



(12) **United States Design Patent** (10) **Patent No.:** **US D938,758 S**  
**Pandit** (45) **Date of Patent:** **\*\* Dec. 21, 2021**

(54) **CAR SEAT HEAD AND NECK SUPPORT FOR CHILD**

(71) Applicant: **Anjadeer LLC**, Frisco, TX (US)  
 (72) Inventor: **Nayanatara Pandit**, Frisco, TX (US)  
 (\*\*) Term: **15 Years**

(21) Appl. No.: **29/710,369**

(22) Filed: **Oct. 22, 2019**

(51) **LOC (13) Cl.** ..... **06-09**

(52) **U.S. Cl.**  
 USPC ..... **D6/601**

(58) **Field of Classification Search**  
 USPC ..... D6/582–583, 587–592, 595–609,  
 D6/617–622; D21/803–809; D24/183  
 CPC ..... A47G 9/00; A47G 2009/001; A47G  
 2009/002; A47G 2009/003; A47G 9/10;  
 A47G 9/1009; A47G 2009/1018; A47G  
 9/1045; A47G 9/1081; A47G 9/109  
 See application file for complete search history.

(56) **References Cited**

**U.S. PATENT DOCUMENTS**

D384,536 S *	10/1997	Kraft	.....	D6/601
6,321,403 B1	11/2001	Matthews		
D459,136 S *	6/2002	Norman	.....	D6/333
D481,247 S *	10/2003	Roberts	.....	A47C 7/383
				D6/604
7,958,582 B1 *	6/2011	Scamardo	.....	B60N 2/885
				5/632
D673,410 S *	1/2013	O'Connell	.....	D6/601
D677,507 S *	3/2013	Rocha	.....	D6/601
D705,431 S *	5/2014	Abramson	.....	D24/184
8,898,840 B1 *	12/2014	Majette	.....	A47C 7/383
				5/637
D769,029 S *	10/2016	Okwumabua	.....	A47C 7/383
				D6/601

(Continued)

**OTHER PUBLICATIONS**

“Boppy Web Page”, <https://www.boppy.com/products/boppy-organic-fabric-head-neck-support>, Jan. 1, 2018.

*Primary Examiner* — Jennifer L Rempfer  
 (74) *Attorney, Agent, or Firm* — Patent GC LLC;  
 Alexander Franco

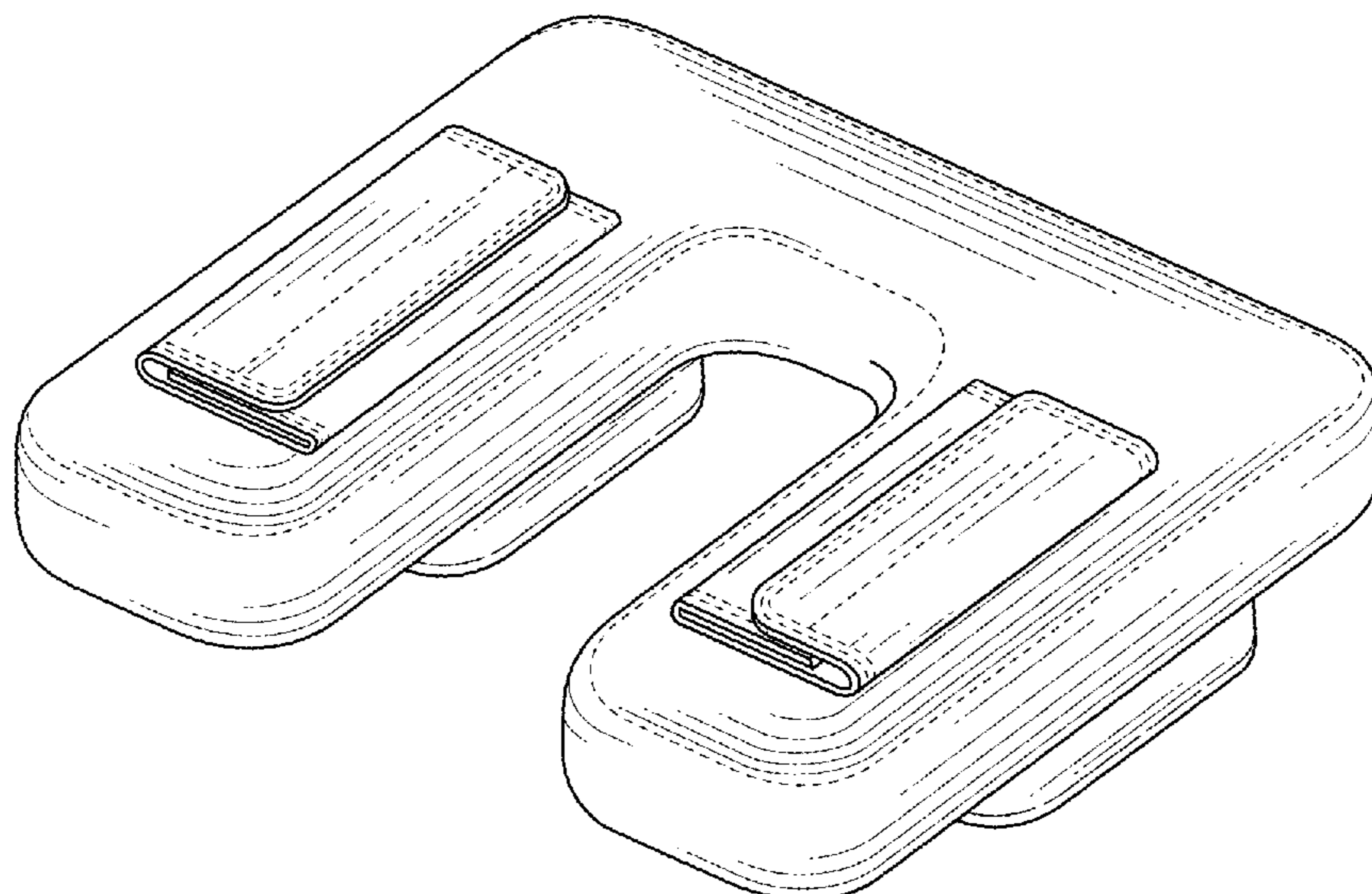
(57) **CLAIM**

The ornamental design for a car seat head and neck support for child, as shown and described.

**DESCRIPTION**

FIG. 1 is a first perspective view showing a back side of a car seat head and neck support for child according to a first embodiment.  
 FIG. 2 is a second perspective view showing a front side thereof.  
 FIG. 3 is a back view thereof.  
 FIG. 4 is a front view thereof.  
 FIG. 5 is a right side view thereof.  
 FIG. 6 is a left side view thereof.  
 FIG. 7 is top view thereof.  
 FIG. 8 is a bottom view thereof.  
 FIG. 9 is a first perspective view showing a back side of a car seat head and neck support for child according to a second embodiment.  
 FIG. 10 is a second perspective view showing a front side thereof.  
 FIG. 11 is a back view thereof.  
 FIG. 12 is a front view thereof.  
 FIG. 13 is a right side view thereof.  
 FIG. 14 is a left side view thereof.  
 FIG. 15 is top view thereof; and,  
 FIG. 16 is a bottom view thereof.  
 In the drawings, broken lines illustrate features of the design that form no part of the claimed design. Surfaces underlying or in between parallel broken line features form part of the claim.

**1 Claim, 12 Drawing Sheets**



(56)

**References Cited**

U.S. PATENT DOCUMENTS

D794,535 S \* 8/2017 Chen ..... D12/215  
D817,031 S \* 5/2018 Denat ..... D6/601  
D862,115 S \* 10/2019 Kelber ..... D6/601  
D897,734 S \* 10/2020 Moffett ..... D6/601  
2008/0104764 A1\* 5/2008 Chen ..... A47C 7/383  
5/644  
2009/0013471 A1\* 1/2009 Yang ..... A47C 27/086  
5/640  
2013/0232693 A1\* 9/2013 Myers ..... A47C 7/383  
5/636  
2016/0029821 A1\* 2/2016 Atkinson ..... A47G 9/1081  
5/636  
2017/0042332 A1\* 2/2017 Atkinson ..... A47C 7/383  
2020/0077802 A1\* 3/2020 Blanc ..... A47G 9/1027  
2020/0288877 A1\* 9/2020 Duong ..... A47G 9/10

\* cited by examiner

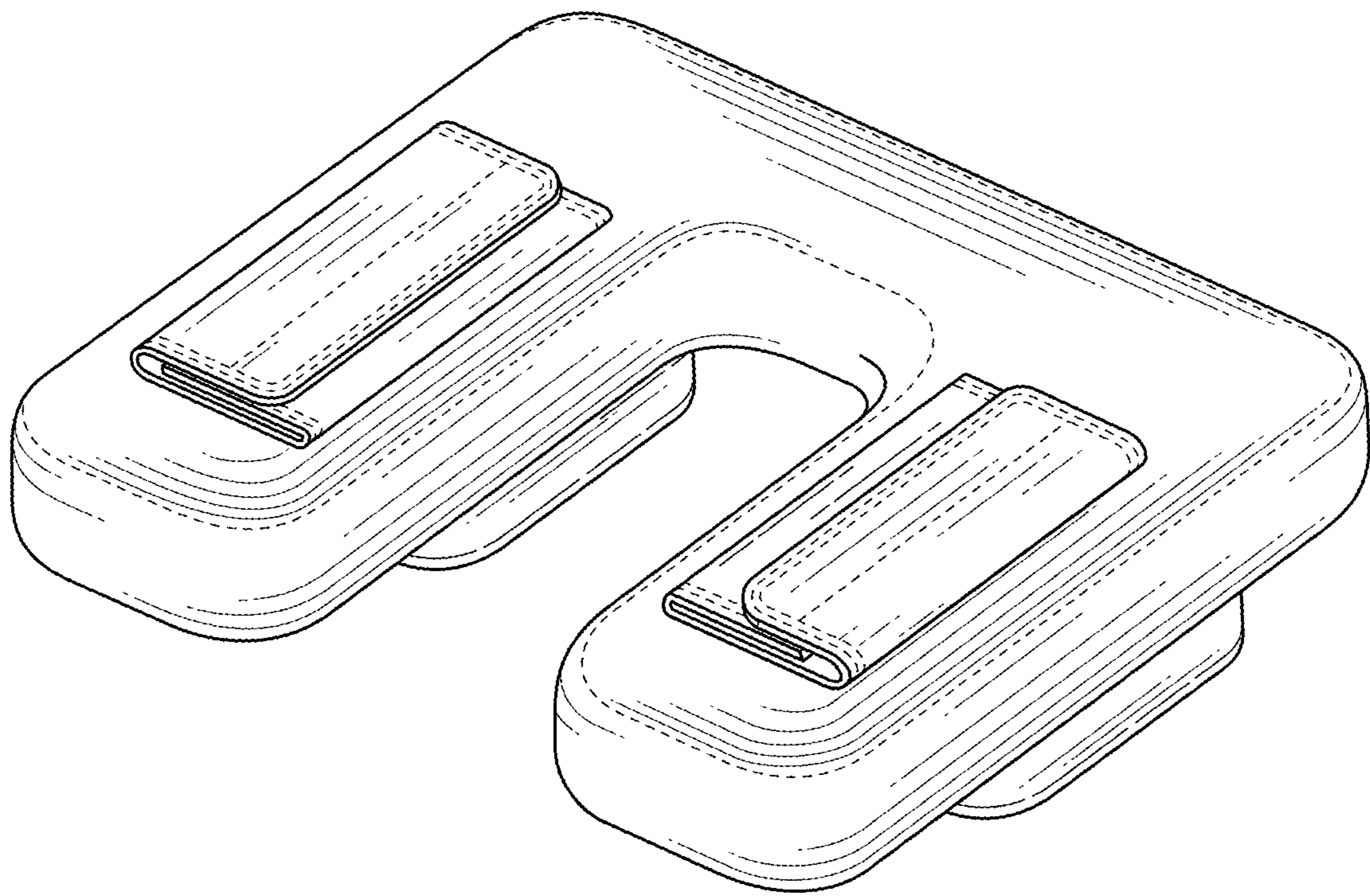


FIG. 1

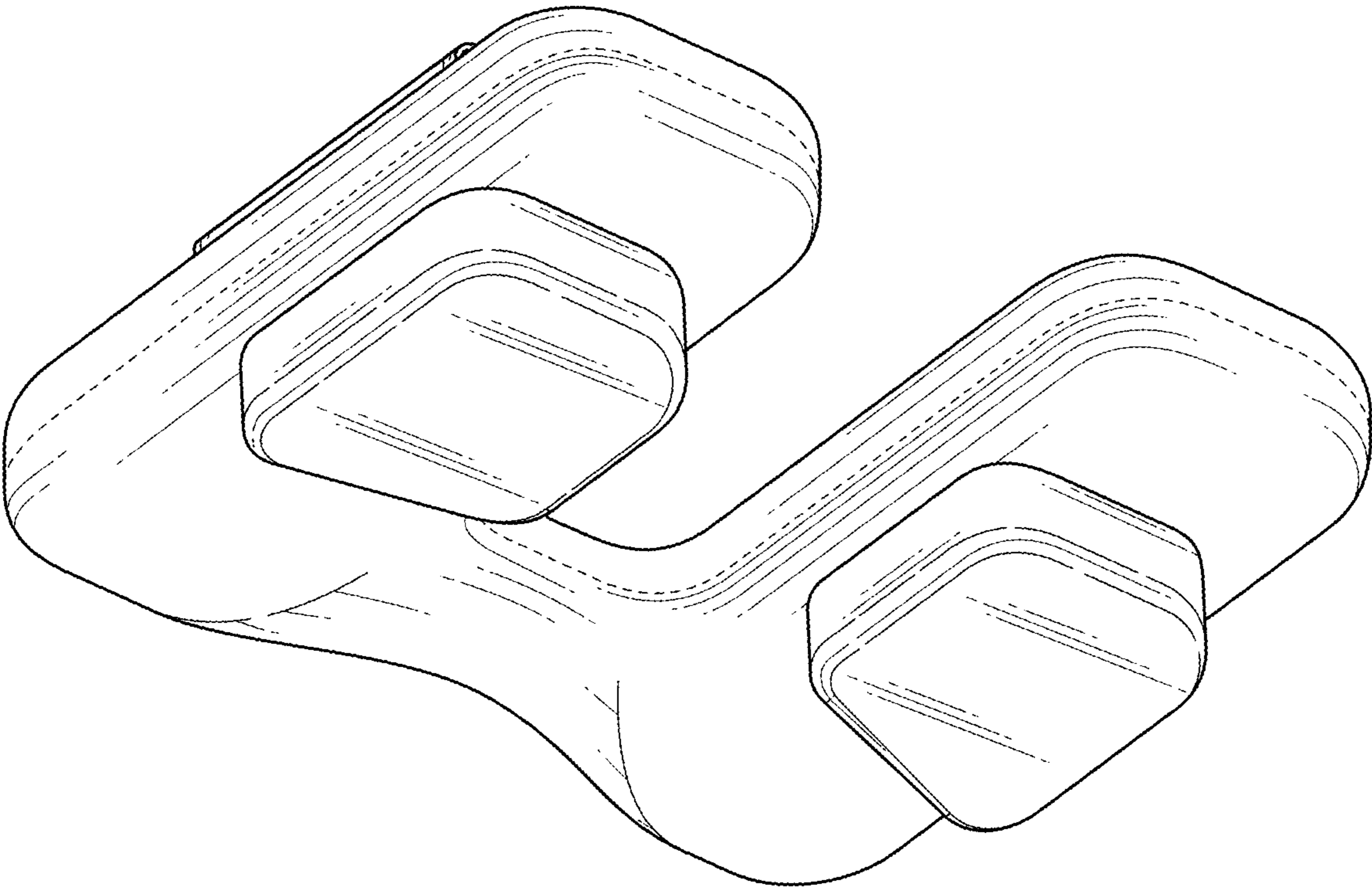


FIG. 2

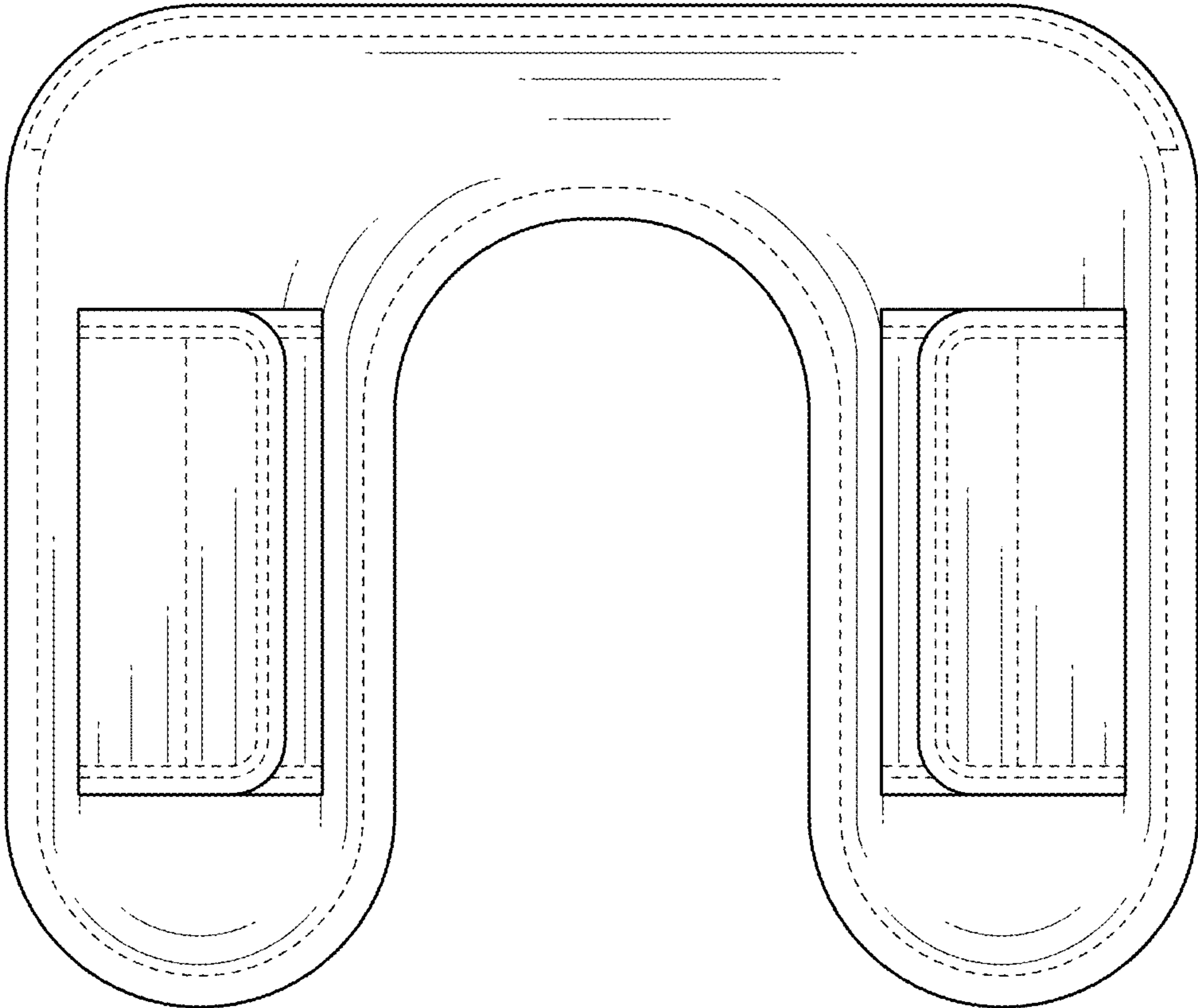


FIG. 3

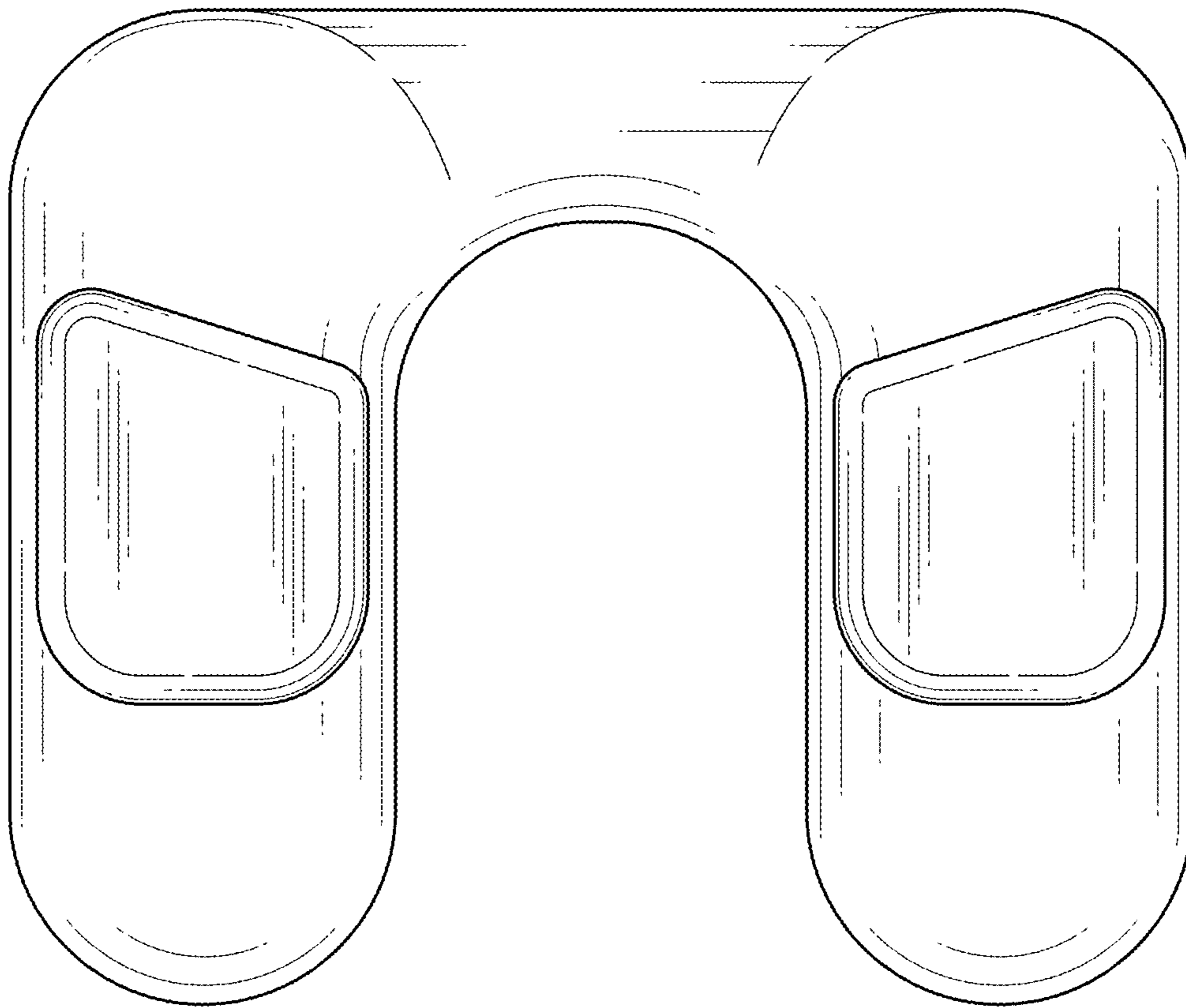


FIG. 4

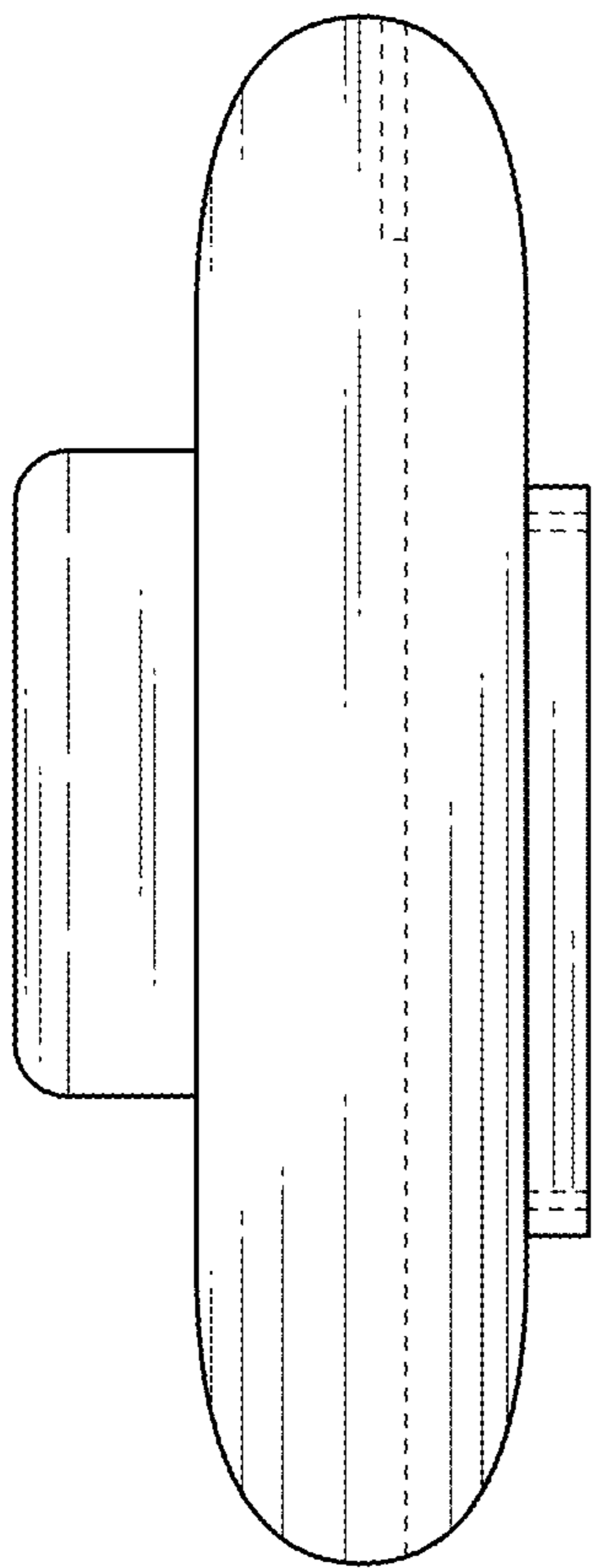


FIG. 5

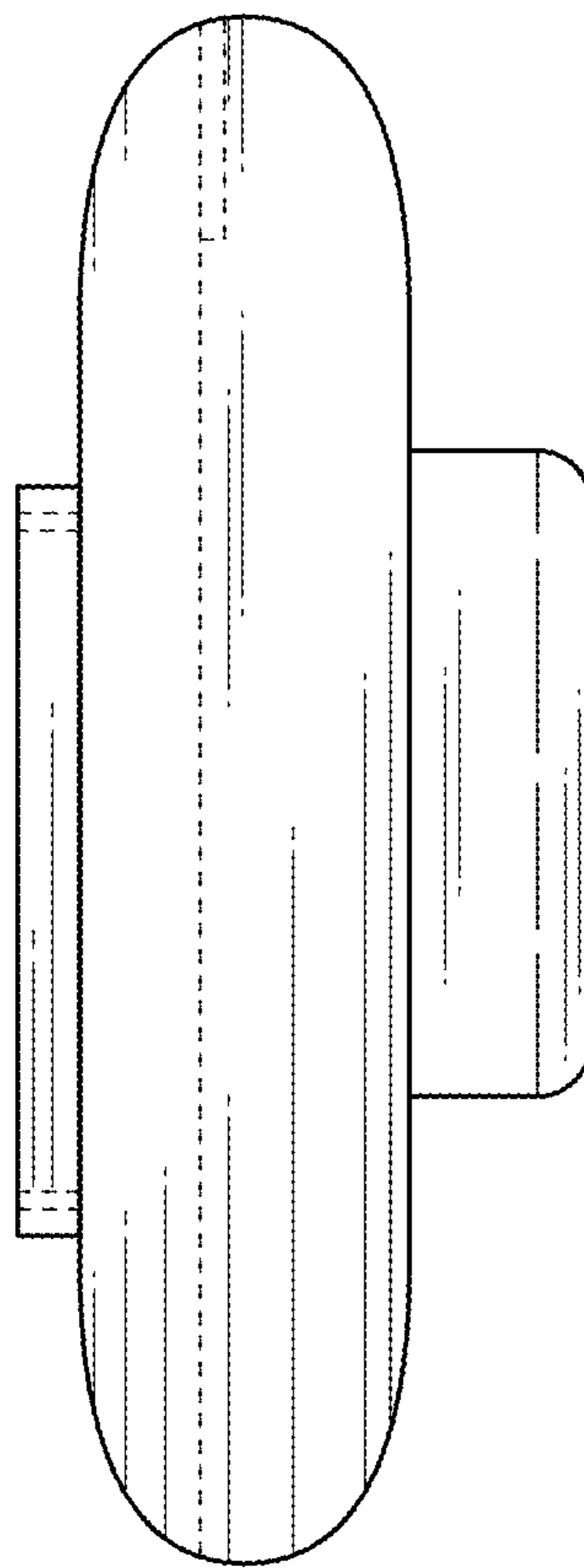


FIG. 6

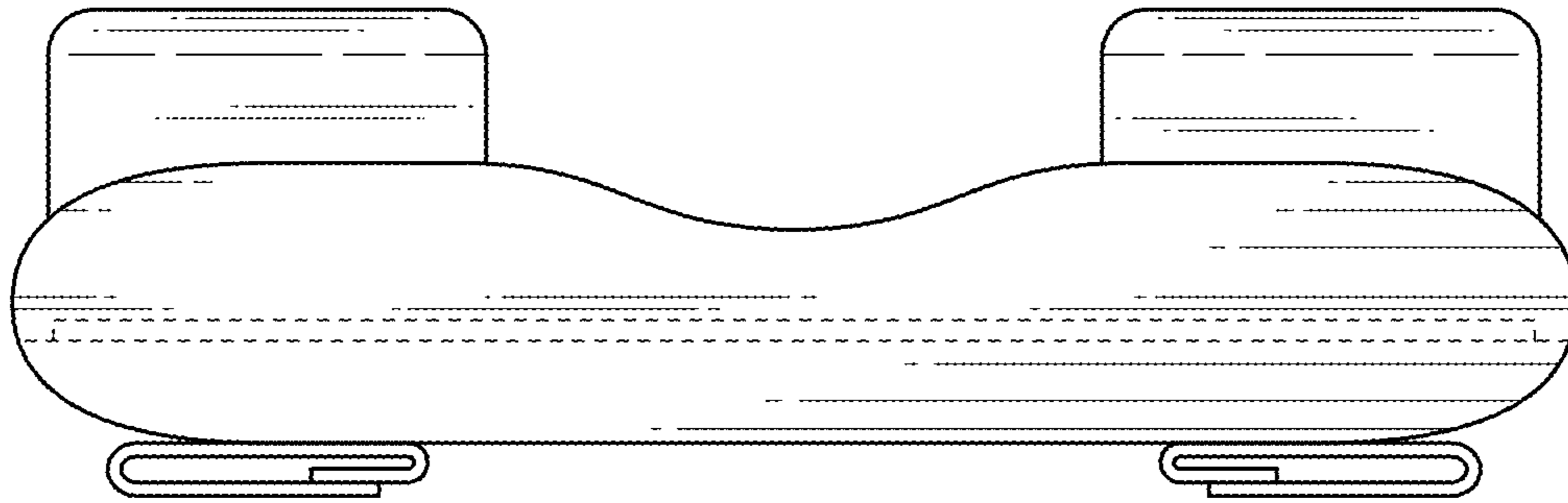


FIG. 7

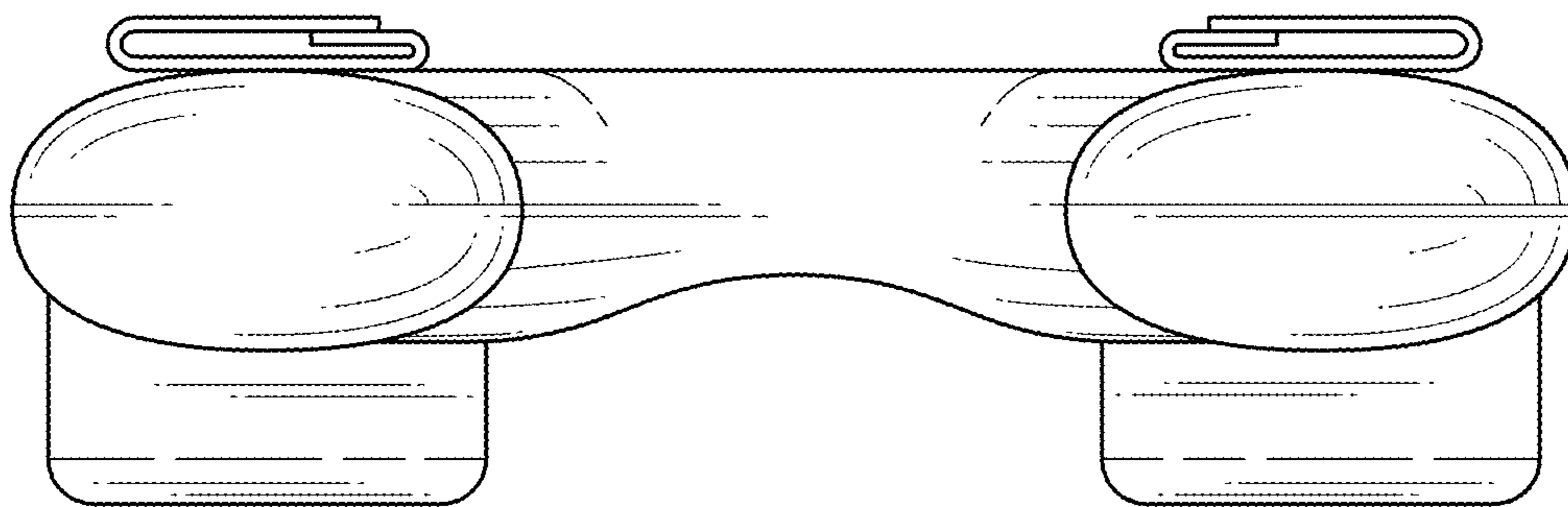


FIG. 8



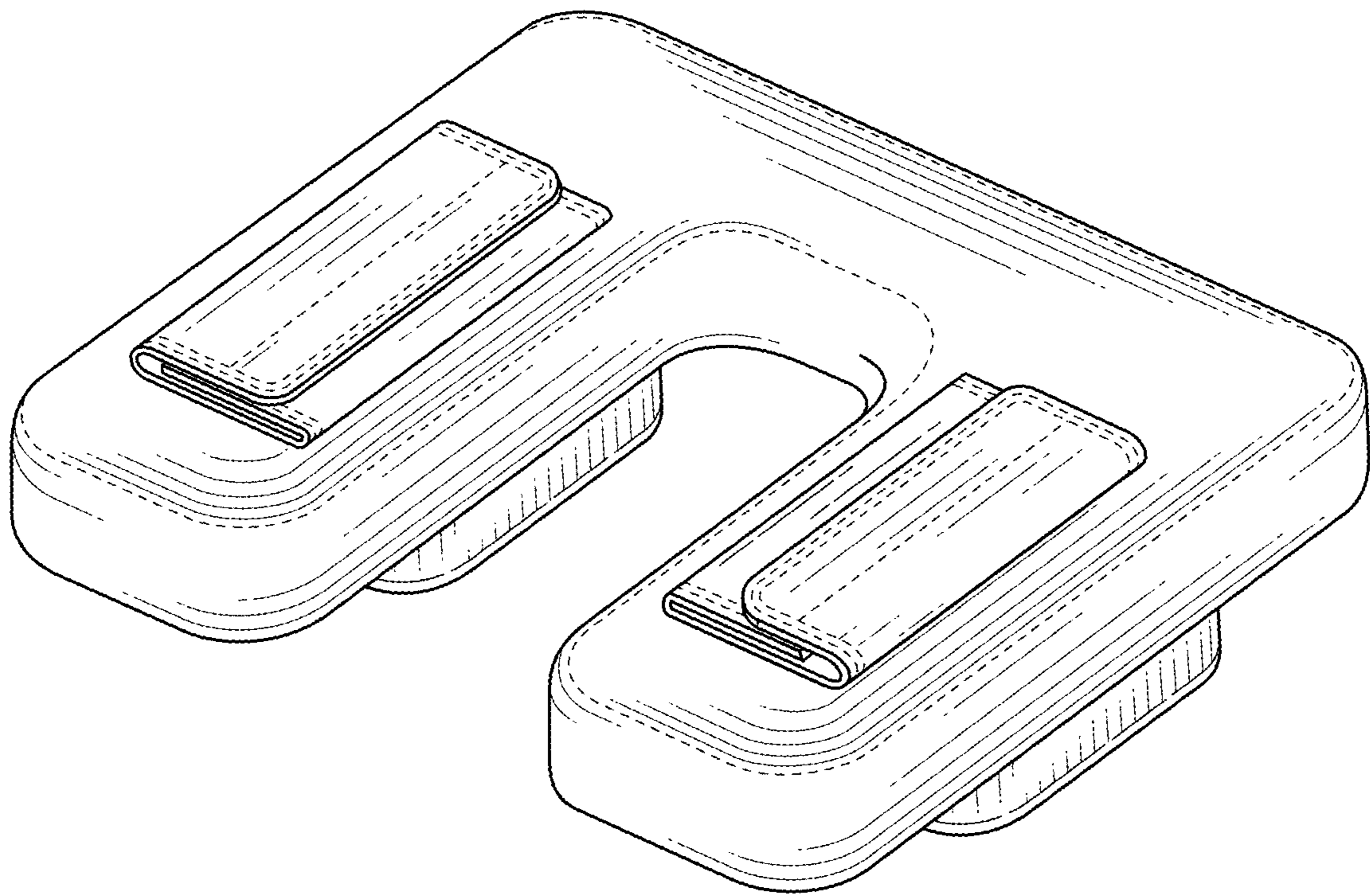


FIG. 9

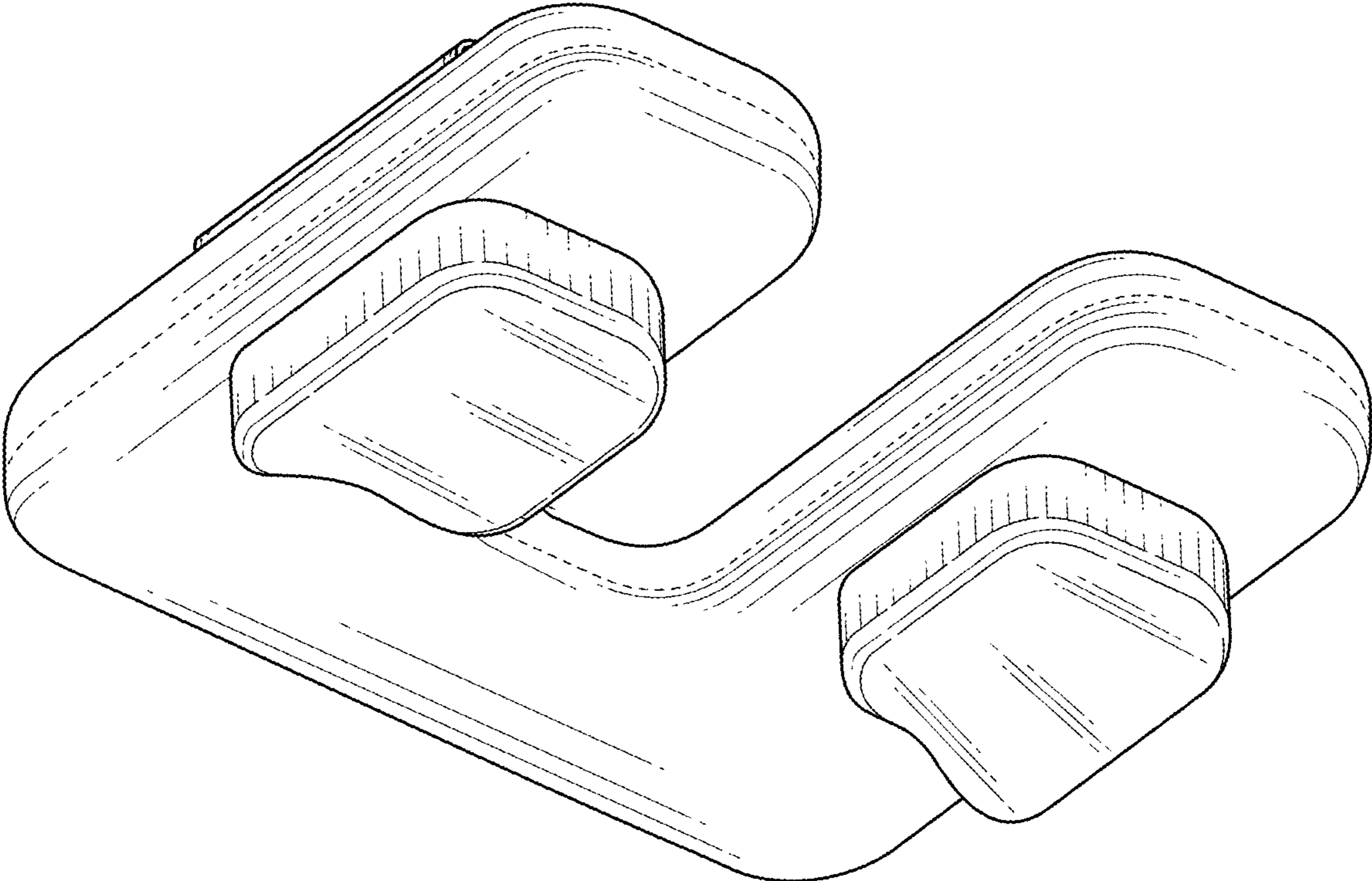


FIG. 10

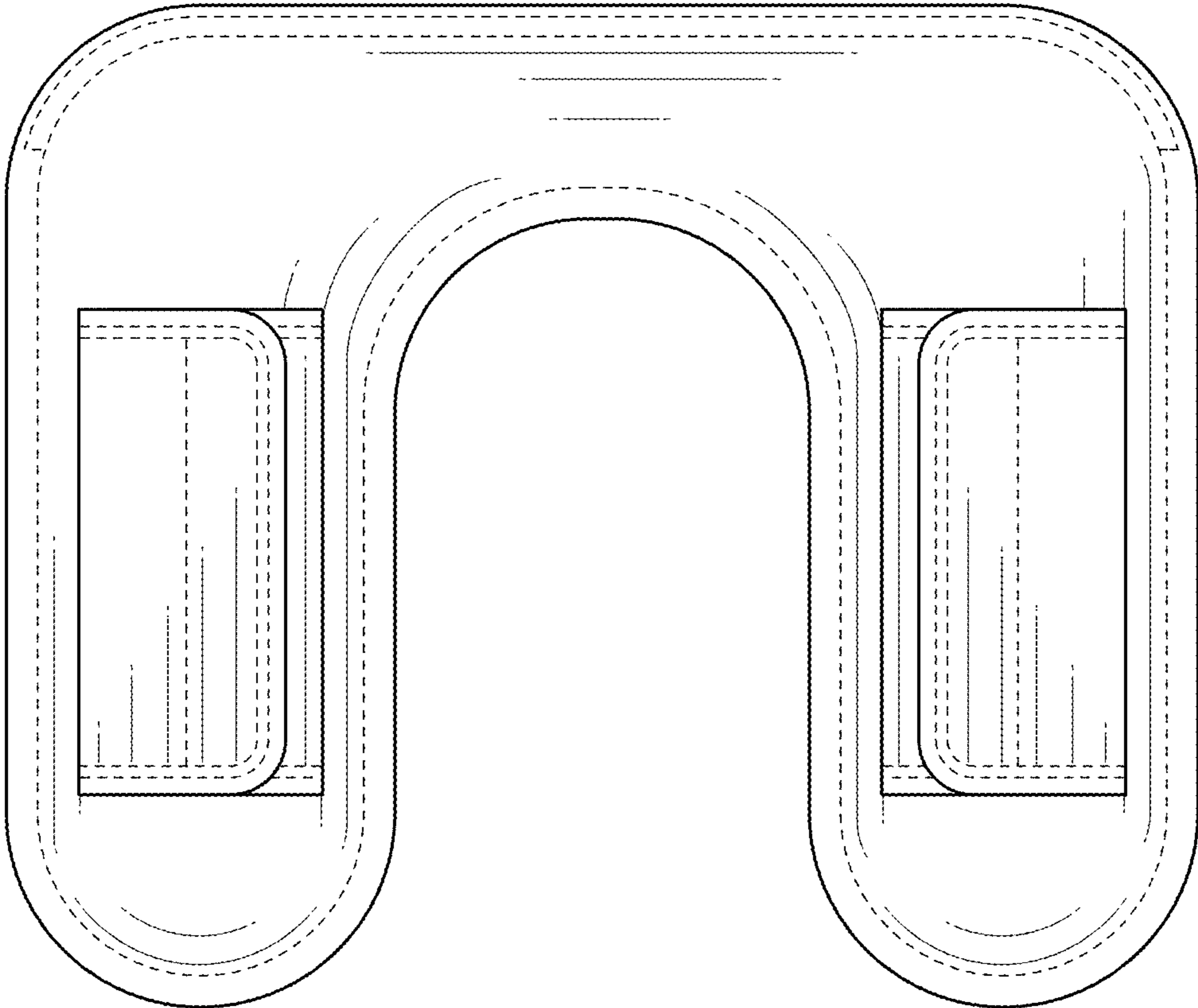


FIG. 11

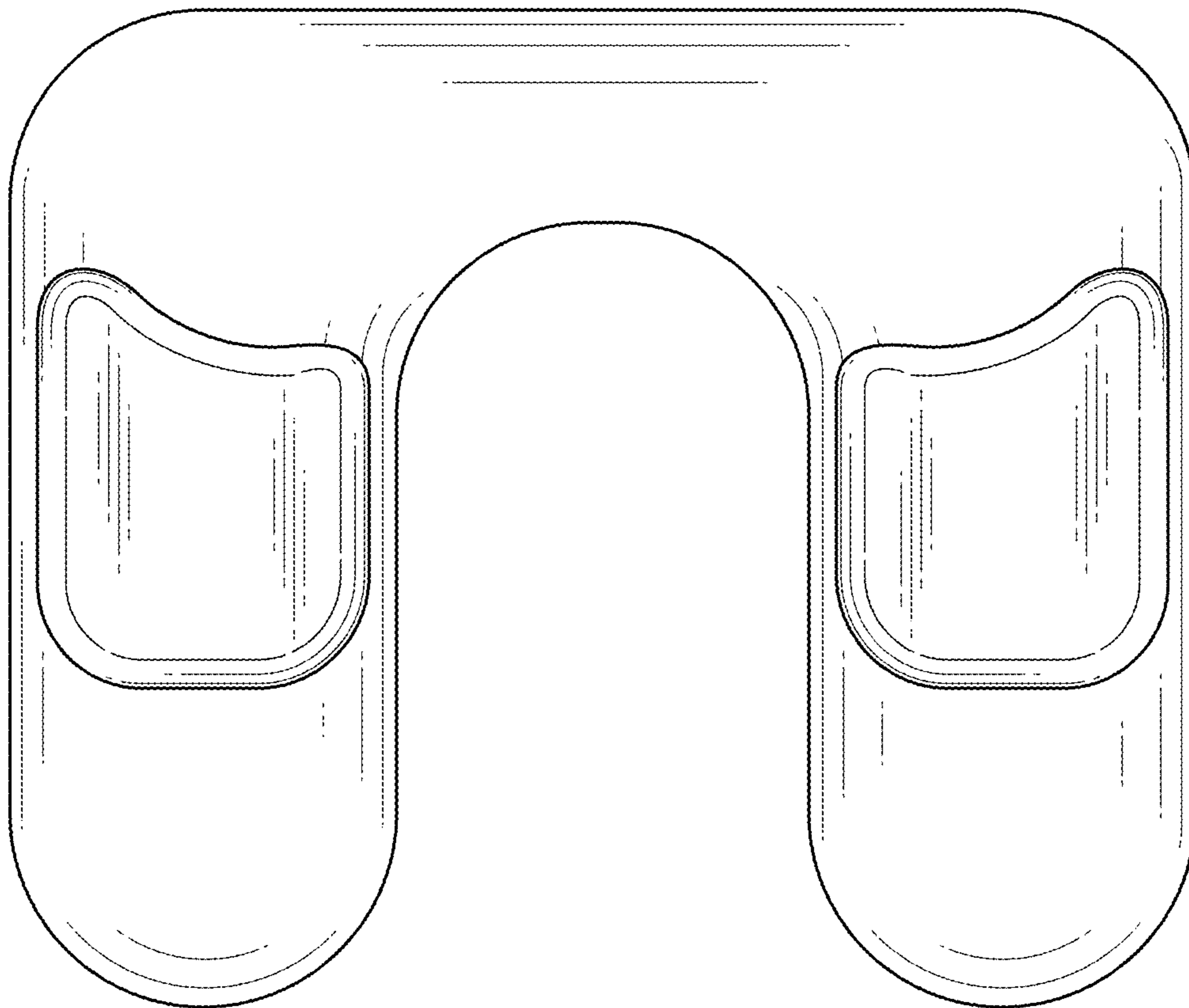


FIG. 12

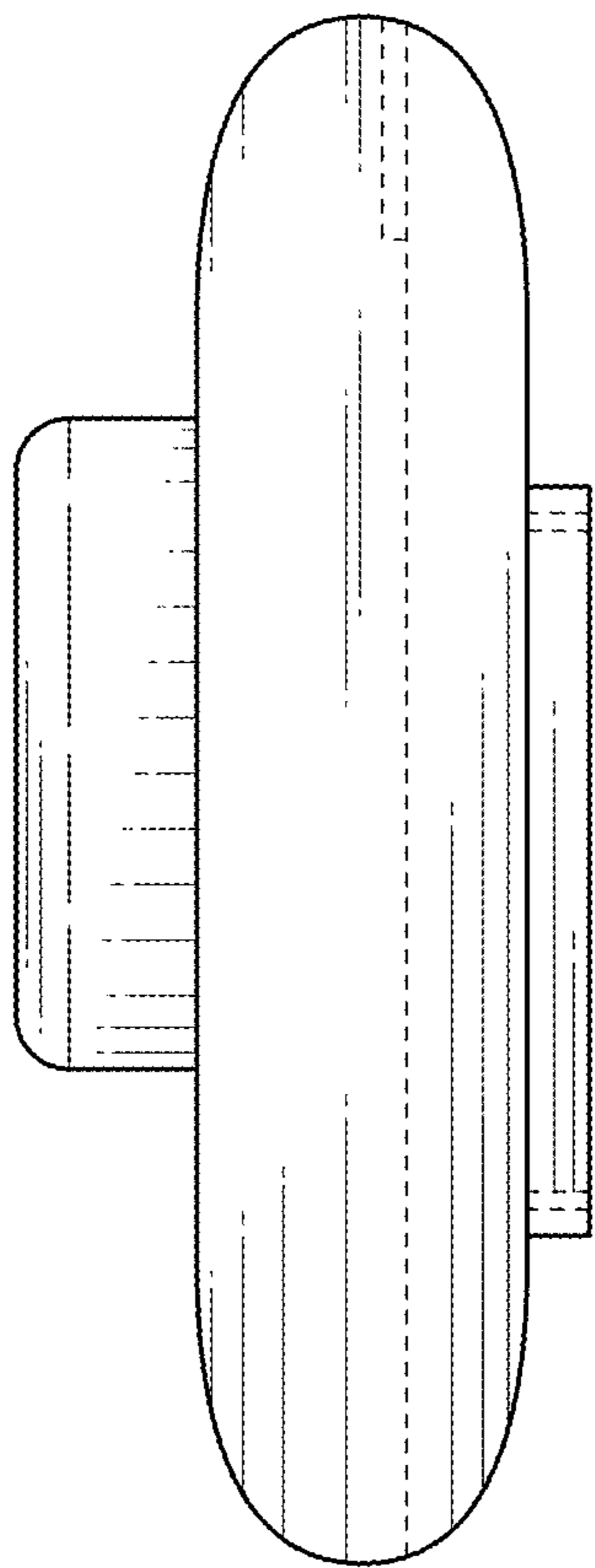


FIG. 13

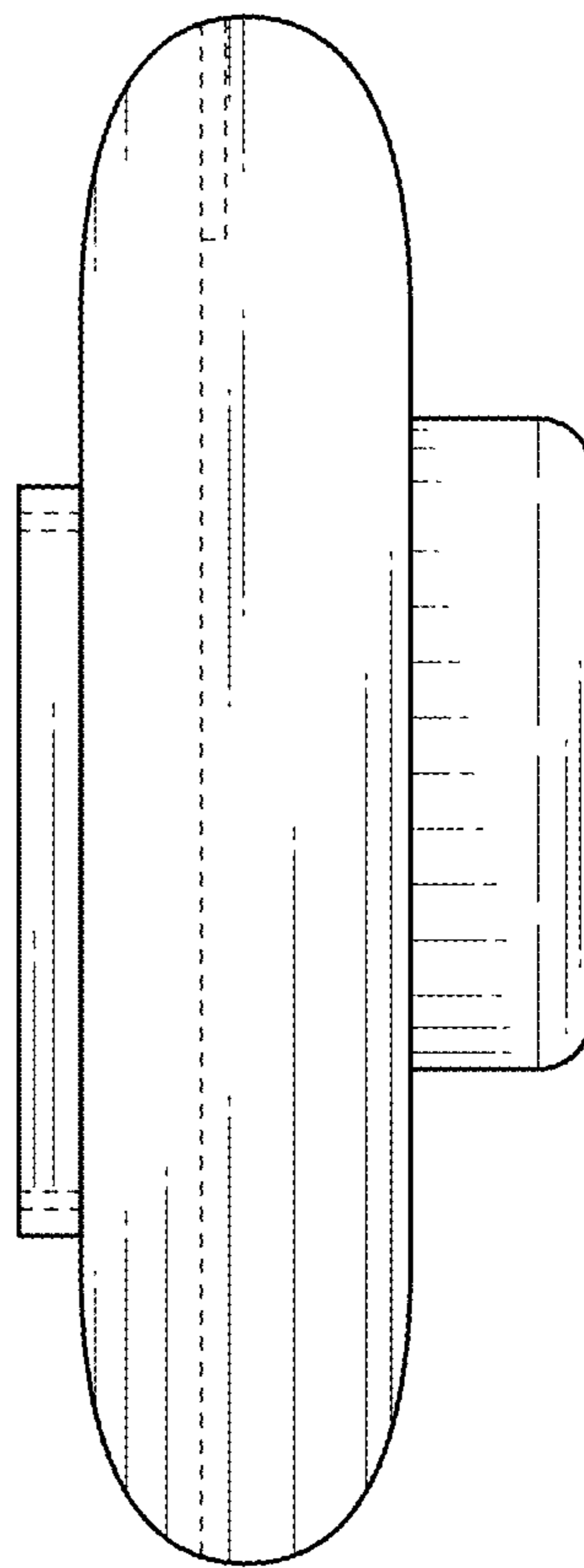


FIG. 14

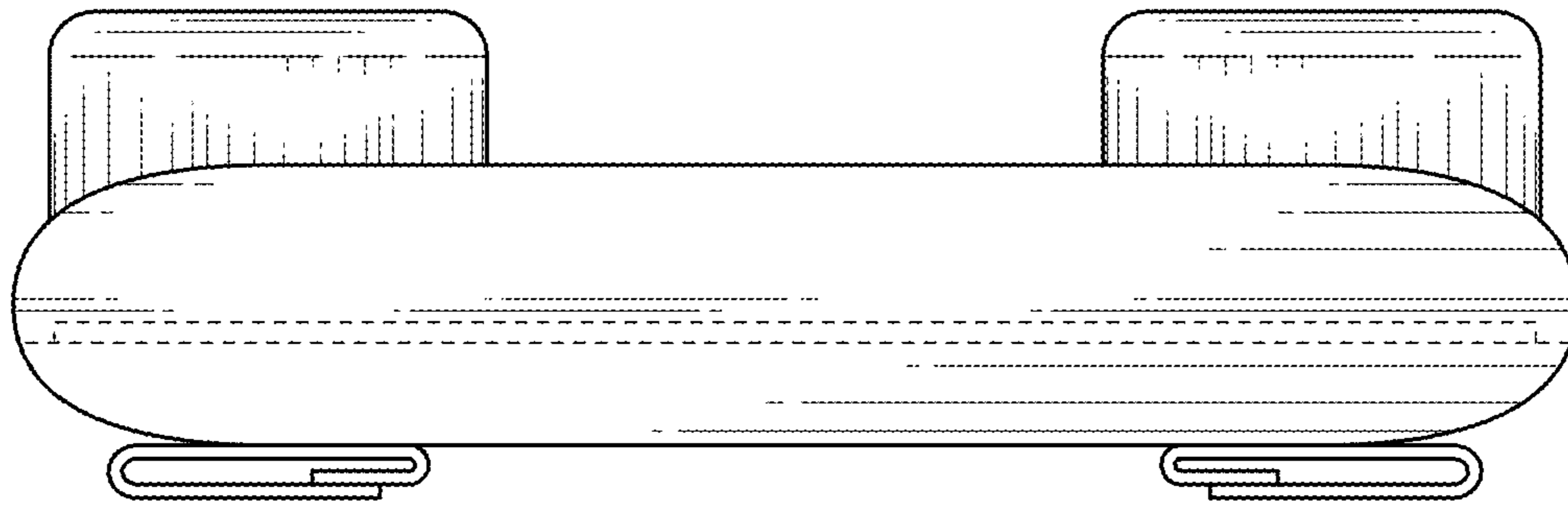


FIG. 15

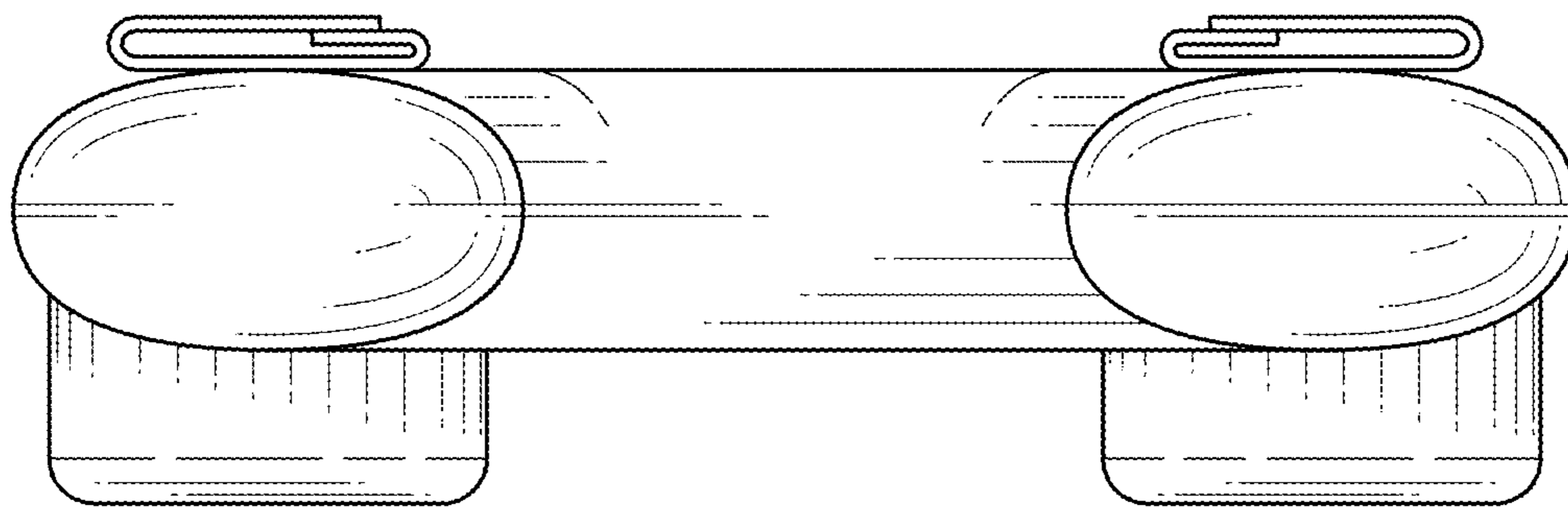


FIG. 16