



US00D938753S

(12) **United States Design Patent**
Perlman

(10) **Patent No.:** **US D938,753 S**
(45) **Date of Patent:** **** Dec. 21, 2021**

(54) **DISPENSER SYSTEM FOR PERSONAL CARE LIQUIDS**

3,200,817 A 8/1965 Brainard
3,342,379 A 9/1967 Foley
3,955,715 A * 5/1976 Topor A47K 5/12
222/143

(71) Applicant: **Blue Chip Group, LLC**, Miami, FL (US)

3,990,611 A 11/1976 Sojka
D297,086 S 8/1988 Paphis
4,998,647 A * 3/1991 Sharp A47K 5/1214
211/113

(72) Inventor: **Zachary T. Perlman**, Miami, FL (US)

(73) Assignee: **Blue Chip Group, LLC**, Miami, FL (US)

5,325,998 A 7/1994 Bennett
5,649,643 A * 7/1997 Ridgeway A47K 5/12
222/105

(**) Term: **15 Years**

D399,085 S 10/1998 Warshawsky
D416,418 S 11/1999 Kampe et al.
(Continued)

(21) Appl. No.: **29/736,596**

FOREIGN PATENT DOCUMENTS

(22) Filed: **Jun. 1, 2020**

CA 2720930 A1 * 5/2011 A47K 5/12
DE 29719331 U1 * 12/1997 A47K 5/1209
WO WO-2015178917 A1 * 11/2015 B05B 11/3045

Related U.S. Application Data

(62) Division of application No. 29/660,805, filed on Aug. 22, 2018, now Pat. No. Des. 889,277.

Primary Examiner — Catherine A Tuttle

(51) **LOC (13) Cl.** **06-04**

(74) *Attorney, Agent, or Firm* — Daniel C. Crilly

(52) **U.S. Cl.**

(57) **CLAIM**

USPC **D6/544**; D6/545; D9/684

The ornamental design for a dispenser system for personal care liquids, as shown and described.

(58) **Field of Classification Search**

DESCRIPTION

USPC D6/542–545; D9/682–694, 719, 730, D9/738–741, 747, 751, 501, 504, 516, D9/517, 520, 521, 529

FIG. 1 is a front perspective view of a dispenser system for personal care liquids.

CPC A47K 5/06–13; A47K 5/14; A47K 5/16;

FIG. 2 is a front elevational view thereof.

A47K 5/18; B65D 1/0223; B65D 1/06;

FIG. 3 is a rear elevational view thereof.

B65D 1/40; B65D 2501/0081; B65D

FIG. 4 is a top plan view thereof.

83/14; B65D 83/16; B65D 83/20; B65D

FIG. 5 is a bottom plan view thereof.

83/205; B65D 83/38; B65D 83/384;

FIG. 6 is a left side elevational view thereof.

B65D 83/386; B65D 83/40; B05B

FIG. 7 is a right side elevational view thereof; and,

11/00–3098

FIG. 8 is a front perspective view thereof in an exemplary position of use as secured to a tiled wall.

See application file for complete search history.

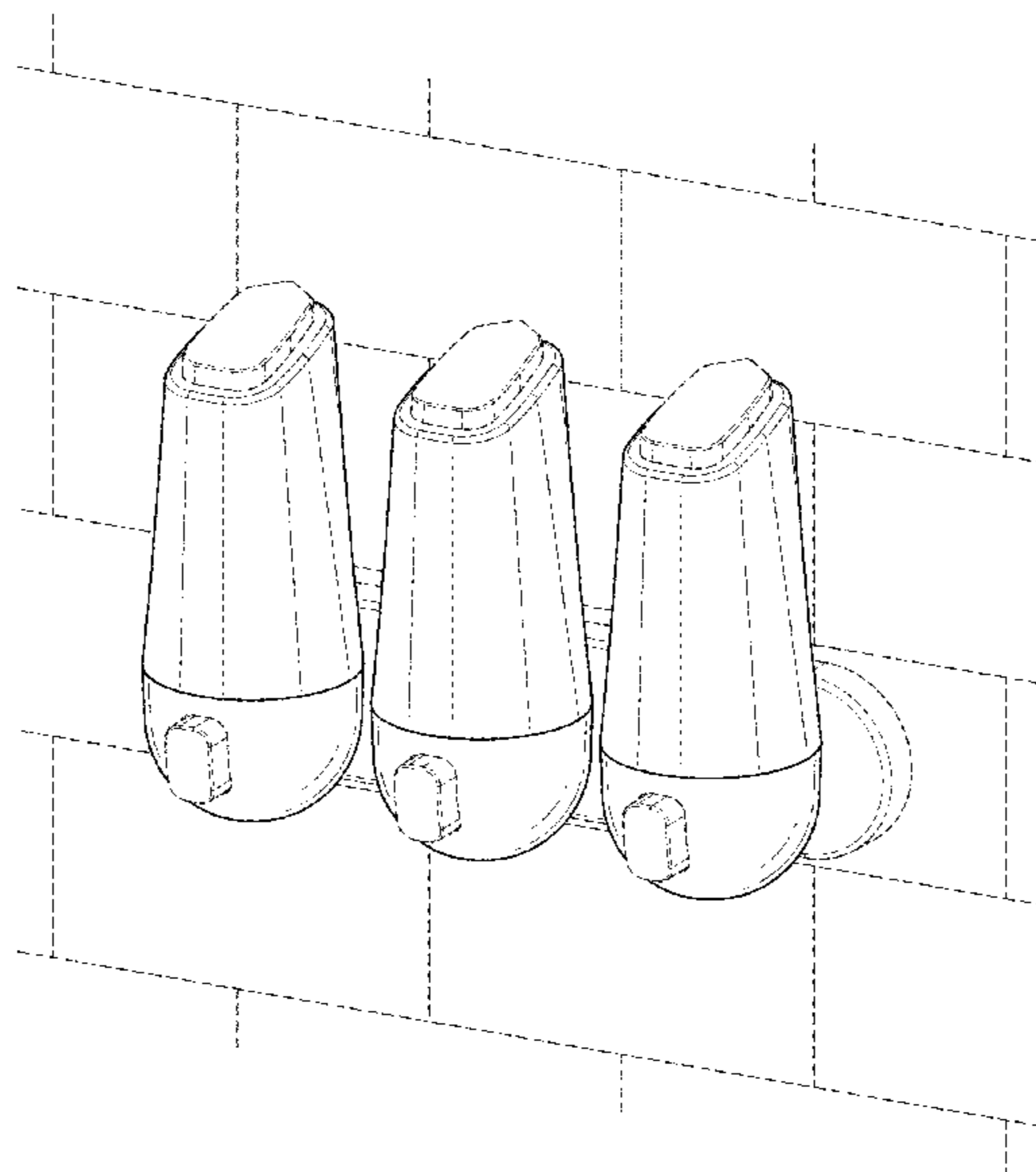
The structures and features shown in broken lines in FIGS. 1-8 form no part of the claimed design.

(56) **References Cited**

U.S. PATENT DOCUMENTS

D46,280 S 8/1914 Hansen
D197,308 S 1/1964 Sterges

1 Claim, 5 Drawing Sheets



(56)

References Cited

U.S. PATENT DOCUMENTS

6,082,593	A *	7/2000	Borcherds	A47K 5/1207 222/181.3
D447,659	S	9/2001	Middendorp	
D465,149	S	11/2002	Bennett et al.	
D476,224	S	6/2003	de Baschmakoff et al.	
D540,170	S	4/2007	Canamasas Puigbo	
D602,374	S	10/2009	Gilliard	
D618,103	S	6/2010	Leventhal	
D639,591	S	6/2011	Wallace	
D641,192	S	7/2011	Wisniewski	
D650,290	S	12/2011	Davis et al.	
D668,552	S	10/2012	Wisniewski	
D708,524	S	7/2014	White et al.	
D717,665	S	11/2014	Dubitsky et al.	
D735,039	S	7/2015	Pires et al.	
D736,095	S	8/2015	Brochado et al.	
D764,832	S	8/2016	Douterloigne	
D815,531	S	4/2018	Wahl et al.	
D846,911	S	4/2019	Zhadanov et al.	
10,568,470	B2 *	2/2020	Kling	A47K 5/1217
2007/0289987	A1 *	12/2007	Tramontina	A47K 5/12 221/96

* cited by examiner

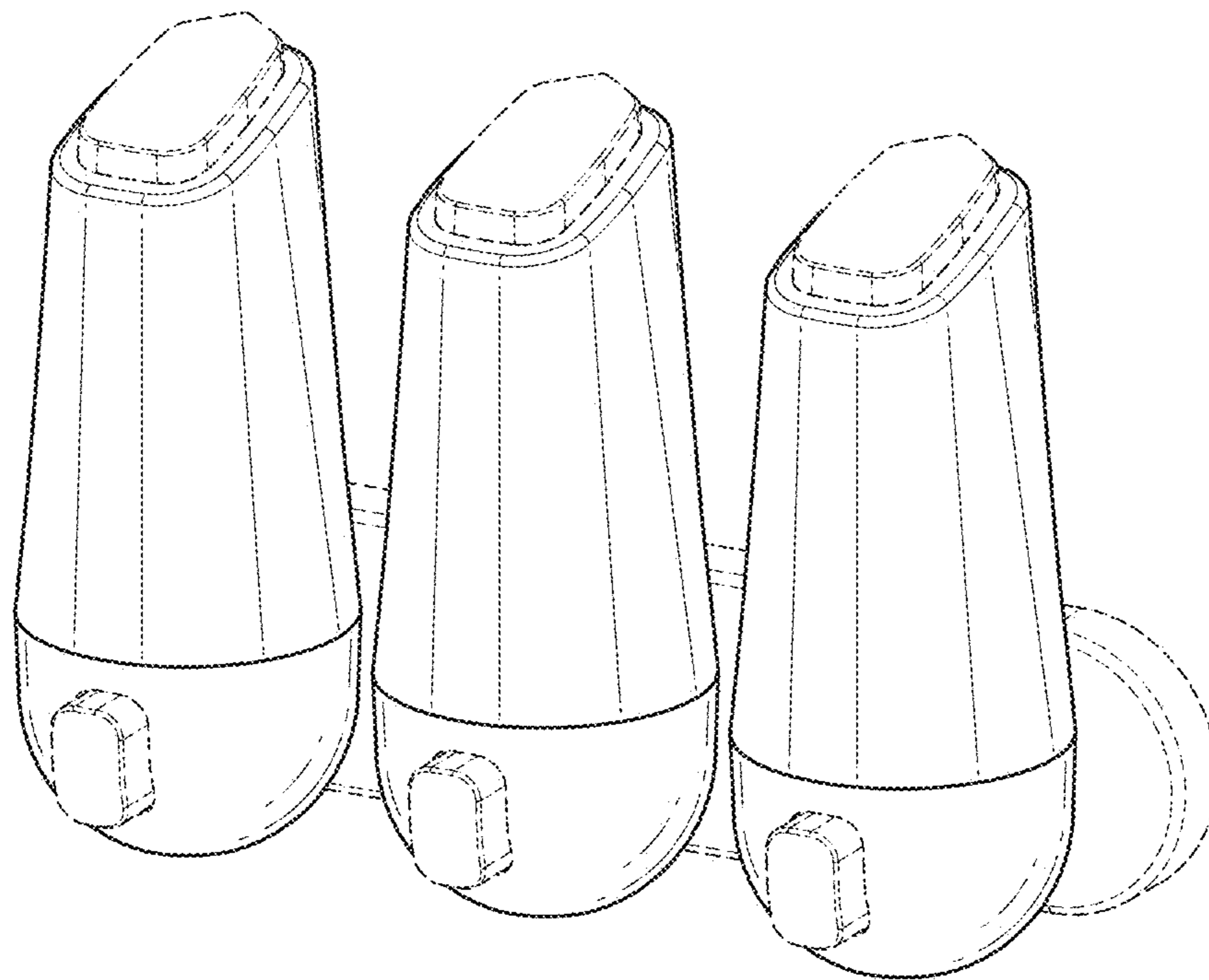


FIG. 1

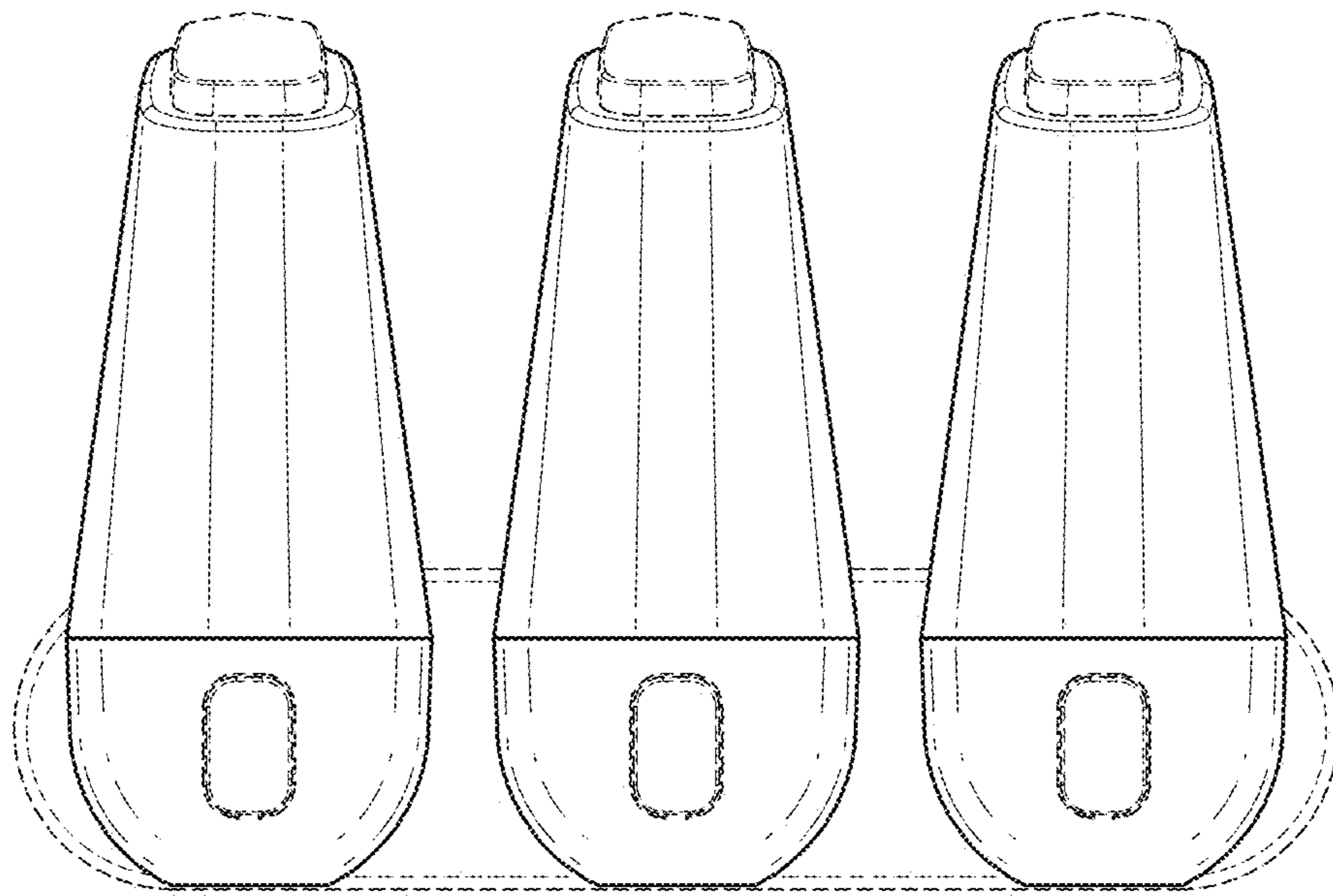


FIG. 2

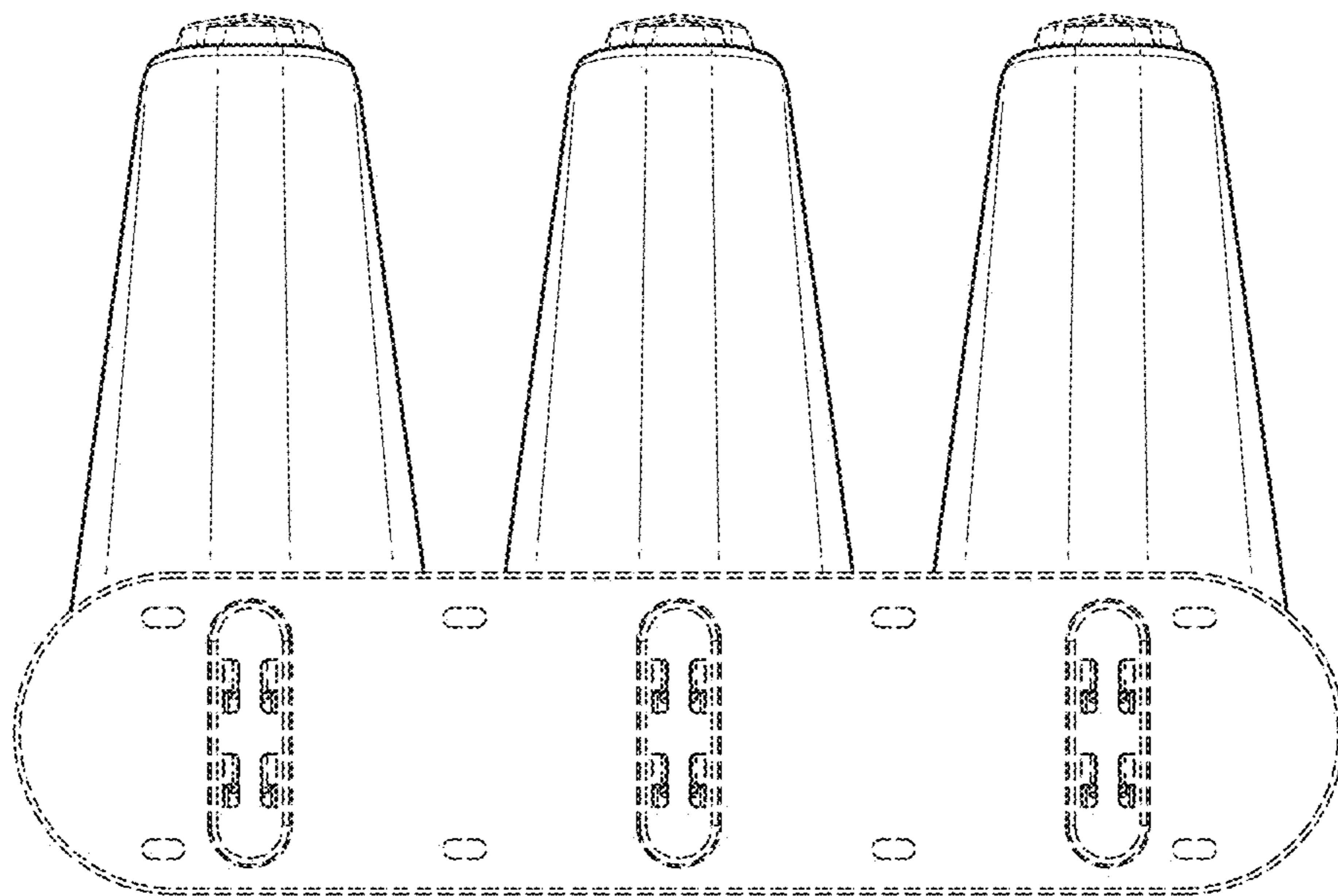


FIG. 3

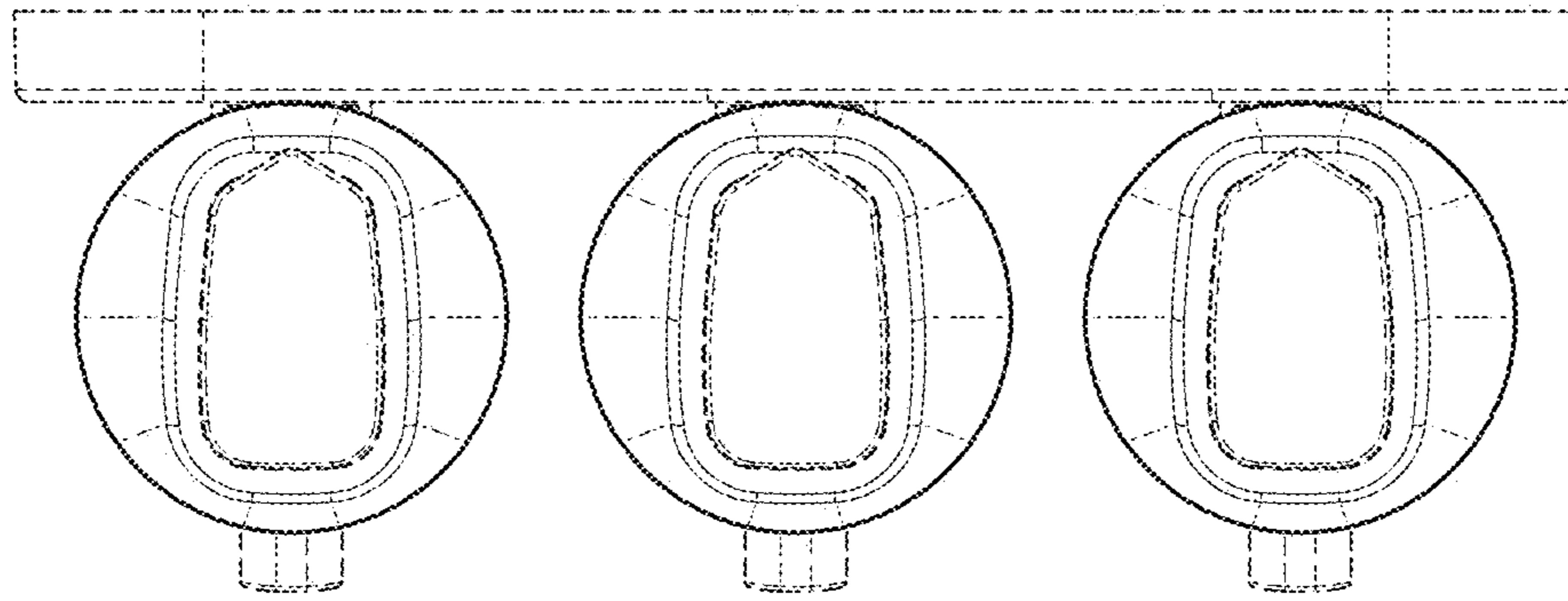


FIG. 4

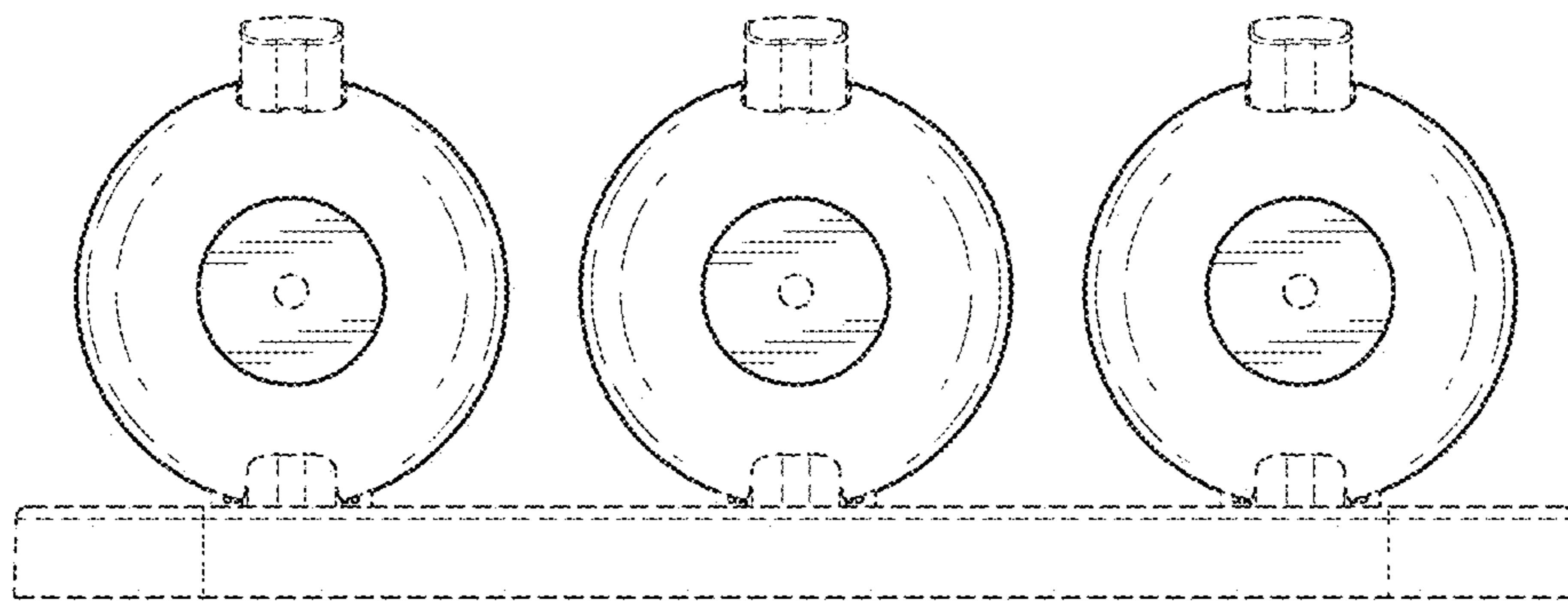


FIG. 5

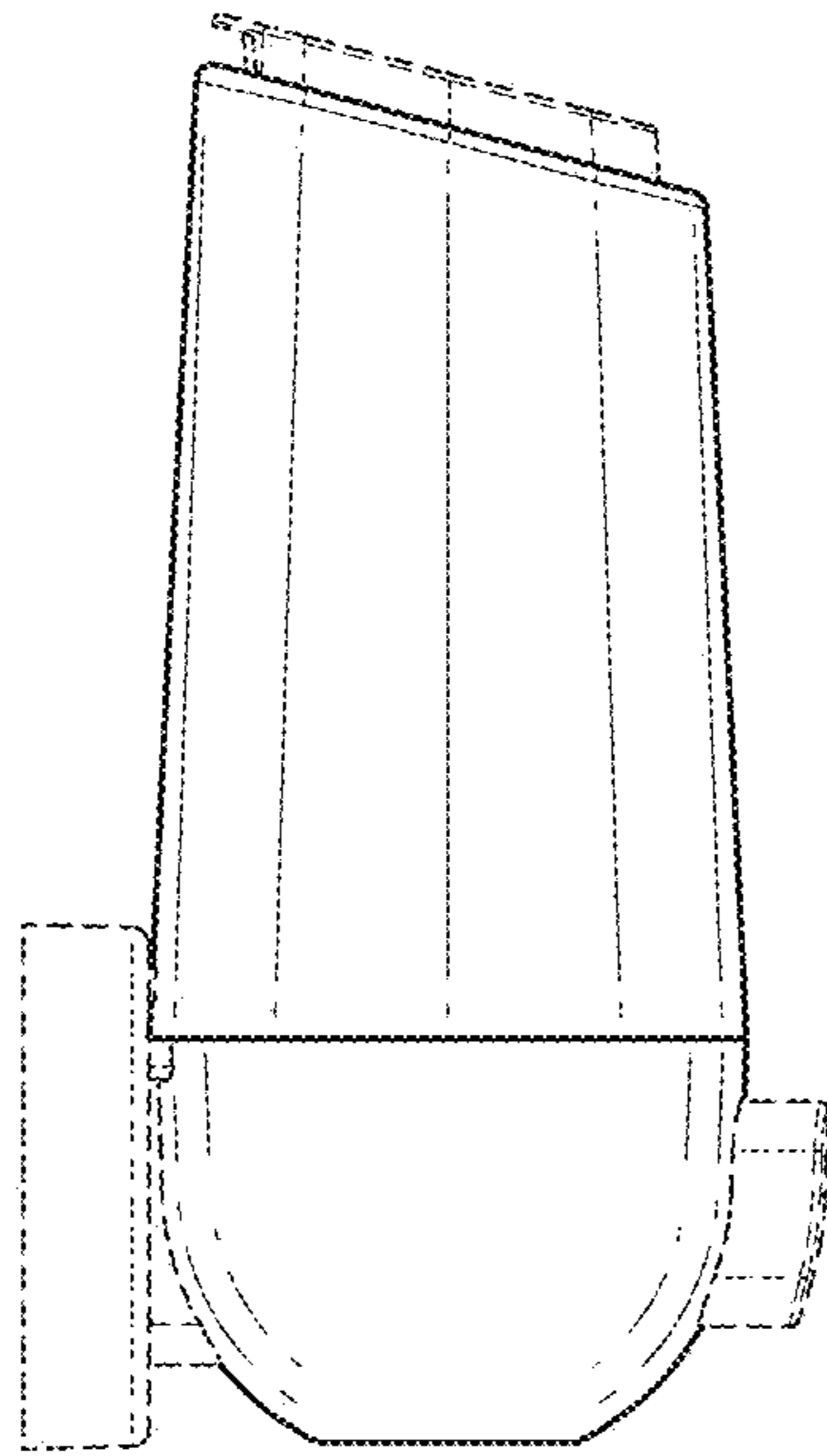


FIG. 6

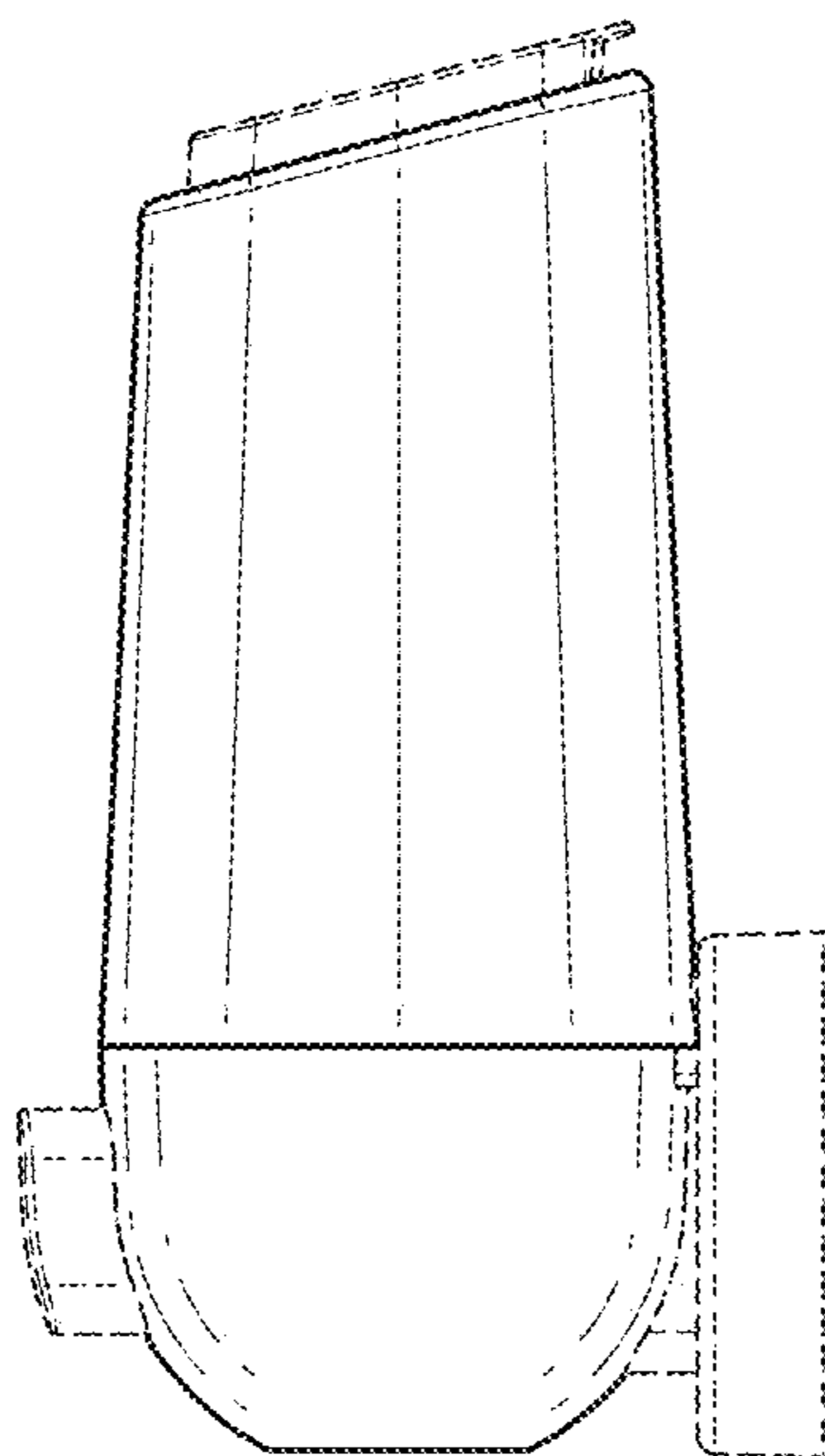


FIG. 7

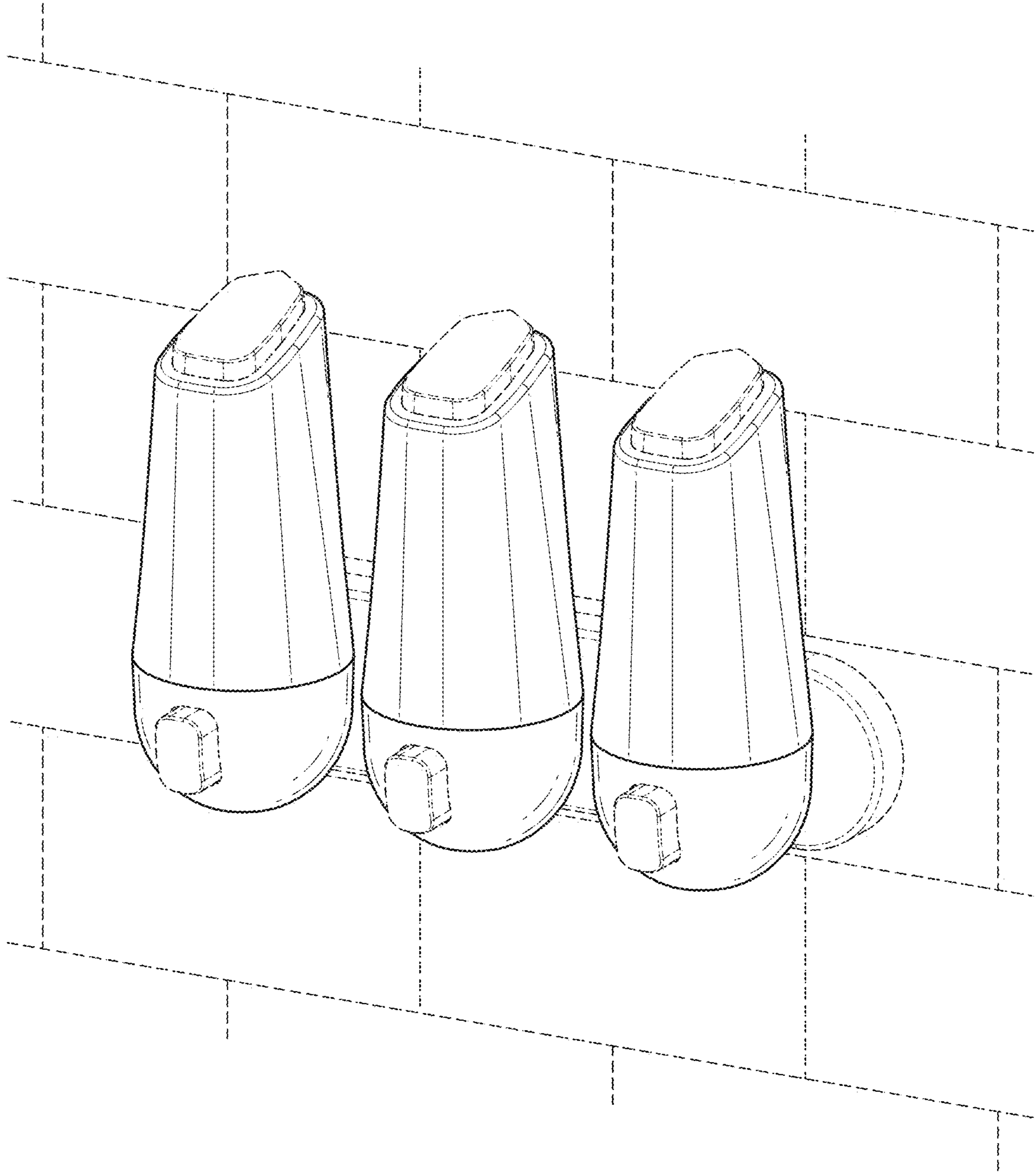


FIG. 8