



US00D938737S

(12) **United States Design Patent** (10) **Patent No.:** **US D938,737 S**  
**Miller** (45) **Date of Patent:** **\*\* Dec. 21, 2021**

(54) **COSMETIC BRUSH HANDLE**  
(71) Applicant: **Anisa International, Inc.**, Atlanta, GA (US)  
(72) Inventor: **NaTasha Tameika Miller**, Atlanta, GA (US)  
(73) Assignee: **Anisa International, Inc.**, Atlanta, GA (US)  
(\*\*) Term: **15 Years**

D757,441 S 5/2016 Hwang  
D758,742 S 6/2016 Nicoline  
D776,440 S 1/2017 Jain  
D776,941 S 1/2017 Nicoline  
D788,471 S 6/2017 Dunaway  
D801,058 S 10/2017 Xavier et al.  
D821,760 S 7/2018 Yan  
D826,573 S 8/2018 Nicoline et al.  
D827,308 S 9/2018 Nicoline  
D827,309 S 9/2018 Nicoline  
D827,310 S 9/2018 Allenback  
D829,006 S 9/2018 Richards  
D831,970 S \* 10/2018 Nicoline ..... D4/130

(Continued)

(21) Appl. No.: **29/731,025**  
(22) Filed: **Apr. 10, 2020**

**Related U.S. Application Data**

(63) Continuation of application No. 29/701,542, filed on Aug. 13, 2019, which is a continuation of application No. 29/615,495, filed on Aug. 29, 2016, now Pat. No. Des. 861,627.  
(51) **LOC (13) Cl.** ..... **04-02**  
(52) **U.S. Cl.**  
USPC ..... **D4/138**  
(58) **Field of Classification Search**  
USPC ..... D4/127, 130, 132, 133, 134, 135, 136, D4/137, 138, 199; D28/7  
CPC .. A46B 5/02; A46B 9/02; A46B 9/021; A46B 2200/1046  
See application file for complete search history.

(56) **References Cited**

**U.S. PATENT DOCUMENTS**

5,926,903 A 7/1999 Kim  
6,039,051 A 3/2000 Dorf  
D450,930 S 11/2001 Mink et al.  
D454,001 S 3/2002 Mink et al.  
D714,558 S 10/2014 Mink  
D749,858 S 2/2016 Snook  
D749,859 S 2/2016 Snook

**OTHER PUBLICATIONS**

Miller, NaTasha Tameika; Notice of Allowance for U.S. Appl. No. 29/615,495, filed Aug. 29, 2017, dated May 13, 2019, 5 pgs.

(Continued)

*Primary Examiner* — Karen E Eldridge Powers  
(74) *Attorney, Agent, or Firm* — Taylor English Duma LLP

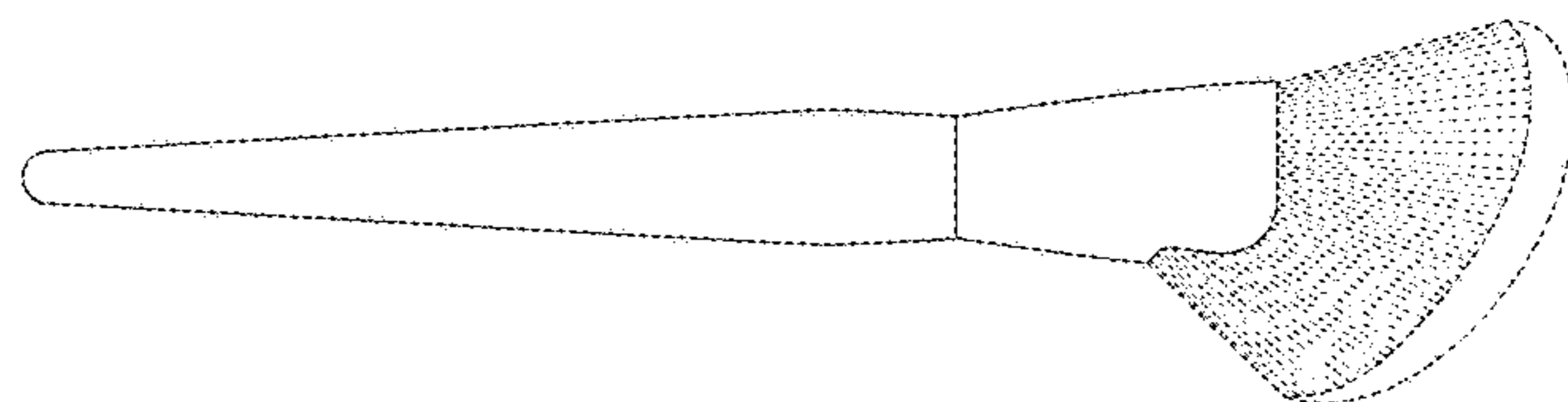
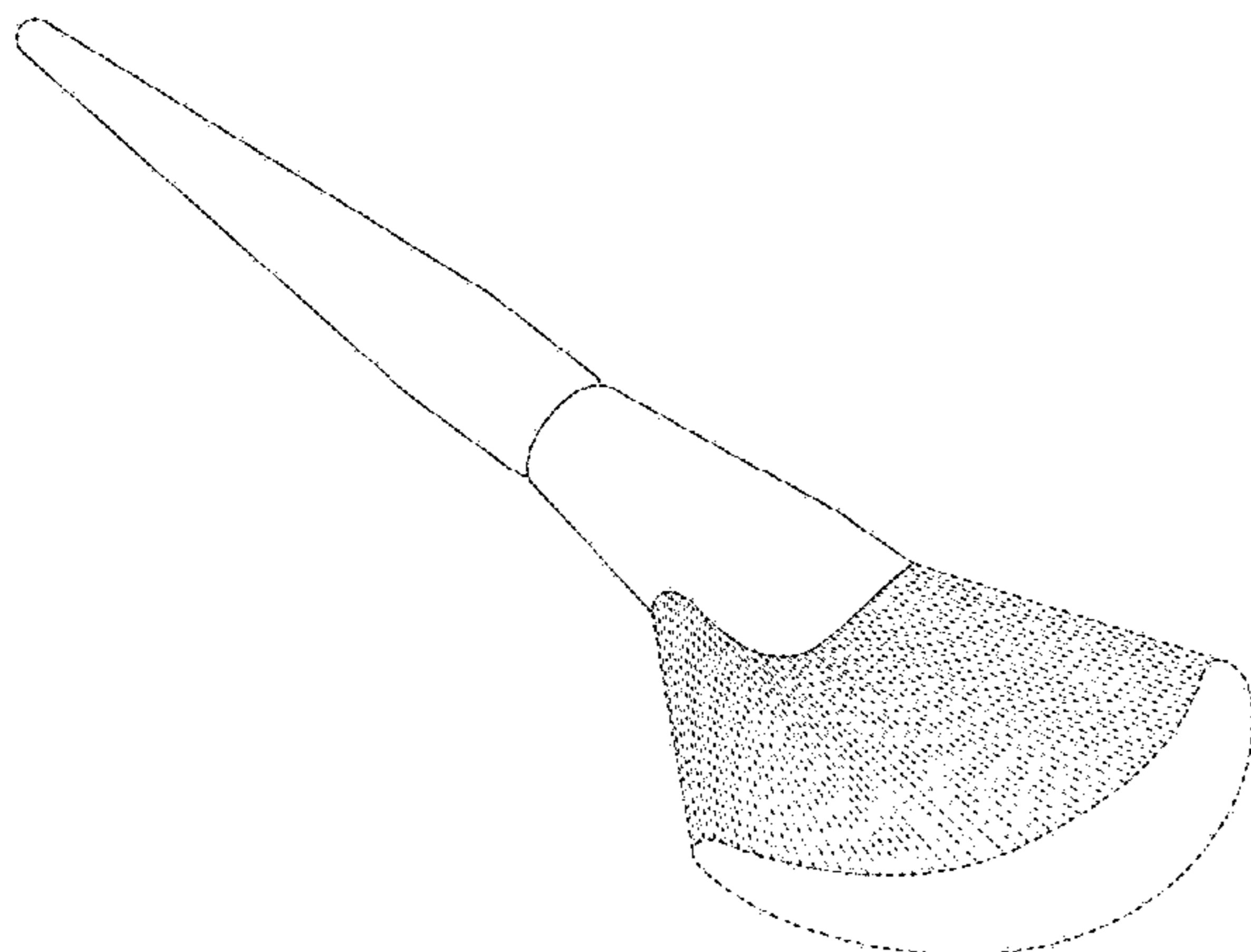
(57) **CLAIM**

I claim the ornamental design for a cosmetic brush handle, as shown and described.

**DESCRIPTION**

FIG. 1 is a perspective view of my design for the cosmetic brush handle.  
FIG. 2 is a front elevation view thereof.  
FIG. 3 is a rear elevation view thereof.  
FIG. 4 is a bottom plan view thereof.  
FIG. 5 is a top plan view thereof.  
FIG. 6 is a left-side elevation view thereof; and,  
FIG. 7 is a right-side elevation view thereof.  
Those features shown in broken lines, including a brush head shown in FIGS. 1-7, form no part of the claimed design.

**1 Claim, 3 Drawing Sheets**



(56)

**References Cited**

U.S. PATENT DOCUMENTS

D831,974 S \* 10/2018 Nicoline ..... D4/138  
D831,975 S \* 10/2018 Nicoline ..... D4/138  
D831,976 S \* 10/2018 Nicoline ..... D4/199  
D832,593 S \* 11/2018 Lin ..... D4/137  
D837,531 S 1/2019 Hirokawa et al.  
D861,627 S 10/2019 Miller  
2010/0037407 A1 2/2010 Telwar  
2014/0325779 A1 12/2014 Dansby  
2014/0331422 A1 12/2014 Lim  
2015/0265039 A1 9/2015 Godin  
2016/0262528 A1 9/2016 Kaicker

OTHER PUBLICATIONS

Miller, NaTasha Tameika; Requirement for Restriction/Election for U.S. Appl. No. 29/615,495, filed Mar. 29, 2017, dated Apr. 1, 2019, 6 pgs.

Miller, Natasha Tameika; Non-Final Office Action for U.S. Appl. No. 29/701,542, filed Aug. 13, 2019, dated Sep. 3, 2021, 12 pgs.

\* cited by examiner

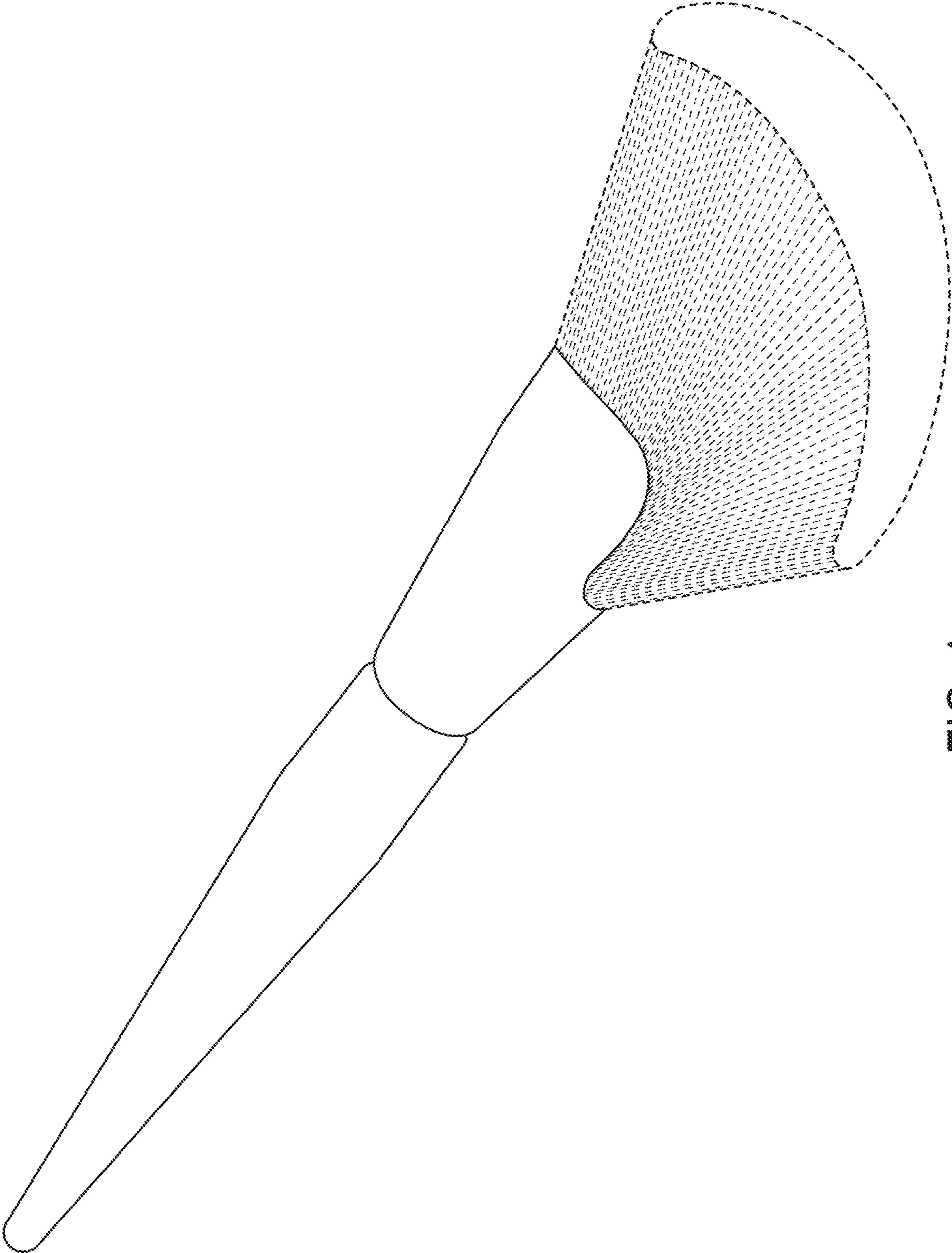


FIG. 1

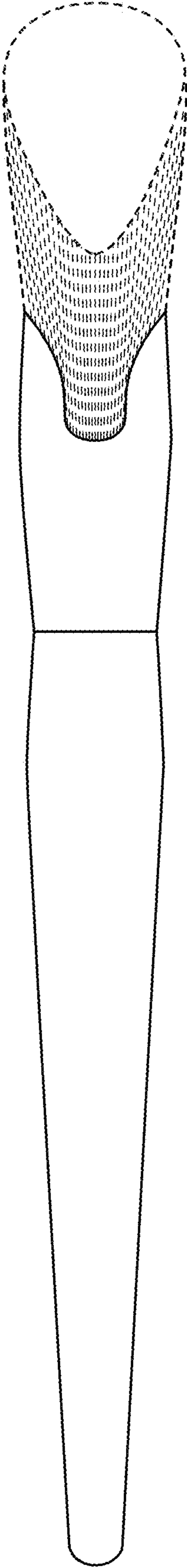


FIG. 2

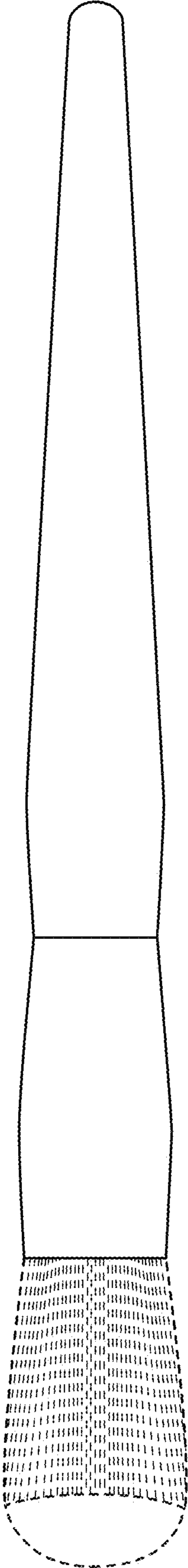


FIG. 3



FIG. 5

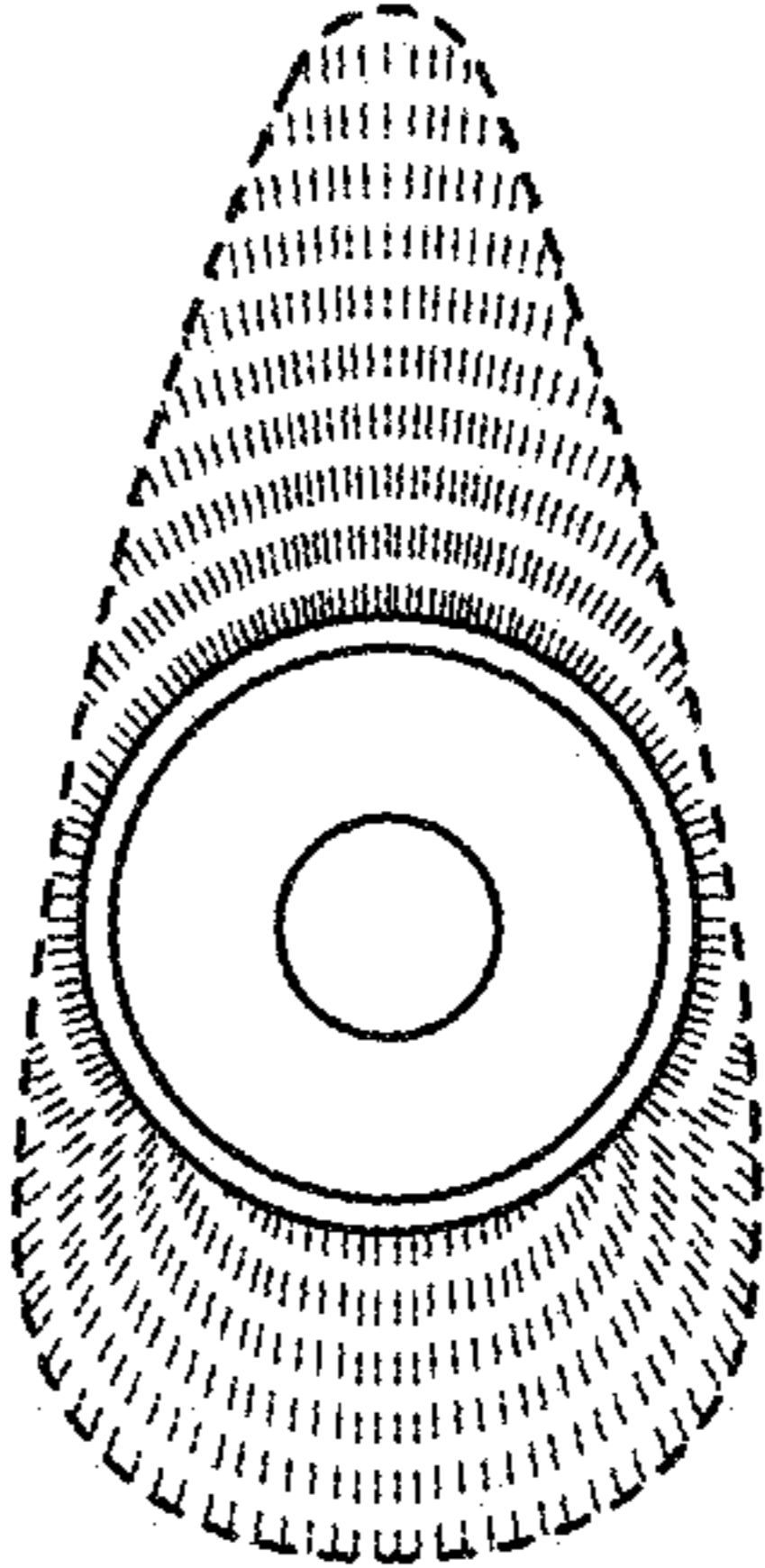


FIG. 4

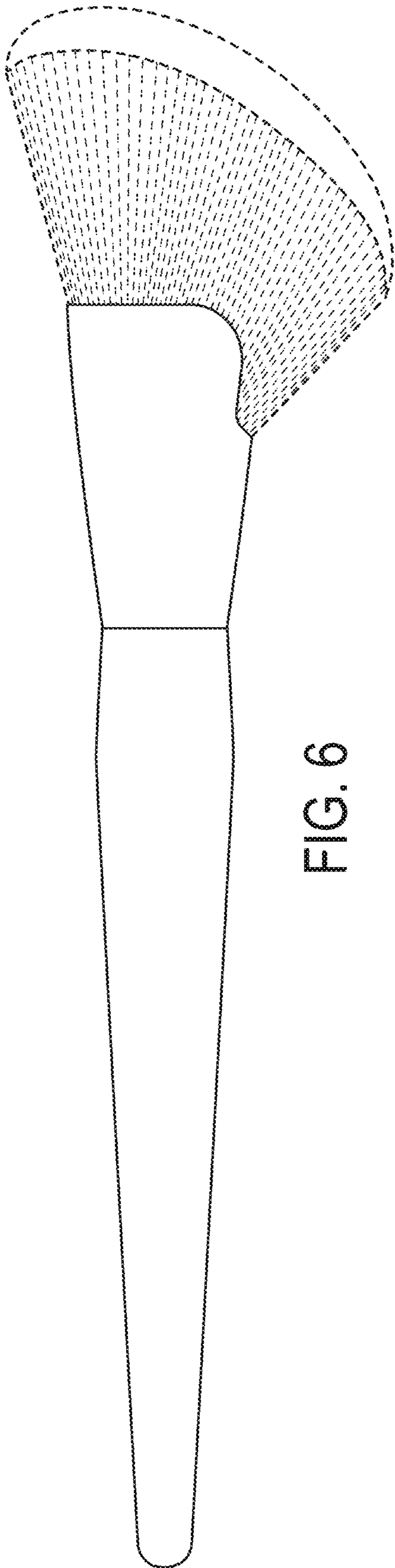


FIG. 6

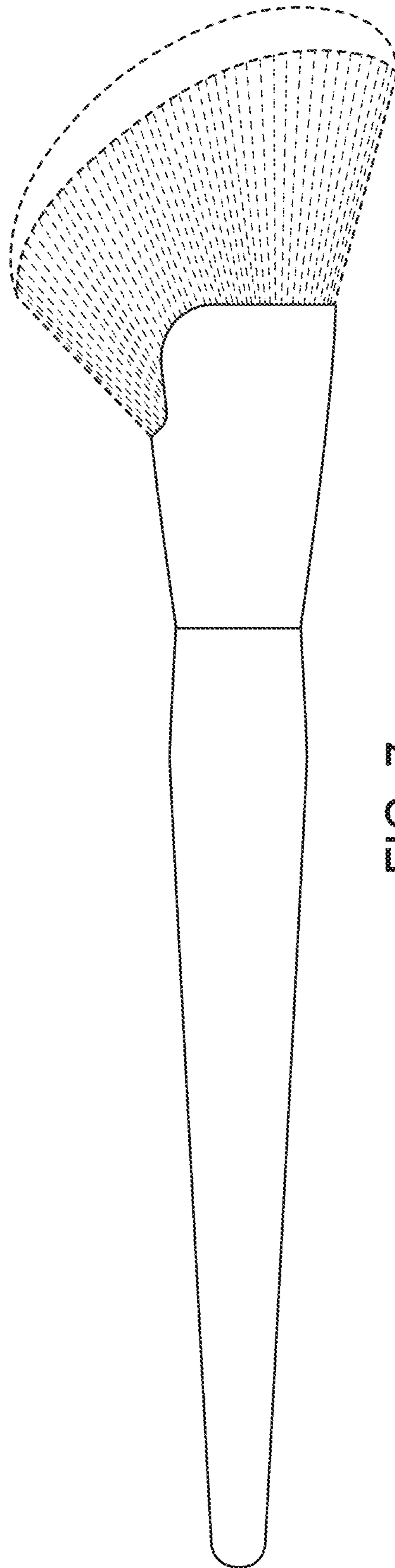


FIG. 7