



US00D938735S

(12) **United States Design Patent** (10) **Patent No.:** **US D938,735 S**
Liao (45) **Date of Patent:** **** Dec. 21, 2021**

(54) **SHAMPOO BRUSH**
(71) Applicant: **Shenzhen Xianling E- Commerce Co., Ltd.**, Guangdong (CN)
(72) Inventor: **Hengfei Liao**, Guangdong (CN)
(73) Assignee: **Shenzhen Xianling E- Commerce Co., Ltd.**, Guangdong (CN)
(**) Term: **15 Years**
(21) Appl. No.: **29/757,469**

(22) Filed: **Nov. 5, 2020**
(51) **LOC (13) Cl.** **04-02**
(52) **U.S. Cl.**
USPC **D4/129; D4/100; D4/136**
(58) **Field of Classification Search**
USPC D4/100, 102, 117, 118, 119, 120, 121, D4/127, 128, 129, 130, 132, 133, 134, D4/136, 137, 138, 199; D28/18, 24, 25, D28/28, 35, 13, 63; D19/904, 906; D30/158, 159; D24/211, 214
CPC A46B 5/02; A46B 9/005; A46B 9/023; A46B 9/02; A46B 9/06; A46B 2200/104; A46B 5/026; A46B 5/005; A46B 15/003; A46B 15/0059; A46B 2200/102; A45D 20/48; A45D 20/50; A45D 20/52; A45D 24/007; A45D 2/001; A45D 2/002; A45D 7/02; A47K 7/02; A61H 7/002
See application file for complete search history.

(56) **References Cited**

U.S. PATENT DOCUMENTS

D620,714 S * 8/2010 Bona-Kustra D4/130
D724,752 S * 3/2015 Huang D24/215
D746,062 S * 12/2015 Pan D4/127
D882,273 S * 4/2020 Kling D4/127

D897,688 S * 10/2020 Li D4/128
D906,691 S * 1/2021 Shi D4/130
2021/0127823 A1* 5/2021 Gaither A46B 11/0041

FOREIGN PATENT DOCUMENTS

CN 3380102 * 7/2004
CN 306344890 * 2/2021
CN 306835278 * 9/2021
EM 001194344-0002 * 2/2010
EM 003306836-0001 * 7/2016
EM 008211007-0001 * 10/2020
JP D1105693 * 4/2001

OTHER PUBLICATIONS

Unidentified shampoo brush [on-line]. [Original date of publication unknown.] [Retrieved Oct. 23, 2021.] URL: ><https://coolmenshair.com/wp-content/uploads/shampoo-brush.jpg>< (Year: 2021).*

* cited by examiner

Primary Examiner — Karen E Eldridge Powers
(74) *Attorney, Agent, or Firm* — ScienBiziP, P.C.

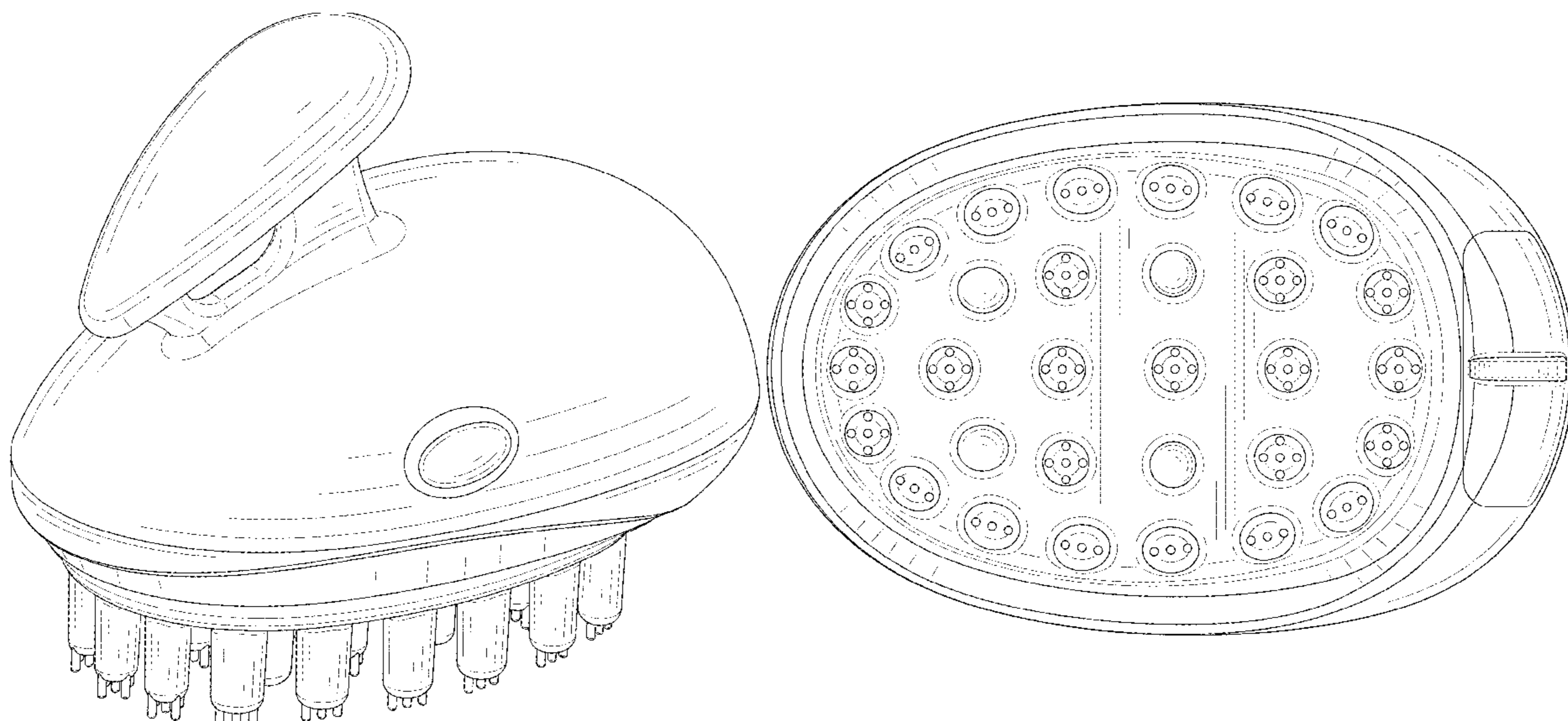
(57) **CLAIM**

The ornamental design for a shampoo brush, as shown and described.

DESCRIPTION

FIG. 1 is a front, top and left side perspective view of a shampoo brush, showing my design.
FIG. 2 is a rear, bottom and right side perspective view thereof.
FIG. 3 is a front elevation view thereof.
FIG. 4 is a rear elevation view thereof.
FIG. 5 is a left side elevation thereof.
FIG. 6 is a right side elevation thereof.
FIG. 7 is a top plan view thereof; and,
FIG. 8 is a bottom plan view thereof.

1 Claim, 8 Drawing Sheets



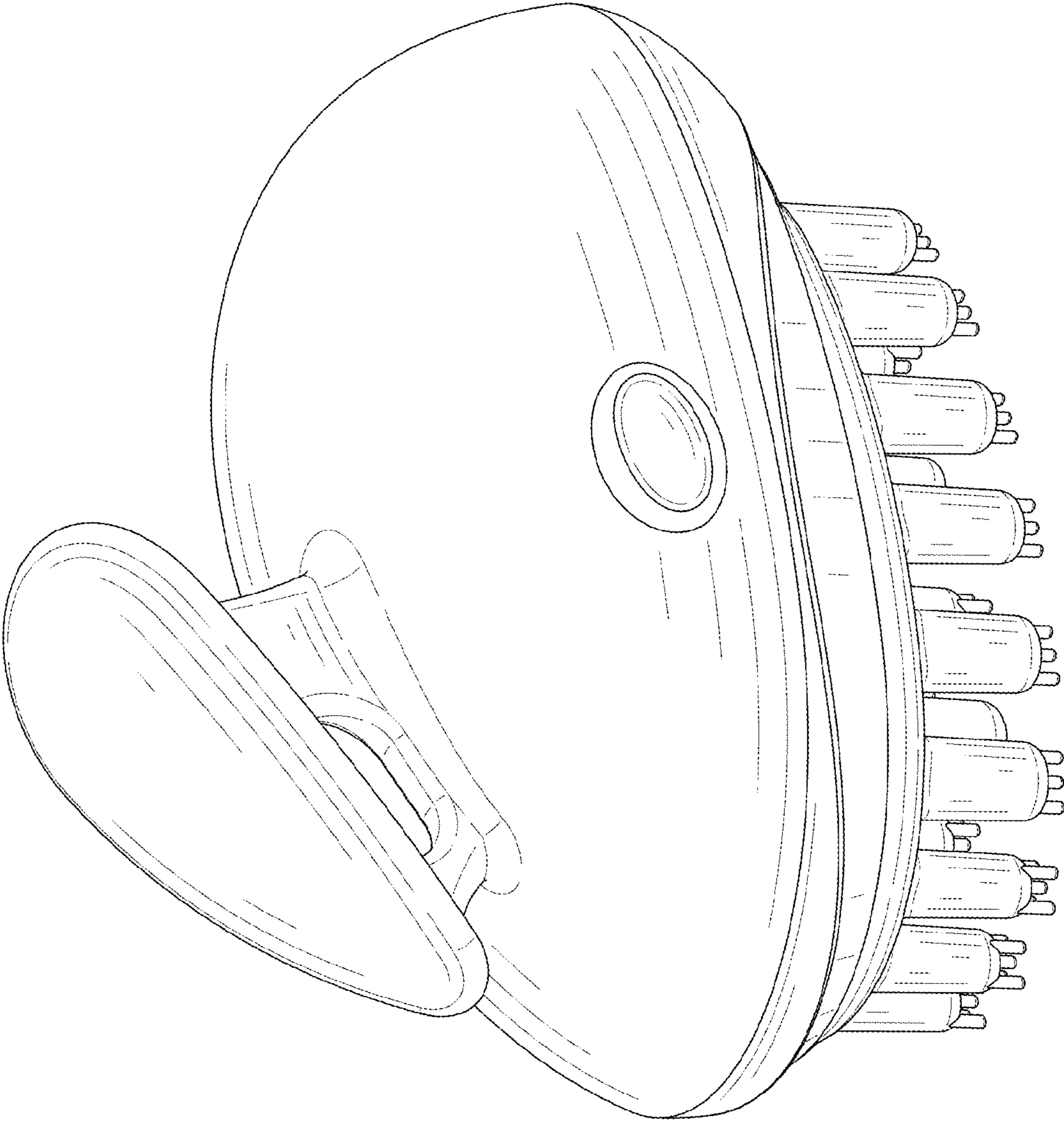


FIG. 1

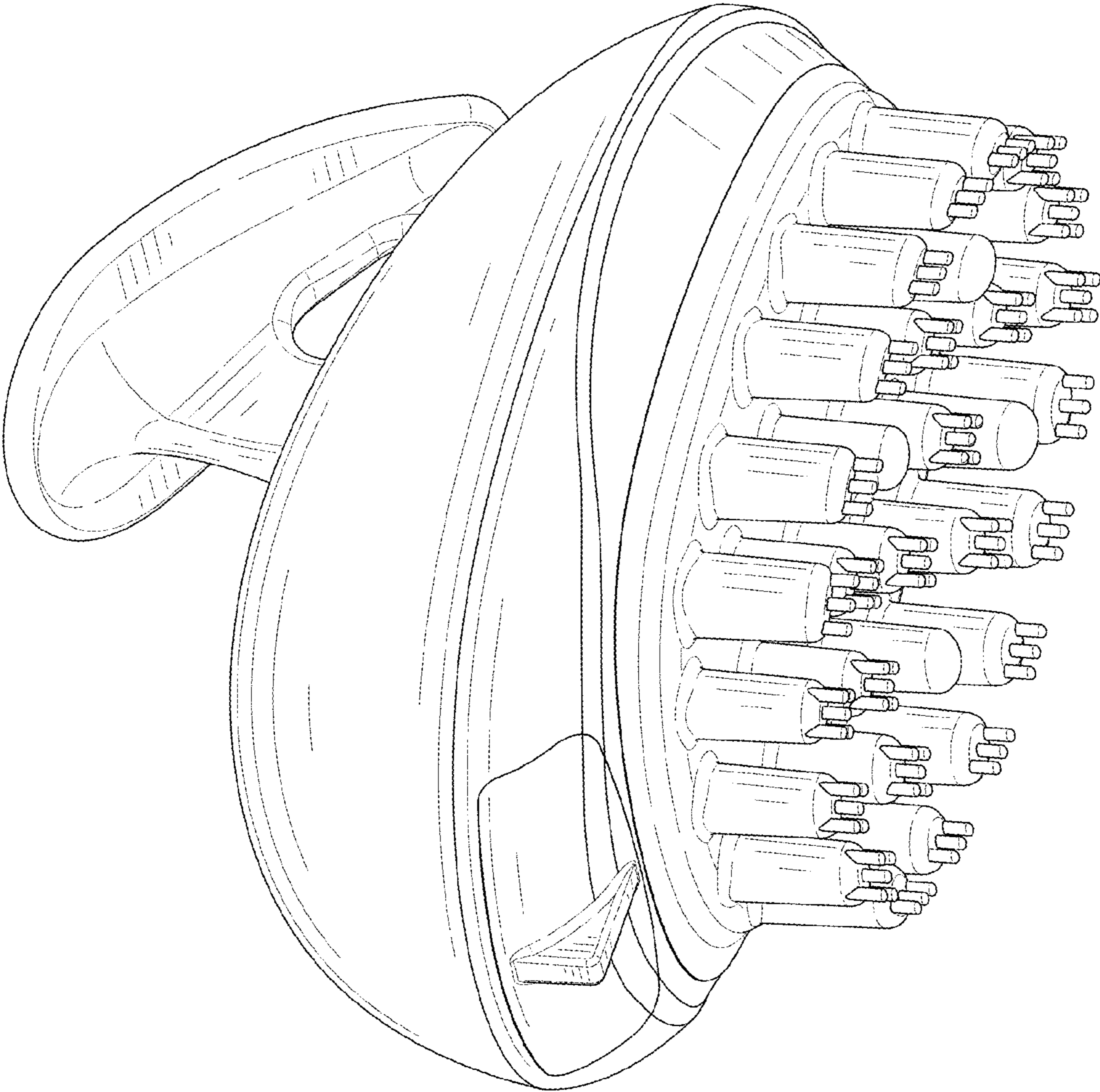


FIG. 2

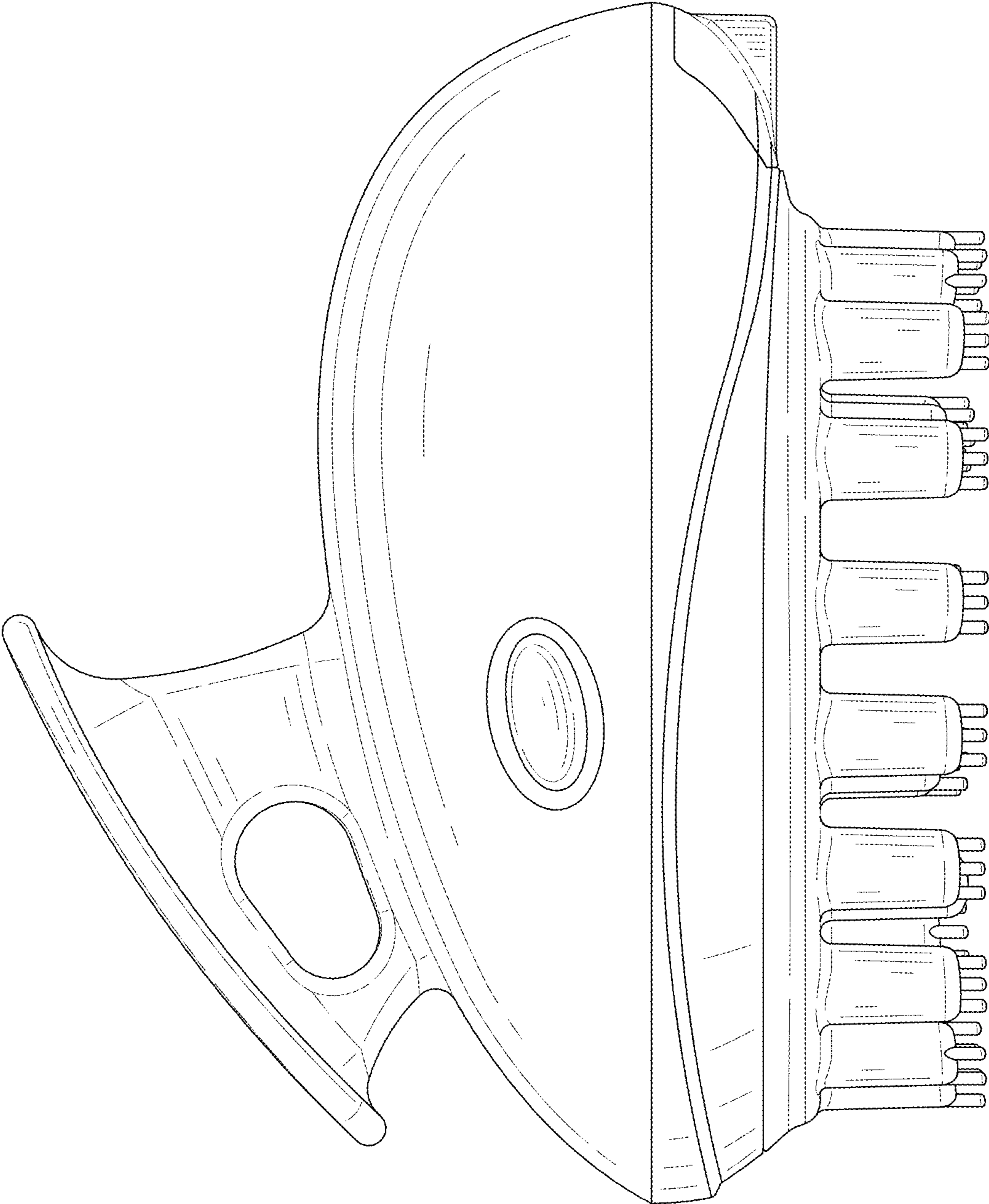


FIG. 3

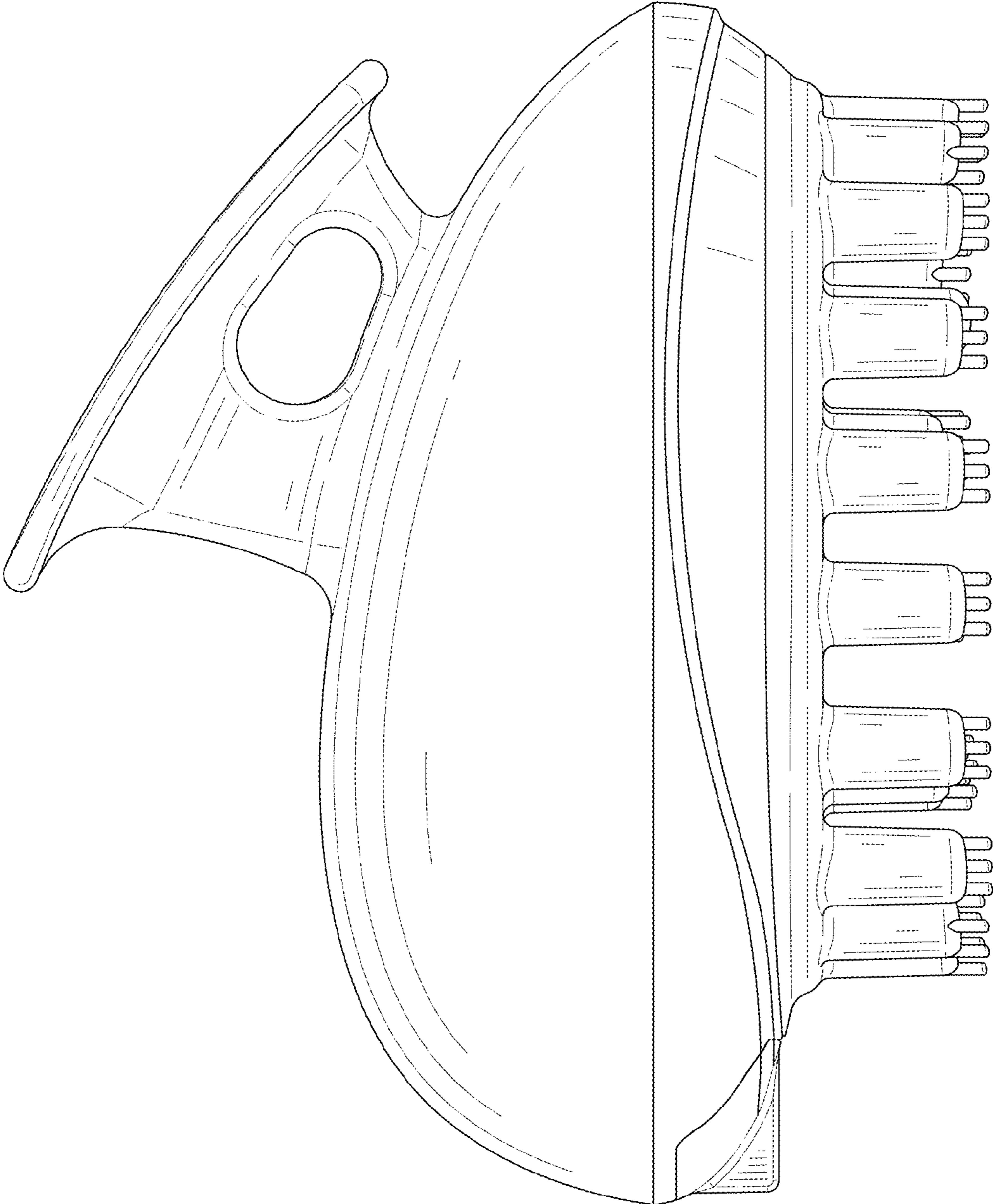


FIG. 4

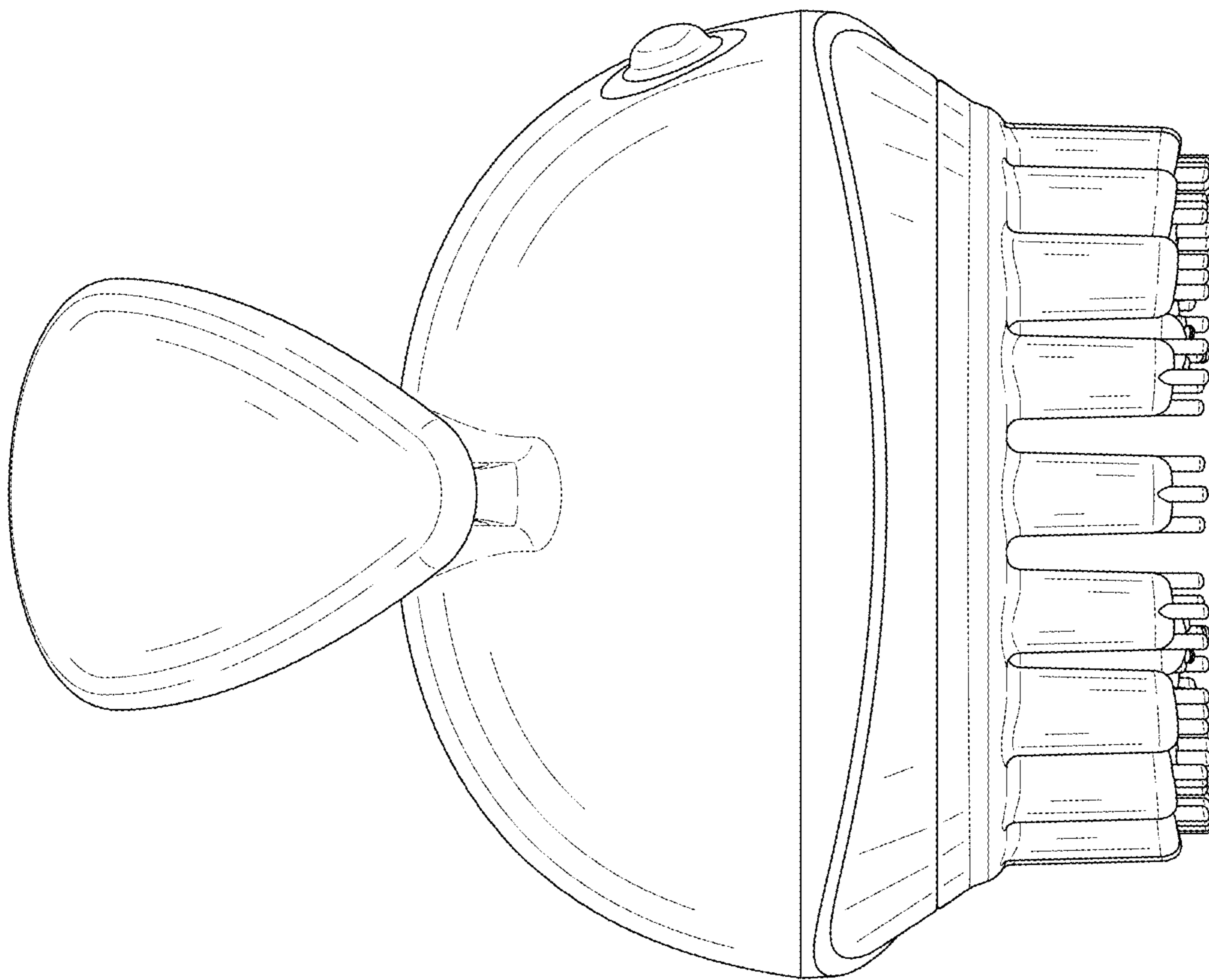


FIG. 5

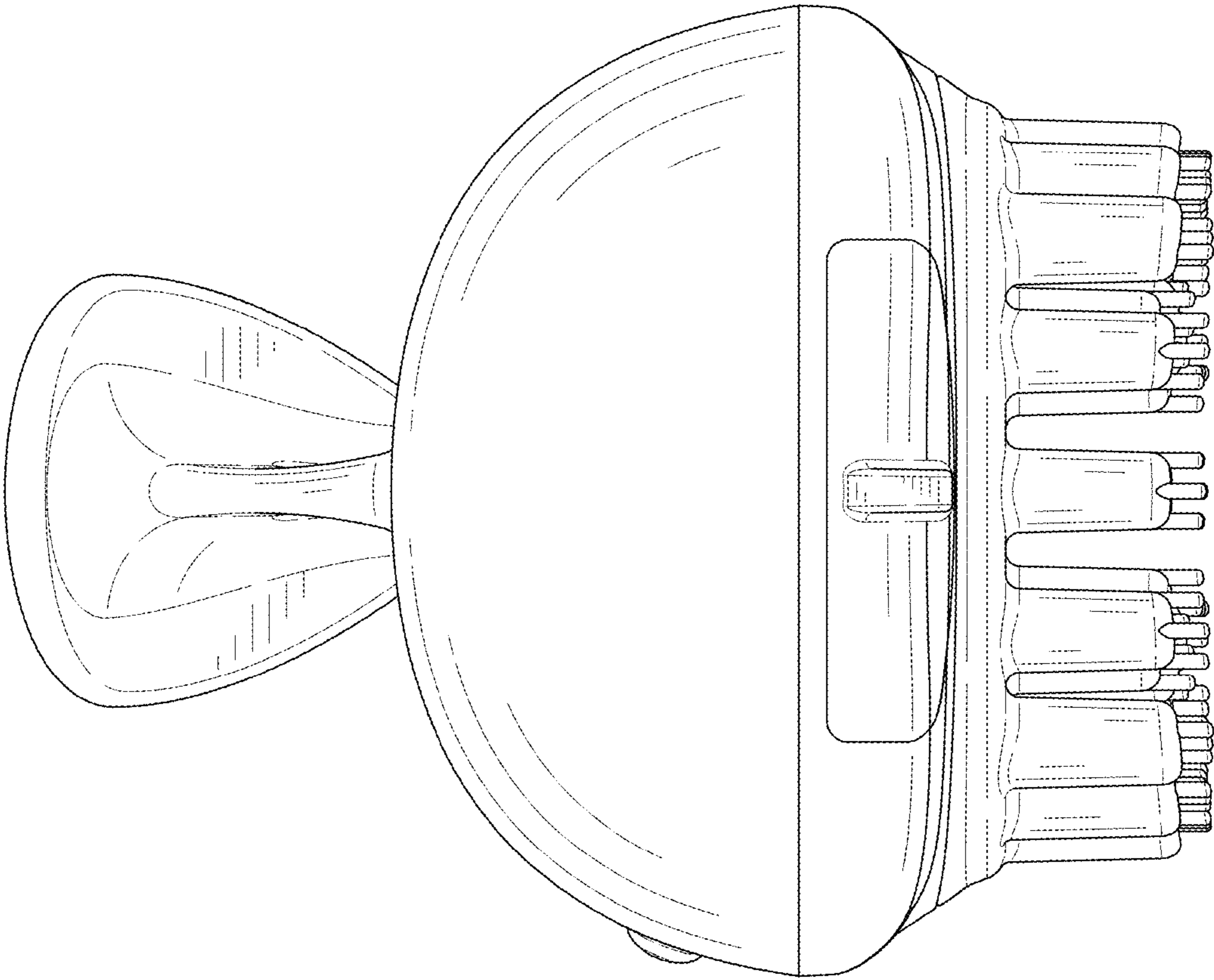


FIG. 6

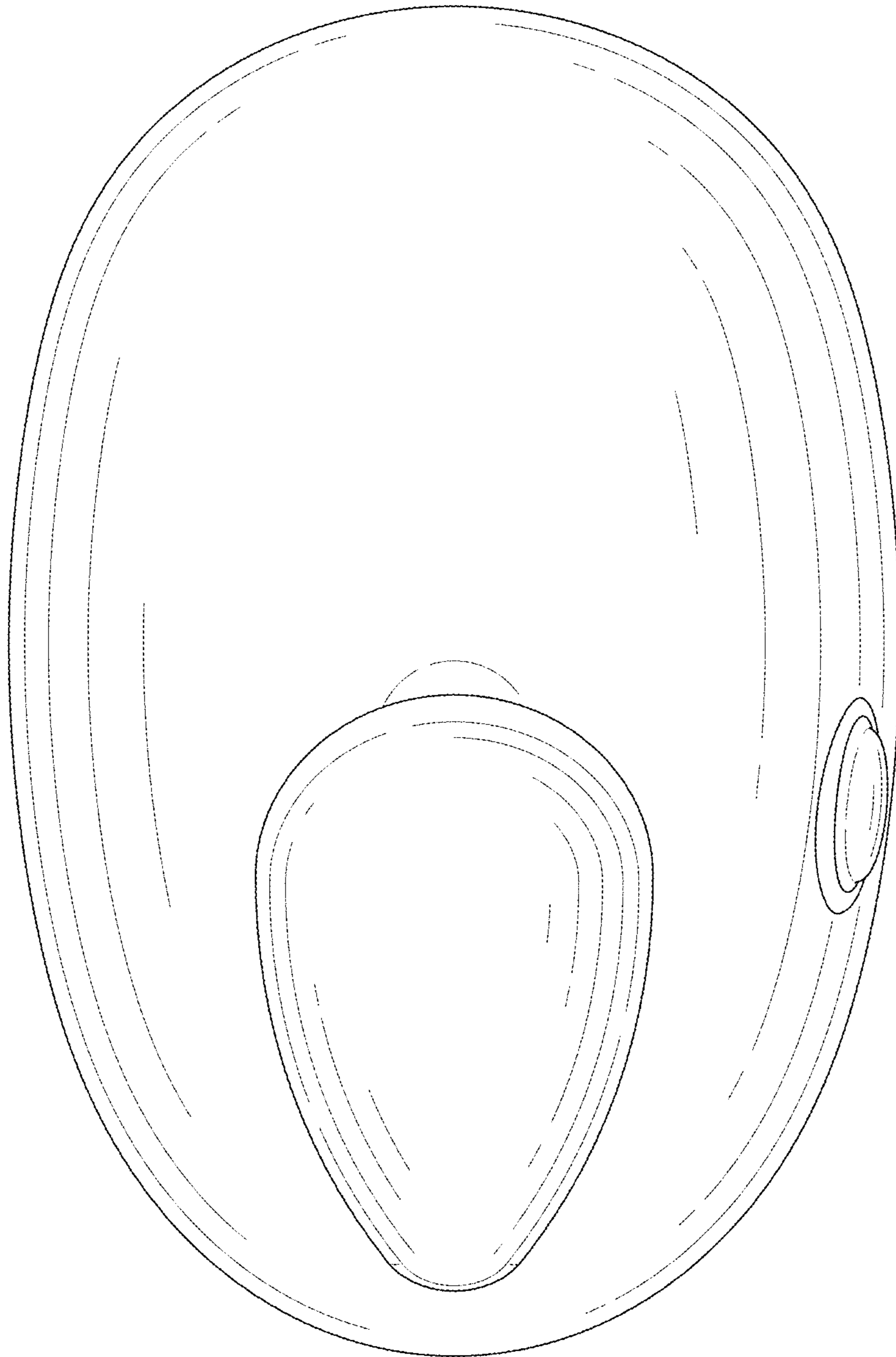


FIG. 7

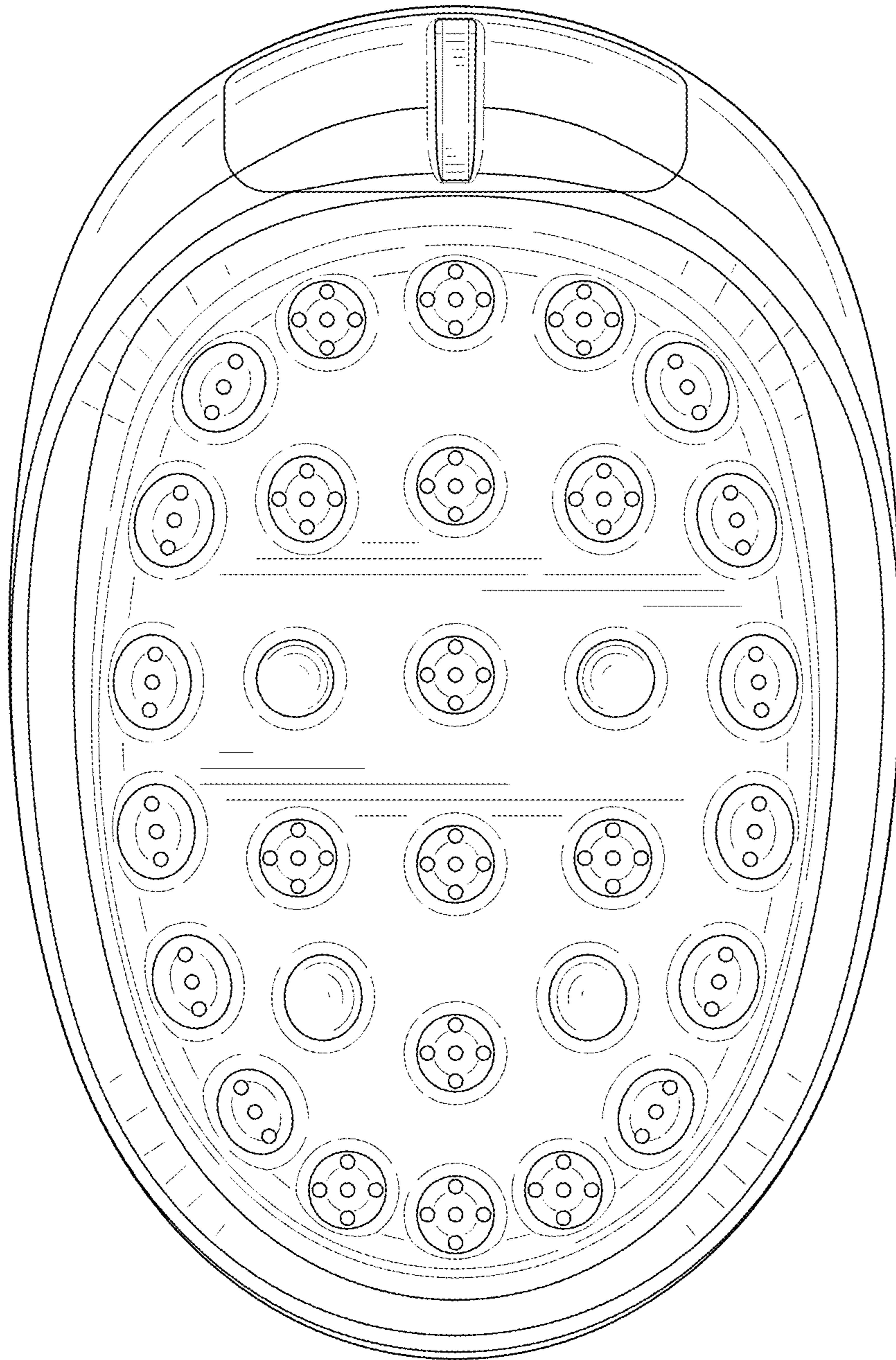


FIG. 8