



US00D938729S

(12) **United States Design Patent** (10) **Patent No.:** **US D938,729 S**  
**Cardenas** (45) **Date of Patent:** **\*\* Dec. 21, 2021**

(54) **HANDBAG**  
(71) Applicant: **J. Choo Limited**, London (GB)  
(72) Inventor: **Johanna Cardenas**, Paris (FR)  
(73) Assignee: **J. Choo Limited**, London (GB)  
(\*\*) Term: **15 Years**  
(21) Appl. No.: **29/711,054**  
(22) Filed: **Oct. 28, 2019**

(30) **Foreign Application Priority Data**  
May 20, 2019 (EM) ..... 006486668-0002  
(51) **LOC (13) Cl.** ..... **03-01**  
(52) **U.S. Cl.**  
USPC ..... **D3/321**; D3/232; D3/246  
(58) **Field of Classification Search**  
USPC ... D3/203.1, 203.6, 202, 205-206, 215, 217,  
D3/226, 229-230, 232-233, 242-246,  
D3/249, 258, 273-274, 276, 283-290,  
D3/294-295, 299, 301, 303, 900-904,  
D3/321-322, 324, 326; D7/602, 605,  
D7/607, 619.1, 709; D28/73, 76;  
D30/153, 161  
CPC .. A45C 1/00; A45C 1/02; A45C 1/024; A45C  
1/08; A45C 3/00; A45C 3/04; A45C 3/06;  
A45C 3/10; A45C 3/004; A45C 5/00;  
A45C 5/02; A45C 5/04; A45C 5/005;  
A45C 7/077; A45C 7/00; A45C 9/00;  
A45C 11/00; A45C 11/16; A45C 11/20;  
A45C 11/26; A45C 11/008; A45C 13/00;  
A45C 13/08; A45C 13/26; A45C  
2003/002; A45C 2003/007; A45C  
2003/008; A45C 3007/004; A45C  
2011/007; A45C 2200/20;  
(Continued)

(56) **References Cited**  
U.S. PATENT DOCUMENTS  
D42,370 S \* 3/1912 Potter ..... D3/243  
D42,372 S \* 3/1912 Potter ..... D3/243  
(Continued)

FOREIGN PATENT DOCUMENTS  
CN 304936516 \* 12/2018  
KR 300728542.0000 \* 2/2014

OTHER PUBLICATIONS  
Burberry Bright Red Equestrian Shield Crossbody Bag, unknown first available date, jomashop.com [online], [site visited Jun. 15, 2021], Available at internet URL: <https://www.jomashop.com/burberry-bright-red-equestrian-shield-crossbody-bag-4074995.html> (Year: 2021).\*

(Continued)  
*Primary Examiner* — Jeffrey D Asch  
*Assistant Examiner* — Caitlin A Laverty  
(74) *Attorney, Agent, or Firm* — Fross Zelnick Lehrman & Zissu, P.C.; Lawrence E. Apolzon, Esq.

(57) **CLAIM**  
The ornamental design for a handbag, as shown and described.

**DESCRIPTION**  
FIG. 1 is a front perspective view of a handbag showing my new design;  
FIG. 2 is a front view thereof;  
FIG. 3 is a back view thereof;  
FIG. 4 is a left side view thereof;  
FIG. 5 is a right side view thereof;  
FIG. 6 is a top view thereof; and,  
FIG. 7 is a bottom view thereof.  
The broken line showing of portions of the handbag in the drawings is for illustrative purposes only and forms no part of the claimed design.  
The stitching in the drawings is for illustrative purposes only and forms no part of the claimed design.

**1 Claim, 7 Drawing Sheets**



(58) **Field of Classification Search**

CPC ..... A45D 29/20; A45D 33/008; A45D 44/18;  
 A45D 2200/25; A45F 3/00; A45F 3/02;  
 A45F 3/04; A45F 3/16; A45F 4/02; B65D  
 23/08; B65D 81/38; B65D 81/3836;  
 B65D 81/2023; A01K 23/005; A01K  
 25/005; A01K 27/001; A01K 27/003;  
 A01K 27/006; A01K 27/008; E01H  
 1/1206

See application file for complete search history.

(56)

**References Cited**

U.S. PATENT DOCUMENTS

1,029,634 A \* 6/1912 Riley ..... A45C 13/26  
 16/410  
 D73,419 S \* 9/1927 Weber ..... D3/246  
 D115,063 S \* 5/1939 Cohen ..... D3/246  
 3,530,962 A \* 9/1970 Schneider ..... A45C 13/26  
 190/115  
 D398,082 S \* 9/1998 Martz ..... D3/273  
 D442,368 S \* 5/2001 Spence, Jr. .... D3/283  
 D461,954 S \* 8/2002 Guyon ..... D3/246  
 D477,462 S \* 7/2003 Dancyger ..... D3/274  
 D501,998 S 2/2005 Gonzalez  
 D502,805 S 3/2005 Gonzalez  
 D502,813 S 3/2005 Gonzalez  
 D507,878 S \* 8/2005 Kavovit ..... D3/276  
 D507,882 S 8/2005 Gonzalez  
 D512,563 S \* 12/2005 Suppancig ..... D3/246  
 D540,034 S 4/2007 Gonzalez  
 D549,963 S 9/2007 Gonzalez  
 D607,204 S 1/2010 Gonzalez et al.  
 D608,544 S \* 1/2010 Kwei ..... D3/245  
 D609,470 S \* 2/2010 Guyon ..... D3/245  
 D627,155 S \* 11/2010 Tennyson ..... D3/243  
 D641,554 S \* 7/2011 Martinetti ..... D3/321  
 D644,029 S \* 8/2011 Boas ..... D3/324  
 D719,349 S \* 12/2014 Fusi ..... D3/245  
 D802,917 S \* 11/2017 Fusi ..... D3/243  
 D819,956 S \* 6/2018 Woodard ..... D3/203.6  
 D883,753 S \* 5/2020 Zheng ..... D7/607  
 D893,182 S \* 8/2020 Smith, IV ..... D3/276

D923,332 S \* 6/2021 Deloumeaux ..... D3/246  
 D932,768 S \* 10/2021 Spaziani ..... D3/232  
 2016/0029764 A1 \* 2/2016 Hayashi ..... A45C 3/06  
 150/107

OTHER PUBLICATIONS

Twitter user @jimmychoo image post, dated Sep. 4, 2019, twitter.com [online], [site visited Jun. 17, 2021], Available at internet URL: <https://twitter.com/jimmychoo/status/1169203452909514753/photo/1> (Year: 2019).\*

Handbag—Tulita Origami Small—published at least earlier than May 20, 2018.

Handbag—Tulita Ruched Small—published at least earlier than May 20, 2018.

Handbag—Tulita Origami Large—published at least earlier than May 20, 2018.

Handbag—Tulita Ruched Medium—published at least earlier than May 20, 2018.

Handbag—Tulita Large Rafia Origami—published at least earlier than May 20, 2018.

Handbag—Tulita Ruched Large—published at least earlier than May 20, 2018.

Handbag—Tulita Large Flap Hobo—published at least earlier than May 20, 2018.

Handbag—Tulita Hobo Large—published at least earlier than May 20, 2018.

Handbag—Tulita Hammock—published at least earlier than May 20, 2018.

Handbag—Tulita Crescent—published at least earlier than May 20, 2018.

Handbag—Tulita Hobo—published at least earlier than May 20, 2018.

Handbag—Tulita Flap Hobo—published at least earlier than May 20, 2018.

Handbag—Tulita Large Hobo—published at least earlier than May 20, 2018.

Handbag—Tulita Large Large Perspex—published at least earlier than May 20, 2018.

Handbag—Tulita Shopper—published at least earlier than May 20, 2018.

\* cited by examiner



FIG. 1



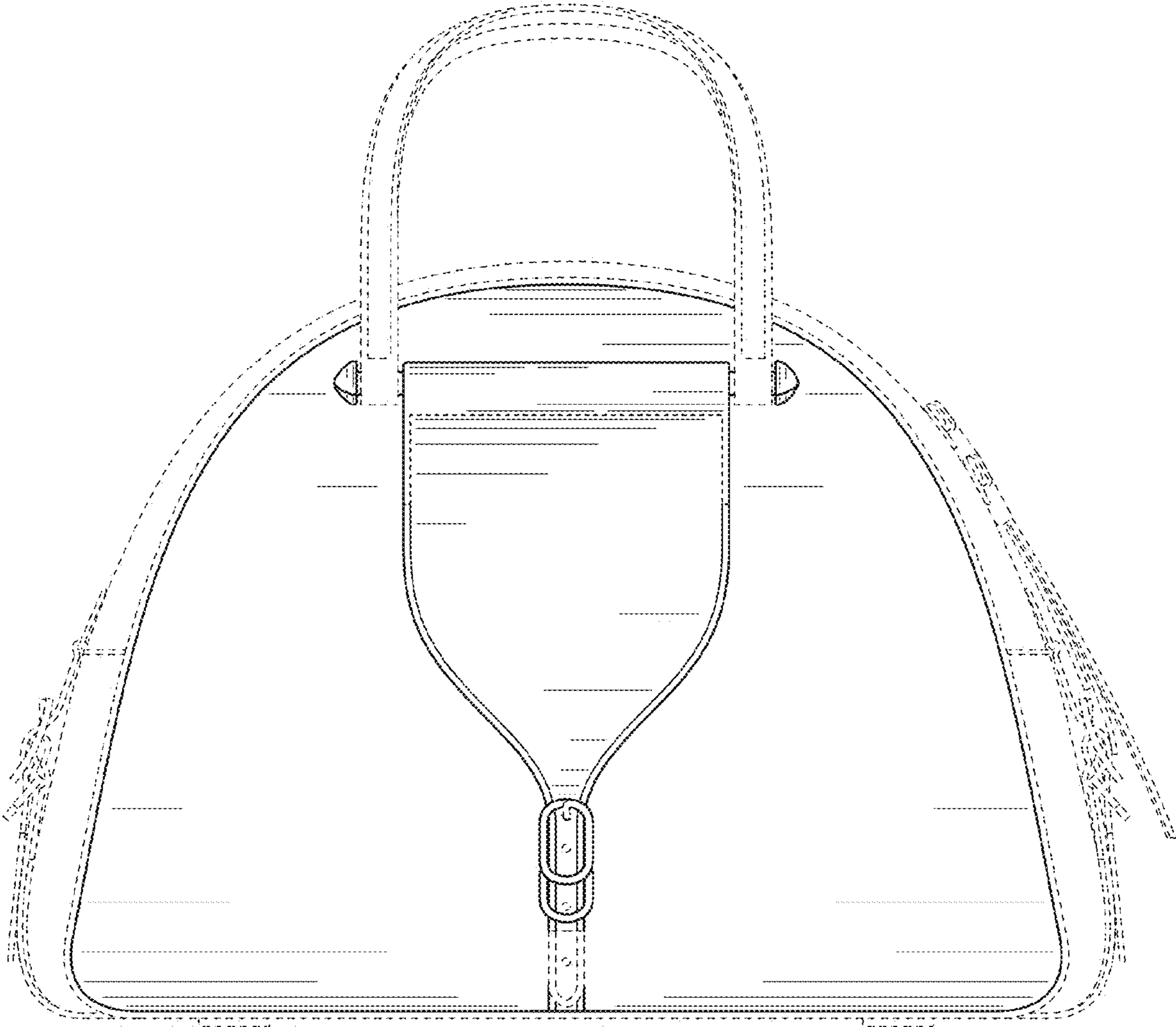


FIG. 2



FIG. 3

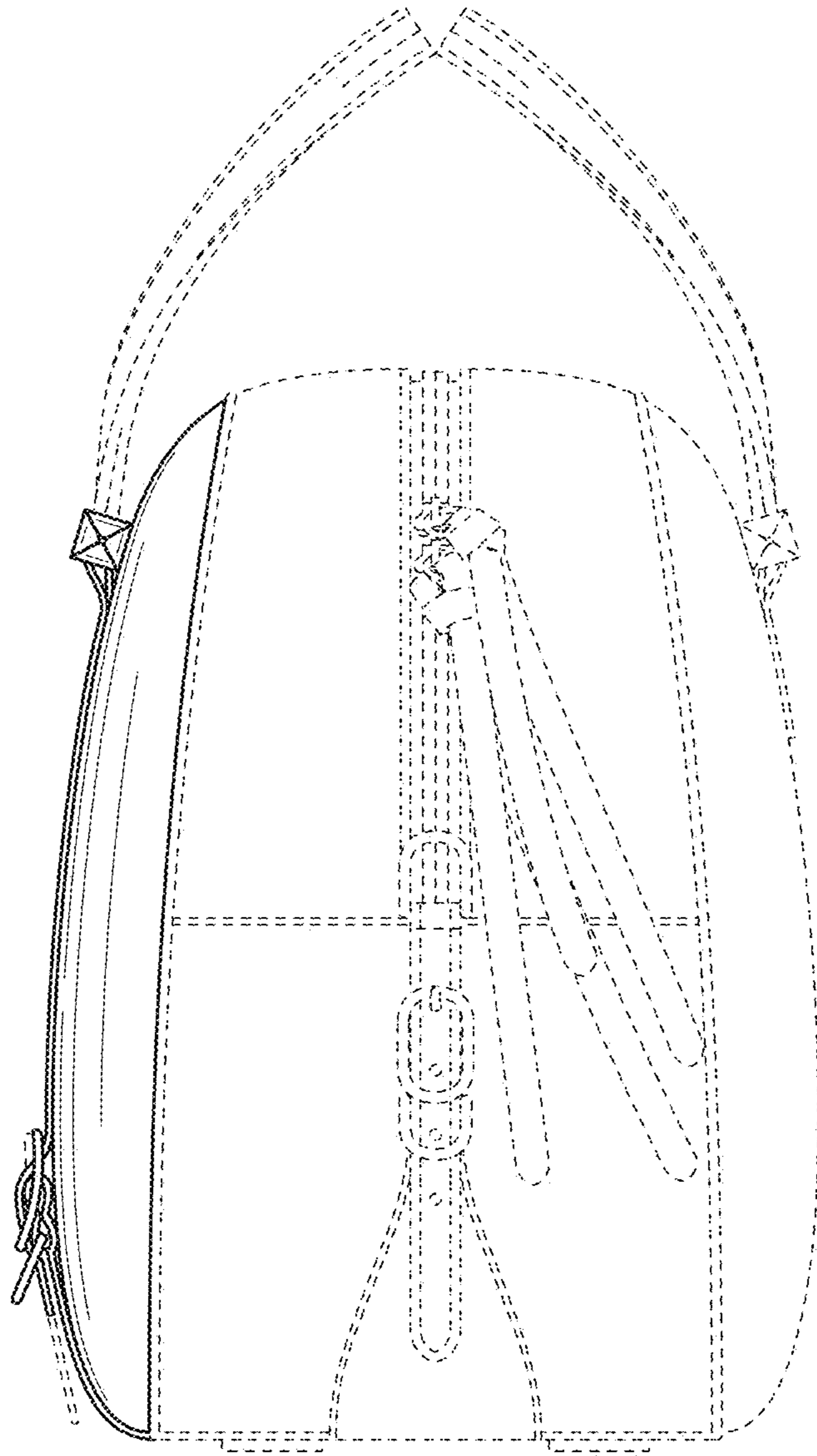


FIG. 4

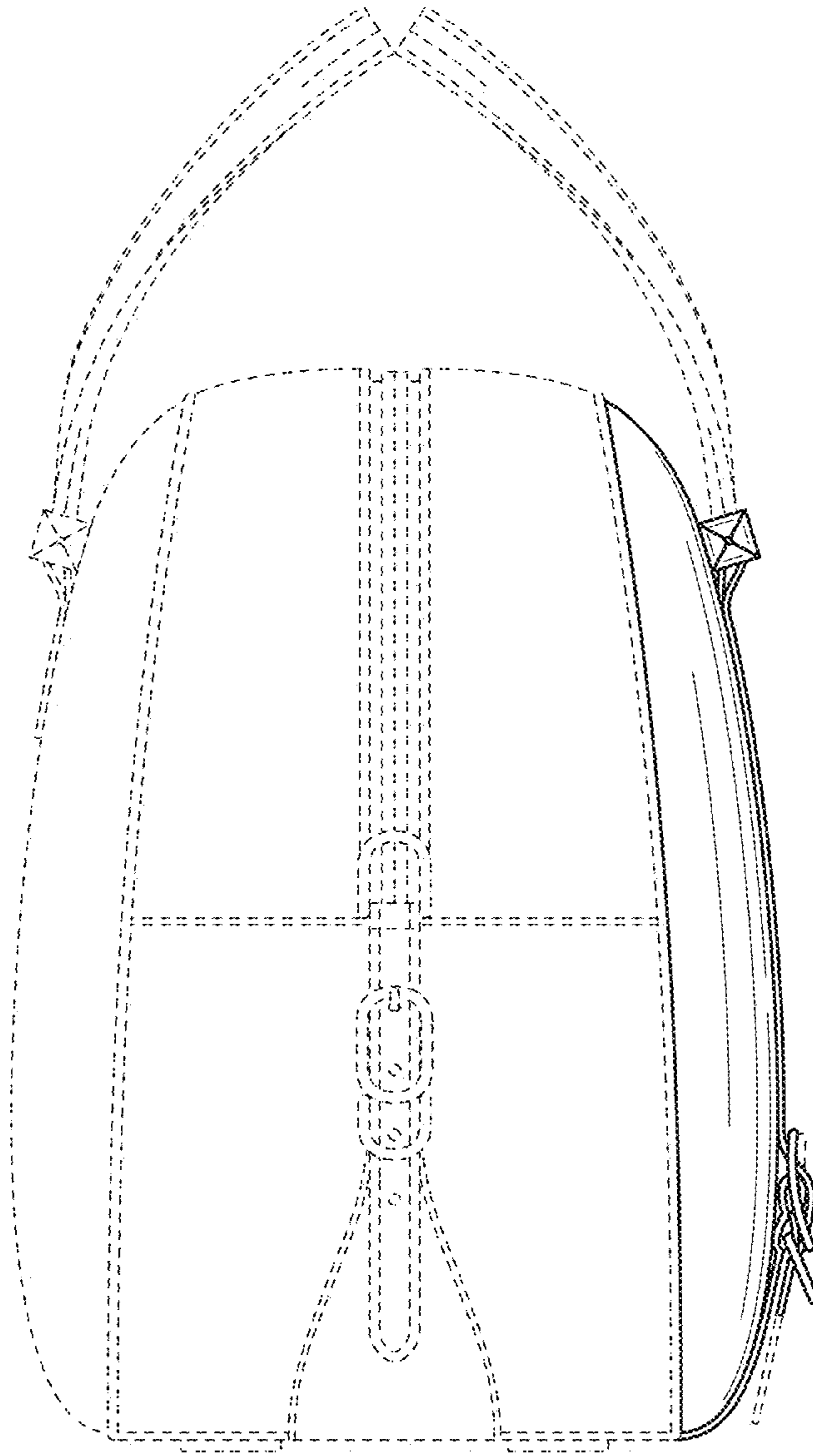


FIG. 5

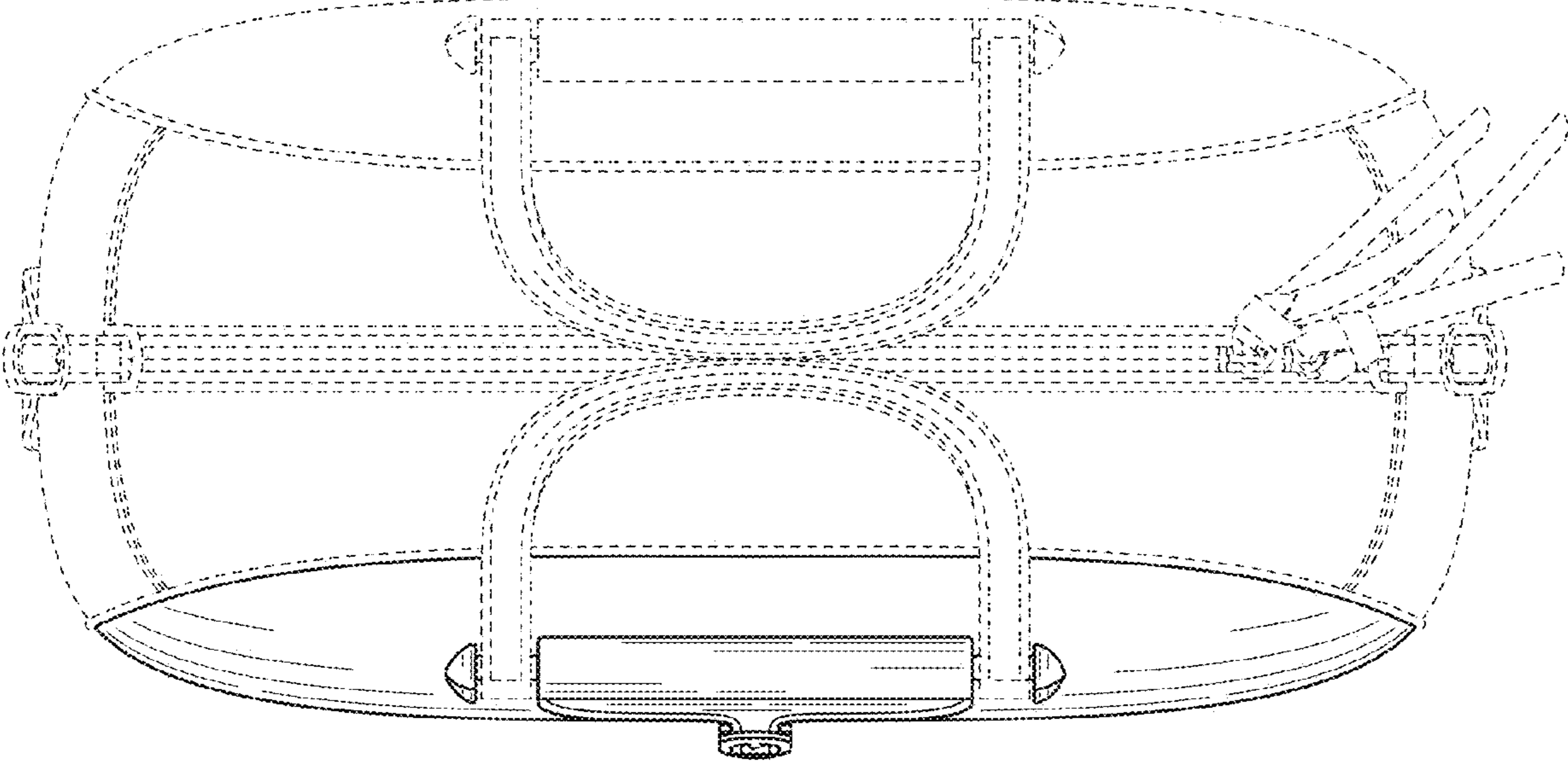


FIG. 6



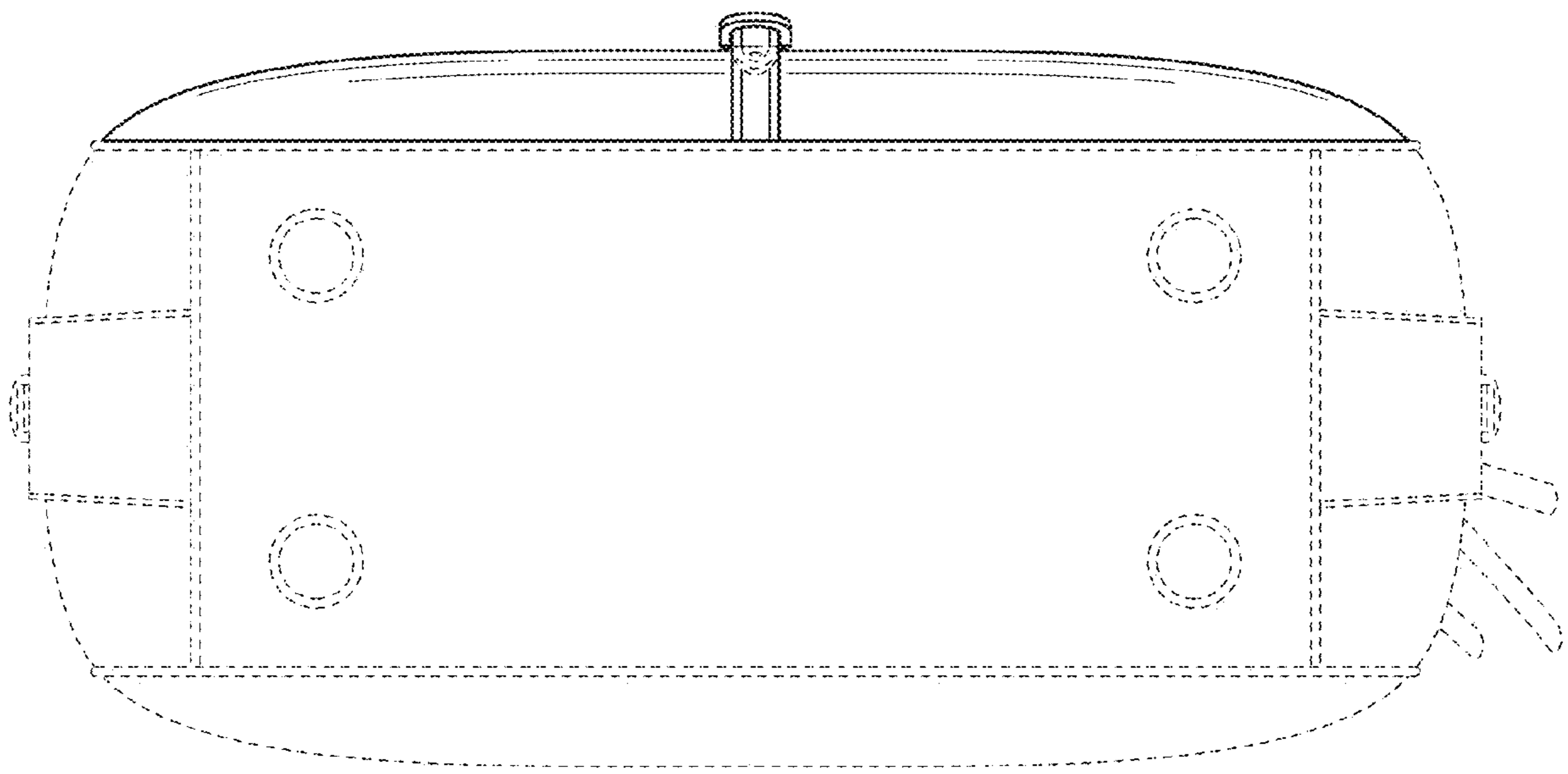


FIG. 7