



US00D938727S

(12) **United States Design Patent** (10) **Patent No.:** **US D938,727 S**
Dittrich (45) **Date of Patent:** **** Dec. 21, 2021**

- (54) **BASKET**
- (71) Applicant: **Spectrum Diversified Designs, LLC**, Streetsboro, OH (US)
- (72) Inventor: **Megan Dittrich**, Twinsburg, OH (US)
- (73) Assignee: **SPECTRUM DIVERSIFIED DESIGNS, LLC**, Streetsboro, OH (US)
- (**) Term: **15 Years**
- (21) Appl. No.: **29/710,113**
- (22) Filed: **Oct. 21, 2019**
- (51) **LOC (13) Cl.** **09-04**
- (52) **U.S. Cl.**
USPC **D3/306**
- (58) **Field of Classification Search**
USPC D3/212, 272-274, 276-277, 294, D3/304-314
CPC D06F 95/002; A47B 2210/0024; A47B 2088/401
See application file for complete search history.

Available from internet, URL: <https://www.amazon.ca/Spectrum-Diversified-Macklin-Medium-Storage/dp/B01C6UI148?ref_=ast_sto_dp&th=1> (Year: 2016).*

Pib Large wire mesh basket, Stamped Steel & Wire Basket, announced Jan. 27, 2016 [online], [site visited Aug. 10, 2021]. Available from internet, URL: <<https://www.pib-home.co.uk/decorative-accessories/boxes-and-baskets/large-wire-mesh-basket=0020684>> (Year: 2016).*

Macklin Paws Medium BASKET, Spectrum Diversified website, <https://www.spectrumdiversified.com/products/macklin-paws-medium-basket/>, dated Oct. 4, 2019, 1 page.

* cited by examiner

Primary Examiner — Kevin K Rudzinski
Assistant Examiner — Amber J Rabie
 (74) *Attorney, Agent, or Firm* — Tucker Ellis LLP

(57) **CLAIM**

The ornamental design for a basket, as shown and described.

DESCRIPTION

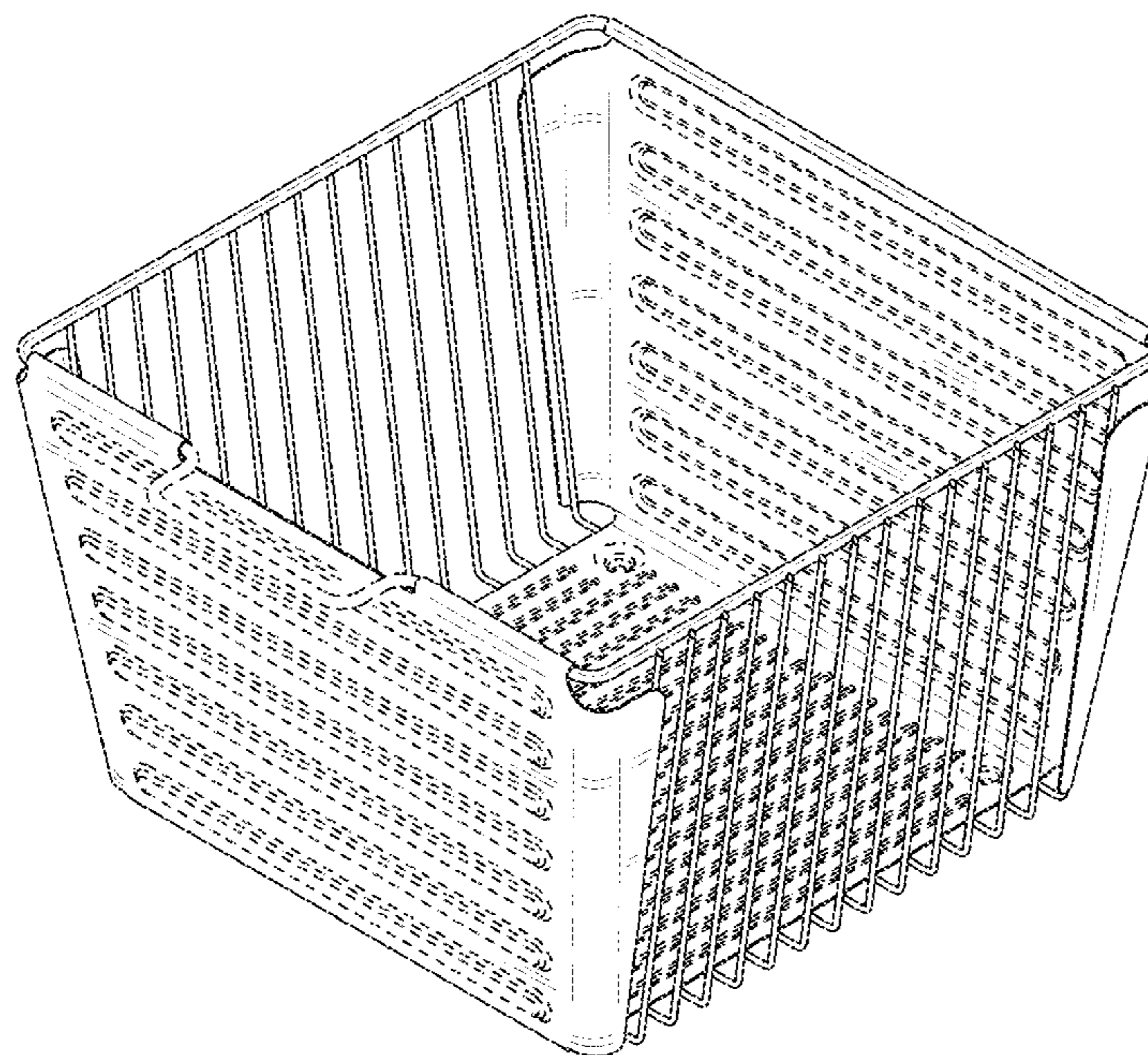
FIG. 1 is a perspective view of a basket showing my new design.
 FIG. 2 is a front view thereof.
 FIG. 3 is a rear view thereof.
 FIG. 4 is a right side view thereof.
 FIG. 5 is a left side view thereof.
 FIG. 6 is a top view thereof; and,
 FIG. 7 is a bottom view thereof.
 The broken lines show portions of the design that form no part of the claimed design.

- (56) **References Cited**
- U.S. PATENT DOCUMENTS
- | | | | | |
|---------------|--------|-----------|-------|-------------------------|
| 3,144,161 A * | 8/1964 | Glenny | | B65D 7/14
220/491 |
| 4,403,701 A * | 9/1983 | Corcoran | | A47B 87/02
211/133.1 |
| D722,946 S * | 2/2015 | Armstrong | | B65D 7/14
D12/407 |

OTHER PUBLICATIONS

Spectrum Diversified Macklin, Stamped Steel & Wire Basket, announced Aug. 16, 2016 [online], [site visited Aug. 10, 2021].

1 Claim, 7 Drawing Sheets



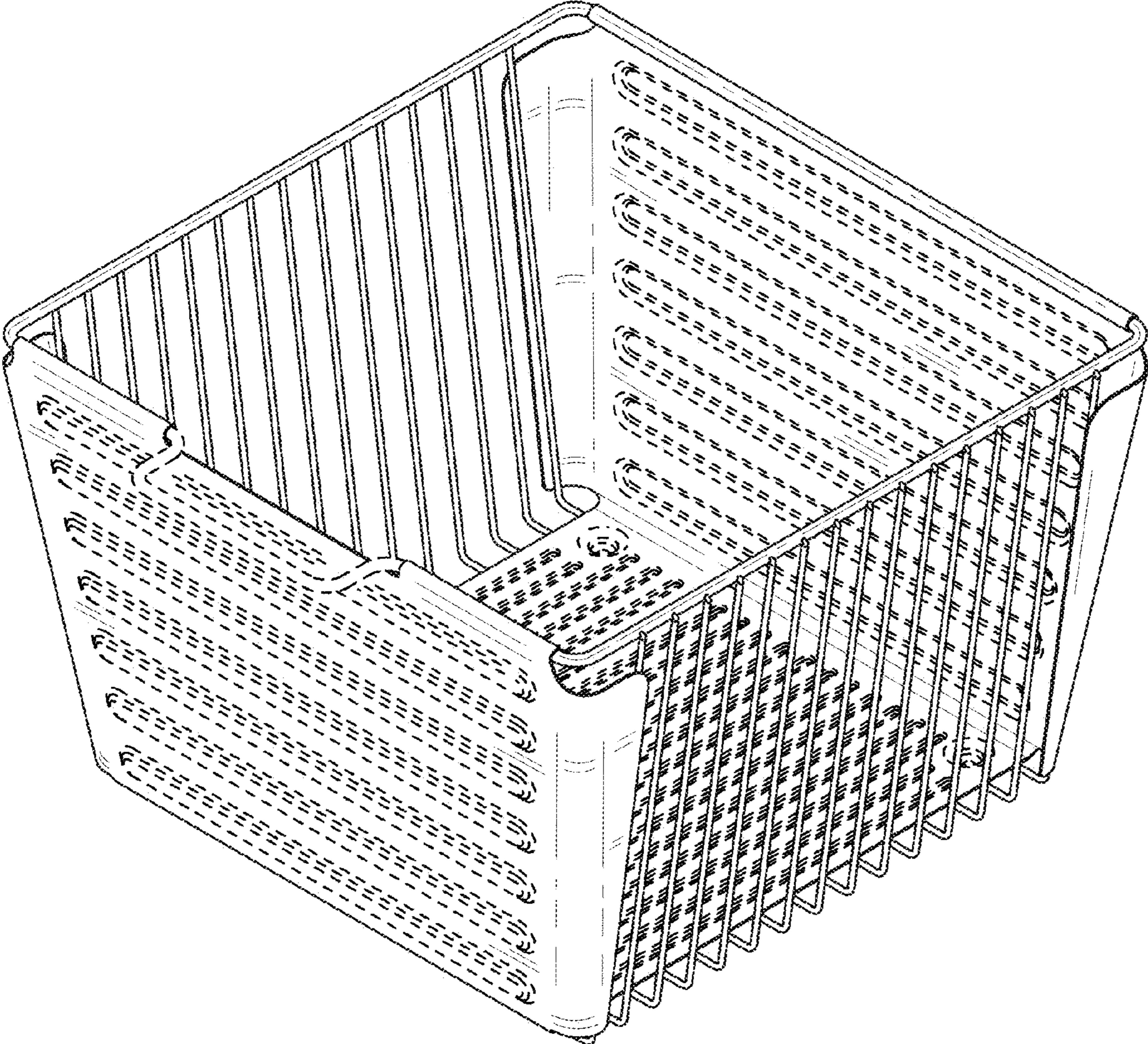


FIG. 1



FIG. 2



FIG. 3

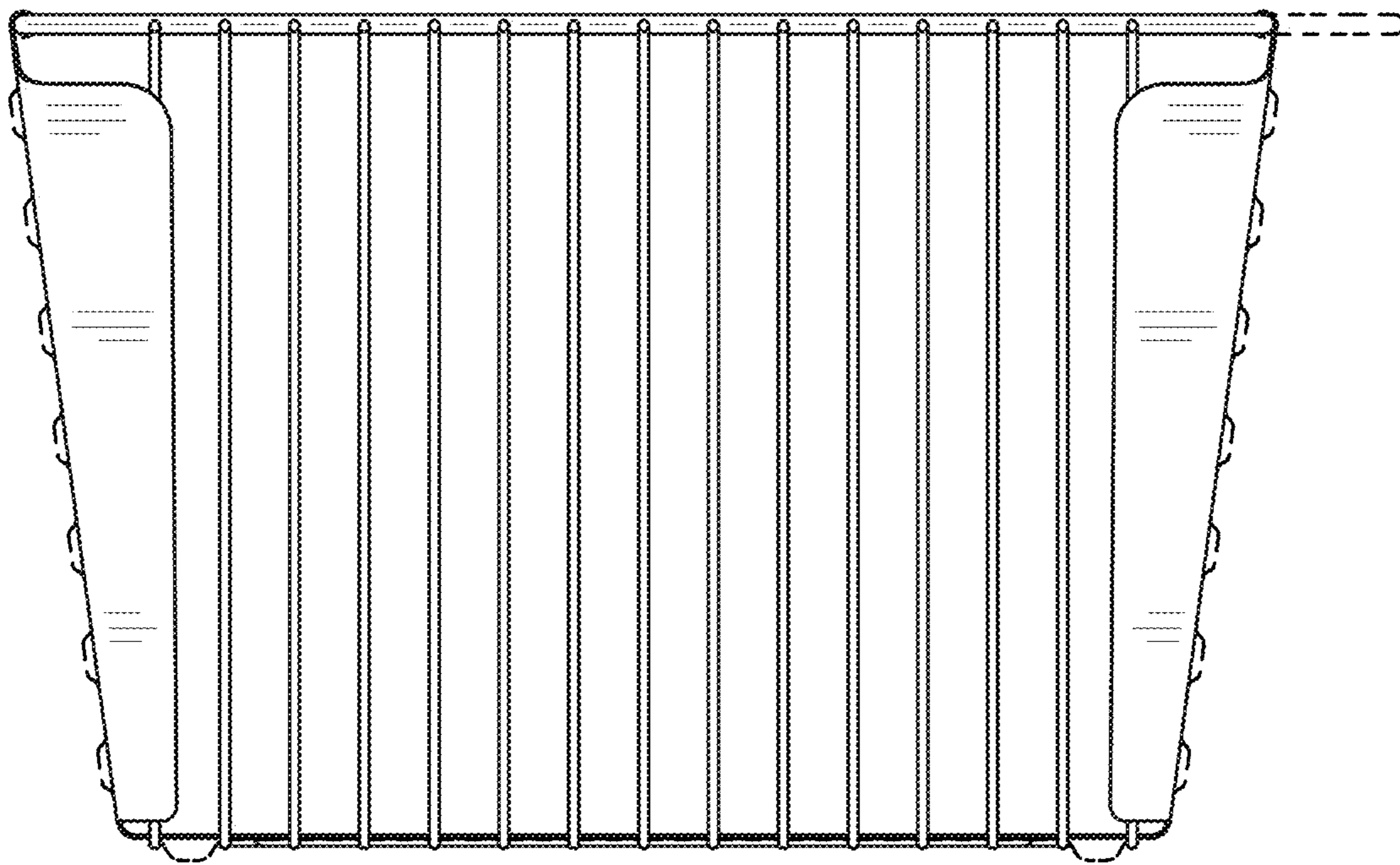


FIG. 4

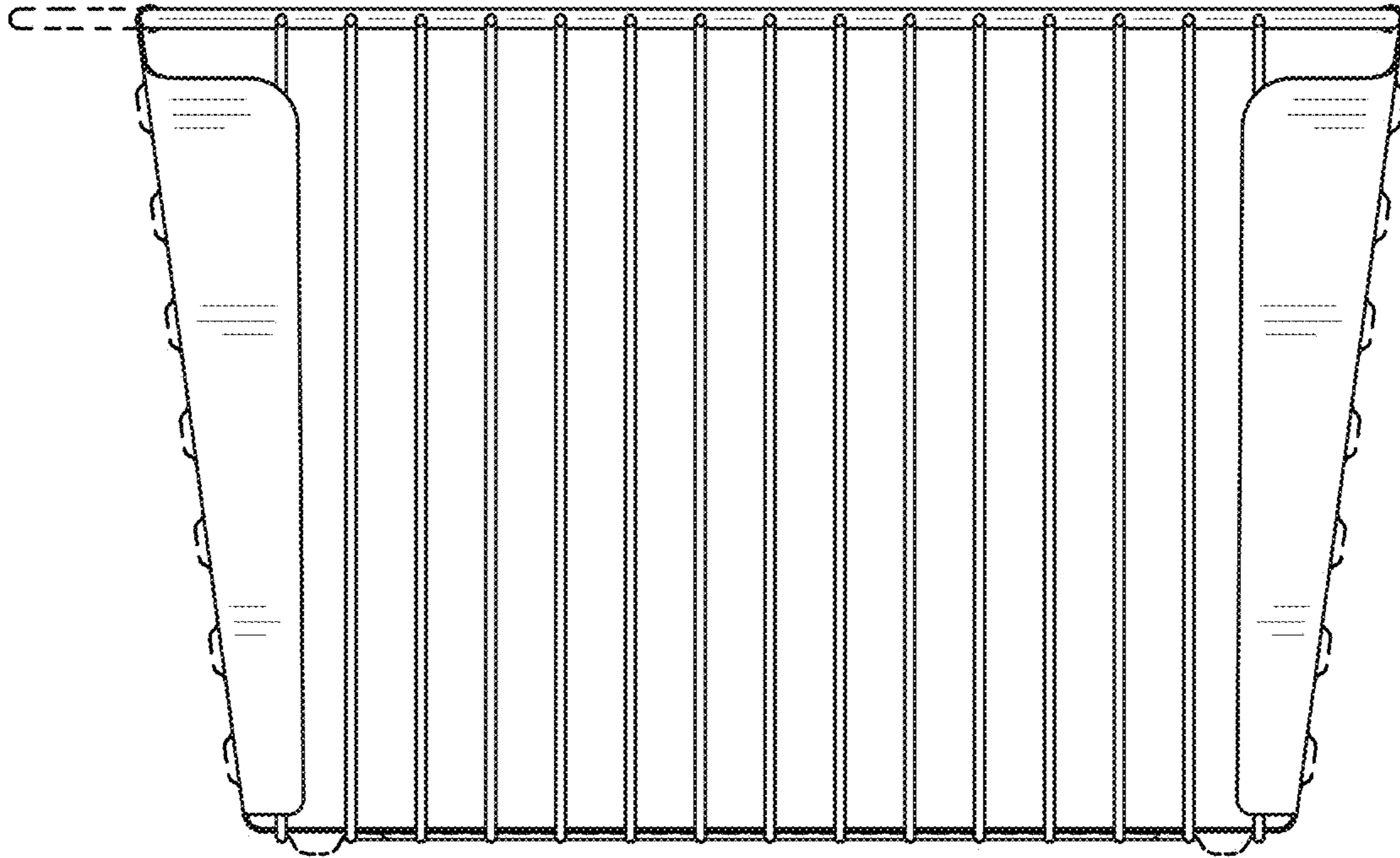


FIG. 5

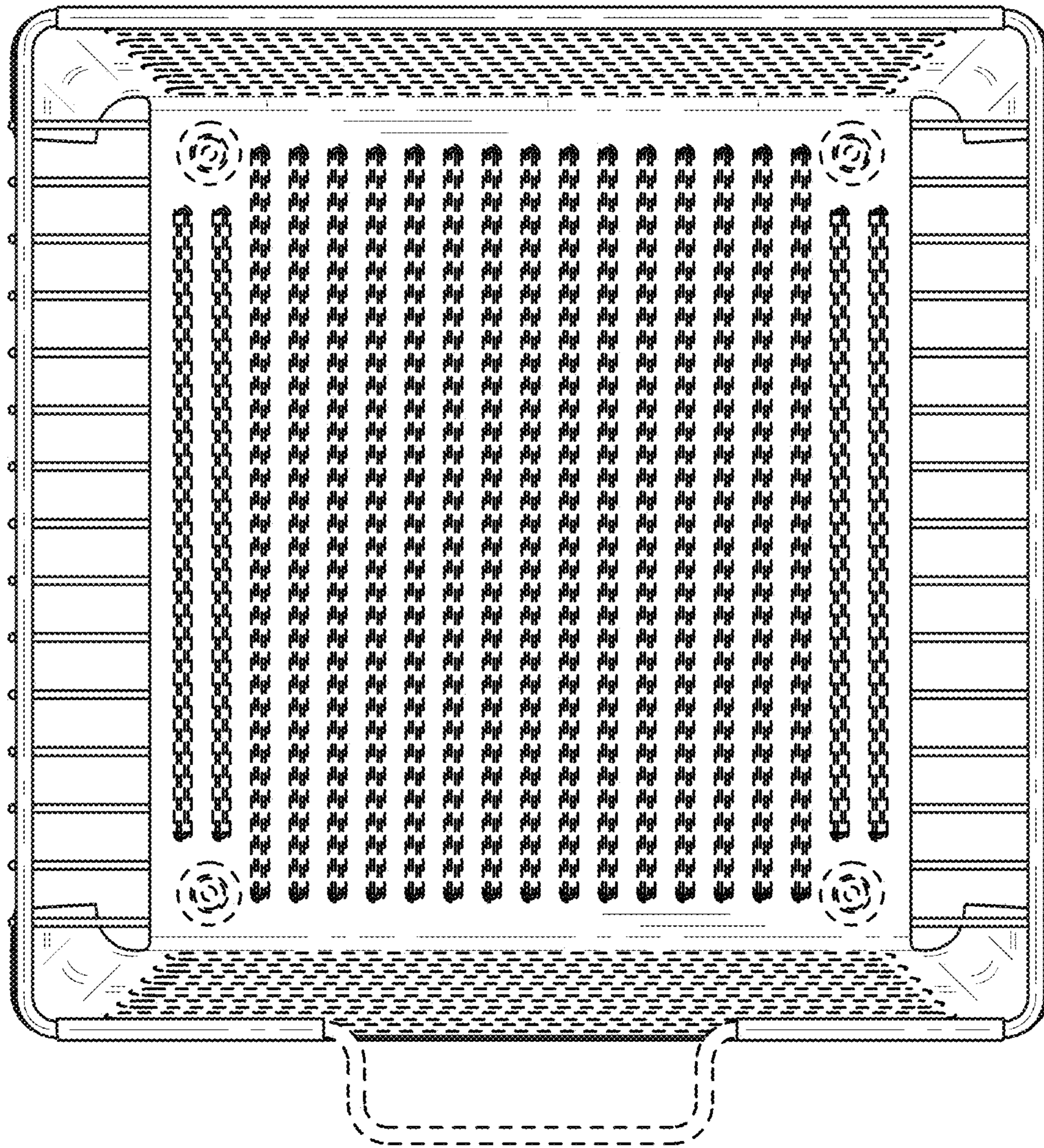


FIG. 6

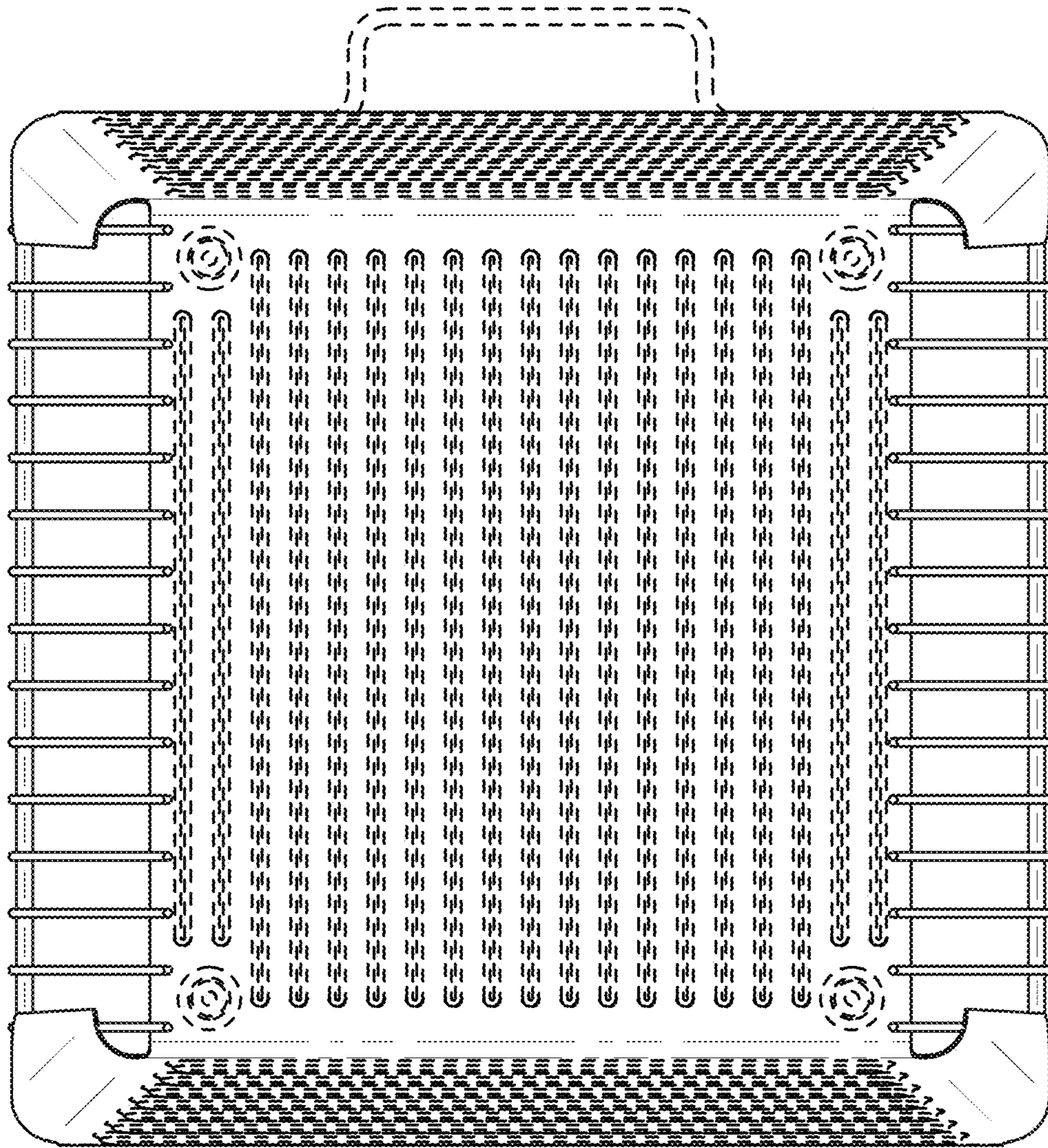


FIG. 7