



US00D938726S

(12) **United States Design Patent** (10) **Patent No.:** **US D938,726 S**  
**Stelmarski** (45) **Date of Patent:** **\*\* Dec. 21, 2021**

(54) **ORGANIZER**

(71) Applicant: **Interdesign, Inc.**, Solon, OH (US)  
(72) Inventor: **Brian Stelmarski**, Hudson, OH (US)  
(73) Assignee: **InterDesign, Inc.**, Solon, OH (US)

(\*\*) Term: **15 Years**

(21) Appl. No.: **29/777,251**

(22) Filed: **Apr. 5, 2021**

**Related U.S. Application Data**

(63) Continuation of application No. 29/713,375, filed on Nov. 15, 2019, now Pat. No. Des. 915,101, which is a continuation of application No. 29/618,242, filed on Sep. 20, 2017, now Pat. No. Des. 868,511.

(51) **LOC (13) Cl.** ..... **03-01**

(52) **U.S. Cl.**  
USPC ..... **D3/304**

(58) **Field of Classification Search**  
USPC ..... D3/304-314, 201; D9/424-425, 427, D9/432; 206/373, 503, 505-507, 519, 206/557, 676; D6/683; D19/75-92, 99  
CPC .. B43M 99/00; B43M 99/001; B43M 99/008; B43M 99/009  
See application file for complete search history.

(56) **References Cited**

**U.S. PATENT DOCUMENTS**

D274,967 S *	8/1984	Taylor	.....	D3/304
D433,709 S *	11/2000	Hardy	.....	D19/75
D495,490 S *	9/2004	Garrett	.....	D3/304
D506,312 S *	6/2005	Moon	.....	D3/304
D530,919 S *	10/2006	Snell	.....	D3/304
D530,921 S *	10/2006	Snell	.....	D3/304
D551,453 S *	9/2007	Snell	.....	D3/304
D555,904 S *	11/2007	Snell	.....	D3/304
D585,195 S *	1/2009	Dominique	.....	D3/304
D591,510 S *	5/2009	Auer	.....	D3/304

D600,916 S *	9/2009	Schäfer	.....	D3/304
D612,608 S *	3/2010	Snell	.....	D3/304
D643,585 S *	8/2011	Duvigneau	.....	D32/37
D665,848 S *	8/2012	Lee	.....	D19/92
D683,963 S *	6/2013	Tsai	.....	D3/304
D689,946 S *	9/2013	Hu	.....	D19/92
D713,146 S *	9/2014	Ghiorghie	.....	D3/304

(Continued)

**OTHER PUBLICATIONS**

Amazon.com, mDesign Plastic Drawer Storage Organizer Bins Trays for Makeup Eye Shadow, Cosmetic Brushes, Lipstick, Gloss, Palettes, Lip Liners, Aug. 20, 2017, <https://www.amazon.com/mDesign-Organizer-Eyeshadow-Cosmetics-Organization/dp/B01N5R7GX8/>(Year: 2017).\*

*Primary Examiner* — Nathan M Johnston

(74) *Attorney, Agent, or Firm* — Calfee, Halter & Griswold LLP

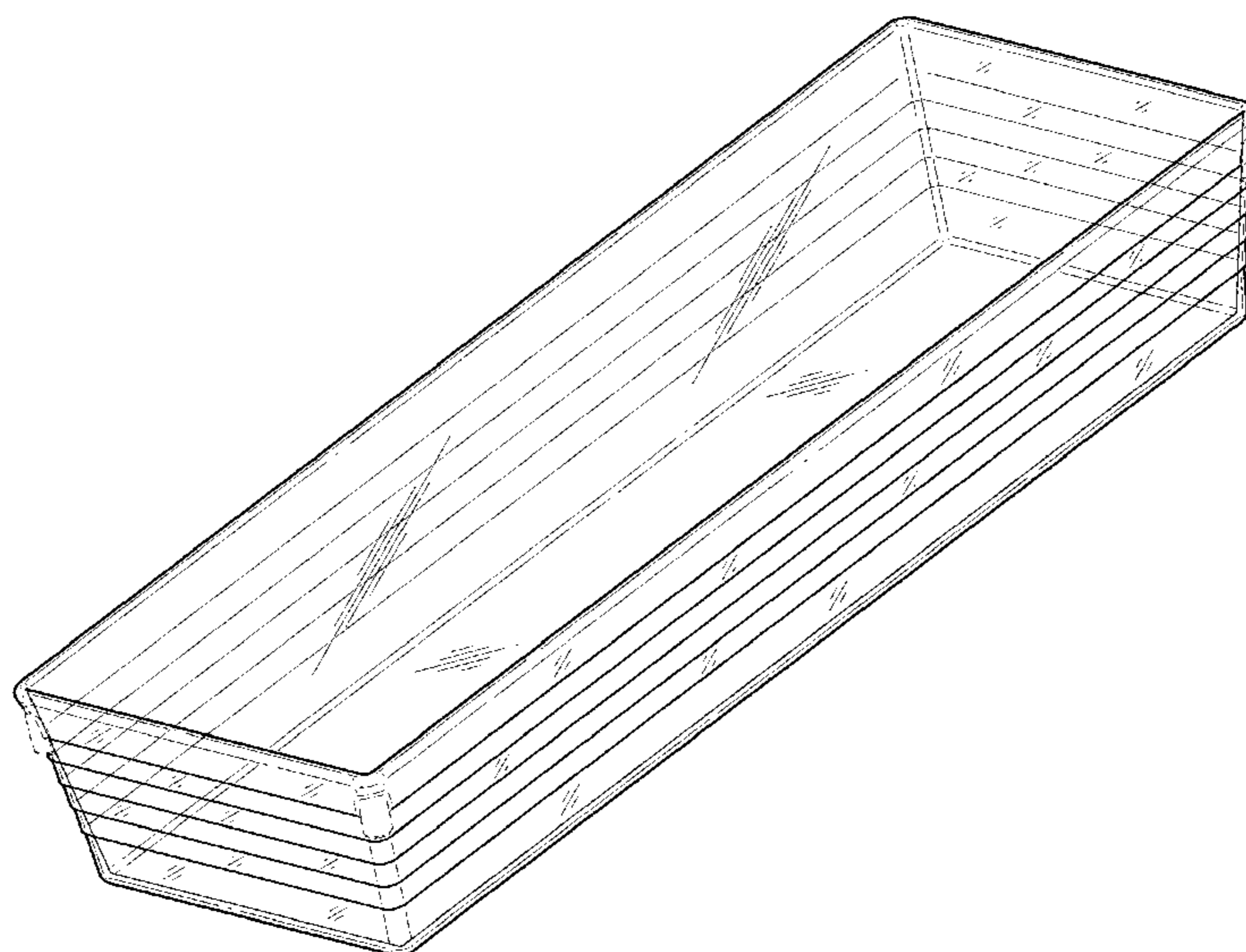
(57) **CLAIM**

I claim the ornamental design for an organizer, as shown and described.

**DESCRIPTION**

FIG. 1 is a front/right/top perspective view of an organizer (a front/left/top perspective view would be a mirror image thereof); FIG. 2 is a rear/left/bottom perspective view thereof (a rear/right/bottom perspective view would be a mirror image thereof); FIG. 3 is a front elevational view thereof (a rear elevation view would be a mirror image thereof); FIG. 4 is a left side elevational view thereof (a right side elevational view would be a mirror image thereof); FIG. 5 is a top plan view thereof; and, FIG. 6 is a bottom plan view thereof. The broken lines show portions of the organizer that form no part of the claimed design.

**1 Claim, 5 Drawing Sheets**



(56)

**References Cited**

U.S. PATENT DOCUMENTS

D730,128 S *	5/2015	Hu	.....	D7/637
D731,256 S *	6/2015	Hu	.....	D7/637
D802,927 S *	11/2017	Thoma	.....	D3/307
D806,391 S *	1/2018	Ghiorghie	.....	D3/304
D809,797 S *	2/2018	Kraemer	.....	D3/307
D816,998 S *	5/2018	Greenwood	.....	D3/312
D832,115 S *	10/2018	Fitchett	.....	D9/711
D915,073 S *	4/2021	Kraemer	.....	D3/307
D925,226 S *	7/2021	Hazelton	.....	D3/304

\* cited by examiner

**FIG. 1**

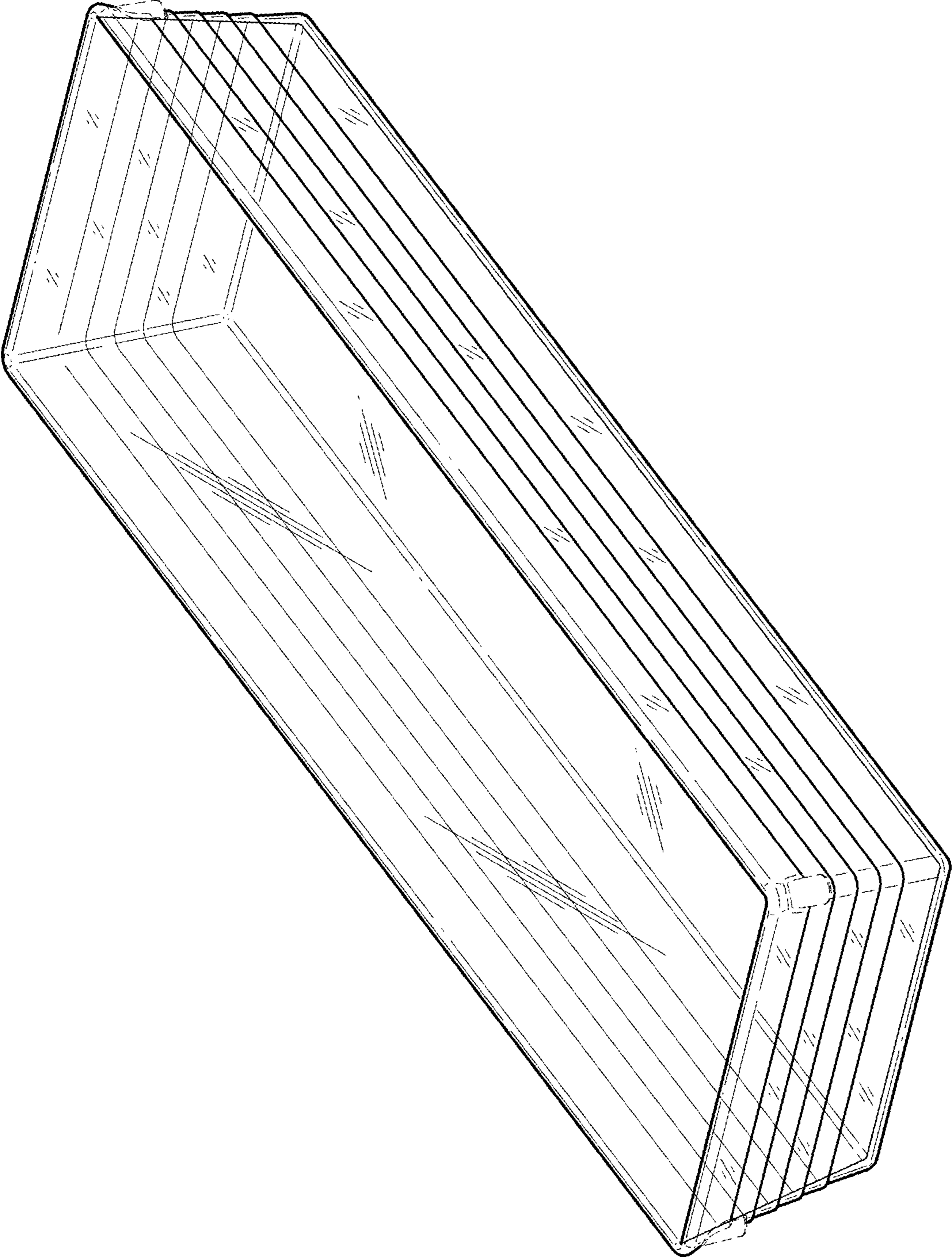
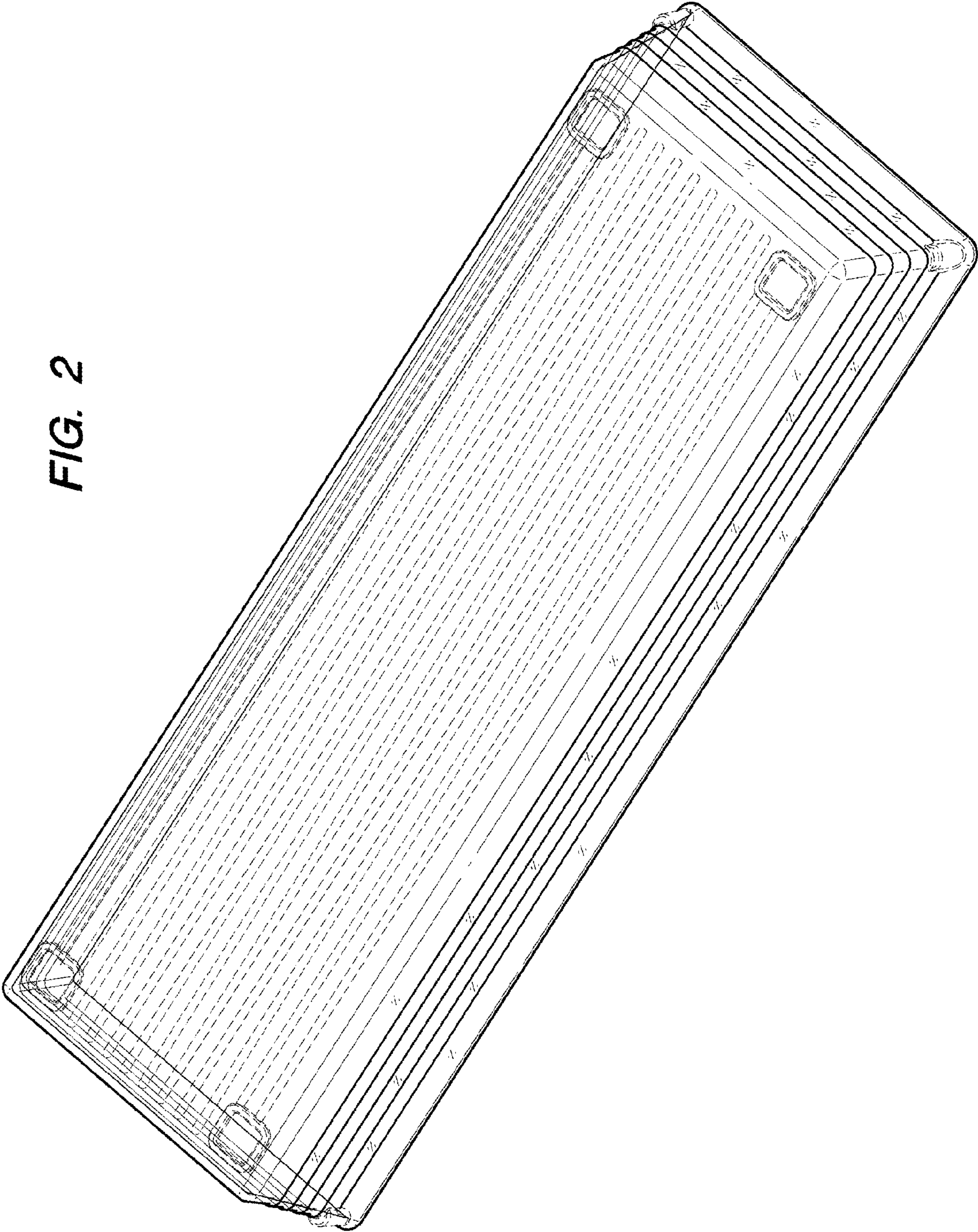
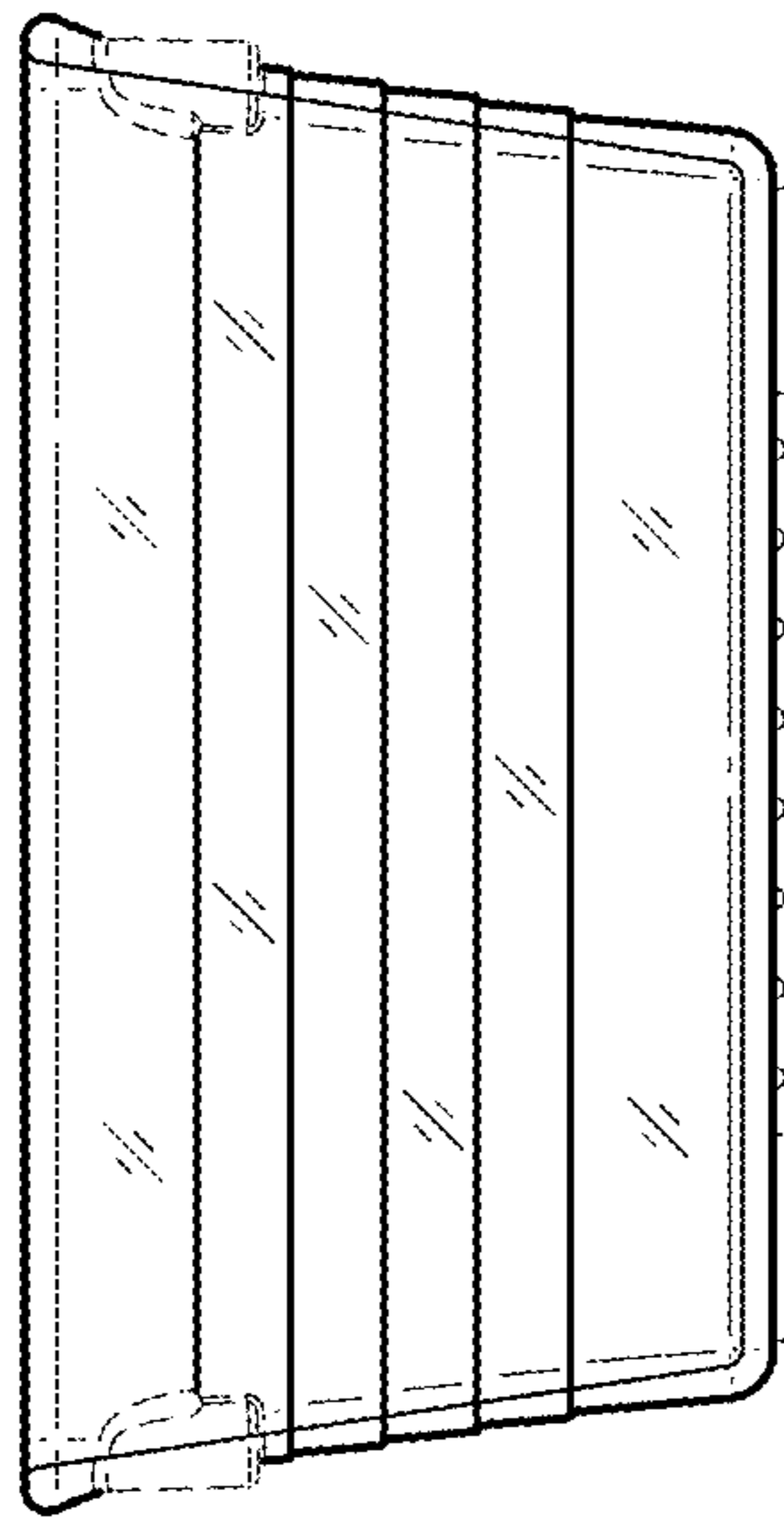


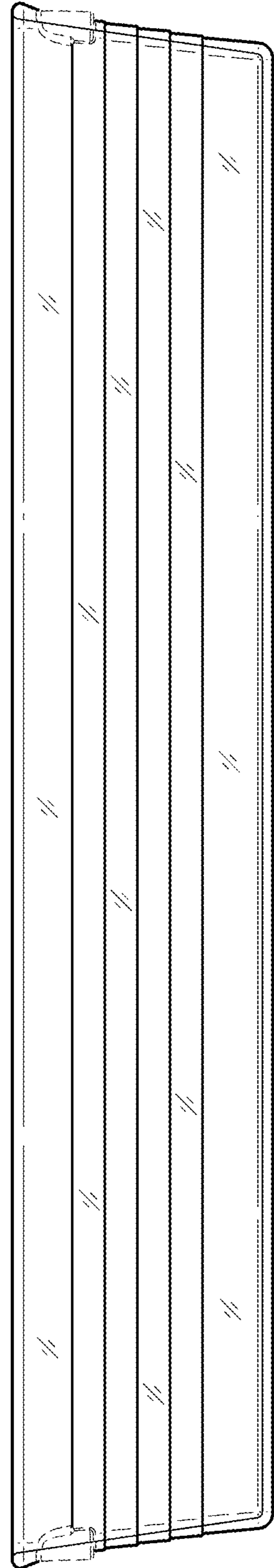
FIG. 2



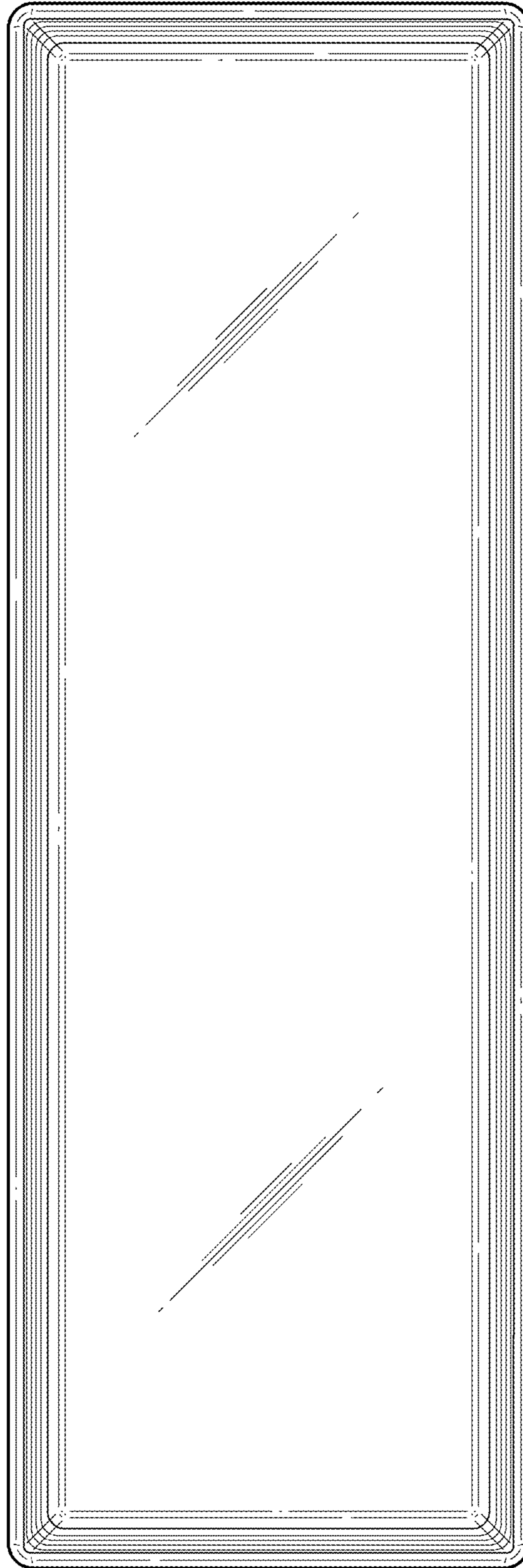
**FIG. 3**



**FIG. 4**



**FIG. 5**



**FIG. 6**

