



US00D938725S

(12) **United States Design Patent** (10) **Patent No.:** **US D938,725 S**
Hsu (45) **Date of Patent:** **** Dec. 21, 2021**

(54) **CONTAINER**

(71) Applicant: **L&F PLASTICS, CO., LTD.**, Miaoli County (TW)
(72) Inventor: **Mu-Chuan Hsu**, Miaoli County (TW)
(73) Assignee: **L&F Plastics, Co., Ltd.**, Miaoli County (TW)
(**) Term: **15 Years**

(21) Appl. No.: **29/737,875**

(22) Filed: **Jun. 12, 2020**

(51) **LOC (13) Cl.** **03-01**

(52) **U.S. Cl.**
USPC **D3/304**

(58) **Field of Classification Search**
USPC D6/672, 675, 682, 682.1, 683; D3/304, D3/307, 308, 309, 314, 315
CPC ... B65D 1/00; B65D 1/22; B65D 1/24; B65D 1/243; B65D 11/20
See application file for complete search history.

(56) **References Cited**

U.S. PATENT DOCUMENTS

3,170,594 A * 2/1965 Nascher B65D 21/045 206/507
D326,345 S * 5/1992 Mandell D3/312
D360,898 S * 8/1995 Huerto D19/75
(Continued)

Primary Examiner — Kelley A Donnelly

(74) *Attorney, Agent, or Firm* — Karin L. Williams; Alan D. Kamrath; Mayer & Williams PC

(57) **CLAIM**

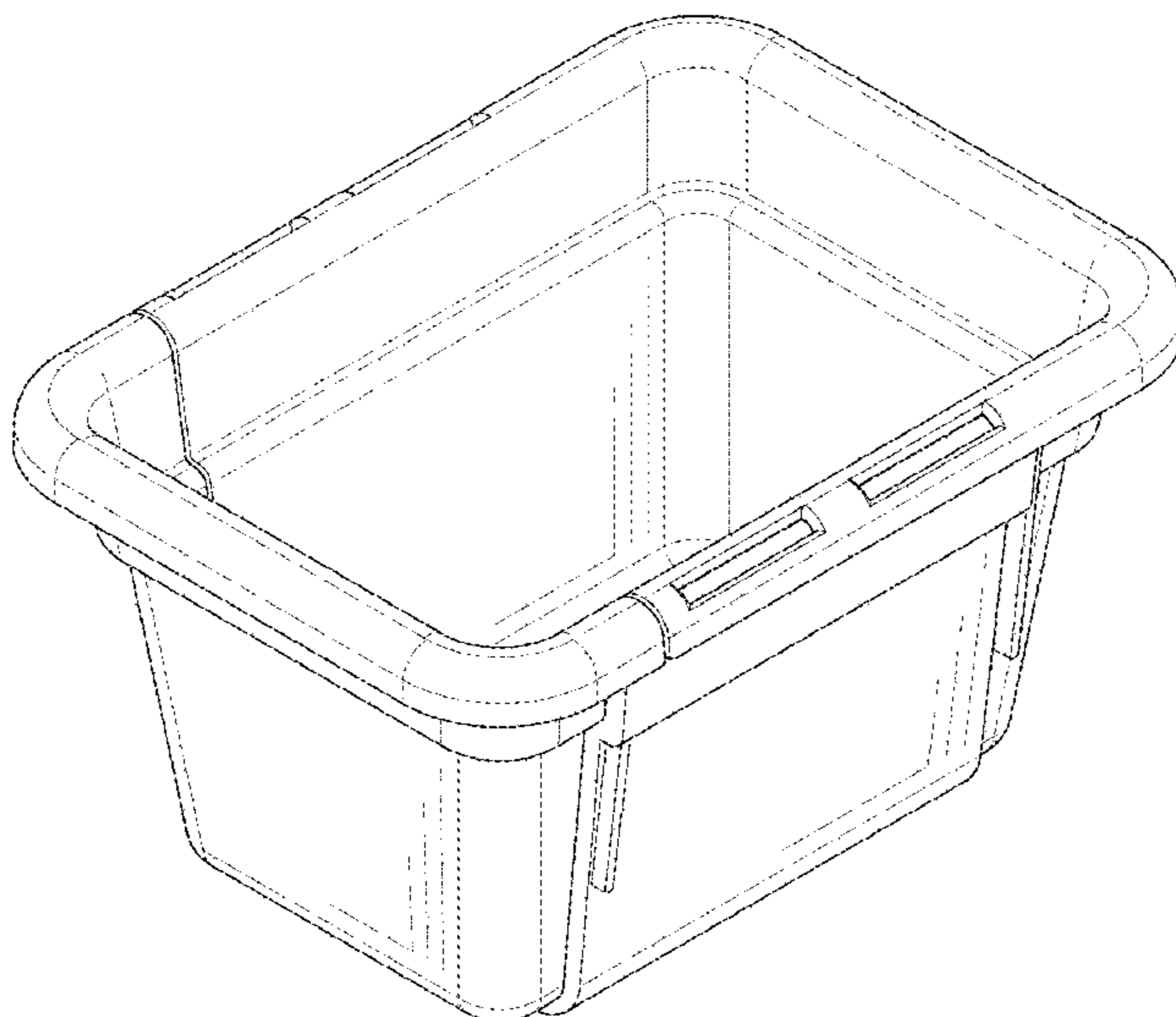
The ornamental design for a container, as shown and described.

DESCRIPTION

FIG. 1 is a front perspective view of a container showing a first embodiment of our new design;

FIG. 2 is a front view thereof;
FIG. 3 is a rear view thereof;
FIG. 4 is a right side view thereof and the left side view being a mirror image of the right side;
FIG. 5 is a top view thereof;
FIG. 6 is a bottom view thereof;
FIG. 7 is a reverse perspective view thereof;
FIG. 8 is a perspective view thereof in the used state;
FIG. 9 is a front perspective view of a container showing a second embodiment of our new design;
FIG. 10 is a front view thereof;
FIG. 11 is a rear view thereof;
FIG. 12 is a right side view thereof and the left side view being a mirror image of the right side;
FIG. 13 is a top view thereof;
FIG. 14 is a bottom view thereof;
FIG. 15 is a reverse perspective view thereof;
FIG. 16 is a perspective view thereof in the used state;
FIG. 17 is a front perspective view of a container showing a third embodiment of our new design;
FIG. 18 is a front view thereof;
FIG. 19 is a rear view thereof;
FIG. 20 is a right side view thereof and the left side view being a mirror image of the right side;
FIG. 21 is a top view thereof;
FIG. 22 is a bottom view thereof;
FIG. 23 is a reverse perspective view thereof;
FIG. 24 is a perspective view thereof in the used state;
FIG. 25 is a front perspective view of a container showing a fourth embodiment of our new design;
FIG. 26 is a front view thereof;
FIG. 27 is a rear view thereof;
FIG. 28 is a right side view thereof and the left side view being a mirror image of the right side;
FIG. 29 is a top view thereof;
FIG. 30 is a bottom view thereof;
FIG. 31 is a reverse perspective view thereof; and,
FIG. 32 is a perspective view thereof in the used state.

1 Claim, 30 Drawing Sheets



(56)

References Cited

U.S. PATENT DOCUMENTS

D363,662	S	*	10/1995	Plater	D3/304
D375,836	S	*	11/1996	Conti	D3/304
D420,799	S	*	2/2000	Douglas	D3/304
D431,362	S	*	10/2000	Conti	D3/304
D549,454	S	*	8/2007	Åhman	D3/304
D591,510	S	*	5/2009	Auer	D3/304
D649,839	S	*	12/2011	Stamper	D7/602
D654,690	S	*	2/2012	Sofy	D3/309
D708,018	S	*	7/2014	Carlson	D7/602
D717,119	S	*	11/2014	Carlson	D7/602
D717,121	S	*	11/2014	Carlson	D7/602
D717,122	S	*	11/2014	Carlson	D7/602
D734,610	S	*	7/2015	Christie	D3/304
D756,652	S	*	5/2016	Reinhart	D3/314
D762,387	S	*	8/2016	Green	D3/304
D832,577	S	*	11/2018	Ogilvie	D3/304
D834,315	S	*	11/2018	Reinhart	D3/312
D837,521	S	*	1/2019	Connors	D3/304
D903,322	S	*	12/2020	Zhang	D3/304
D908,441	S	*	1/2021	Samartgis	D7/602
D913,044	S	*	3/2021	Samartgis	D7/602
D913,045	S	*	3/2021	Samartgis	D7/602
D923,338	S	*	6/2021	Abadia	D3/307
2019/0023464	A1	*	1/2019	Ogilvie	A47J 47/10

* cited by examiner

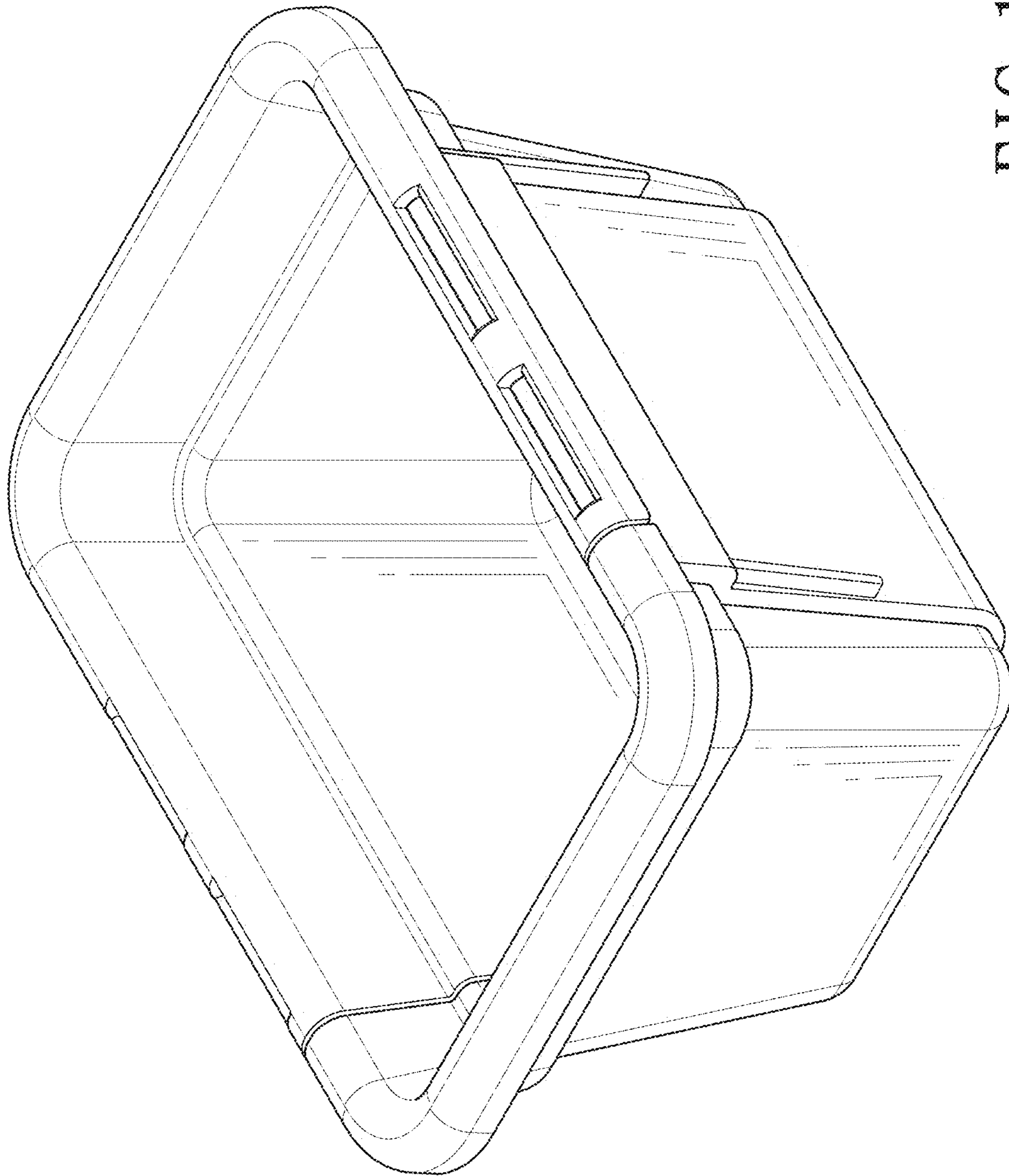


FIG. 1

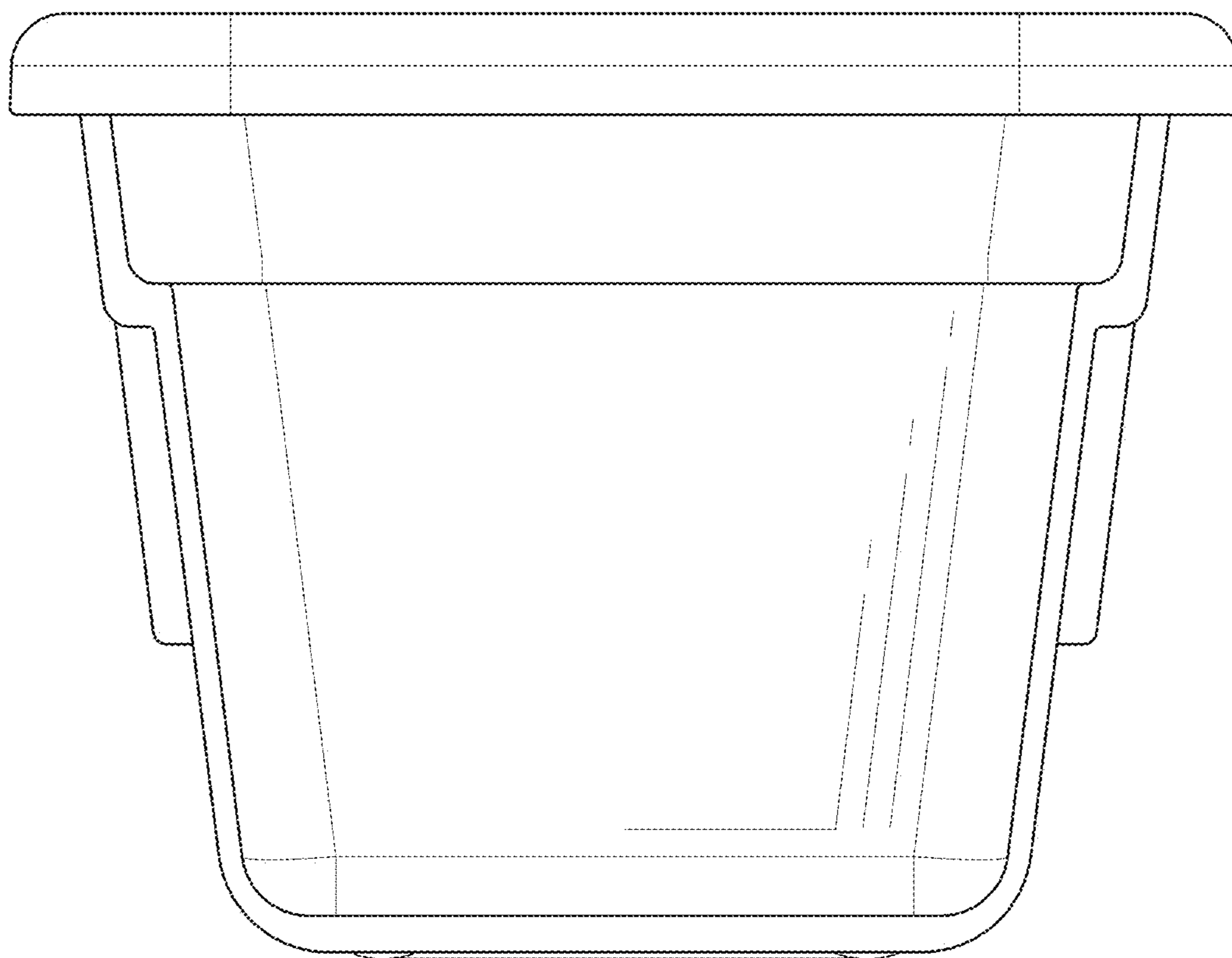


FIG. 2

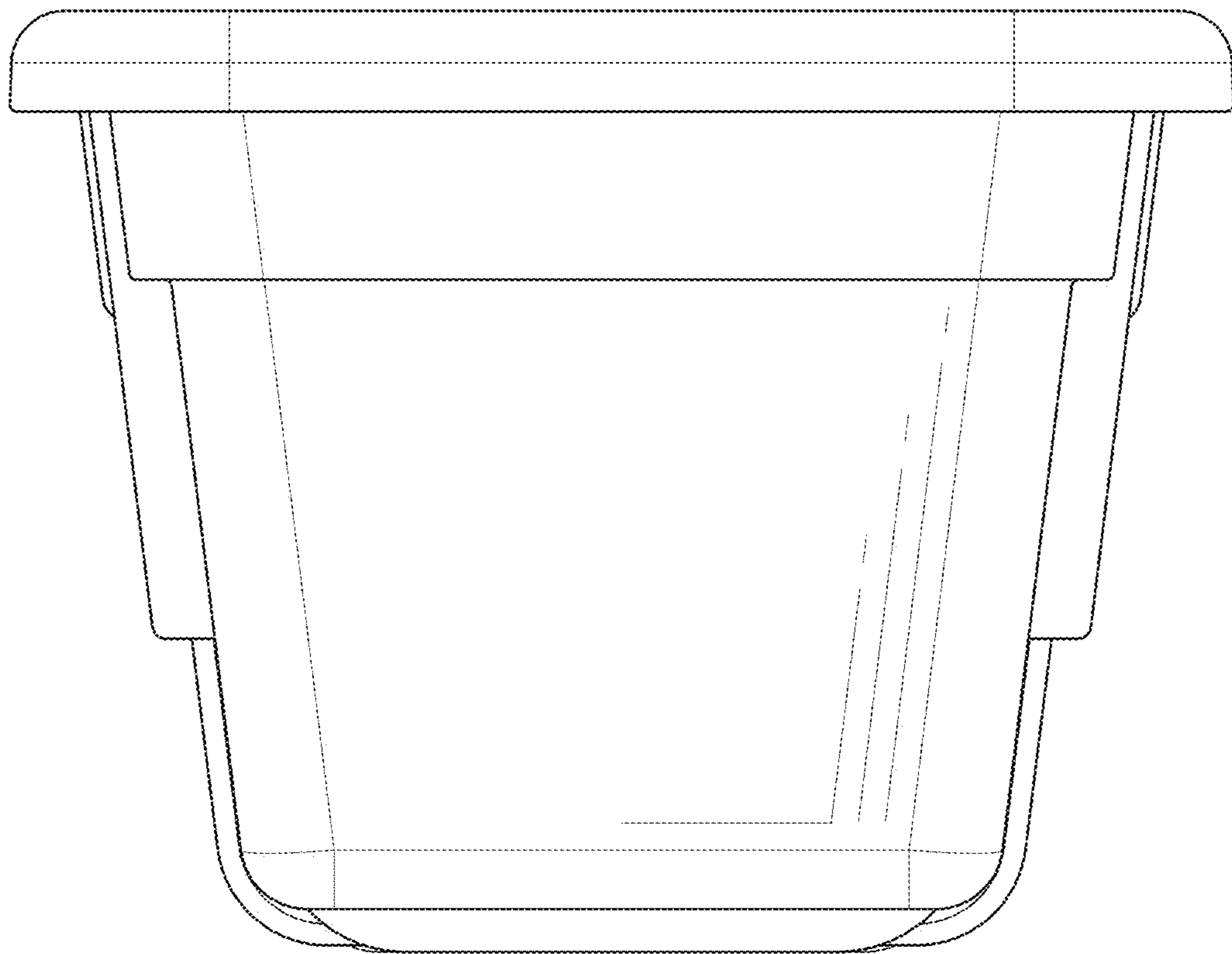


FIG. 3

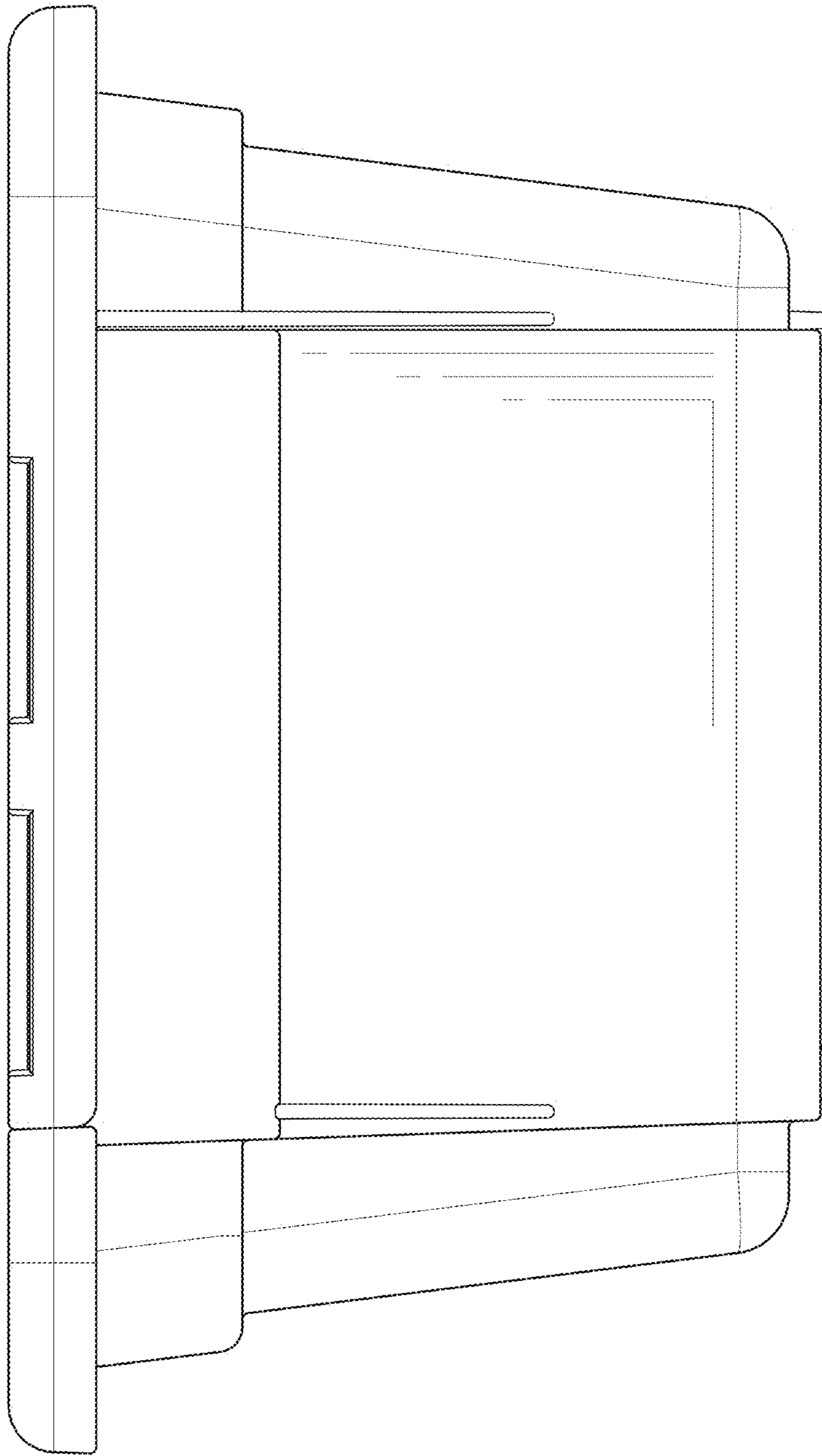


FIG. 4

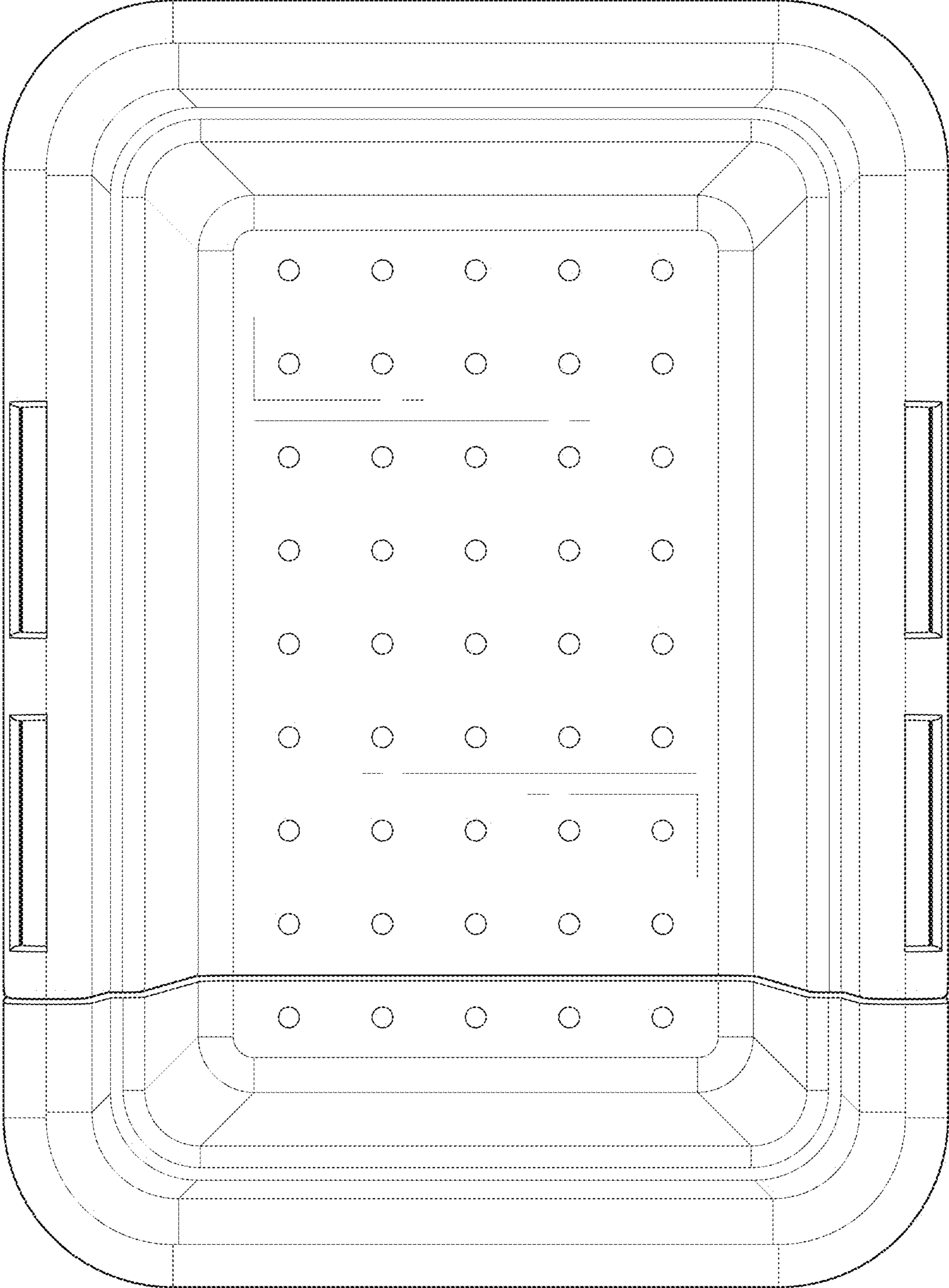


FIG. 5

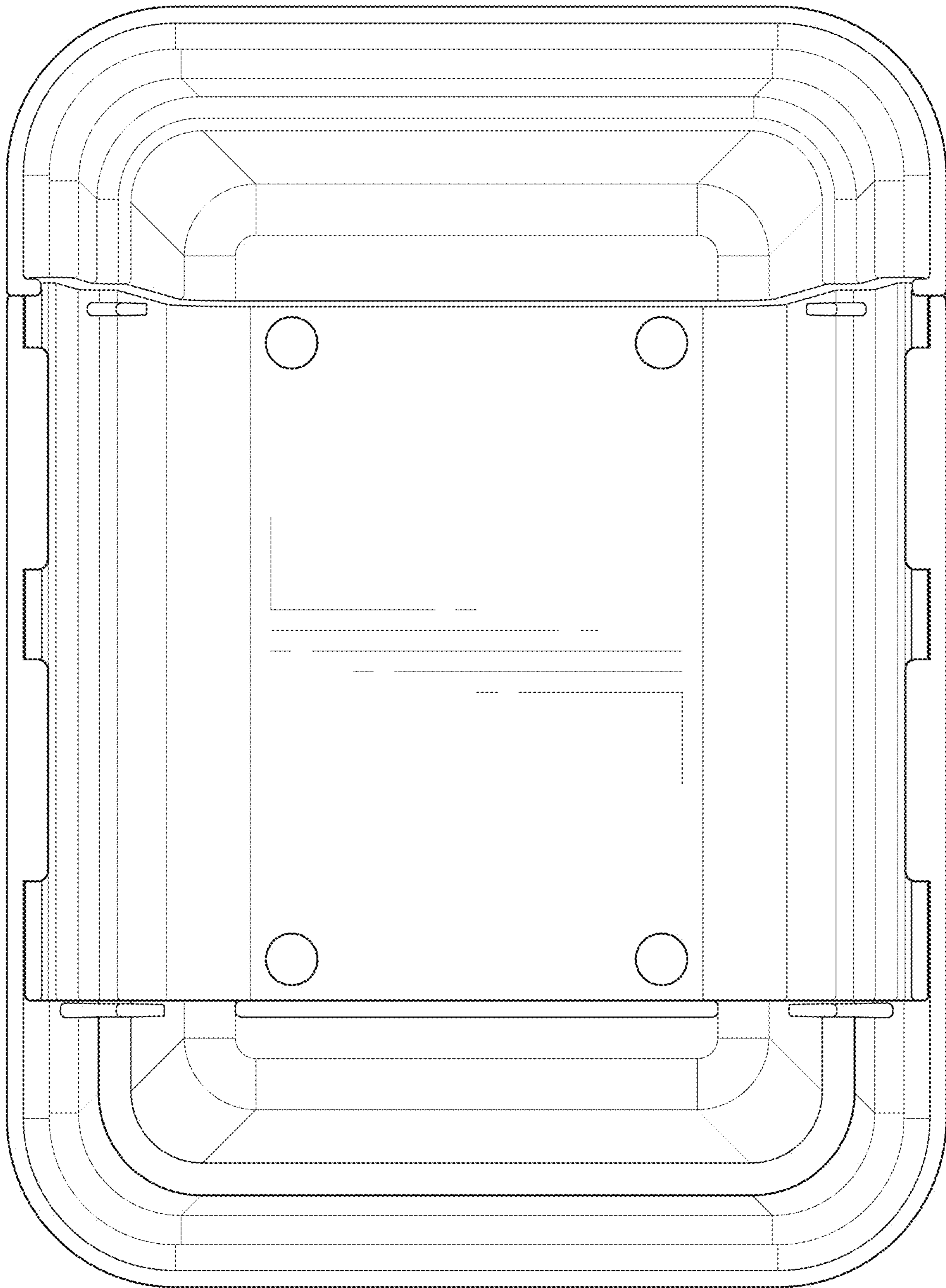


FIG. 6

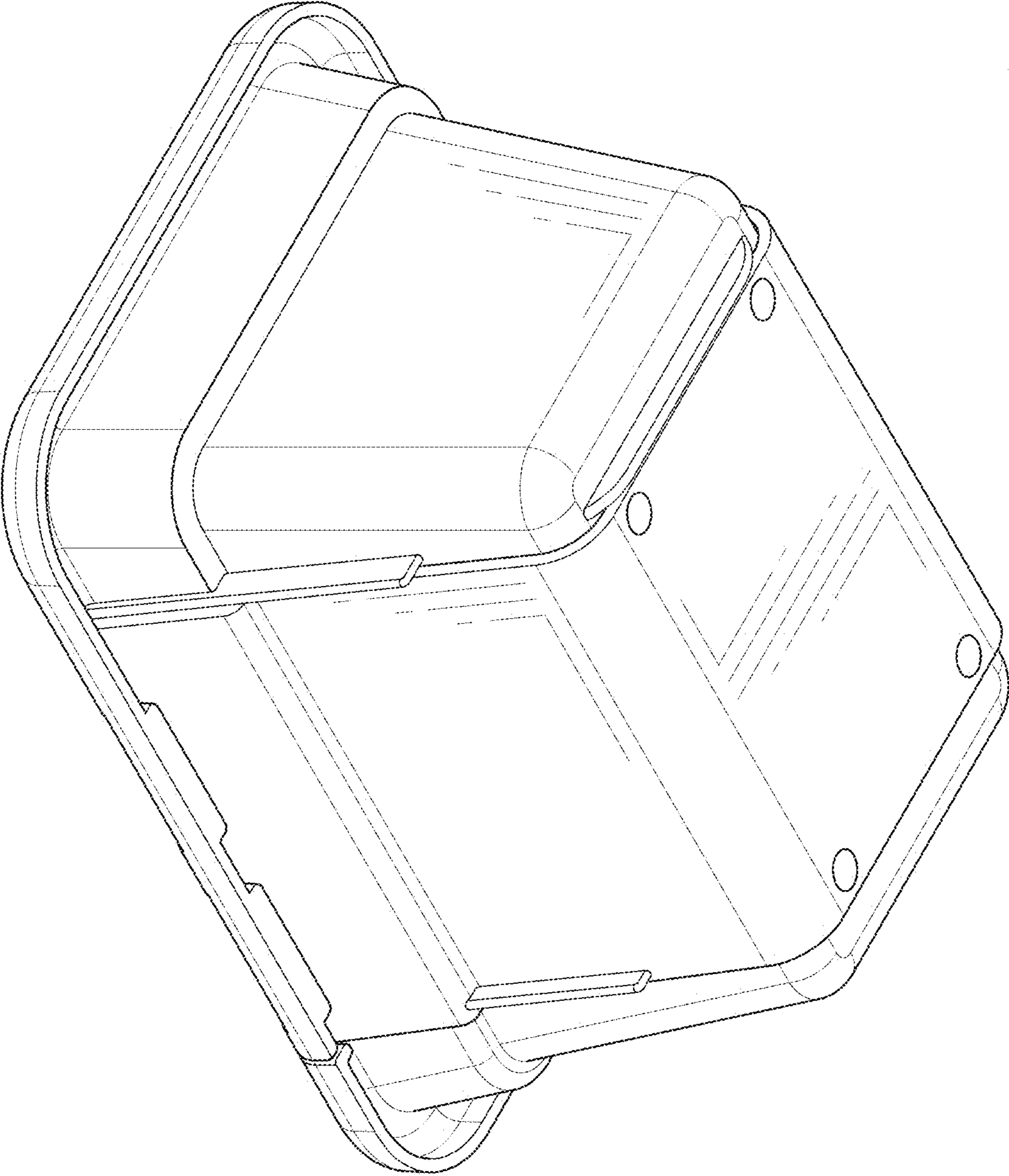


FIG. 7

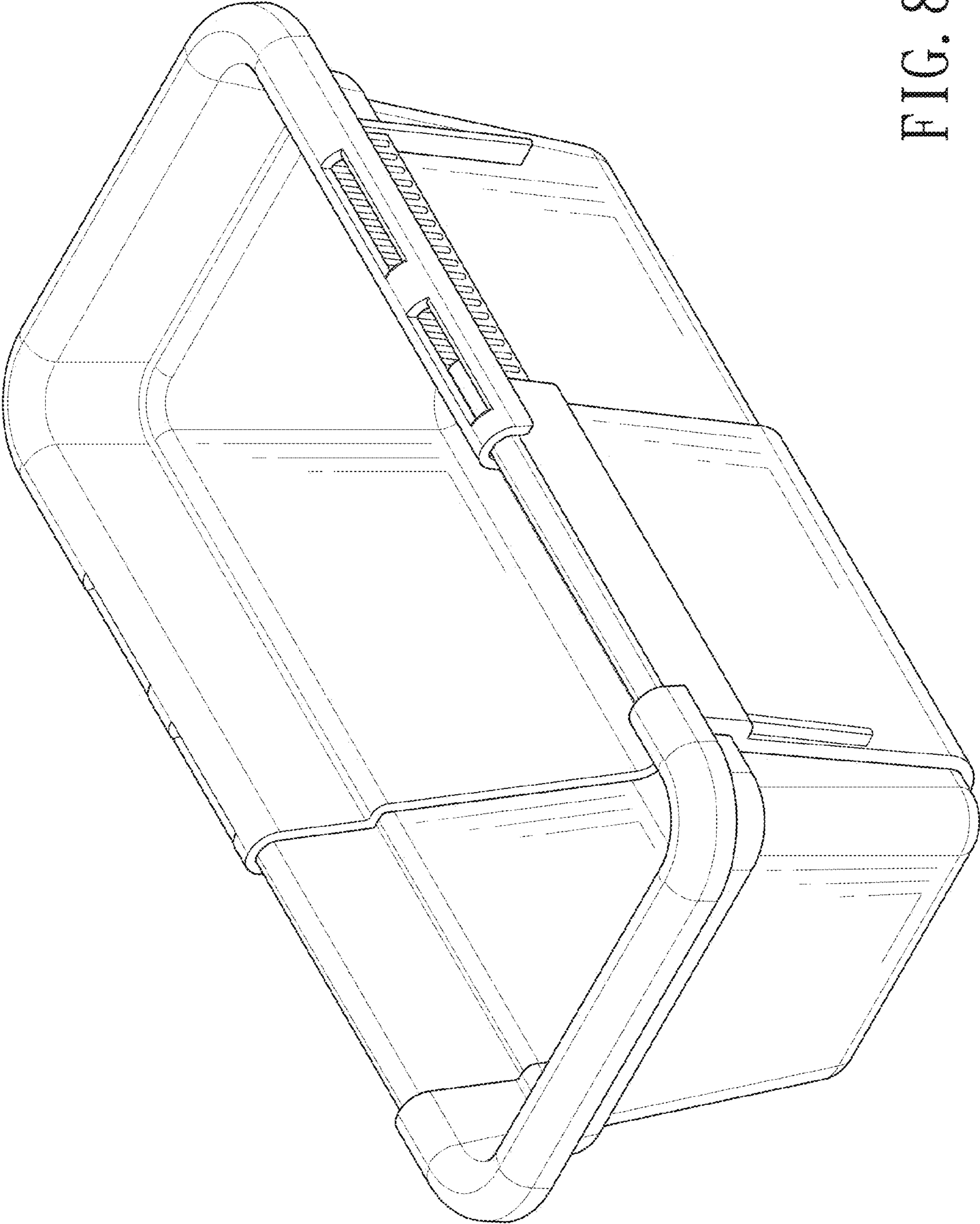


FIG. 8

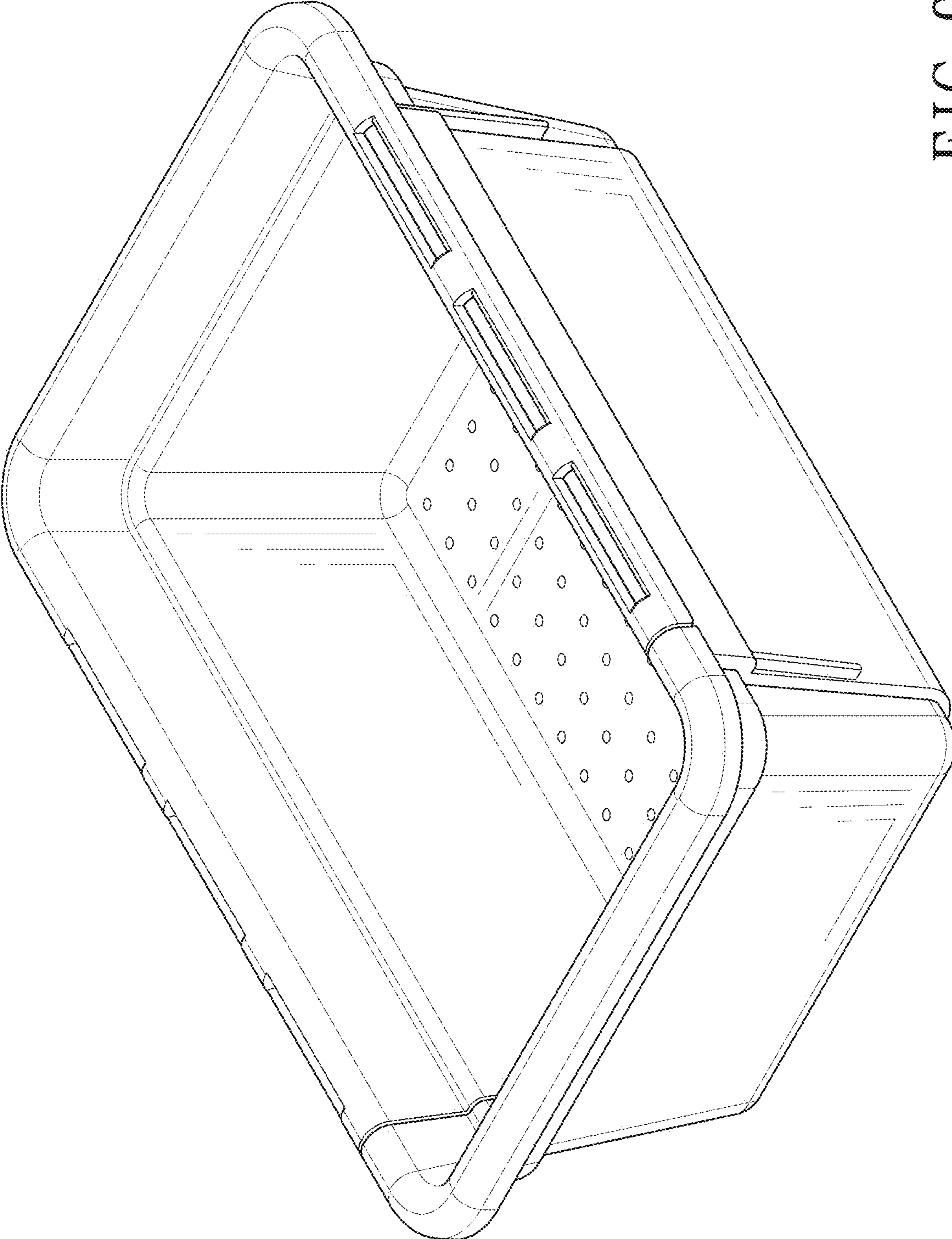


FIG. 9

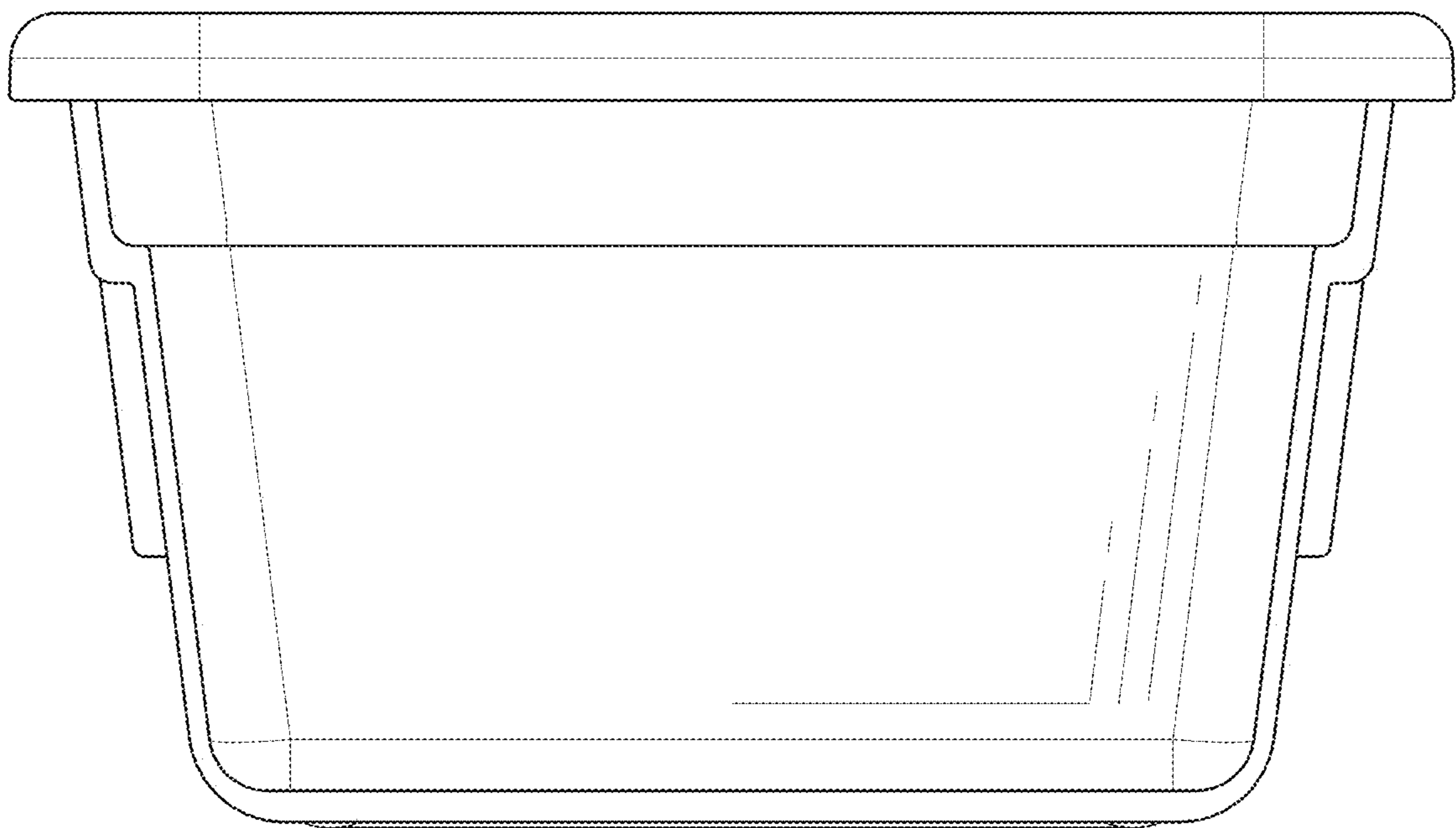


FIG. 10

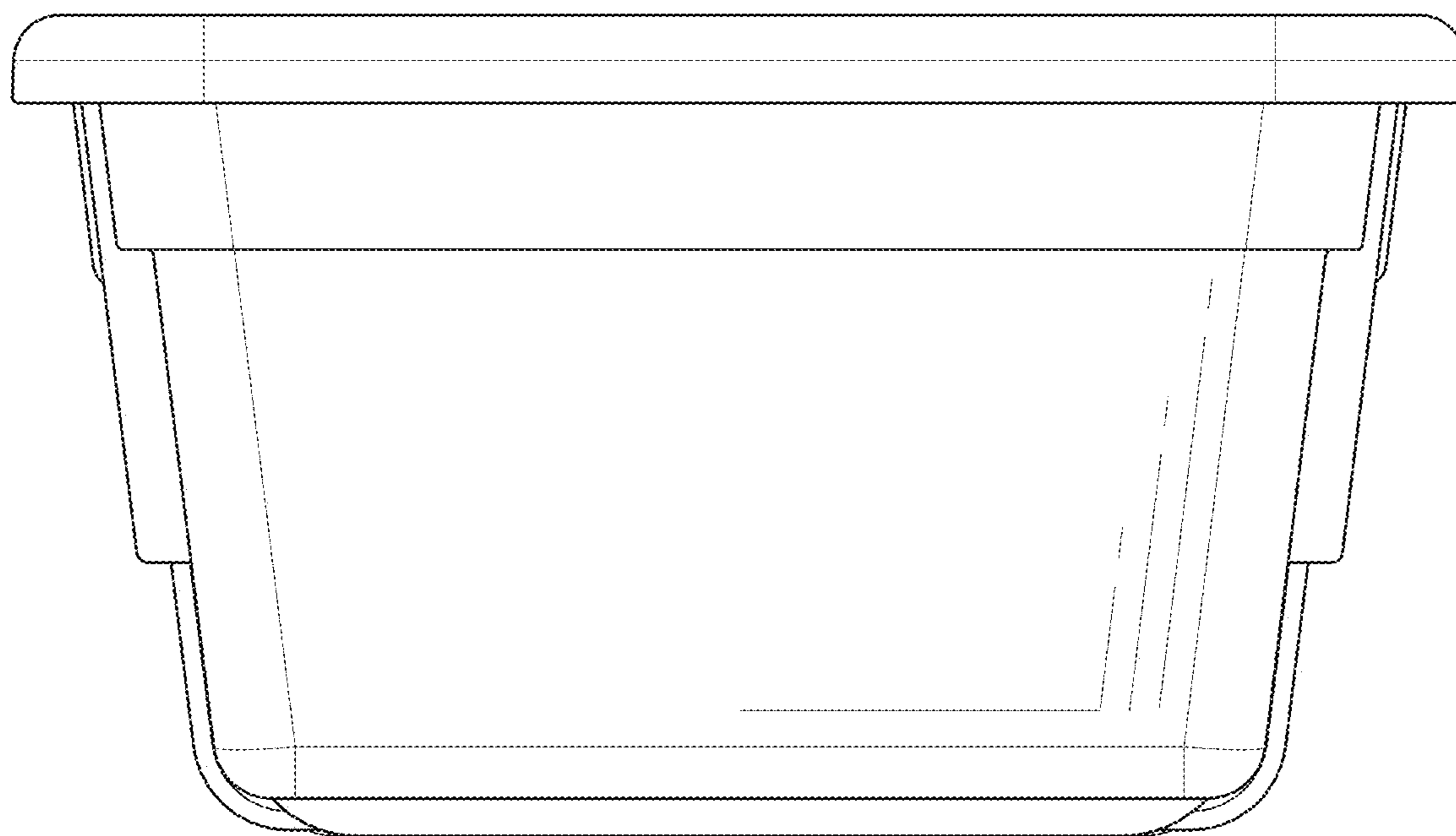


FIG. 11

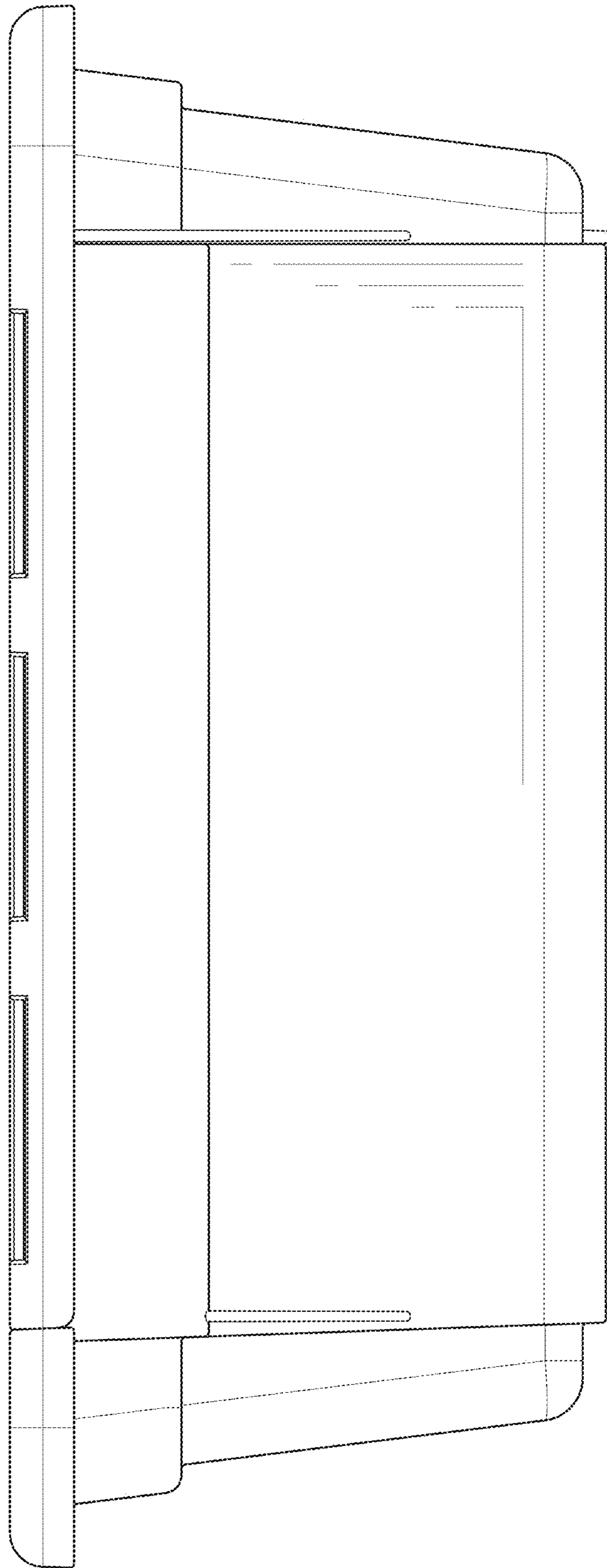


FIG. 12

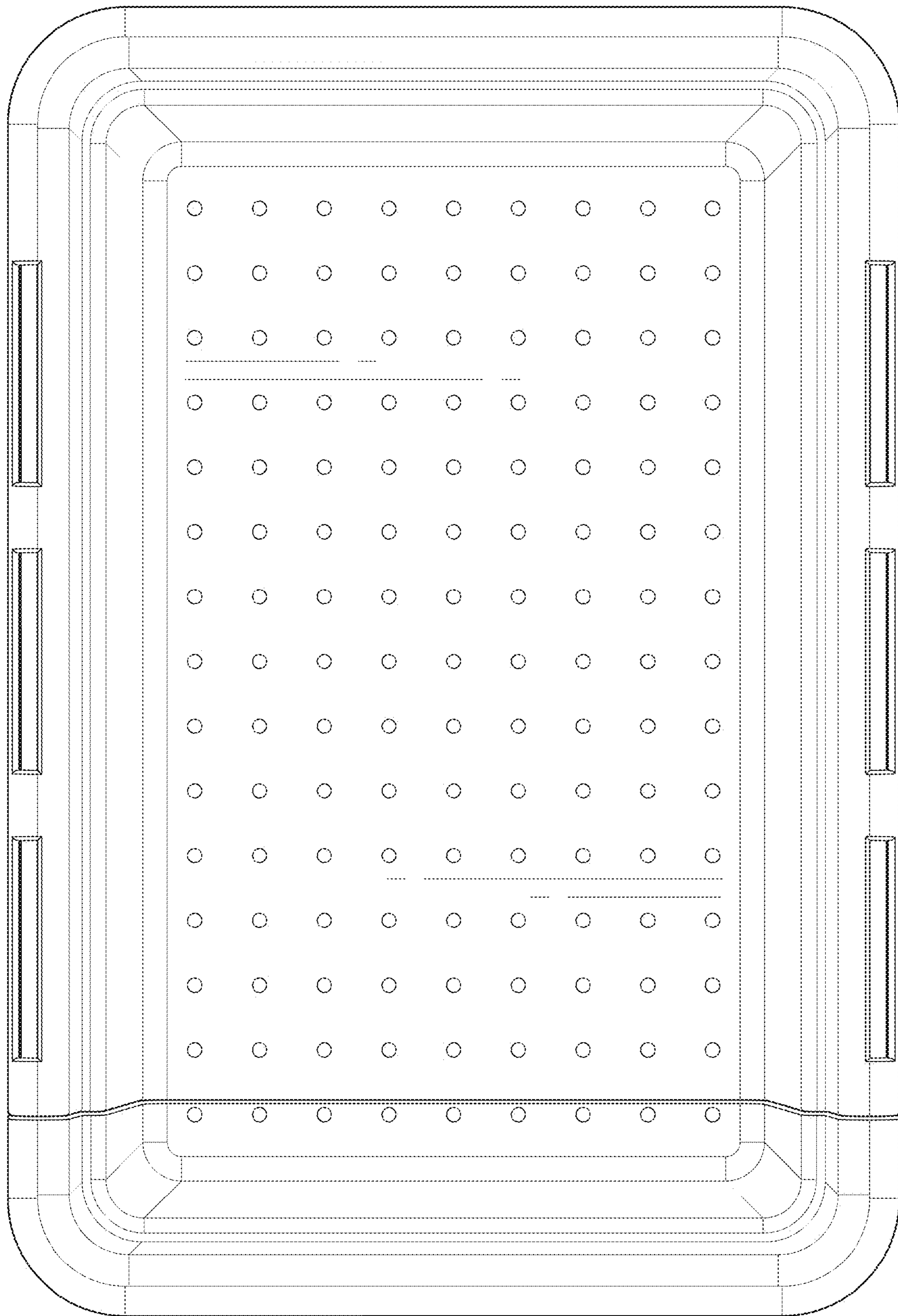


FIG. 13

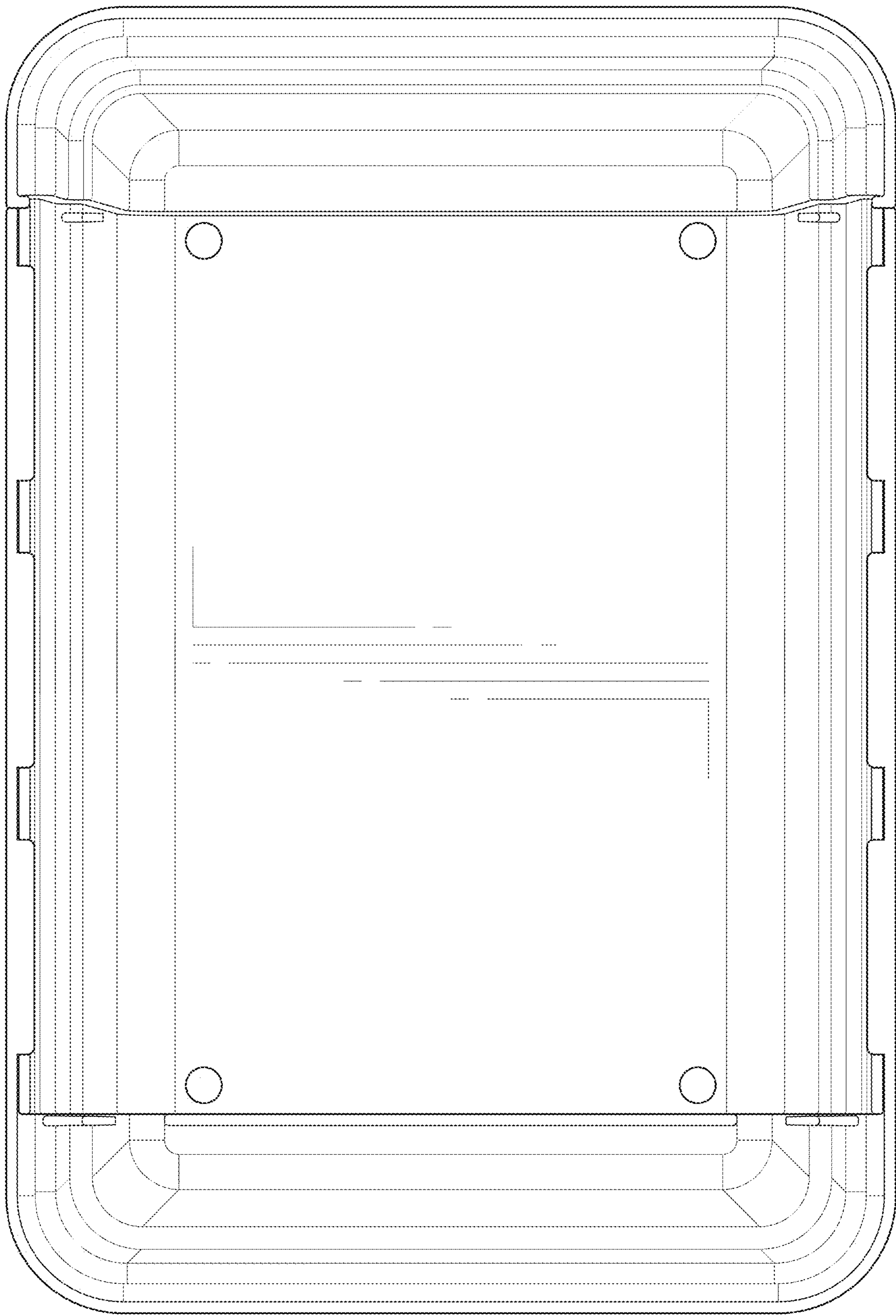


FIG. 14

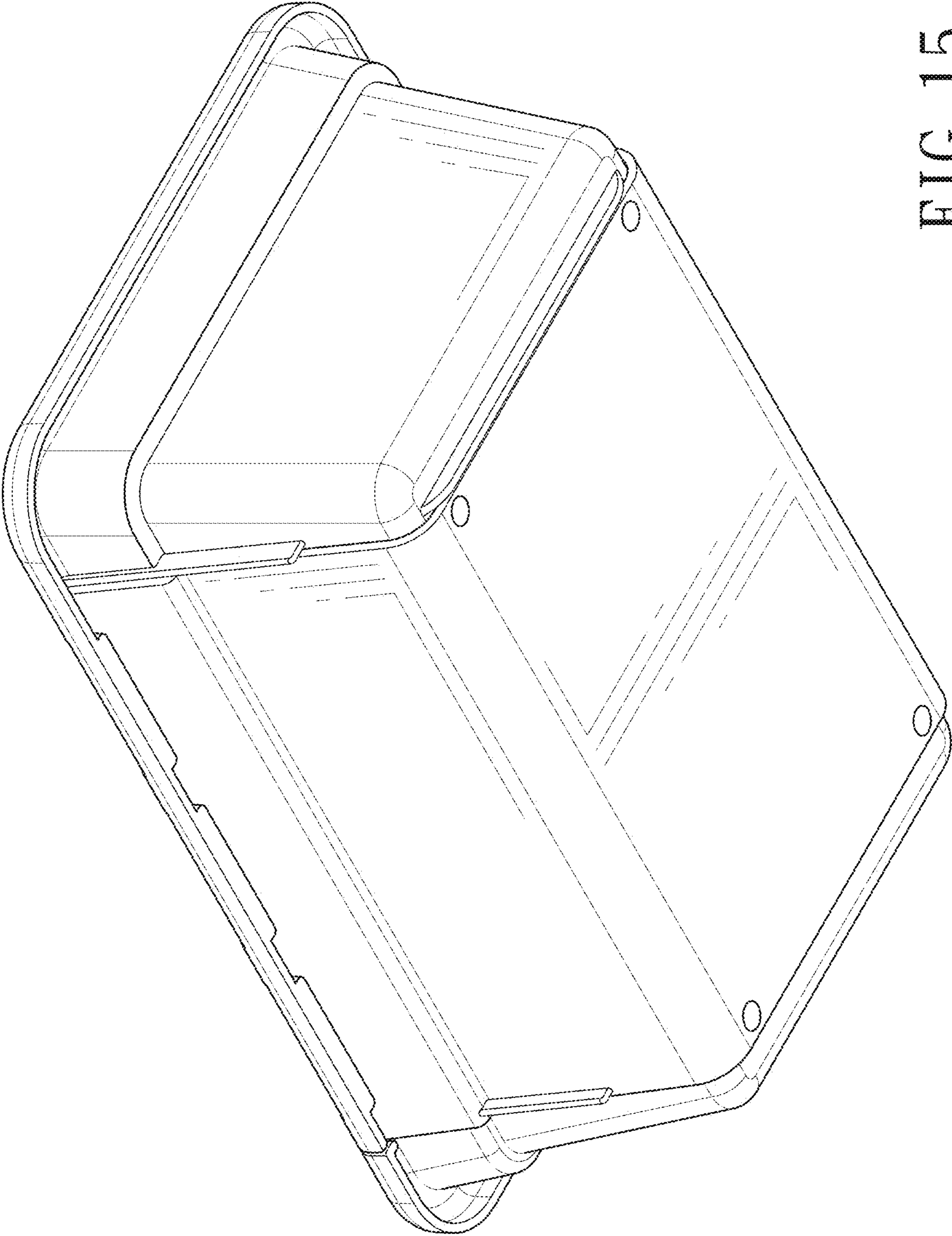


FIG. 15

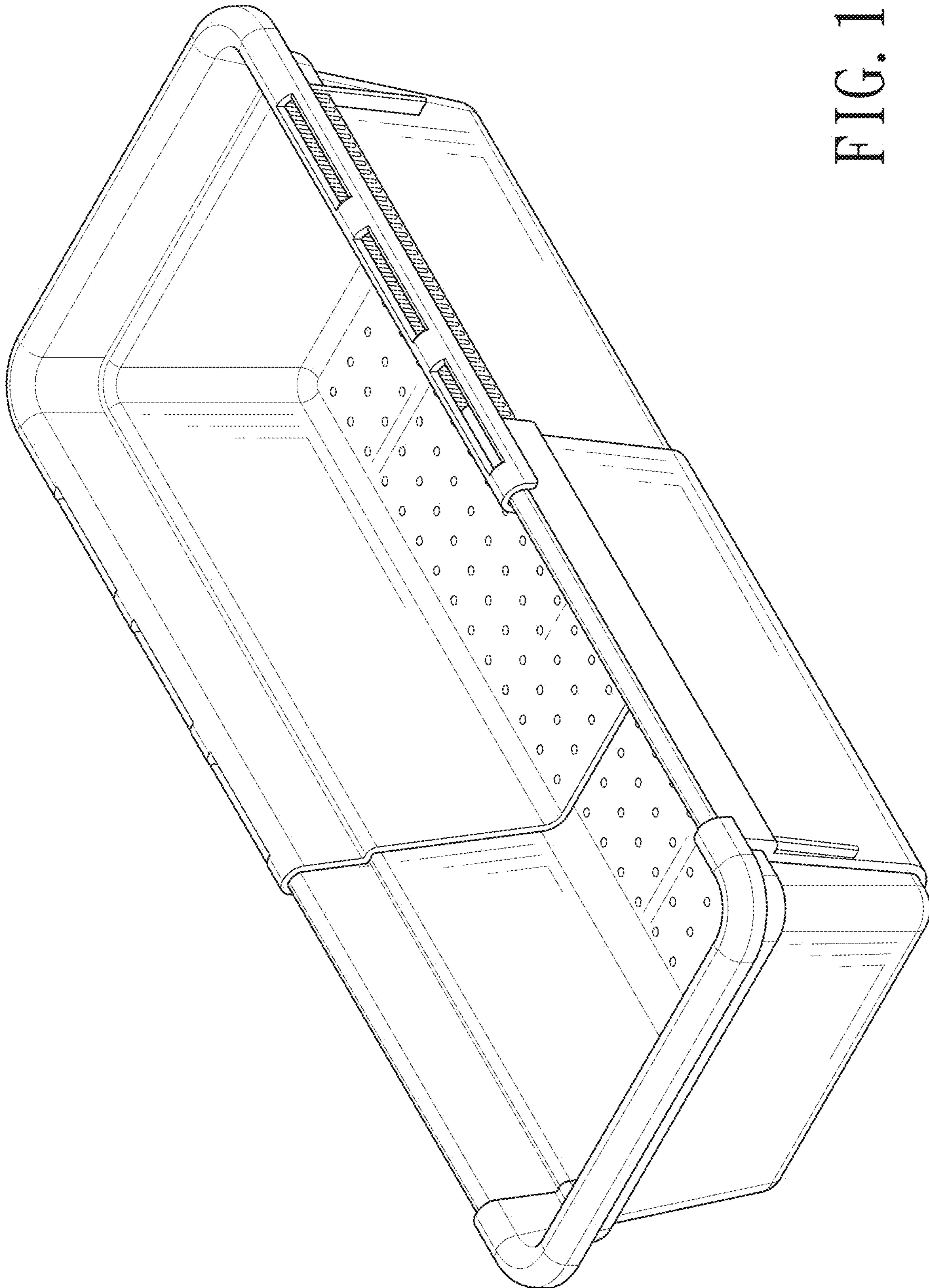


FIG. 16

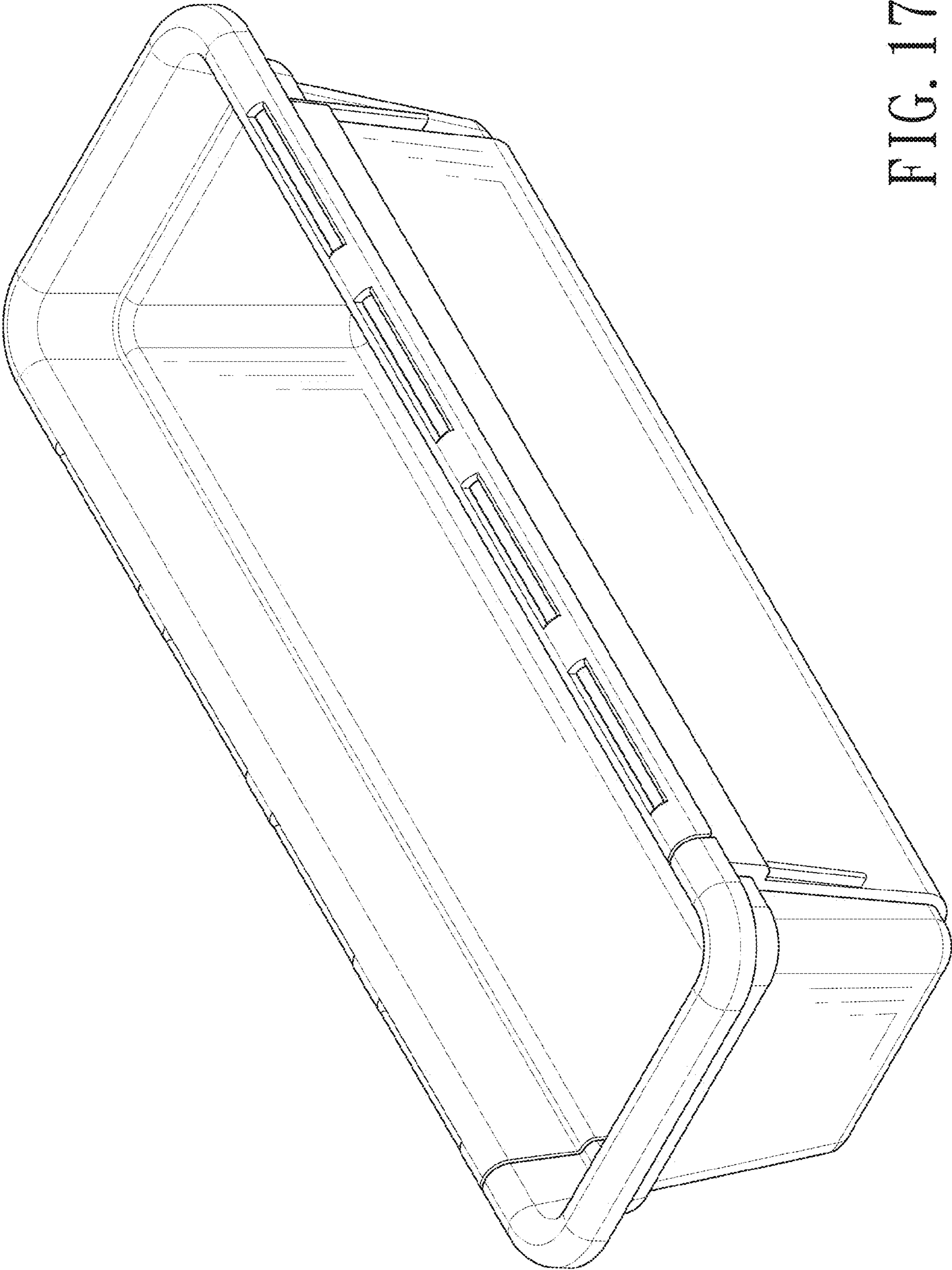


FIG. 17

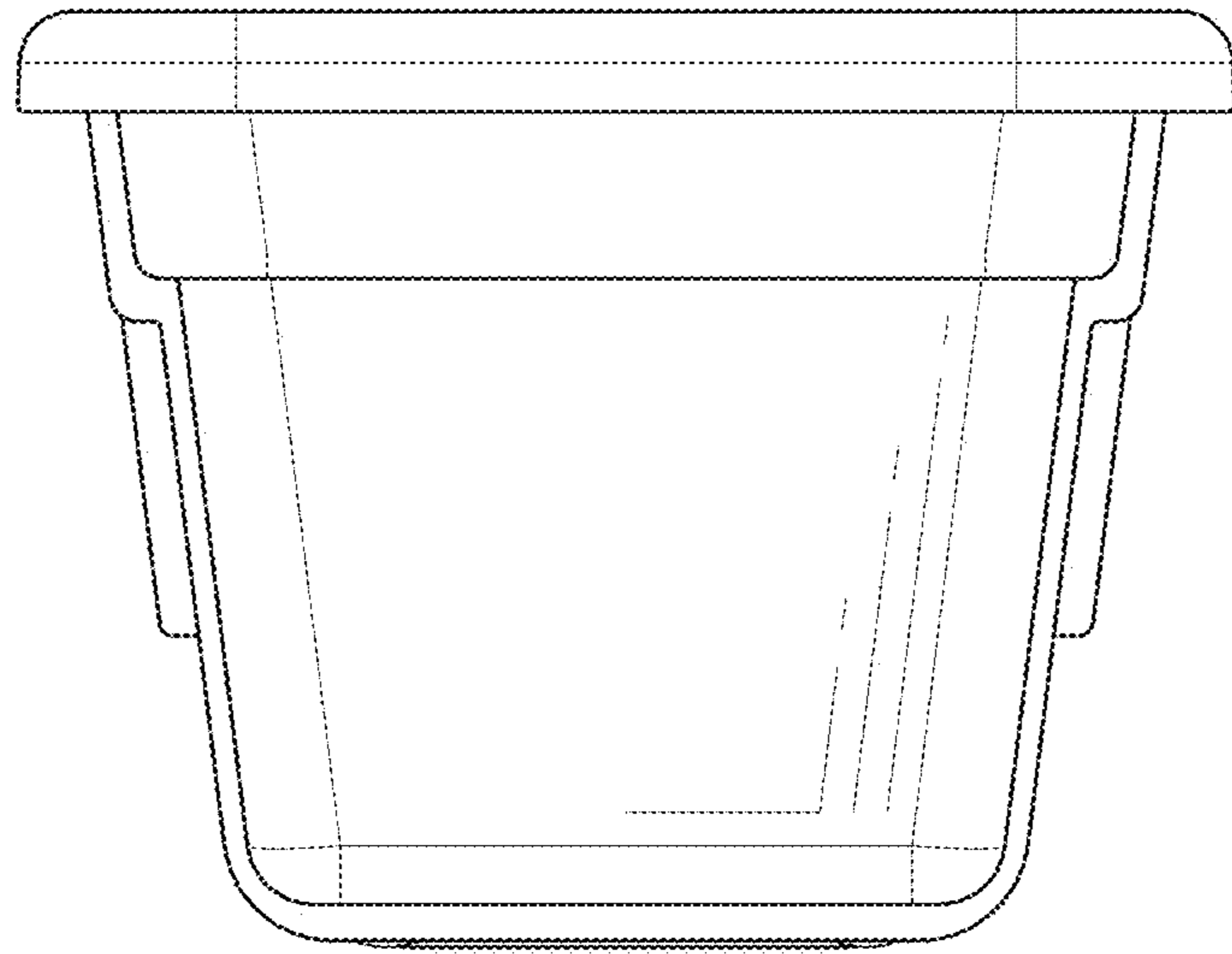


FIG. 18

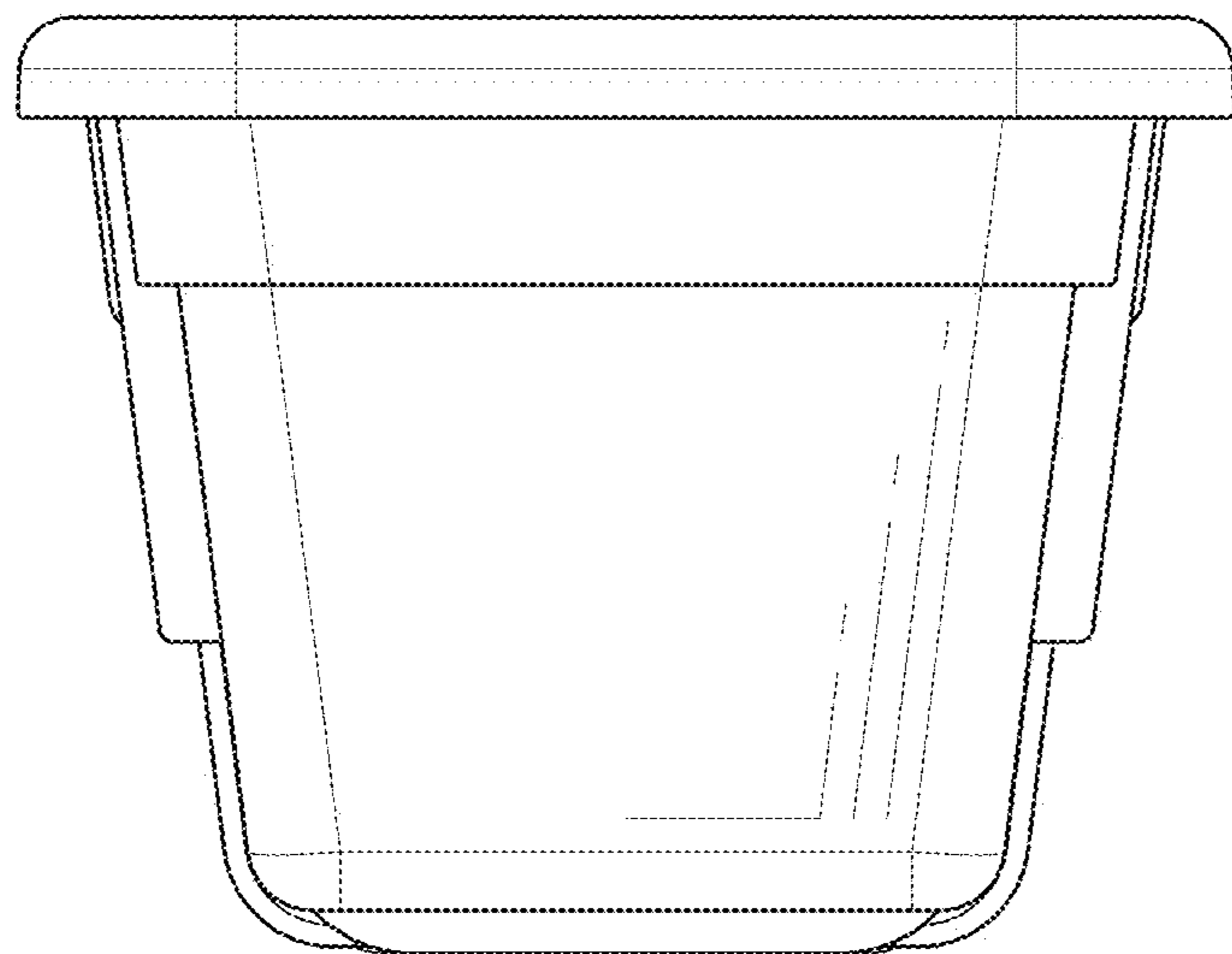


FIG. 19

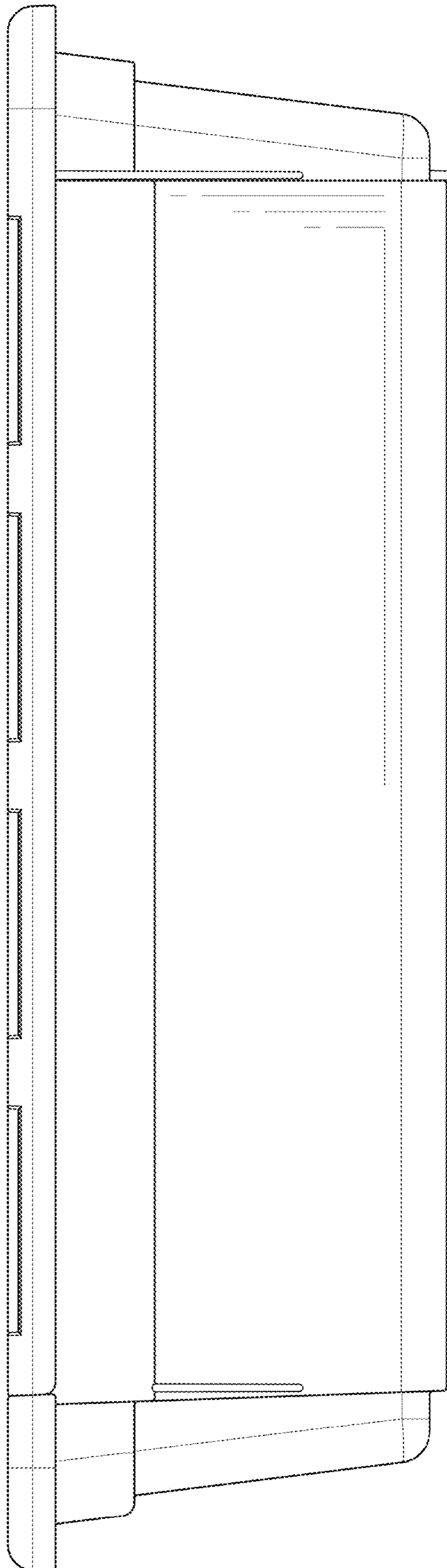


FIG. 20

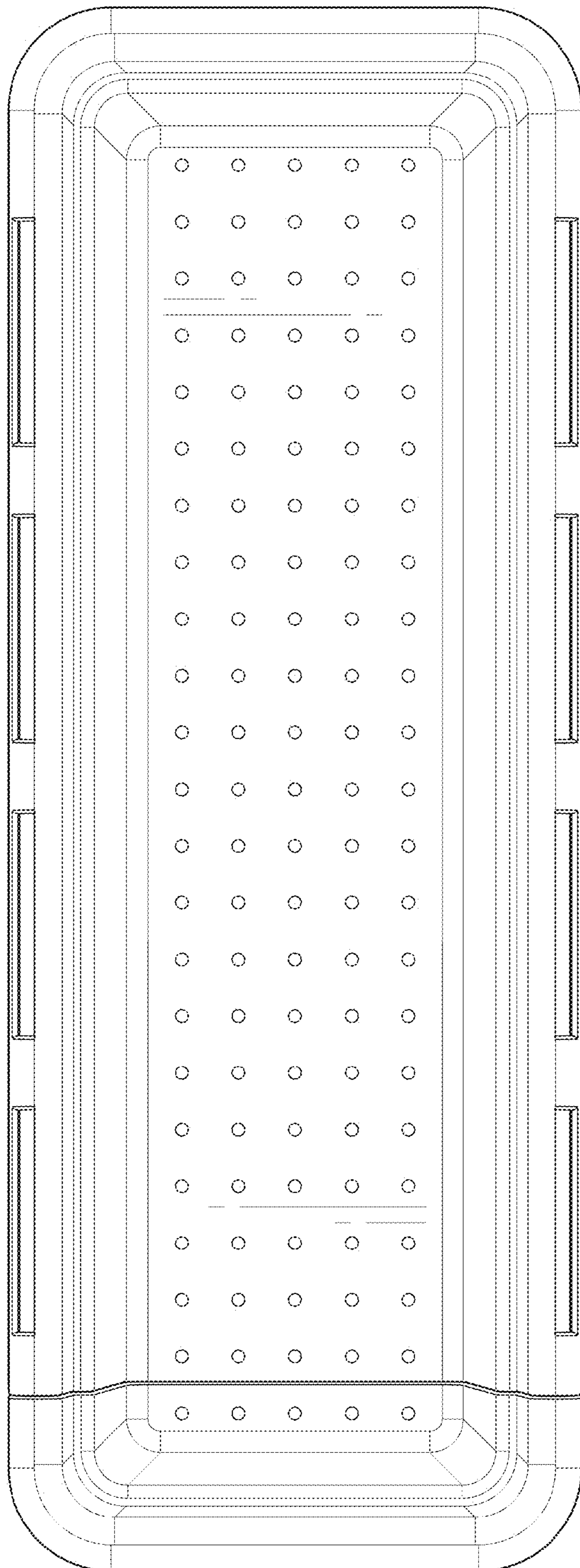


FIG. 21

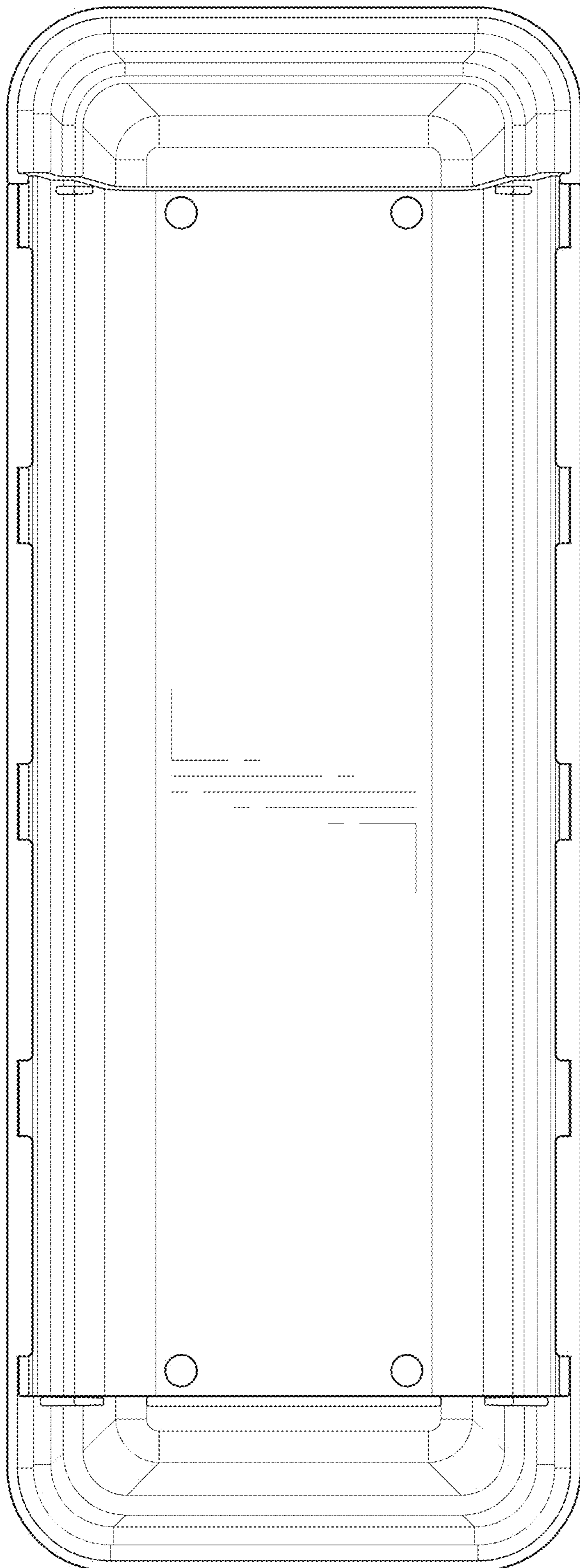


FIG. 22

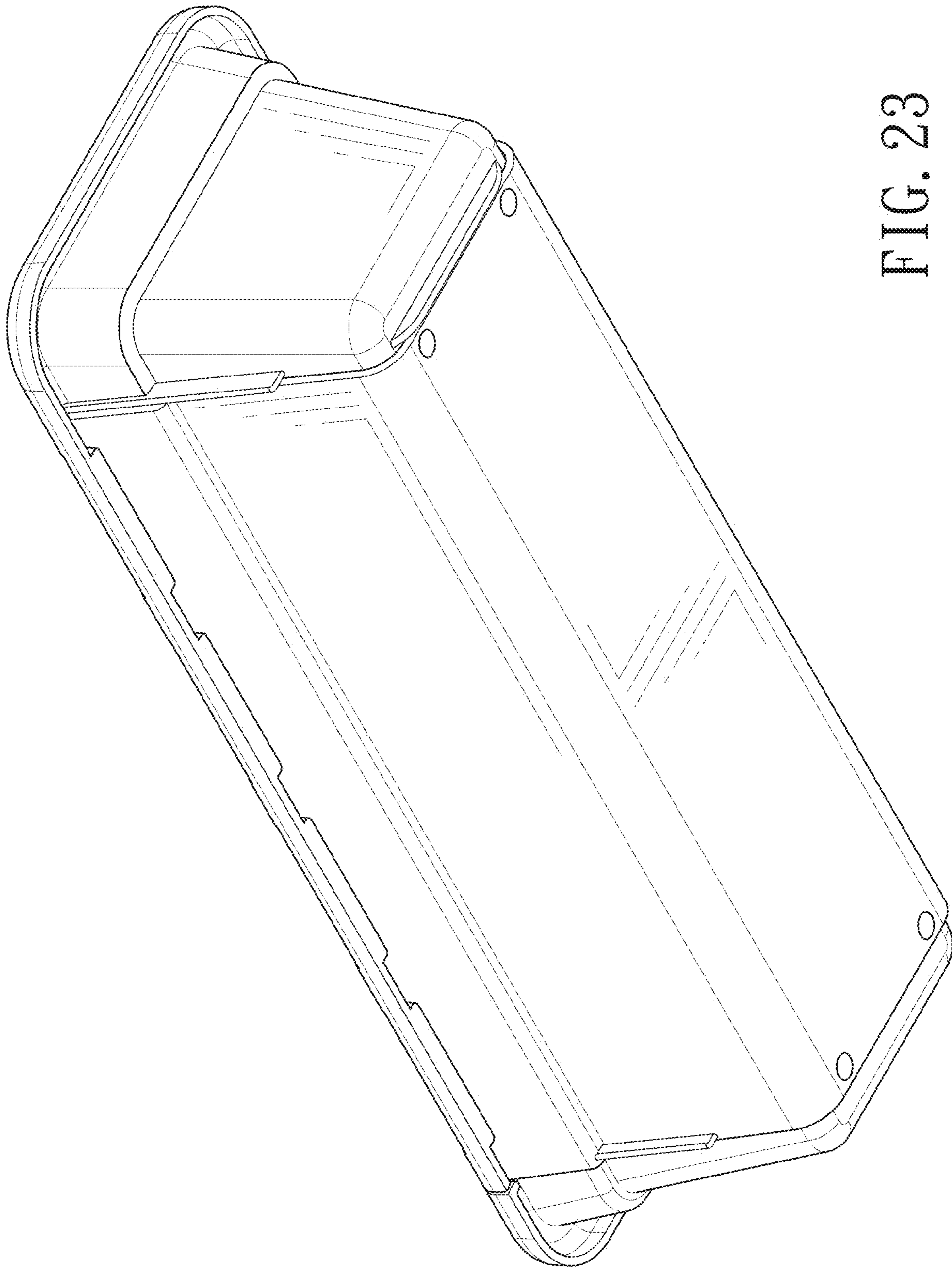


FIG. 23

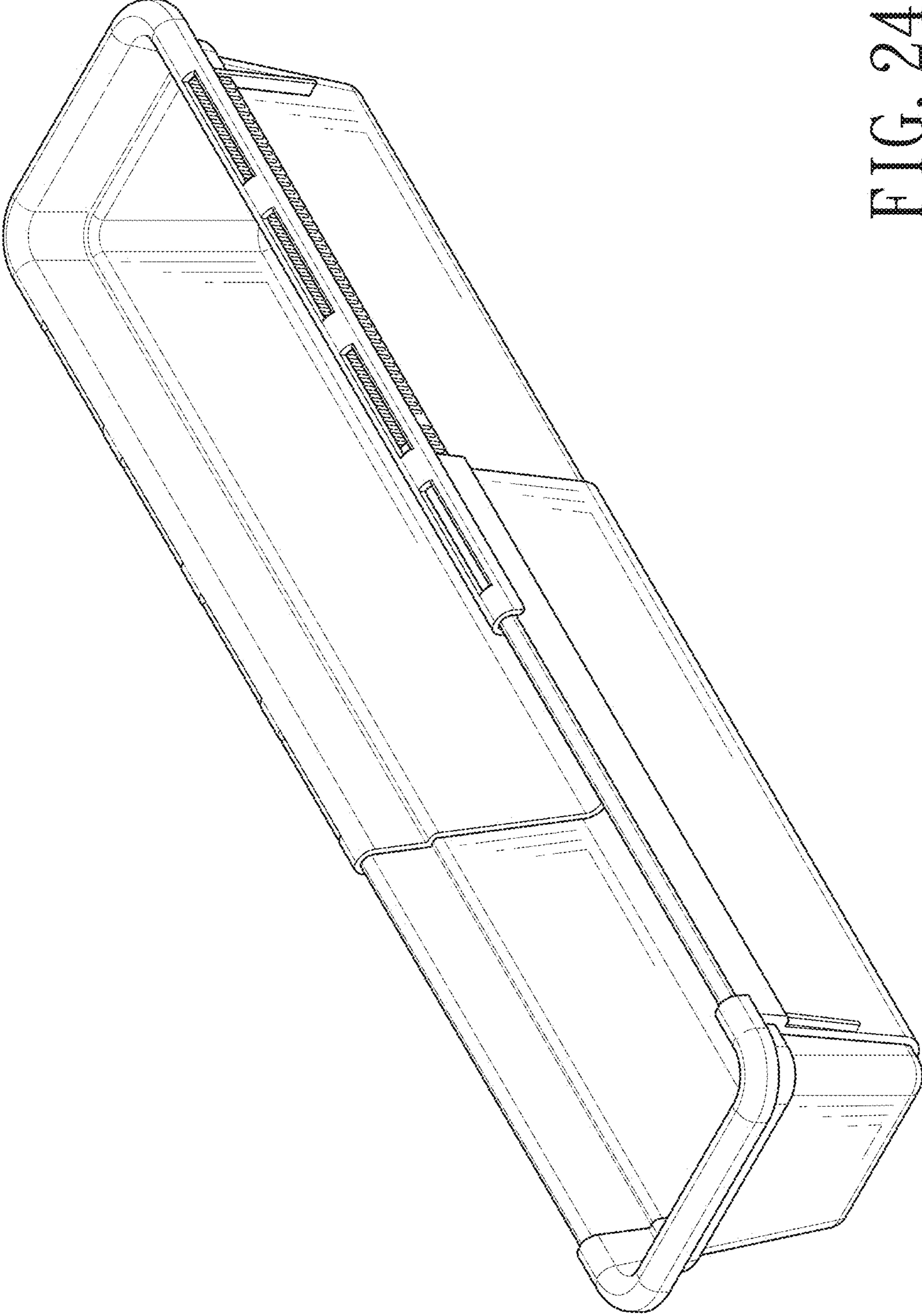


FIG. 24

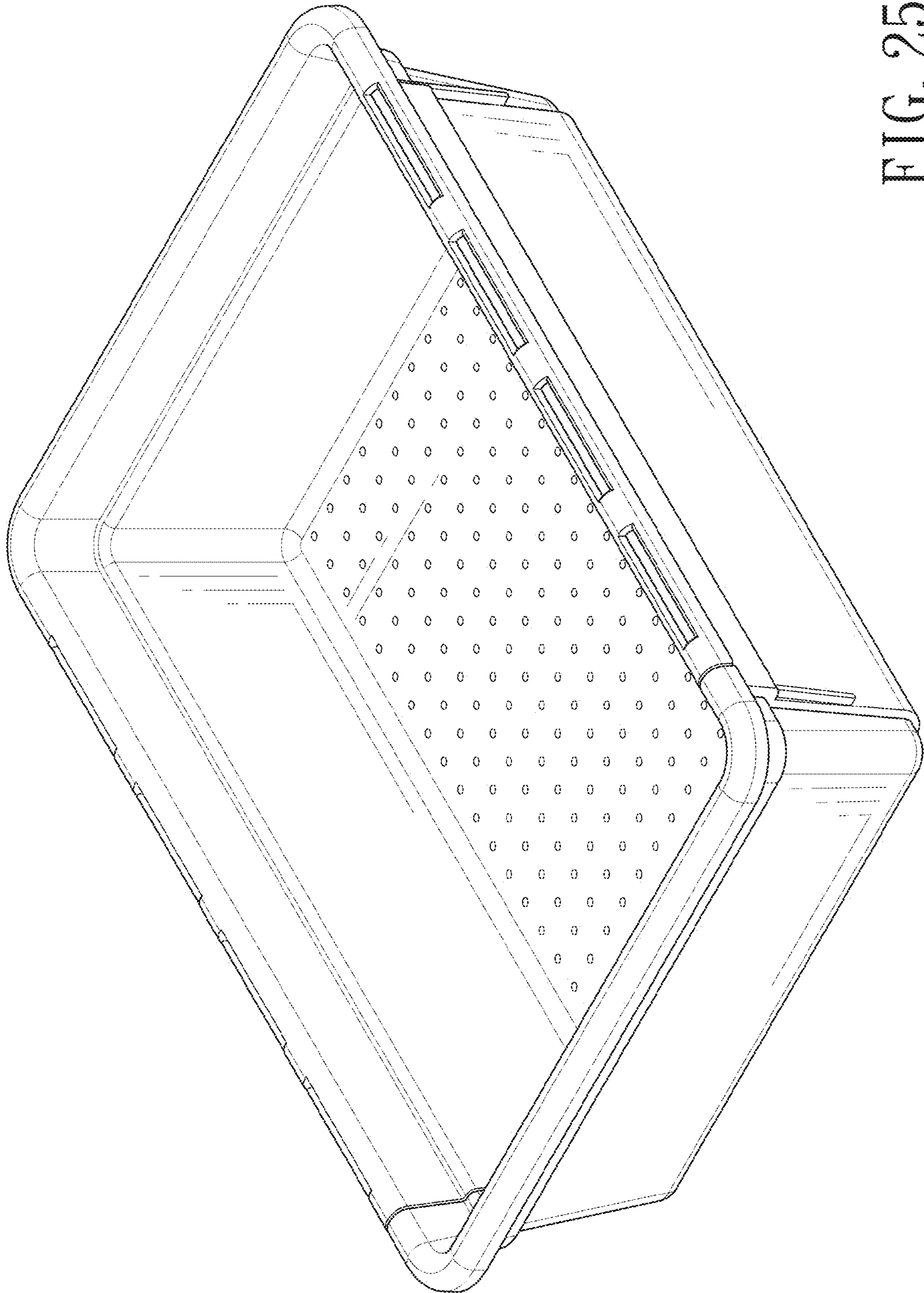


FIG. 25

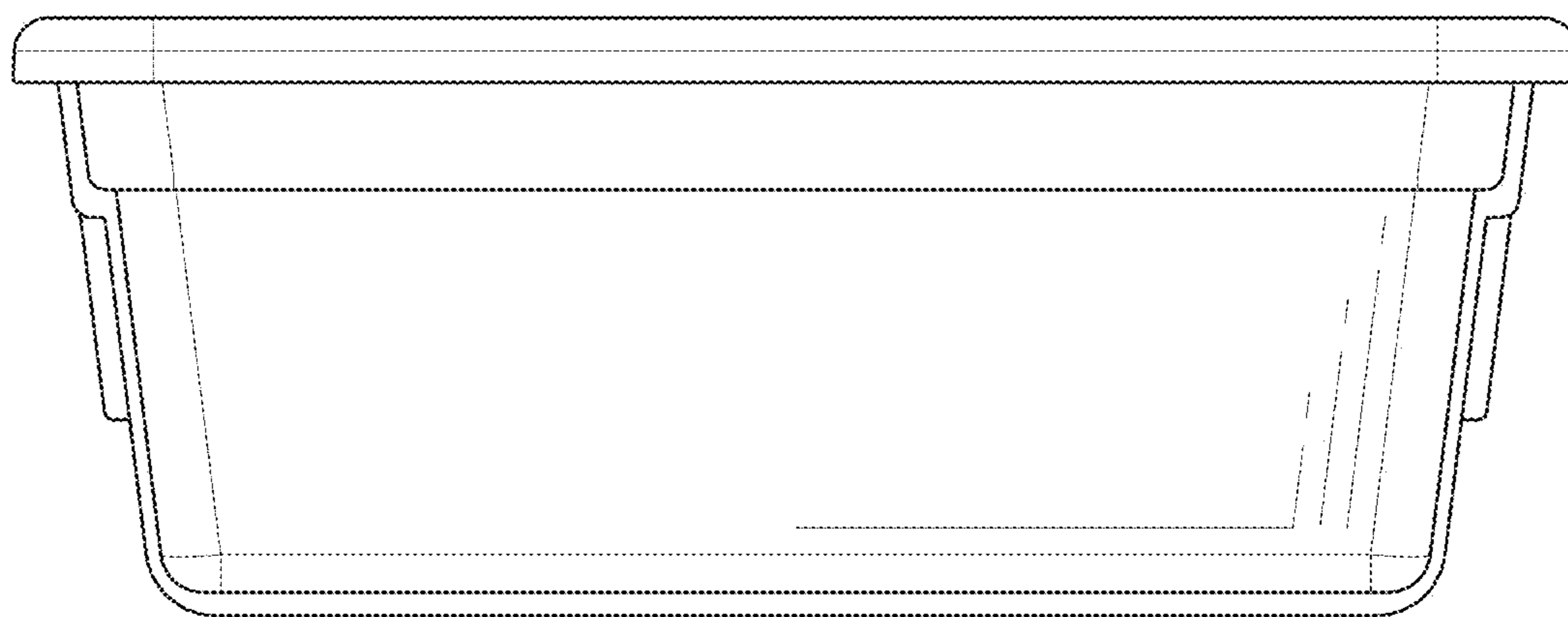


FIG. 26

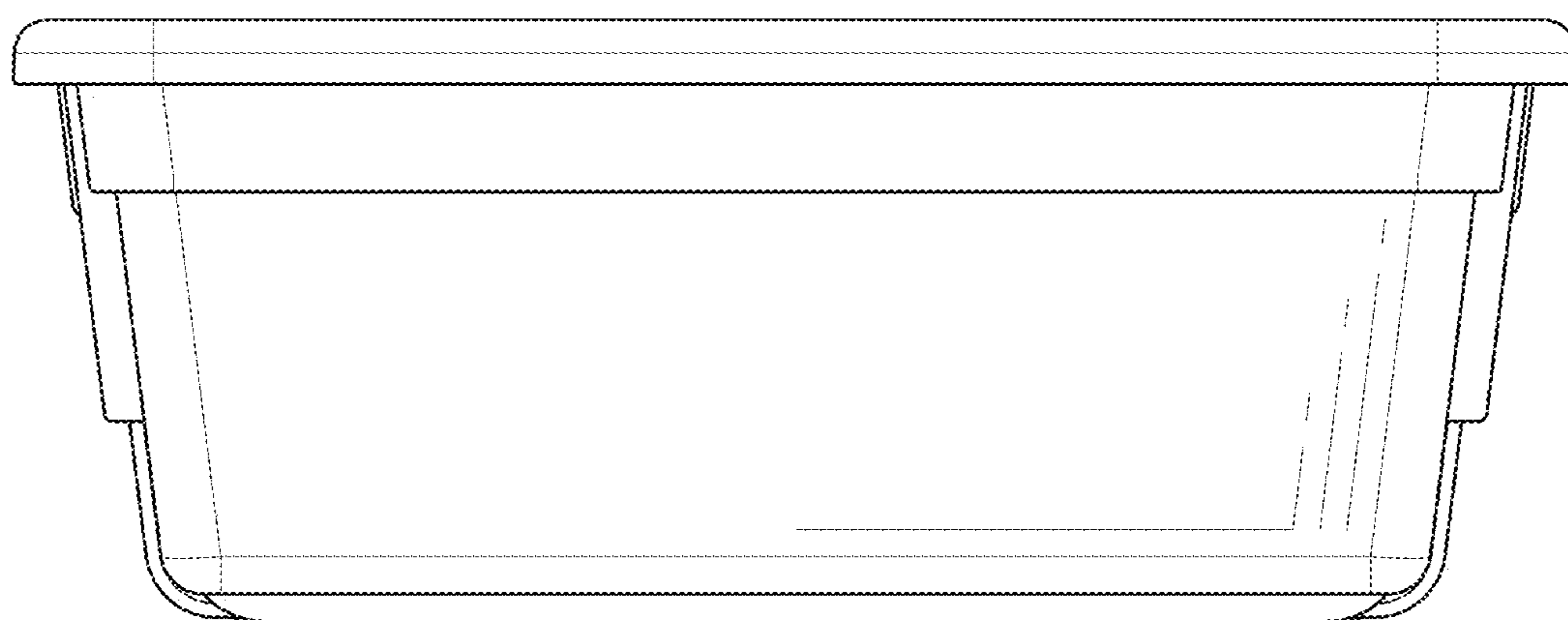


FIG. 27

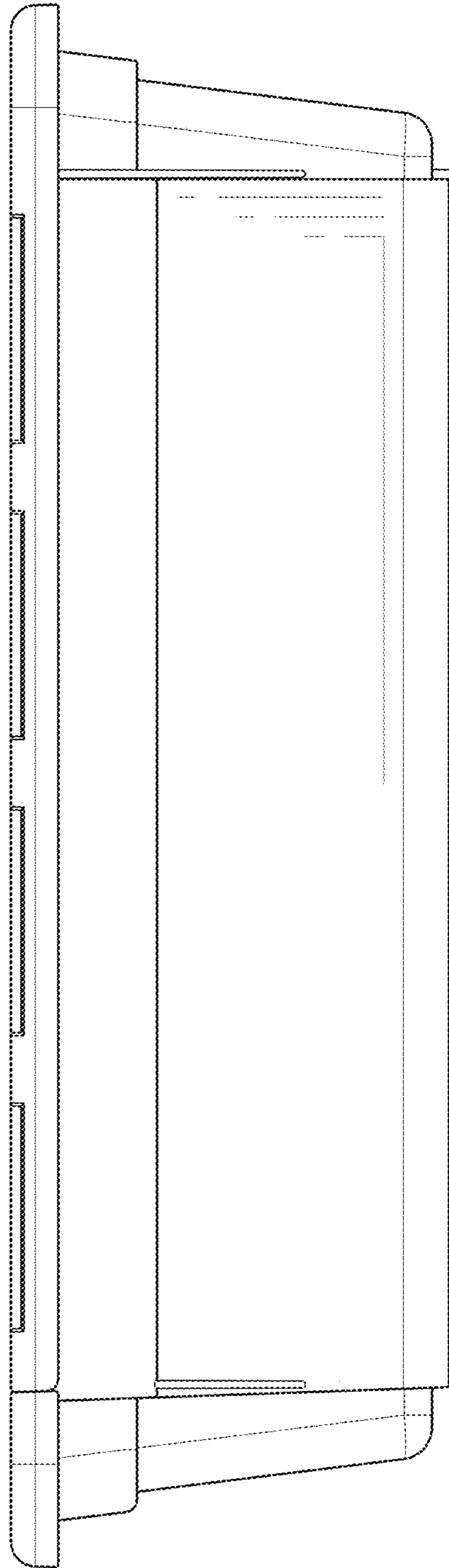


FIG. 28

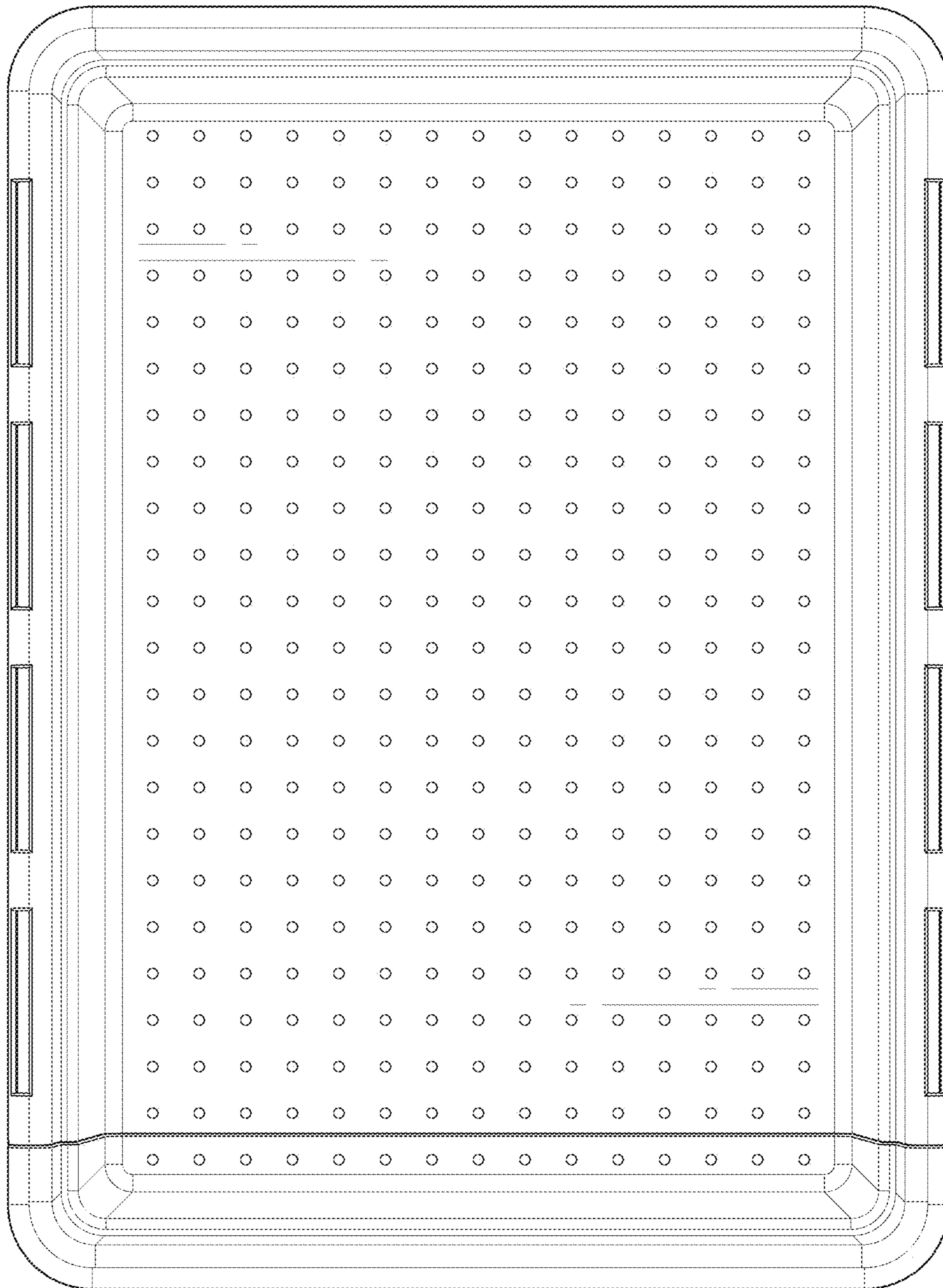


FIG. 29

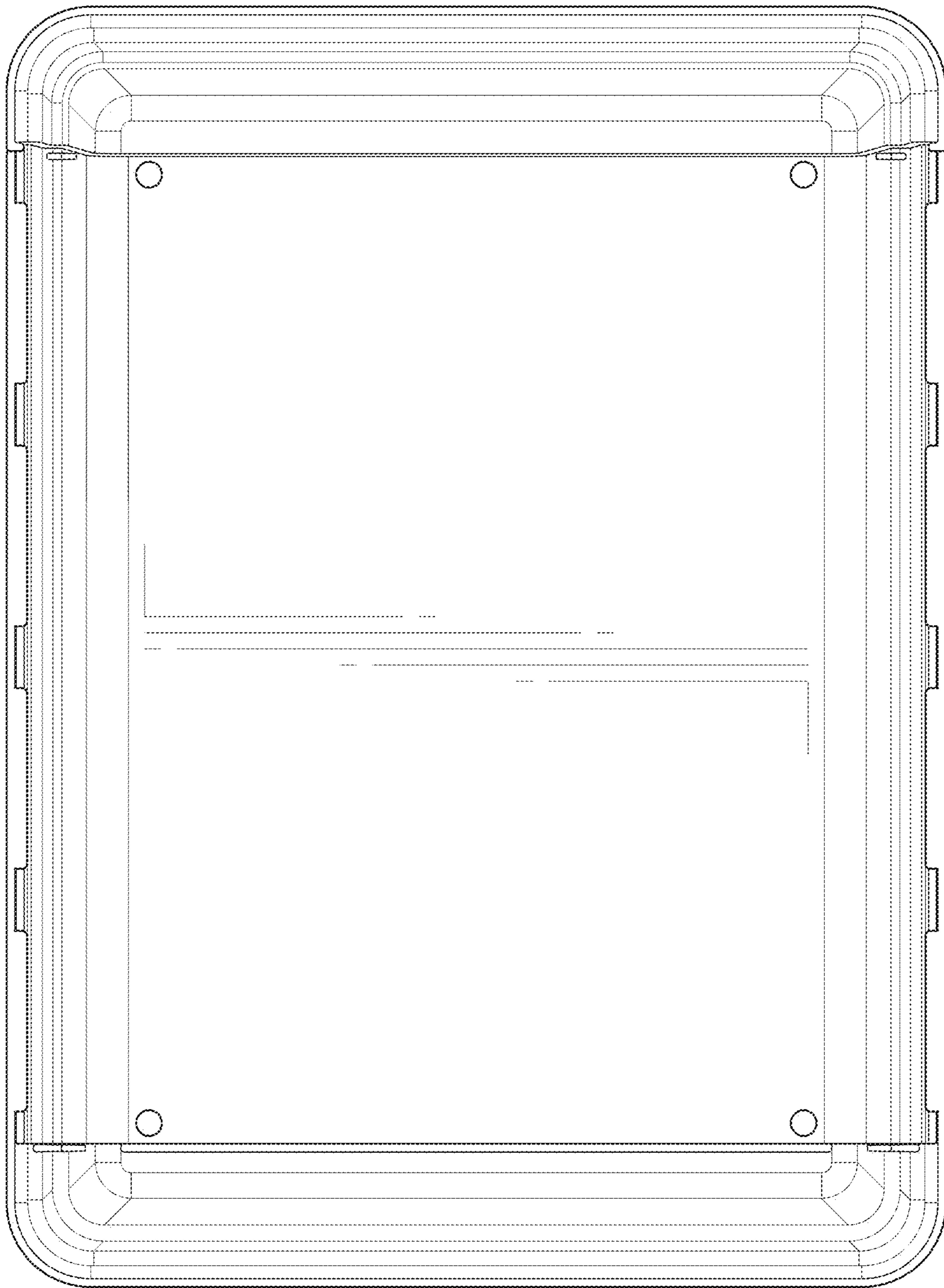


FIG. 30

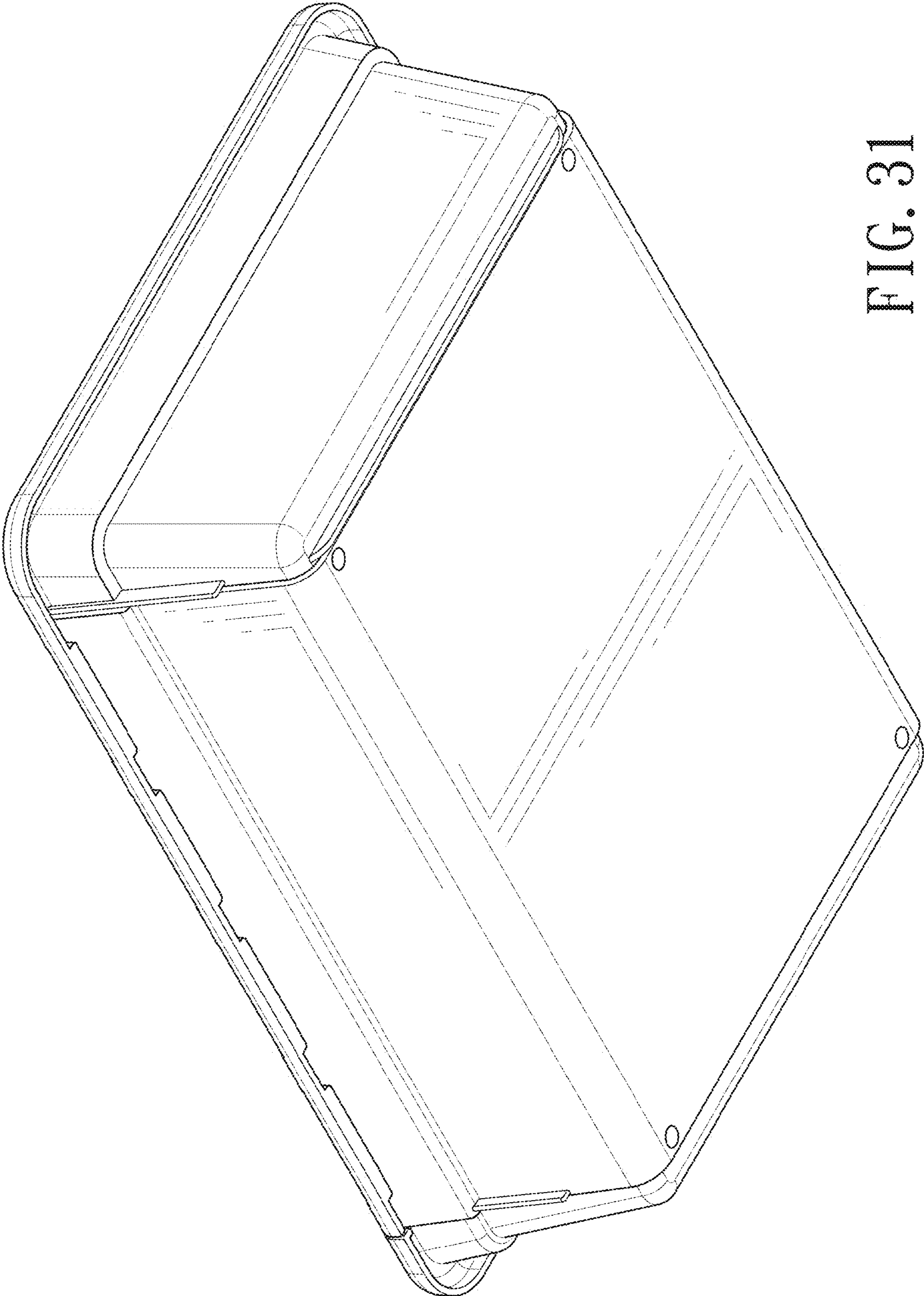


FIG. 31

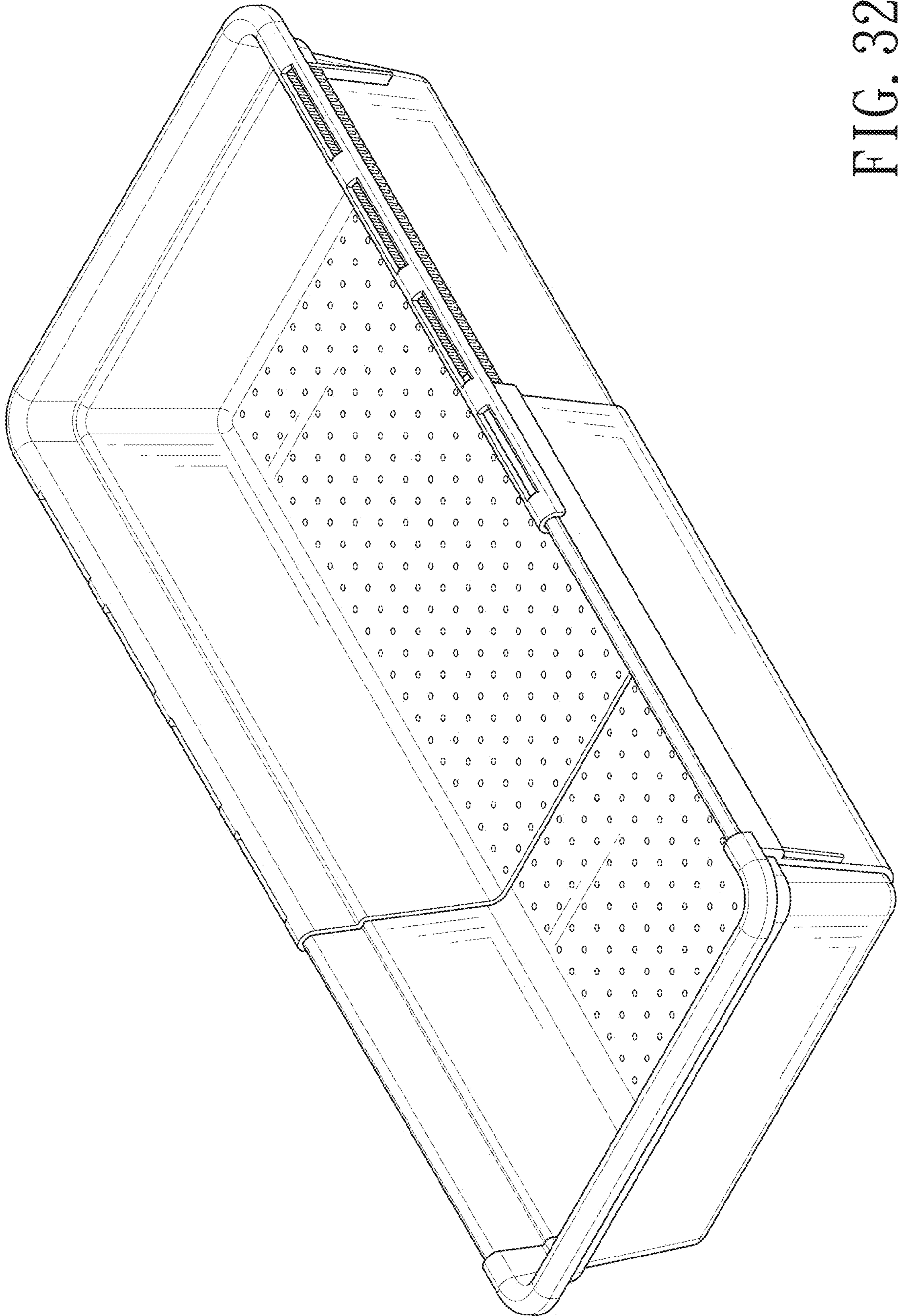


FIG. 32