



US00D938724S

(12) **United States Design Patent** (10) **Patent No.:** **US D938,724 S**
Lin (45) **Date of Patent:** **** Dec. 21, 2021**

(54) **RIDE-ON LUGGAGE**

OTHER PUBLICATIONS

(71) Applicant: **NINGBO PORT ZHONGDI LUGGAGE MANUFACTURING LIMITED**, Ningbo (CN)

Amazon.com; Site Visited Oct. 7, 2021; Kids Luggage with spinner wheels. Oldest review dated Oct. 4, 2018 https://www.amazon.com/Kids-Luggage-Spinner-Rolling-Suitcase/dp/B095NLBGN4/ref=sr_1_9?dchild=1&keywords=ride%2Bon%2Bsuitcase%2Bfor%2Bkids&qid=1633607561&sr=8-9&th=1 (Year: 2018).*

(72) Inventor: **Weiliang Lin**, Ningbo (CN)

(Continued)

(73) Assignee: **NINGBO PORT ZHONGDI LUGGAGE MANUFACTURING LIMITED**, Ningbo (CN)

Primary Examiner — Brett Miller
Assistant Examiner — Jessica M Gebhart

(**) Term: **15 Years**

(21) Appl. No.: **29/736,756**

(57) **CLAIM**

(22) Filed: **Jun. 2, 2020**

The ornamental design for a ride-on luggage, as shown and described.

(30) **Foreign Application Priority Data**

Mar. 13, 2020 (CN) 202030085077.X

(51) **LOC (13) Cl.** **03-01**

(52) **U.S. Cl.**
USPC **D3/279**

(58) **Field of Classification Search**
USPC D3/273, 276, 279, 281, 291, 321, 274,
D3/283, 292, 318, 319, 322, 282, 289,
D3/902

(Continued)

(56) **References Cited**

U.S. PATENT DOCUMENTS

2,472,491 A * 6/1949 Quinton A45C 5/146
280/37
3,314,494 A * 4/1967 Weitzner B62K 3/002
180/208

(Continued)

FOREIGN PATENT DOCUMENTS

CN 302344769 * 3/2013
CN 302755655 * 3/2013

(Continued)

DESCRIPTION

FIG. 1 is a perspective view of a ride-on luggage showing my new design where the ride-on luggage is in a first configuration of use;

FIG. 2 is another perspective view thereof;

FIG. 3 is a front view thereof;

FIG. 4 is a rear view thereof;

FIG. 5 is a left side view thereof;

FIG. 6 is a right side view thereof;

FIG. 7 is a top view thereof;

FIG. 8 is a bottom view thereof;

FIG. 9 is a perspective view of the ride-on luggage where the ride-on luggage is in a second configuration of use;

FIG. 10 is another perspective view thereof;

FIG. 11 is a front view thereof;

FIG. 12 is a rear view thereof;

FIG. 13 is a left side view thereof;

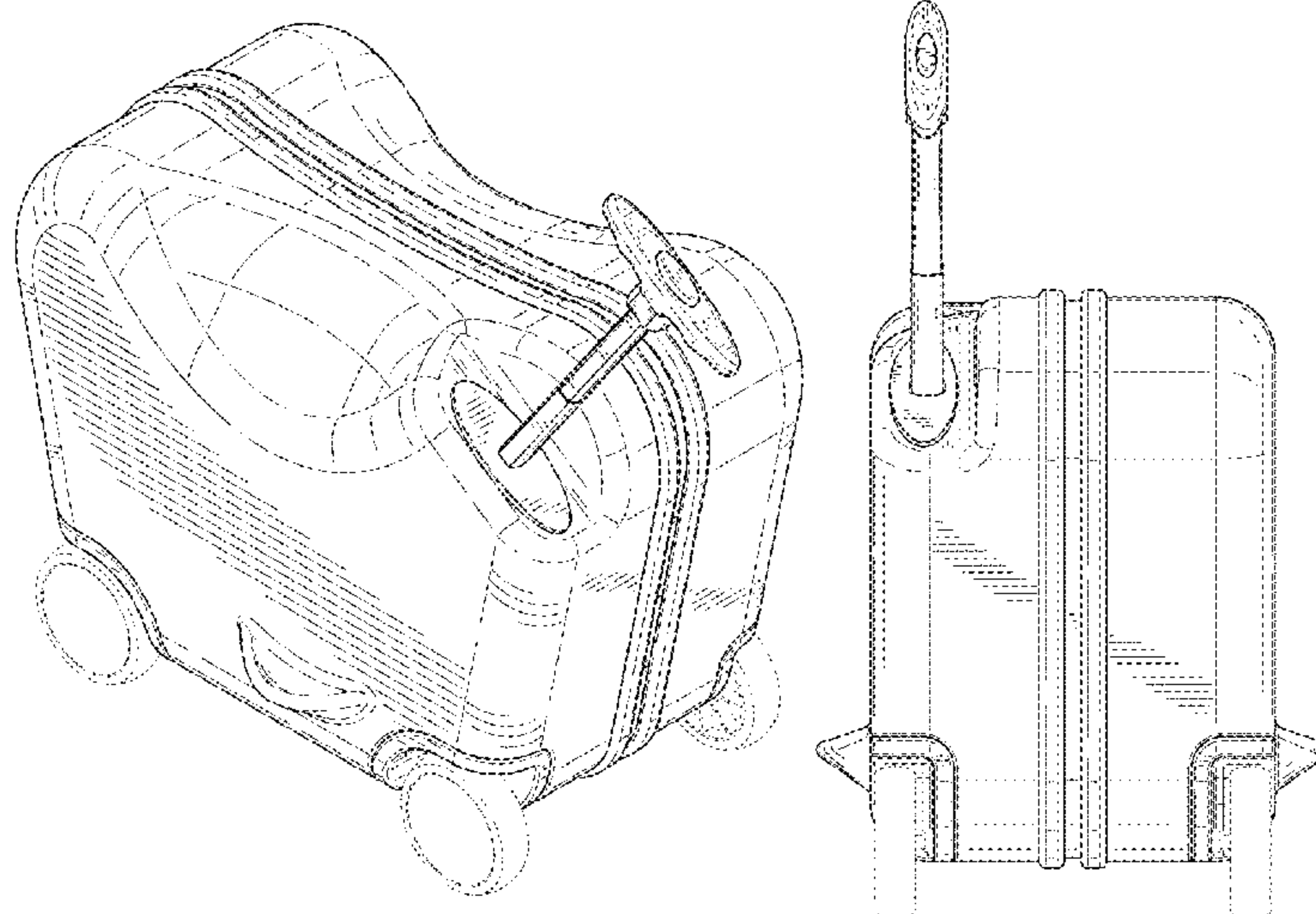
FIG. 14 is a right side view thereof;

FIG. 15 is a top view thereof; and,

FIG. 16 is a bottom view thereof.

The broken lines in the drawings illustrate portions of the ride-on luggage which form no part of the claimed design.

1 Claim, 16 Drawing Sheets



(58) **Field of Classification Search**
 CPC A45C 5/14; A45C 5/00; A45C 2003/008;
 A45C 2005/032
 See application file for complete search history.

(56) **References Cited**

U.S. PATENT DOCUMENTS

3,316,993 A * 5/1967 Weitzner A45C 9/00
 180/208
 3,545,809 A * 12/1970 Krenz A01K 97/06
 312/235.2
 D256,188 S * 8/1980 Davidson D21/552
 4,913,252 A * 4/1990 Bartley A45C 5/14
 180/208
 D311,994 S * 11/1990 Tsuji D21/550
 D346,274 S * 4/1994 Good D3/279
 D352,826 S * 11/1994 Rao D3/273
 D369,022 S * 4/1996 Sun D21/495
 D380,298 S * 7/1997 Ferris D3/279
 D393,153 S * 4/1998 Farrage D3/279
 D401,407 S * 11/1998 Bro D3/271.12
 6,016,893 A * 1/2000 Chen A45C 5/14
 190/1
 6,241,313 B1 * 6/2001 Lenz A47D 1/10
 297/188.06
 6,460,668 B1 * 10/2002 Godshaw A45C 5/02
 190/115
 7,097,017 B1 * 8/2006 LaCrosse A45C 5/146
 190/18 A
 D639,057 S * 6/2011 Presman D3/279
 D648,129 S * 11/2011 Badanjo D3/279
 8,182,030 B1 * 5/2012 Britten A47D 13/025
 297/129
 D738,621 S * 9/2015 Sheikh D3/279
 9,629,430 B1 * 4/2017 Getahun A45C 5/14
 D786,362 S * 5/2017 Pickavance D21/423
 9,661,905 B2 * 5/2017 O'Donnell A45C 9/00
 D792,095 S * 7/2017 Morszeck D3/279
 D804,817 S * 12/2017 Herzog D3/279
 D812,908 S * 3/2018 Shum D3/279
 D844,539 S * 4/2019 Enriquez Mendoza D12/402
 D847,506 S * 5/2019 Ji D3/279
 D873,000 S * 1/2020 Terlikowski D3/274
 10,660,416 B2 * 5/2020 Paul A45C 13/262
 D909,752 S * 2/2021 Ma D3/279
 2004/0021353 A1 * 2/2004 Lozano A47D 1/10
 297/255
 2004/0066069 A1 * 4/2004 Caldana B62B 5/082
 297/250.1
 2004/0251717 A1 * 12/2004 Tamura A47C 4/52
 297/17
 2005/0194226 A1 * 9/2005 Wang A45C 9/00
 190/8
 2008/0164667 A1 * 7/2008 Fegler B62B 5/082
 280/47.25
 2009/0289480 A1 * 11/2009 McFarland A45C 13/262
 297/255
 2009/0308706 A1 * 12/2009 Mao A45C 9/00
 190/8

2010/0044174 A1 * 2/2010 Graf Von Bismarck
 A45C 5/146
 190/18 A
 2010/0072011 A1 * 3/2010 Gray A45C 5/14
 190/8
 2010/0072012 A1 * 3/2010 Malinowski B62B 7/12
 190/8
 2011/0155527 A1 * 6/2011 Veal B62K 3/002
 190/18 A
 2012/0161408 A1 * 6/2012 Sidhu A45C 5/14
 280/47.38
 2013/0001911 A1 * 1/2013 Porri A45C 5/14
 280/87.042
 2017/0196326 A1 * 7/2017 Holmgren A45C 9/00
 2018/0146757 A1 * 5/2018 Singh Johar B62B 7/12
 2019/0246754 A1 * 8/2019 Guo B62B 7/00
 2019/0254399 A1 * 8/2019 Rajvansh A45C 5/14
 2020/0305567 A1 * 10/2020 Lo A45C 13/385
 2020/0390209 A1 * 12/2020 Ubben A45C 5/03
 2021/0177113 A1 * 6/2021 Zhang A45C 5/14

FOREIGN PATENT DOCUMENTS

CN 304172475 * 6/2017
 CN 304319181 * 10/2017
 CN 305039727 * 2/2019
 CN 305163284 * 5/2019
 CN 305184131 * 5/2019
 CN 305277911 * 7/2019
 CN 305563717 * 1/2020
 CN 305600455 * 2/2020
 EM 005625977-0002 * 9/2018
 GB 9007426424-0003 * 12/2019
 JP D1543713 * 2/2016
 JP D1650427 * 1/2020
 KR 300930168.0000 * 11/2017

OTHER PUBLICATIONS

Amazon.com; Site Visited Oct. 7, 2021; Carry On Luggage Kids Ride-On Suitcase. Oldest review dated Mar. 22, 2019 https://www.amazon.com/Nickelodeon-JoJo-Siwa-Ride-Suitcase/dp/B07N7RJSQP/ref=pd_sbs_13/136-7001801-3564635?pd_rd_w=XCY11&pf_rd_p=0a3ad226-8a77-4898-9a99-63ffeb1aef90&pf_rd_r=S (Year: 2019).
 Amazon.com; Site Visited Oct. 7, 2021; JetKids by Stokke BedBox. Oldest review dated Jan. 24, 2019 https://www.amazon.com/Stokke-JetKids-BedBox-Ride-Flight/product-reviews/B08563GKSD/ref=cm_cr_getr_d_paging_btm_next_3?ie=UTF8&reviewerType=all_reviews&sortBy=recent&pageNumber=3 (Year: 2019).
 Airwheel Kids Scooter Luggage online site visited Oct. 7, 2021; Verified product was posted on website via Wayback Machine on Sep. 26, 2019: <https://web.archive.org/web/20190926082937/https://www.airwheel.net/home/product/sq3> (Year: 2019).
 Youtube.com; Site Visited Oct. 7, 2021; "Trunki Harley Ride On Luggage", Video posted by Simply Hike on Jun. 29, 2012, Internet URL: <https://www.youtube.com/watch?v=S8v-A7Tuc68> 13 second mark (Year: 2012).*

* cited by examiner

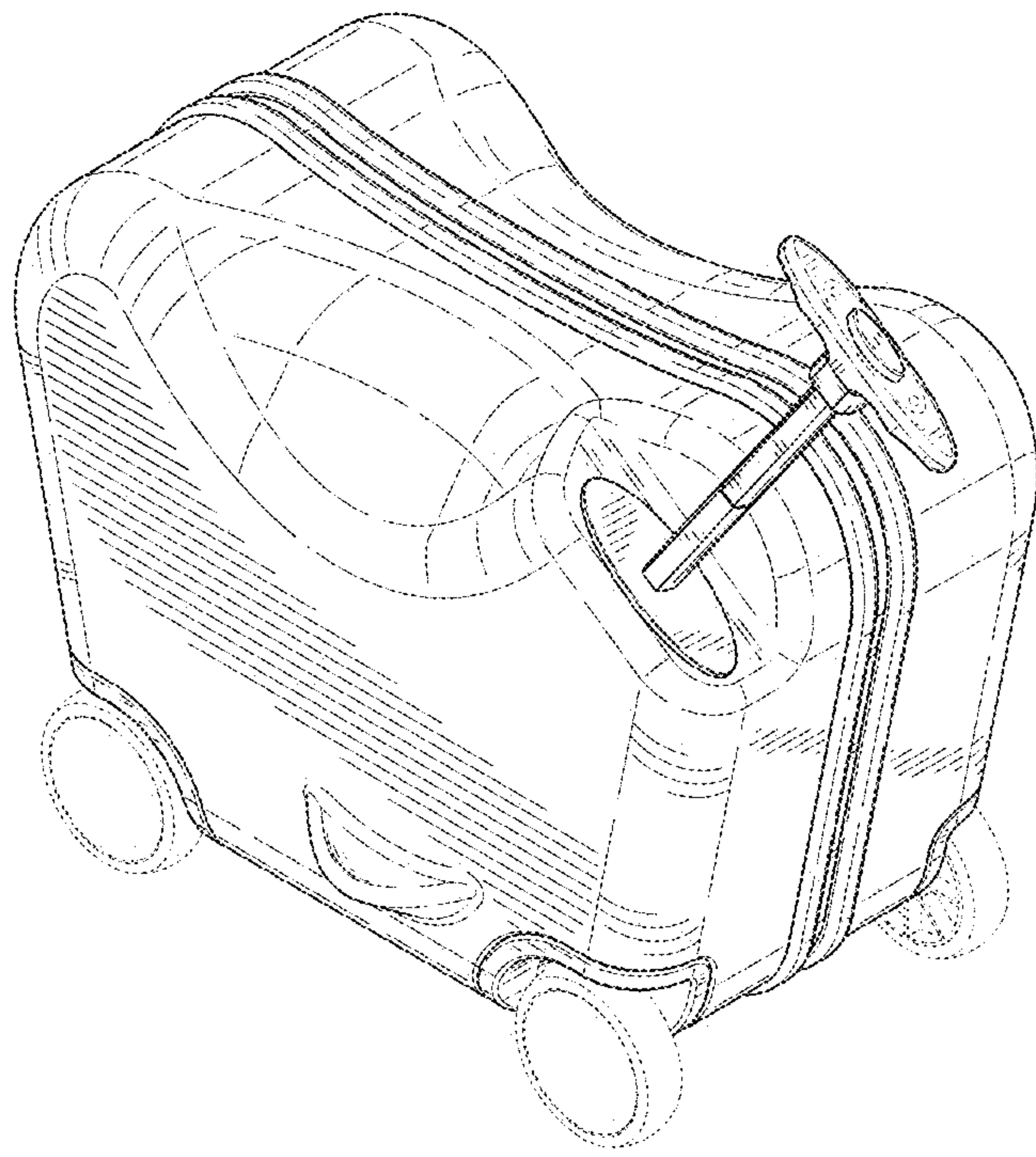


FIG. 1

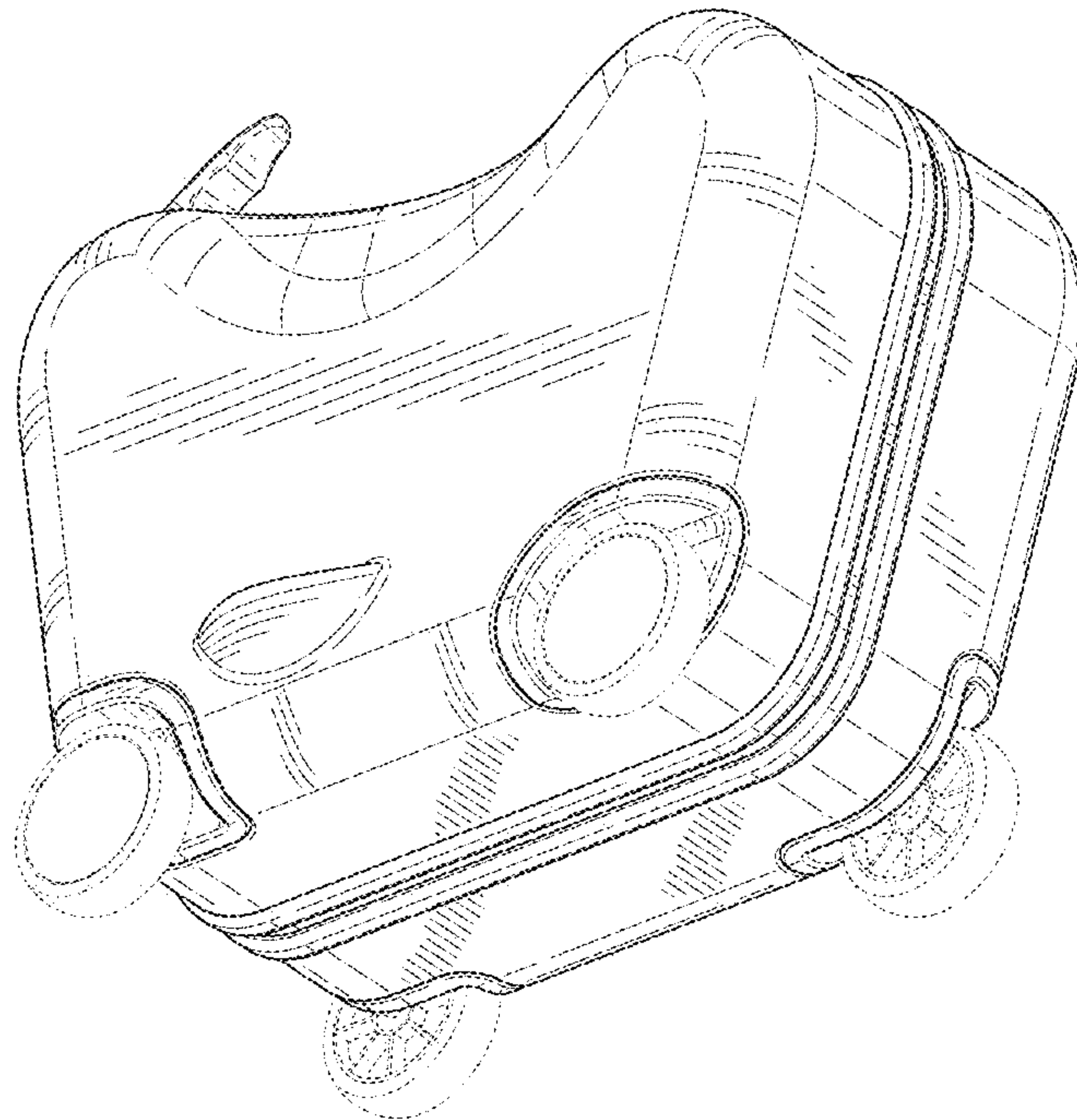


FIG. 2

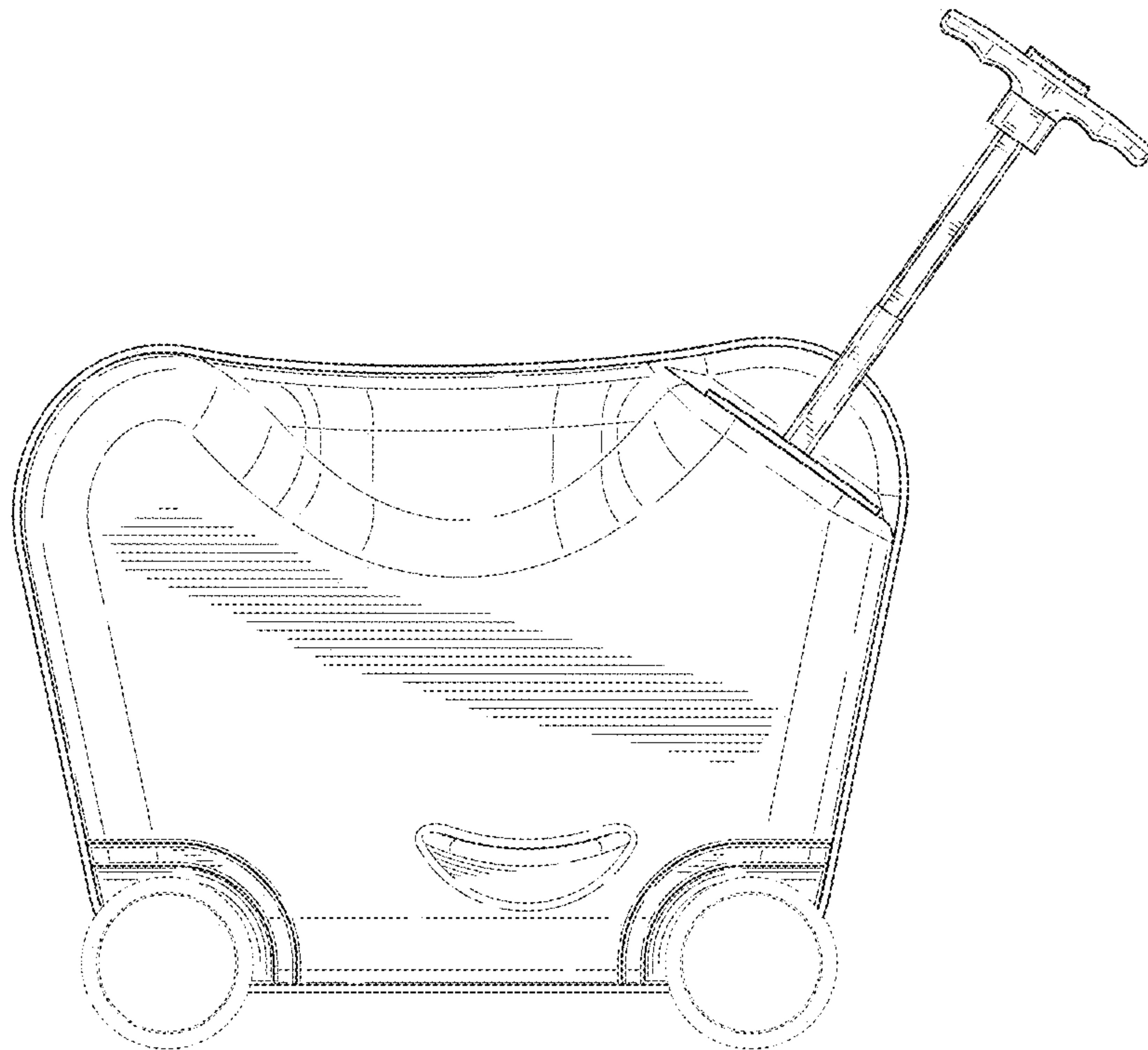


FIG. 3

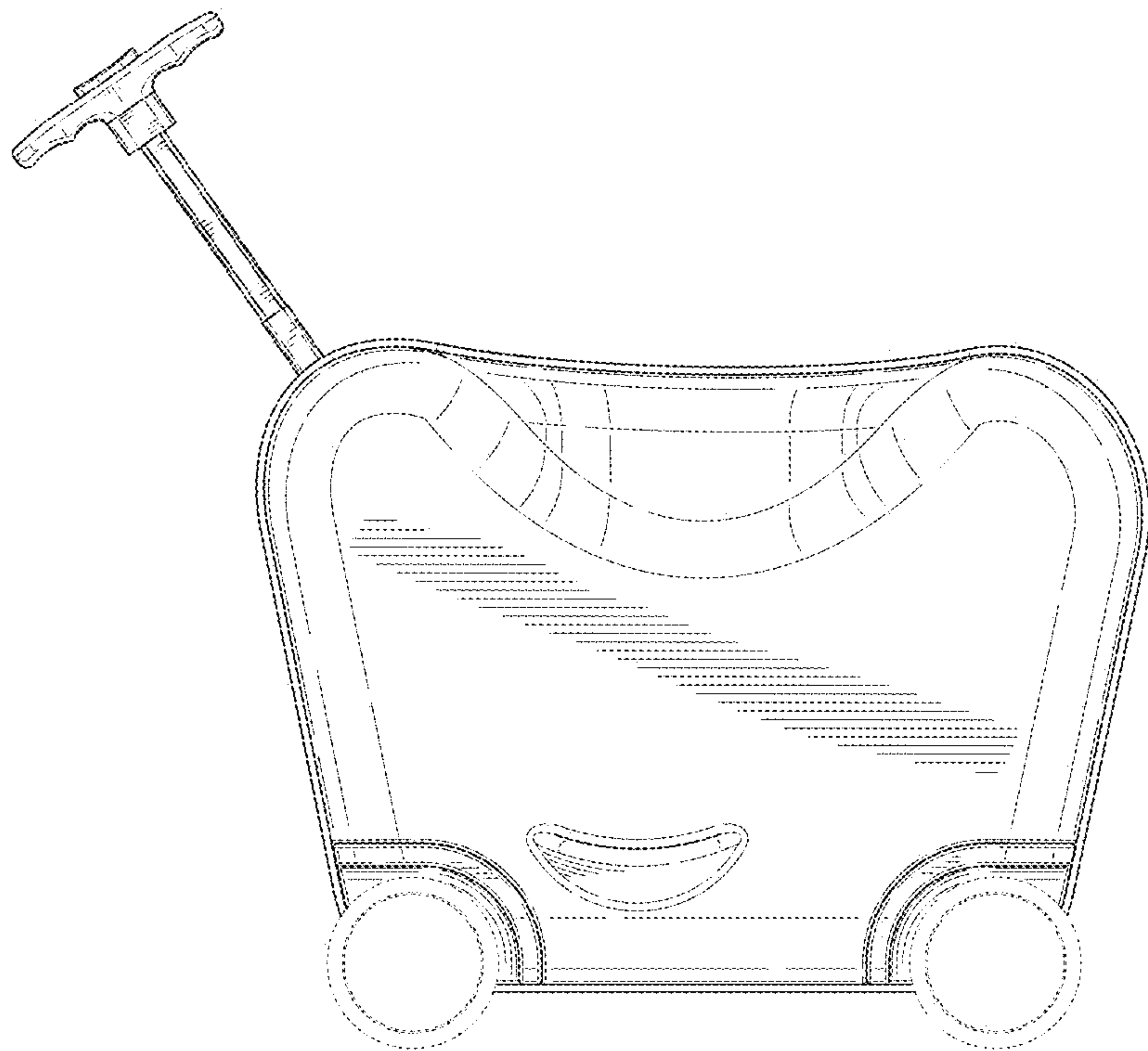


FIG. 4

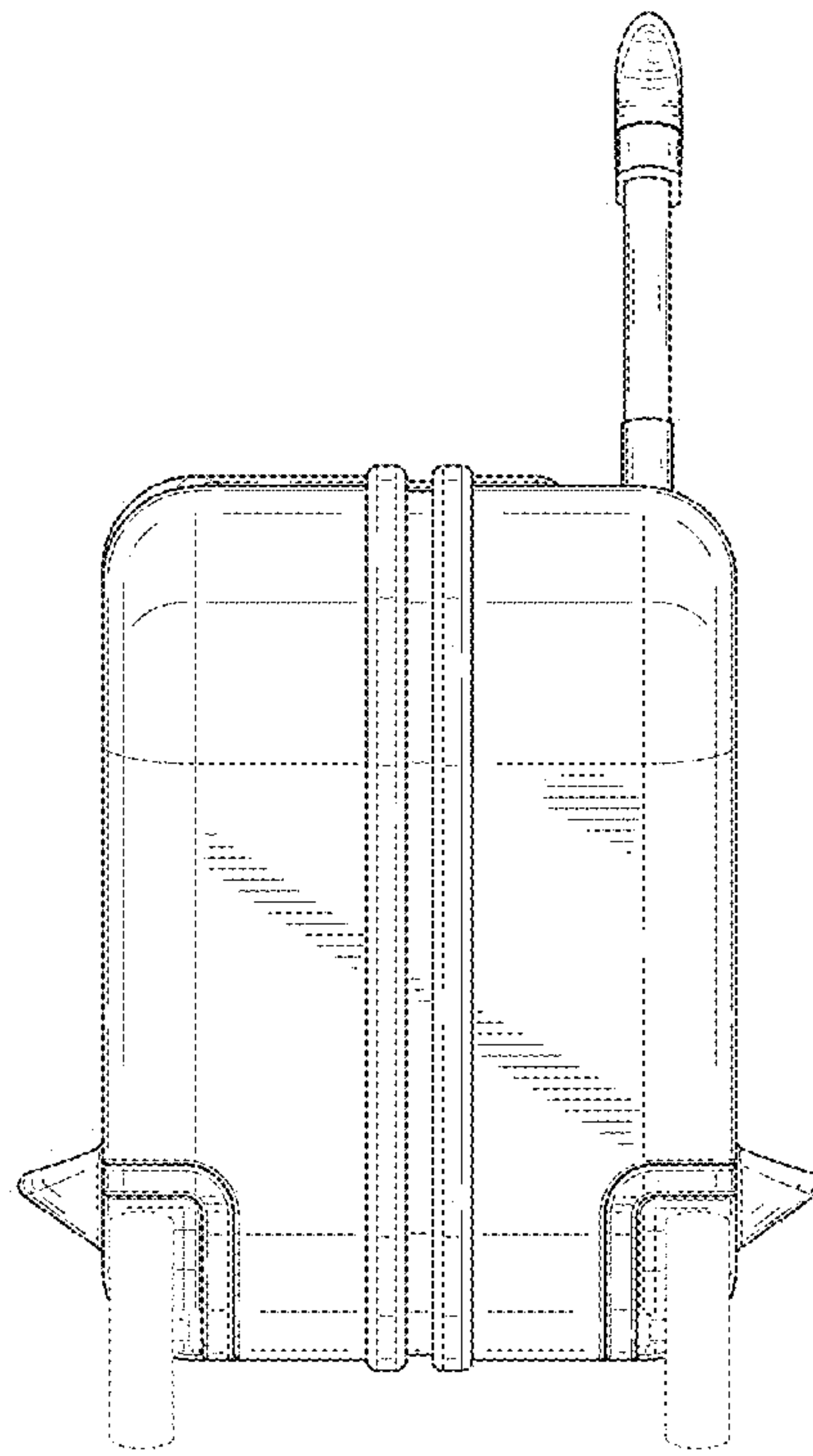


FIG. 5

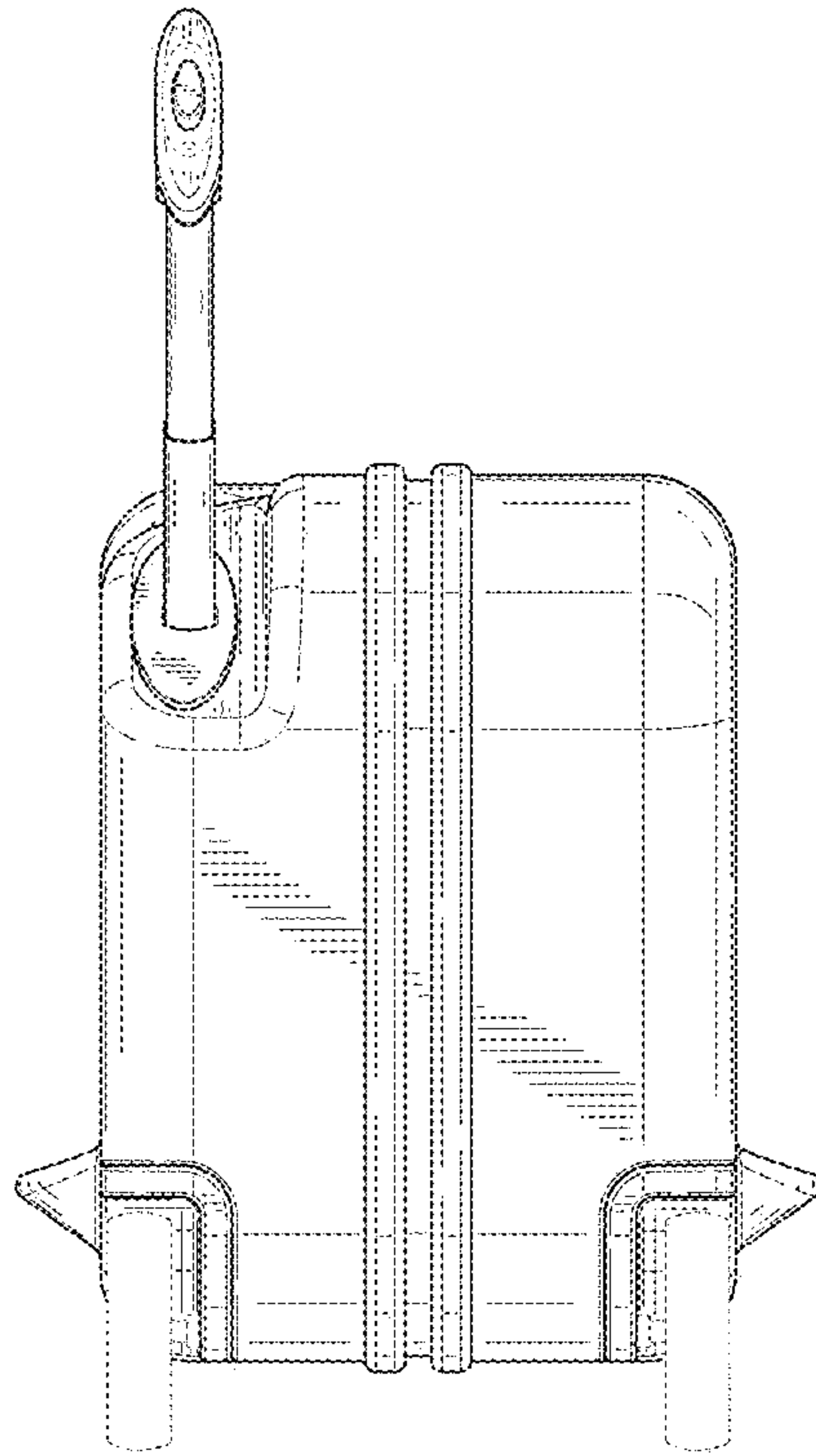


FIG. 6

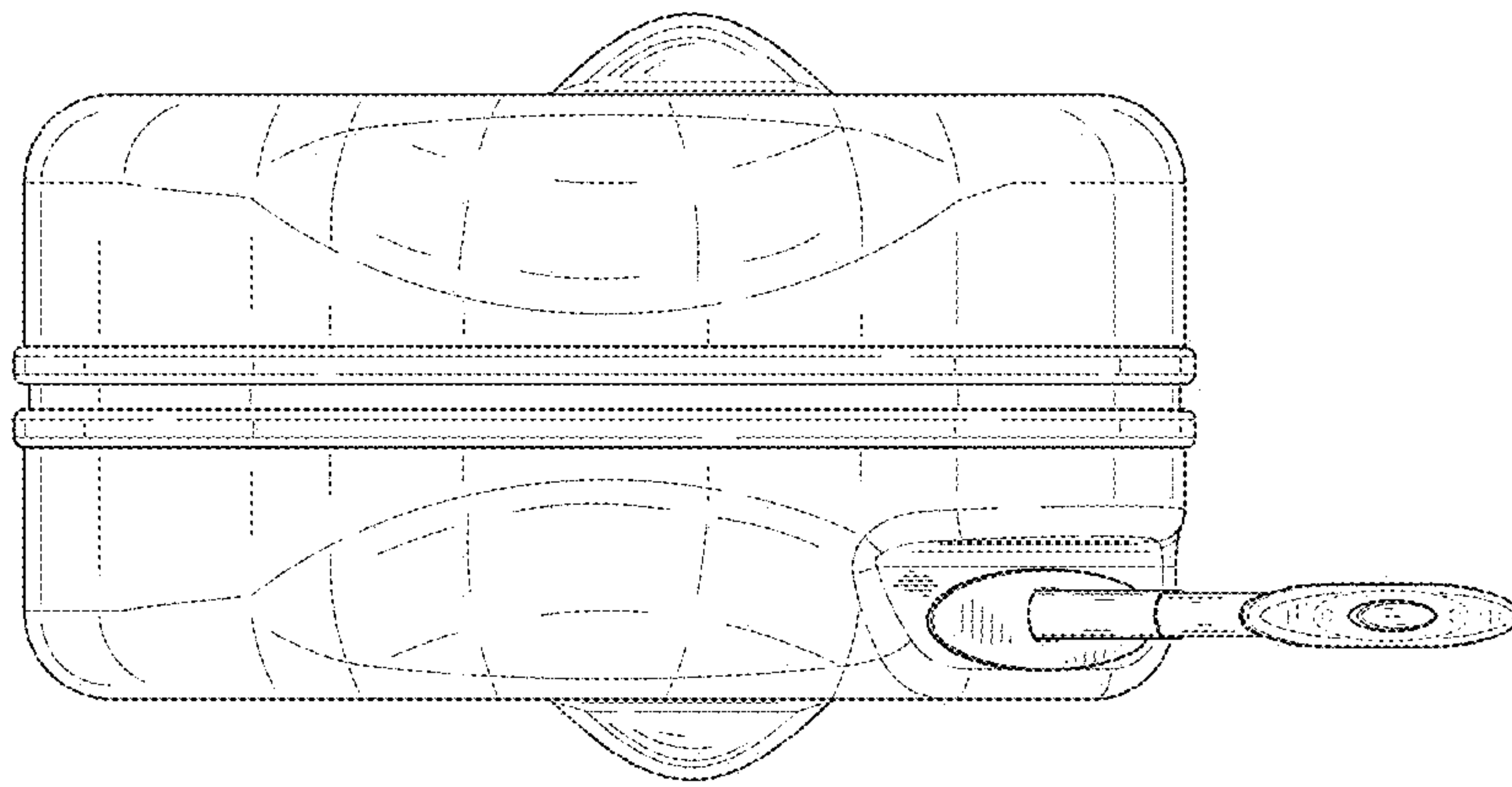


FIG. 7

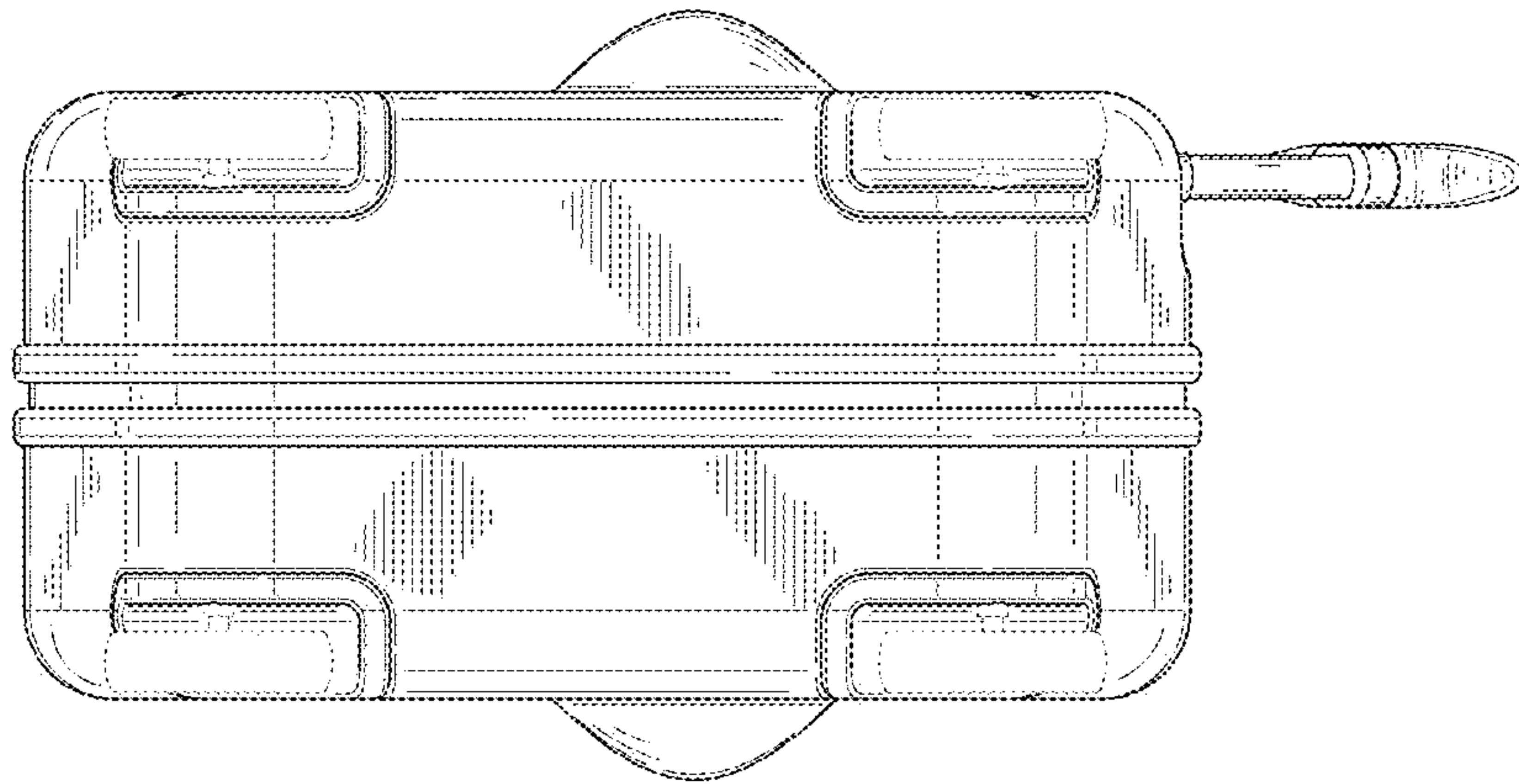


FIG. 8

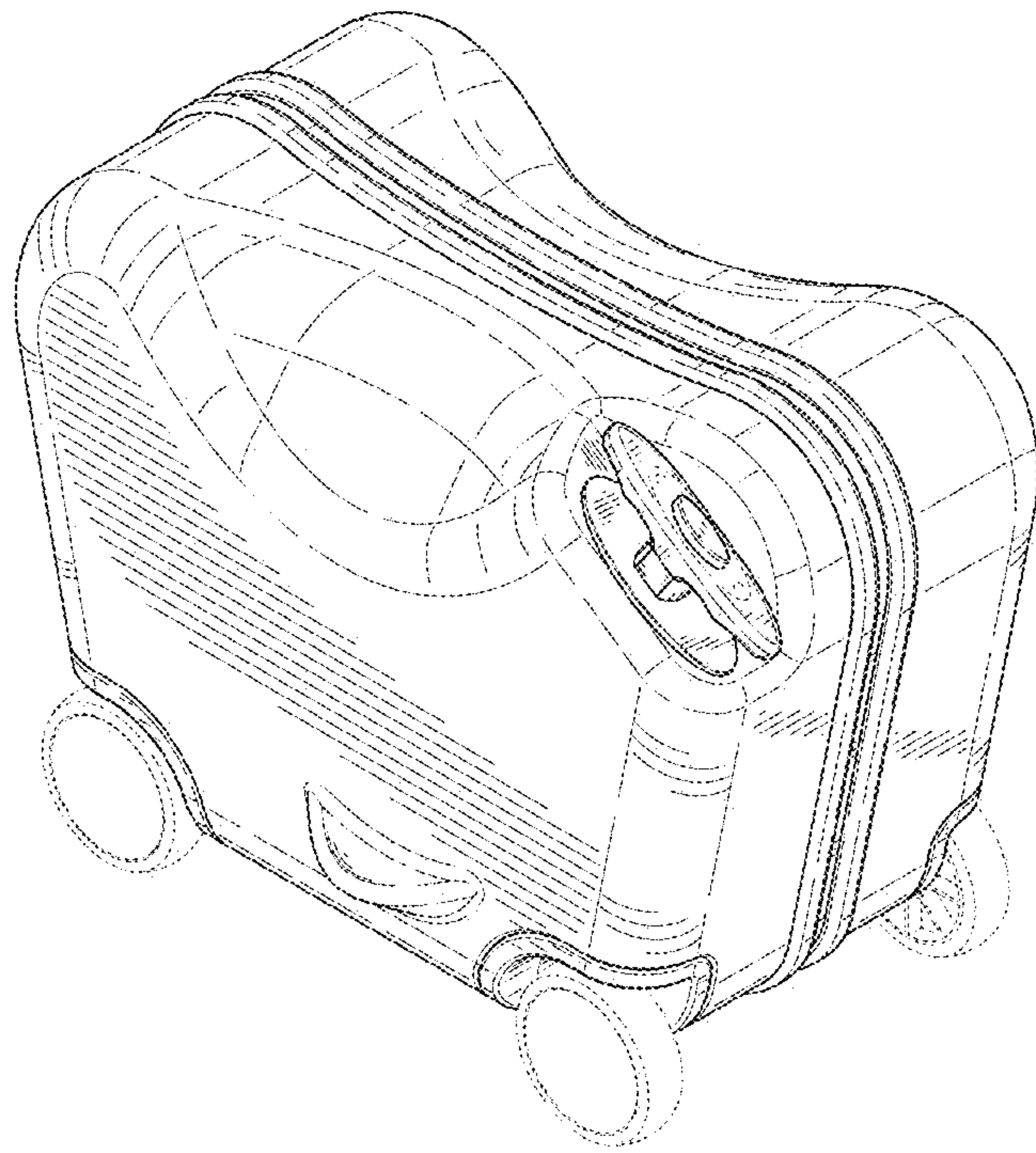


FIG. 9

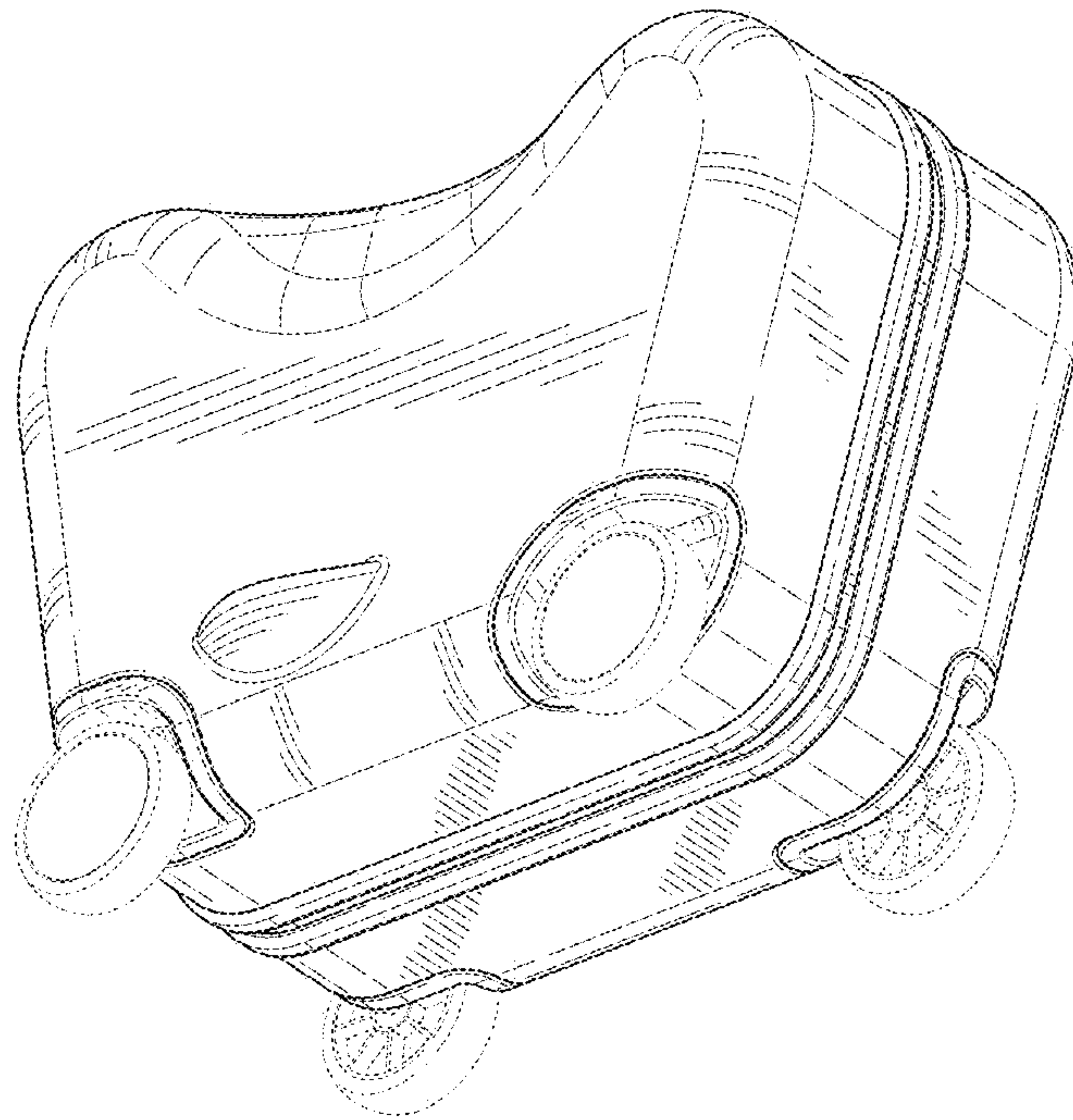


FIG. 10

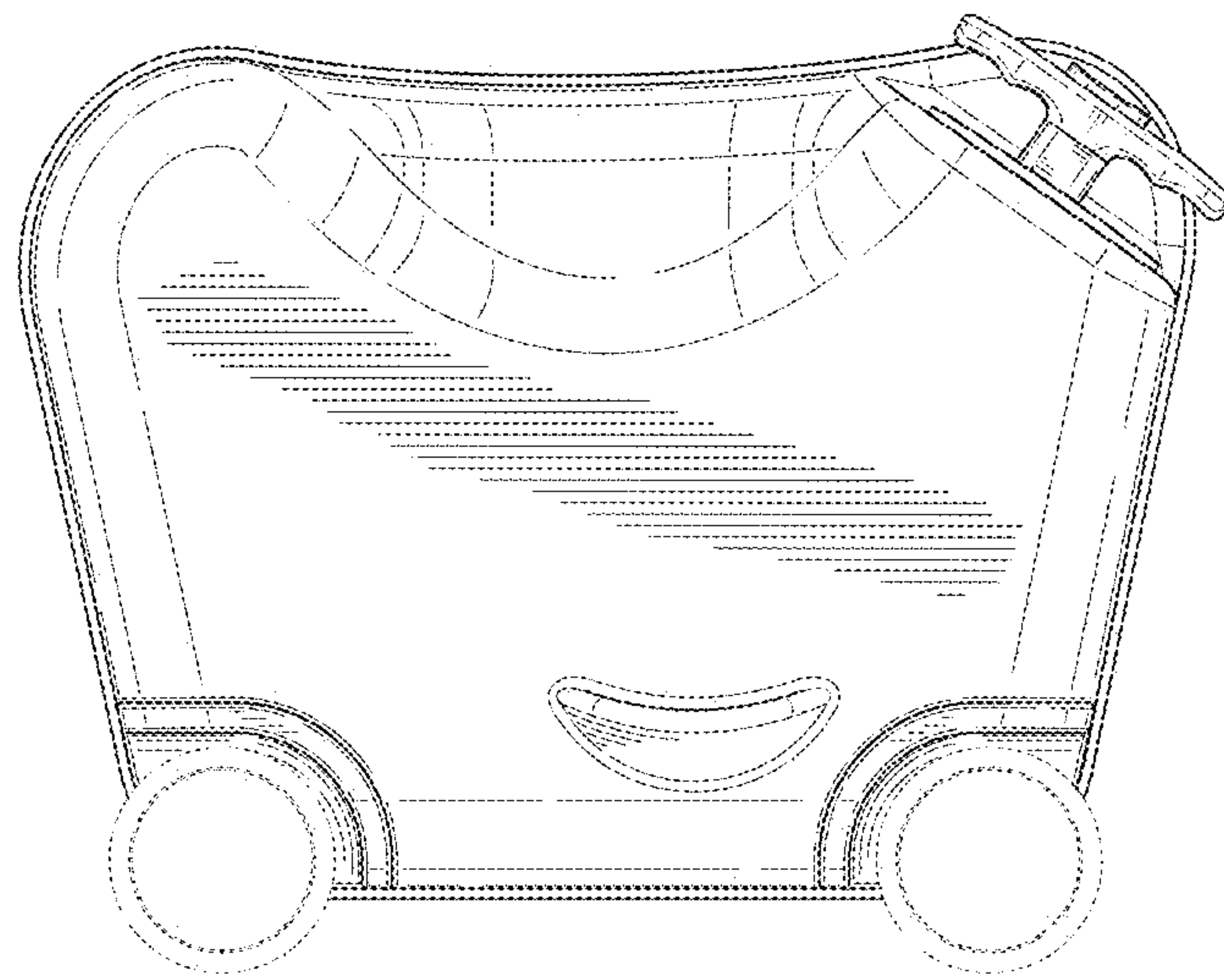


FIG. 11

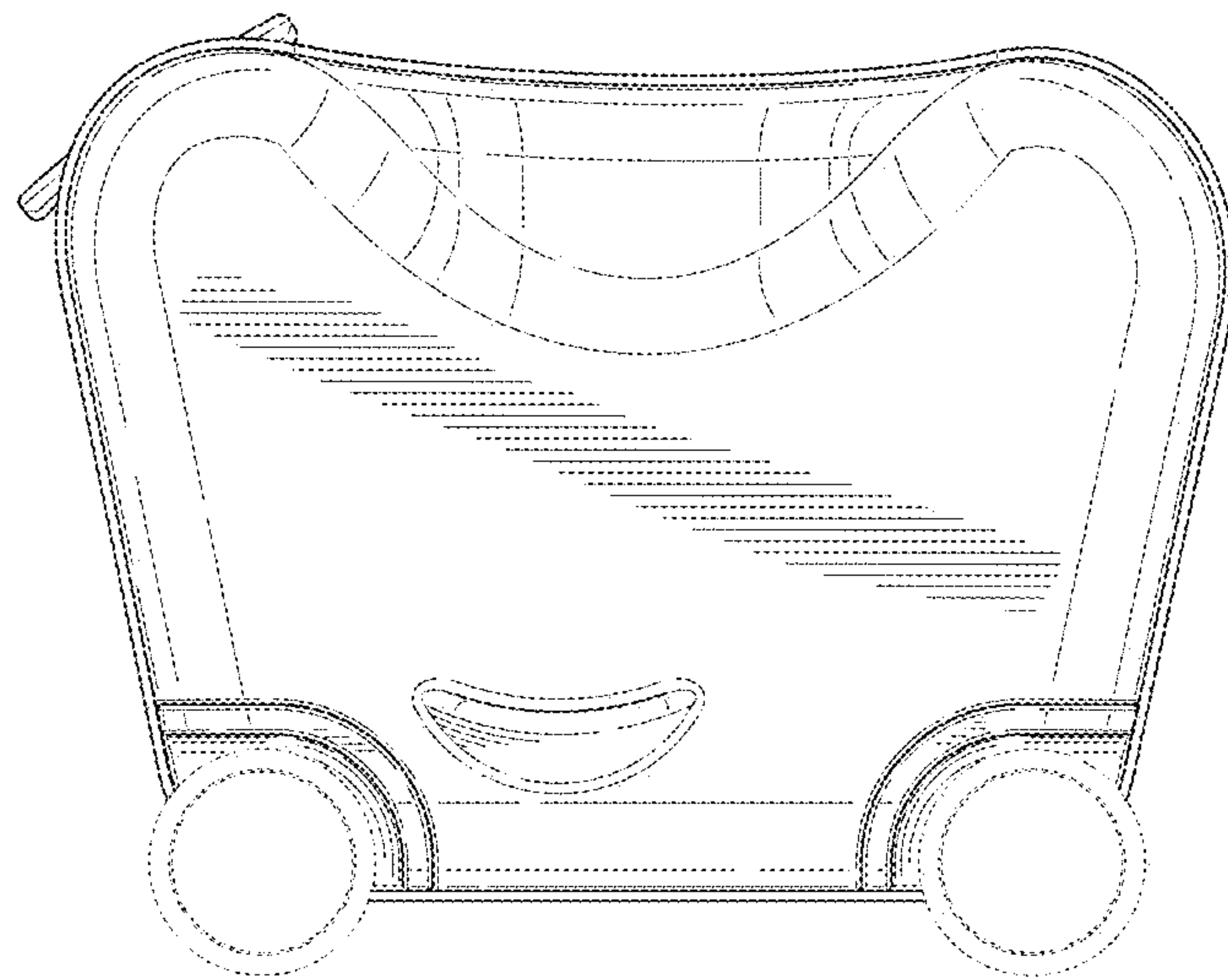


FIG. 12

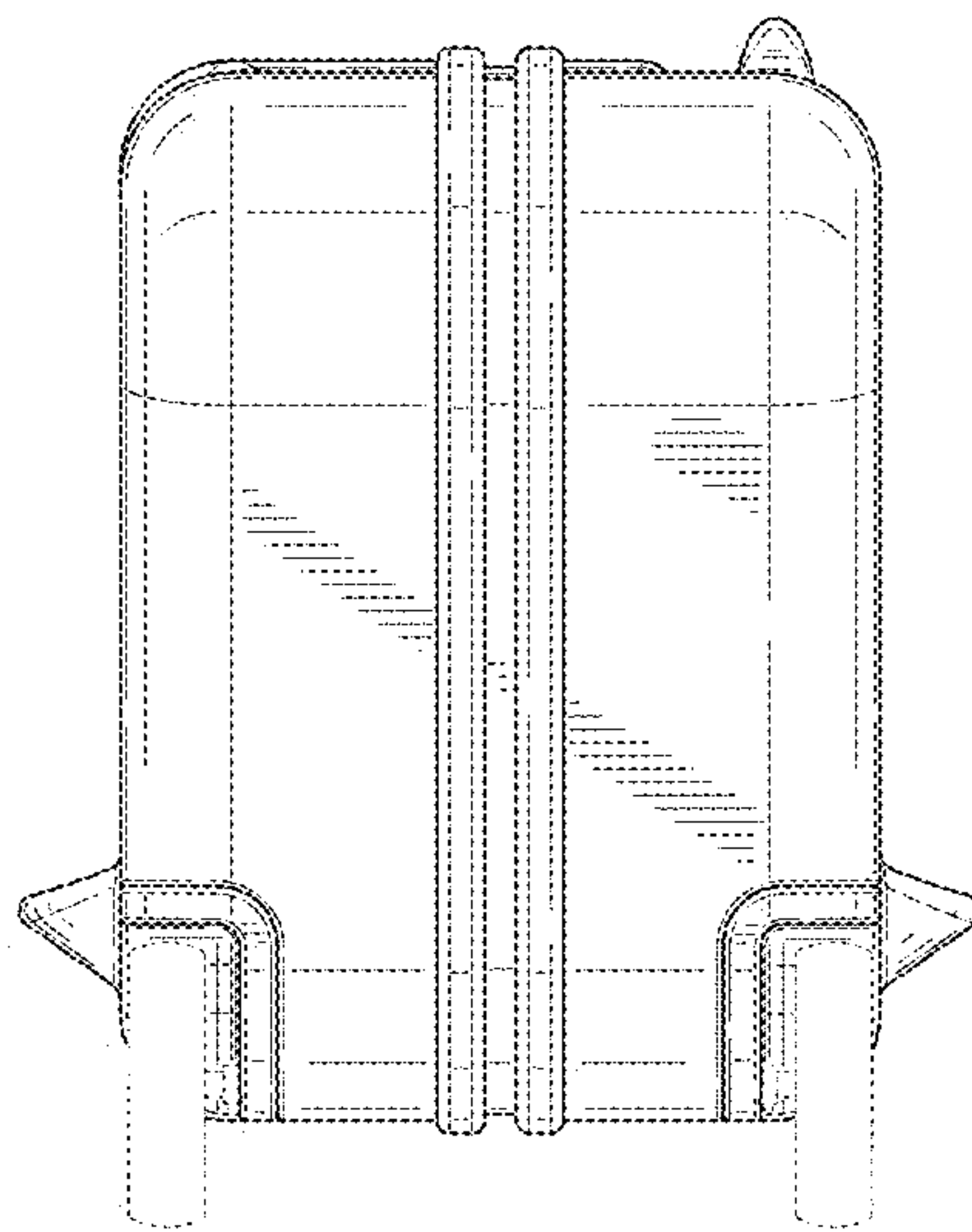


FIG. 13

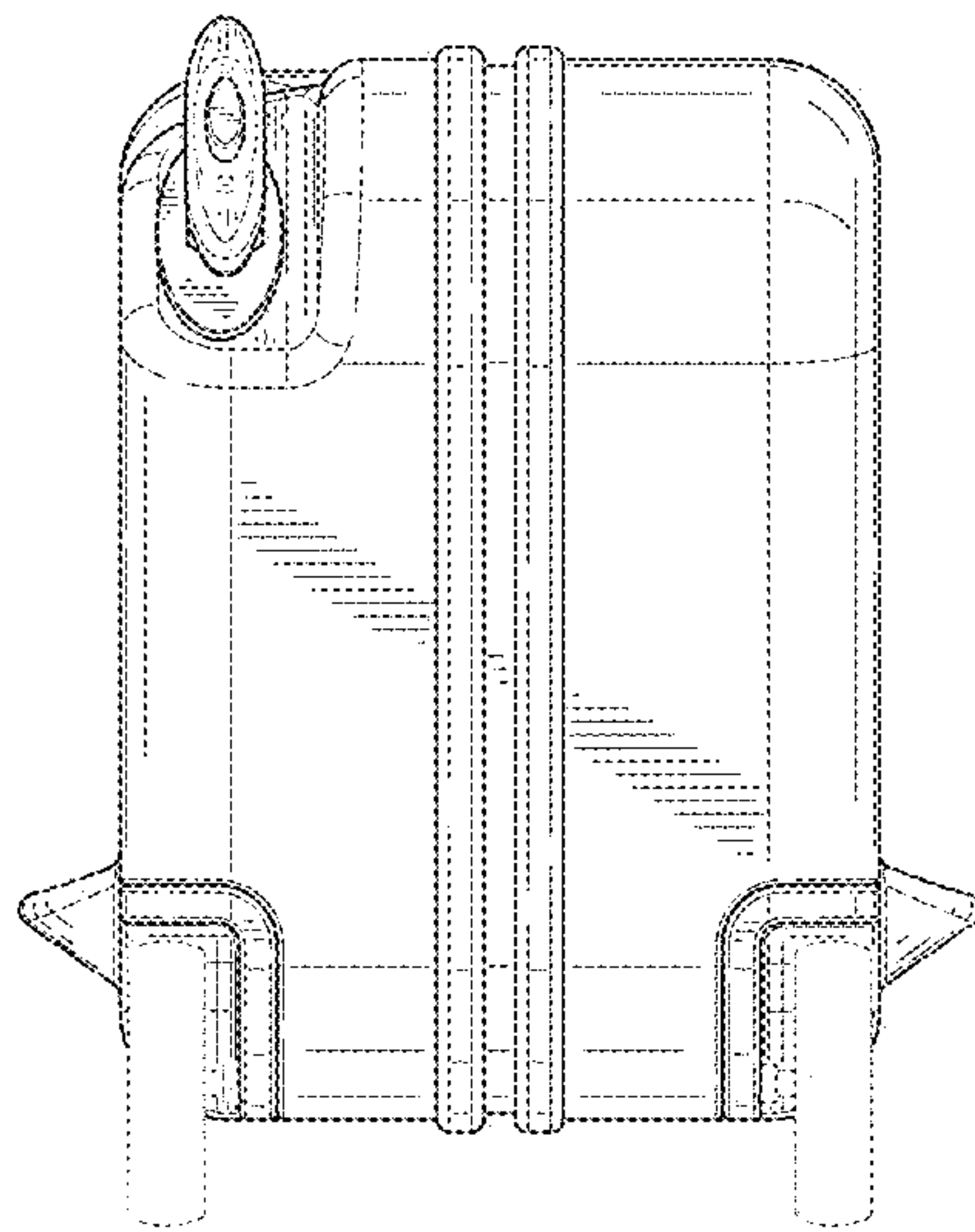


FIG. 14

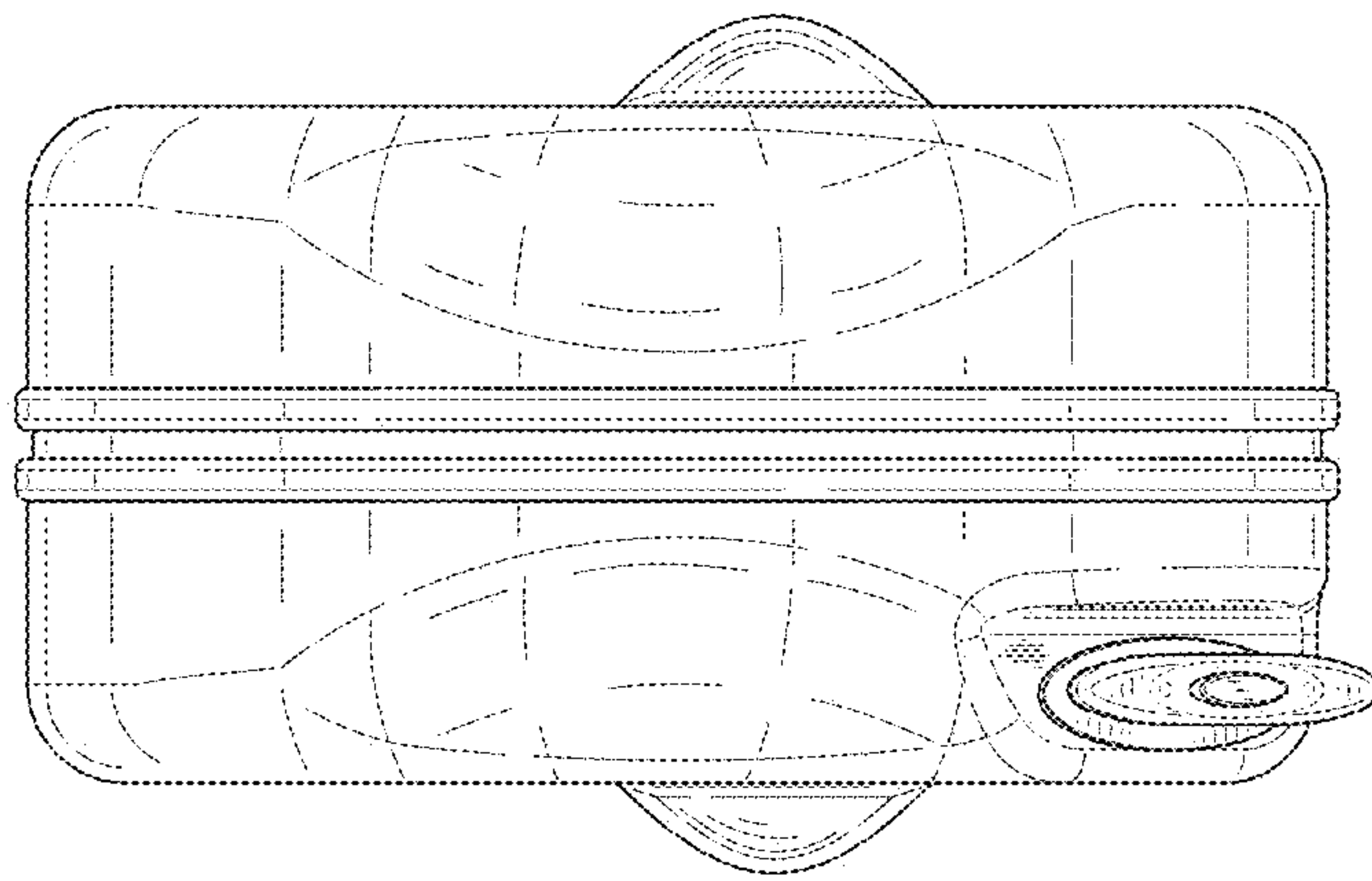


FIG. 15

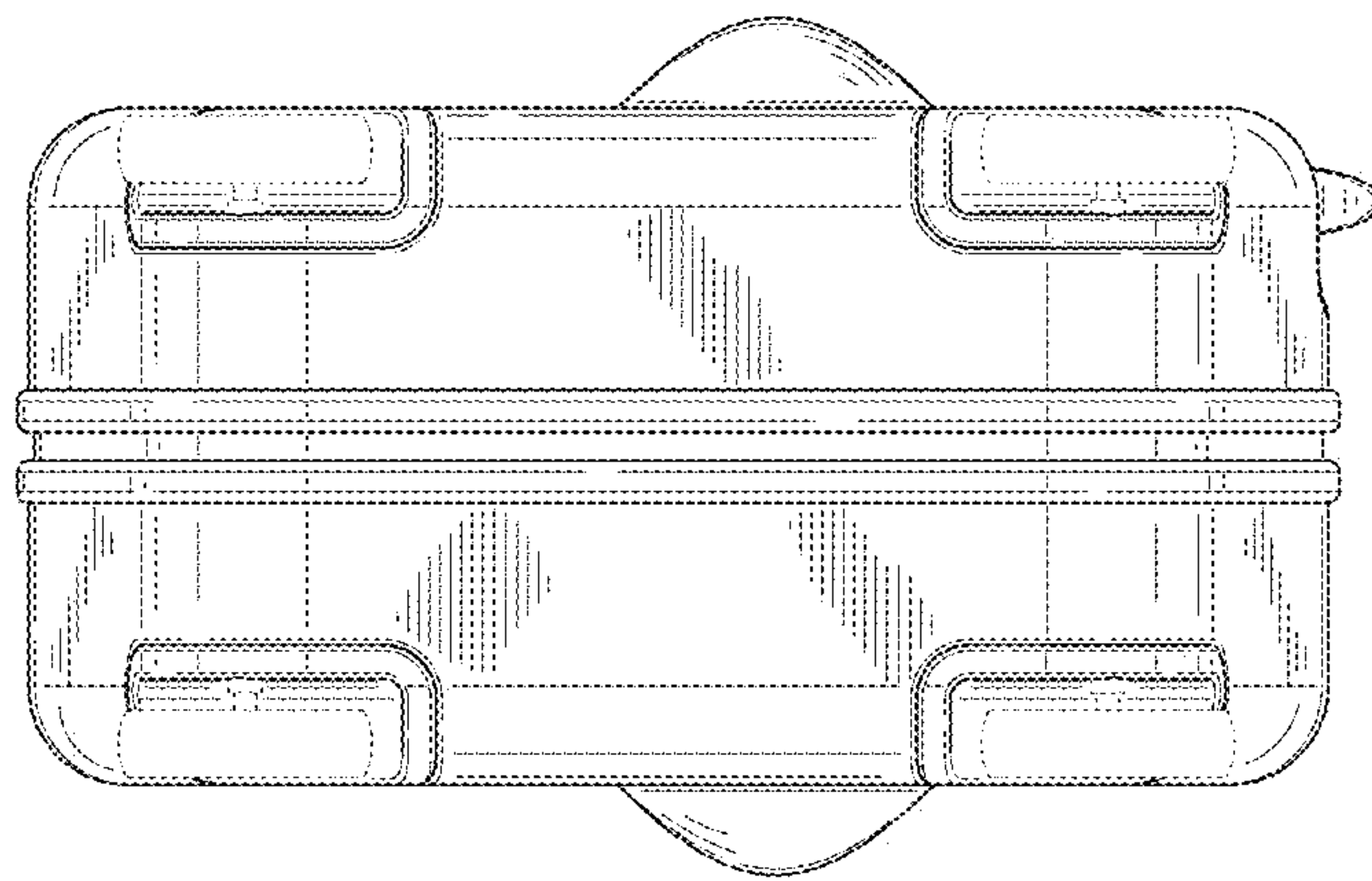


FIG. 16