



US00D938723S

(12) **United States Design Patent** (10) **Patent No.:** **US D938,723 S**
Olson (45) **Date of Patent:** **** Dec. 21, 2021**

(54) **AMMUNITION CONTAINER WITH LATCH**

FOREIGN PATENT DOCUMENTS

(71) Applicant: **Eldred D. Olson**, Clarkston, WA (US)

CN 304195949 * 7/2017

(72) Inventor: **Eldred D. Olson**, Clarkston, WA (US)

OTHER PUBLICATIONS

(**) Term: **15 Years**

MTM 20 Round Slip—Top Rifle Ammo Box, first available Feb. 6, 2015, amazon.com [online], [site visited Jan. 28, 2021], Available at internet URL: <https://www.amazon.com/MTM-Round-Slip-Top-Rifle-Ammo/dp/B006QP7L4G?th=1> (Year: 2015).*

(21) Appl. No.: **29/719,711**

(Continued)

(22) Filed: **Jan. 7, 2020**

(51) **LOC (13) Cl.** **03-01**

Primary Examiner — Jeffrey D Asch

(52) **U.S. Cl.**

Assistant Examiner — Caitlin A Lavery

USPC **D3/262**; D3/302

(74) *Attorney, Agent, or Firm* — Heisler & Associates

(58) **Field of Classification Search**

(57) **CLAIM**

USPC D3/203.1–203.3, 203.6, 205–206, 226, D3/228, 254, 260, 262, 273–274, 276, D3/281–291, 293–304, 313, 901, 903, D3/905; D28/73, 76

The ornamental design for an ammunition container with latch, as shown and described.

CPC B01L 3/0585; B01L 9/06; B65D 1/00; B65D 1/34; B65D 1/36; B65D 85/00; A45D 44/18; A45C 3/00; A45C 3/004; A45C 5/00; A45C 5/04; A45C 5/14; A45C 5/005; A45C 7/0095; A45C 9/00; A45C 11/00; A45C 11/008; A45C 11/16; A45C 11/26; A45C 13/02; A45C 15/04; A45C 2003/008; A45C 2011/007; A45F 3/04; A45F 3/047; A45F 3/10; A45F 3/14; A45F 4/02; A45F 4/08; A45F 2200/05; A45F 2200/0525; B25H 3/00; B25H 3/02; B25H 3/003; B25H 3/006; B25H 3/023; B25H 3/028; A61B 50/33; A61B 50/34

DESCRIPTION

See application file for complete search history.

FIG. 1 is a perspective view of the ammunition container with latch showing the cap portion exploded from the base portion;

FIG. 2 is a perspective view thereof showing the cap and base portions nested together;

FIG. 3 is a top plan view thereof;

FIG. 4 is a front elevation view thereof with the cap portion exploded from the base portion;

FIG. 5 is a right side elevation view thereof;

FIG. 6 is a bottom plan view thereof with the cap and base portions nested together;

FIG. 7 is a left side elevation view thereof with the cap portion exploded from the base portion; and,

FIG. 8 is a rear elevation view thereof.

The evenly spaced broken lines showing interior dividers illustrate portions of the ammunition container with latch and the unevenly dashed broken lines show the path along which the cap is removed from the base. The broken lines form no part of the claimed design.

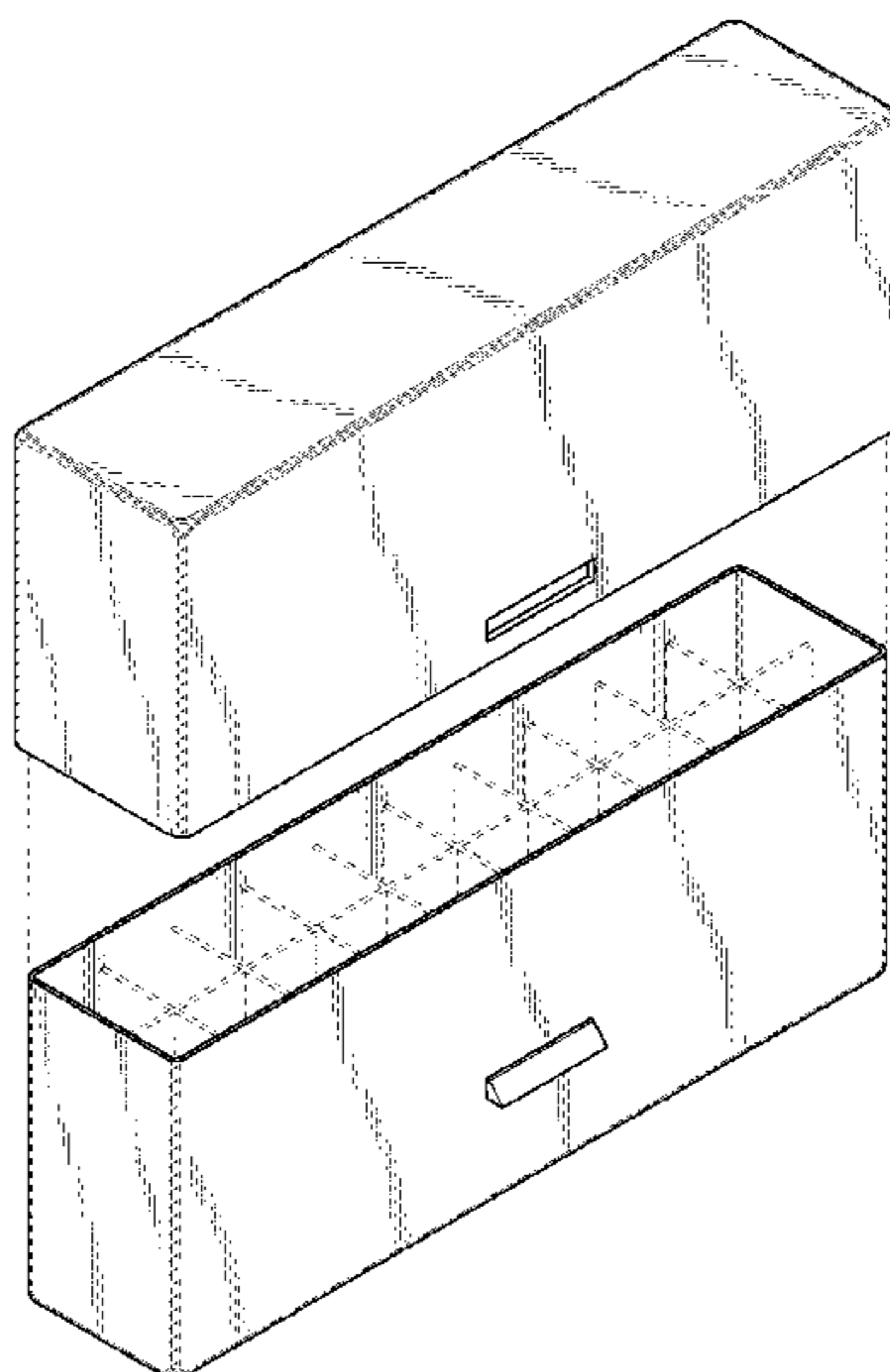
(56) **References Cited**

U.S. PATENT DOCUMENTS

D213,241 S * 1/1969 Curto D3/313
4,387,805 A * 6/1983 Lanius F41B 5/14
206/230

(Continued)

1 Claim, 3 Drawing Sheets



(56)

References Cited

U.S. PATENT DOCUMENTS

4,550,828 A * 11/1985 Baldwin B25H 3/02
206/349
D355,761 S * 2/1995 Campana D19/75
D388,905 S * 1/1998 Wells D28/73
D430,396 S * 9/2000 Biesecker D3/215
D457,718 S * 5/2002 McDonald D3/205
6,386,211 B1 * 5/2002 Smith A45D 44/18
132/286
6,400,247 B1 * 6/2002 King B65D 11/10
220/8
6,663,836 B1 * 12/2003 Kalmakis B01L 9/06
235/435
D517,318 S * 3/2006 Ruybal D3/273
D580,854 S * 11/2008 Kim D13/108
7,854,317 B1 * 12/2010 Hebert A45C 13/02
206/223
8,789,702 B1 * 7/2014 Shingyouchi-Hall
A45C 15/00
206/581
D712,141 S * 9/2014 Minneman D3/262
D712,748 S * 9/2014 Akana D9/721
D719,440 S * 12/2014 Matloff D9/418
D782,819 S * 4/2017 Hamernik D3/262
D783,281 S * 4/2017 Hamernik D3/262
D793,715 S * 8/2017 Mean D3/203.1

D820,689 S * 6/2018 Brunner D9/721
D821,087 S * 6/2018 Lihotzky D3/203.1
D913,680 S * 3/2021 Kim D3/203.1
D930,186 S * 9/2021 Kim D24/229
2010/0147718 A1 * 6/2010 Ruman B65D 5/62
206/438
2016/0318661 A1 * 11/2016 Simakis A45F 5/00
2019/0283921 A1 * 9/2019 Stamoulis A45C 11/008
2021/0086186 A1 * 3/2021 Ljungmann B01L 7/00

OTHER PUBLICATIONS

MTM R-50 Rifle Flip Top 50 Round Ammo Box, unknown first available date, guntap.com [online], [site visited Jan. 28, 2021], Available at internet URL: [https://shop.guntap.com/mtm-r-50-rifle-flip-top-50-round-ammo-box/\(Year: 2021\).](https://shop.guntap.com/mtm-r-50-rifle-flip-top-50-round-ammo-box/(Year: 2021).)*
Boite A Munitions 9MM, unknown first available date, cults3d.com [online], [site visited Jan. 28, 2021], Available at internet URL: [https://cults3d.com/fr/mod%C3%A8le-3d/divers/boite-a-munitions-9-mm \(Year: 2021\).](https://cults3d.com/fr/mod%C3%A8le-3d/divers/boite-a-munitions-9-mm (Year: 2021).)*
Cladwell .223/.204 Ammo Box., first available Jan. 2, 2015, amazon.com [online],[site visited Jan. 28, 2021], Available at URL: [https://www.amazon.com/gp/product/B00RPAGLMY/ref=as_li_qf_asin_il_tl?ie=UTF8&tag=vetterland-20&creative=9325&linkCode=as2&creativeASIN=B00RPAGLMY&linkId=a197c7fe3e66edb235dcf5b20a175102 \(Year: 2015\).](https://www.amazon.com/gp/product/B00RPAGLMY/ref=as_li_qf_asin_il_tl?ie=UTF8&tag=vetterland-20&creative=9325&linkCode=as2&creativeASIN=B00RPAGLMY&linkId=a197c7fe3e66edb235dcf5b20a175102 (Year: 2015).)*

* cited by examiner

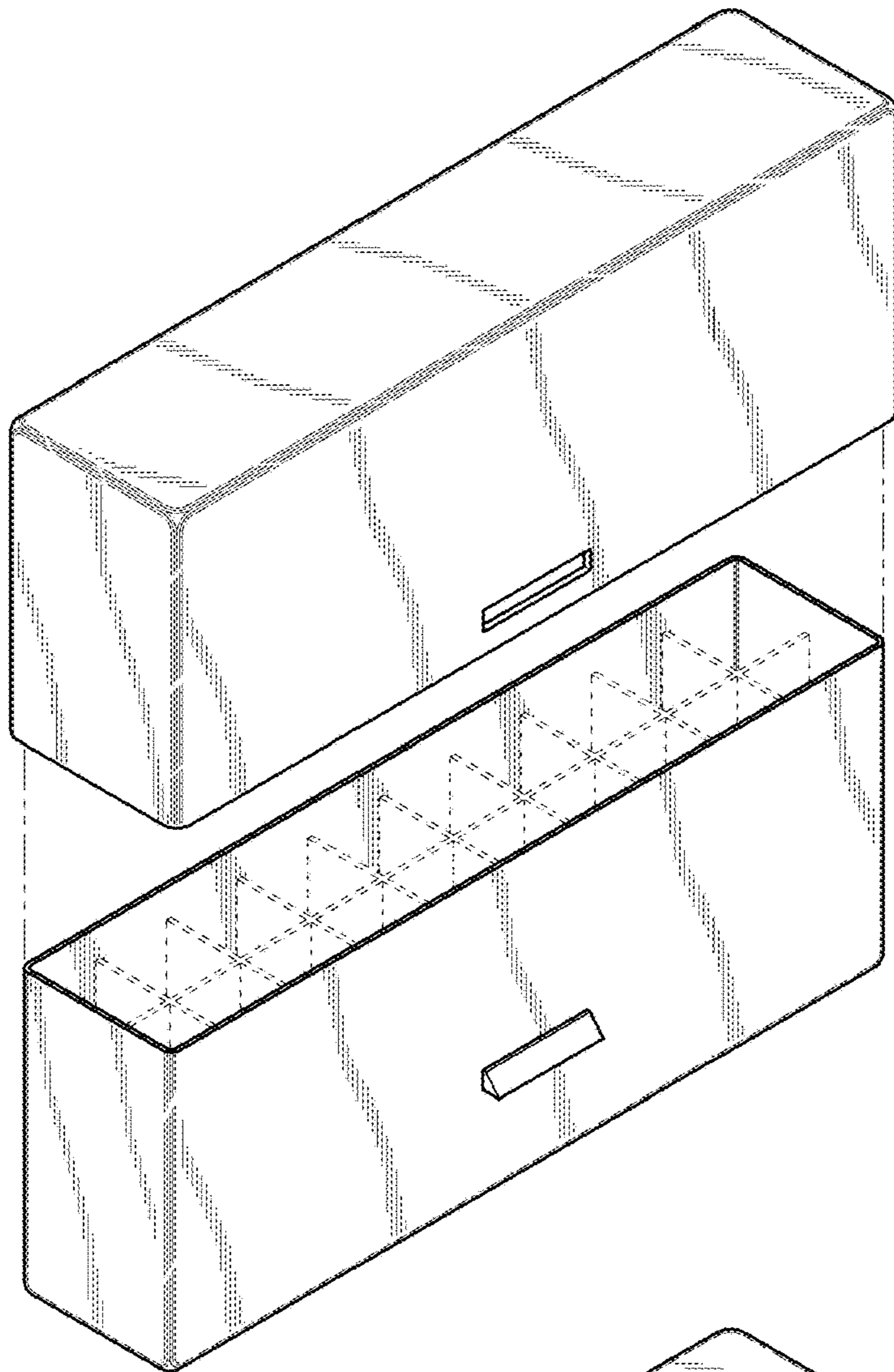


Fig.1

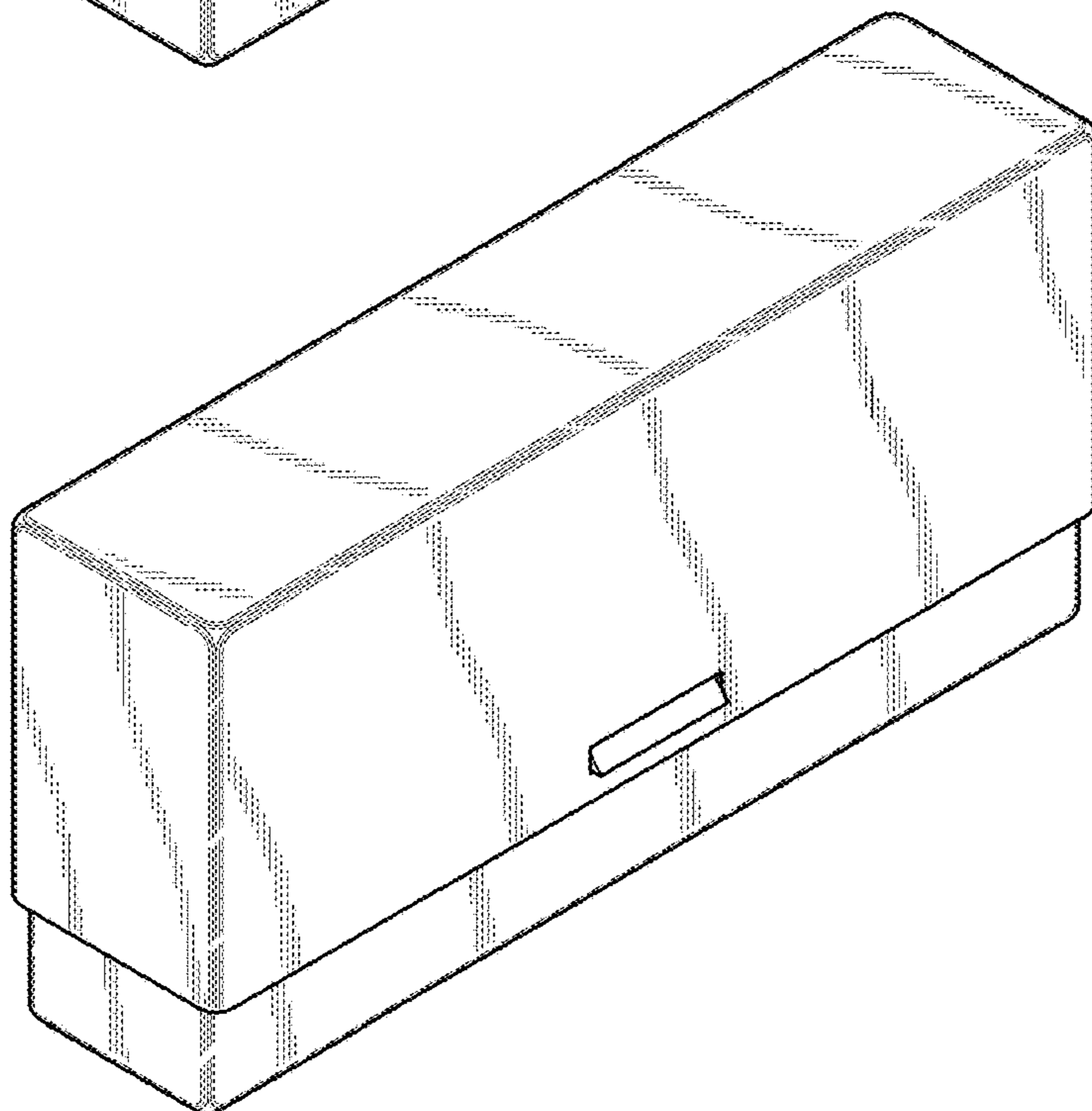


Fig.2

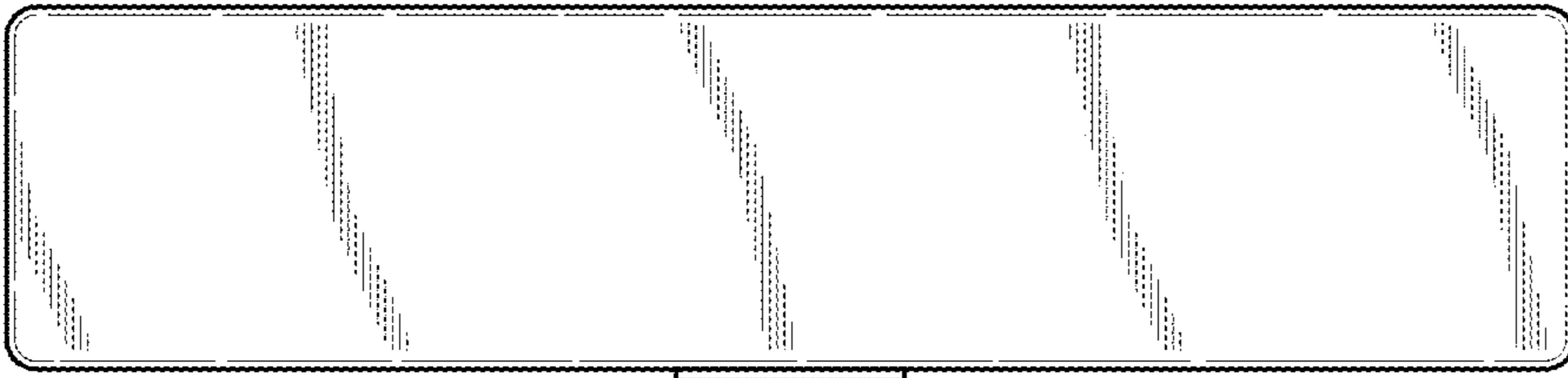


Fig.3

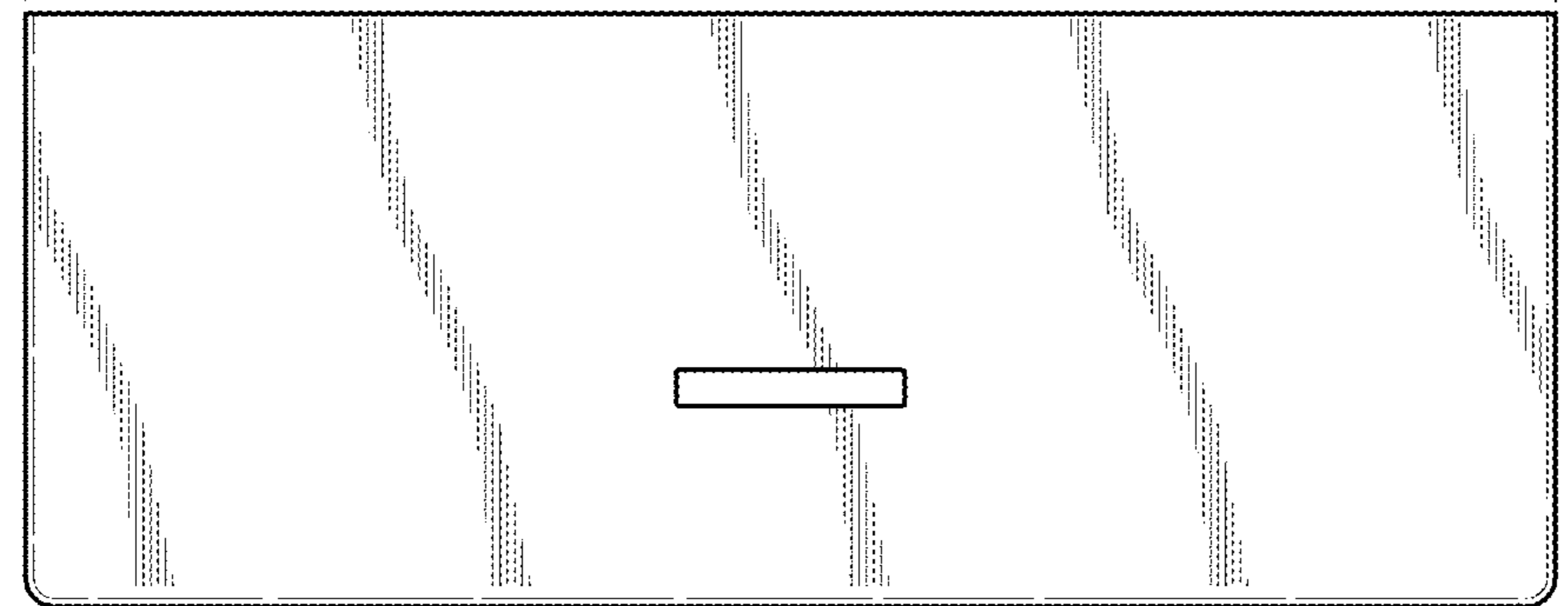
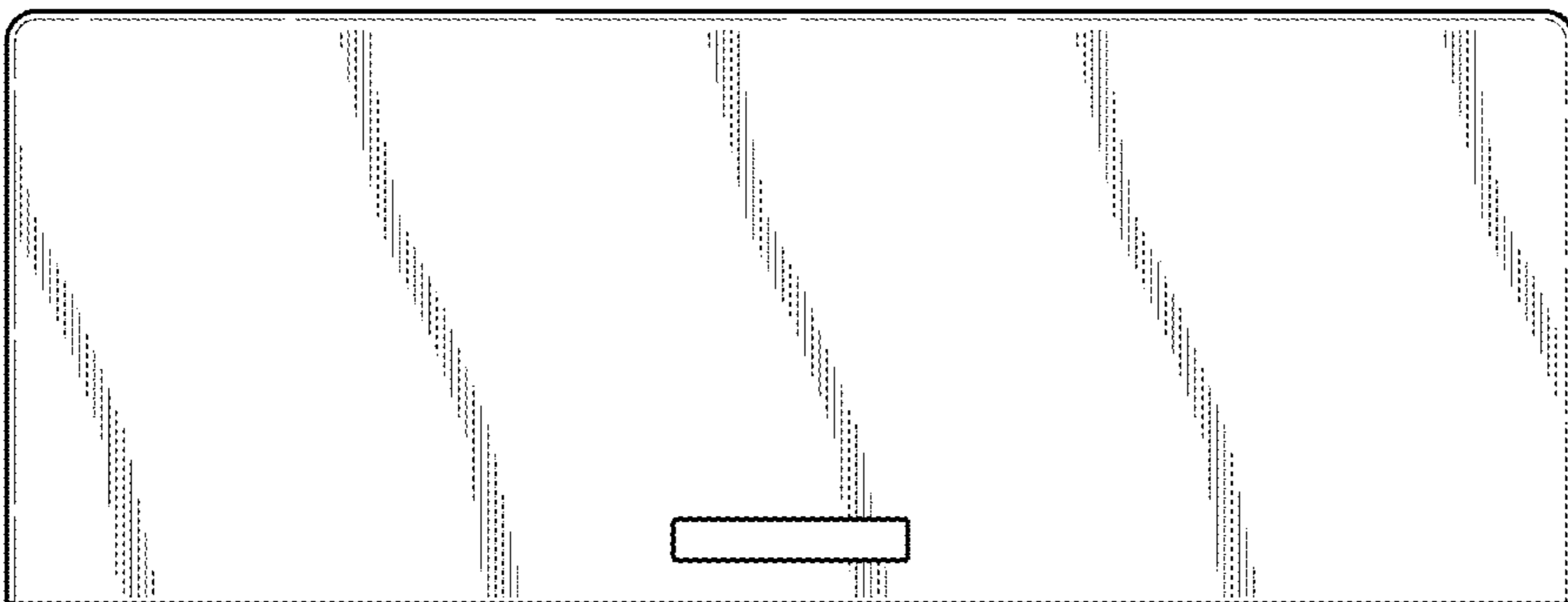


Fig.4

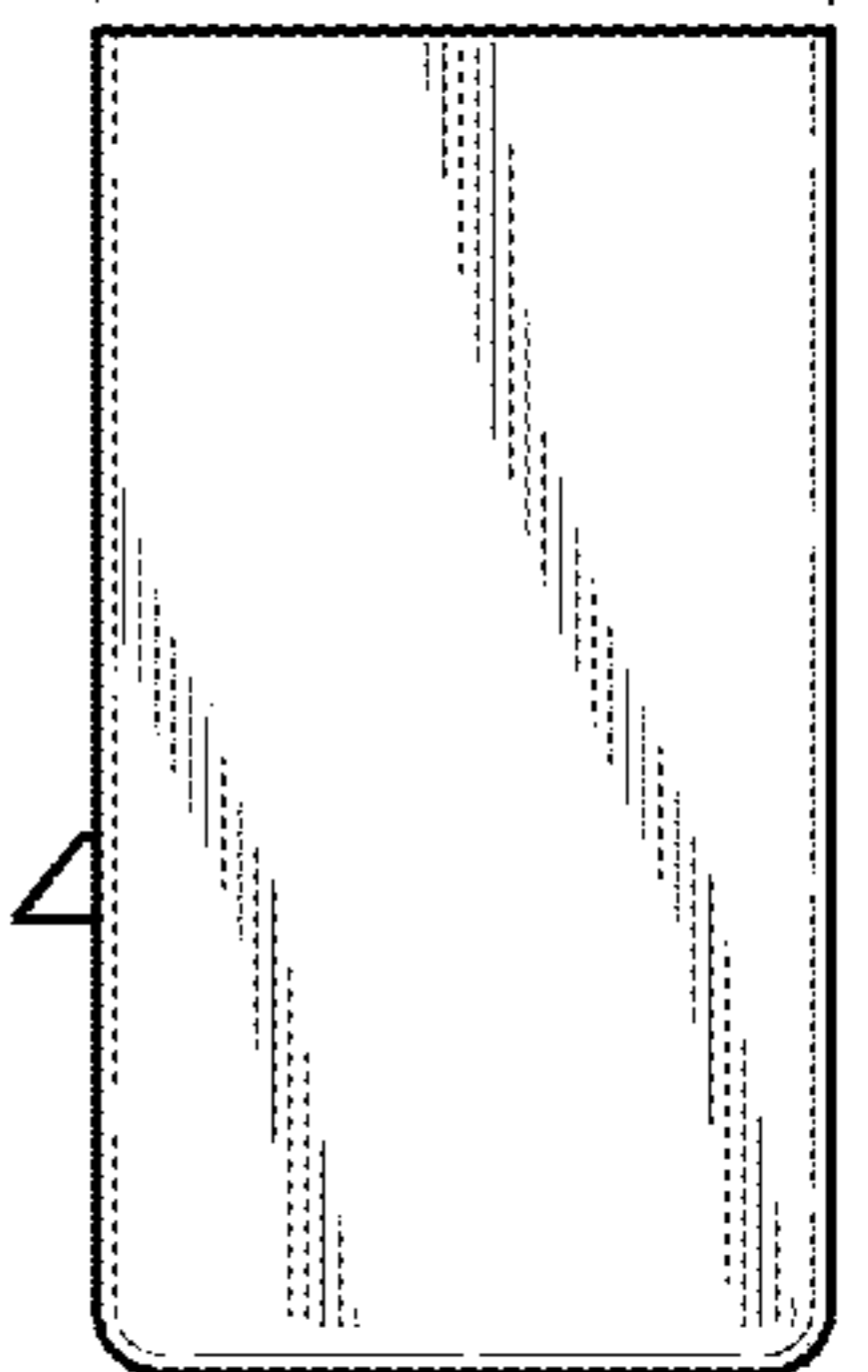
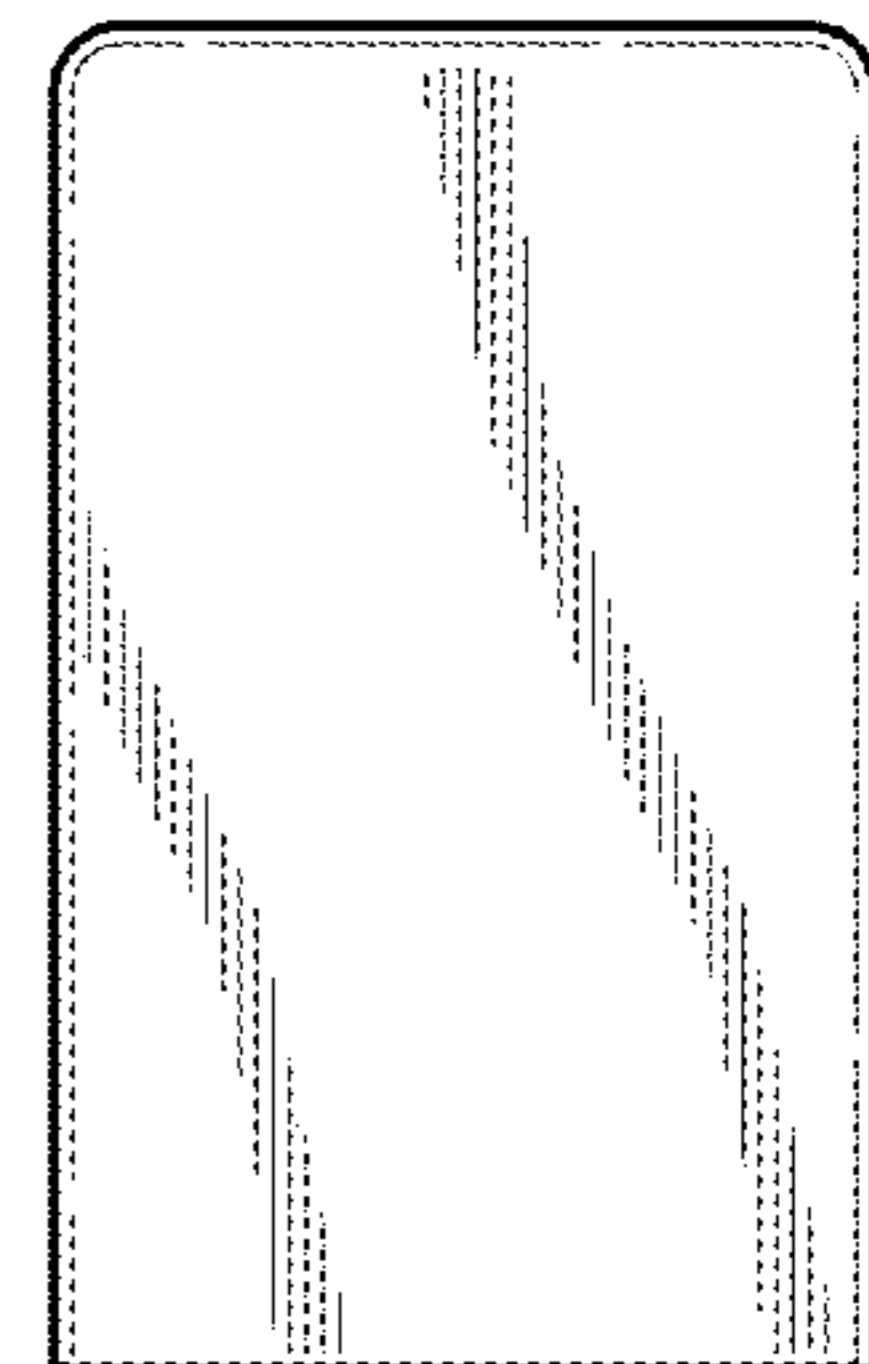


Fig.5

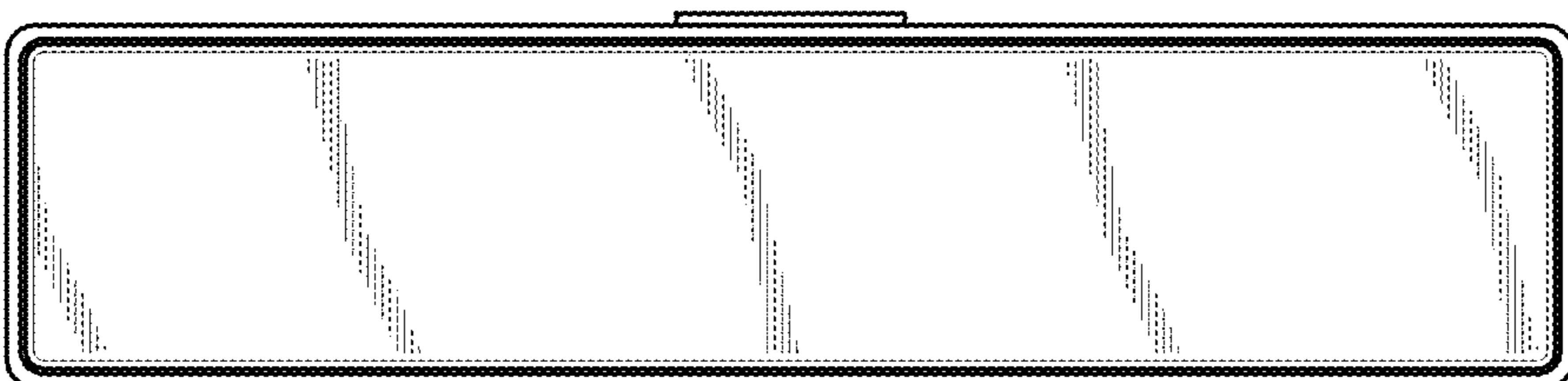


Fig.6



Fig.8

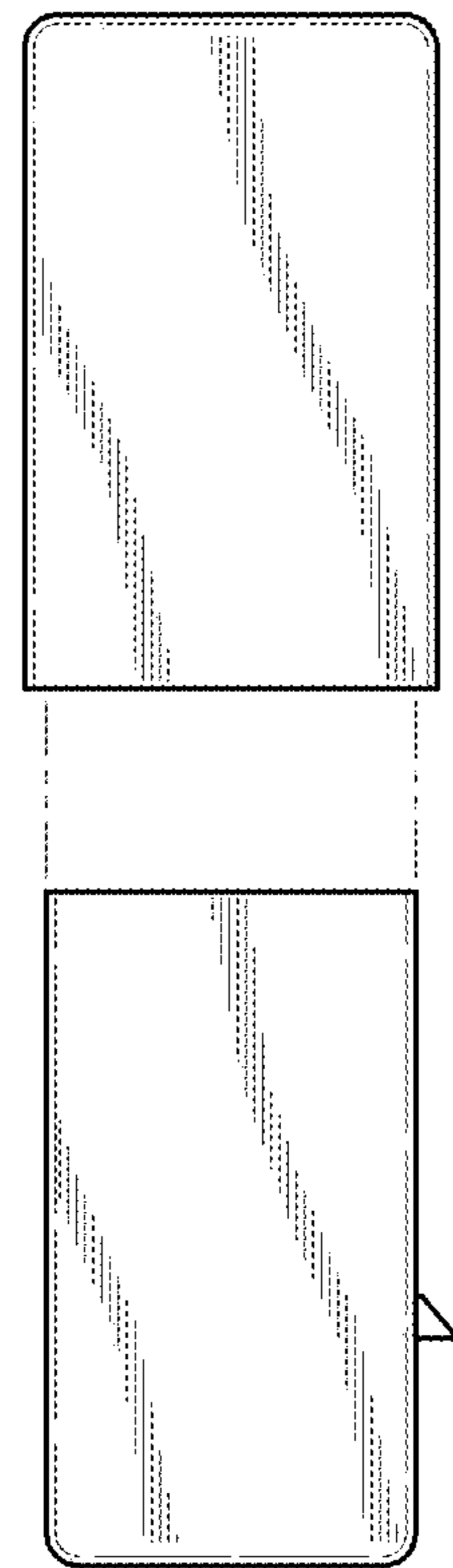


Fig.7