



US00D938722S

(12) **United States Design Patent** (10) **Patent No.:** **US D938,722 S**
Tan (45) **Date of Patent:** **** Dec. 21, 2021**

(54) **EXPANDABLE TACKLE BAG**

(71) Applicant: **Thousand Oaks Corp.**, Irwindale, CA (US)

(72) Inventor: **Roger Tan**, Chino, CA (US)

(73) Assignee: **Thousand Oaks Corp.**, Irwindale, CA (US)

(**) Term: **15 Years**

(21) Appl. No.: **29/697,566**

(22) Filed: **Jul. 9, 2019**

(51) **LOC (13) Cl.** **03-01**

(52) **U.S. Cl.**
USPC **D3/260; D3/301**

(58) **Field of Classification Search**
USPC D3/254, 260, 262, 273, 276, 283–290,
D3/293–294, 299, 301, 315, 902, 904,
(Continued)

(56) **References Cited**

U.S. PATENT DOCUMENTS

258,393 A 5/1882 Endicott
1,482,678 A 2/1924 Figley
(Continued)

FOREIGN PATENT DOCUMENTS

CN 101066048 A 11/2007
CN 101088330 A 12/2007
(Continued)

OTHER PUBLICATIONS

Okuma Fishing Tackle Soft Sided Tackle Bag, first available Oct. 23, 2015, amazon.com [online], [site visited Nov. 24, 2020]. Available from internet URL: <https://www.amazon.com/Okuma-Fishing-Tackle-Soft-Sided/dp/B018M56S28> (Year: 2015).*

(Continued)

Primary Examiner — Jeffrey D Asch
Assistant Examiner — Caitlin A Lavery

(74) *Attorney, Agent, or Firm* — J. Andrew Reed; Vincent J. Allen; Carstens & Cahoon, LLP

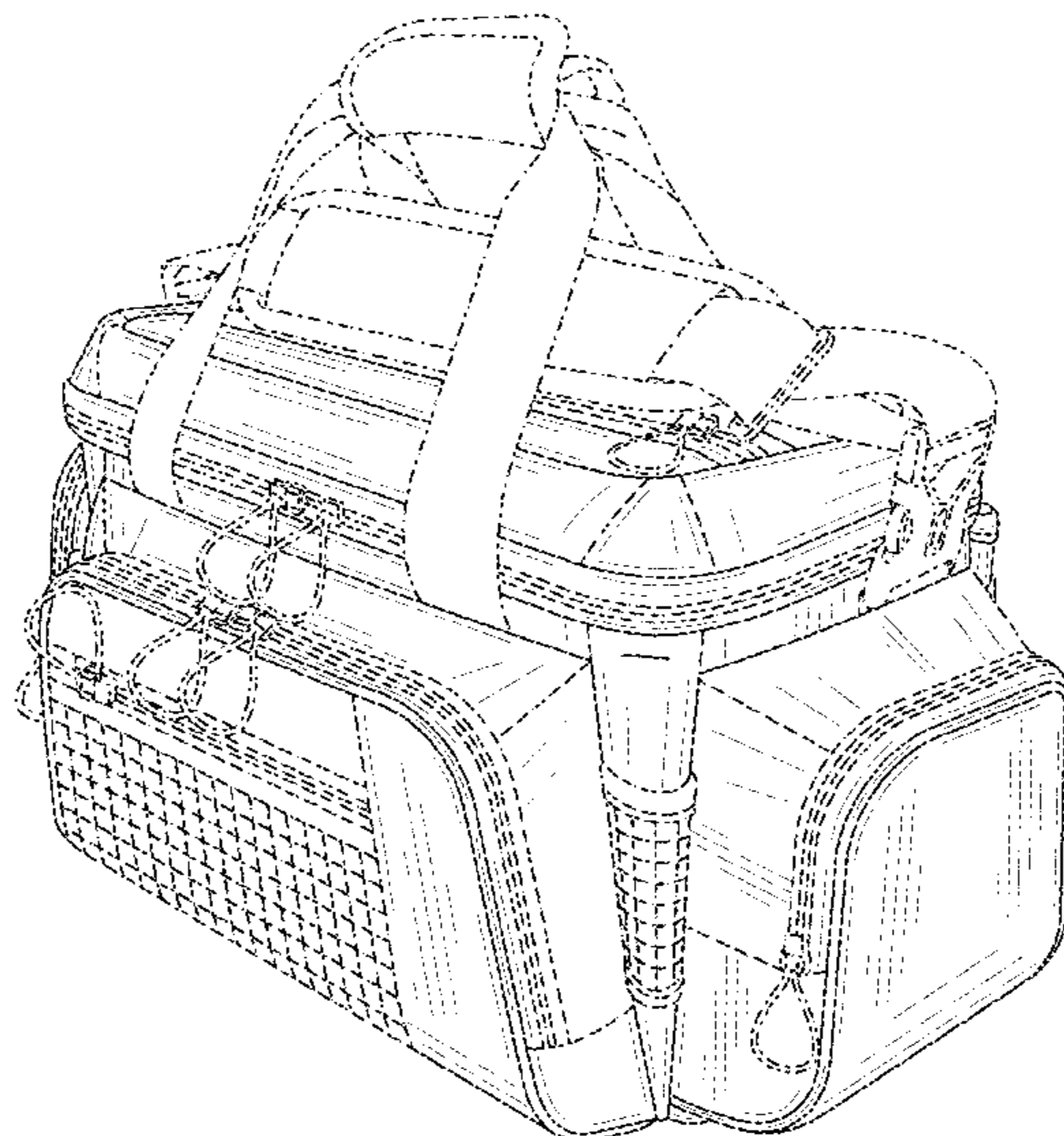
(57) **CLAIM**

The ornamental design for an expandable tackle bag, as shown and described herein.

DESCRIPTION

FIG. 1 is a front view of the expandable tackle bag; FIG. 2 is a rear view of the expandable tackle bag in an unexpanded state with the shoulder strap removed; FIG. 3 is a left side view of the expandable tackle bag in an unexpanded state; FIG. 4 is a right side view of the expandable tackle bag in an unexpanded state; FIG. 5 is a top view of the expandable tackle bag in an unexpanded state with the shoulder strap removed; FIG. 6 is a bottom view of the expandable tackle bag in an unexpanded state; FIG. 7 is a left side perspective view of the expandable tackle bag in an unexpanded state; FIG. 8 is a right side perspective view of the expandable tackle bag in an unexpanded state; FIG. 9 is a rear view of the expandable tackle bag in an expanded state with tackle trays in broken lines with the shoulder strap removed; FIG. 10 is a right side view of the expandable tackle bag in an expanded state with tackle trays in broken lines; and, FIG. 11 is a rear perspective view of the expandable tackle bag in an expanded state with tackle trays in broken lines. The various components shown in dash-dot broken line illustrate areas provided for environmental illustrative purposes only and form no part of the claimed design. Additionally, dashed lines on shaded areas are illustrative examples of stitching, mesh, or zippers and form no part of the claimed design.

1 Claim, 11 Drawing Sheets



(58) **Field of Classification Search**

USPC D3/905, 216, 217, 232; D7/605, 607;
D22/136
CPC A45C 3/00; A45C 2003/007; A45C
2003/008; A45C 5/00; A45C 5/03; A45C
5/06; A45C 2005/032; A45C 2005/035;
A45C 2005/037; A45C 7/00; A45C
7/0059; A45C 7/0063; A45F 3/02; A45F
2200/05; F25D 3/08

See application file for complete search history.

(56) **References Cited**

U.S. PATENT DOCUMENTS

1,791,346 A 2/1931 Burch et al.
2,102,977 A 12/1937 Shoemaker et al.
2,316,833 A 4/1943 Baron
2,595,463 A 5/1952 Kamps
2,616,209 A 11/1952 Ploen
2,717,470 A 9/1955 Holdeman
2,730,833 A 1/1956 Newell
2,956,365 A 10/1960 Smith et al.
2,987,846 A 6/1961 Powell
3,047,349 A 7/1962 Powell
3,122,225 A * 2/1964 Ward A45C 7/0063
190/108
3,181,751 A 5/1965 Wilson
RE25,826 E * 8/1965 Ward A45C 7/0063
190/108
3,310,271 A 3/1967 King
3,481,066 A 12/1969 Woolworth
3,564,755 A 2/1971 Lindgren, Sr.
3,813,138 A 5/1974 Doohan
3,850,396 A 11/1974 Orlandi
3,985,409 A 10/1976 Kneier
4,023,304 A 5/1977 Singer
4,151,938 A 5/1979 Barker et al.
4,176,491 A 12/1979 Herring
4,240,222 A 12/1980 Covington
4,245,422 A 1/1981 Souza
4,324,446 A 4/1982 LeSage
D284,333 S 6/1986 Huston
D284,620 S 7/1986 Calton
D291,149 S 8/1987 Smith
4,739,886 A 4/1988 Seaberg
4,769,941 A 9/1988 Schmidt
4,811,996 A 3/1989 Hansson
4,958,730 A 9/1990 Bunten
D312,530 S * 12/1990 Gallen D3/268
5,054,669 A 10/1991 Zimbardi et al.
5,087,105 A 2/1992 White
D333,038 S 2/1993 Collins
5,217,119 A 6/1993 Hollingsworth
5,261,529 A 11/1993 Holland
D347,521 S 6/1994 Elliott
D352,827 S * 11/1994 Schildkraut D3/283
5,386,662 A 2/1995 Vader et al.
D360,182 S 7/1995 Lovett
D371,052 S * 6/1996 Melk D7/607
5,526,927 A 6/1996 McLemore
D371,724 S 7/1996 Melk
5,556,068 A 9/1996 Gorelik
D376,044 S 12/1996 Trawick et al.
5,606,820 A 3/1997 Suddeth
D383,601 S 9/1997 Jones et al.
D389,305 S 1/1998 Hauschild
5,762,170 A 6/1998 Shyr et al.
5,769,260 A 6/1998 Killinger et al.
D396,745 S 8/1998 Peterson
D401,062 S * 11/1998 Hauschild D3/287
5,829,185 A 11/1998 Myers
D423,779 S 5/2000 Goatcher
D427,768 S 7/2000 Bogert
6,202,865 B1 3/2001 Kuo
D465,086 S 11/2002 Watts
D468,101 S 1/2003 Hassett

D469,606 S 2/2003 Su
D471,012 S * 3/2003 Peterson D3/254
D472,380 S * 4/2003 Hillman D3/263
D472,386 S 4/2003 Bauer
D474,598 S 5/2003 Platte, III
D476,480 S * 7/2003 Hillman D3/263
6,612,434 B1 9/2003 Redzisz
D482,525 S * 11/2003 Fair D3/263
D482,842 S 12/2003 Fair
D484,695 S 1/2004 DePalma
D487,189 S 3/2004 Ukitsu
D487,191 S 3/2004 Ong
D504,229 S 4/2005 Duvigneau
D506,061 S 6/2005 McGibben
6,926,136 B1 8/2005 Lynch-Bass
D528,295 S 9/2006 Harvey
7,162,890 B2 1/2007 Mogil et al.
D542,031 S * 5/2007 Zapata D3/263
7,240,513 B1 7/2007 Conforti
D552,350 S 10/2007 Bosley
D556,452 S 12/2007 Hydon
D560,450 S * 1/2008 Tagliati D3/287
D566,393 S 4/2008 Kidakarn
D574,615 S 8/2008 Picot et al.
7,604,103 B2 * 10/2009 Hamlin A45C 7/0022
150/112
7,621,074 B2 11/2009 Glidewell et al.
D620,254 S 7/2010 Noraker
7,937,884 B1 5/2011 Naylor et al.
7,941,965 B2 5/2011 Hoover
D639,051 S 6/2011 Dare
D647,301 S 10/2011 Sosnovsky
8,043,004 B2 10/2011 Mogil
D648,533 S * 11/2011 Sosnovsky D3/283
D660,589 S 5/2012 Ayjian
8,348,510 B2 1/2013 Mogil
D676,652 S 2/2013 Holloway et al.
D692,661 S * 11/2013 Gupton, Jr. A45C 7/0063
D3/287
D714,541 S 10/2014 Anderson et al.
D724,318 S 3/2015 Myer
D742,637 S 11/2015 Miles
D761,564 S 7/2016 Rhodes
D762,384 S 8/2016 Boroski
D762,978 S * 8/2016 Boroski D3/283
9,462,874 B1 10/2016 Samuel
D779,824 S 2/2017 Boroski
D781,575 S 3/2017 Etekochay
D787,816 S 5/2017 Slimane
D793,728 S 8/2017 Faibish et al.
D796,188 S 9/2017 Ho
D821,097 S 6/2018 Burton et al.
D824,170 S 7/2018 Tobias
D831,952 S 10/2018 Pennington
D832,653 S 11/2018 Waskow et al.
D833,141 S 11/2018 Carter et al.
D835,473 S 12/2018 Jacobsen
D835,950 S 12/2018 Jacobsen
D836,999 S 1/2019 Jacobsen
D837,000 S 1/2019 Jacobsen
D837,001 S 1/2019 Jacobsen
D838,971 S 1/2019 Deanda
D844,324 S 4/2019 Hoppe et al.
D845,613 S 4/2019 Decker
D856,662 S 8/2019 Breines
D862,528 S 10/2019 Sullivan et al.
10,477,991 B1 11/2019 Fragala
D873,090 S 1/2020 Jacobsen
D874,129 S 2/2020 Goldstein
D875,385 S 2/2020 Carter et al.
D880,253 S 4/2020 Jacobsen
D881,655 S 4/2020 Jacobsen
D887,135 S 6/2020 Tan
D887,136 S * 6/2020 Tan A45C 7/0063
D3/260
D893,183 S * 8/2020 Eisenhardt F25D 3/08
D3/283
D896,504 S 9/2020 Li
D896,505 S 9/2020 Yuan

(56)

References Cited

OTHER PUBLICATIONS

U.S. PATENT DOCUMENTS

D896,514 S * 9/2020 Tan A45C 7/0022
D3/260
D898,349 S * 10/2020 He D3/217
D901,882 S 11/2020 Fan
10,881,178 B2 * 1/2021 Johnson A45C 7/0086
D915,762 S 4/2021 Li
D919,287 S 5/2021 He
D920,744 S * 6/2021 Eisenhardt D7/607
D922,061 S 6/2021 Tan
D922,062 S 6/2021 Shi
D927,174 S 8/2021 Dai
D927,261 S * 8/2021 Rong D7/607
D931,600 S 9/2021 Huang
2004/0149600 A1 8/2004 Wolter et al.
2005/0121275 A1 6/2005 Platte, III
2005/0279124 A1 * 12/2005 Maldonado F25D 3/08
62/457.7
2007/0011939 A1 1/2007 Sakai
2007/0237432 A1 10/2007 Mogil
2008/0029666 A1 2/2008 Hurt
2008/0289925 A1 11/2008 Sapyta
2012/0043228 A1 2/2012 Ezzo et al.
2013/0043293 A1 2/2013 Connell
2014/0132131 A1 5/2014 Thomas
2014/0290025 A1 10/2014 Custer
2016/0205913 A1 7/2016 Aston et al.
2016/0244239 A1 8/2016 Nash
2016/0374440 A1 * 12/2016 Lundy A45C 13/36
190/111
2018/0220759 A1 8/2018 Johnson
2021/0007451 A1 * 1/2021 Tan A45F 3/047
2021/0007452 A1 * 1/2021 Tan A45C 3/001
2021/0068510 A1 * 3/2021 Johnson A45C 5/06
2021/0212442 A1 7/2021 Webb

FOREIGN PATENT DOCUMENTS

CN 201360487 12/2009
CN 102972367 A 3/2013
CN 205357836 U 7/2016
EP 0071274 A2 2/1983

KastKing Fishing Tackle Bags, first available Jun. 27, 2018, amazon.com [online], [site visited Nov. 14, 2018], Available from internet URL: https://www.amazon.com/dp/B07F2HV28F/ref=sspa_dk_detail_6?pd_rd_i=B07XRFSFPN&pd_rd_w=a6HTH&pf_rd_p=7d37a48b-2b1a-4373-8c1a-bd%E2%80%A6 (Year: 2018).*

Flambeau 5007 Pro-Angler Tackle Bag (Grey/Red), first available Apr. 23, 2020, amazon.com [online], [site visited Nov. 24, 2020], Available from internet URL: https://www.amazon.com/Flambeau-5007-Pro-Angler-Tackle-Grey/dp/B089458PL7/ref=sr_1_22?dchild=1&gclid=EAlalQobChM10uut0b6b7QIVCDiGC%E2%80%A6 (Year: 2020).*

Ozark Trail Outdoor Equipment “Mesh Bottom Tackle Bag”, 6 pgs. Amazon, “Flambeau 4007 Heritage Tackle Bag, Fir Green/Pewter/Rust, FL40001”, First on sale Apr. 23, 2020. (<https://www.amazon.com/Fiambeau-Heritage-Bait-Binder/dp/B089469PPT>) (Year: 2020). Amazon, “Piscifun Fishing Tackle Backpack with 4 Trays Large Waterproof Tackle Bag Storage . . .”, (<https://www.amazon.com/Piscifun-Backpack-Capacity-Waterproof-Protective/dp/B07CGJDTNGI>) (Year: 2018), 13 pgs.

Evolution Outdoor Drift Series Topless Horizontal Tackle Bag, first available Feb. 24, 2021, amazon.com [online], [site visited Mar. 28, 2021], Available at internet URL: <https://www.amazon.com/Evolution-Outdoor-Topless-Horizontal-Tackle/dp/B08WRNXXBXV?th=1&psc=1> (Year: 2021).

Evolution Outdoor Drift Series Topless Vertical Tackle Bag, first available Mar. 2, 2021, amazon.com [online], [site visited Mar. 28, 2021], Available at internet URL: <https://www.amazon.com/Evolution-Outdoor-Topless-Vertical-Tackle/dp/B08WRVCF31?th=1> (Year: 2021).

KastKing Fishing Tackle Bag, first available Jun. 27, 2018, amazon.com [online], [site visited Jun. 28, 2021], Available at internet URL: https://www.amazon.com/KastKing-Saltwater-Waterproof-Medium-Hoss-15x11x10-25/dp/B07XRFSFPN/ref=pd_lpo_3?pd_rd_i=B07F2GH9VS&psc=1 (Year: 2018).

Plano Guide Series Tackle Bag, first available Feb. 10, 2020, amazon.com [online], [site visited Jun. 28, 21], Available at internet URL: https://www.amazon.com/Piano-Premium-Storage-included-PLABG371/dp/B084NQLFMH/ref=pd_lpo_2?pd_rd_i=B084NQLFMH&psc=1 (Year: 2020).

International Search Report and Written Opinion dated May 19, 2017 of PCT Application No. PCT/US2016/047971, 14 pages.

* cited by examiner

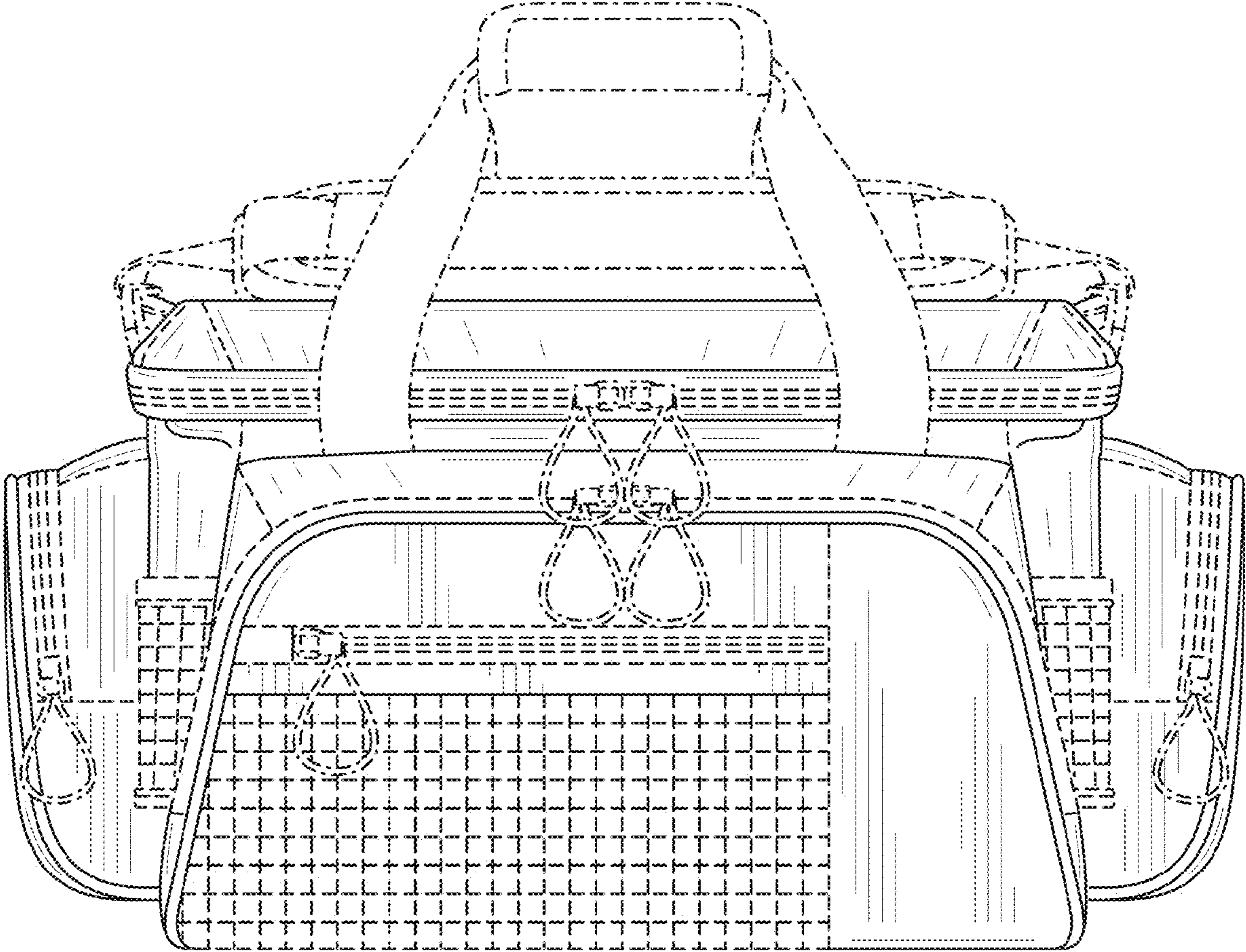


FIG. 1

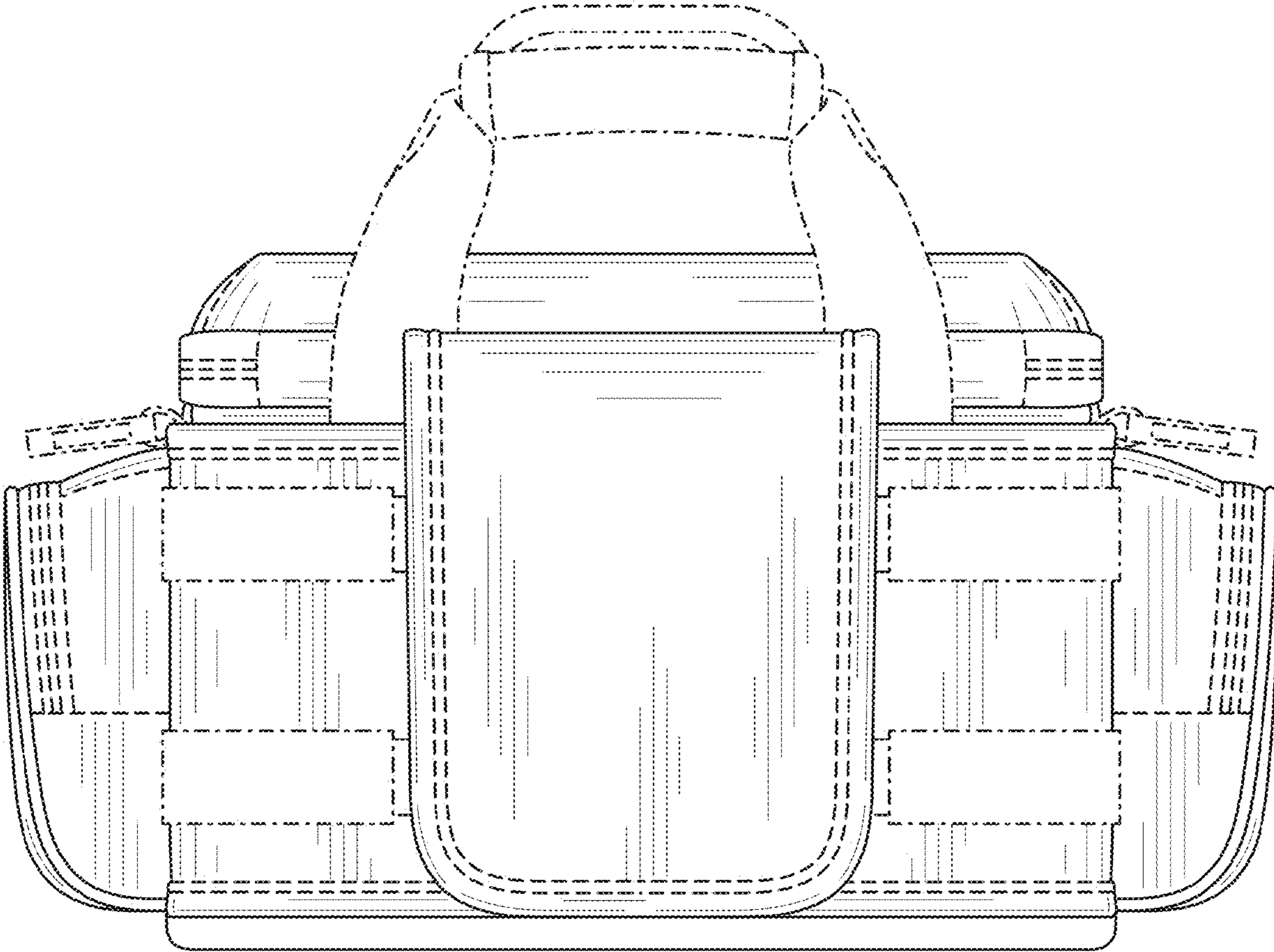


FIG. 2

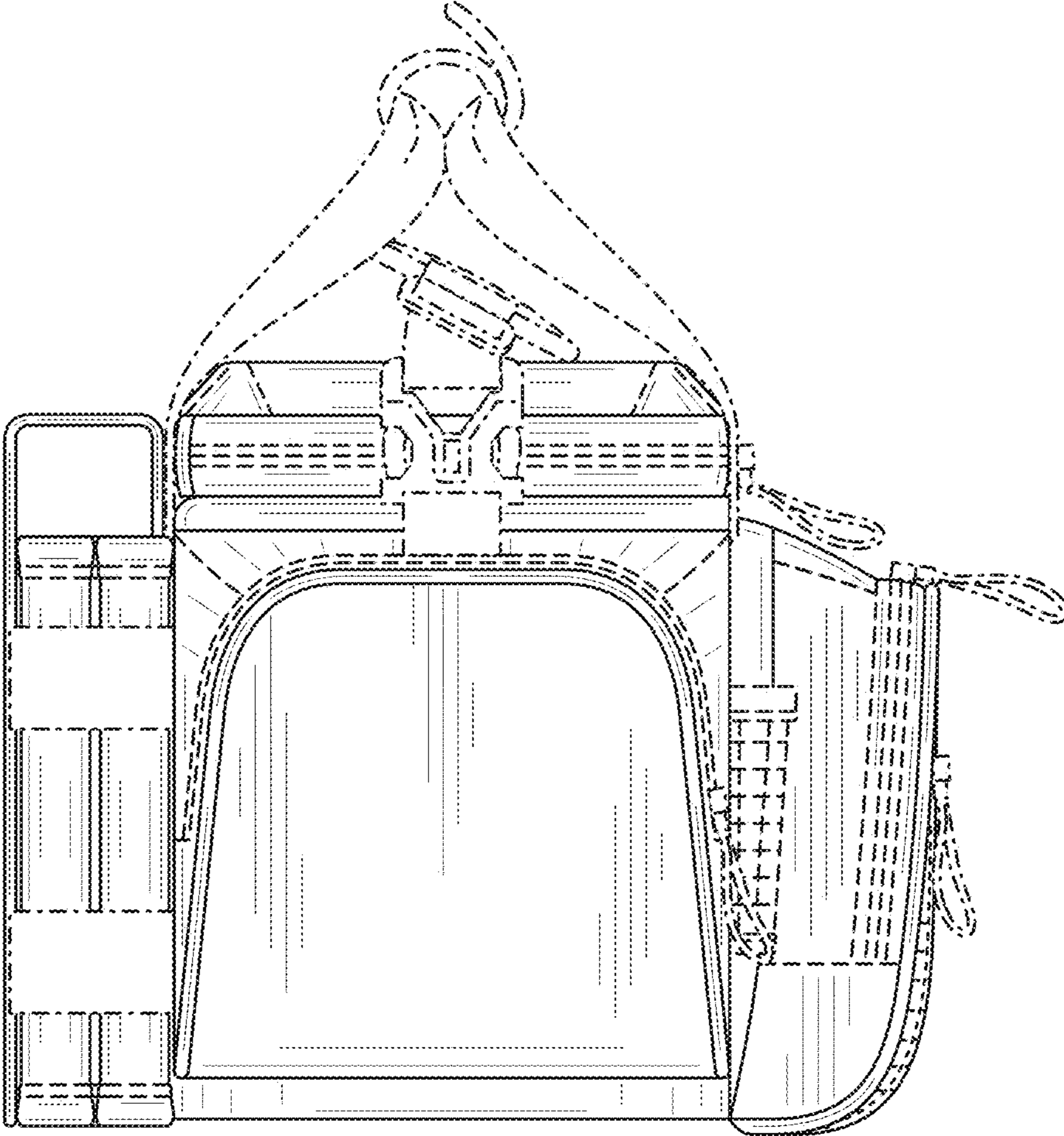


FIG. 3

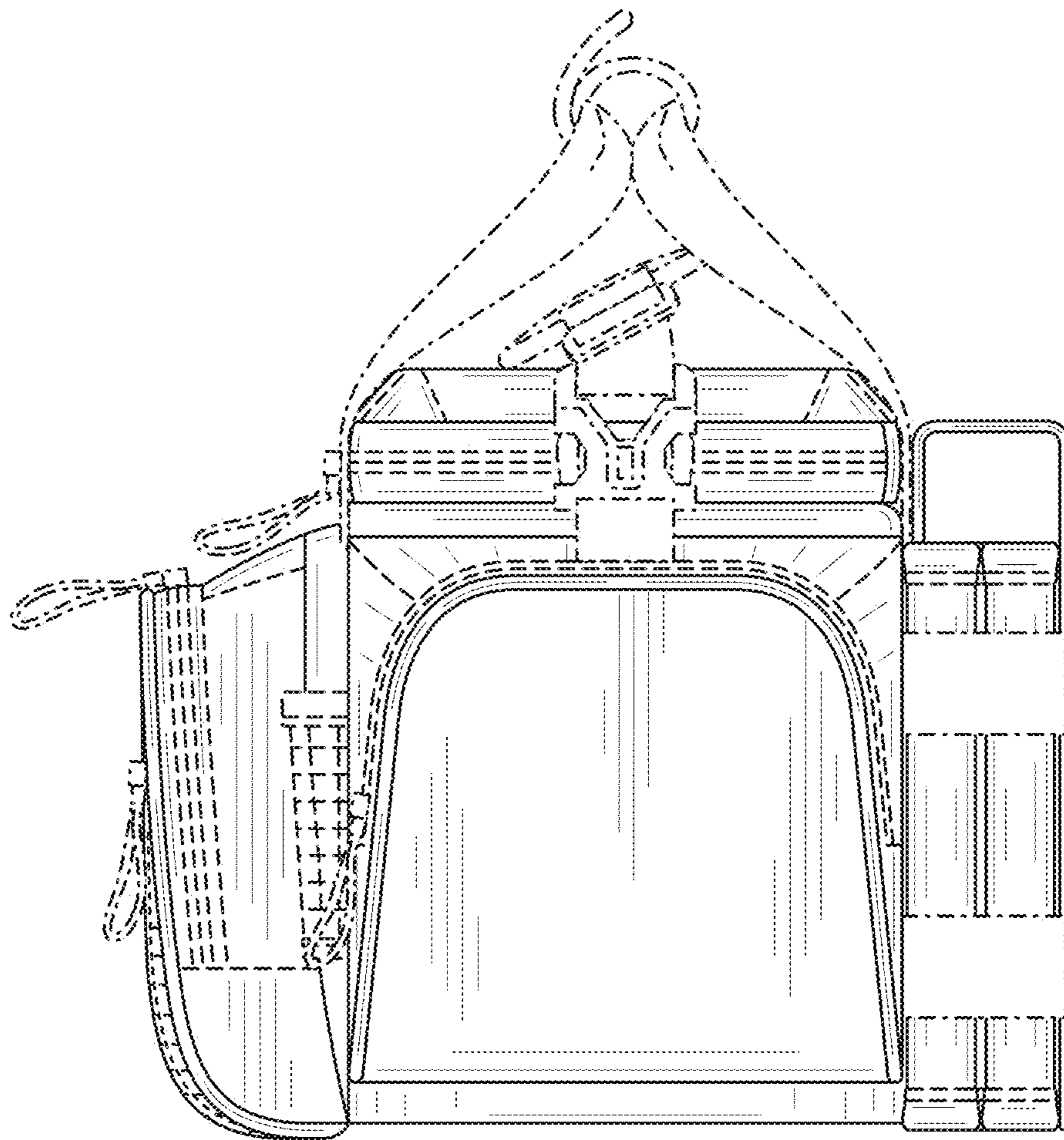


FIG. 4

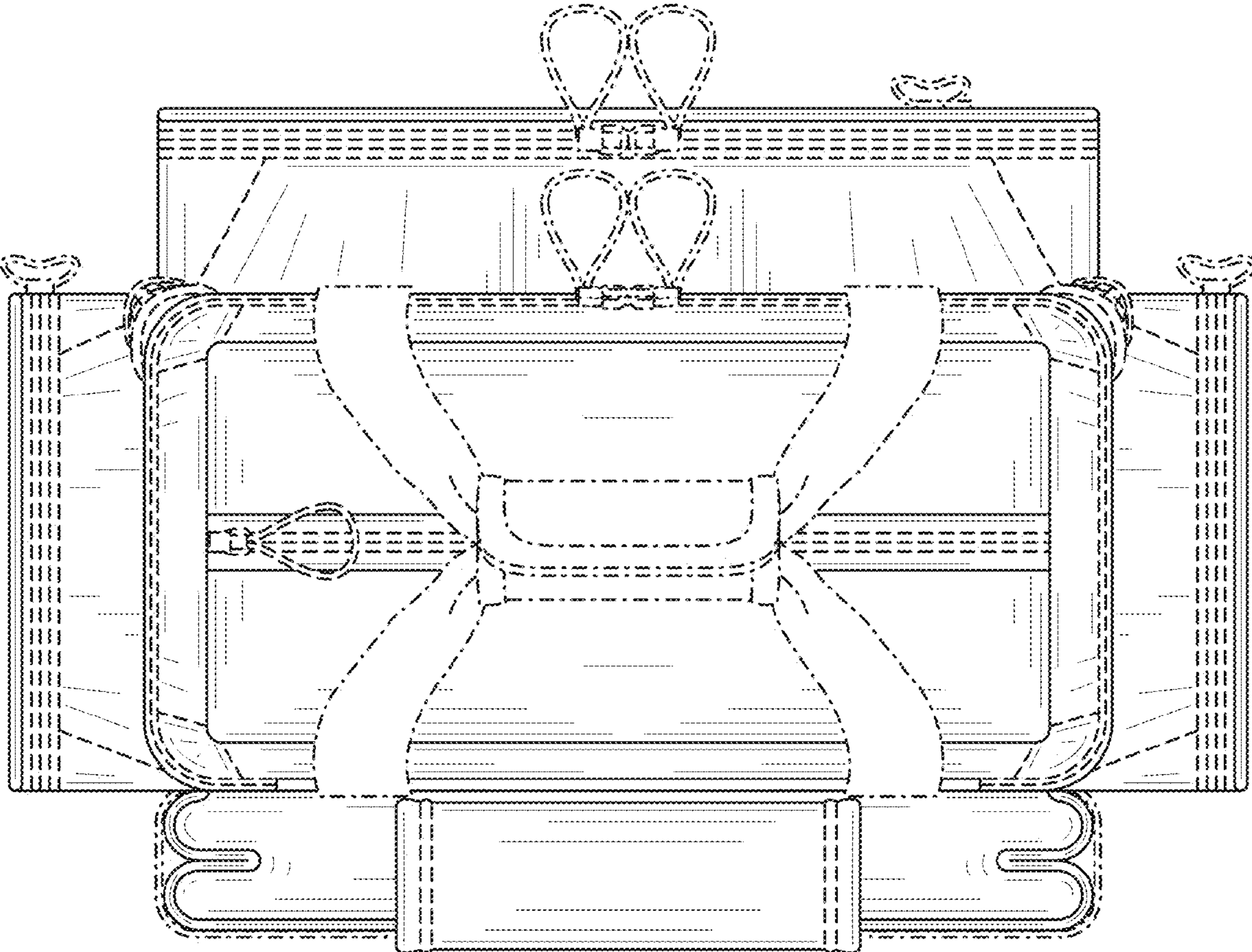


FIG. 5

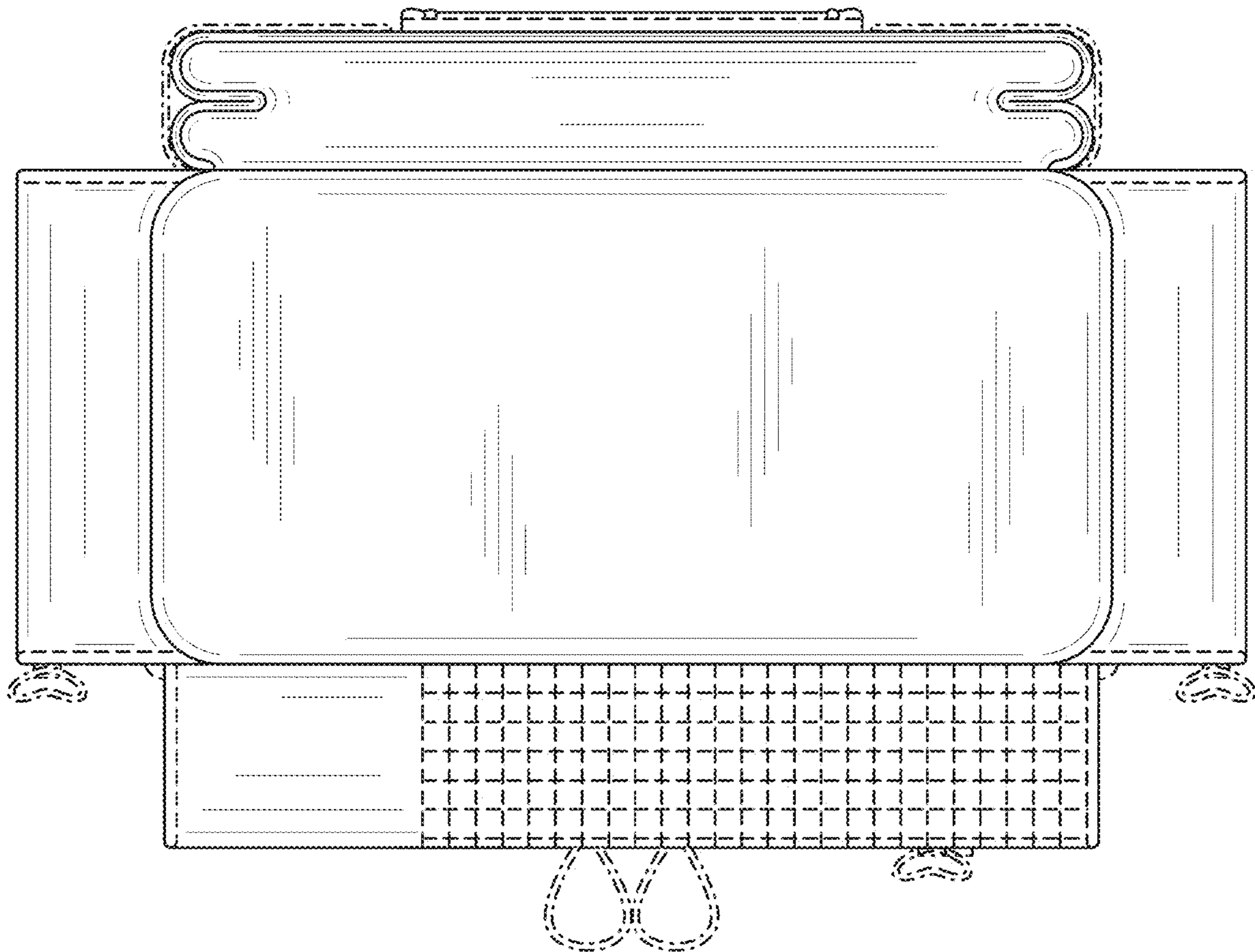


FIG. 6

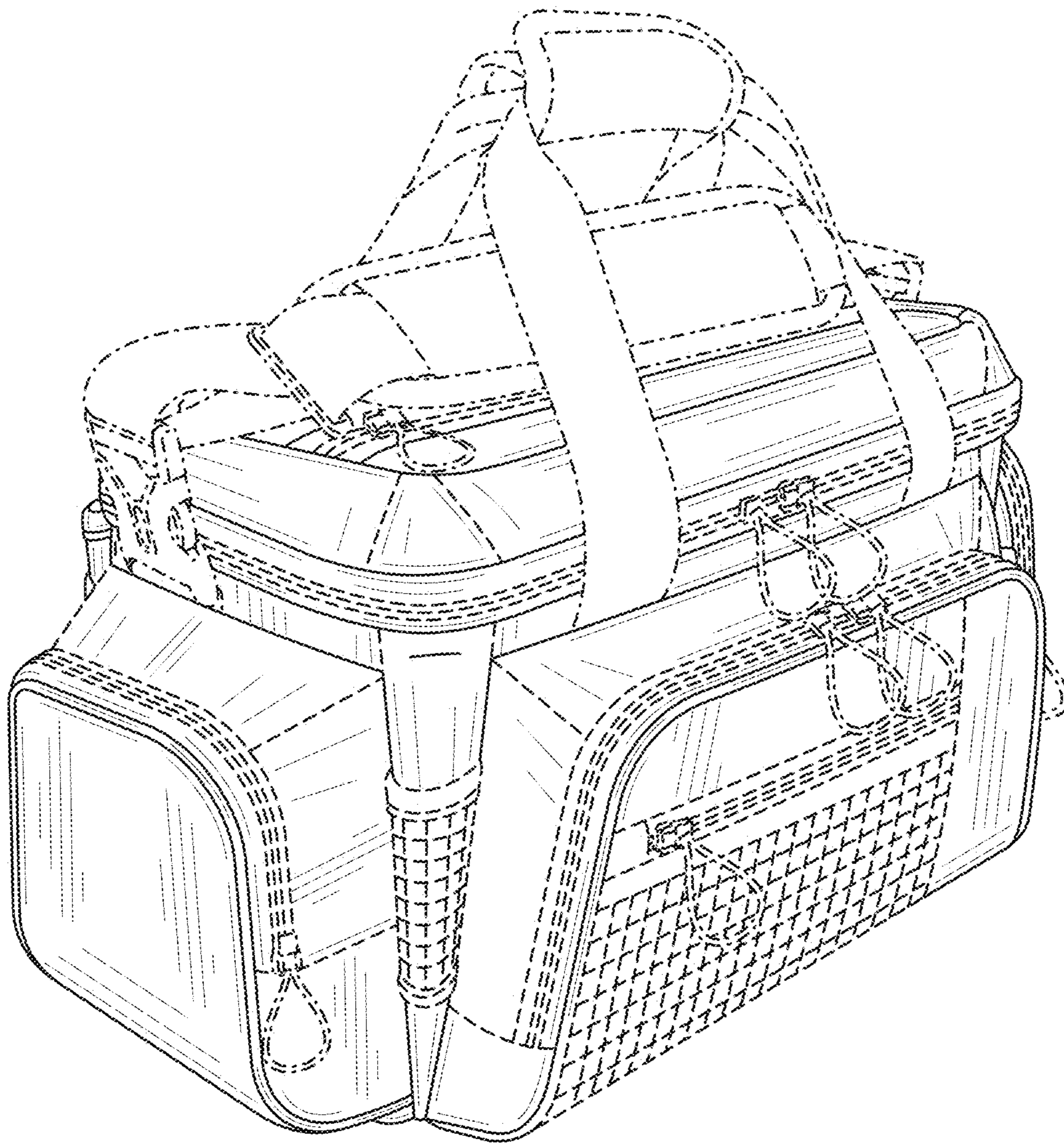


FIG. 7

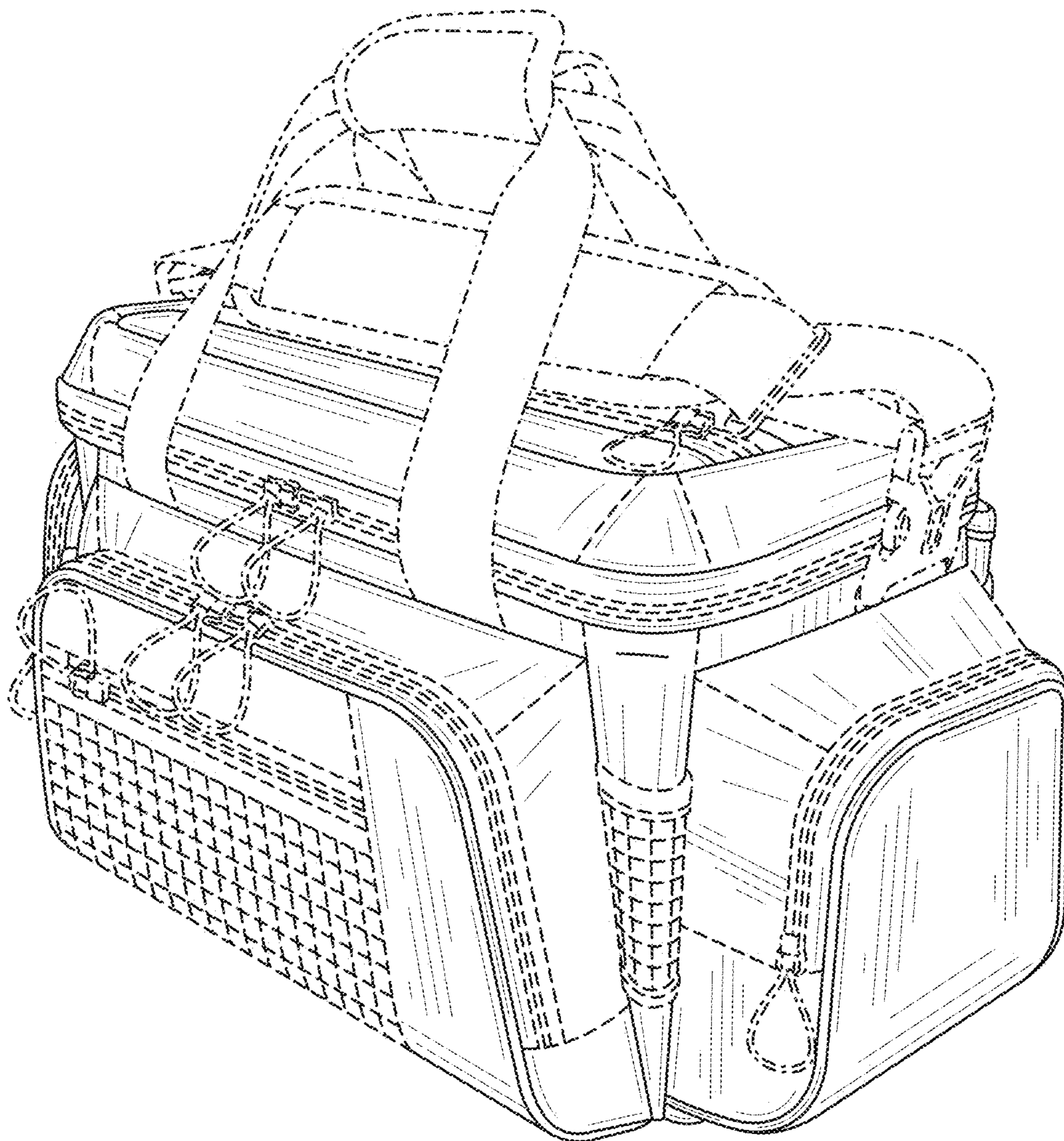


FIG. 8

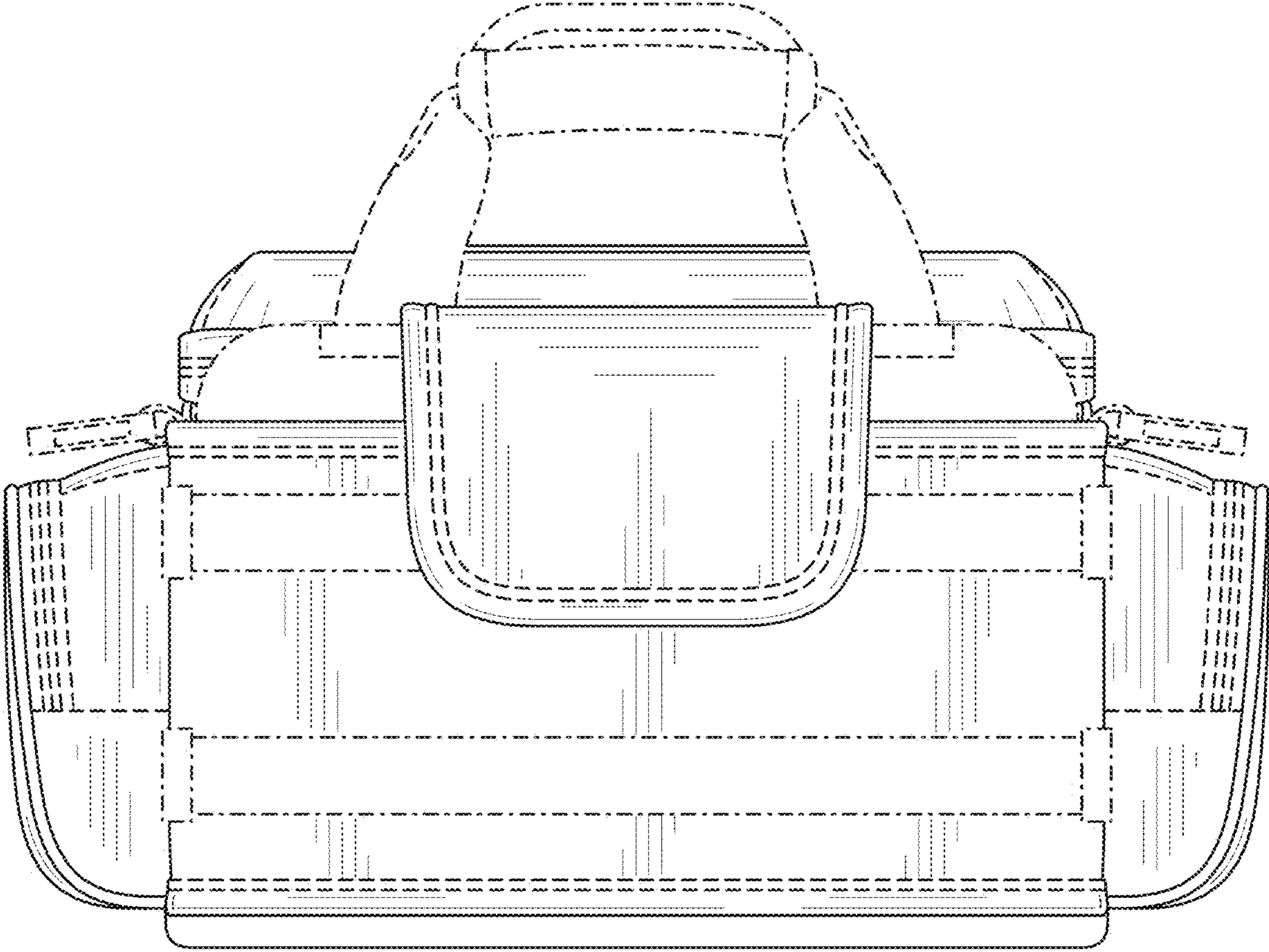


FIG. 9

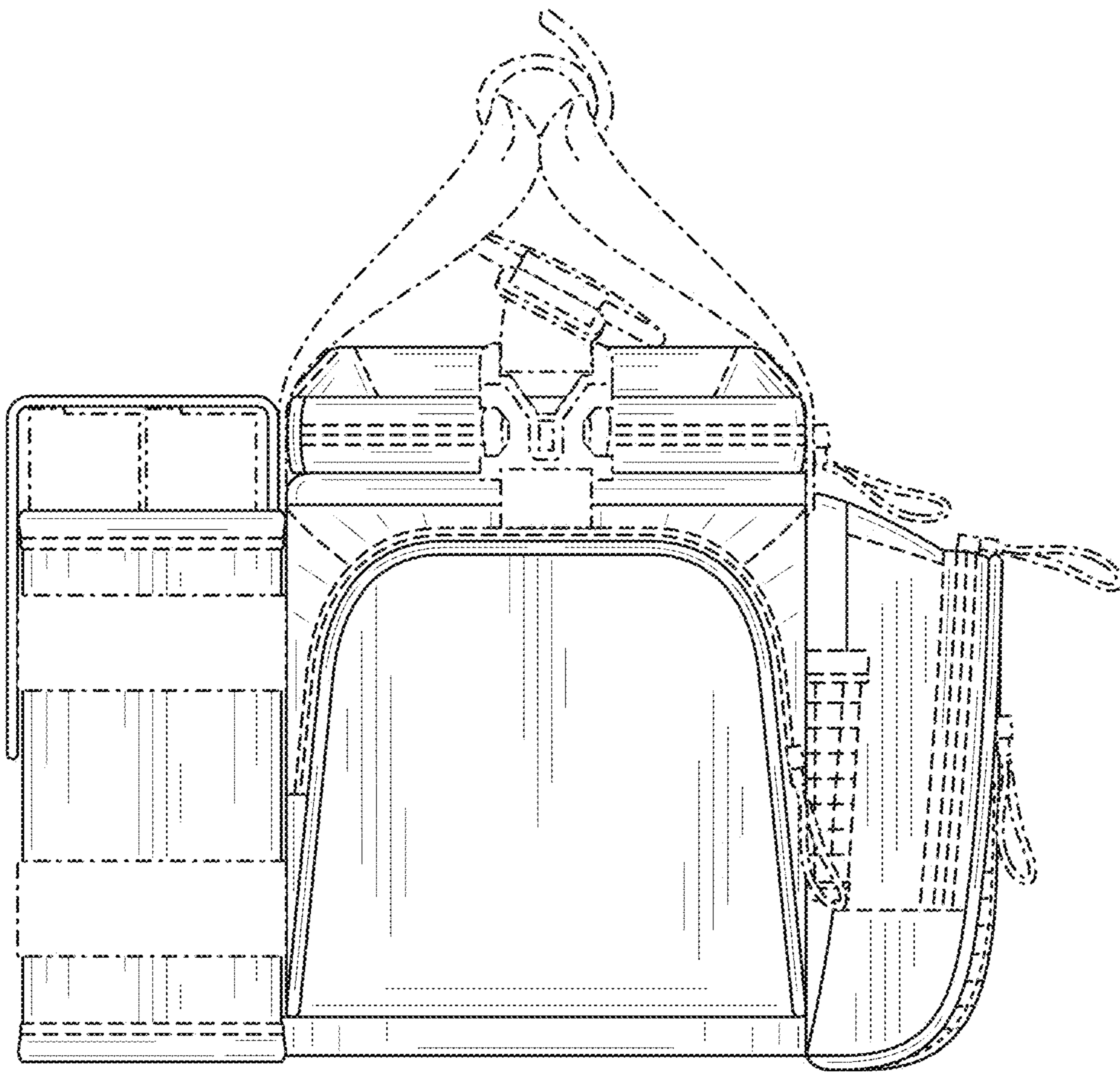


FIG. 10

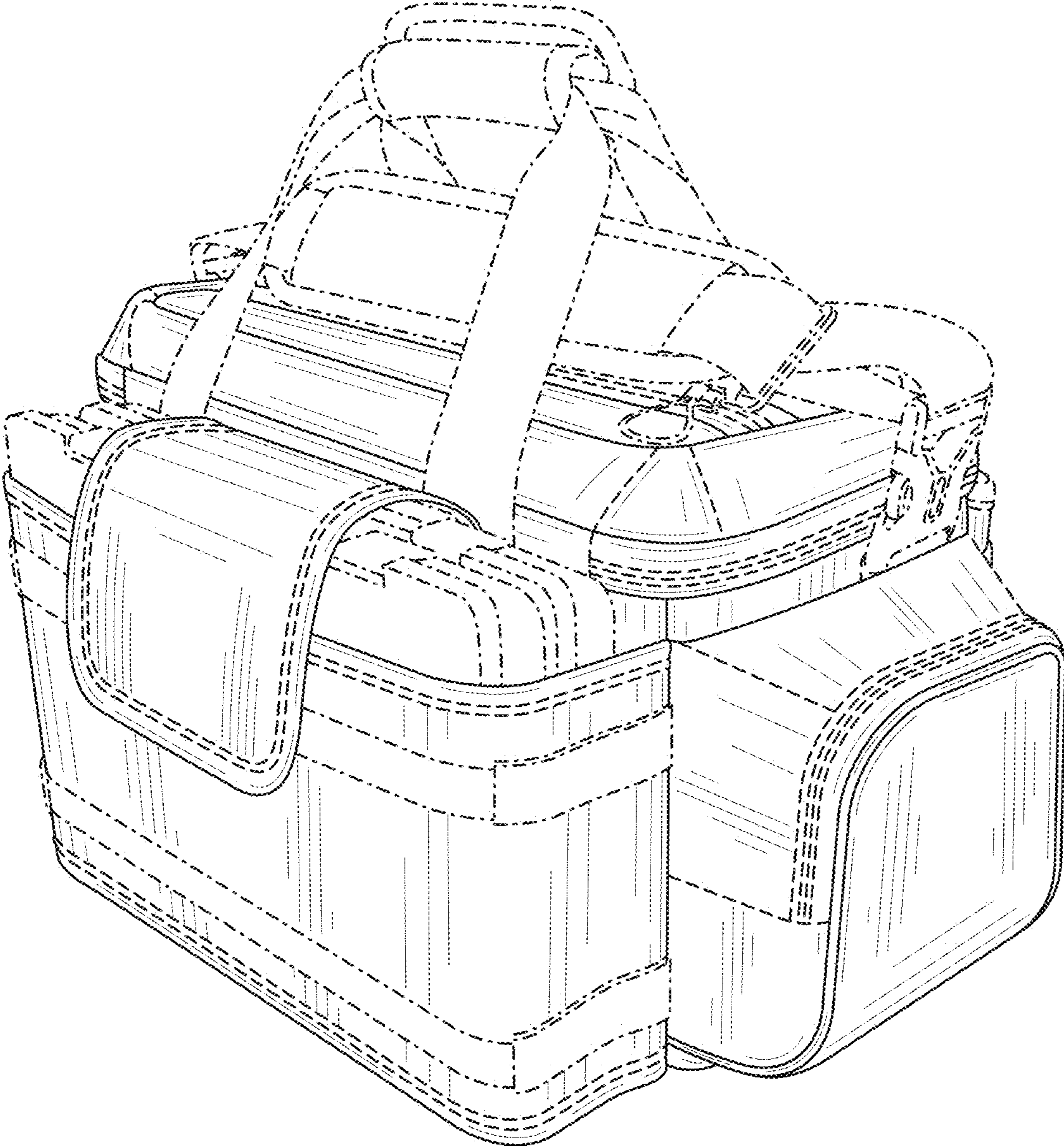


FIG. 11