



US00D938720S

(12) **United States Design Patent** (10) **Patent No.:** **US D938,720 S**  
**Burgess** (45) **Date of Patent:** **\*\* Dec. 21, 2021**

(54) **GOLF BAG**

(71) Applicant: **Acushnet Company**, Fairhaven, MA (US)

(72) Inventor: **Ian Burgess**, Tiverton, RI (US)

(73) Assignee: **Acushnet Company**, Fairhaven, MA (US)

(\*\*) Term: **15 Years**

(21) Appl. No.: **29/708,702**

(22) Filed: **Oct. 9, 2019**

(51) **LOC (13) Cl.** ..... **03-01**

(52) **U.S. Cl.**  
USPC ..... **D3/255**

(58) **Field of Classification Search**  
USPC ..... D3/254, 255, 259, 260, 269, 273, 276, D3/279, 281, 288-290, 315, 316, 318, D3/328, 328.1, 904; D21/789, 796  
CPC ..... B62B 2202/406; A45C 5/14; A45C 2003/007; A47F 7/00; A47F 7/0021; A63B 2055/002; A63B 2055/402; A63B  
(Continued)

(56) **References Cited**

**U.S. PATENT DOCUMENTS**

D320,887 S 10/1991 Jones  
D353,264 S 12/1994 Danezin  
(Continued)

**FOREIGN PATENT DOCUMENTS**

EM 007748215-0002 \* 8/2020

**OTHER PUBLICATIONS**

Bennington Quiet Organizer 14 Cart Bag Grey, first available May 17, 2017, amazon.com [online], [site visited Mar. 8, 2021], Avail-

able at internet URL: <https://www.amazon.com/Bennington-Quiet-Organizer-Cart-Gray/dp/B0719KDHJ4> (Year: 2017).\*

(Continued)

*Primary Examiner* — Vy N Koenig

*Assistant Examiner* — Caitlin A Laverty

(74) *Attorney, Agent, or Firm* — Kristin D. Wheeler

(57) **CLAIM**

The ornamental design for a golf bag, as shown and described.

**DESCRIPTION**

FIG. 1 is a perspective view of the golf bag showing my new design;

FIG. 2 is a front view of the golf bag, thereof;

FIG. 3 is a first side view of the golf bag, thereof;

FIG. 4 is a rear view of the golf bag, thereof;

FIG. 5 is a second side view of the golf bag, thereof;

FIG. 6 is a top plan view of the golf bag, thereof;

FIG. 7 is a bottom plan view of the golf bag, thereof;

FIG. 8 is a perspective view of a second embodiment of the golf bag showing my new design;

FIG. 9 is a front view of a second embodiment of the golf bag, thereof;

FIG. 10 is a first side view of a second embodiment of the golf bag, thereof;

FIG. 11 is a rear view of a second embodiment of the golf bag, thereof;

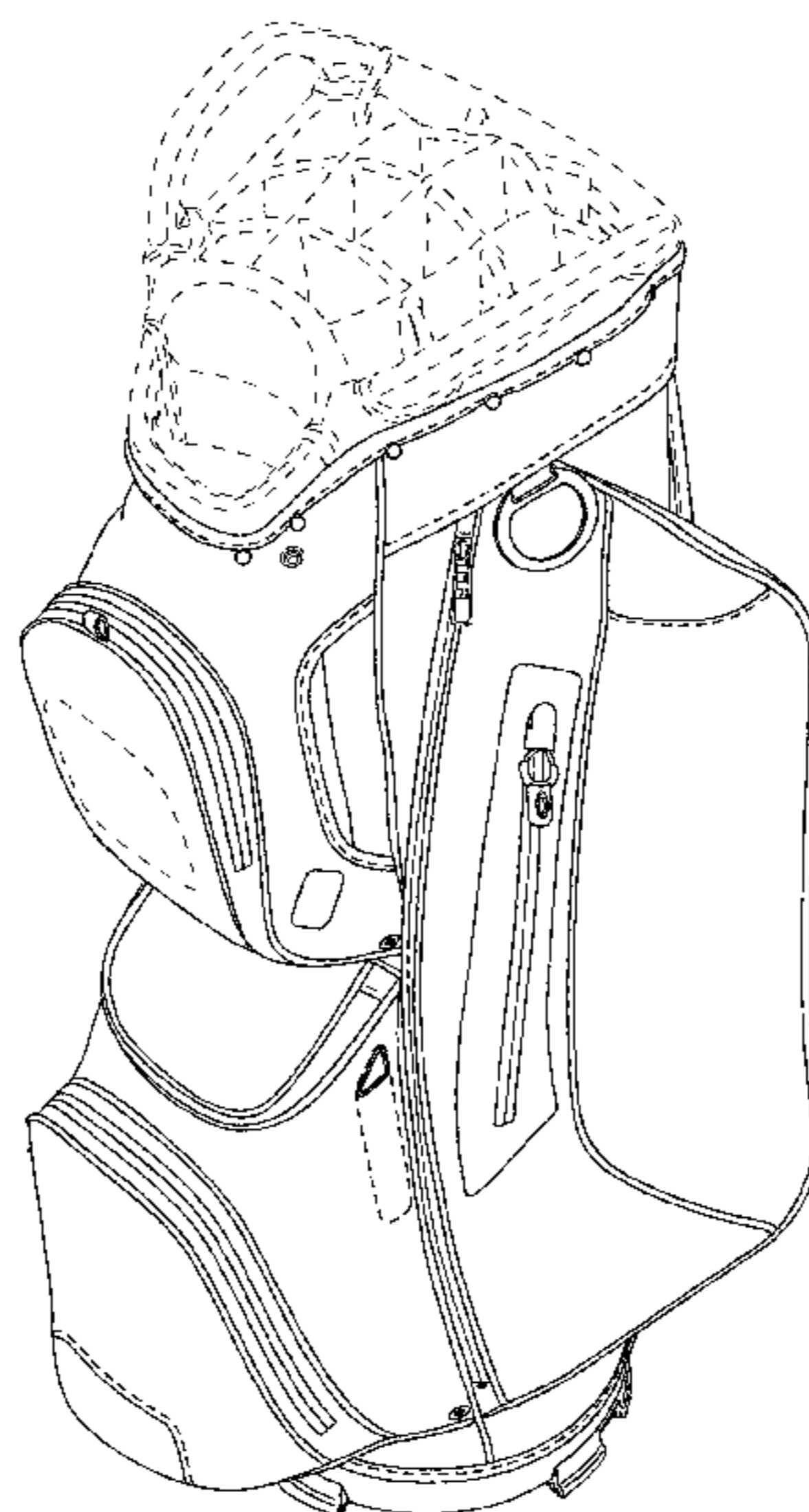
FIG. 12 is a second side view of a second embodiment of the golf bag, thereof;

FIG. 13 is a top plan view of a second embodiment of the golf bag, thereof; and,

FIG. 14 is a bottom plan view of a second embodiment of the golf bag, thereof.

In FIGS. 1-14, the thinner wider spaced broken lines showing portions of the golf bag are for purposes of illustrating environment and form no part of the claimed design. The heavier closer spaced broken lines shown on the golf bag are representative of stitching that forms part of the claimed design.

**1 Claim, 12 Drawing Sheets**



(58) **Field of Classification Search**

CPC . 2055/403; A63B 55/00; A63B 55/005; A63B 55/008; A63B 55/02; A63B 55/04; A63B 55/08; A63B 55/10; A63B 55/20; A63B 55/40; A63B 55/53; A63B 55/57; A63B 55/60; A63B 55/61; A63B 55/404; A63B 55/406; A63B 55/408

See application file for complete search history.

D872,464 S \* 1/2020 Smith ..... D3/255  
 D900,470 S \* 11/2020 Marshall ..... D3/255  
 2016/0256754 A1\* 9/2016 Martell ..... A63B 55/20  
 2018/0036608 A1\* 2/2018 Martell ..... A63B 55/40  
 2018/0214752 A1\* 8/2018 Burgess ..... A63B 55/408  
 2019/0001202 A1\* 1/2019 Martell ..... A63B 55/40  
 2020/0215400 A1\* 7/2020 Martell ..... A63B 55/57

(56) **References Cited**

U.S. PATENT DOCUMENTS

D382,397 S 8/1997 Wu  
 D468,908 S \* 1/2003 Meissner ..... D3/320  
 6,712,205 B2 3/2004 Lee  
 D493,033 S 7/2004 Howe, Jr.  
 D501,992 S \* 2/2005 Renahan ..... D3/255  
 D501,993 S \* 2/2005 Renahan ..... D3/255  
 D600,910 S 9/2009 Saconay-Duhart  
 7,905,349 B2 3/2011 Campbell  
 D646,055 S 10/2011 Dylina et al.  
 D653,032 S 1/2012 Myers  
 9,827,471 B1 \* 11/2017 Wang ..... A63B 55/57  
 D824,167 S \* 7/2018 Burgess ..... D3/255  
 D871,760 S \* 1/2020 Smith ..... D3/255

OTHER PUBLICATIONS

TaylorMade Golf 2019 Select Cart Bag, first available Jan. 10, 2019, amazon.com [online], [site visited Mar. 8, 2021], Available at internet URL: [https://www.amazon.com/TaylorMade-2019-Golf-Select-Black/dp/B07M7LC517/ref=sr\\_1\\_12?dchild=1&keywords=ping+golf+cart+bag&qid=1614792721&sr=8-12](https://www.amazon.com/TaylorMade-2019-Golf-Select-Black/dp/B07M7LC517/ref=sr_1_12?dchild=1&keywords=ping+golf+cart+bag&qid=1614792721&sr=8-12) (Year: 2019).\*

TaylorMade Cart Lite Bag, first available Dec. 17, 2019, amazon.com [online], [site visited Mar. 8, 2021], Available at internet URL: <https://www.amazon.com/TaylorMade-Cart-Lite-Bag/dp/B082V3JP5D> (Year: 2019).\*

Titleist Cart 15 StaDry, first available Feb. 12, 2020, amazon.com [online], [site visited Mar. 8, 2021], Available at internet URL: <https://www.amazon.com/Titleist-Cart-15-StaDry/dp/B084RLZ2Q4> (Year: 2020).\*

\* cited by examiner

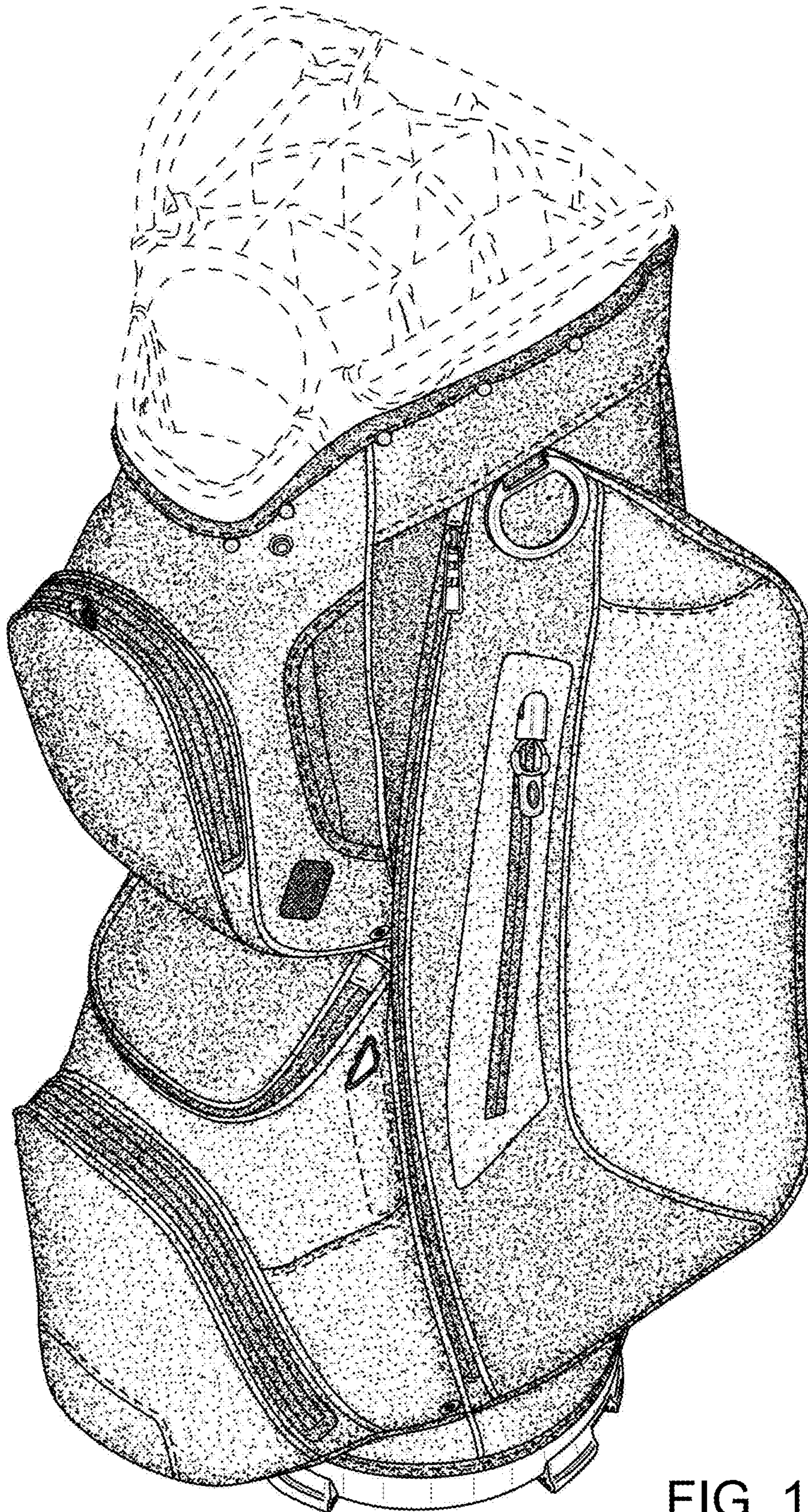


FIG. 1

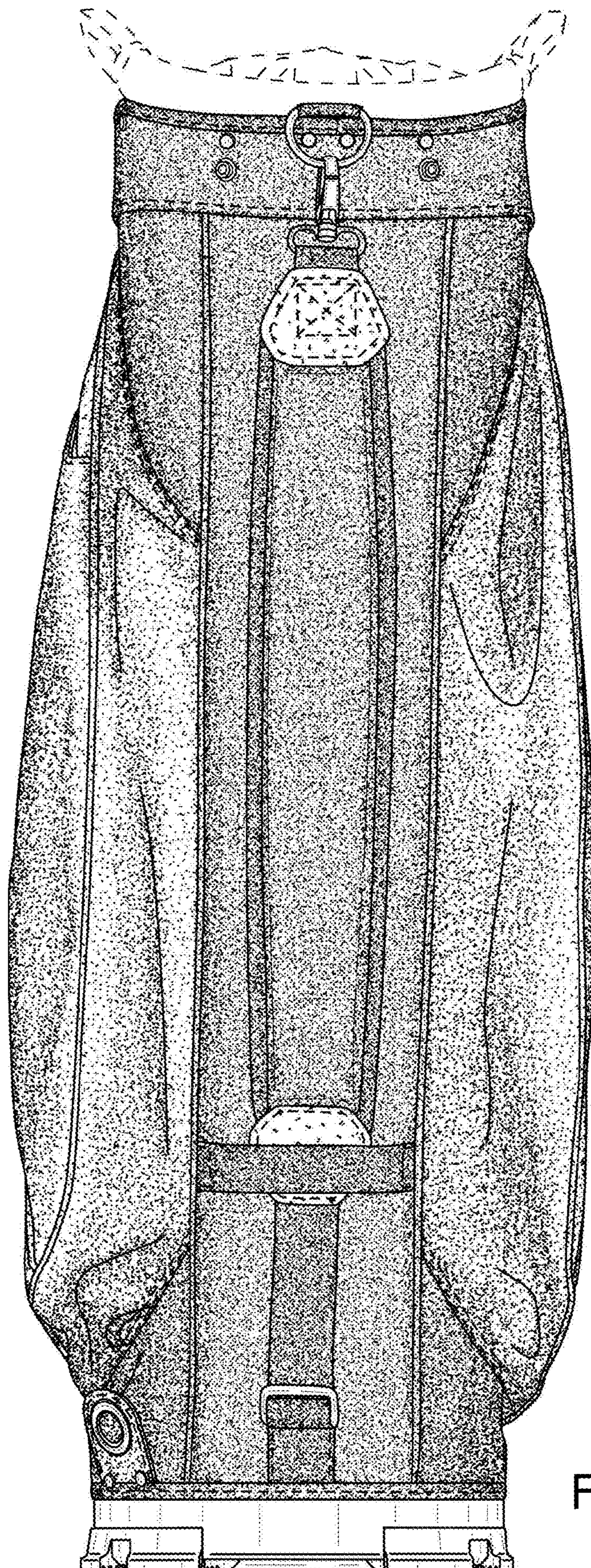


FIG. 2

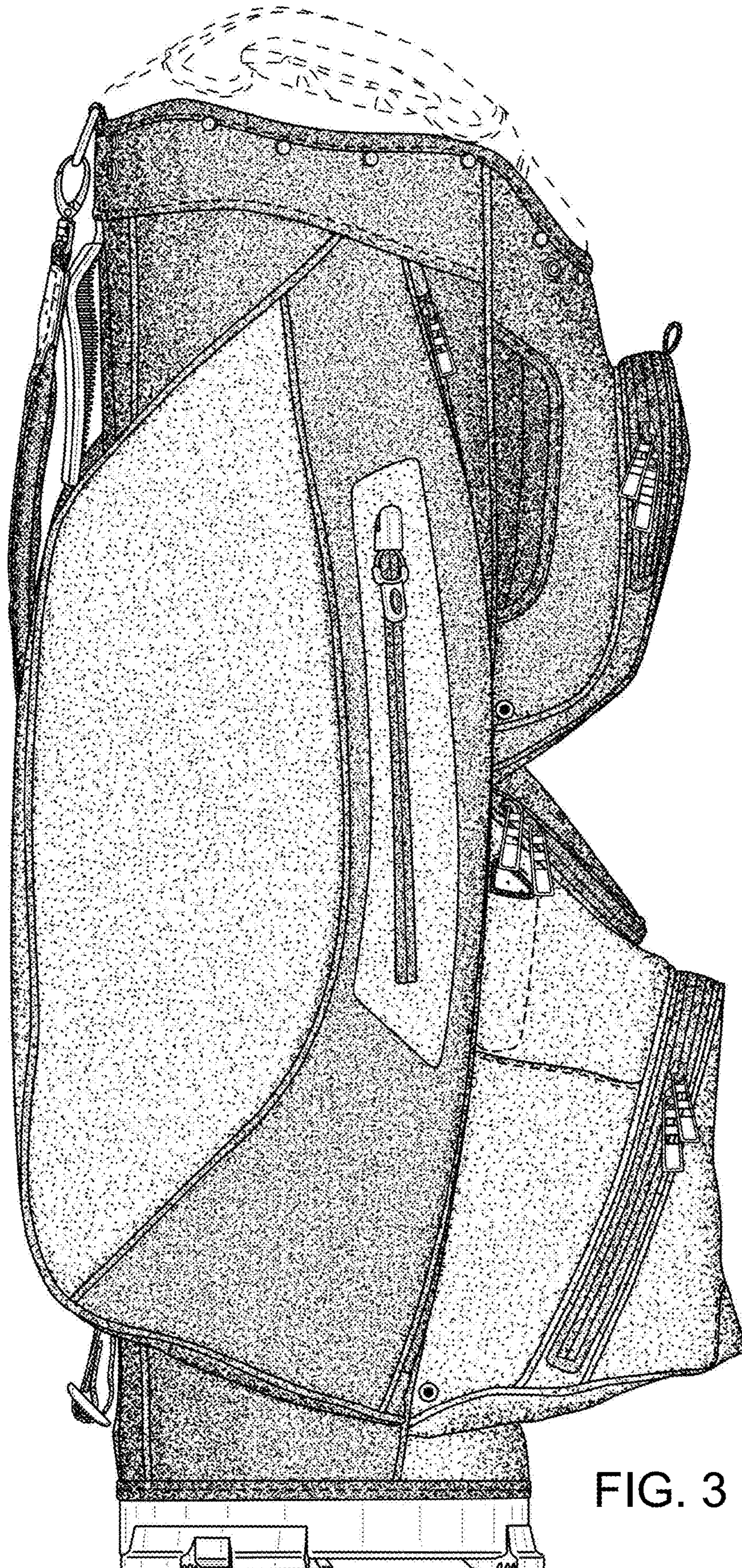


FIG. 3

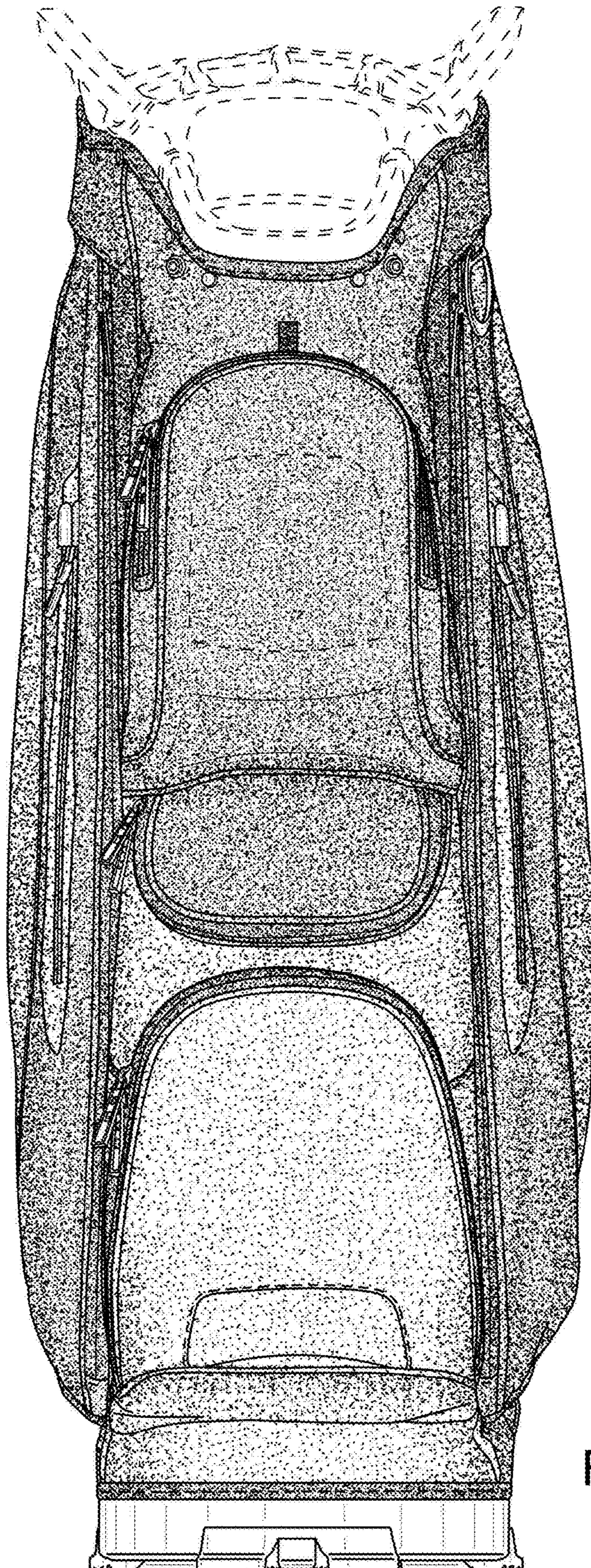


FIG. 4

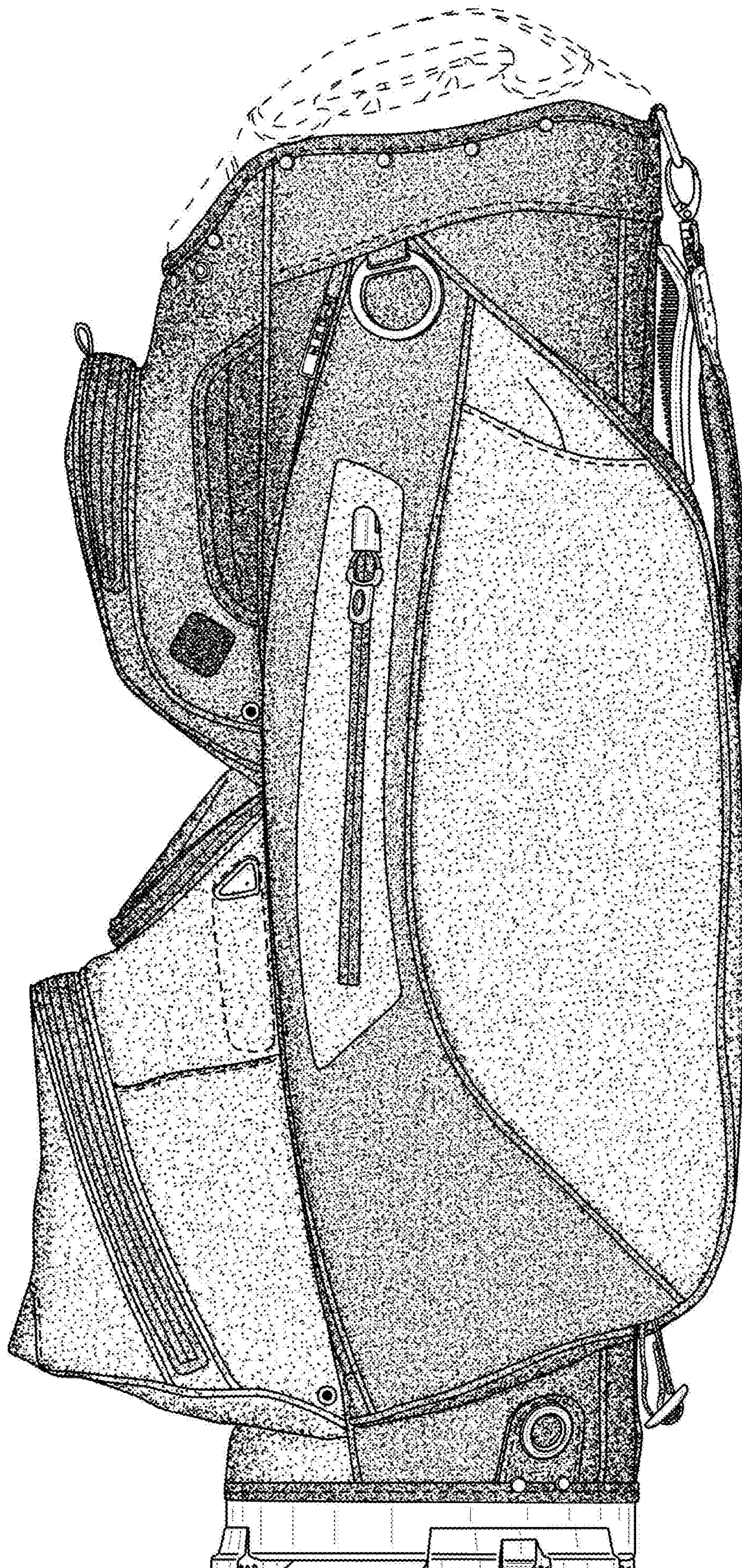


FIG. 5

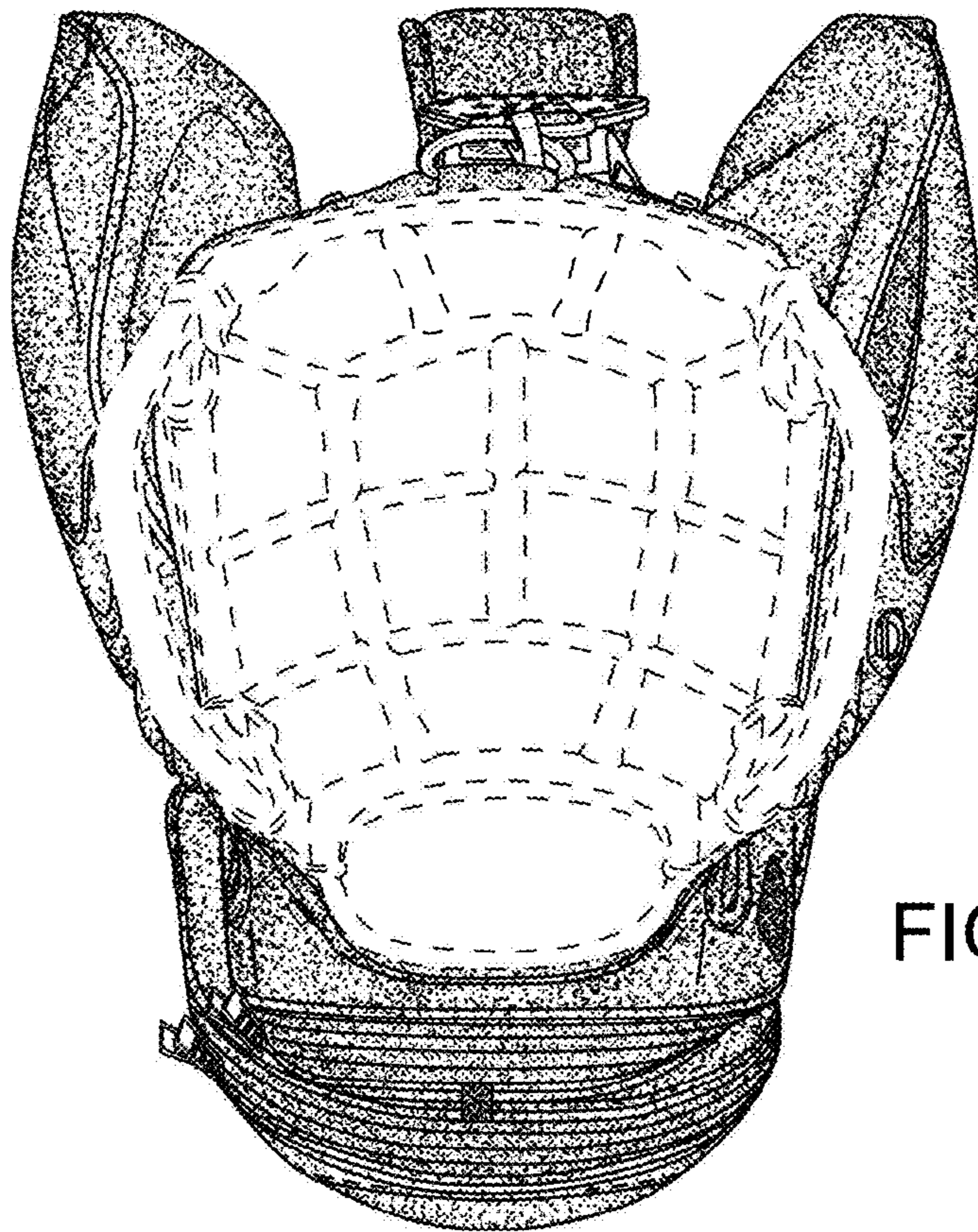


FIG. 6

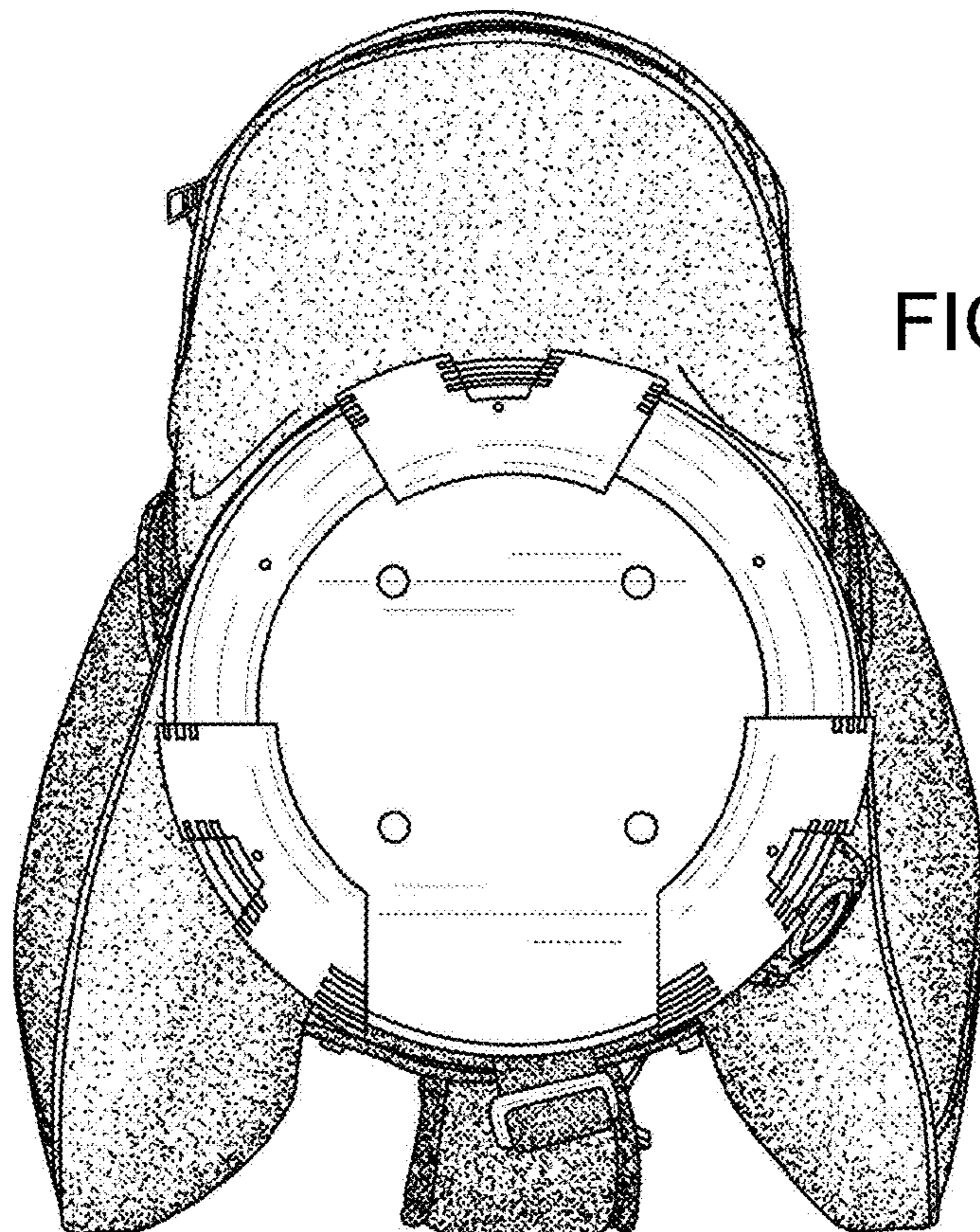


FIG. 7



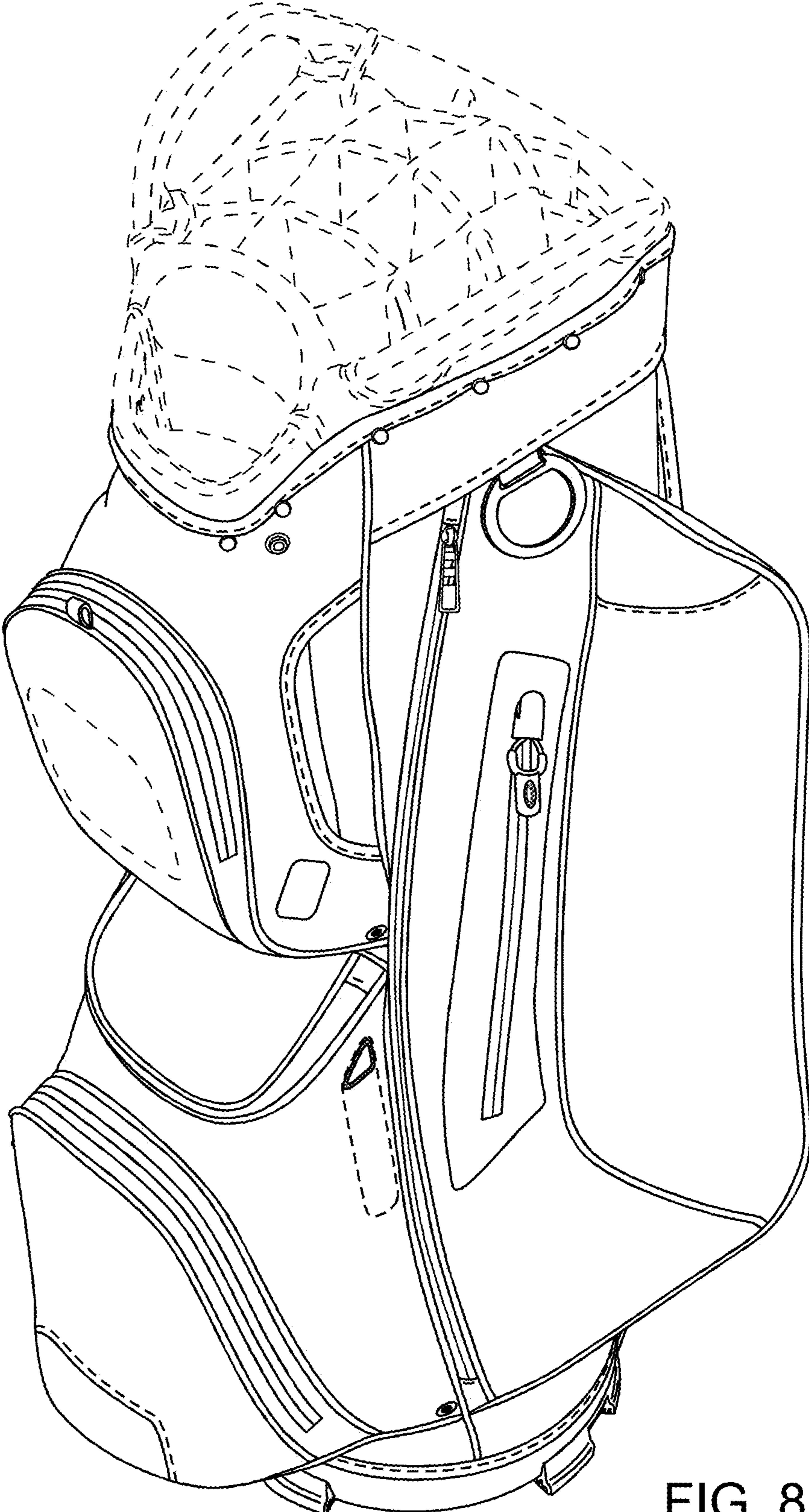


FIG. 8



FIG. 9

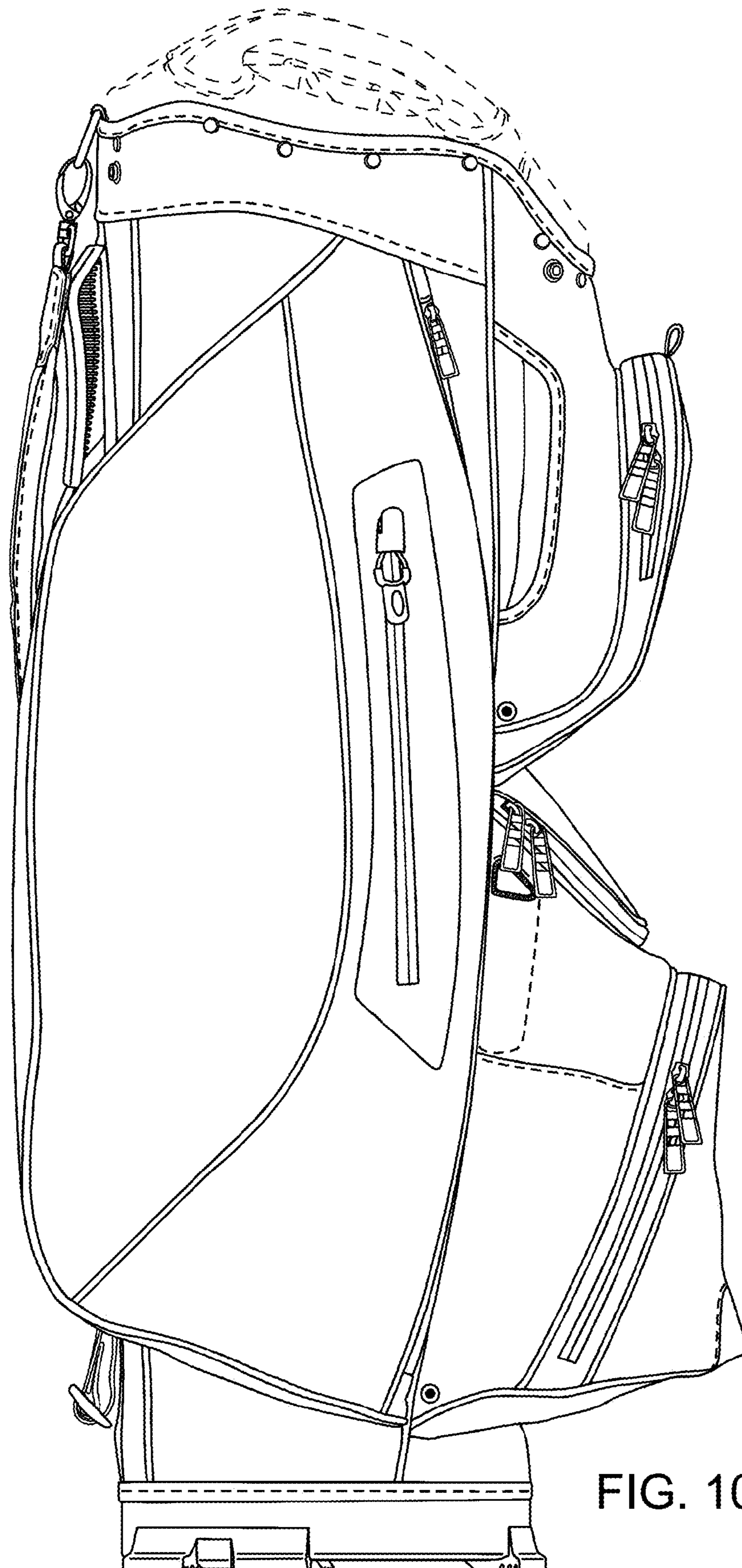


FIG. 10

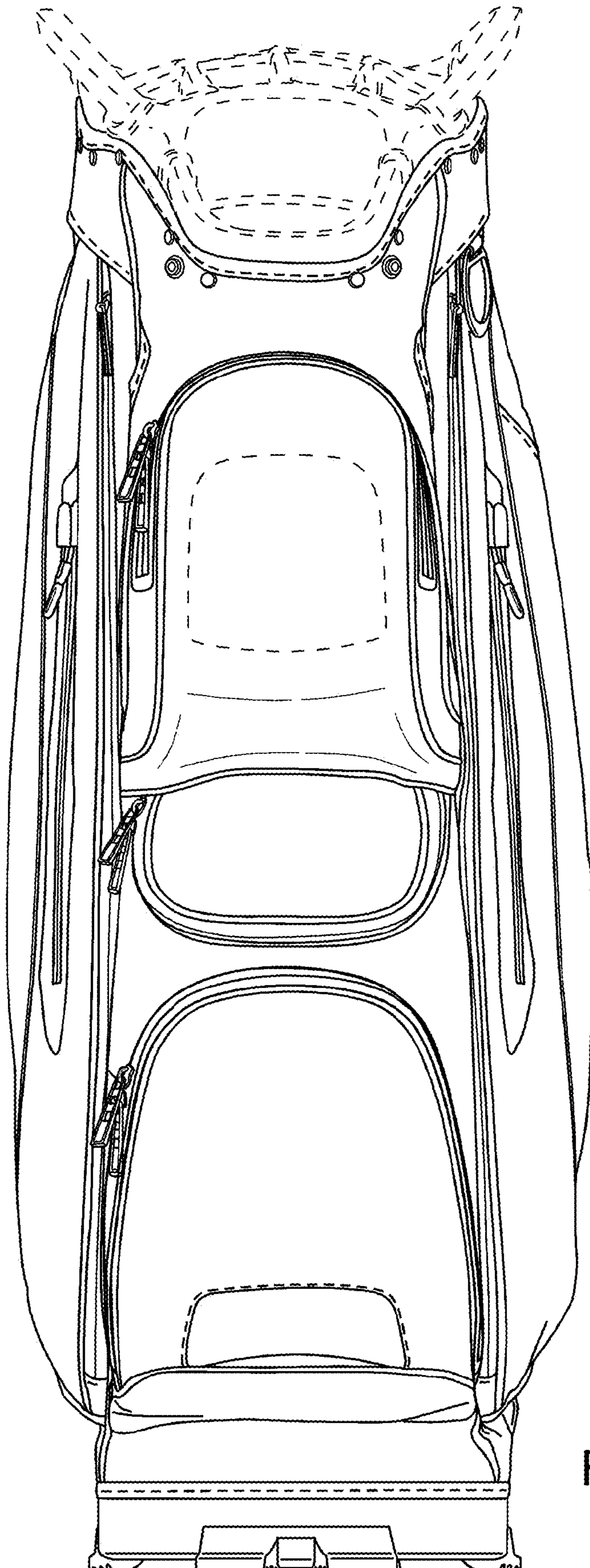


FIG. 11

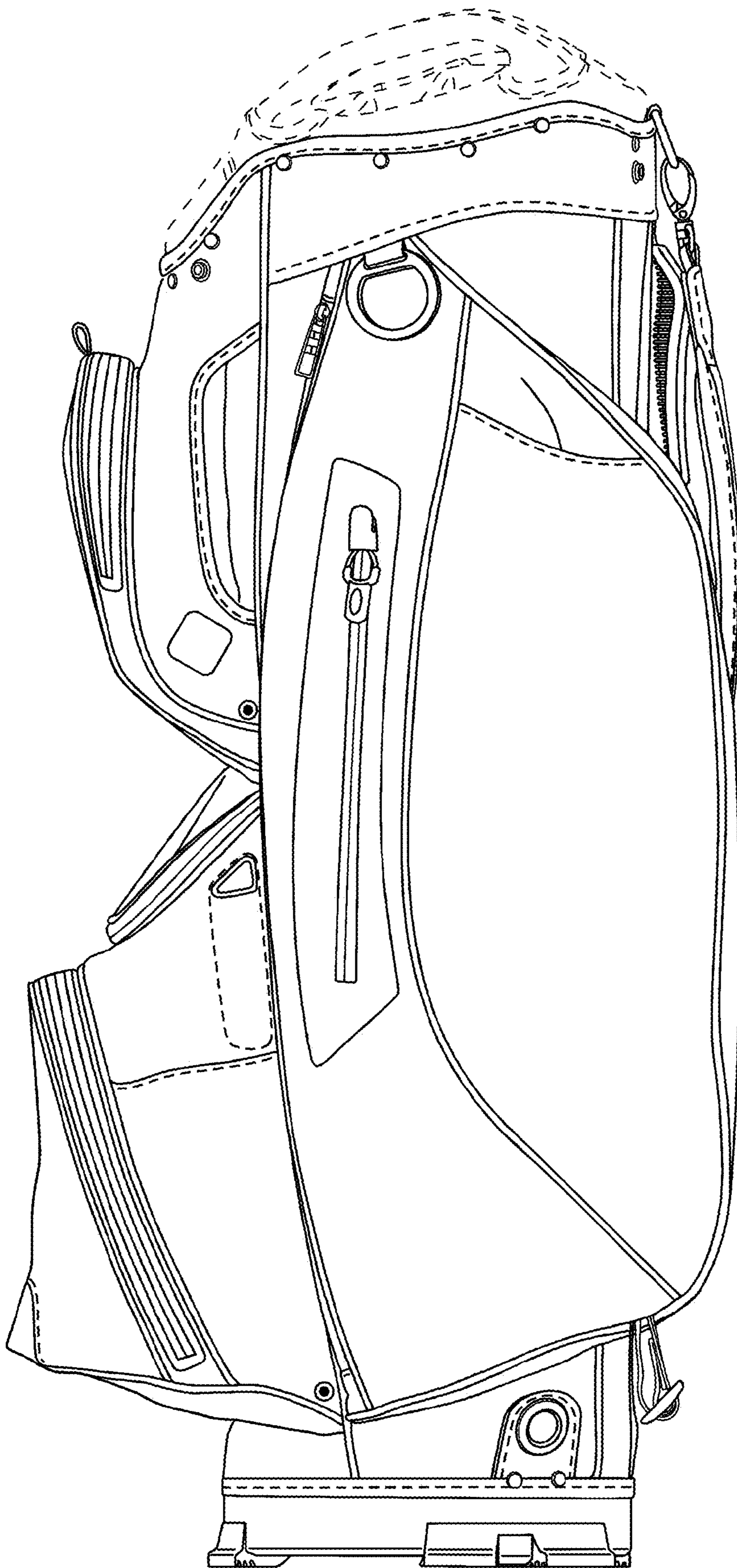


FIG. 12

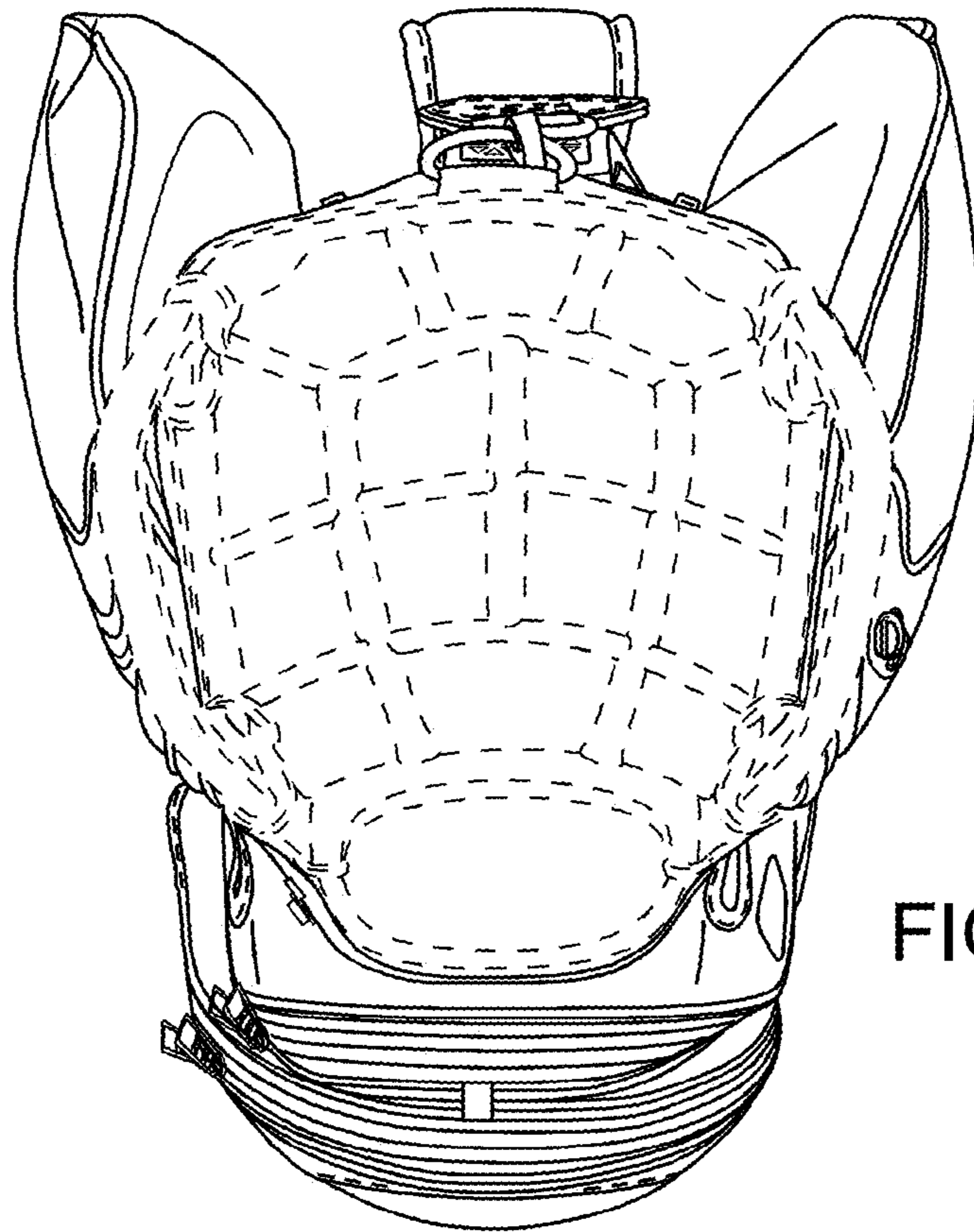


FIG. 13

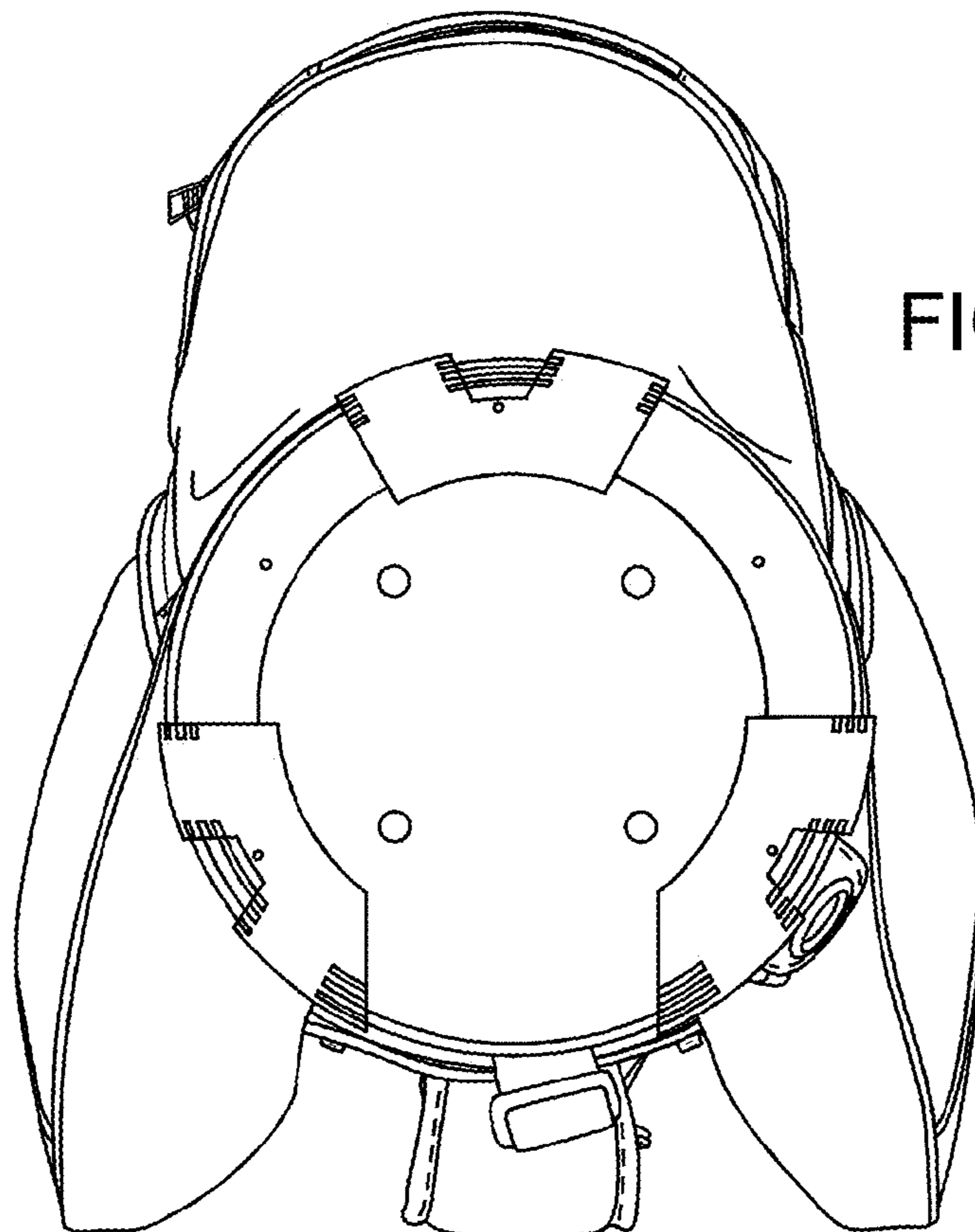


FIG. 14