



US00D938715S

(12) **United States Design Patent** (10) **Patent No.:** **US D938,715 S**  
**Long** (45) **Date of Patent:** **\*\* Dec. 21, 2021**

- (54) **PENCIL CASE**
- (71) Applicant: **Shenzhen Yusida Technology Co., Ltd.**, Guangdong (CN)
- (72) Inventor: **Tiangui Long**, Hunan (CN)
- (73) Assignee: **Shenzhen Yusida Technology Co., Ltd.**, Guangdong (CN)
- (\*\*) Term: **15 Years**
- (21) Appl. No.: **29/775,899**
- (22) Filed: **Mar. 25, 2021**
- (51) **LOC (13) Cl.** ..... **03-02**
- (52) **U.S. Cl.**  
USPC ..... **D3/206**
- (58) **Field of Classification Search**  
USPC ..... D3/206  
CPC ..... A45C 11/34; A45C 11/36  
See application file for complete search history.

D816,984 S *	5/2018	Jusic	.....	D3/205
D858,086 S *	9/2019	Case	.....	D3/205
D861,325 S *	10/2019	Chen	.....	D3/205
D883,656 S *	5/2020	Huai	.....	D3/206
D894,590 S *	9/2020	Jais	.....	D3/205
D903,300 S *	12/2020	Chen	.....	D3/206
D903,301 S *	12/2020	Chen	.....	D3/206

\* cited by examiner

*Primary Examiner* — Charles D Hanson  
(74) *Attorney, Agent, or Firm* — ScienBiziP, P.C.

(57) **CLAIM**

The ornamental design for a pencil case, as shown and described.

**DESCRIPTION**

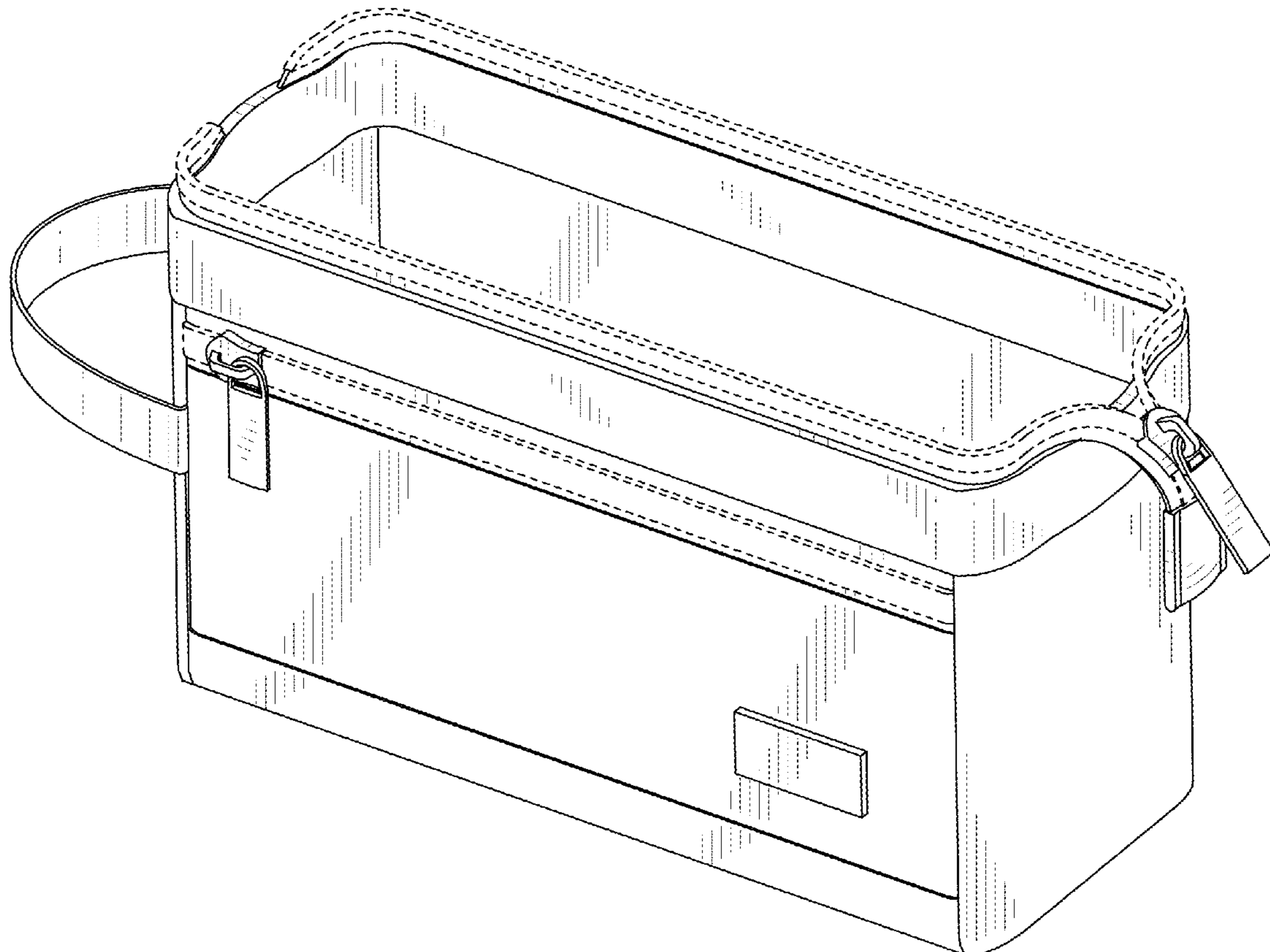
FIG. 1 is a front, right, and top perspective view of a pencil case, showing my design.  
 FIG. 2 is a front elevation view thereof.  
 FIG. 3 is a rear elevation view thereof.  
 FIG. 4 is a left side elevation view thereof.  
 FIG. 5 is a right side elevation view thereof.  
 FIG. 6 is a top plan view thereof.  
 FIG. 7 is a bottom plan view thereof; and,  
 FIG. 8 is a front, right, and top perspective view of the pencil case, wherein an opening is closed by a zipper.  
 The broken lines shown in the drawings are included for the purpose of illustrating portions of the pencil case that form no part of the claimed design.

**1 Claim, 8 Drawing Sheets**

(56) **References Cited**

**U.S. PATENT DOCUMENTS**

D457,723 S *	5/2002	Tyler	.....	D3/219
D461,046 S *	8/2002	Cohen	.....	D3/205
D463,907 S *	10/2002	Lemoine	.....	D3/205
D479,041 S *	9/2003	Fonfeder	.....	D3/206
D790,211 S *	6/2017	Constantini	.....	D3/205



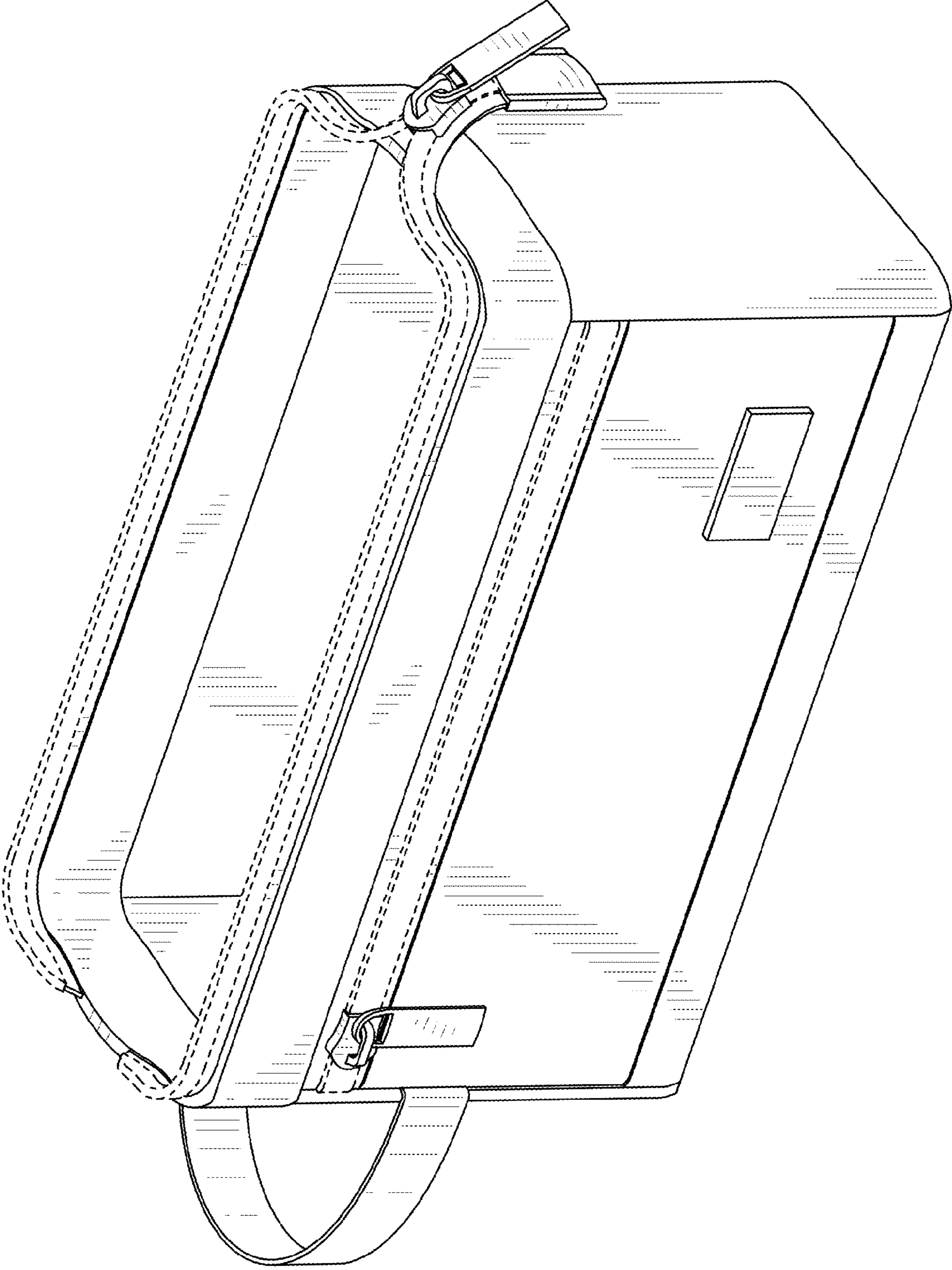


FIG.1

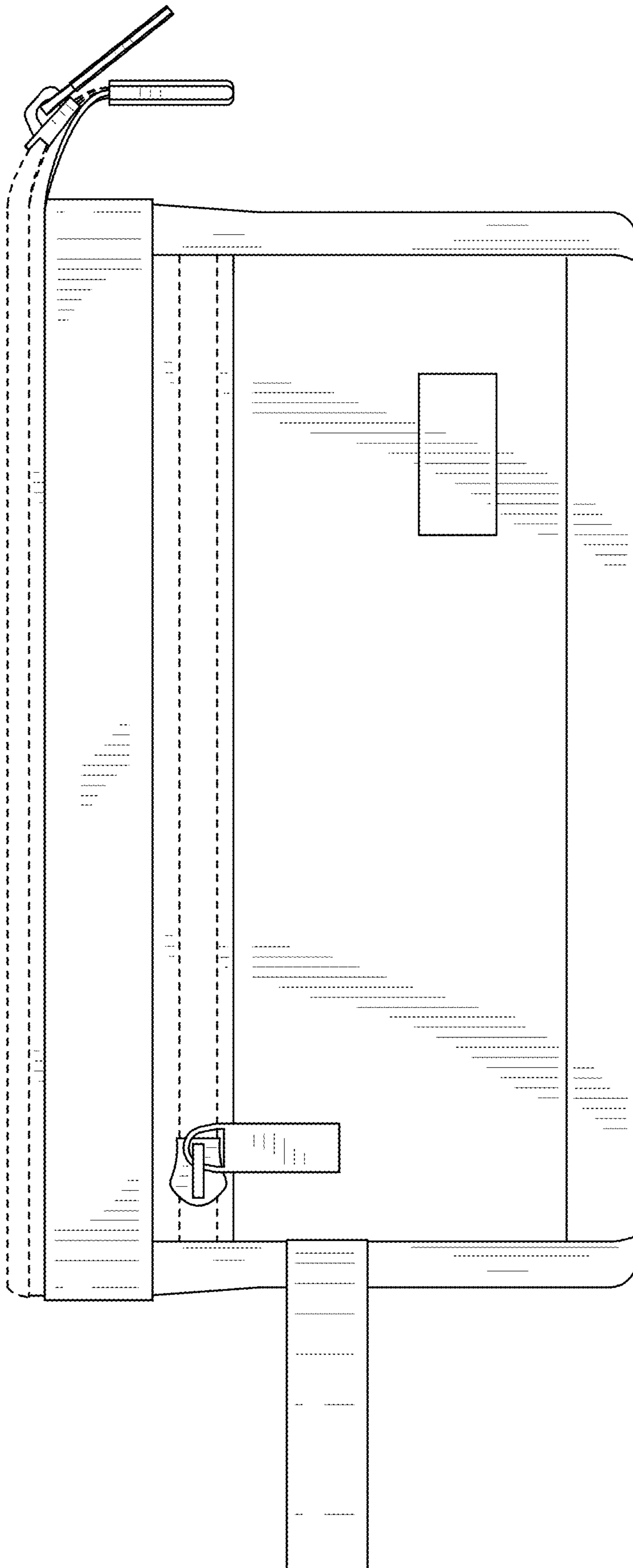


FIG.2

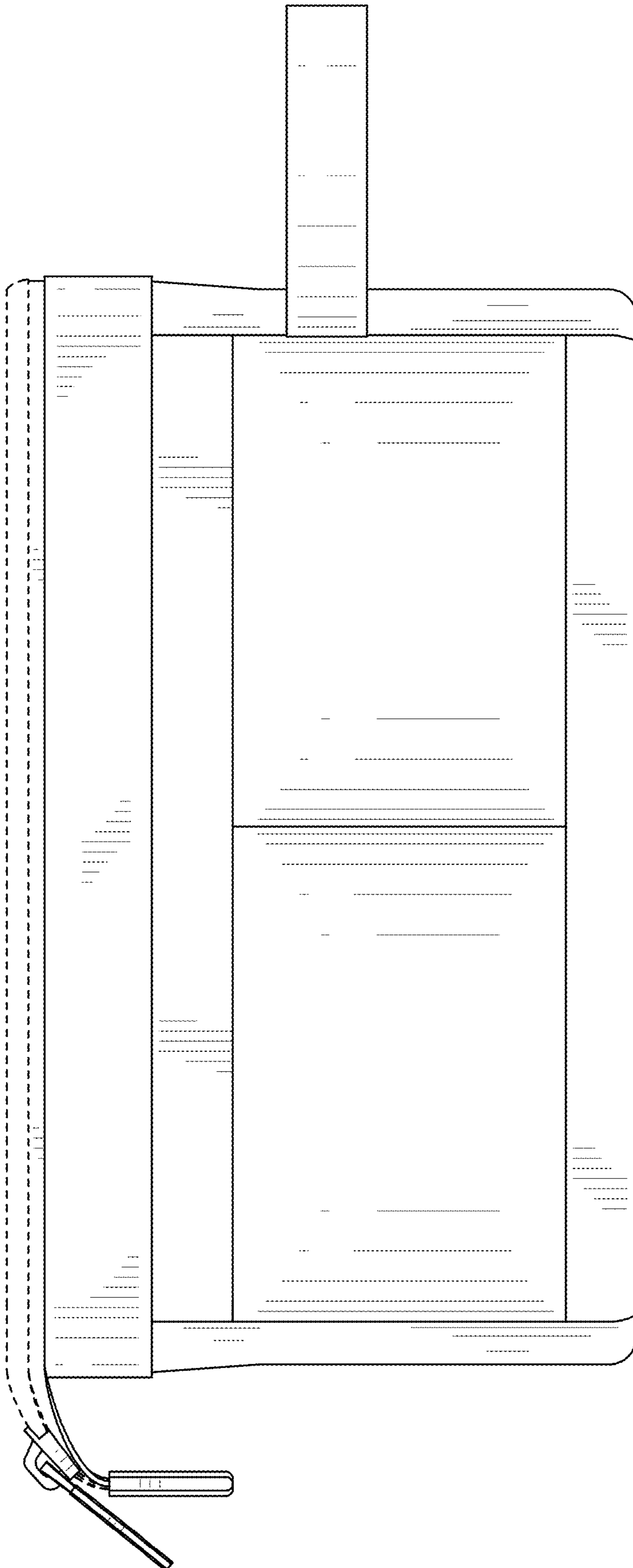


FIG.3

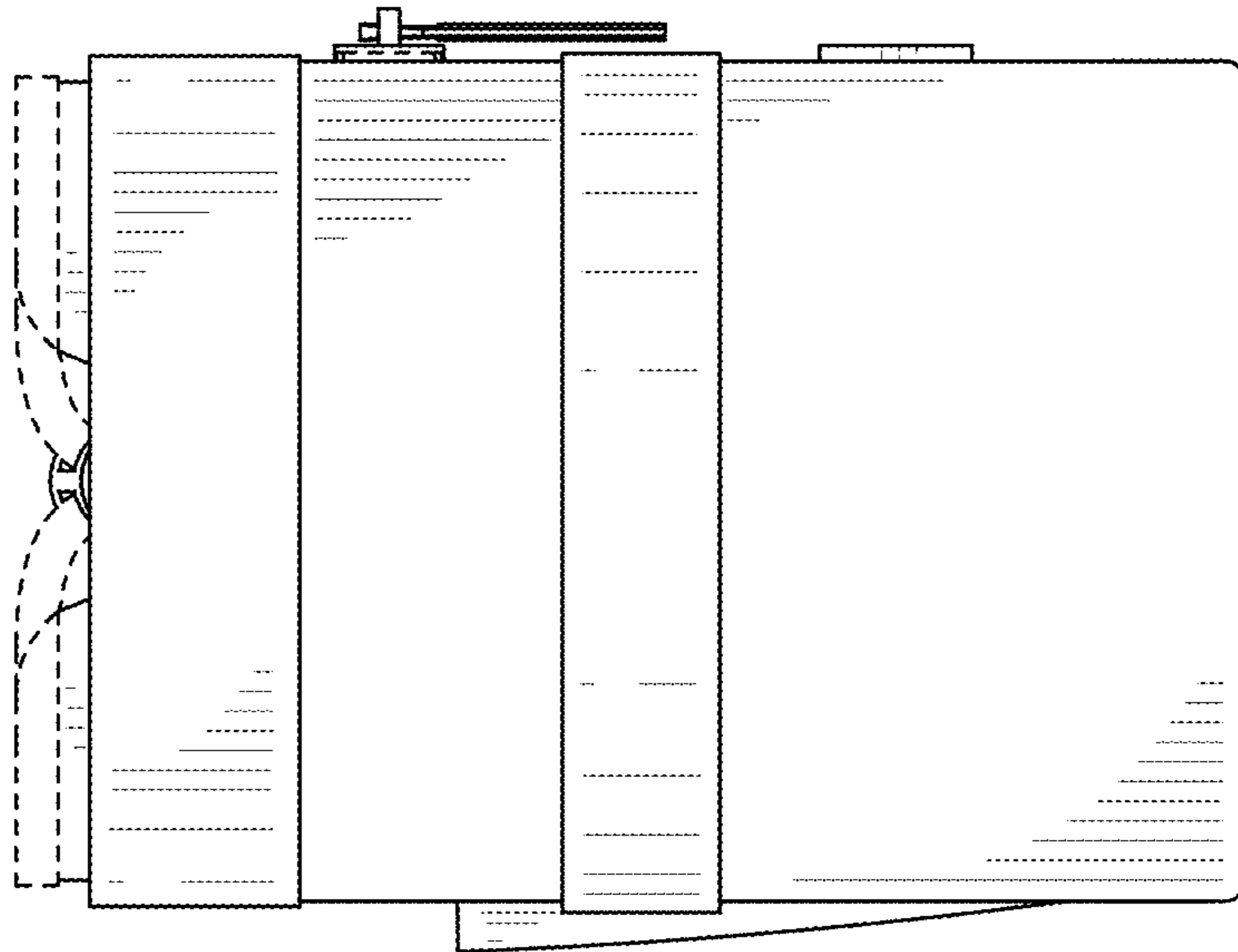


FIG.4

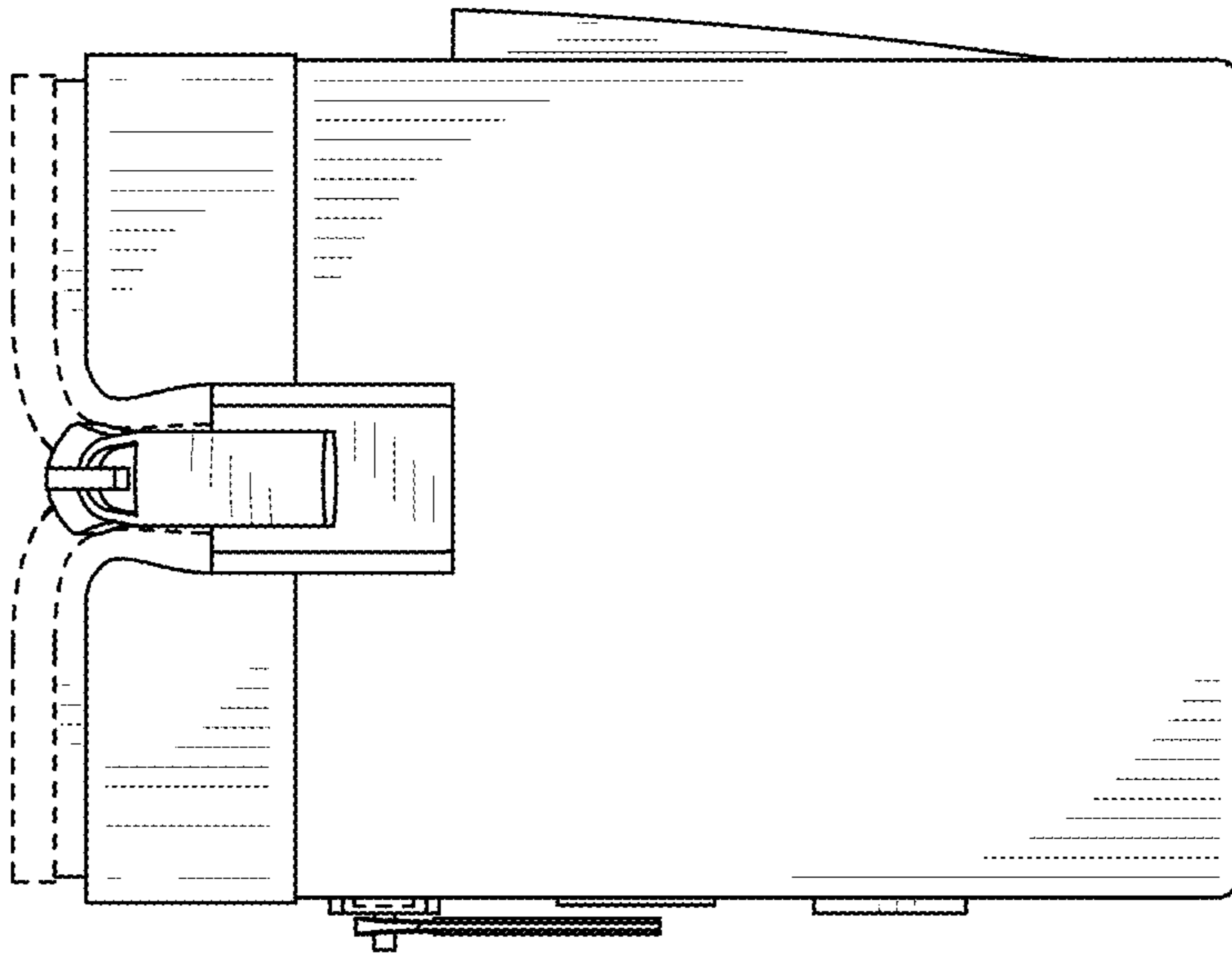


FIG. 5



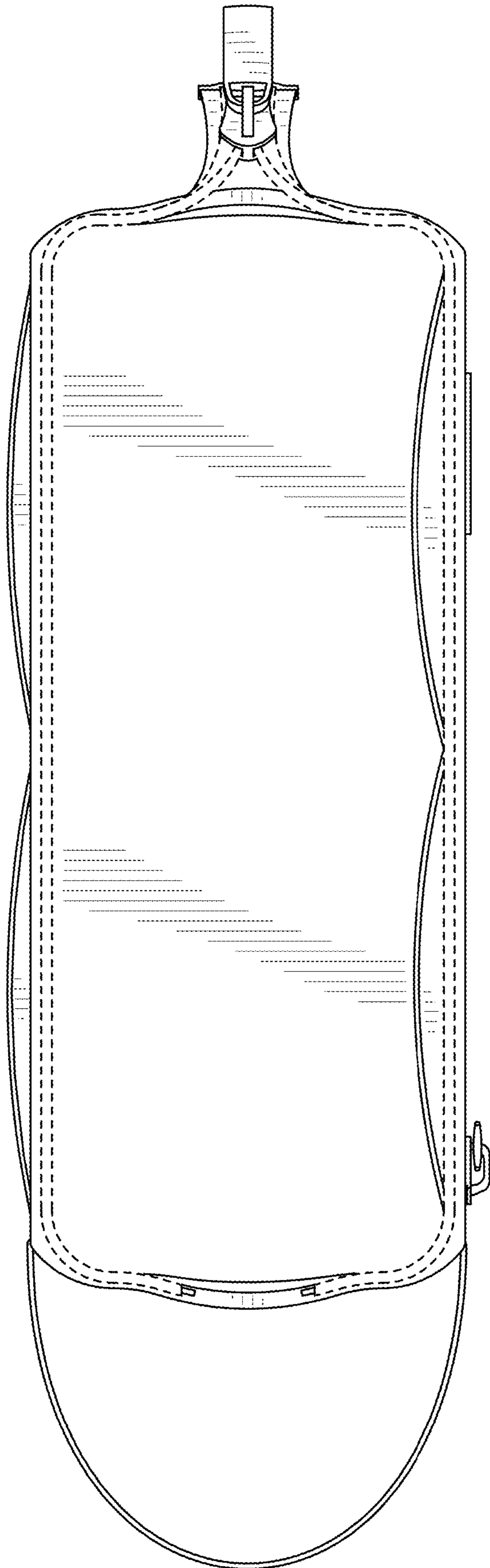


FIG.6

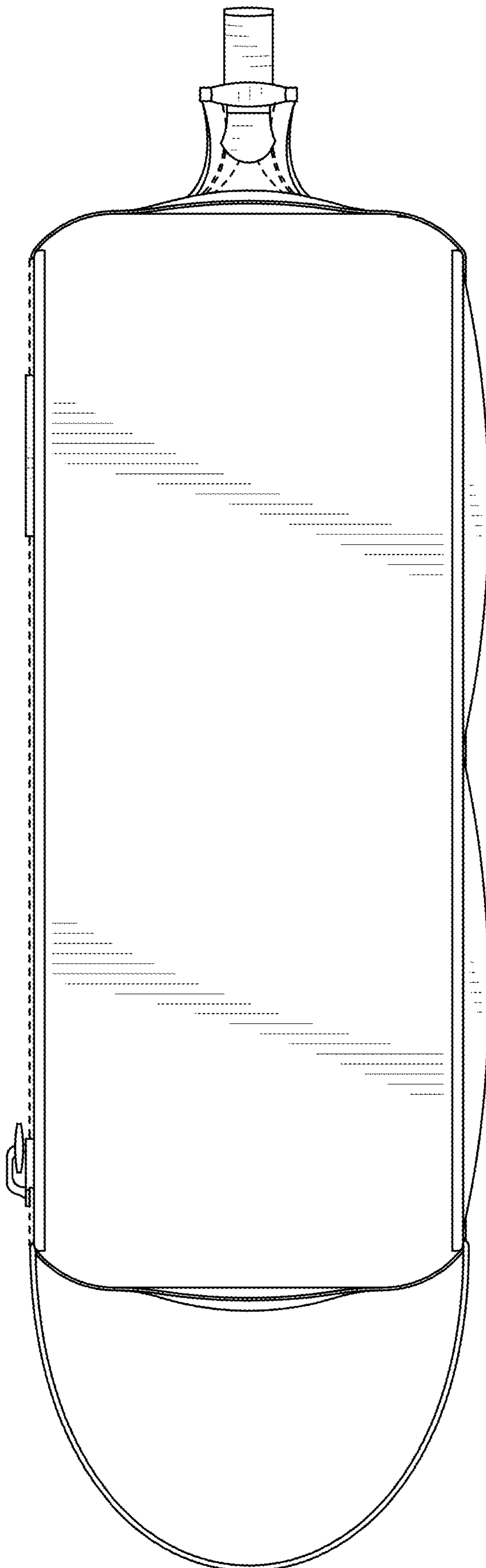


FIG. 7



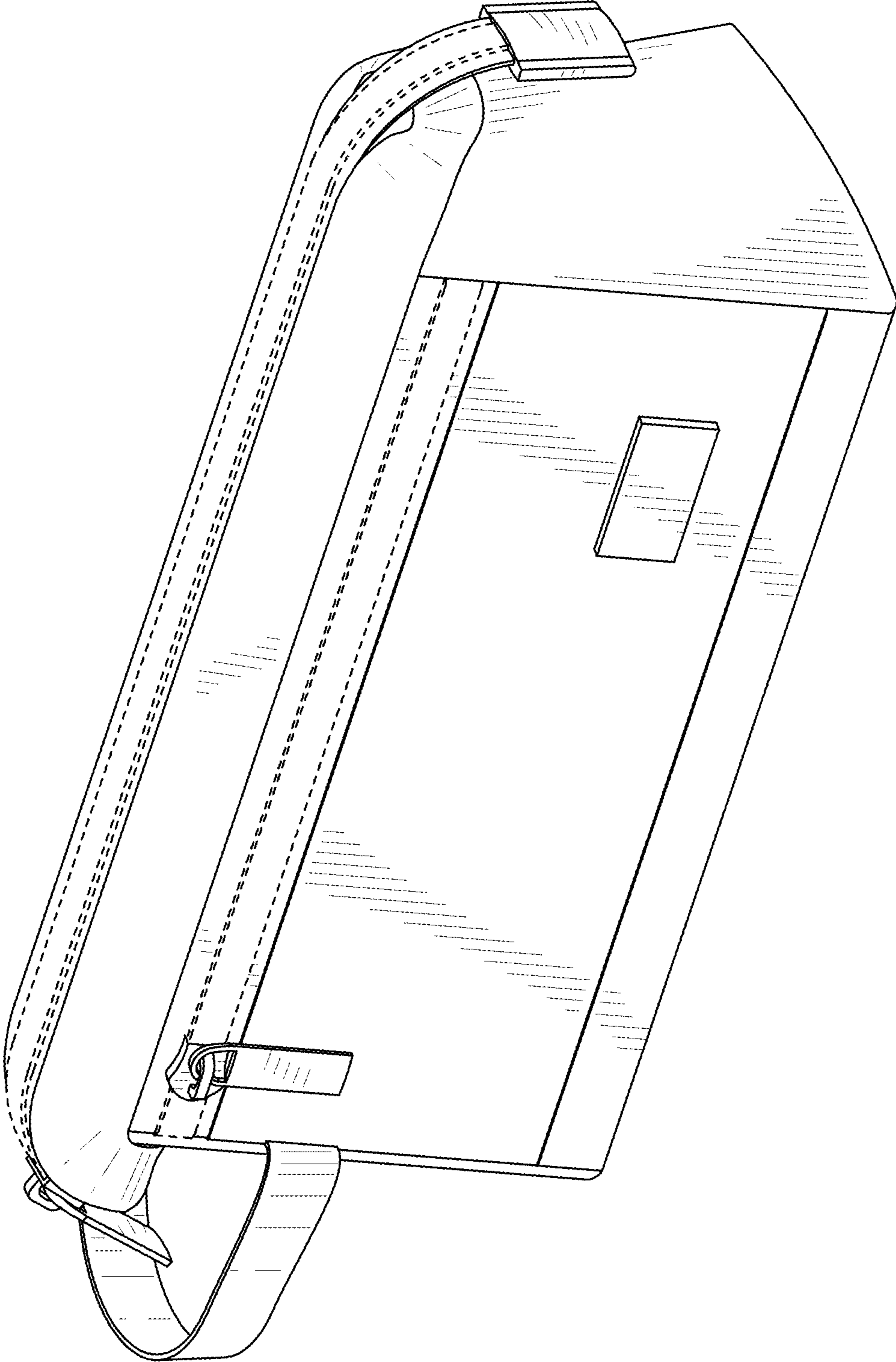


FIG. 8