



US00D938714S

(12) **United States Design Patent** (10) **Patent No.:** **US D938,714 S**  
**He** (45) **Date of Patent:** **\*\* Dec. 21, 2021**

(54) **PARASOL STAND**  
(71) Applicant: **ZHEJIANG WEIGE ARTS & CRAFTS CO., LTD**, Zhejiang (CN)

D732,817 S \* 6/2015 Elstow ..... D3/10  
D735,997 S \* 8/2015 Behringer ..... D3/315  
D917,151 S \* 4/2021 Wang ..... D3/10  
D919,282 S \* 5/2021 Chen ..... D3/10  
(Continued)

(72) Inventor: **Yong He**, Zhejiang (CN)  
(73) Assignee: **ZHEJIANG WEIGE ARTS & CRAFTS CO., LTD**, Zhejiang (CN)

**FOREIGN PATENT DOCUMENTS**

CN 304922928 \* 12/2018  
EM 008035950-0001 \* 7/2020  
KR 301027584.0000 \* 10/2019

(\*\*) Term: **15 Years**

**OTHER PUBLICATIONS**

(21) Appl. No.: **29/740,669**  
(22) Filed: **Jul. 6, 2020**  
(51) **LOC (13) Cl.** ..... **03-03**  
(52) **U.S. Cl.**  
USPC ..... **D3/10**

EliteShade 34'x34' Offset Patio Umbrella Base . . . , unknown first available date, yasigcomp.com [online], [site visited Jul. 27, 2021], Available at internet URL: [https://www.yasigcomp.com/index.php?main\\_page=product\\_info&products\\_id=653104](https://www.yasigcomp.com/index.php?main_page=product_info&products_id=653104) (Year: 2021).\*  
(Continued)

(58) **Field of Classification Search**  
USPC ..... D3/5-17; D8/303; D26/138, 142, 151  
CPC .... A45B 3/02; A45B 3/04; A45B 9/02; A45B 11/00; A45B 15/00; A45B 17/00; A45B 19/00; A45B 19/04; A45B 19/08; A45B 19/10; A45B 21/00; A45B 2200/1081; A45B 23/00; A45B 2023/0012; A45B 2023/005; A45B 2023/0037; A45B 2023/0043; A45B 2023/0056; A45B 2023/0068; A45B 2023/0075; A45B 25/00; A45B 25/02; A45B 25/06; A45B 25/08; A45B 25/10; A45B 25/14; A45B 25/18; A45B 25/20; A45B 25/22; A45B 25/143; A45B 2025/003  
See application file for complete search history.

*Primary Examiner* — Jeffrey D Asch  
*Assistant Examiner* — Caitlin A Laverty  
(74) *Attorney, Agent, or Firm* — JCIP Global Inc.

(57) **CLAIM**

The ornamental design for a parasol stand, as shown and described.

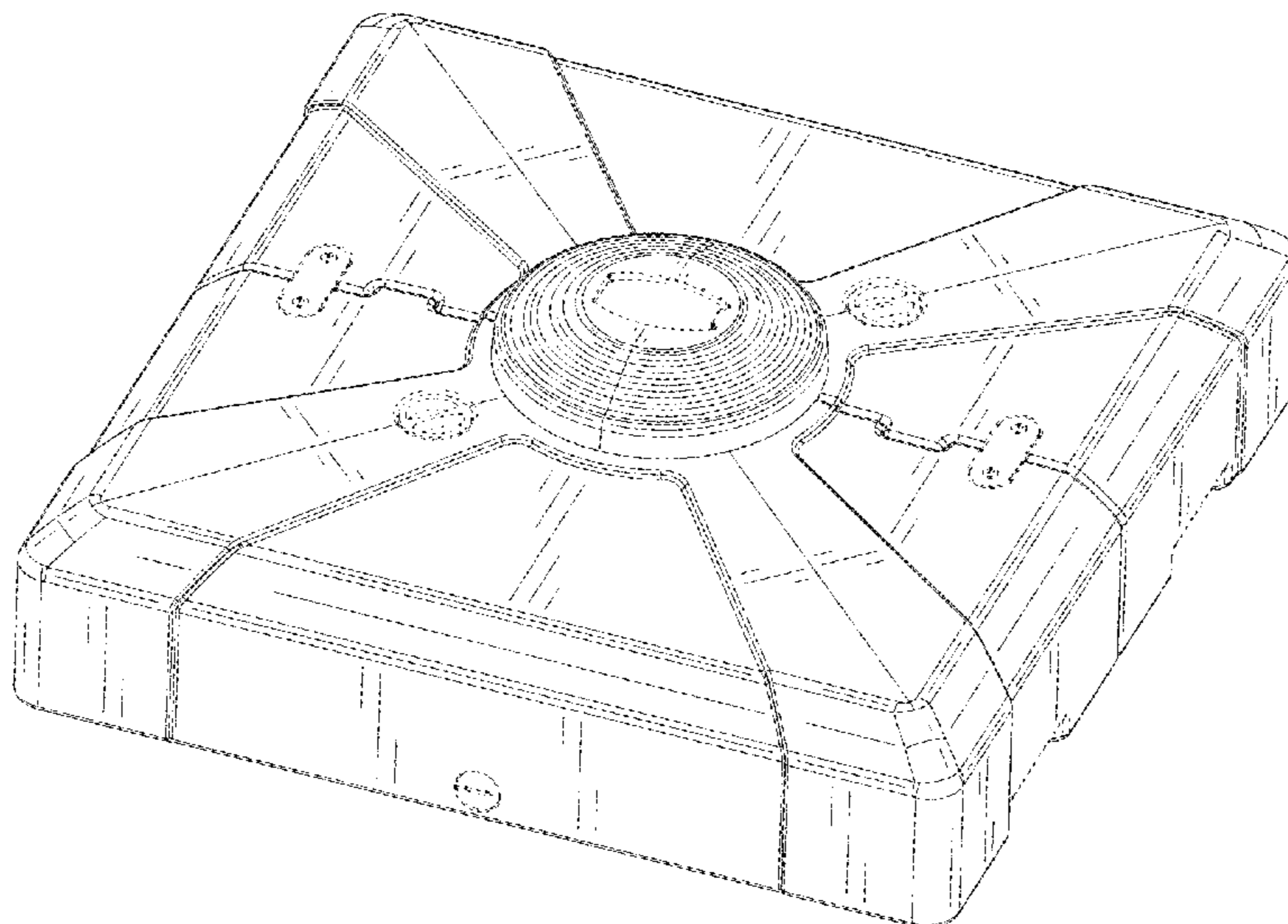
**DESCRIPTION**

FIG. 1 is a perspective view of a parasol stand showing my new design;  
FIG. 2 is a front view thereof;  
FIG. 3 is a rear view thereof;  
FIG. 4 is a left side view thereof;  
FIG. 5 is a right side view thereof;  
FIG. 6 is a top view thereof; and,  
FIG. 7 is a bottom view thereof.  
The broken line features shown in FIGS. 1-7 represent portions of the parasol stand that form no part of the claimed design.

(56) **References Cited**  
**U.S. PATENT DOCUMENTS**

D568,603 S \* 5/2008 Smith ..... D3/10  
D573,786 S \* 7/2008 Smith ..... D3/10  
D587,395 S \* 2/2009 Elliott ..... D26/138  
D587,396 S \* 2/2009 Elliott ..... D26/138  
D669,197 S \* 10/2012 Connor ..... D25/133  
D724,309 S \* 3/2015 Ma ..... D3/10

**1 Claim, 5 Drawing Sheets**



(56)

**References Cited**

U.S. PATENT DOCUMENTS

D931,595 S \* 9/2021 Wang ..... D3/10  
2007/0080277 A1 \* 4/2007 Chen ..... E04H 15/28  
248/354.3  
2010/0307547 A1 \* 12/2010 Li ..... A45B 3/04  
135/16  
2020/0208429 A1 \* 7/2020 Ma ..... A45B 25/00

OTHER PUBLICATIONS

Purple Leaf Offset Patio Umbrella Base . . . , unknown first available date, amazon.com [online], [site visited Jul. 27, 2021], Available at internet URL: <https://www.amazon.com/PURPLE-LEAF-Offset-Umbrella-Filled/dp/B082WBKN1T?th=1> (Year: 2021).\*

Sunnyglade 33"x33" Offset Patio Umbrella Base . . . , unknown first available date, amazon.com [online], [site visited Jul. 27, 2021], Available at internet URL: <https://www.amazon.com/Sunnyglade-Offset-Umbrella-Filled-Square/dp/B07L2S8X35> (Year: 2021).\*

\* cited by examiner

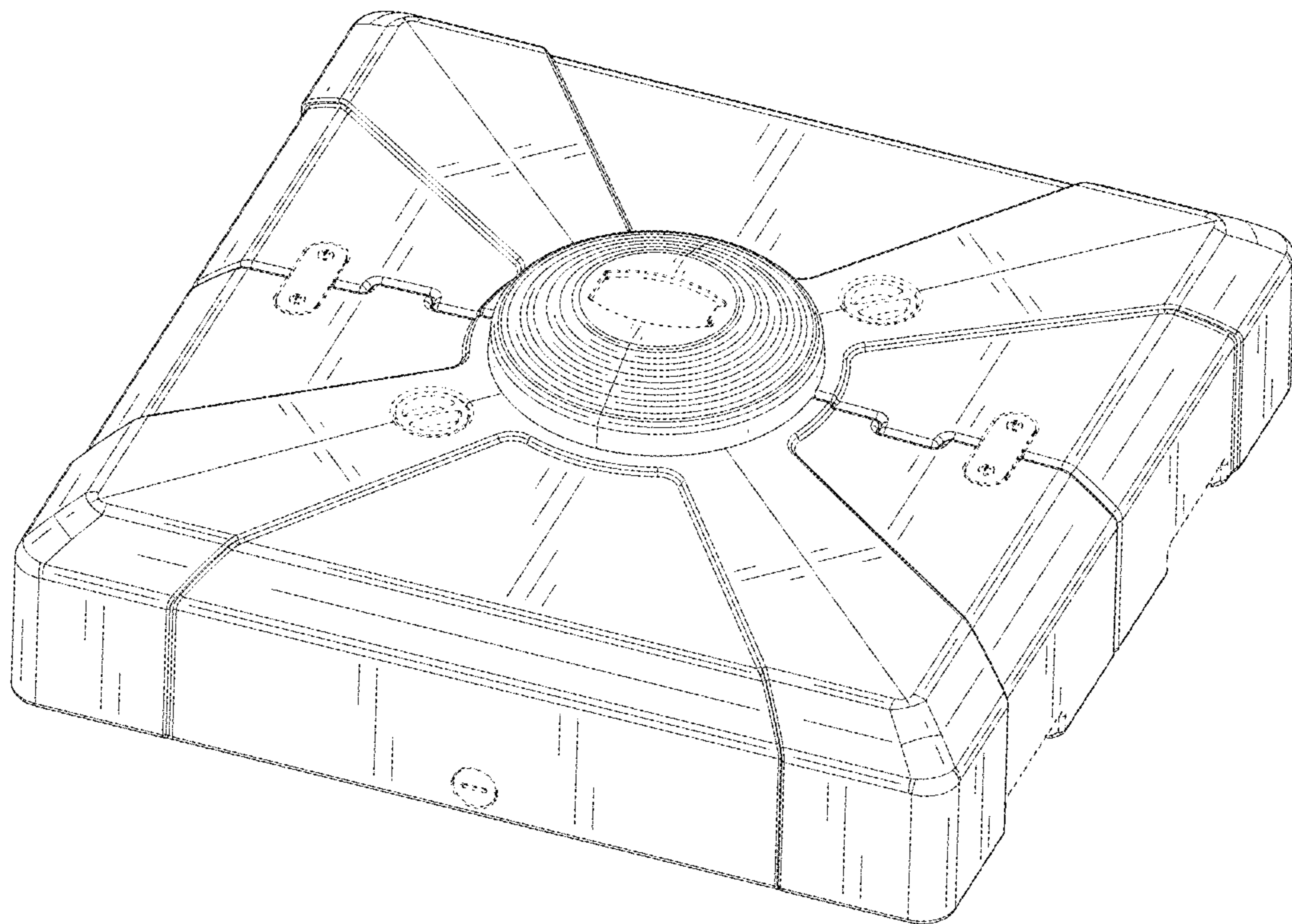


FIG. 1

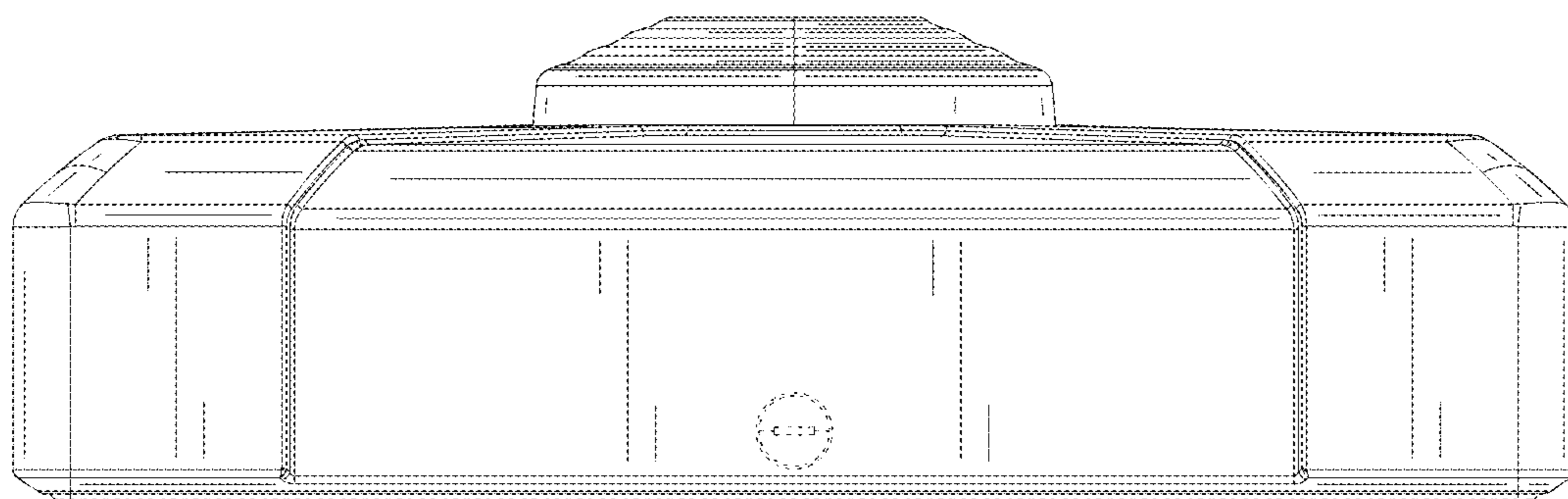


FIG. 2

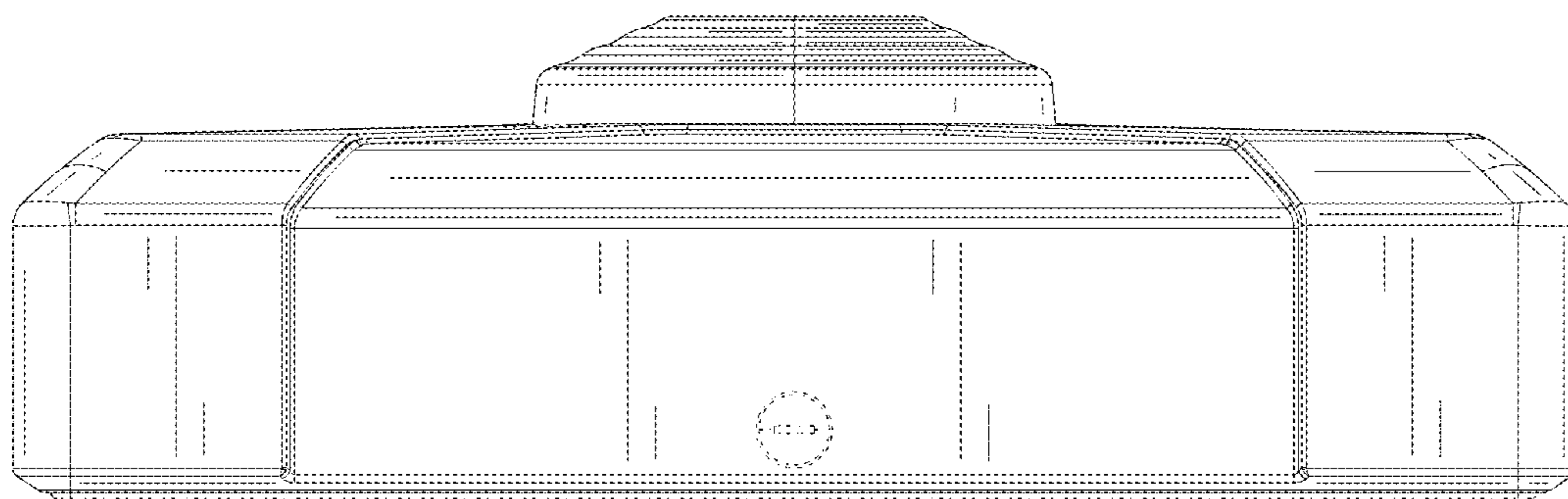


FIG. 3

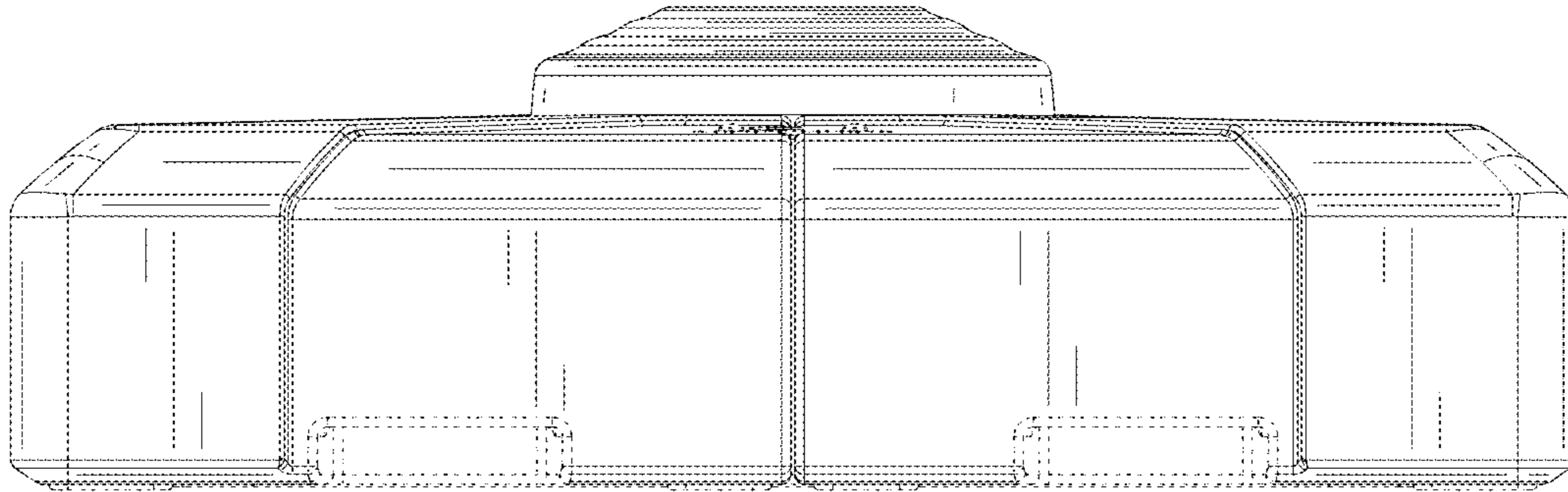


FIG. 4

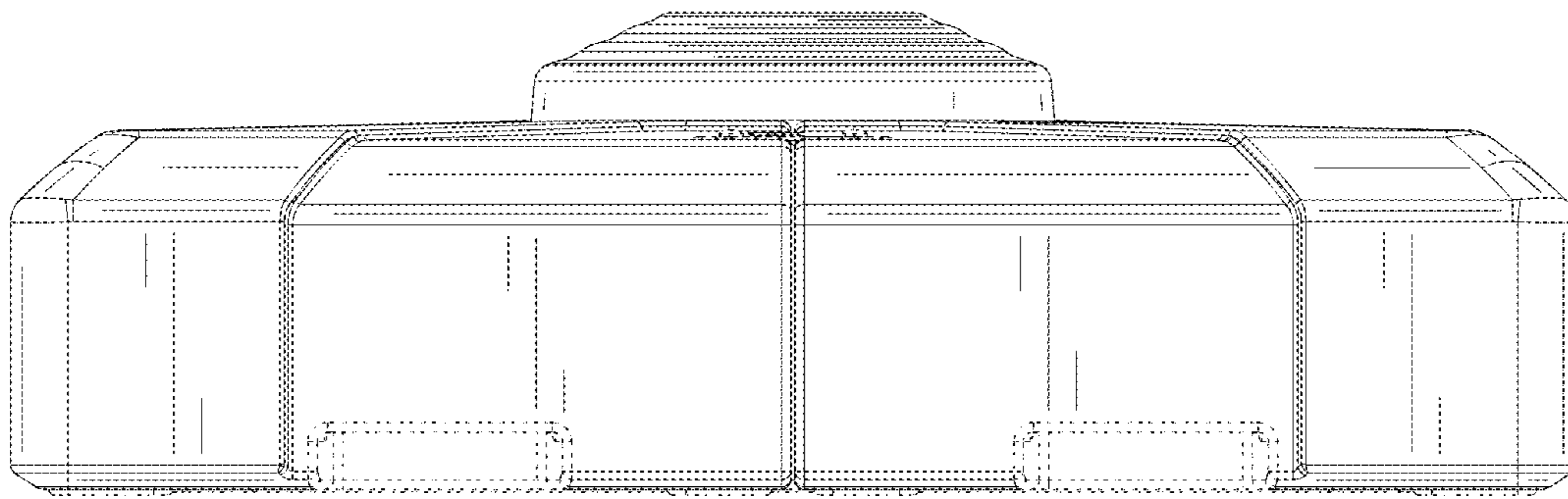


FIG. 5

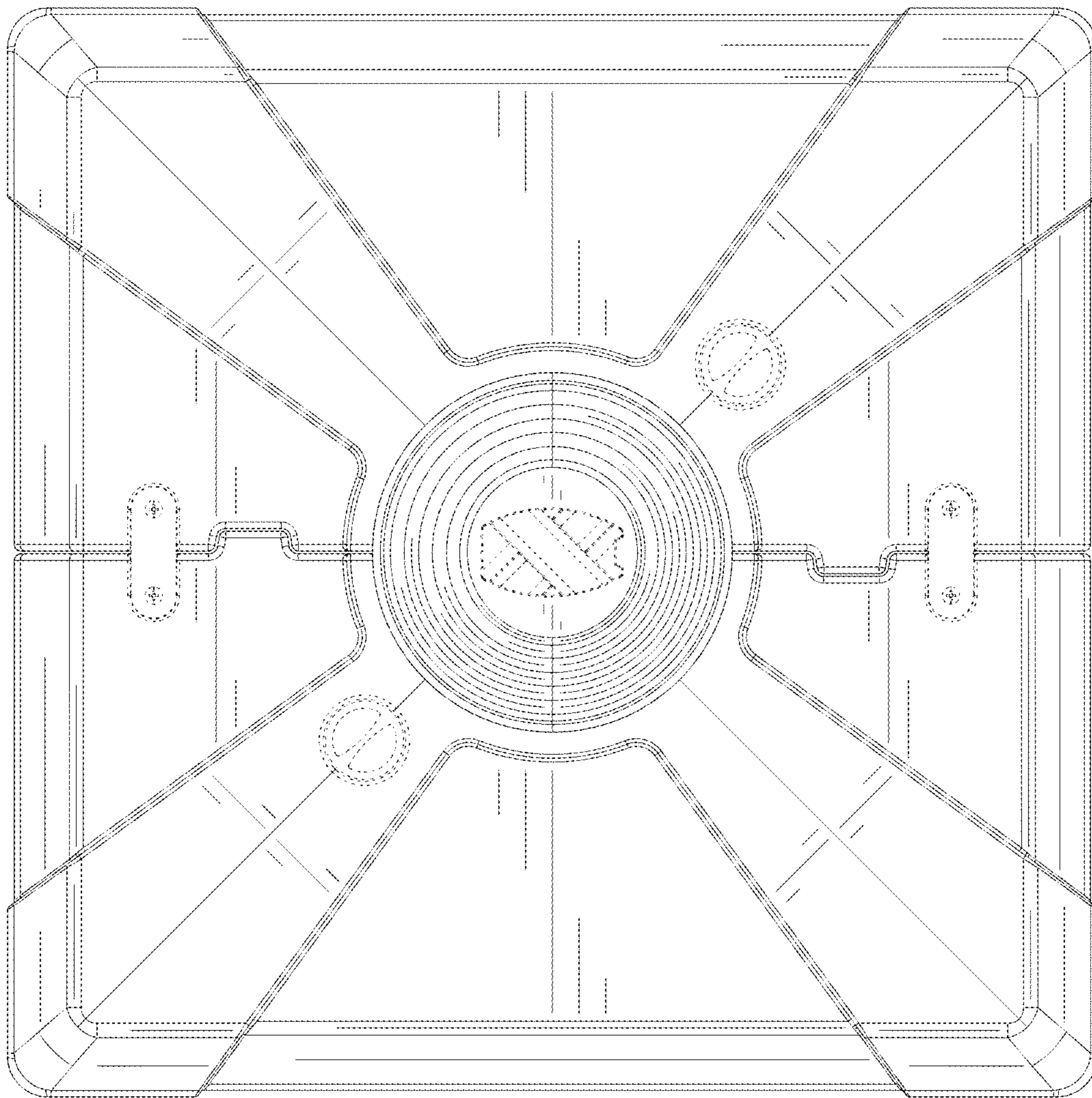


FIG. 6

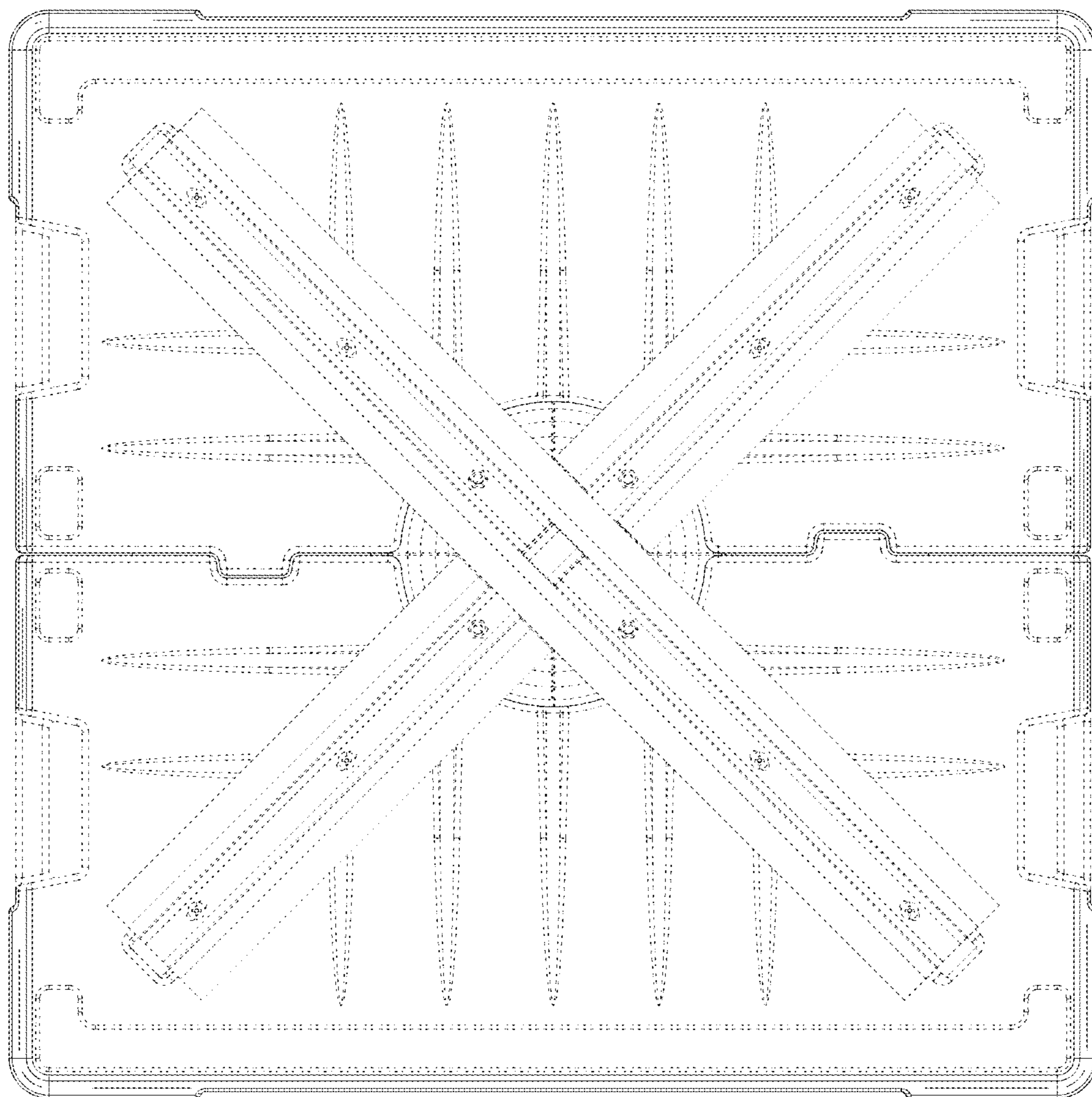


FIG. 7