



US00D938712S

(12) **United States Design Patent**
Nickless

(10) **Patent No.:** **US D938,712 S**

(45) **Date of Patent:** **** Dec. 21, 2021**

- (54) **SHOE**
- (71) Applicant: **NIKE, Inc.**, Beaverton, OR (US)
- (72) Inventor: **David Nickless**, Beaverton, OR (US)
- (73) Assignee: **NIKE, Inc.**, Beaverton, OR (US)
- (**) Term: **15 Years**
- (21) Appl. No.: **29/748,144**
- (22) Filed: **Aug. 27, 2020**
- (51) **LOC (13) Cl.** **02-04**
- (52) **U.S. Cl.**
USPC **D2/972**; D2/947
- (58) **Field of Classification Search**
USPC D2/896, 902-908, 946-947, 949, 953,
D2/954-959, 960, 968, 969, 972,
D2/976-978; D30/157
CPC A43B 13/00; A43B 13/02; A43B 13/04;
A43B 13/10; A43B 13/12; A43B 13/122;
A43B 13/14; A43B 1/00; A43B 1/10;
A43B 1/12; A43B 1/14; A43B 5/00;
A43B 5/02; A43B 5/06; A43B 5/08;
A43B 5/10; A43B 23/00; A43B 23/02;
A43B 23/0215; A43B 23/08; A43B
23/10; A43B 23/14; A43B 23/16
See application file for complete search history.

(56) **References Cited**

U.S. PATENT DOCUMENTS

- D324,131 S * 2/1992 Lucas D2/977
- D407,540 S * 4/1999 Dolinsky D2/946
- 6,662,474 B2 * 12/2003 Tomat A43B 23/17
36/68
- D489,525 S * 5/2004 Snow D2/972
- D778,586 S * 2/2017 McMillan D2/972
- D794,287 S * 8/2017 Raasch D2/947
- D808,629 S * 1/2018 Parrett D2/972

- D816,972 S 5/2018 Pauk
- D817,611 S * 5/2018 Small D2/947
- D817,612 S * 5/2018 Small D2/947
- D822,349 S * 7/2018 Petrenka D2/947
- D840,663 S * 2/2019 Flanagan A43B 11/00
D2/972
- D841,297 S * 2/2019 Small D2/947
- D841,298 S * 2/2019 Small D2/947
- D851,381 S 6/2019 Hong
- D851,877 S * 6/2019 Small D2/947
- D851,878 S * 6/2019 Pauk D2/947
- D858,054 S * 9/2019 McMillan D2/947
- D860,603 S * 9/2019 Small D2/947
- D860,605 S * 9/2019 Small D2/947

(Continued)

OTHER PUBLICATIONS

Jasmine Tang, The Nike Waffle One Is Next To Join The Multi-Swooshed Summer of Sports Pack, announced Jun. 20, 2021 [online]. [site visited Oct. 5, 2021]. Available from internet, URL: <https://sneakernews.com/2021/06/20/nike-waffle-one-summer-of-sports-white-dn8019-100/> (Year: 2021).*

(Continued)

Primary Examiner — Elizabeth J Oswecki
Assistant Examiner — Yelizaveta Y Masalimova
(74) *Attorney, Agent, or Firm* — Banner & Witcoff, Ltd.

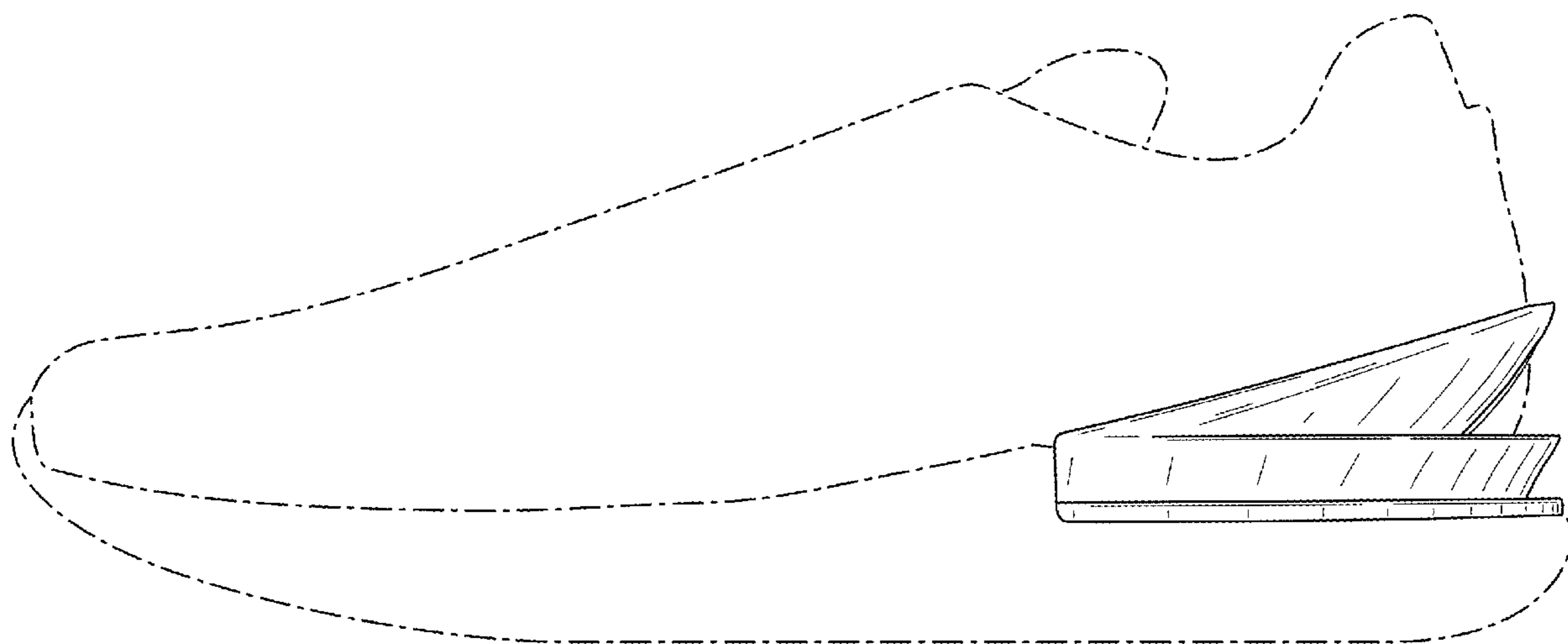
(57) **CLAIM**

The ornamental design for a shoe, as shown and described.

DESCRIPTION

FIG. 1 is a side view of a shoe showing my new design; FIG. 2 is a rear perspective view thereof; FIG. 3 is a rear view thereof; FIG. 4 is an opposite side rear perspective view thereof; and, FIG. 5 is an opposite side view thereof. The unshaded areas form no part of the claimed design.

1 Claim, 5 Drawing Sheets



(56)

References Cited

U.S. PATENT DOCUMENTS

D860,609	S	*	9/2019	Small	D2/947
D860,610	S	*	9/2019	Small	D2/947
D860,611	S	*	9/2019	Small	D2/947
D869,131	S	*	12/2019	Raasch	D2/947
D869,832	S	*	12/2019	Seamarks	D2/947
D874,123	S		2/2020	Cin		
D876,798	S		3/2020	Aden		
D879,425	S	*	3/2020	Raasch	D2/947
D880,824	S	*	4/2020	Little	D2/947
D882,917	S	*	5/2020	Young	D2/947
D891,056	S	*	7/2020	Avar	D2/947
D891,057	S	*	7/2020	Seamarks	D2/947
D891,742	S	*	8/2020	Seamarks	D2/947
D894,584	S	*	9/2020	de Montgolfier	D2/972
D899,754	S	*	10/2020	Hatfield	D2/972
D902,541	S	*	11/2020	Popovic	D2/947
D902,542	S	*	11/2020	Popovic	D2/947
D905,390	S	*	12/2020	Hong	D2/947
D905,394	S	*	12/2020	Schultze	D2/947
D906,649	S	*	1/2021	Odinot	D2/947
D907,342	S	*	1/2021	Odinot	D2/947
D928,484	S	*	8/2021	Campos, II	D2/947
2002/0129516	A1	*	9/2002	Lucas	A43B 3/0063 36/35 R
2018/0110287	A1	*	4/2018	Hopkins	A43C 1/00
2018/0289109	A1	*	10/2018	Beers	A43B 21/26

OTHER PUBLICATIONS

Claudia Miller, The Whitaker Group Will Introduce a New Nike Waffle Shoe Exclusive to the Retailer, announced Feb. 19, 2021 [online], [site visited Oct. 5, 2021]. Available from internet, URL: <https://footwearnews.com/2021/focus/athletic-outdoor/whitaker-group-nike-waffle-one-release-info-1203108944/> (Year: 2021).*

“Official Photos of the Jordan React Havoc “PSG””; Sneaker Bar Detroit; retrieved Aug. 17, 2020; published Jul. 18, 2019; URL: <<https://sneakerbardetroit.com/jordan-react-havoc-psg-cj6999-100-release-date/>>.

“Nike Gives the Roshe Waffle Racer a Fresh New Everyday Look”; Sneaker Bar Detroit; retrieved Aug. 17, 2020 published May 24, 2017; URL: <<https://sneakerbardetroit.com/nike-roshe-waffle-racer-premium-smokey-blue/>>.

“The Nike Zoom 2K Is Like a Basketball Version of the M2K Tekno”; Sneaker News; retrieved Aug. 17, 2020; published Nov. 27, 2018; URL: <<https://sneakernews.com/2018/11/27/nike-zoom-2k-release-date/>>.

“Nike Reworks Its Classics With the Waffle Racer 2X”; Sneaker News; retrieved Aug. 17, 2020; published Jul. 8, 2020; URL: <<https://sneakernews.com/2020/07/08/nike-waffle-racer-20-ck6647-001-release-info/>>.

“The sacai x Nike Vapor Waffle Emerges in Royal and Red Accents”; Sneaker News; retrieved Aug. 17, 2020; published May 25, 2020; URL: <<https://sneakernews.com/2020/05/25/sacai-nike-vapor-waffle-2020-release-info/>>.

* cited by examiner

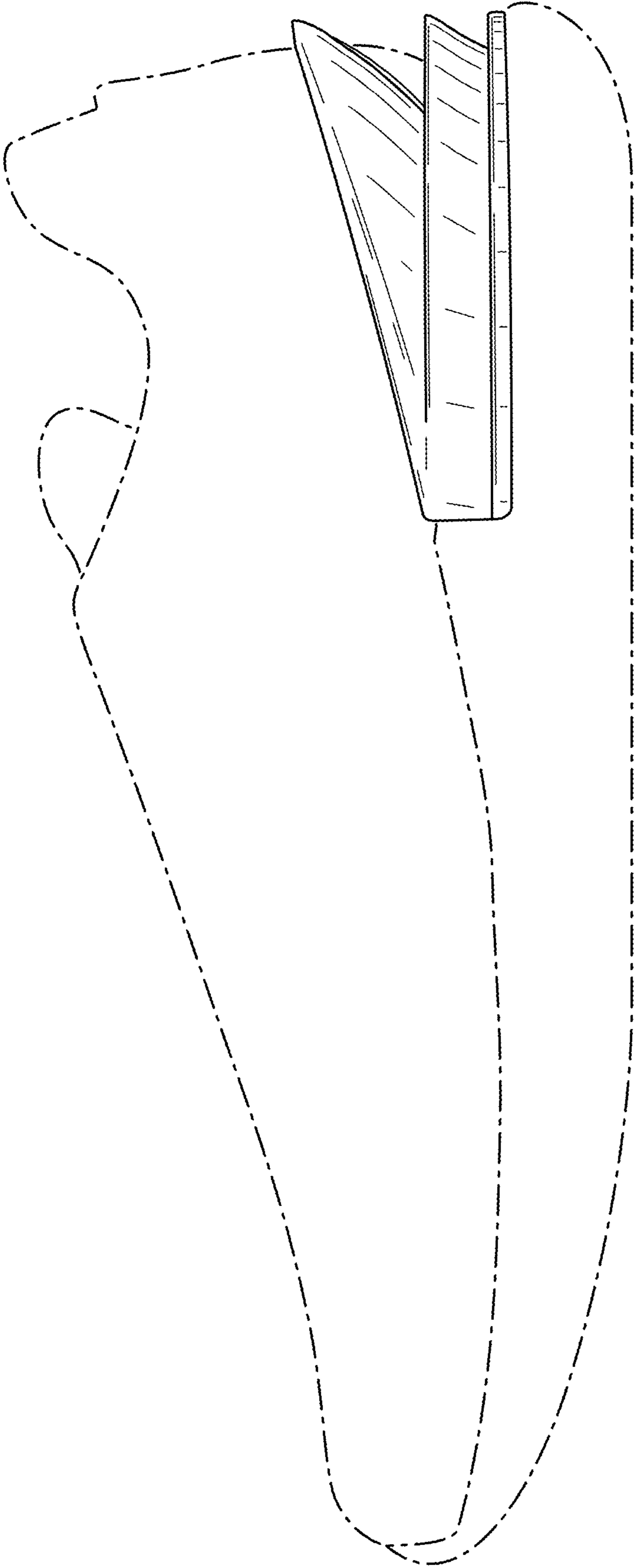


FIG. 1

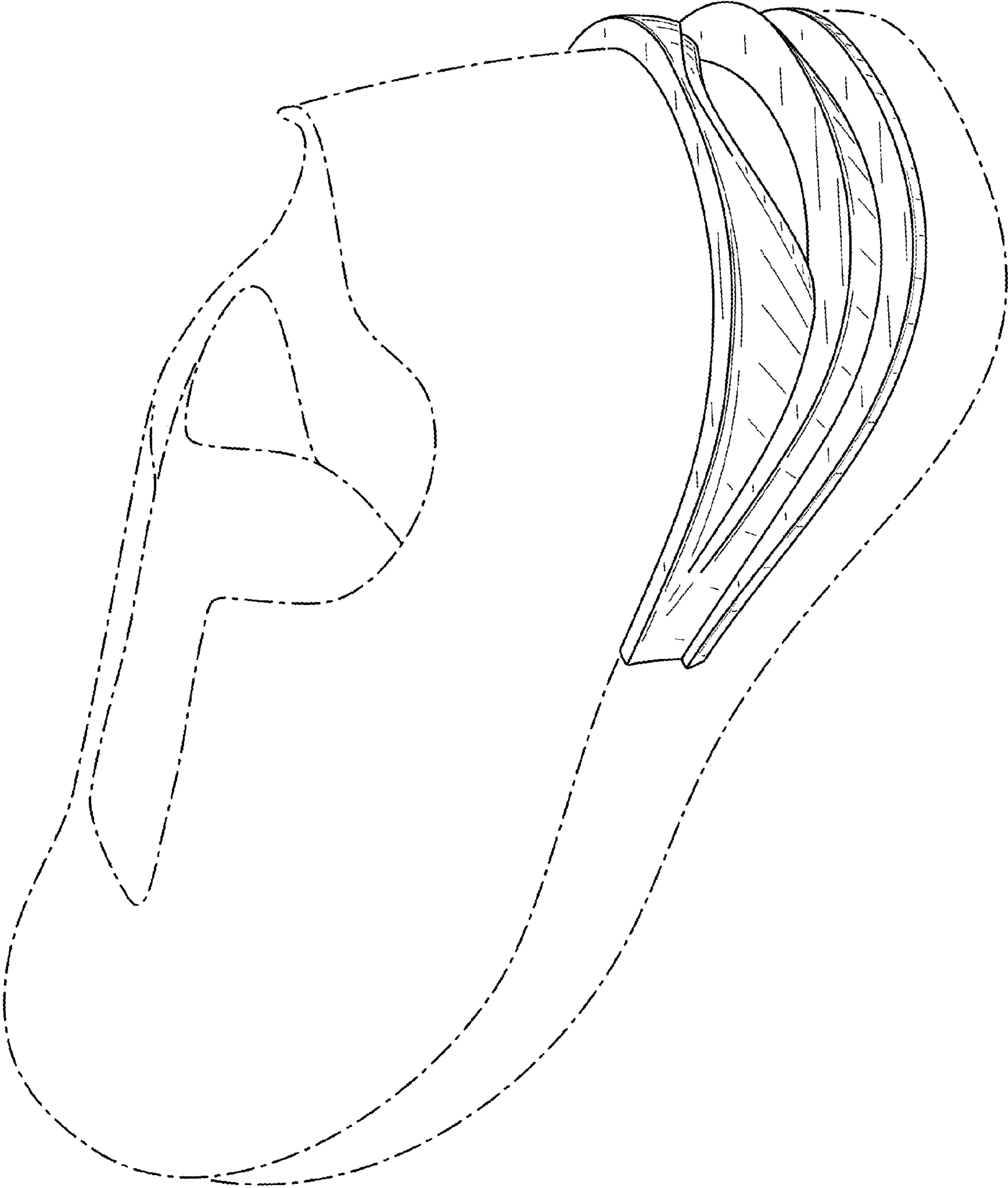


FIG. 2

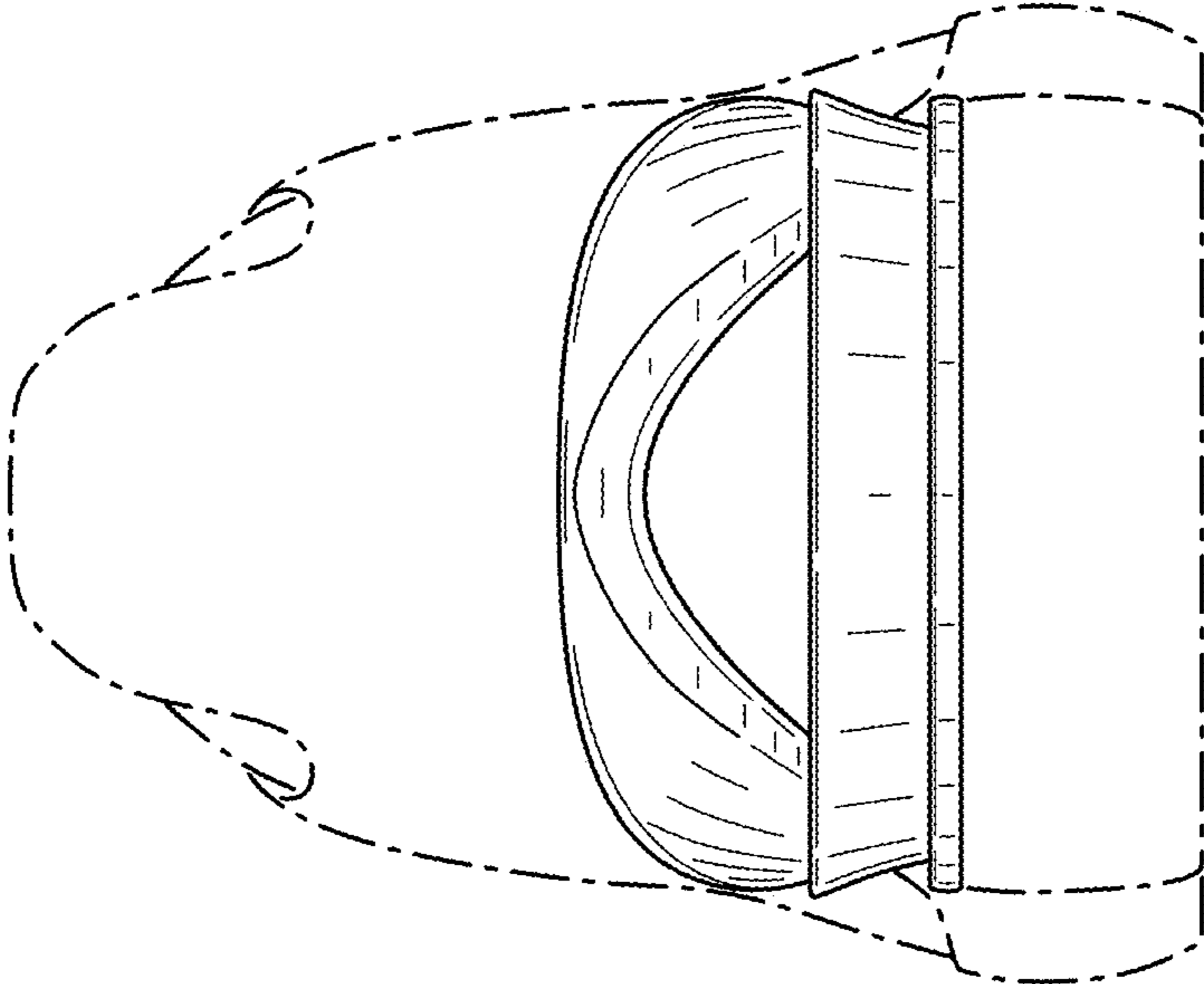


FIG. 3

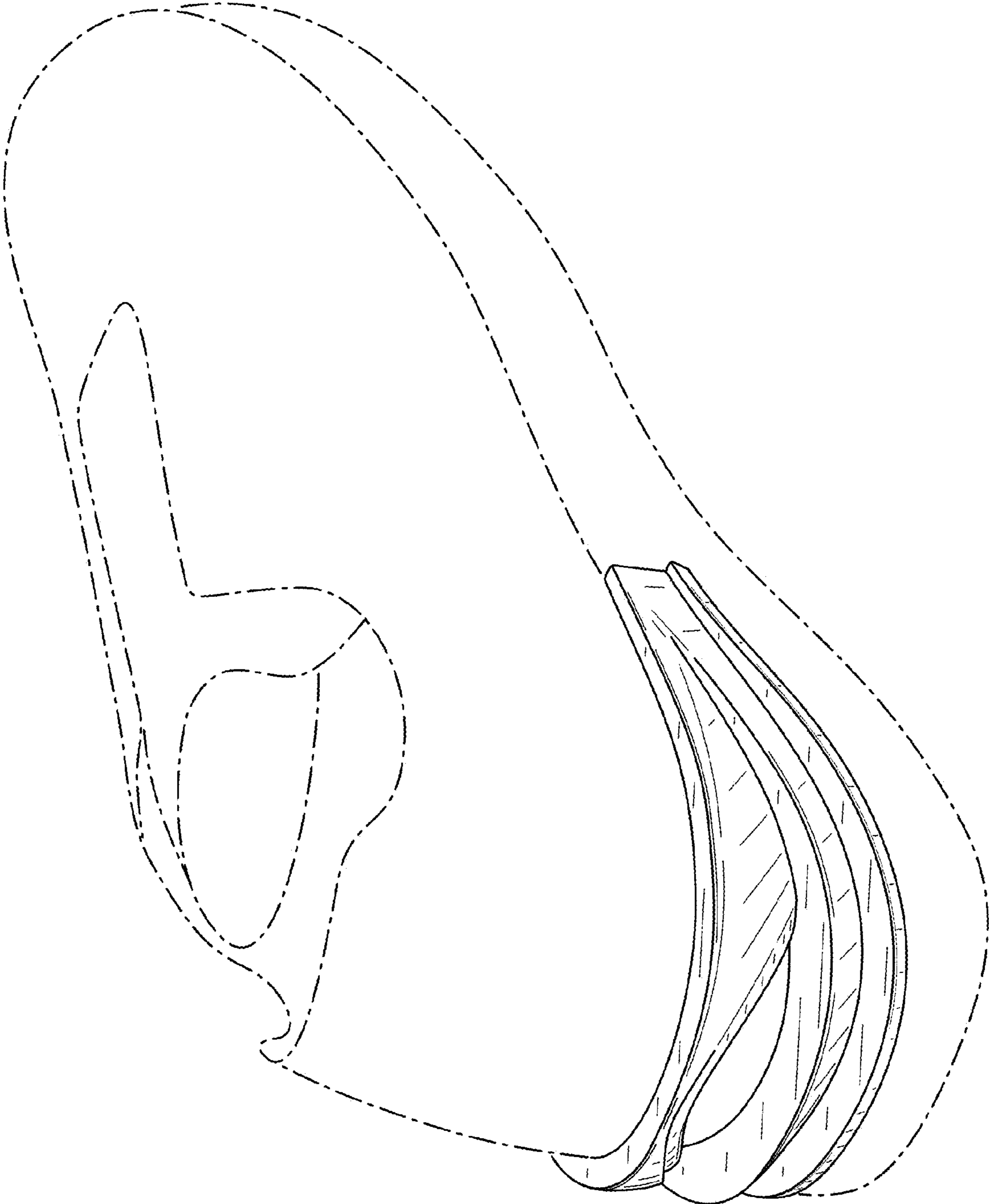


FIG. 4

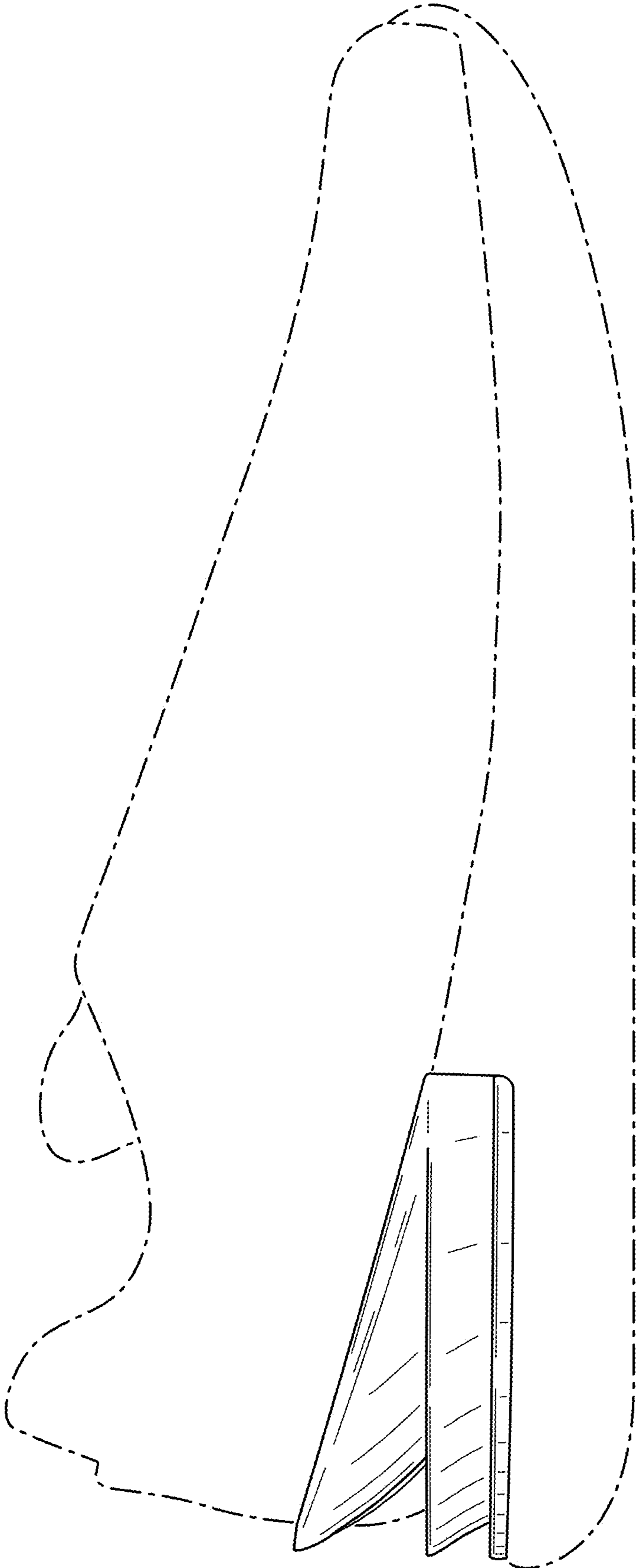


FIG. 5