



US00D938686S

(12) **United States Design Patent** (10) **Patent No.:** **US D938,686 S**
Anderson et al. (45) **Date of Patent:** **** Dec. 14, 2021**

(54) **METAL HOSE CART**

(71) Applicant: **Suncast Technologies, LLC**, Palm Beach Gardens, FL (US)

(72) Inventors: **Torrence Anderson**, Overland Park, KS (US); **Dov Blitzler**, Naperville, IL (US); **William J. Phillips**, Batavia, IL (US); **Stephen Whitehead**, Elgin, IL (US)

(73) Assignee: **Suncast Technologies, LLC**, Palm Beach Gardens, FL (US)

(**) Term: **15 Years**

(21) Appl. No.: **29/680,998**

(22) Filed: **Feb. 21, 2019**

(51) **LOC (13) Cl.** **12-02**

(52) **U.S. Cl.**
USPC **D34/24; D34/14**

(58) **Field of Classification Search**
USPC **D34/12-27; D8/356**
CPC **B62B 1/112; B62B 1/006; B62B 1/262;**
B62B 1/264; B62B 1/14; B62B 1/125;
B62B 3/002; B62B 3/005; B62B 3/027;
B62B 3/1408; B62B 3/146; B62B 3/142;
B62B 3/02; B62B 3/10; B62B 3/12;
B62B 3/14; B62B 3/1492; B62B 3/165;
B62B 5/06; B62B 5/067

See application file for complete search history.

(56) **References Cited**

U.S. PATENT DOCUMENTS

D288,496 S * 2/1987 Brownlie 242/403.1
RE32,510 E * 9/1987 Tisbo B65H 75/403
137/355.27
D303,446 S * 9/1989 Kitts D34/26
D341,240 S * 11/1993 Roman D34/24

D395,111 S * 6/1998 Spear D34/12
D503,837 S * 4/2005 Alkalay D34/14
D570,573 S * 6/2008 Arcati D34/24
D596,822 S * 7/2009 Blaszcak D34/24
D604,019 S * 11/2009 Blaszcak D34/14
D604,020 S * 11/2009 Blaszcak D34/14
D604,021 S * 11/2009 Blaszcak D34/14
D646,039 S * 9/2011 Franchini D34/24
D654,648 S * 2/2012 Blaszcak D34/24
D654,649 S * 2/2012 Blaszcak D34/24
D704,408 S * 5/2014 Loudon D34/14

OTHER PUBLICATIONS

Google search, Feb. 10, 2021, Tractor Supply Co. Yard Tuff Hose Reel Cart, <https://www.tractorsupply.com/tsc/product/yard-tuff-hose-reel-cart-260-ft-capacity> (Year: 2021).*

* cited by examiner

Primary Examiner — Cynthia Ramirez

(74) *Attorney, Agent, or Firm* — McHale & Slavin, P.A.

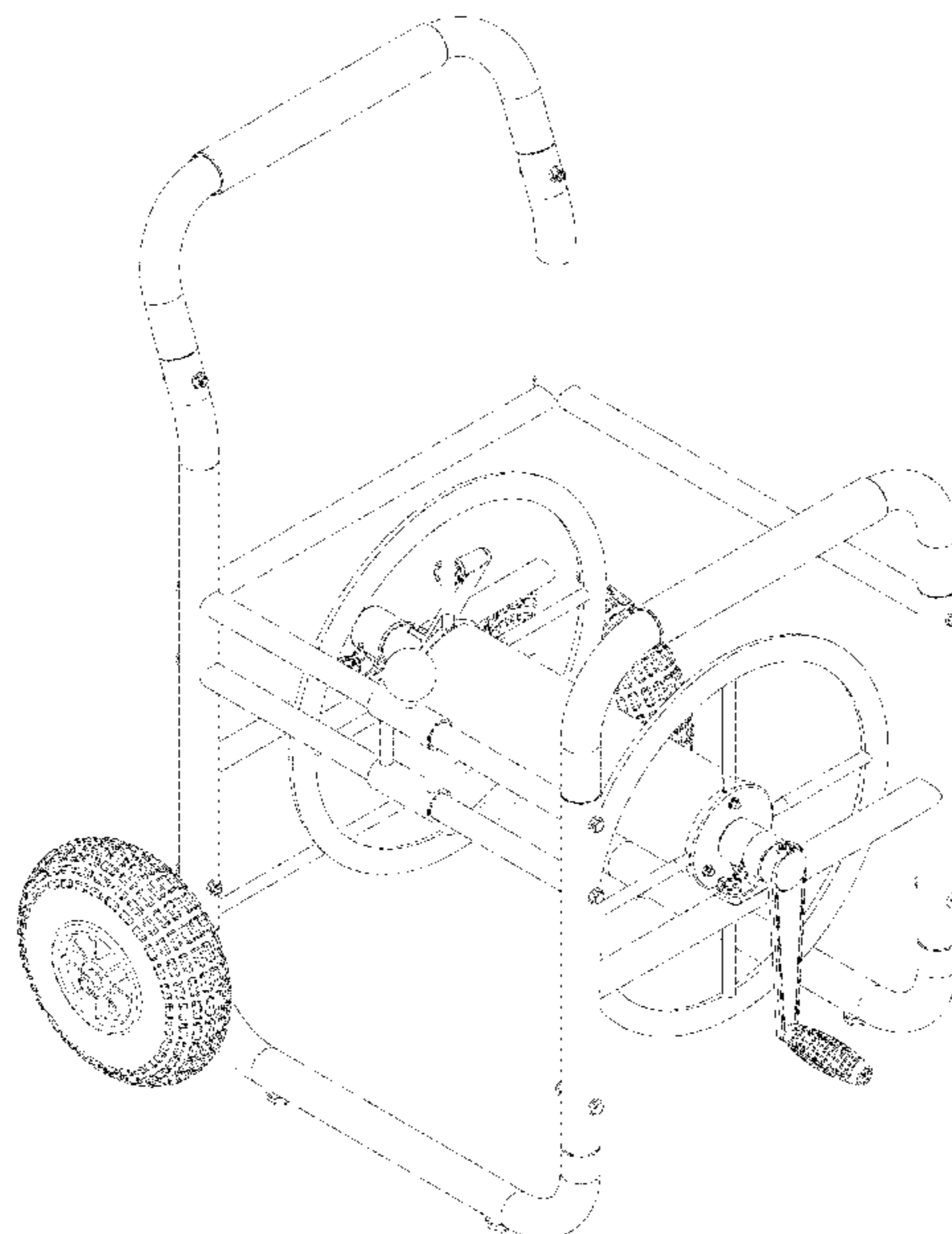
(57) **CLAIM**

The ornamental design for a metal hose cart, as shown and described.

DESCRIPTION

FIG. 1 is a top left perspective view of the metal hose cart of the present invention;
FIG. 2 is a left side view thereof;
FIG. 3 is a right side view thereof;
FIG. 4 is a rear view thereof;
FIG. 5 is a front view thereof;
FIG. 6 is a top view thereof;
FIG. 7 is a bottom view thereof; and,
FIG. 8 is a top left rear view thereof.
The portions of the metal hose cart illustrated in broken lines form no part of the claim.

1 Claim, 8 Drawing Sheets



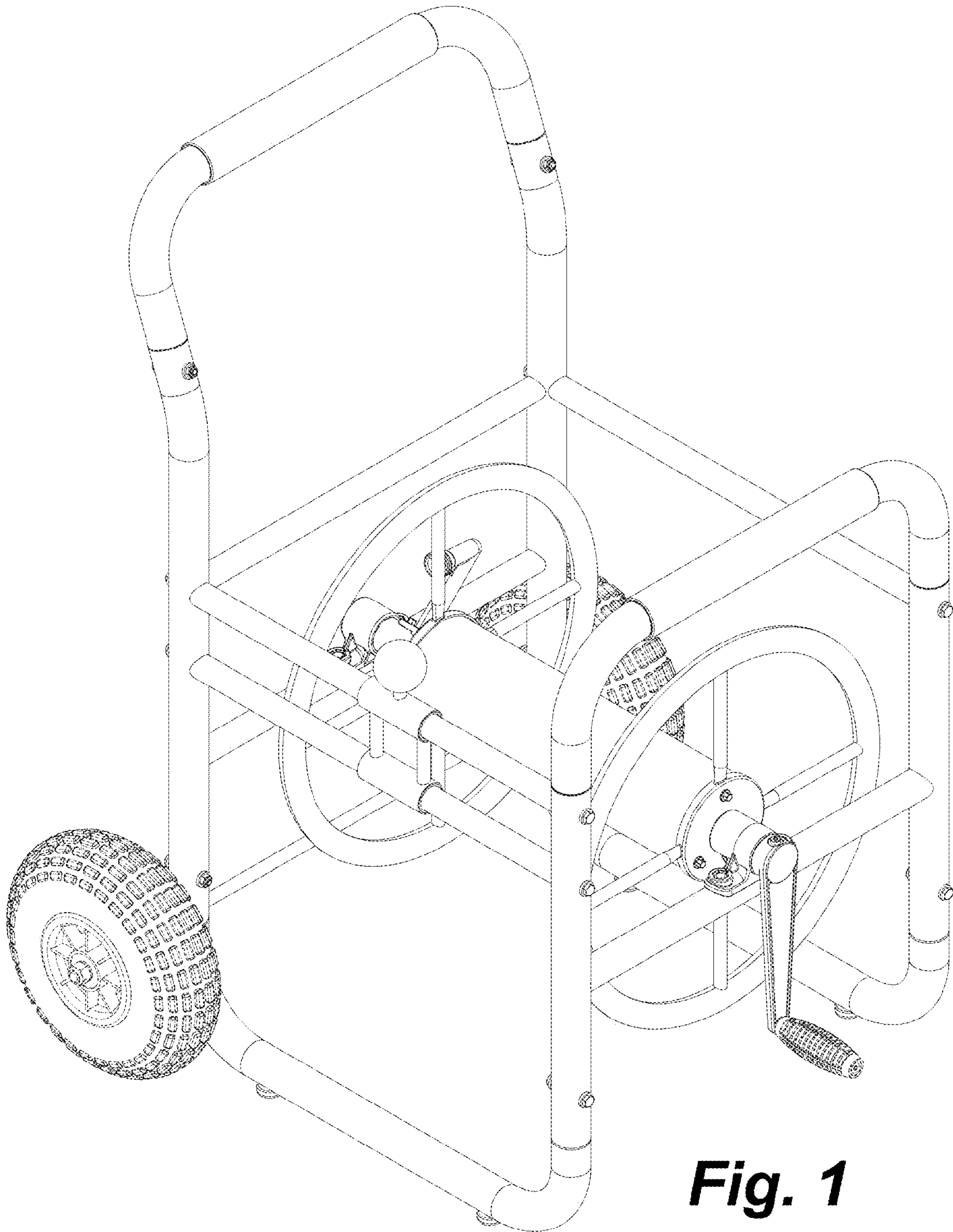


Fig. 1

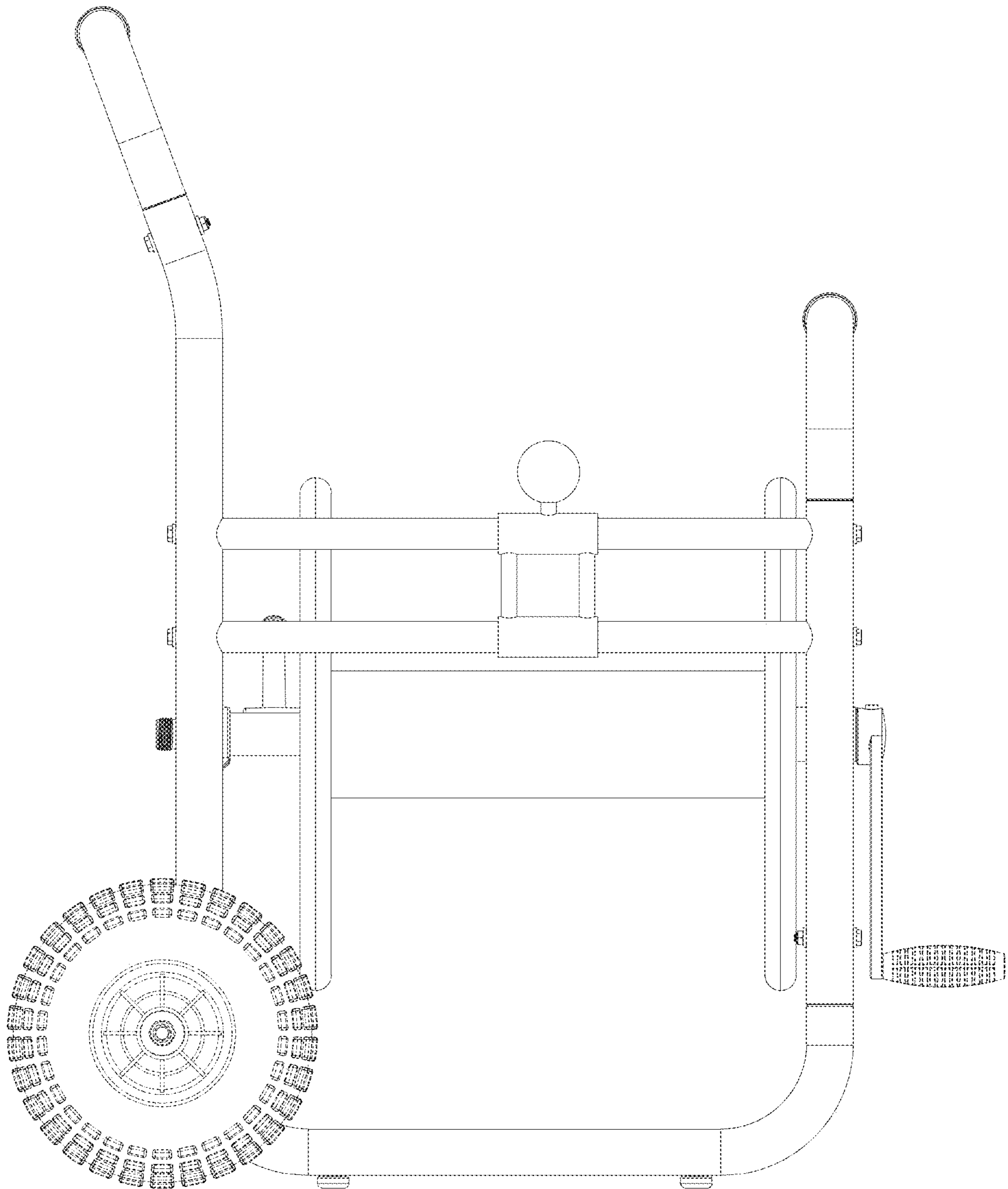


Fig. 2

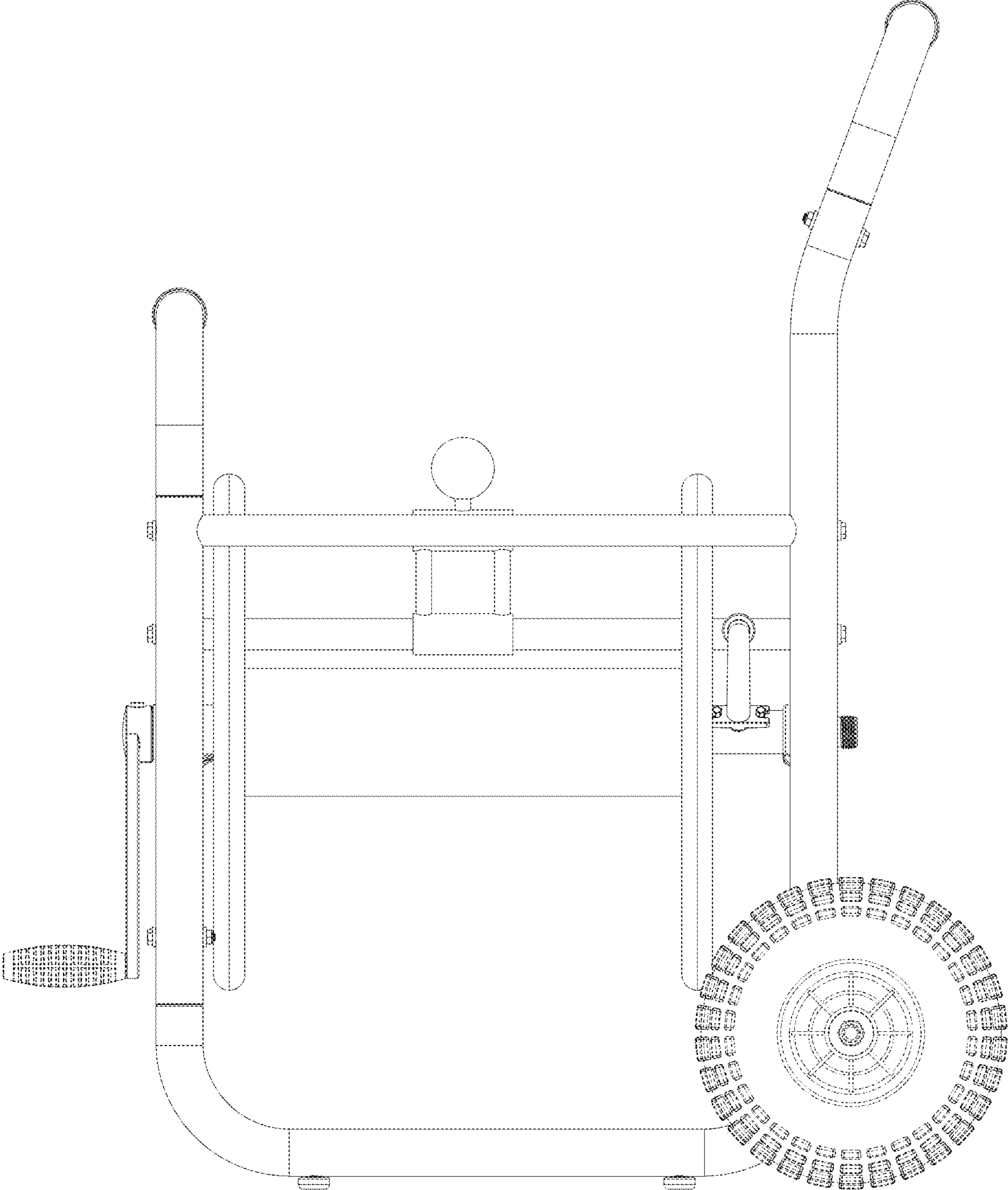


Fig. 3

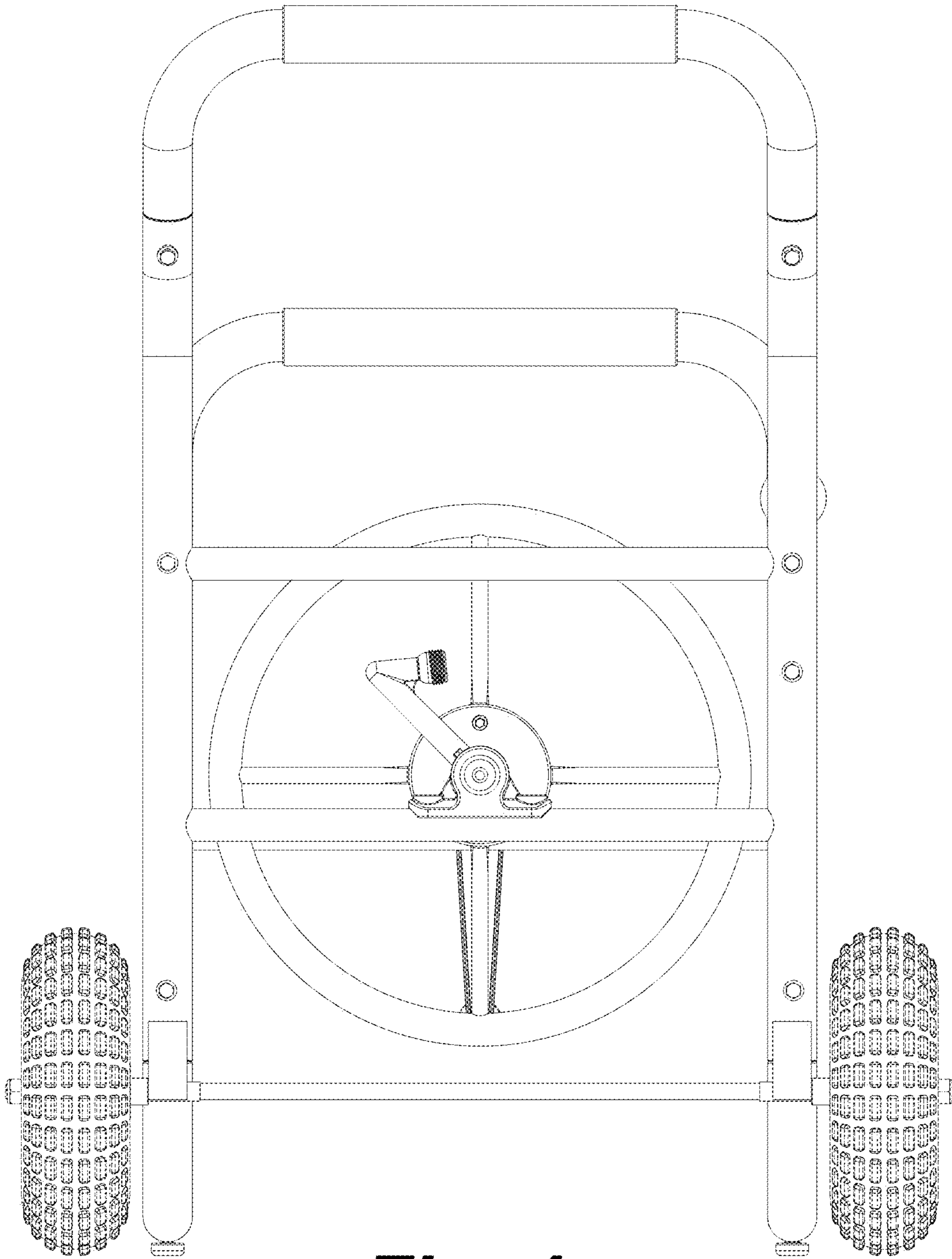


Fig. 4

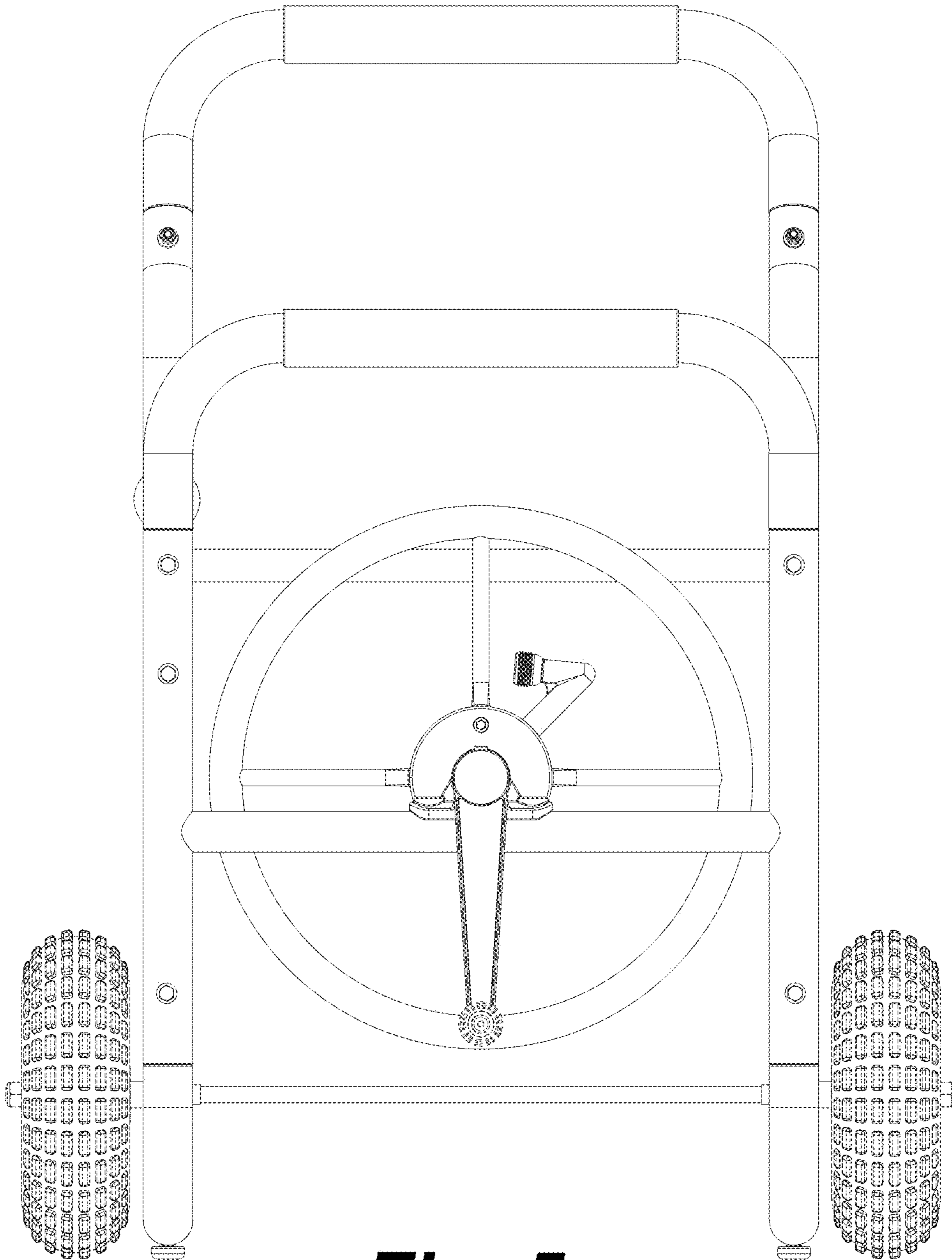


Fig. 5

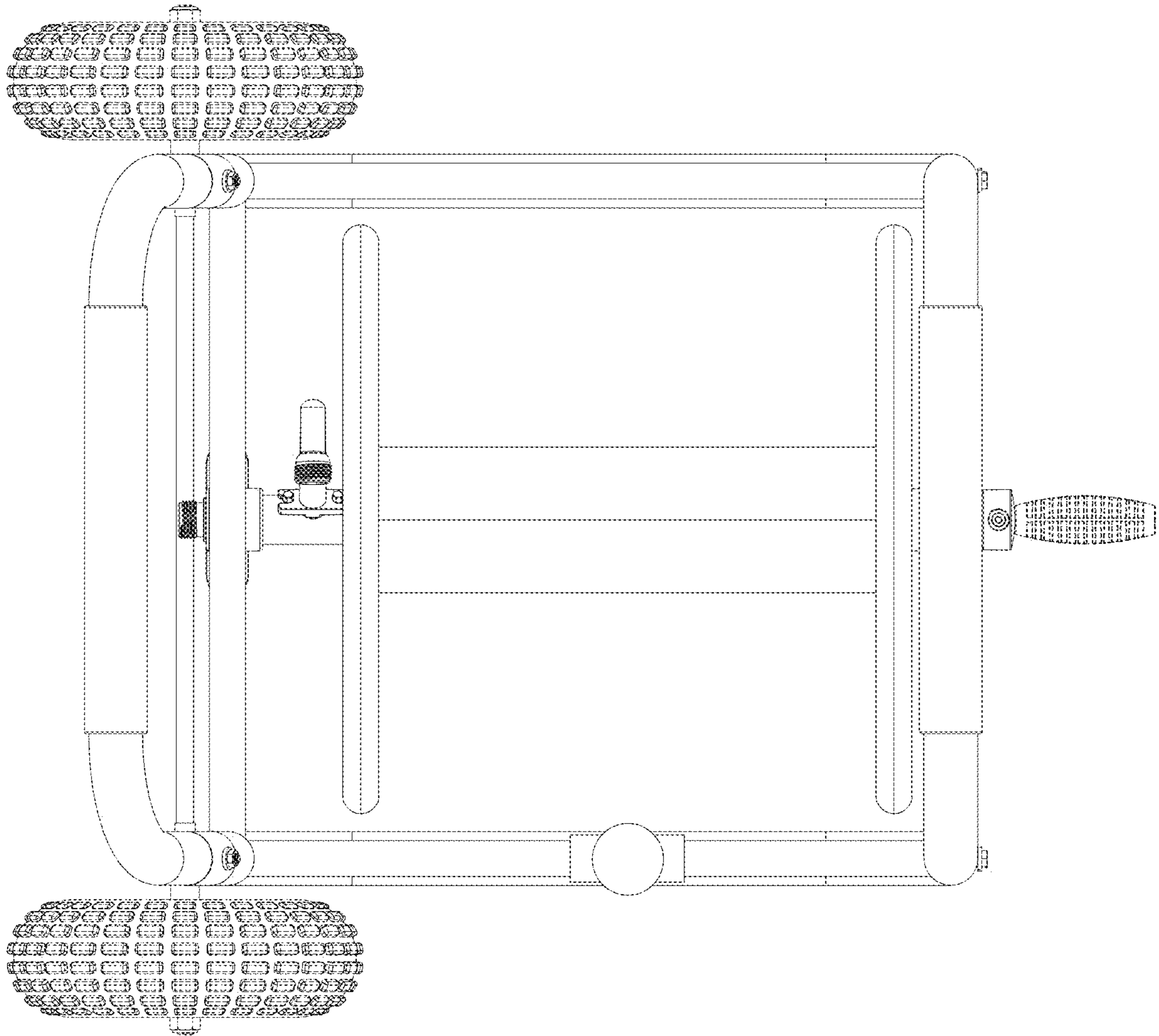


Fig. 6

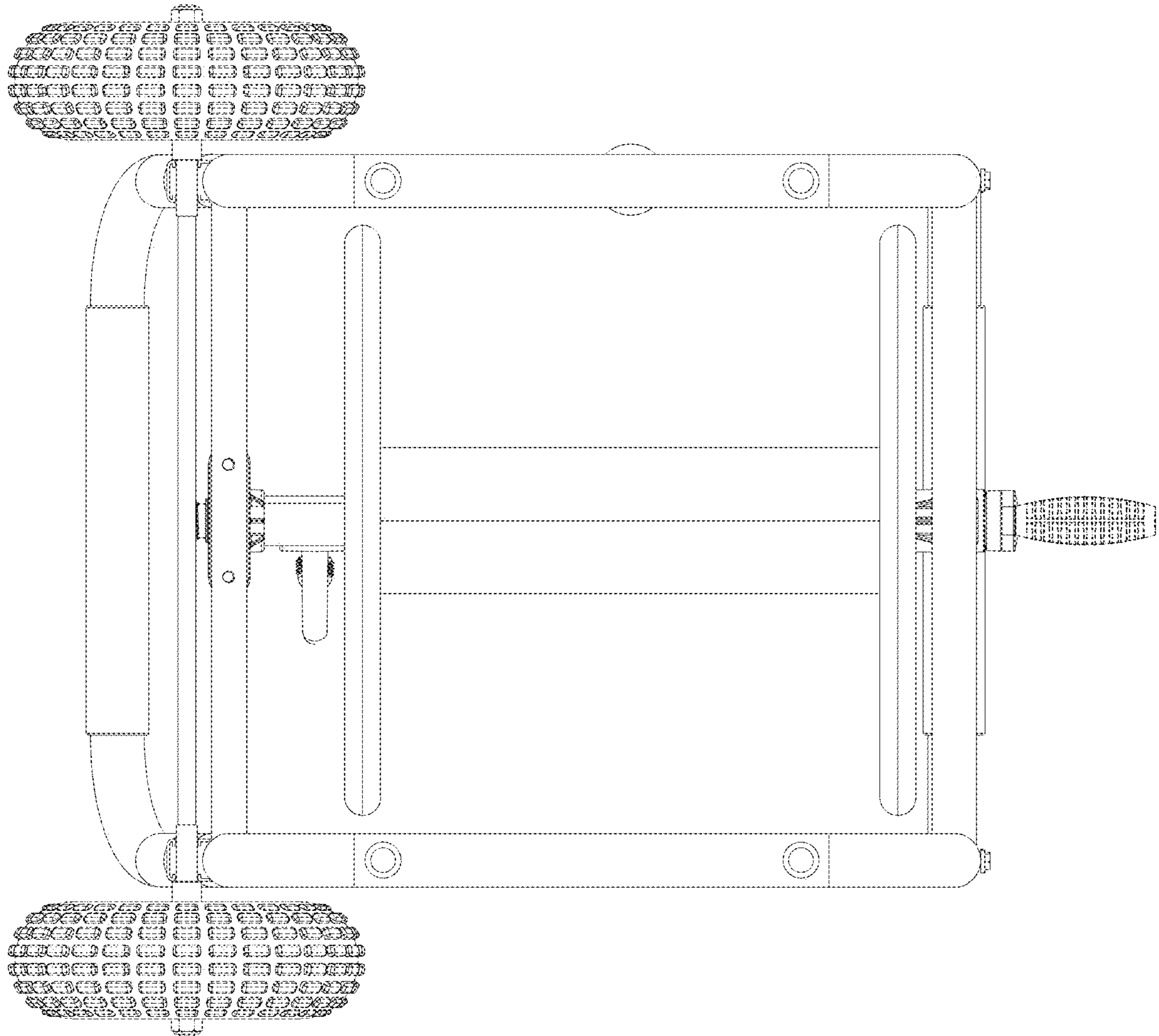


Fig. 7

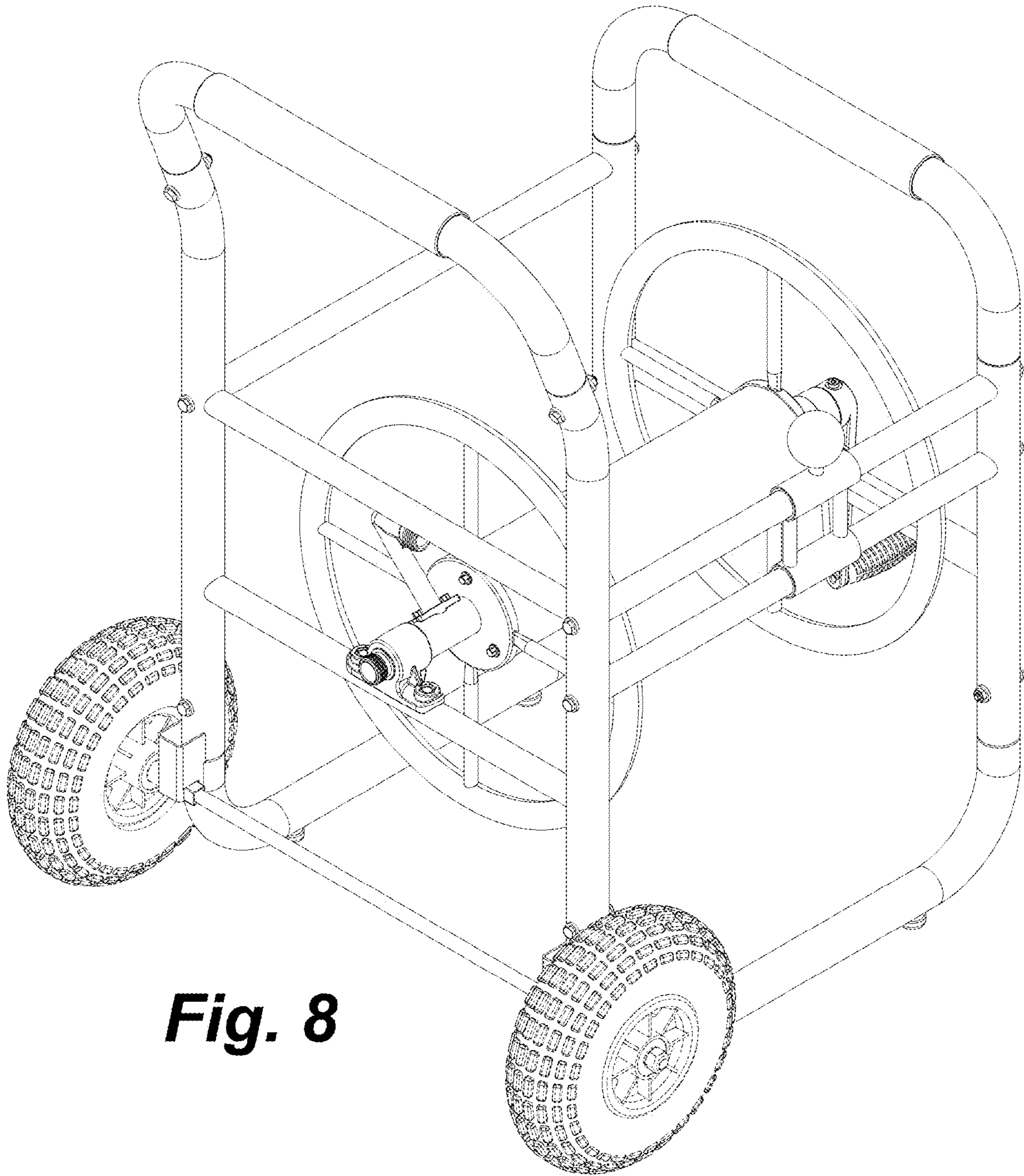


Fig. 8