



US00D938684S

(12) **United States Design Patent**
Zhang et al.

(10) **Patent No.:** **US D938,684 S**

(45) **Date of Patent:** **** Dec. 14, 2021**

(54) **DISH AND UTENSIL DRYING RACK**

(71) Applicants: **Zi Zhang**, Flushing, NY (US); **Lan Chen**, New York, NY (US)

(72) Inventors: **Zi Zhang**, Flushing, NY (US); **Lan Chen**, New York, NY (US)

(73) Assignee: **Best Brands Consumer Products, Inc.**, Merrick, NY (US)

(**) Term: **15 Years**

(21) Appl. No.: **29/731,110**

(22) Filed: **Apr. 12, 2020**

(51) **LOC (13) Cl.** **07-05**

(52) **U.S. Cl.**
USPC **D32/55**

(58) **Field of Classification Search**
USPC D32/55, 276, 3; D6/510, 525; D30/133;
211/41.5, 41.4, 41.3, 41.8; 361/679.4;
312/311, 333, 334.4; D7/354, 629
CPC .. A47L 15/505; A47L 15/503; A47L 15/0013;
A47L 19/02; A47L 19/04; A47J 47/20
See application file for complete search history.

(56) **References Cited**

U.S. PATENT DOCUMENTS

- 1,889,146 A * 11/1932 Kalenoff A47L 19/04
220/23.8
- D271,339 S * 11/1983 Lee D32/55
- D492,457 S * 6/2004 Soroka D32/55
- D640,433 S * 6/2011 Pargansky D32/55
- D689,350 S * 9/2013 Sudmalis D7/698
- D696,829 S * 12/2013 Huang D32/55
- D773,142 S * 11/2016 Green A47L 19/00
D32/55
- D822,930 S * 7/2018 Green D32/55

- D865,310 S * 10/2019 Baez D32/56
- D894,511 S * 8/2020 Peng D32/55
- D897,622 S * 9/2020 Klug D32/57
- D904,709 S * 12/2020 Gee, II D32/57
- D904,710 S * 12/2020 Gee, II D32/57

* cited by examiner

Primary Examiner — Austin Murphy

(74) *Attorney, Agent, or Firm* — Goldberg Cohen LLP

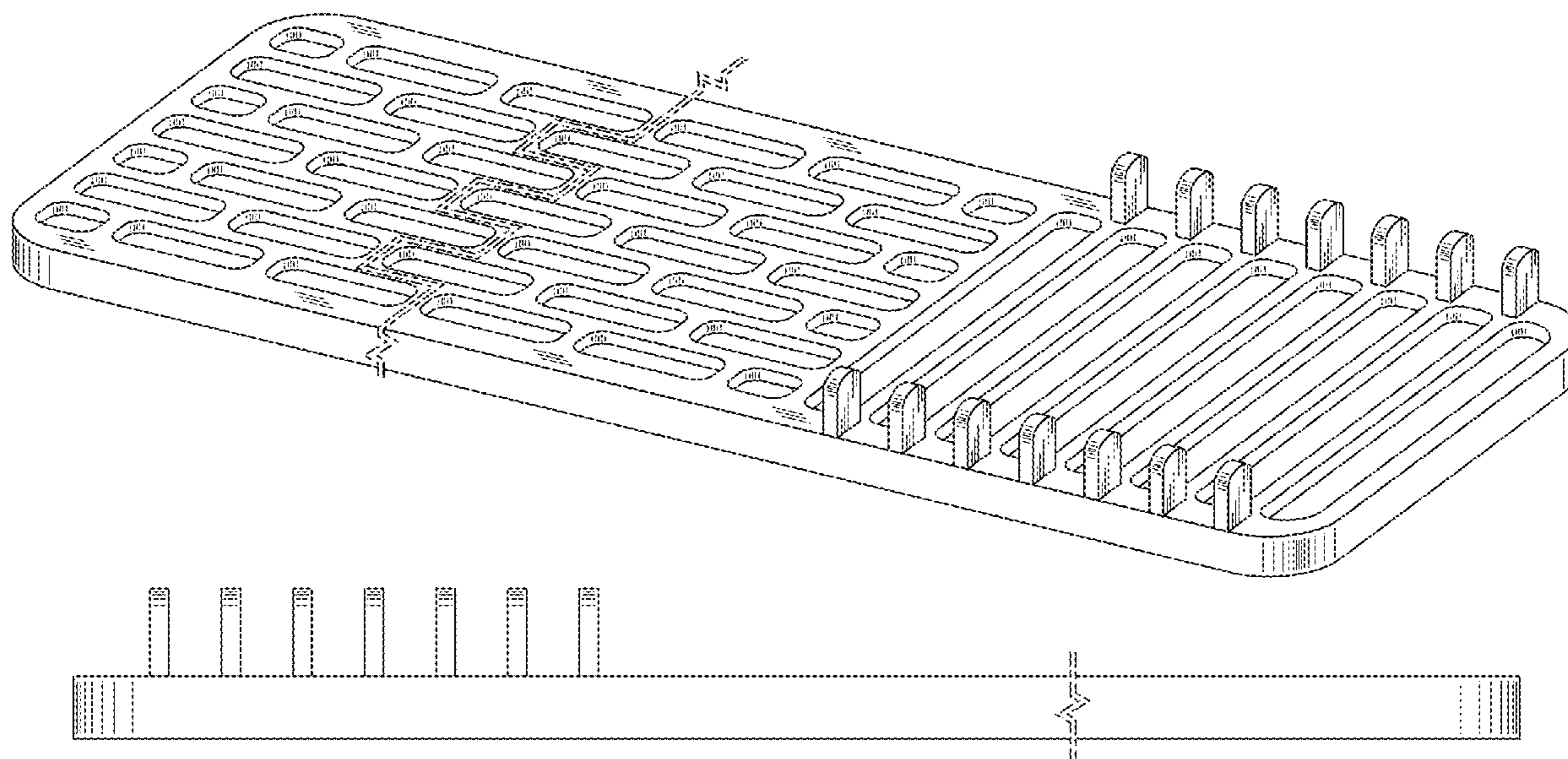
(57) **CLAIM**

We claim the ornamental design for a dish and utensil drying rack, as shown and described.

DESCRIPTION

FIG. 1 is an isometric top, right side view of a dish and utensil drying rack;
 FIG. 2 is an isometric bottom, right side view thereof;
 FIG. 3 is a top view thereof;
 FIG. 4 is a bottom view thereof;
 FIG. 5 is a left side view thereof;
 FIG. 6 is a right side view thereof;
 FIG. 7 is a front view thereof;
 FIG. 8 is a rear view thereof;
 FIG. 9 is a sectioned right elevation view thereof, the section being taken in a direction of section line 9-9 of FIG. 3;
 FIG. 10 is a sectioned left elevation view thereof, the section being taken in a direction of section line 10-10 of FIG. 3; and,
 FIG. 11 is a sectioned left elevation view thereof, the section being taken in a direction of section line 11-11 of FIG. 3.
 The evenly spaced broken lines in the drawings depict portions of the embodiments of the dish and utensil drying rack forming no part of the claim.

1 Claim, 9 Drawing Sheets



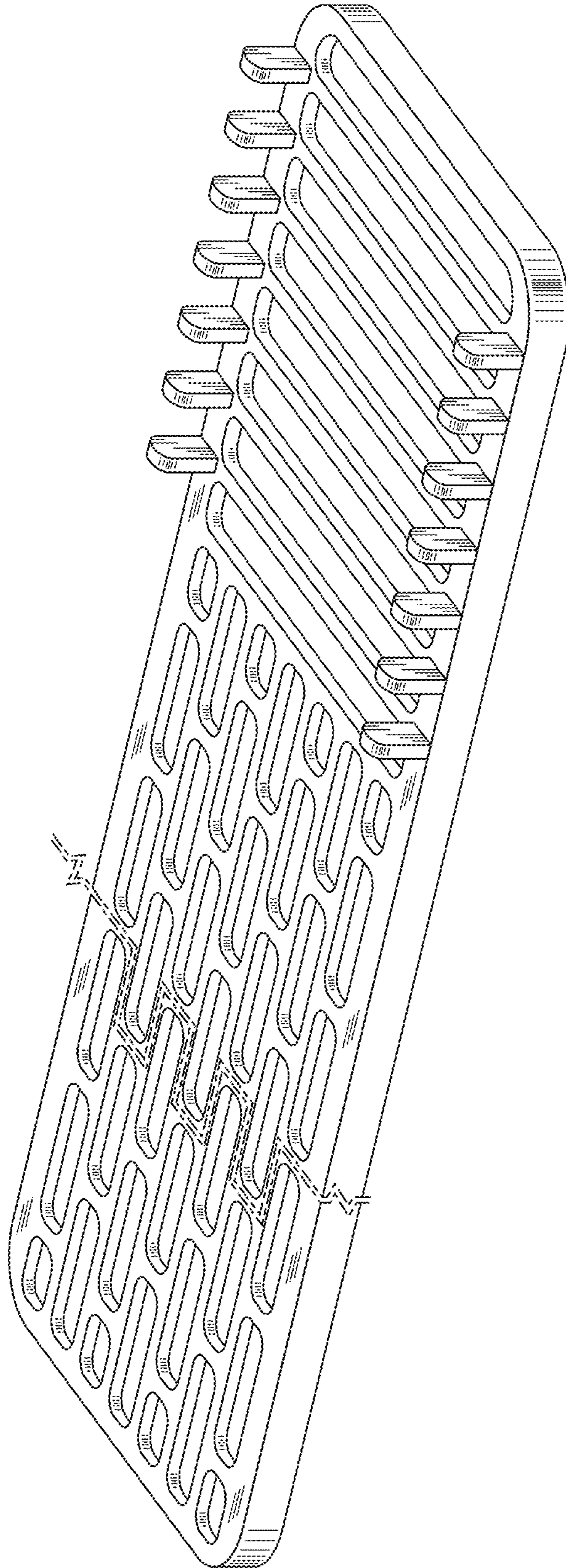


FIG. 1

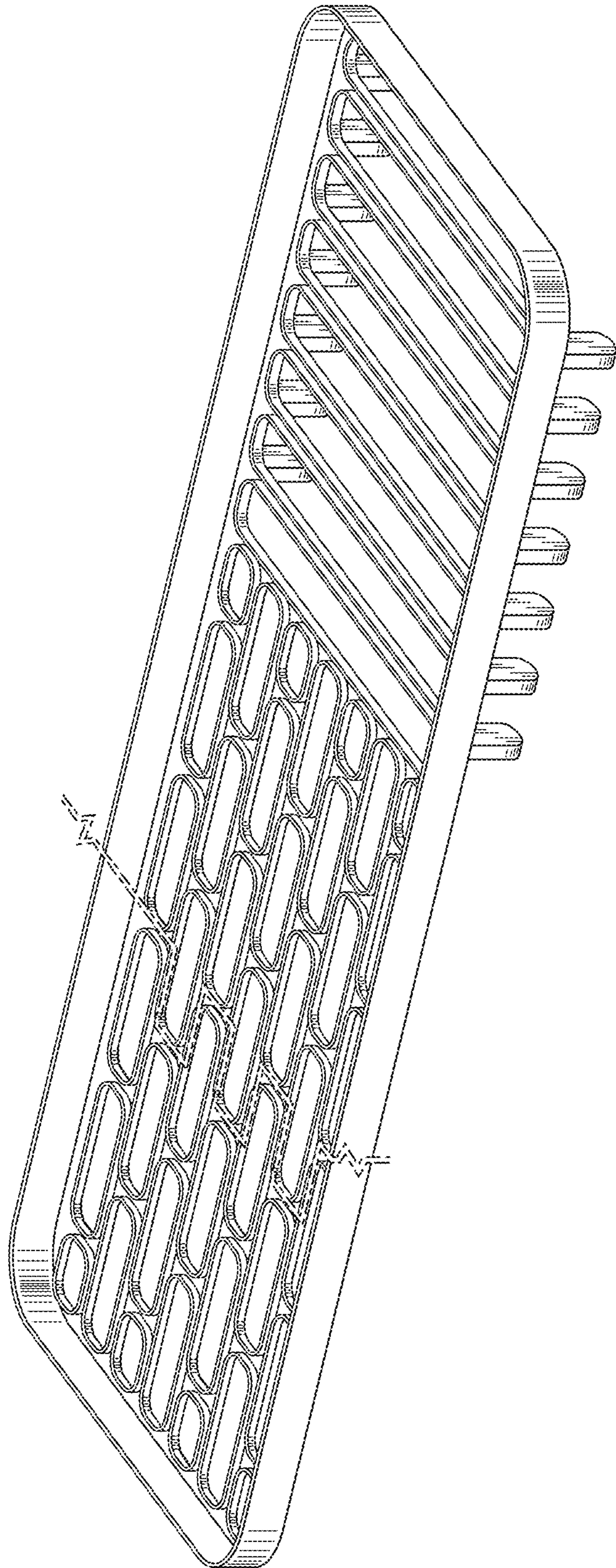


FIG. 2

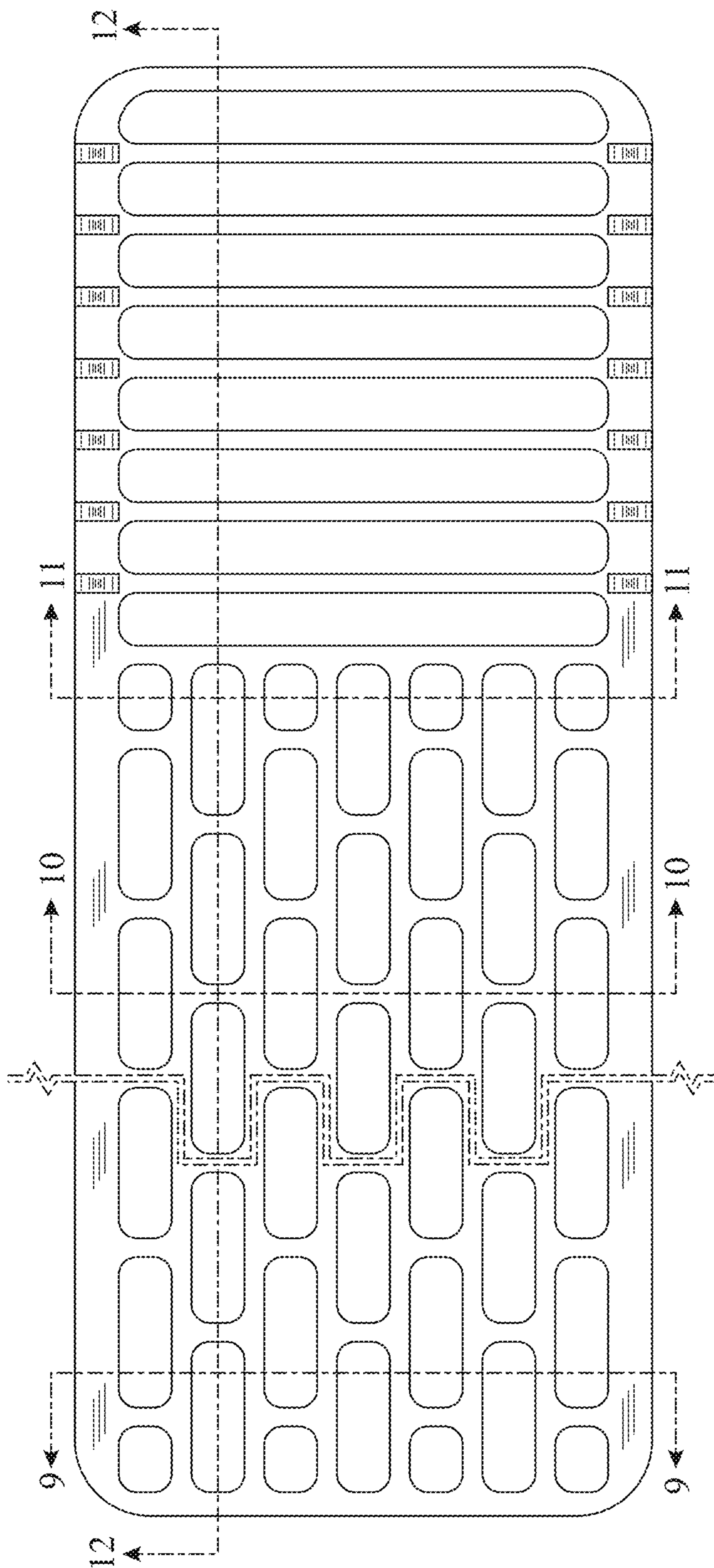


FIG. 3

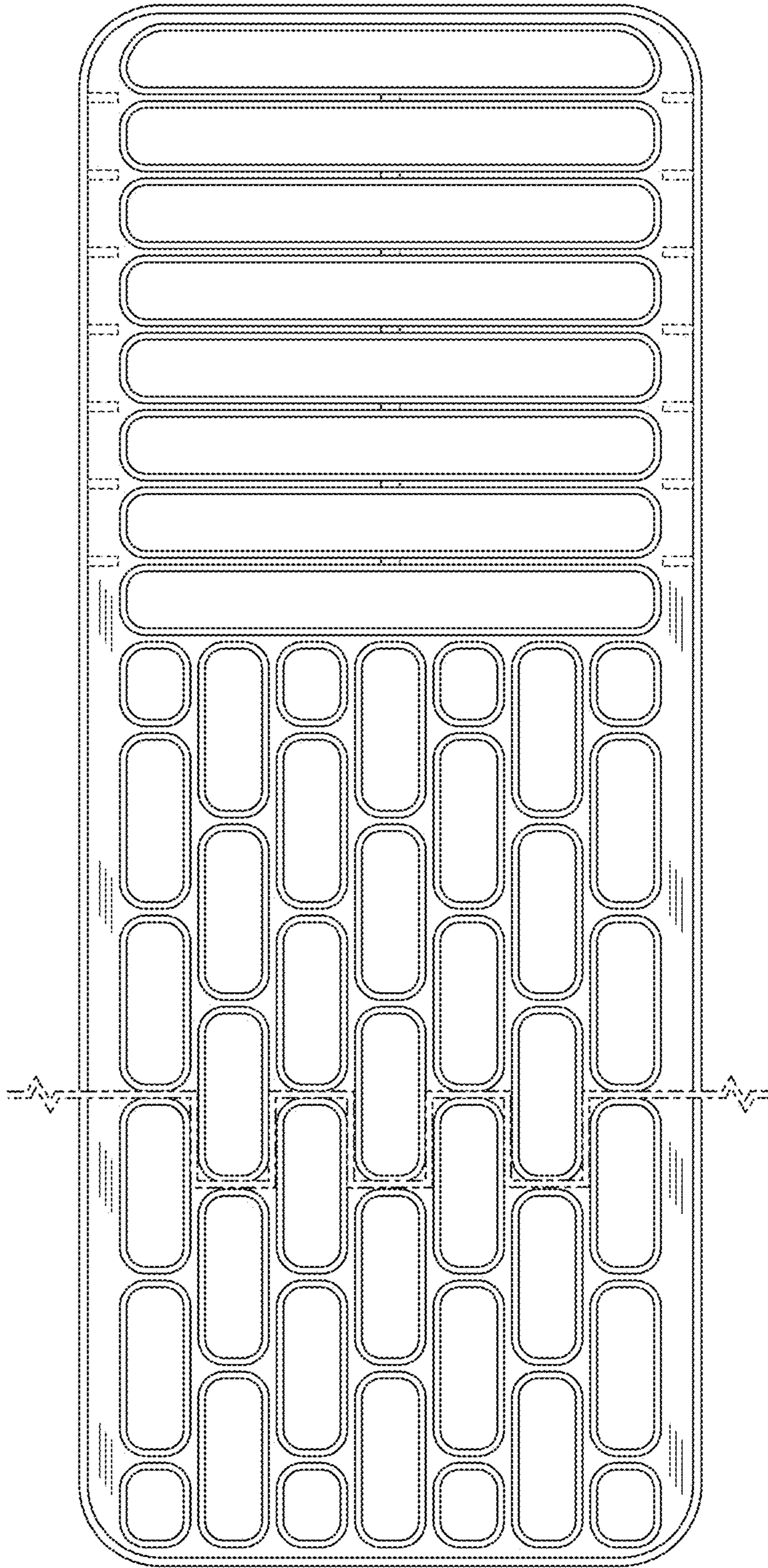


FIG. 4

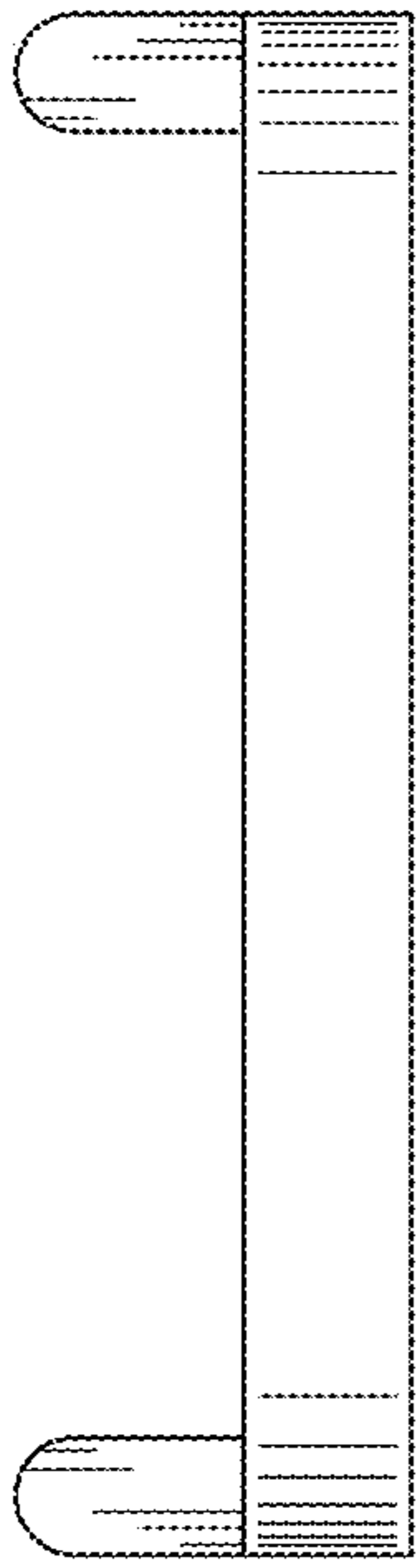


FIG. 5

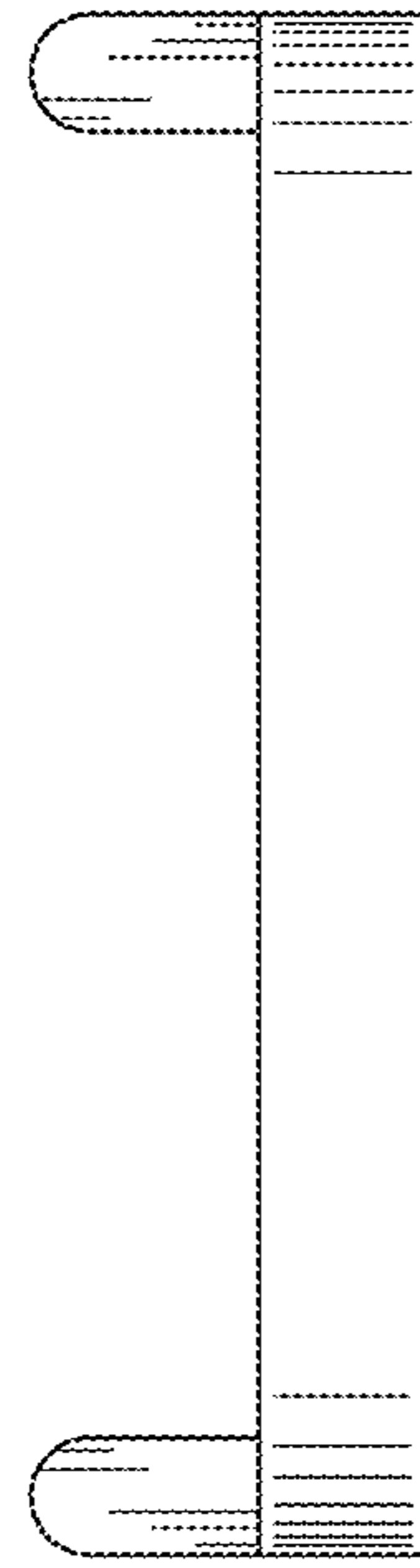


FIG. 6

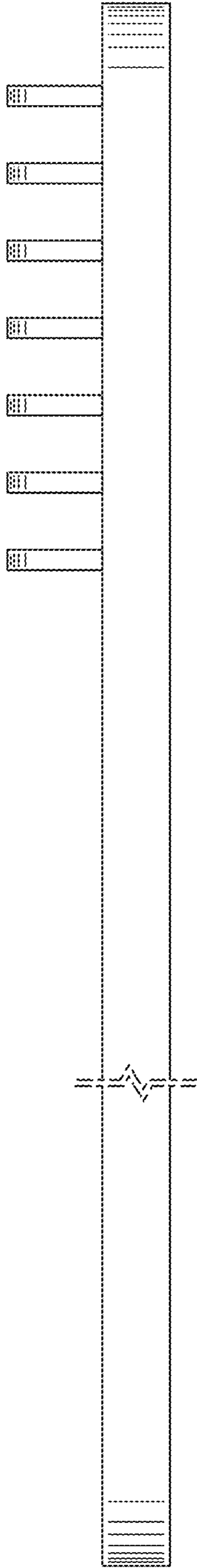


FIG. 7

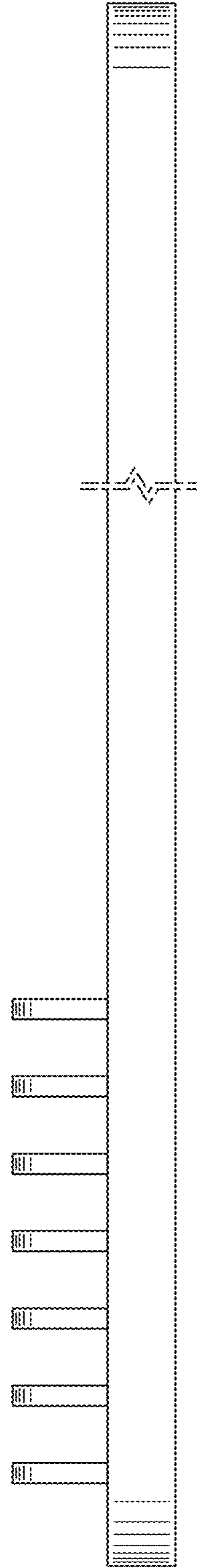


FIG. 8

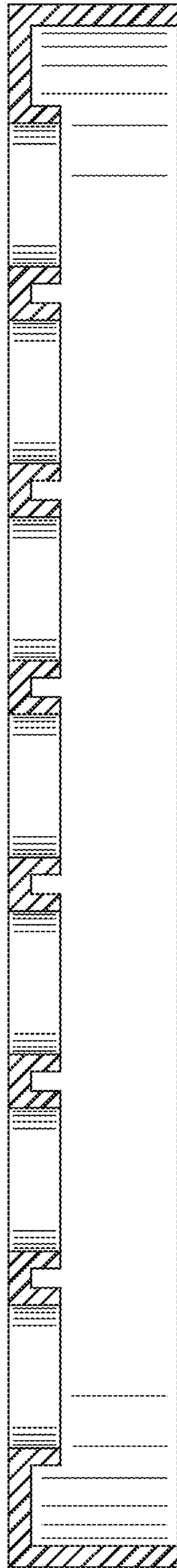


FIG. 9

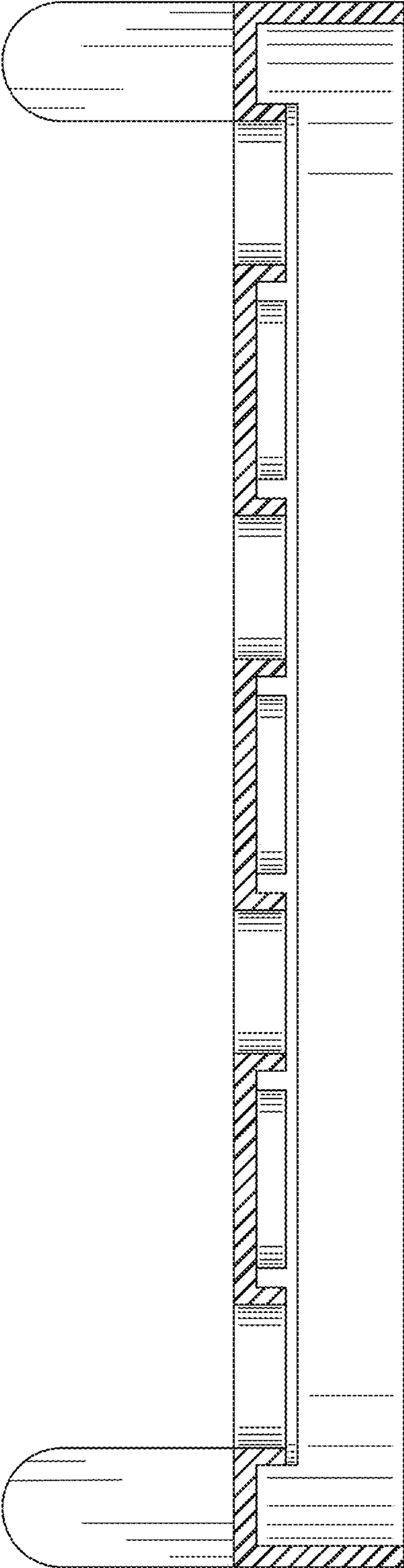


FIG. 10

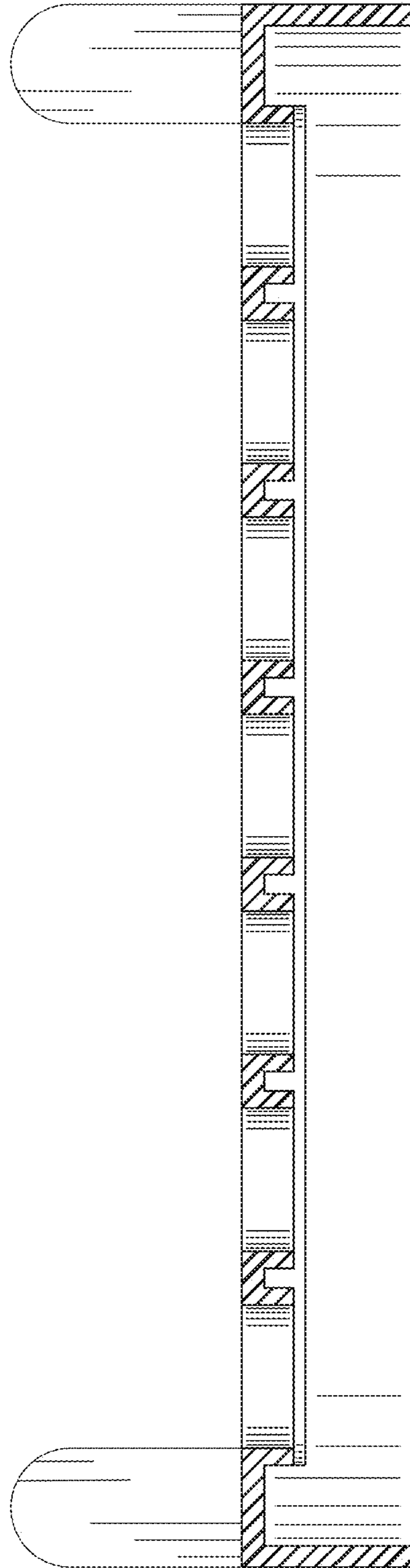


FIG. 11