



US00D938681S

(12) **United States Design Patent**
Anderson et al.

(10) **Patent No.:** **US D938,681 S**

(45) **Date of Patent:** **** Dec. 14, 2021**

(54) **ICE SCRAPER**

(71) Applicant: **SUNCAST TECHNOLOGIES, LLC**,
Palm Beach Gardens, FL (US)

(72) Inventors: **Torrence Anderson**, Overland Park, IL
(US); **Dov Blitzler**, Naperville, IL (US);
Kent J. Martin, Geneva, IL (US);
Stephen Whitehead, Elgin, IL (US)

(73) Assignee: **Suncast Technologies, LLC**, Palm
Beach Gardens, FL (US)

(**) Term: **15 Years**

(21) Appl. No.: **29/716,336**

(22) Filed: **Dec. 9, 2019**

(51) **LOC (13) Cl.** **07-05**

(52) **U.S. Cl.**
USPC **D32/46**

(58) **Field of Classification Search**
USPC D32/46-47, 49-52; D7/688; D8/105,
D8/99; D4/118, 124, 102; D21/789
CPC A47L 13/10; A47L 13/12; A47L 23/00;
A47L 23/04; B26B 5/00
See application file for complete search history.

(56) **References Cited**

U.S. PATENT DOCUMENTS

3,363,316	A	*	1/1968	Skarsten	B44C 7/027
						30/171
D246,414	S	*	11/1977	Hopkins	D32/46
D247,278	S	*	2/1978	Dunn, Jr.	D32/46
D268,215	S	*	3/1983	McBride	D32/49
D312,155	S	*	11/1990	Saunders	D32/46
D320,483	S	*	10/1991	Desautel	D32/46
D343,559	S	*	1/1994	Liberty	D8/45
D345,887	S	*	4/1994	Heiberg	D32/46
D355,281	S	*	2/1995	Hansen	D32/46
D362,936	S	*	10/1995	Shabel	D32/46
D365,180	S	*	12/1995	Brookfield	D32/48
D434,888	S	*	12/2000	Hendricks	D32/46

D487,685	S	*	3/2004	Zeilinger	D32/46
D499,851	S	*	12/2004	Kortleven	D32/46
D499,852	S	*	12/2004	Trunecek	D32/46
D552,316	S	*	10/2007	Bloch	D32/46
D554,315	S	*	10/2007	Schouten	D32/52
D578,262	S	*	10/2008	Trotter	D32/52
D607,297	S	*	1/2010	Ali	D8/90
D624,262	S	*	9/2010	Gringer	D32/46
D793,017	S	*	7/2017	Woods	D32/42
D841,271	S	*	2/2019	Motsenbocker	D32/46
10,383,500	B2	*	8/2019	Magnani	B26B 5/005
D868,409	S	*	11/2019	Kauffman	D32/46
D901,809	S	*	11/2020	De La Torre	D32/46
D902,514	S	*	11/2020	Veldkamp	D32/41

OTHER PUBLICATIONS

Amazon.com : Magical Car Ice Scraper, reviews 2020, https://www.amazon.com/Magical-Car-Ice-Scraper-Cone-Shaped/dp/B08M6H6TXJ/ref=sr_1_28?dchild=1&keywords=ice+scraper&qid=1609552998&sr=8-28#customerReviews, site visited Jan. 1, 2021.*

* cited by examiner

Primary Examiner — John R Yeh

(74) *Attorney, Agent, or Firm* — McHale & Slavin, P.A.

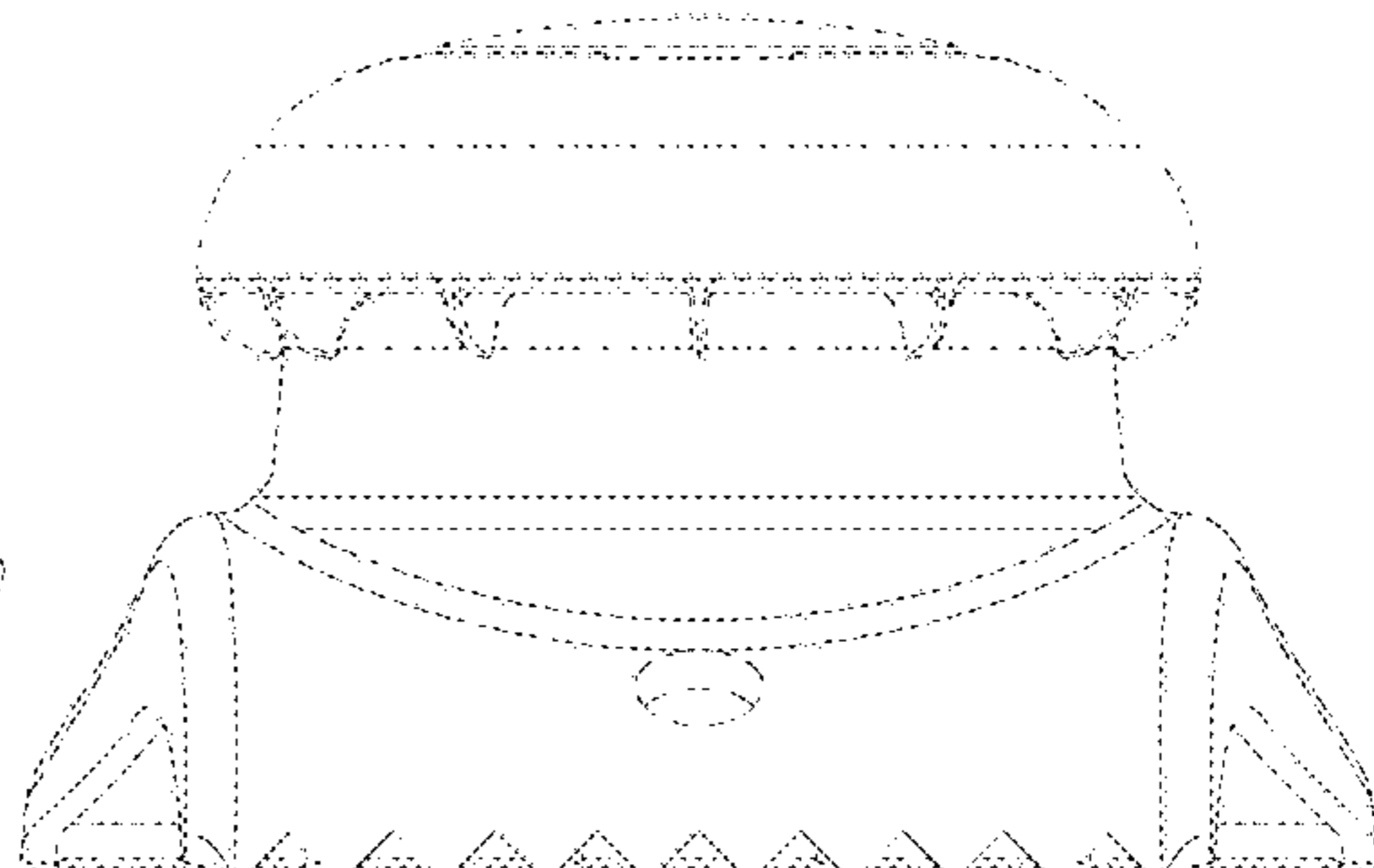
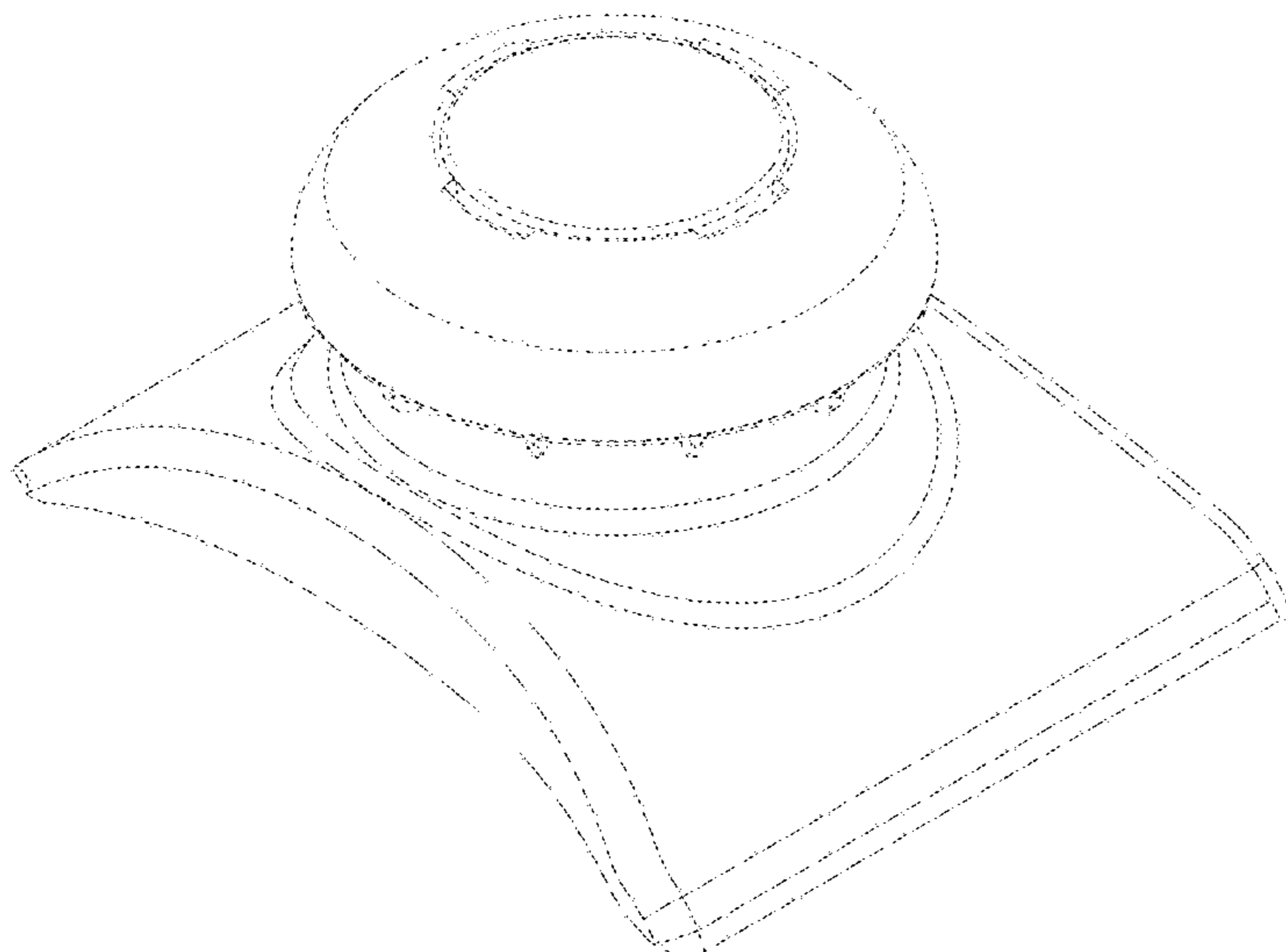
(57) **CLAIM**

The ornamental design for an ice scraper, as shown and described.

DESCRIPTION

FIG. 1 is a top front right perspective view of the ice scraper of the present invention;
FIG. 2 is a front view thereof;
FIG. 3 is a rear view thereof;
FIG. 4 is a right side view thereof;
FIG. 5 is a left side view thereof;
FIG. 6 is a top view thereof; and,
FIG. 7 is a top rear right view thereof.
The broken lines in the figures illustrate portions of the ice scraper that form no part of the claimed design.

1 Claim, 7 Drawing Sheets



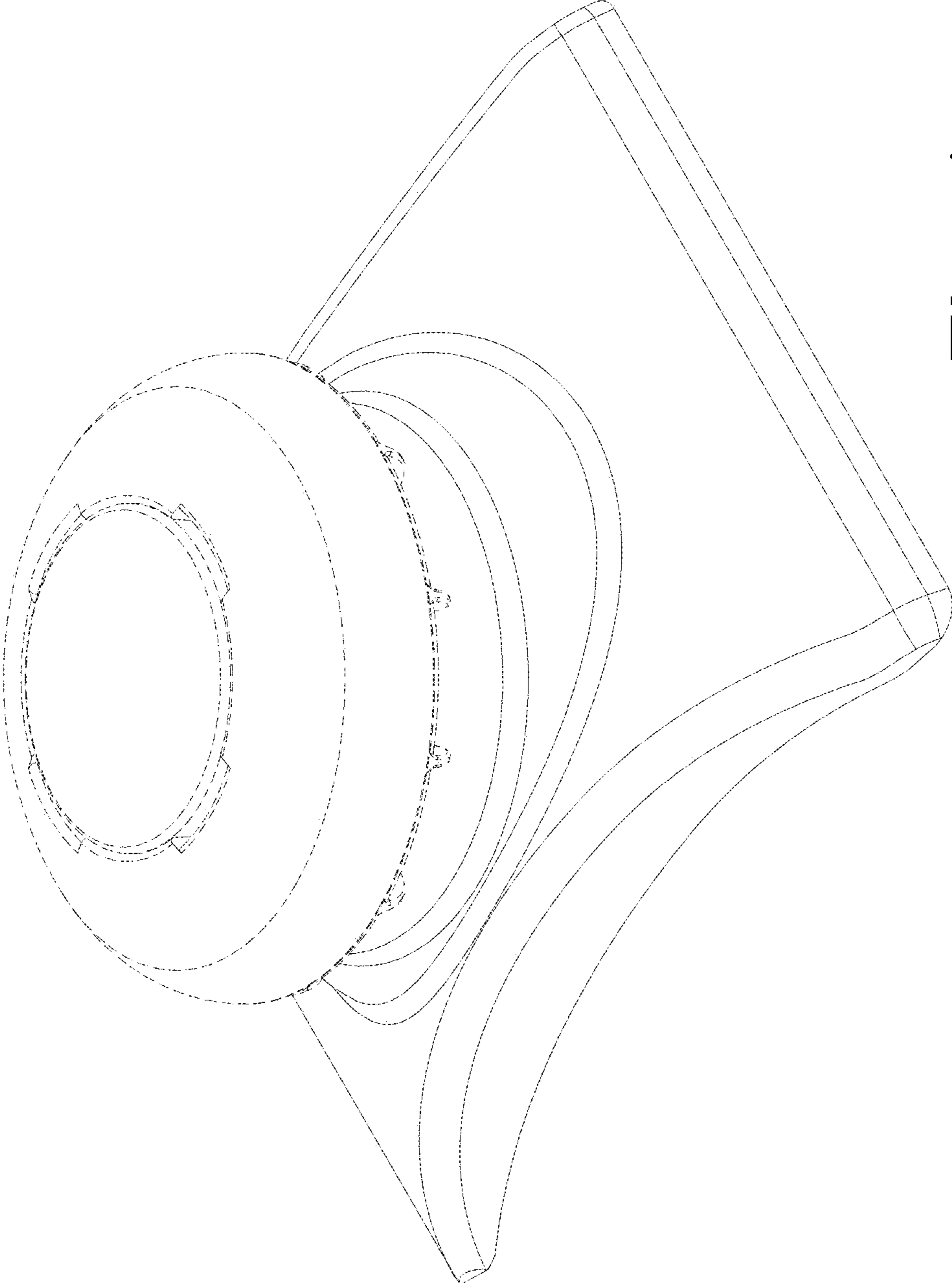


Fig. 1

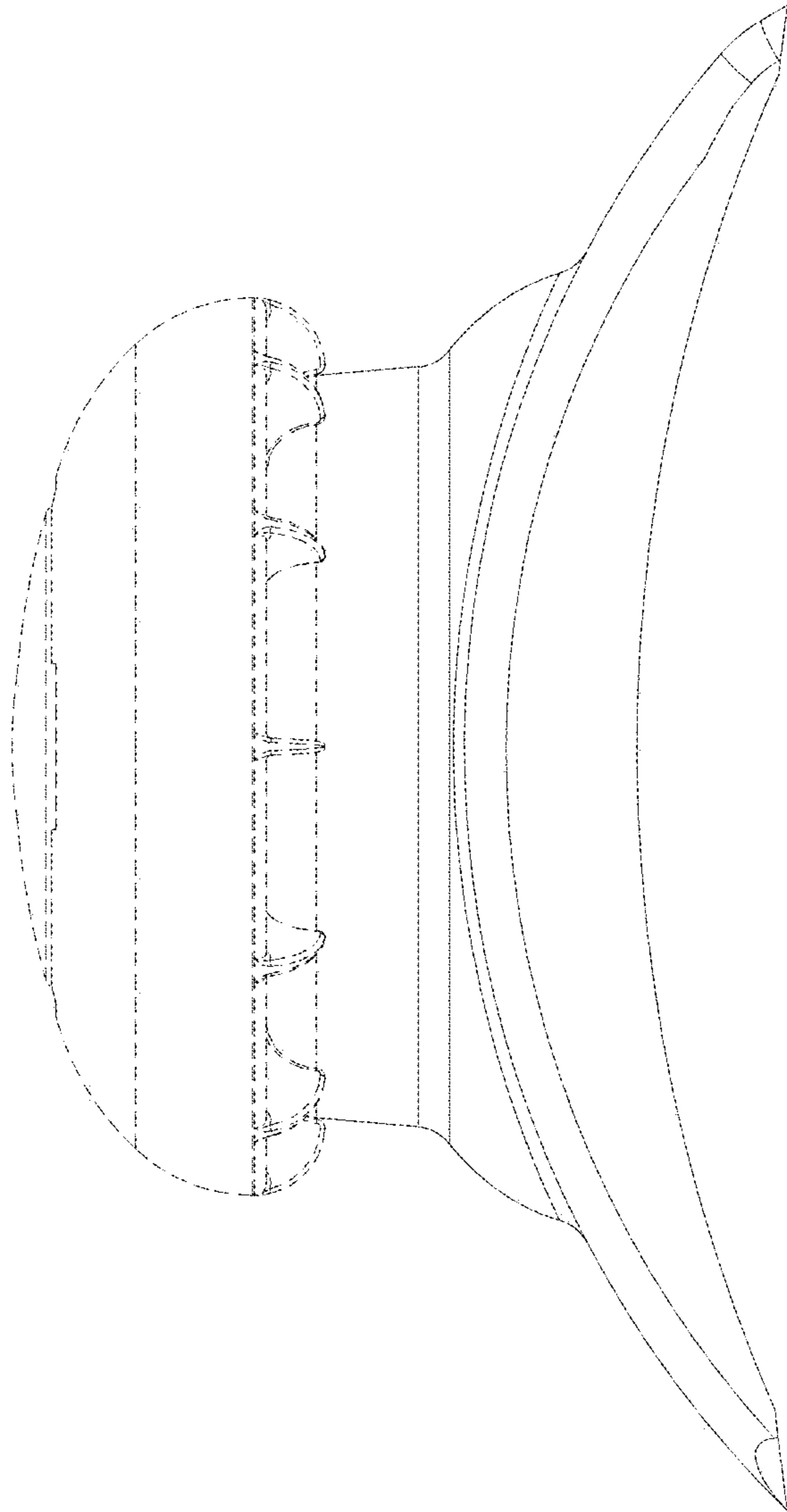


Fig. 2

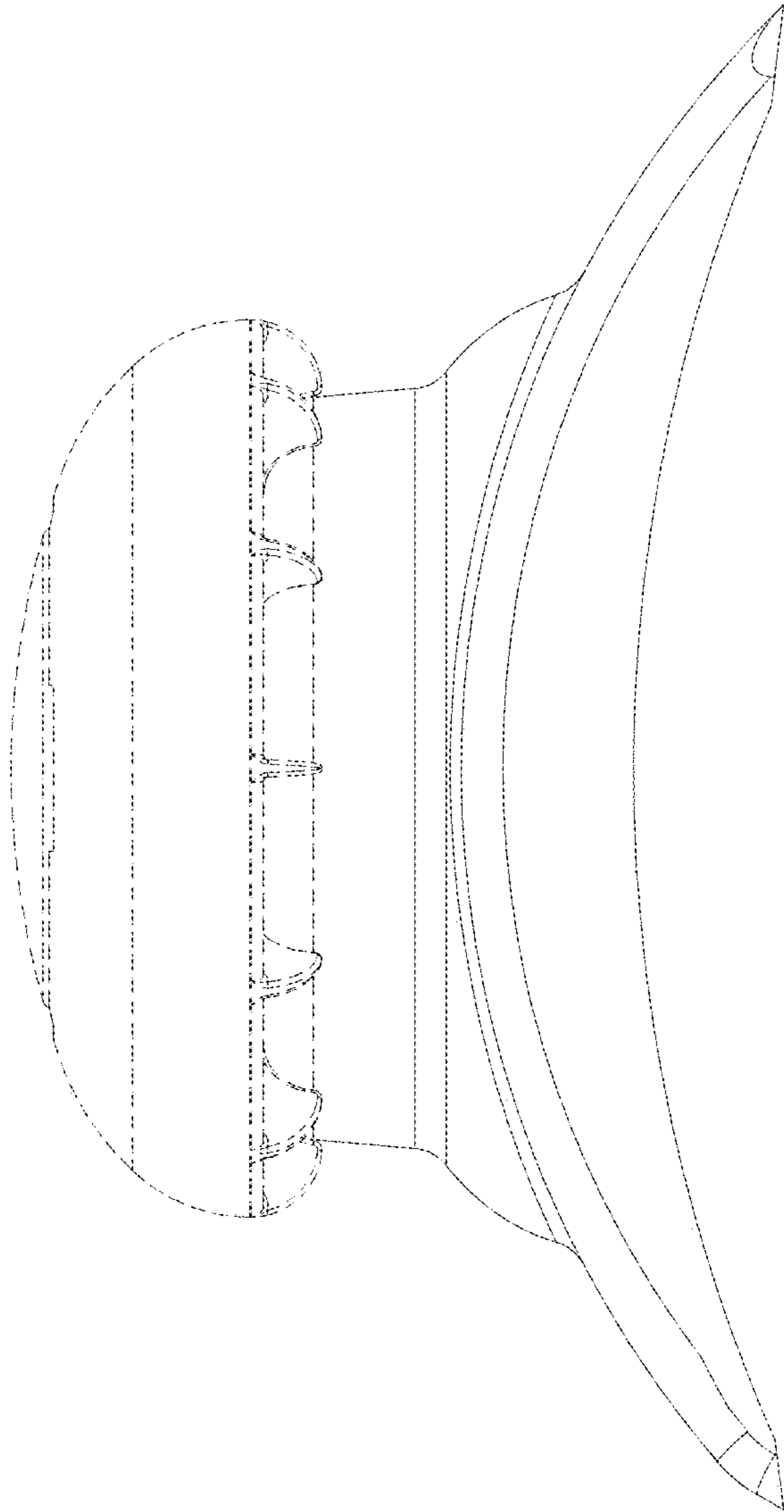


Fig. 3

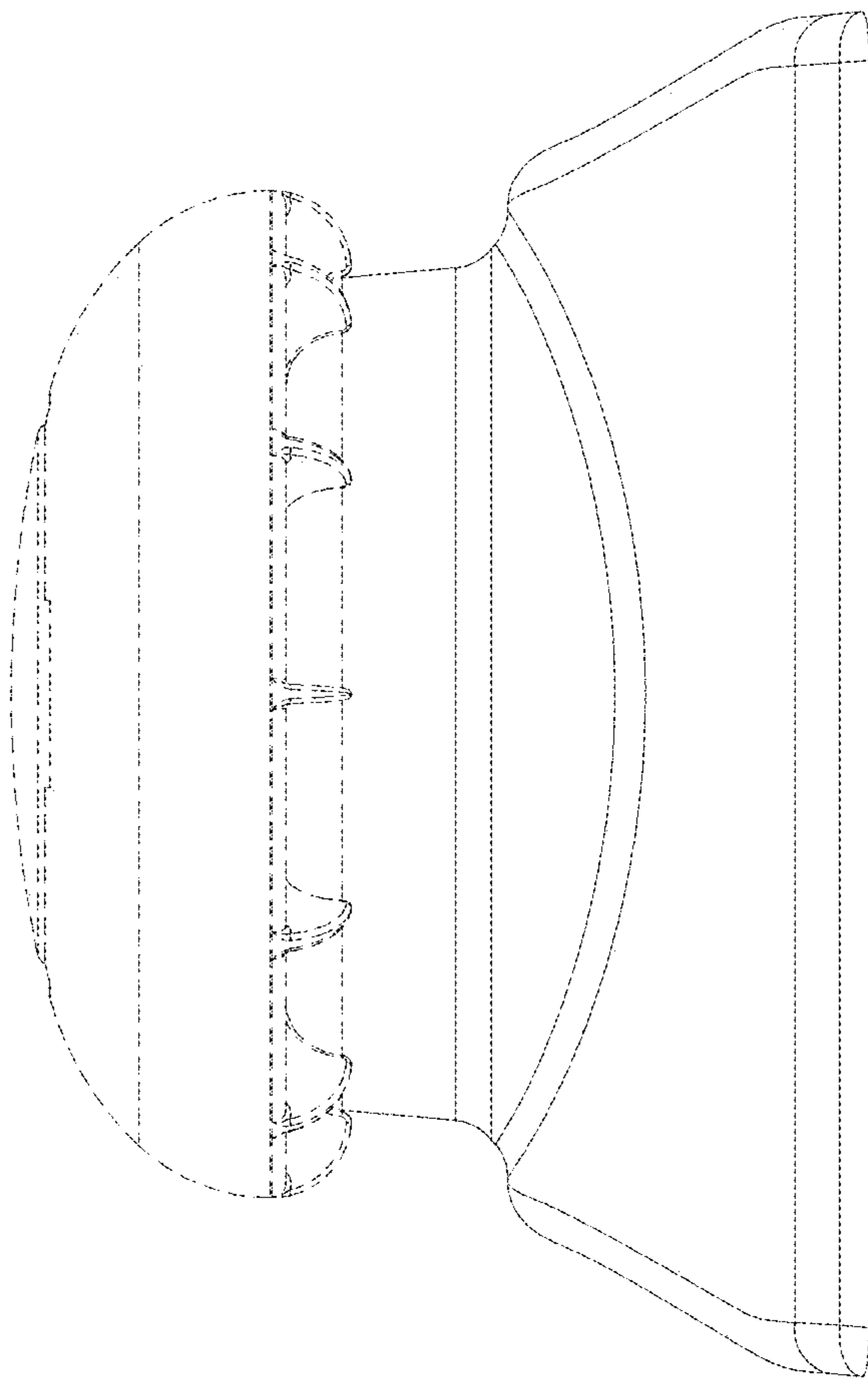


Fig. 4

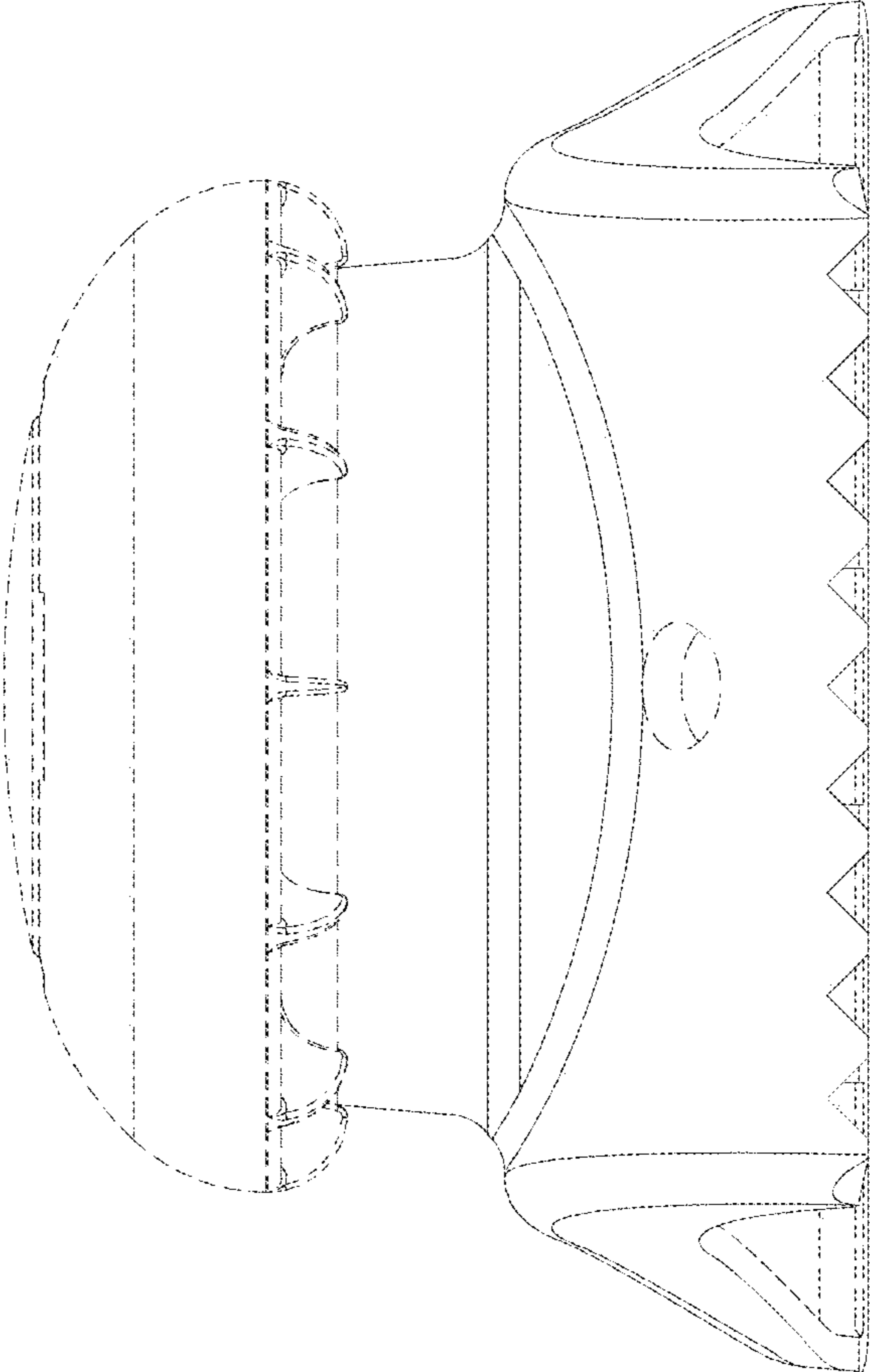


Fig. 5

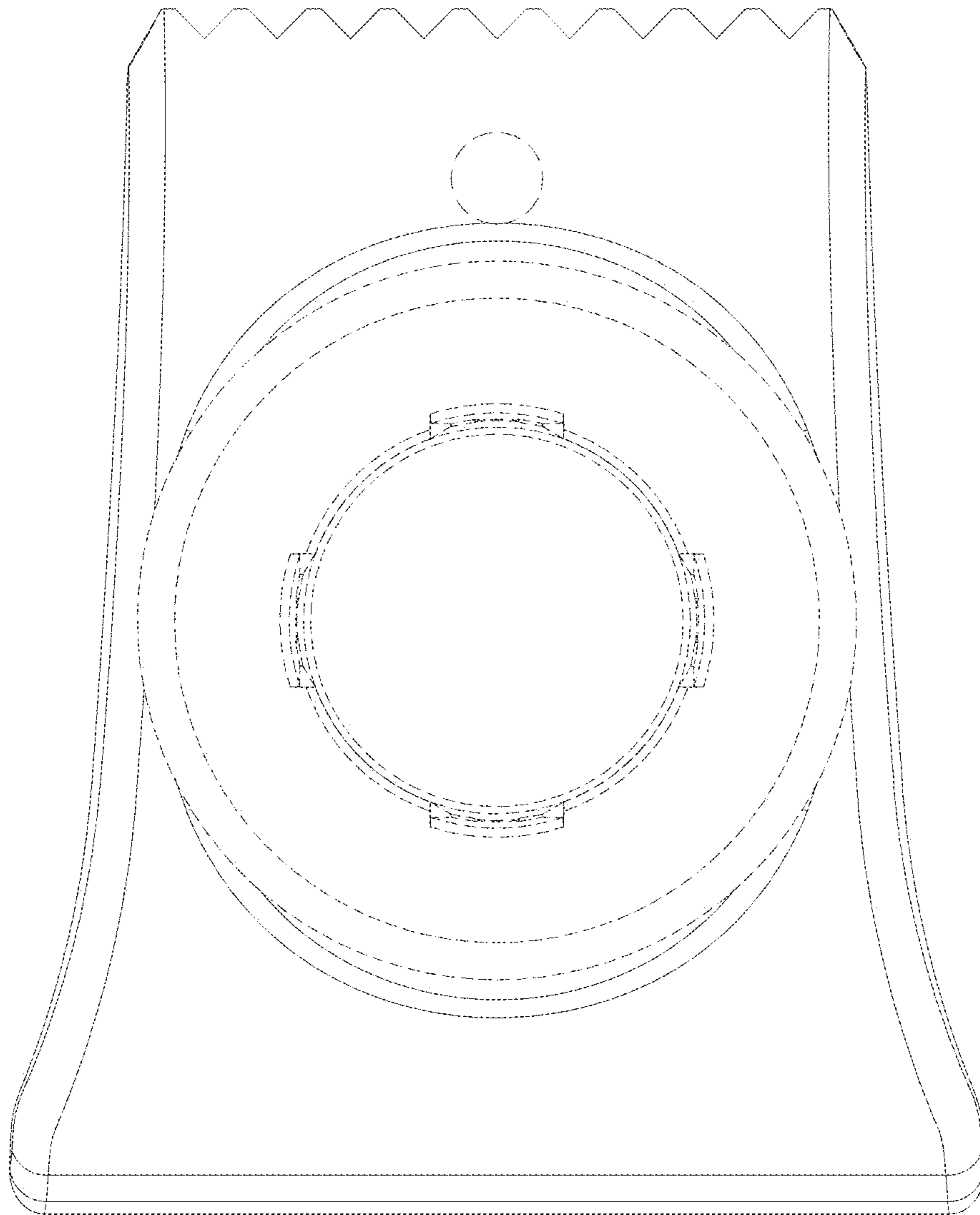


Fig. 6

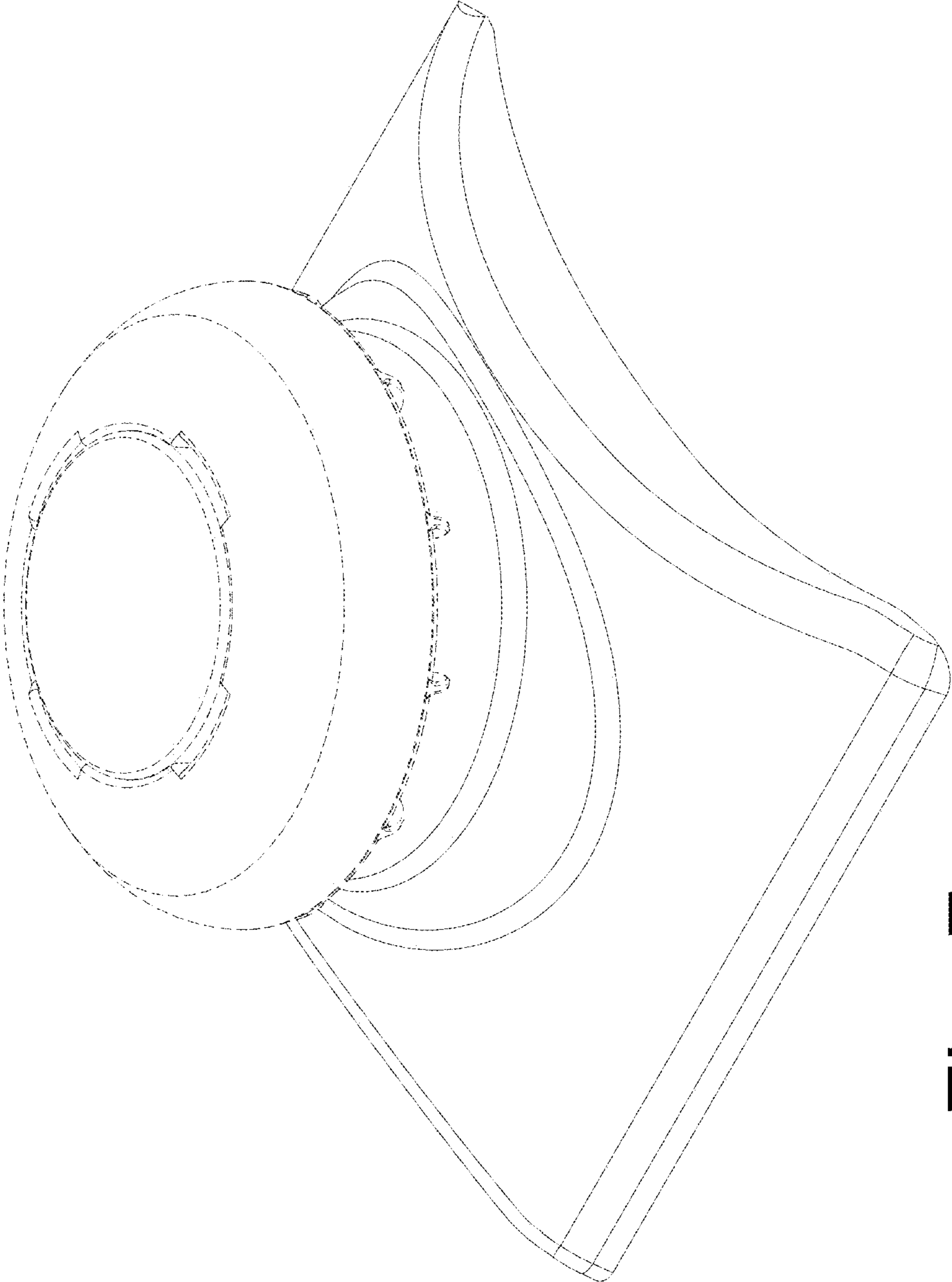


Fig. 7