



US00D938679S

(12) **United States Design Patent**
Greenblatt et al.

(10) **Patent No.:** **US D938,679 S**
(45) **Date of Patent:** **** Dec. 14, 2021**

- (54) **TRAY**
- (71) Applicant: **Marlin Steel Wire Products LLC**,
Baltimore, MD (US)
- (72) Inventors: **Drew A. Greenblatt**, Potomac, MD
(US); **Andrew Montgomery**, Laurel,
MD (US); **Richard Bates**, Baltimore,
MD (US)
- (73) Assignee: **MARLIN STEEL WIRE**
PRODUCTS, LLC, Baltimore, MD
(US)
- (**) Term: **15 Years**
- (21) Appl. No.: **29/685,188**
- (22) Filed: **Mar. 27, 2019**
- (51) **LOC (13) Cl.** **15-05**
- (52) **U.S. Cl.**
USPC **D32/25; D34/38**
- (58) **Field of Classification Search**
USPC D7/553.1, 553.2, 553.4, 553.5, 553.6,
D7/553.8, 562, 701, 704, 707; D9/456,
D9/737; D3/306, 311-314, 304, 310,
D3/319; D24/227-230, 232; D32/1, 4,
D32/25, 35, 55, 58, 59; D34/35, 38
CPC B65D 71/00; B65D 71/0003;
B65D 71/0007; B65D 2581/3479; B65D
90/0073; A47G 23/0641; Y10S 220/02;
A47L 15/1501
See application file for complete search history.

- 1,640,184 A * 8/1927 Eaton A47G 23/0208
220/572
- 1,904,969 A * 4/1933 Cavano A47L 19/04
206/512
- 2,459,921 A * 1/1949 Comer B65D 71/0003
220/512
- 2,741,392 A * 4/1956 Weiss A47L 19/04
220/488
- D193,108 S * 6/1962 Ettliger, Jr. D32/3
(Continued)

FOREIGN PATENT DOCUMENTS

- AP D00289-0001 * 6/2012
- CA 45122 * 3/1979
- (Continued)

OTHER PUBLICATIONS

- Drive Medical, "Drive Medical Deluxe Oxygen Cylinder Rack,"
May 8, 2005, Amazon.com, www.amazon.com/dp/B002VWJZQ0
(Year: 2005).*
- (Continued)

Primary Examiner — Shannon W Morgan
Assistant Examiner — Arva P Adams
 (74) *Attorney, Agent, or Firm* — Miles & Stockbridge
 P.C.

(57) **CLAIM**

The ornamental design for a tray, as shown and described.

DESCRIPTION

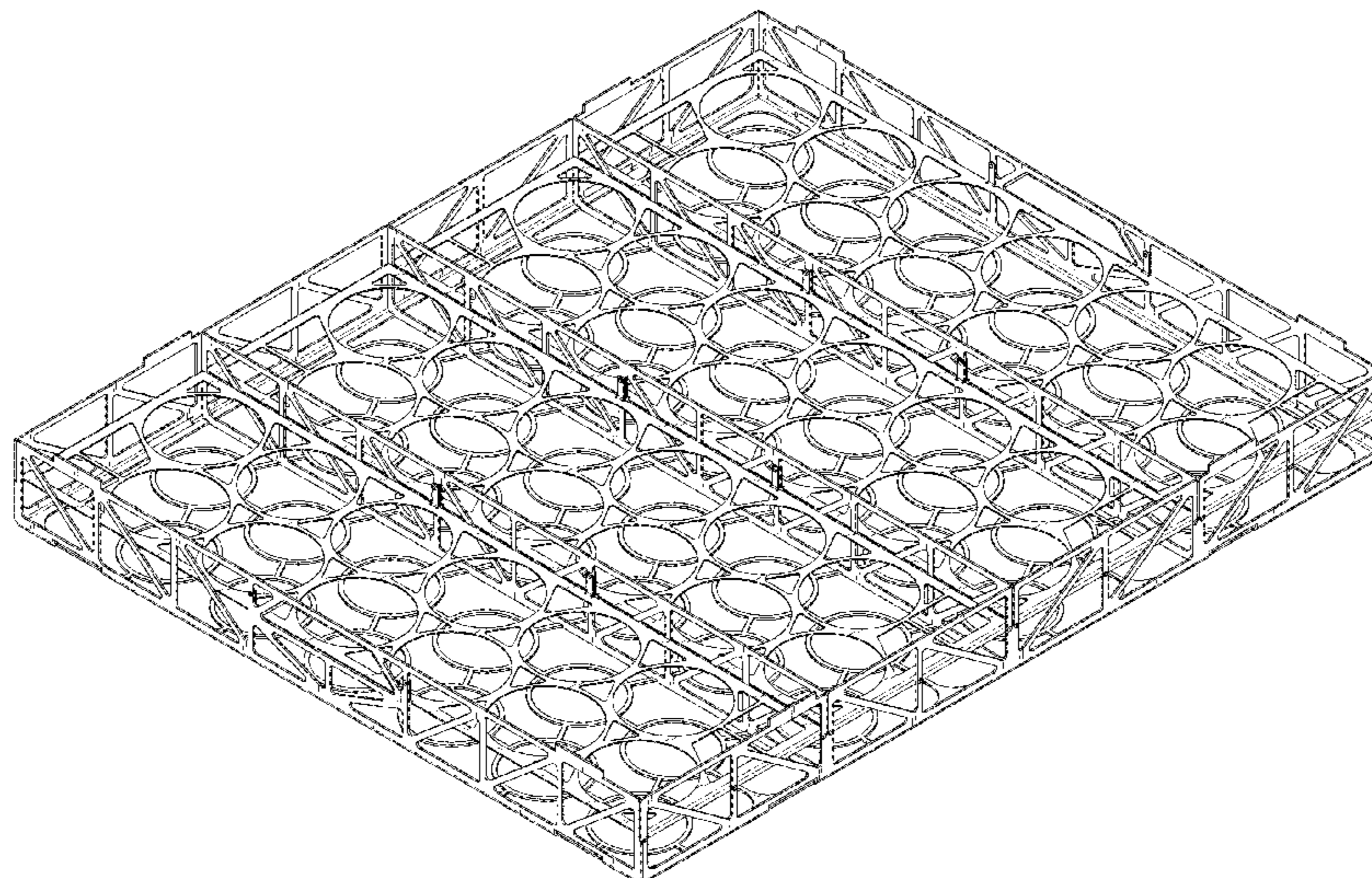
FIG. 1 is a front perspective view of a tray, showing the new design;
 FIG. 2 is a front elevational view thereof;
 FIG. 3 is a rear elevational view thereof;
 FIG. 4 is a side elevational view thereof;
 FIG. 5 is another side elevational view thereof;
 FIG. 6 is a top plan view thereof; and,
 FIG. 7 is bottom plan view thereof.

1 Claim, 7 Drawing Sheets

(56) **References Cited**

U.S. PATENT DOCUMENTS

- 845,947 A * 3/1907 Hall B65D 71/0003
206/202
- 894,130 A * 7/1908 Franks B65D 71/0003
206/202
- 1,421,705 A * 7/1922 Melish A47G 23/0241
220/7



(56)

References Cited

U.S. PATENT DOCUMENTS

3,363,802 A * 1/1968 Cornelius B65D 71/0003
206/203
3,530,967 A * 9/1970 Huber F16C 29/046
193/37
D233,416 S * 10/1974 Jansen D9/456
4,932,532 A * 6/1990 Apps B65D 71/70
206/503
D313,493 S * 1/1991 Apps D3/313
D317,670 S * 6/1991 Apps D3/314
5,031,774 A * 7/1991 Morris B65D 1/36
206/519
D322,917 S * 1/1992 Morris D3/313
5,184,748 A * 2/1993 Apps B65D 21/0212
220/519
5,285,907 A * 2/1994 Franchere A47B 87/00
211/194
5,316,172 A * 5/1994 Apps B65D 21/0212
220/519
D347,722 S * 6/1994 Apps D3/314
D355,764 S * 2/1995 Apps D3/304
D359,126 S * 6/1995 Hovatter D24/227
D412,399 S * 8/1999 Apps D34/38
5,938,060 A * 8/1999 Rutland, Jr. A47G 23/0641
220/23.6
6,186,328 B1 * 2/2001 Apps B65D 21/0233
206/518
D507,658 S * 7/2005 Wescott, III B01L 9/06
422/412
D677,400 S * 3/2013 Blaettler D24/230
D683,504 S * 5/2013 Clores B65D 71/0003
D32/3
D708,811 S * 7/2014 Kelly D34/38
D712,205 S * 9/2014 Yoder B65D 21/0212
D7/600.1

D749,323 S * 2/2016 Stahl B65D 1/36
D3/308
D752,299 S * 3/2016 Clores D32/3
D826,425 S * 8/2018 Muller D24/230
D930,940 S * 9/2021 Cohen F16C 29/046
D34/38
2002/0108917 A1 * 8/2002 Maruyama B01L 9/06
211/74
2018/0206662 A1 * 7/2018 Weir A47G 33/00

FOREIGN PATENT DOCUMENTS

CA	54402	*	5/1985
EM	002617357-0001	*	1/2015
GB	6034746	*	5/2018
IN	292891-0001	*	3/2019
KR	300224945.0000	*	7/1998

OTHER PUBLICATIONS

Carlisle Paddles, "Carlisle 30 Compartment Full Size OptiClean NeWave Glass Rack," Nov. 20, 2009, Amazon.com, www.amazon.com/dp/B002ORQH5E (Year: 2009).*

Wiorkiewicz, Nadina, "Test Tube Rack," Jan. 22, 2011, Wikipedia.org, https://en.wikipedia.org/wiki/Test_tube_rack#/media/File:Metal_tube_rack-laboratory_2.jpg (Year: 2011).*

Vollrath, "Vollrath TR7CC02 Plastic Rack-Master Dishwasher Rack," May 18, 2012, Amazon.com, www.amazon.com/dp/B008T34TH0 (Year: 2012).*

Richi, "RICHI Black Seed S Starter Tablett," Jun. 29, 2018, Amazon.de, www.amazon.de/dp/B079HG369Y (Year: 2018).*

Polymer Solutions International, "The 4 Pocket ProStack," Aug. 2019, ProStack.com, <https://prostack.com/wp-content/uploads/2019/08/ProStack-4-Pocket-12.4.18.pdf> (Year: 2019).*

* cited by examiner

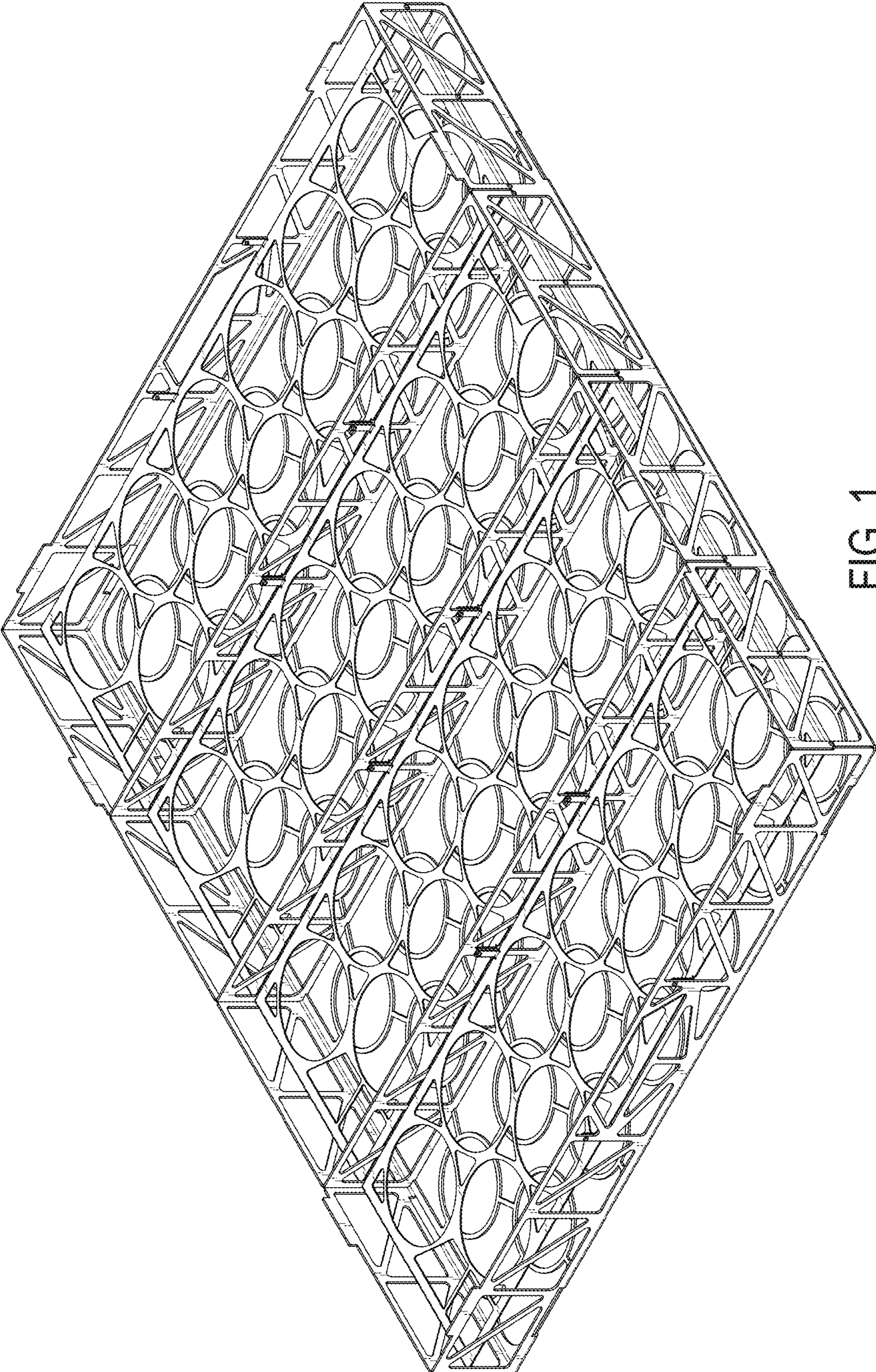


FIG. 1

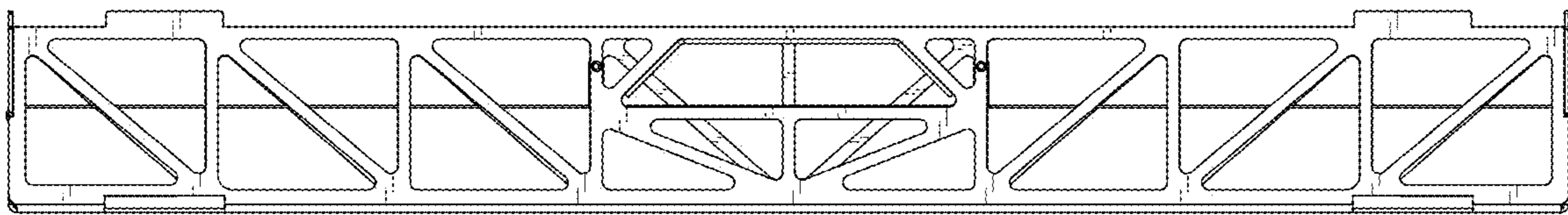


FIG. 2

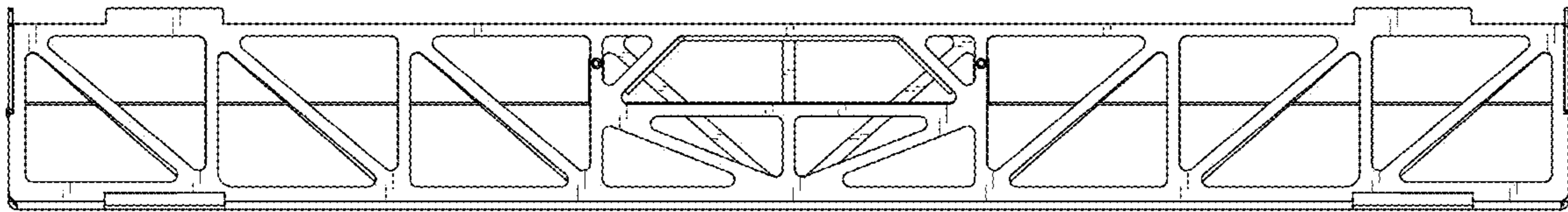


FIG. 3

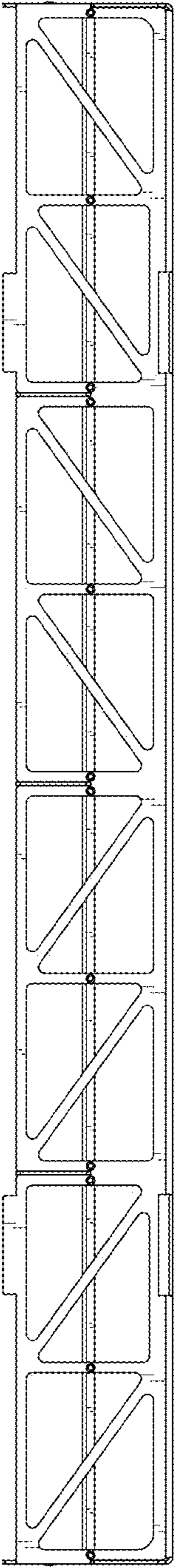


FIG. 4

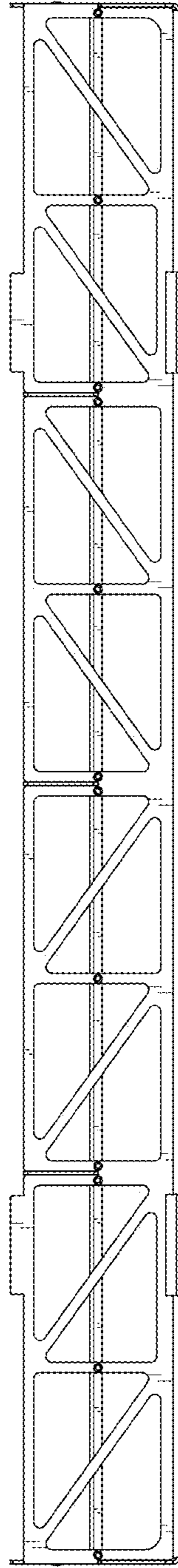


FIG. 5

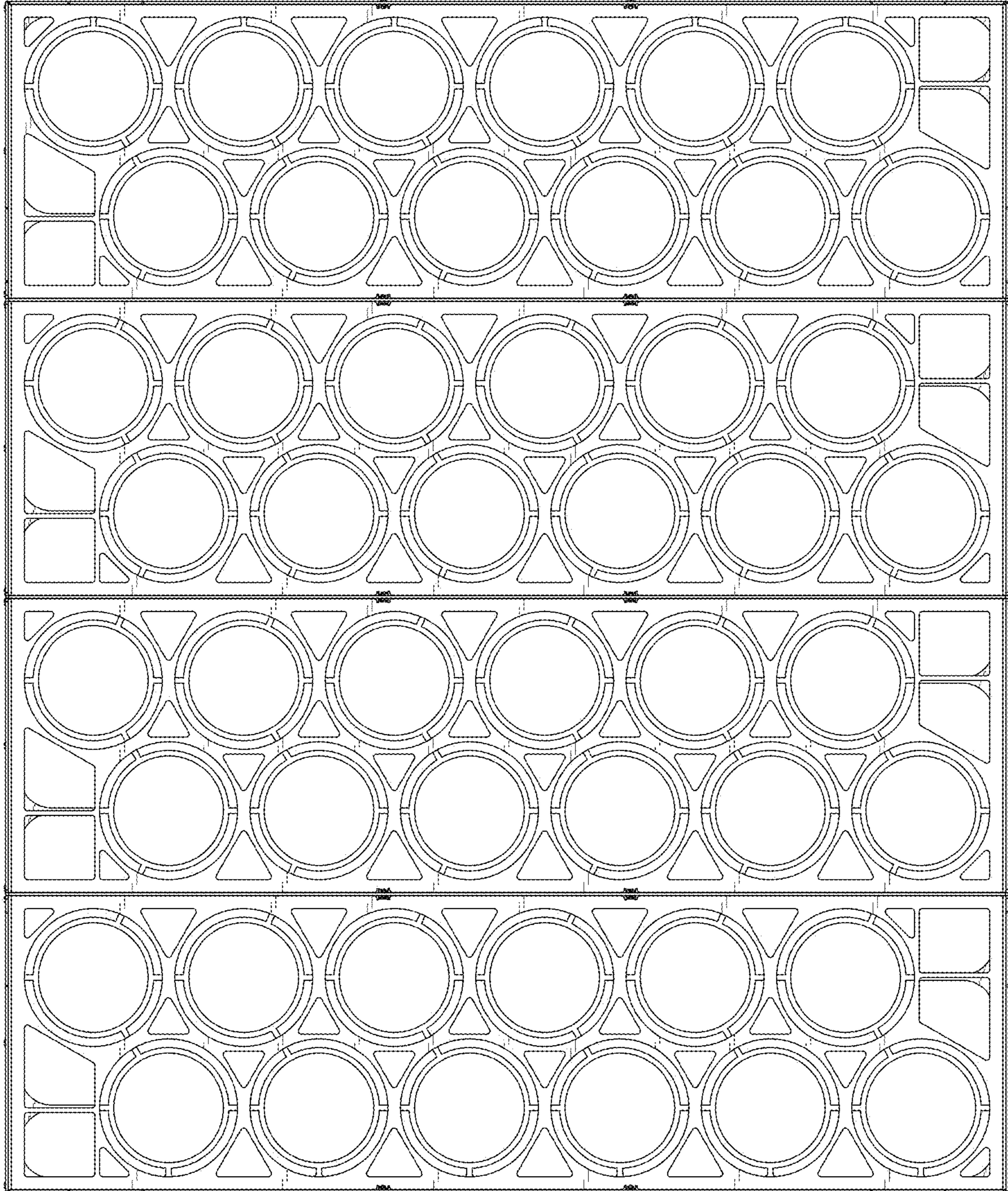


FIG. 6

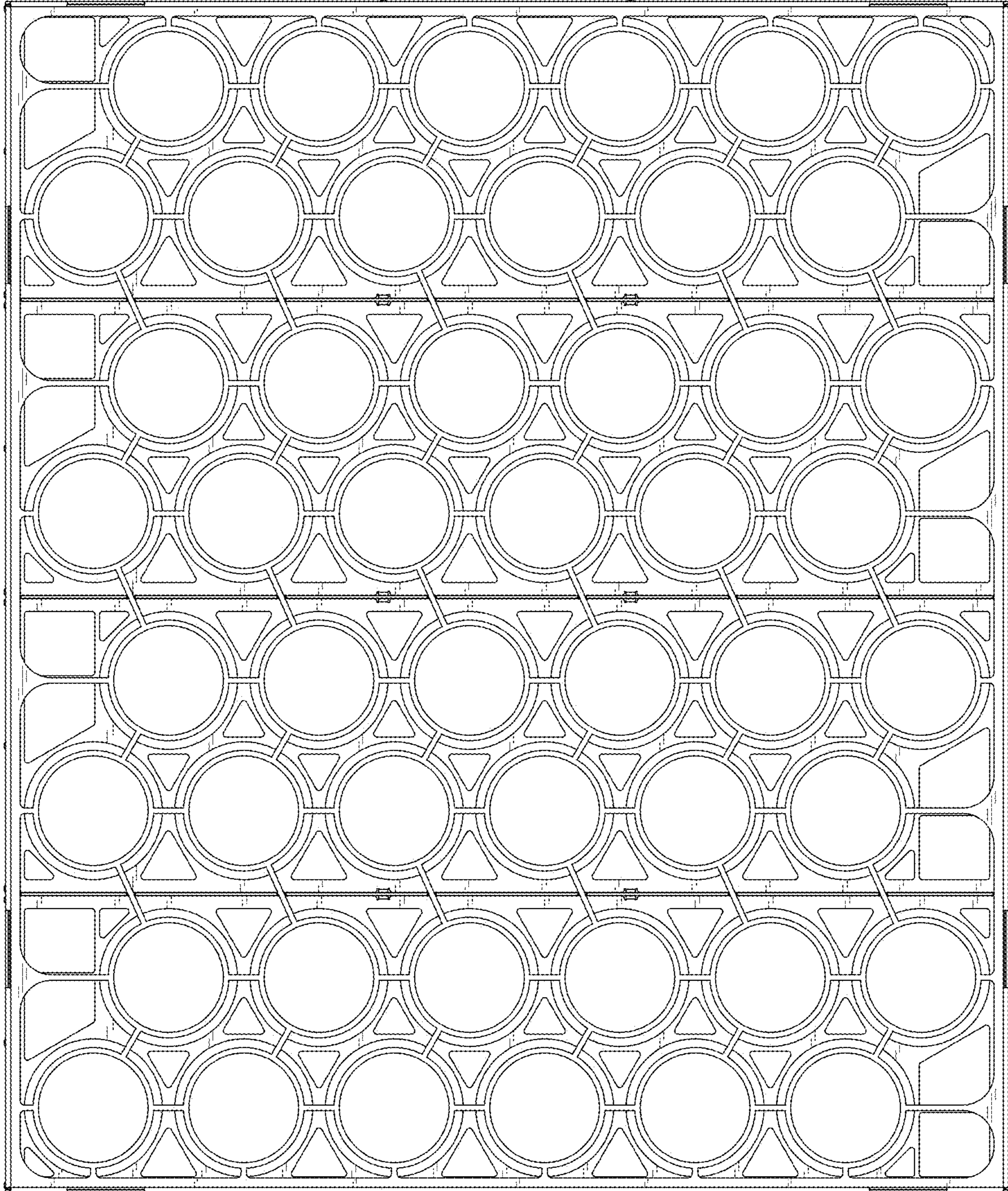


FIG. 7