



US00D938678S

(12) **United States Design Patent**  
**Day et al.**

(10) **Patent No.:** **US D938,678 S**  
(45) **Date of Patent:** **\*\* Dec. 14, 2021**

(54) **VACUUM**

(71) Applicants: **Nikki Day**, Riverton, UT (US); **Brody Day**, Riverton, UT (US)

(72) Inventors: **Nikki Day**, Riverton, UT (US); **Brody Day**, Riverton, UT (US)

(73) Assignee: **Nikki Day**, Riverton, UT (US)

(\*\*) Term: **15 Years**

(21) Appl. No.: **29/730,415**

(22) Filed: **Apr. 3, 2020**

(51) **LOC (13) Cl.** ..... **15-05**

(52) **U.S. Cl.**  
USPC ..... **D32/23**

(58) **Field of Classification Search**  
USPC ..... D32/17, 18, 19, 21, 22, 23, 31; D7/509, D7/511, 590, 608; D8/70; D9/516, 537, D9/564, 711; D14/213, 214, 215, 216; D23/202, 205  
CPC ... A47L 5/24; A47L 5/365; A47L 5/38; A47L 7/0023; A47L 7/0047; A47L 7/0052; A47L 7/009; A47L 9/0036; A47L 9/0673; A47L 9/127; A47L 9/1409; A47L 9/1683; A47L 9/1666; A47L 11/22; A47L 11/30; B01D 2279/55; B04C 5/08; B04C 5/18; B04C 2009/004; B23Q 11/0046; B23Q 11/0071; Y10S 55/03; E04H 4/1636  
See application file for complete search history.

(56) **References Cited**

**U.S. PATENT DOCUMENTS**

D184,829 S \* 4/1959 Nerheim ..... D32/18  
2,972,160 A \* 2/1961 Hanh ..... A47L 5/24  
15/344  
3,142,857 A \* 8/1964 Fresard ..... A47L 9/00  
15/327.7  
D303,856 S \* 10/1989 Yuen ..... D32/18  
D395,793 S \* 7/1998 Moran ..... D7/608  
D414,369 S \* 9/1999 Miller ..... D7/300.1

D467,048 S \* 12/2002 Masaki ..... D32/17  
D543,667 S \* 5/2007 Yoshimoto ..... D32/18  
D571,153 S \* 6/2008 Lopez ..... D7/510  
D605,895 S \* 12/2009 Abbott ..... D7/509  
D648,016 S \* 11/2011 Choi ..... D23/364

(Continued)

**FOREIGN PATENT DOCUMENTS**

JP D1681347 \* 3/2021

**OTHER PUBLICATIONS**

Bissell AeroSlim, available in Amazon.ca, date 1st available Jun. 22, 2020[online],[site visited Jul. 30, 2021], Available from internet URL: [https://www.amazon.ca/BISSELL-AeroSlim-Cordless-Handheld-29869/dp/B087HQRW2M/ref=sr\\_1\\_5?dchild=1&keywords=BISSELL+AeroSlim+Lithium+Ion+Cordless&qid=1627664923&sr=8-5](https://www.amazon.ca/BISSELL-AeroSlim-Cordless-Handheld-29869/dp/B087HQRW2M/ref=sr_1_5?dchild=1&keywords=BISSELL+AeroSlim+Lithium+Ion+Cordless&qid=1627664923&sr=8-5) (Year: 2020).\*

(Continued)

*Primary Examiner* — Dana K Weiland  
*Assistant Examiner* — Jennylou M Binas  
(74) *Attorney, Agent, or Firm* — Maschoff Brennan

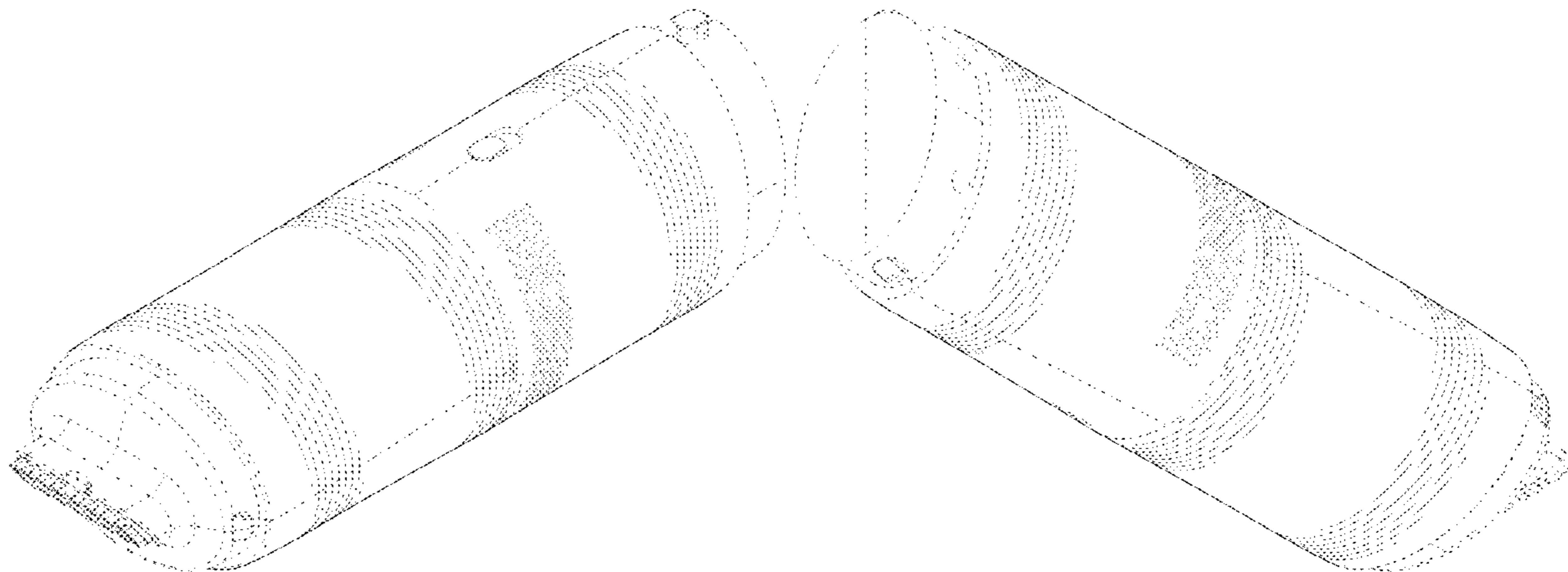
(57) **CLAIM**

The ornamental design for a vacuum, as shown and described.

**DESCRIPTION**

FIG. 1 is an upper perspective view of a vacuum showing the new design;  
FIG. 2 is a lower perspective view of the vacuum;  
FIG. 3 is a front view of the vacuum;  
FIG. 4 is a back view of the vacuum;  
FIG. 5 is a right-side view of the vacuum;  
FIG. 6 is a left-side view of the vacuum;  
FIG. 7 is a top view of the vacuum; and,  
FIG. 8 is a bottom view of the vacuum.  
The broken lines show portions of the vacuum that form no part of the claimed design.

**1 Claim, 7 Drawing Sheets**



(56)

**References Cited**

U.S. PATENT DOCUMENTS

D687,196 S *	7/2013	Raven .....	D32/31
D734,574 S *	7/2015	Schultz .....	D32/18
9,499,134 B2	11/2016	Camiller	
D795,645 S *	8/2017	Peng .....	D7/511
D799,274 S *	10/2017	Hewitt .....	D7/531
D850,857 S *	6/2019	Bruner .....	D7/531
D874,285 S *	2/2020	Yourist .....	D9/539
D905,506 S *	12/2020	Wiesenthal .....	D7/509
2006/0272980 A1	12/2006	Montgomery	
2012/0061438 A1	3/2012	Manor et al.	

OTHER PUBLICATIONS

Car Vacuum Cleaner—AUTOOMMO, available in Amazon.ca, date first available Feb. 25, 2021 [online], [site visited Jul. 30, 2021], Available from the internet URL: [https://www.amazon.ca/Car-Vacuum-Cleaner-Rechargeable-2x2000mAh/dp/B08RBKH2V2/ref=sr\\_1\\_3?dchild=1&keywords=AUTOOMMO&qid=1627663506&sr=8-3](https://www.amazon.ca/Car-Vacuum-Cleaner-Rechargeable-2x2000mAh/dp/B08RBKH2V2/ref=sr_1_3?dchild=1&keywords=AUTOOMMO&qid=1627663506&sr=8-3) (Year: 2021).\*

GOOLOO Car Vacuum Cleaner, available in Amazon.ca, date first available Dec. 2, 2019 [online], [site visited Jul. 30, 2021], Available from the internet URL: [https://www.amazon.ca/GOOLOO-Cleaner-Handheld-Portable-Cleaning/dp/B0828FKBD2/ref=sr\\_1\\_11?dchild=1&keywords=GOOLOO&qid=1627663928&sr=8-11](https://www.amazon.ca/GOOLOO-Cleaner-Handheld-Portable-Cleaning/dp/B0828FKBD2/ref=sr_1_11?dchild=1&keywords=GOOLOO&qid=1627663928&sr=8-11) (Year: 2019).\*

Yantu Car Vacuum, available in Amazon.ca, date first available Sep. 12, 2020 [online], [site visited Jul. 30, 2021], Available from the internet URL: [https://www.amazon.ca/dp/B08FCDY7LF/ref=cm\\_sw\\_em\\_r\\_mt\\_imm\\_awdb\\_4N5E80KQTDDWV971J1MH](https://www.amazon.ca/dp/B08FCDY7LF/ref=cm_sw_em_r_mt_imm_awdb_4N5E80KQTDDWV971J1MH) (Year: 2020).\*

Ayla and Co. Chic and compact, available in [www.instagram.com](http://www.instagram.com), announced Aug. 13, 2020 [online], [site visited Sep. 29, 2021], Internet URL: <https://www.instagram.com/p/CD1cWvDhqm9/?hl=en> (Year: 2020).\*

Ayla Vac, announced in YouTube on Sep. 1, 2020 [online], [site visited Sep. 29, 2021], Available from the internet URL: [https://www.youtube.com/watch?v=APb\\_h59\\_NPI](https://www.youtube.com/watch?v=APb_h59_NPI) (Year: 2020).\*

Ayla Bag + Vacuum: the diaper bag for life's messy moments, available in [www.kickstarter.com](http://www.kickstarter.com), announced Sep. 22, 2020 [online], [site visited Sep. 29, 2021], Internet URL: <https://www.kickstarter.com/projects/aylabag/ayla-bag-vacuum-helping-parents-with-lifes-messy-moments/posts> (Year: 2020).\*

\* cited by examiner

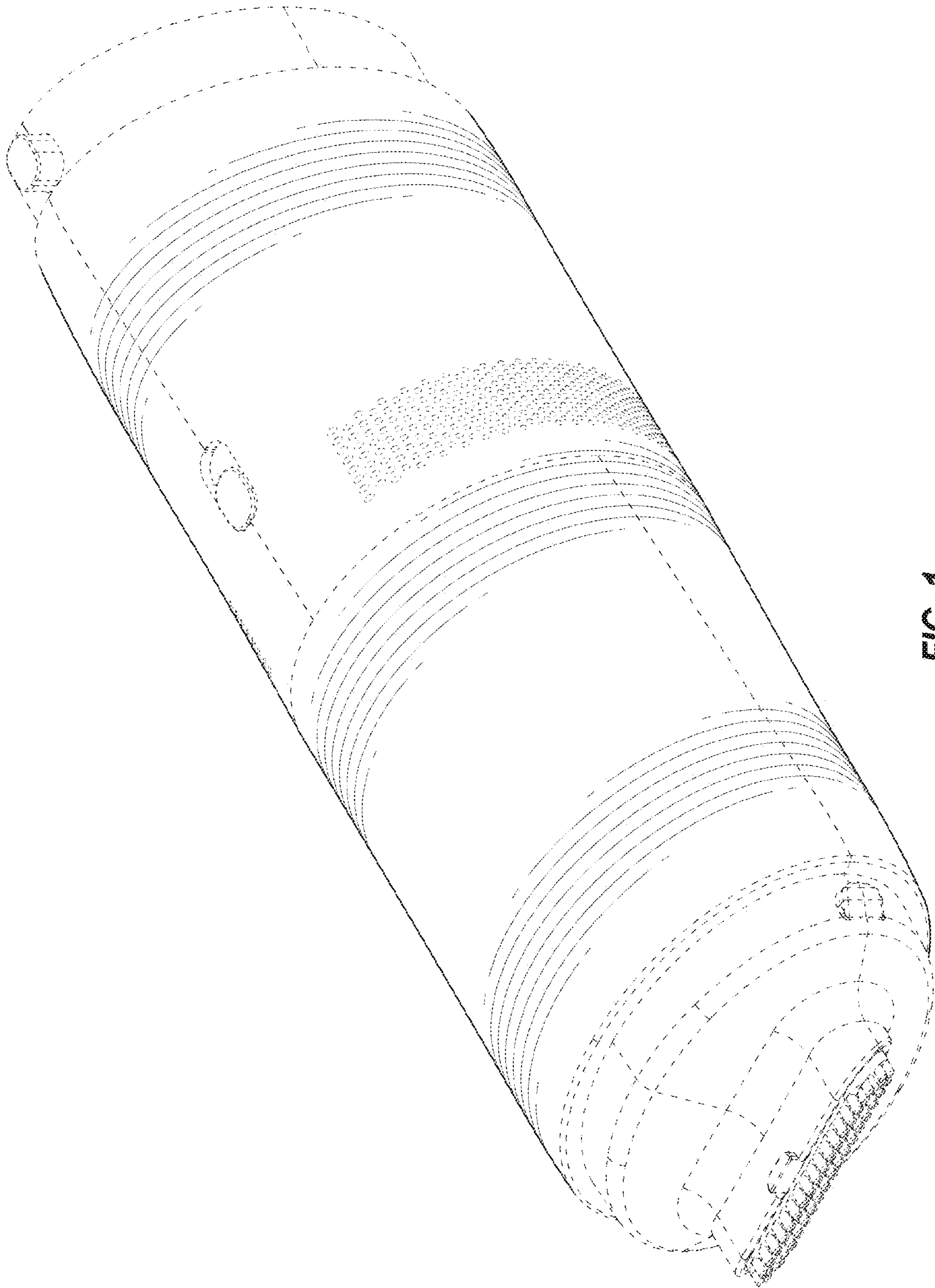


FIG. 1

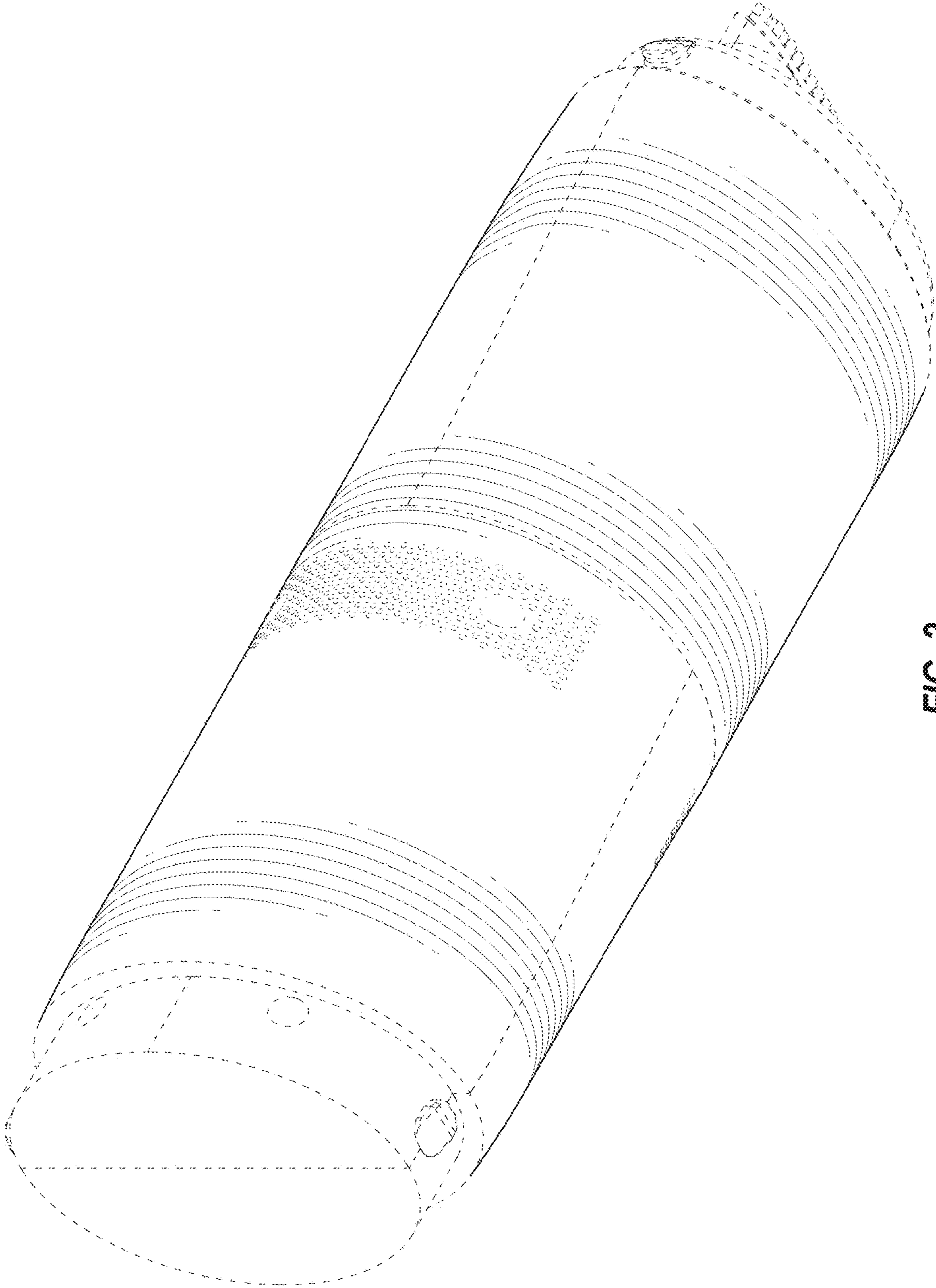


FIG. 2

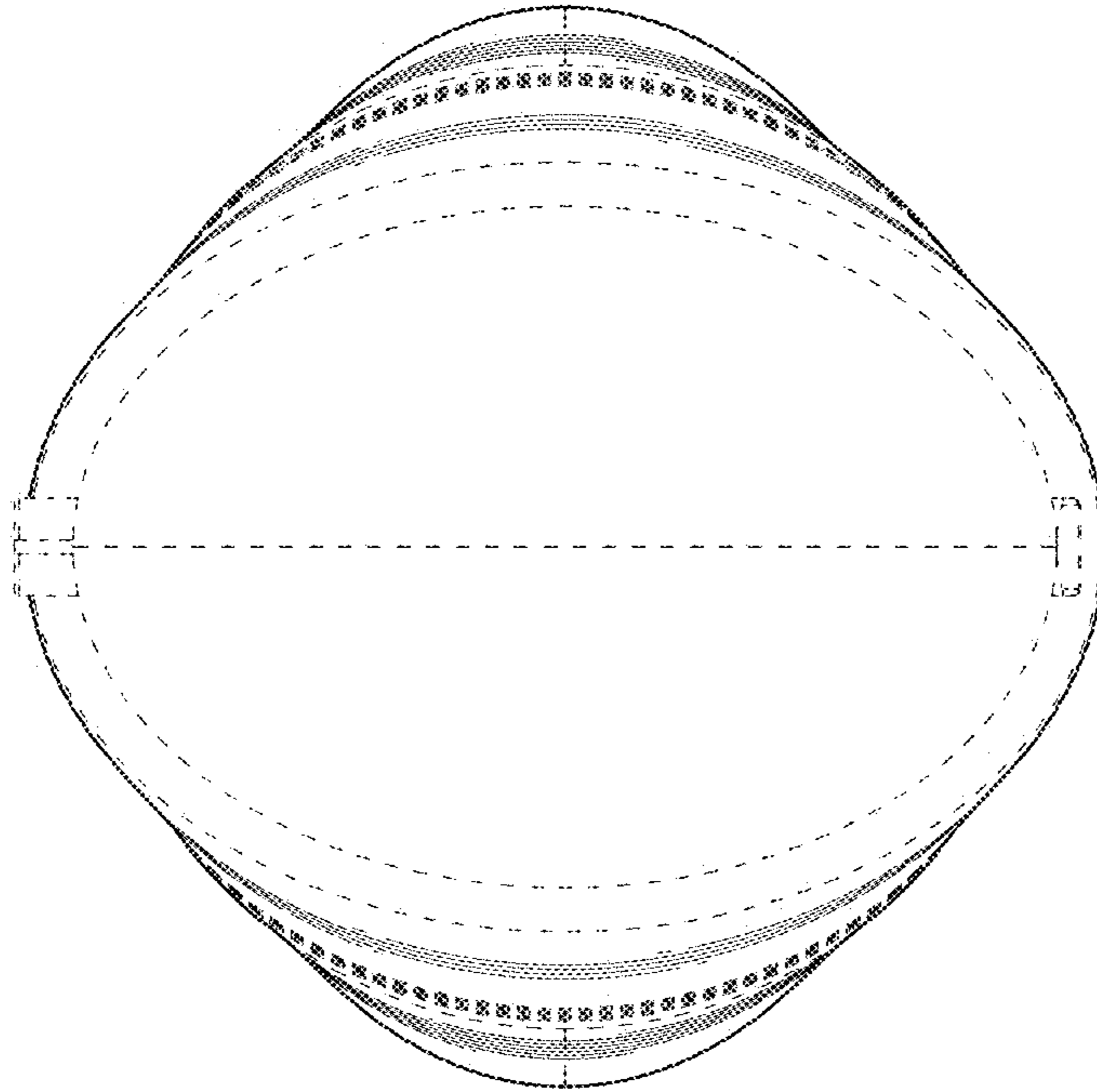


FIG. 4

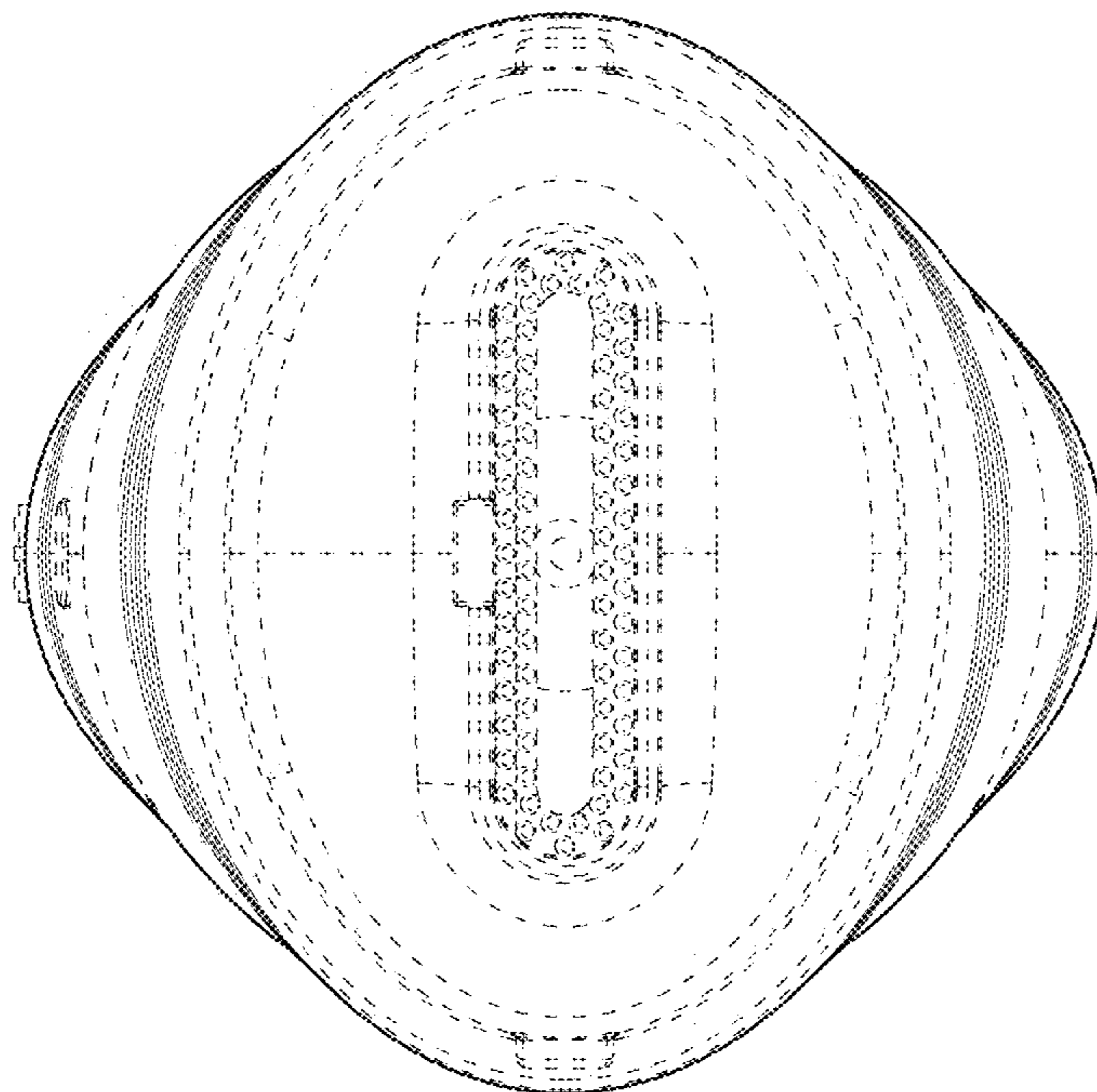


FIG. 3

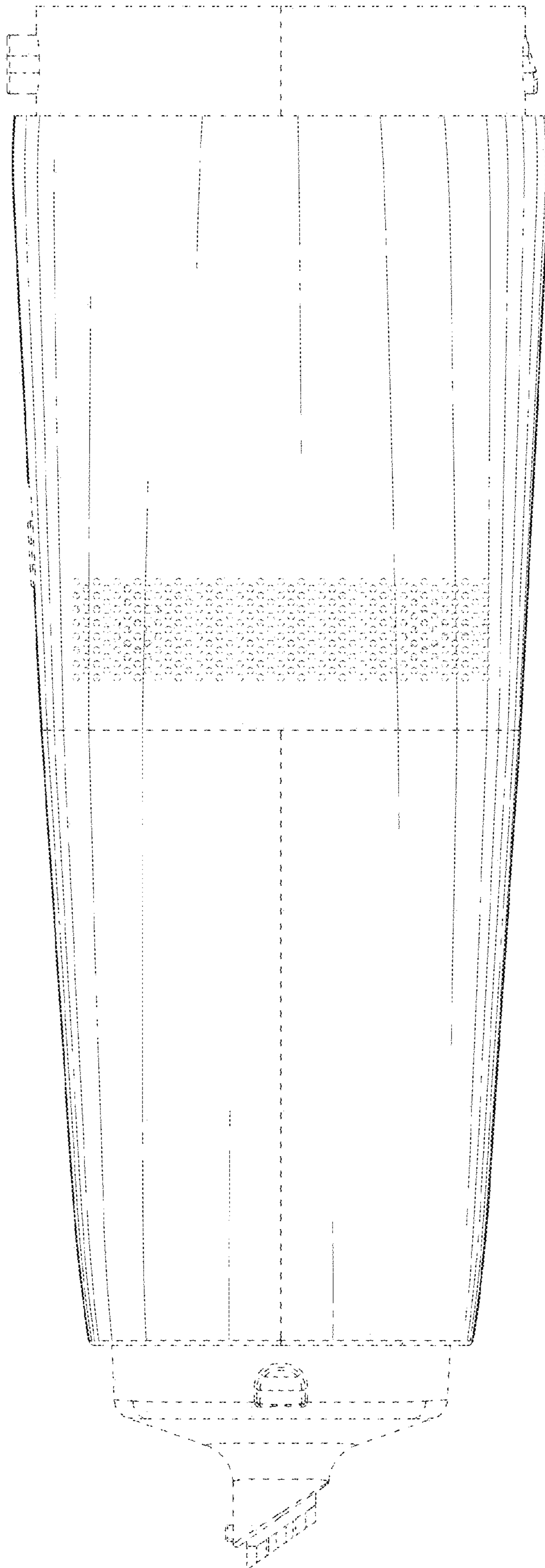


FIG. 5

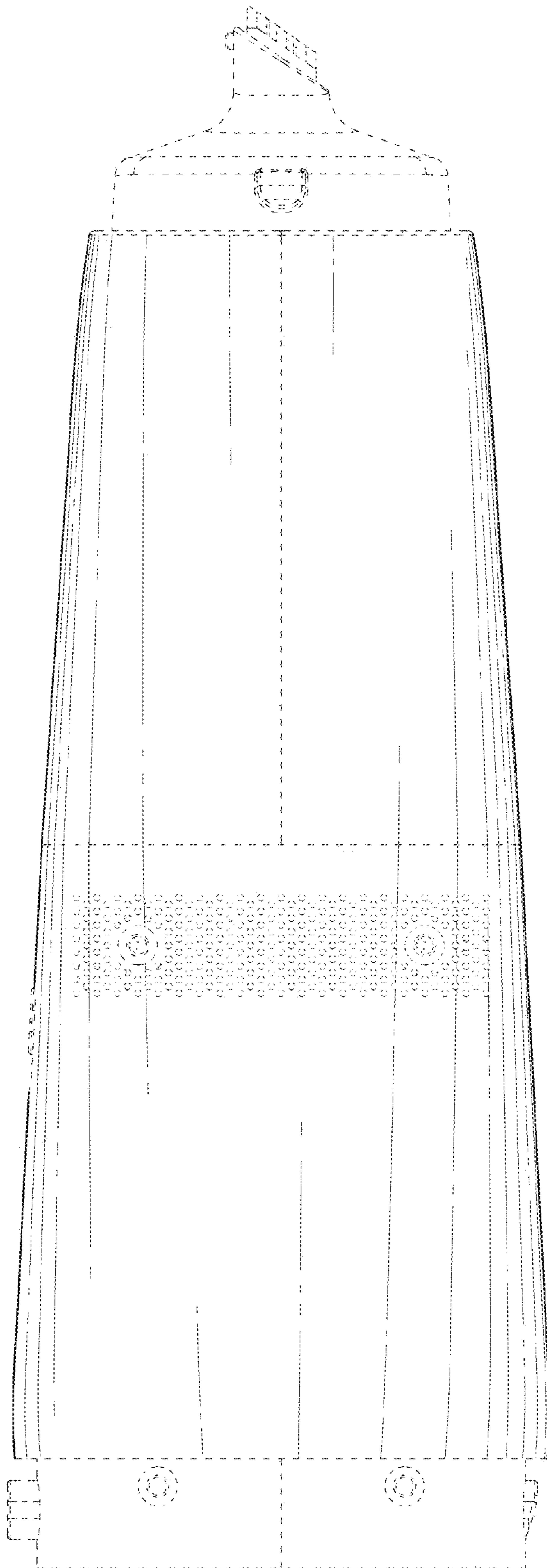


FIG. 6

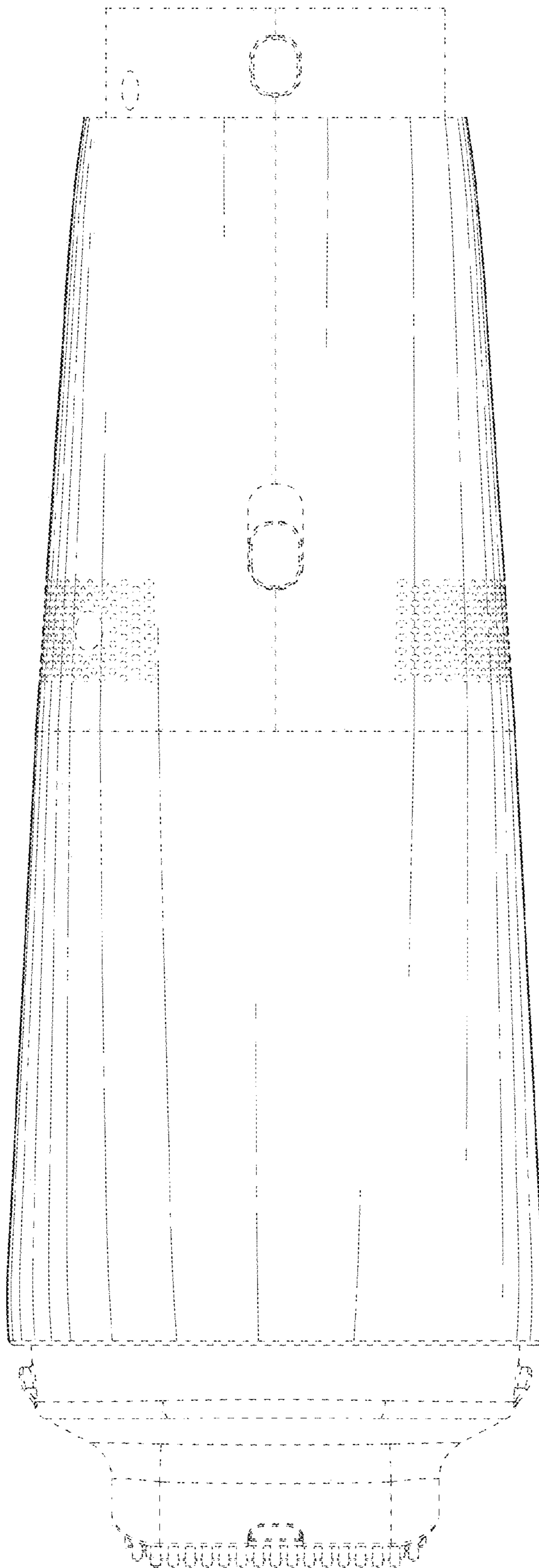


FIG. 7



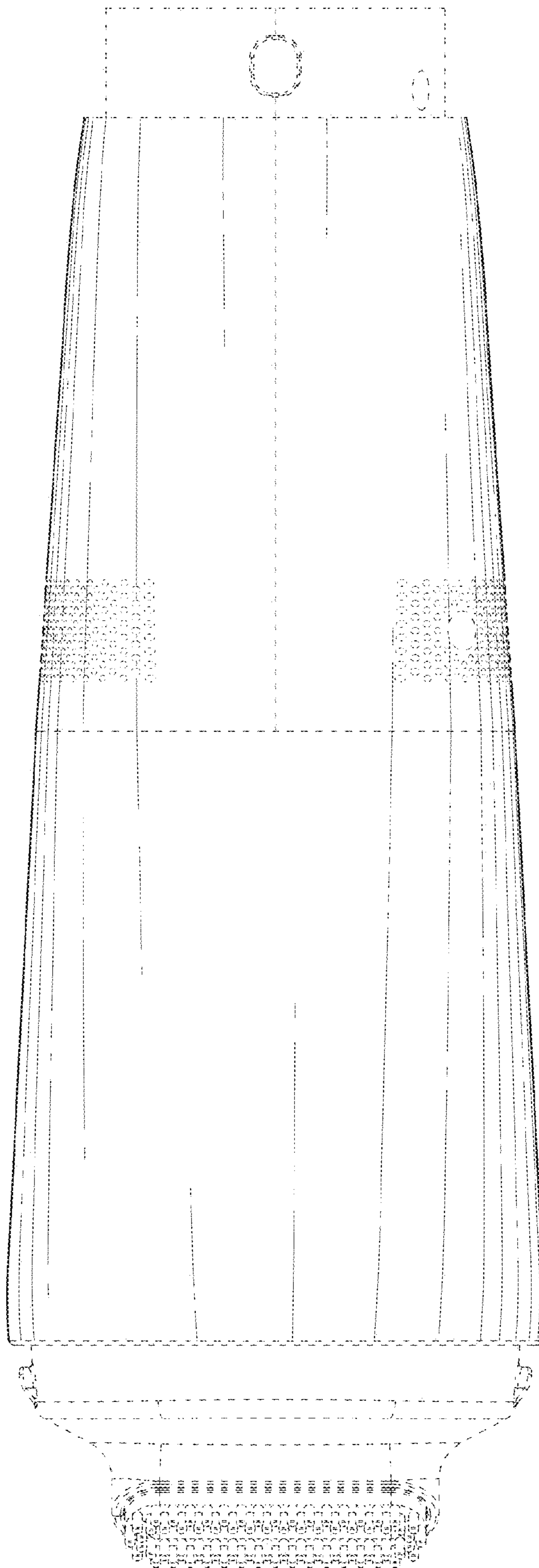


FIG. 8