



US00D938676S

(12) **United States Design Patent**
Takahashi et al.

(10) **Patent No.:** **US D938,676 S**
(45) **Date of Patent:** **** Dec. 14, 2021**

(54) **ROBOTIC VACUUM CLEANER**

(71) Applicant: **MAKITA CORPORATION**, Anjo (JP)

(72) Inventors: **Koji Takahashi**, Anjo (JP); **Kentaro Koura**, Anjo (JP)

(73) Assignee: **MAKITA CORPORATION**, Anjo (JP)

(**) Term: **15 Years**

(21) Appl. No.: **29/692,713**

(22) Filed: **May 28, 2019**

(30) **Foreign Application Priority Data**

Nov. 30, 2018 (JP) 2018-026033

(51) **LOC (13) Cl.** **15-05**

(52) **U.S. Cl.**
USPC **D32/21**

(58) **Field of Classification Search**
USPC D32/21, 31; D21/526, 578; D8/70, 310,
D8/330; D10/37, 38, 50, 106.2, 106.5;
D13/108, 209; D23/254

(Continued)

(56) **References Cited**

U.S. PATENT DOCUMENTS

D526,753 S * 8/2006 Tani D32/21
D593,265 S * 5/2009 Carr D32/21

(Continued)

FOREIGN PATENT DOCUMENTS

CN 302081445 * 9/2012
EM 006372512-0001 * 2/2021

(Continued)

OTHER PUBLICATIONS

Neato Robotics Botvac, available in Amazon.ca, date first available Mar. 17, 2018 [online], [site visited Apr. 10, 2021], Available from

the internet . . . https://www.amazon.ca/Neato-Botvac-Connected-Featuring-Compatible/dp/B078MPFN55/ref=sr_1_3?dchild=1&keywords=Neato+Robotics+Botvac+D7&qid=1618100380&s=kitchen&sr=1-3 (Year: 2018).*

(Continued)

Primary Examiner — Dana K Weiland
Assistant Examiner — Jennylou M Binas

(74) *Attorney, Agent, or Firm* — Global IP Counselors, LLP

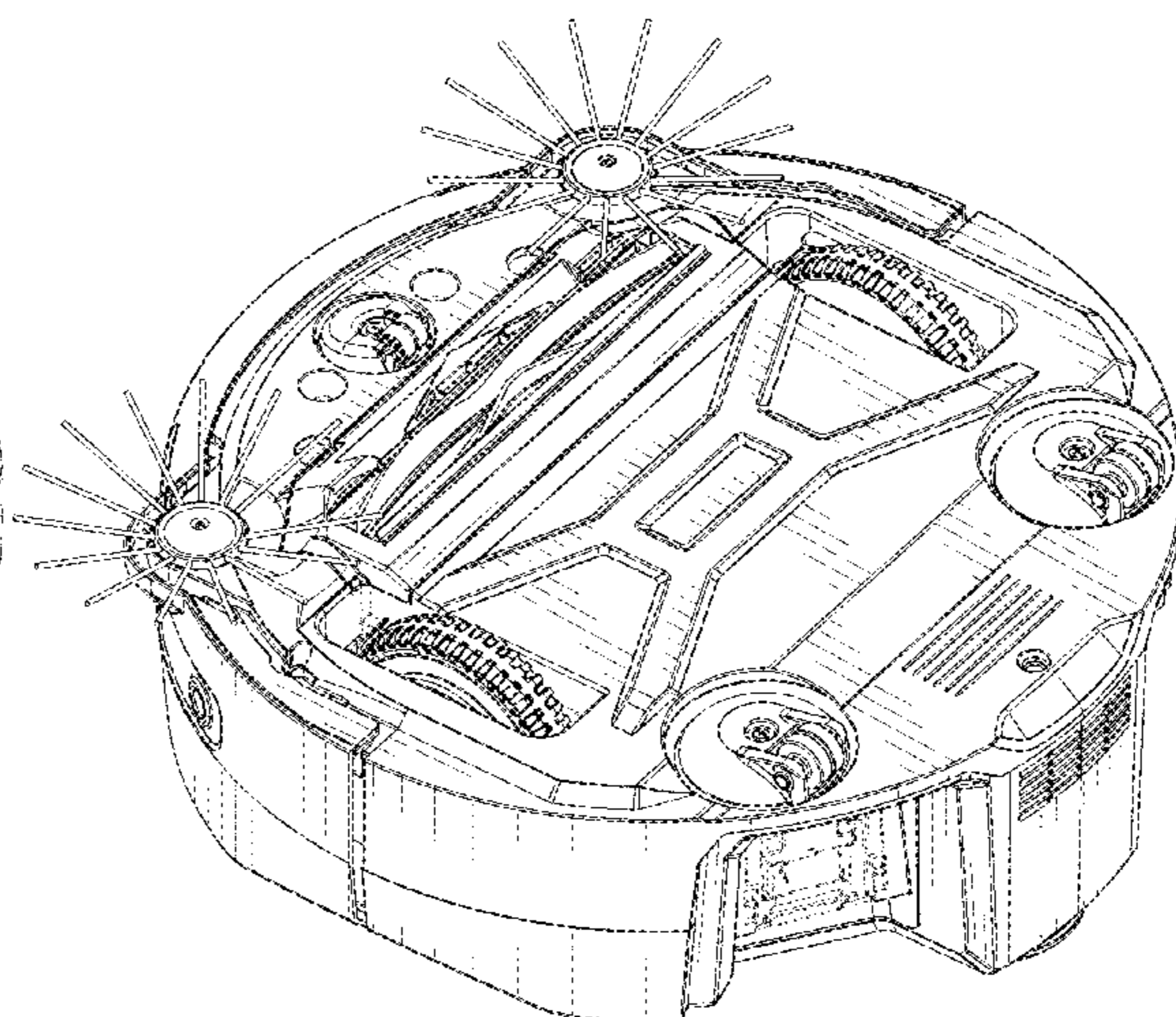
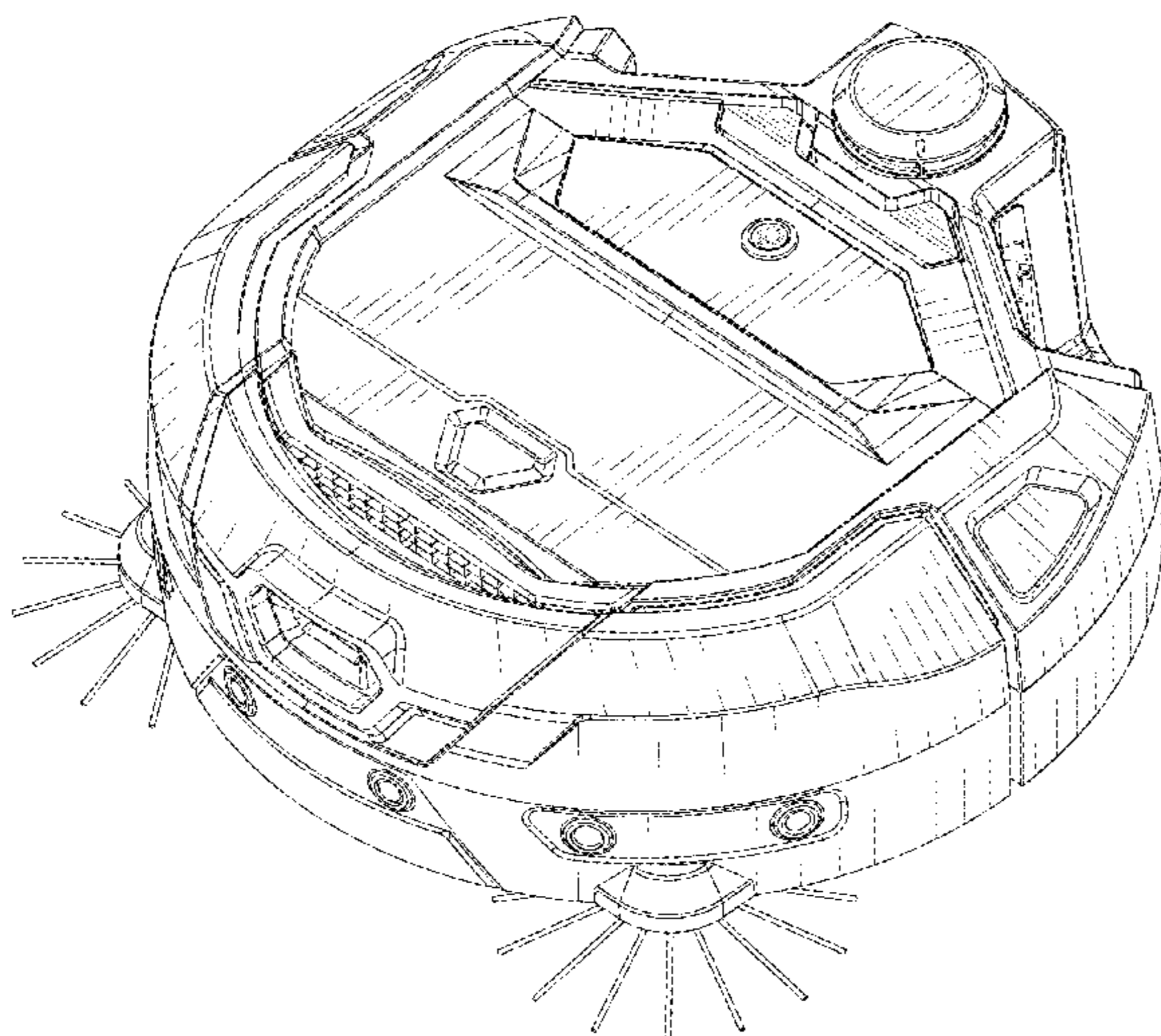
(57) **CLAIM**

The ornamental design for a robotic vacuum cleaner, as shown and described.

DESCRIPTION

FIG. 1 is a top perspective view of a robotic vacuum cleaner in accordance with our new design;
FIG. 2 is a bottom perspective view of the robotic vacuum cleaner in accordance with our new design;
FIG. 3 is a front elevational view of the robotic vacuum cleaner in accordance with our new design;
FIG. 4 is a rear elevational view of the robotic vacuum cleaner in accordance with our new design;
FIG. 5 is a top plan view of the robotic vacuum cleaner in accordance with our new design;
FIG. 6 is a bottom plan view of the robotic vacuum cleaner in accordance with our new design;
FIG. 7 is a right side elevational view of the robotic vacuum cleaner in accordance with our new design;
FIG. 8 is a left side elevational view of the robotic vacuum cleaner in accordance with our new design; and,
FIG. 9 is a top perspective view showing a state in which batteries are attached to the robotic vacuum cleaner in accordance with our new design.
The broken line showing of the batteries in FIG. 9 is for the purpose of illustrating environmental structure and forms no part of the claimed design. All other broken lines shown in the figures depict portions of the robotic vacuum cleaner that form no part of the claimed design.

1 Claim, 9 Drawing Sheets



(58) **Field of Classification Search**

CPC . A47L 5/08; A47L 5/30; A47L 7/0004; A47L 9/04; A47L 9/168; A47L 9/2805; A47L 9/2873; A47L 11/4011; A47L 11/4016; A47L 11/4038; A47L 11/4041; A47L 11/4044; A47L 2201/02; A47L 2201/04; A47L 2201/06; B25J 9/0003; B25J 9/1694; E04H 4/1636; G05D 1/0225; G06N 3/008

See application file for complete search history.

(56) **References Cited**

U.S. PATENT DOCUMENTS

D720,103 S * 12/2014 Haug D32/21
 D733,603 S * 7/2015 Graf D10/128
 D751,777 S * 3/2016 Cheon D32/21
 D778,515 S * 2/2017 Choi D32/21
 D785,879 S * 5/2017 Bu D32/21
 D840,617 S * 2/2019 Dou D32/21
 10,222,805 B2 * 3/2019 Munich G05D 1/0088
 D859,764 S * 9/2019 Sexton D32/21
 D860,557 S * 9/2019 Gnielka D32/21
 D860,558 S * 9/2019 Lee D32/21
 D862,010 S * 10/2019 Smith D32/21
 D869,109 S * 12/2019 Yu D32/21
 D870,402 S * 12/2019 Yun D32/21
 D872,395 S * 1/2020 Fathi Djalali D32/21
 D872,953 S * 1/2020 Ebrahimi Afrouzi D32/21
 D874,079 S * 1/2020 Ebrahimi Afrouzi D32/21
 D884,298 S * 5/2020 Li D32/21
 D885,698 S * 5/2020 Li D32/21
 D890,457 S * 7/2020 Pearce D32/21
 D917,117 S * 4/2021 Cao D32/21
 D919,211 S * 5/2021 Chang D32/21
 D921,308 S * 6/2021 Cao D32/21
 D921,309 S * 6/2021 Liu D32/21

11,064,858 B2 * 7/2021 Yoon G05D 1/0219
 11,083,356 B2 * 8/2021 Koura A47L 9/2815
 11,096,535 B2 * 8/2021 Koura A47L 9/2884
 2006/0288519 A1 * 12/2006 Jaworski A47L 11/4083
 15/340.1
 2012/0084934 A1 * 4/2012 Li A47L 11/33
 15/319
 2015/0335220 A1 * 11/2015 Kim A47L 9/0477
 15/49.1
 2019/0059674 A1 * 2/2019 Koura A47L 9/2842
 2019/0357743 A1 * 11/2019 Koura A47L 9/2857
 2020/0138257 A1 * 5/2020 Koura A47L 9/1445
 2020/0221917 A1 * 7/2020 Yan A47L 11/4061
 2020/0405111 A1 * 12/2020 Koura A47L 9/2805
 2021/0093136 A1 * 4/2021 Koura A47L 9/0466
 2021/0219803 A1 * 7/2021 Lee B25J 19/00

FOREIGN PATENT DOCUMENTS

EM 006372512-0003 * 2/2021
 EM 006372512-0004 * 2/2021
 JP D1539991 S 11/2015
 JP D1539991 * 12/2015

OTHER PUBLICATIONS

Lefant Robot Vacuums M201, available in Amazon.ca, date first available Aug. 31, 2020 [online], [site visited Apr. 10, 2021], Available from the internet . . . URL: https://www.amazon.ca/M201-Self-Charging-Upgraded-Collision-Cleaning/dp/B08CZR5GCW/ref=sr_1_3?dchild=1&keywords=lefant+robot+vacuum+m201&qid=1618100569&s=kitchen&sr=1-3 (Year: 2020).*

Makita DRC200PT, available in Amazon.com, date first available Apr. 6, 2017 [online], [site visited Apr. 2, 2021], Available from the internet URL: https://www.amazon.com/dp/B06Y2Q2RWW/ref=cm_sw_r_em_apafabc_R4MQFV0N5E4XG5K9E11J (Year: 2017).*

* cited by examiner

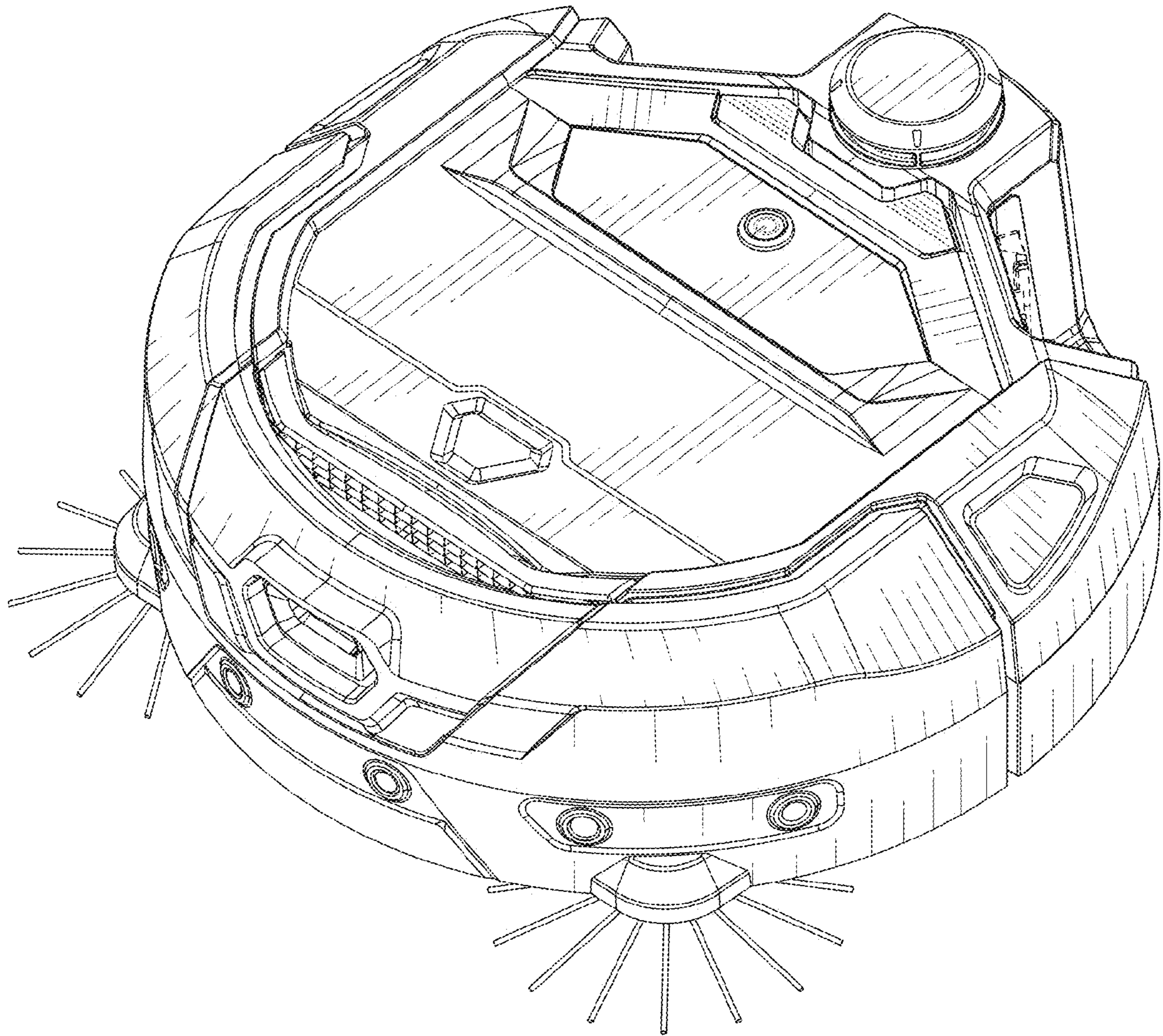


FIG. 1

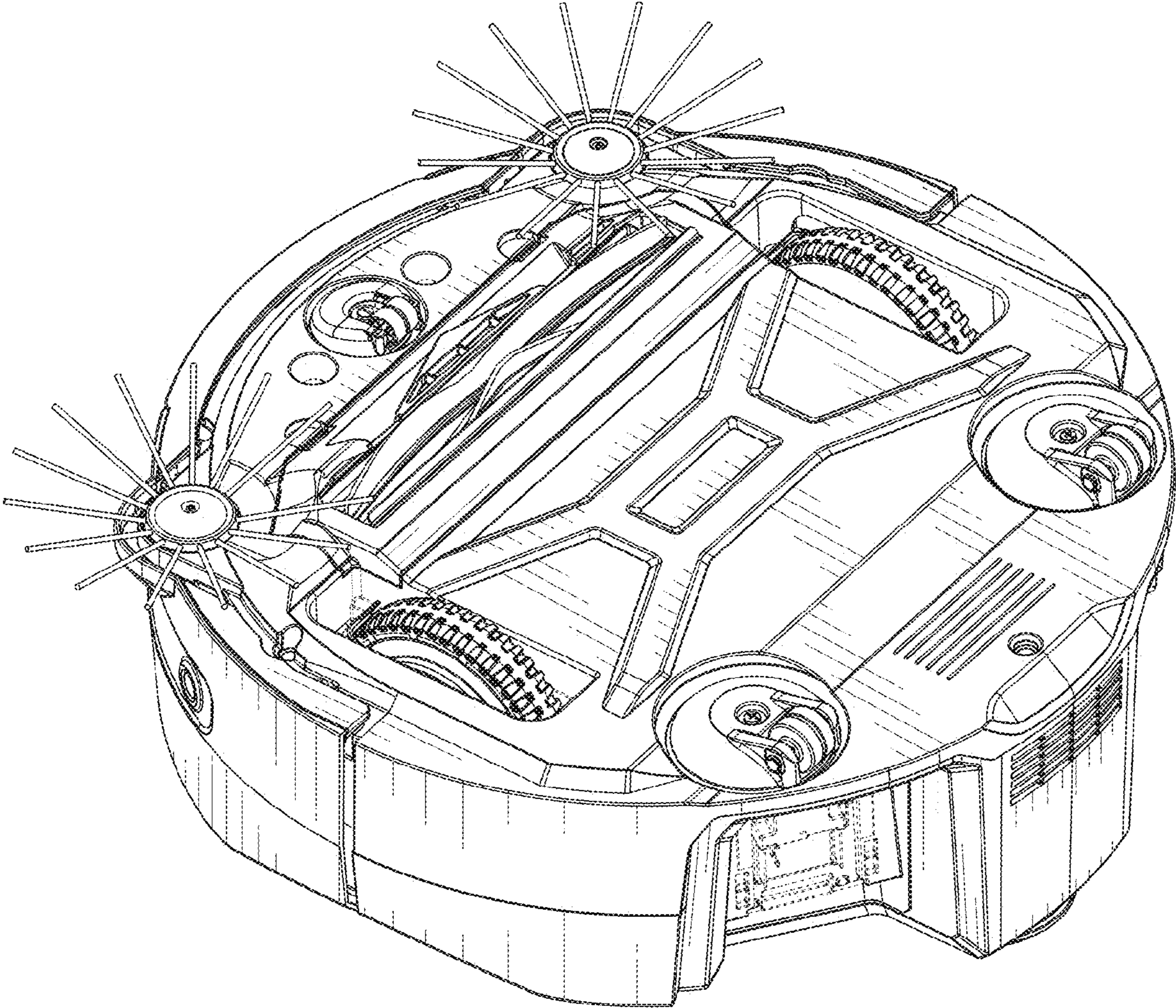


FIG. 2

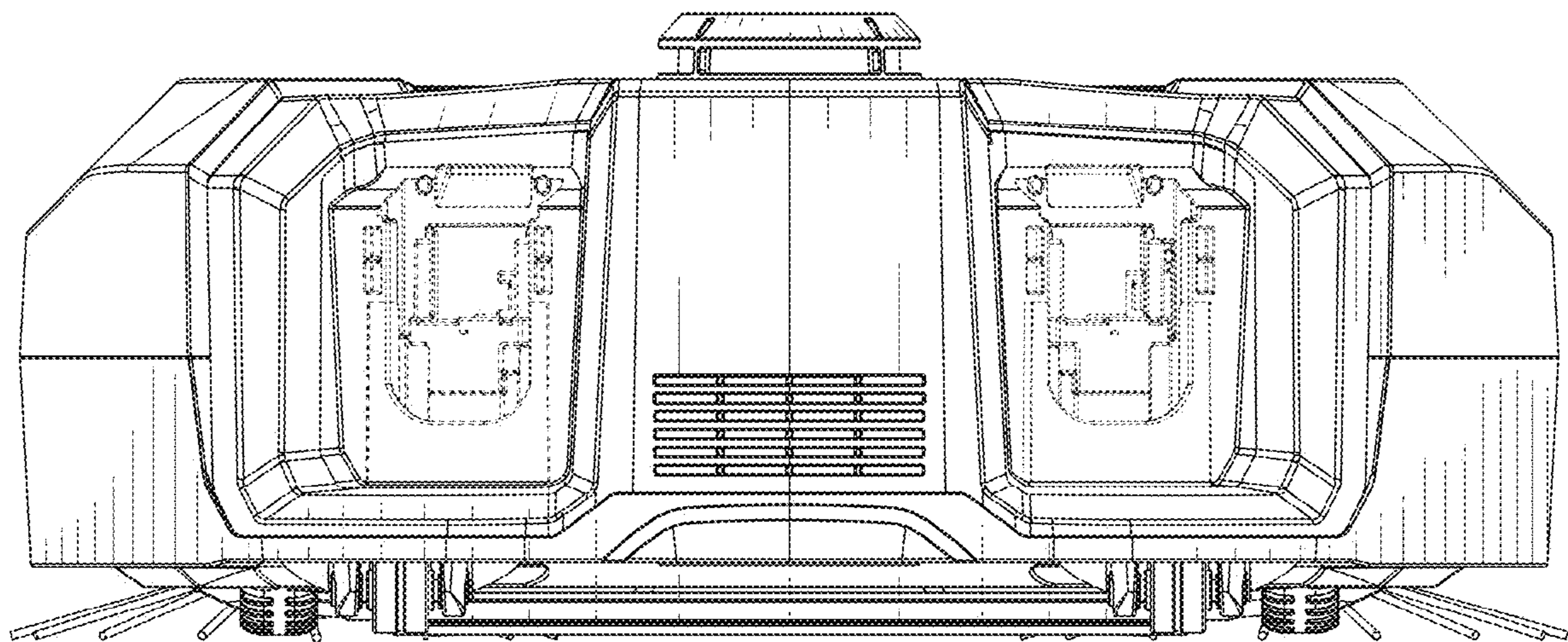


FIG. 3

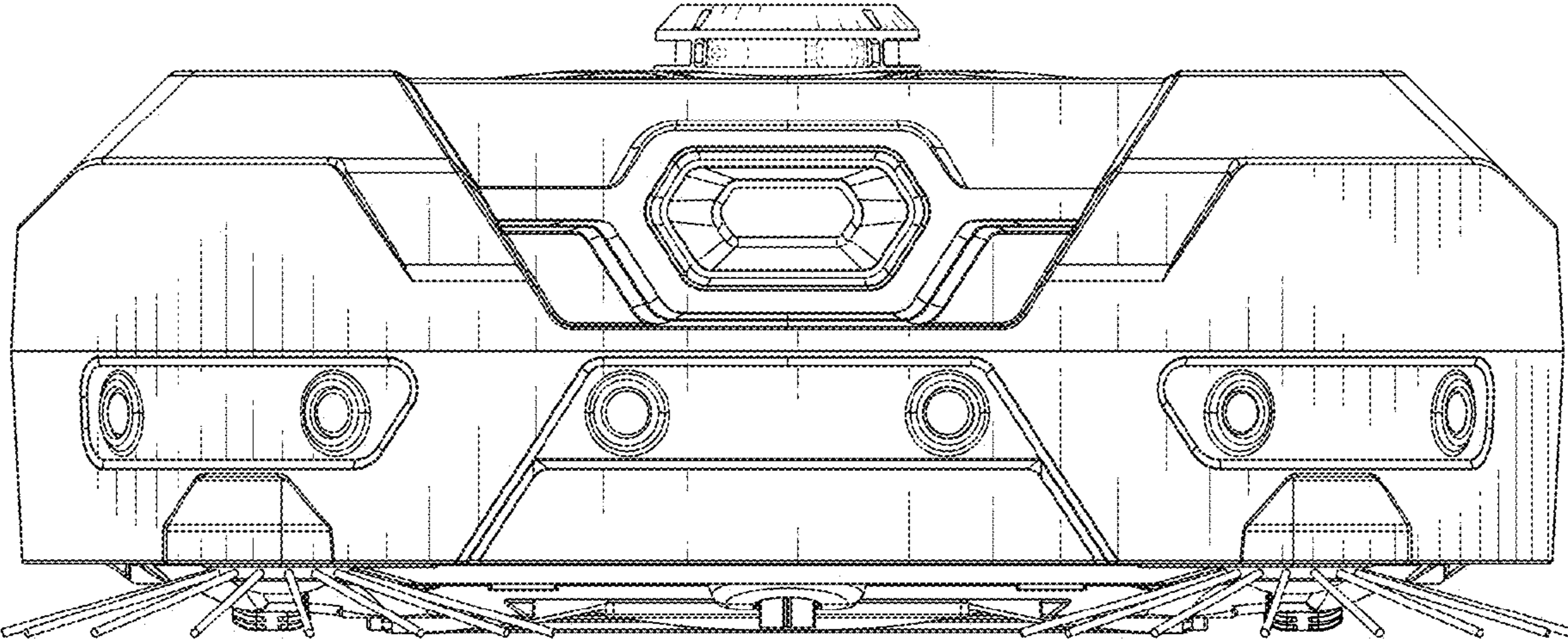


FIG. 4

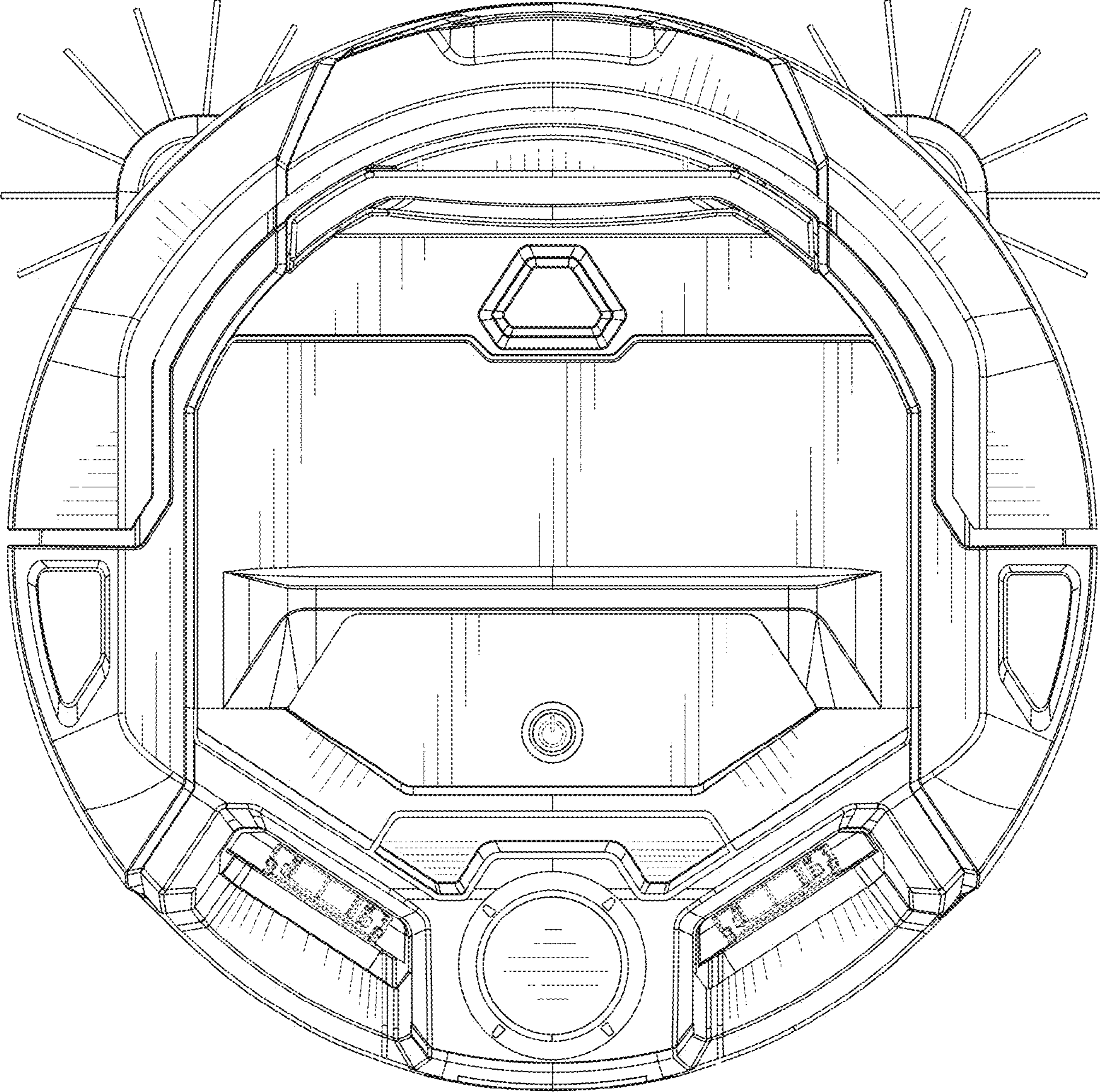


FIG. 5

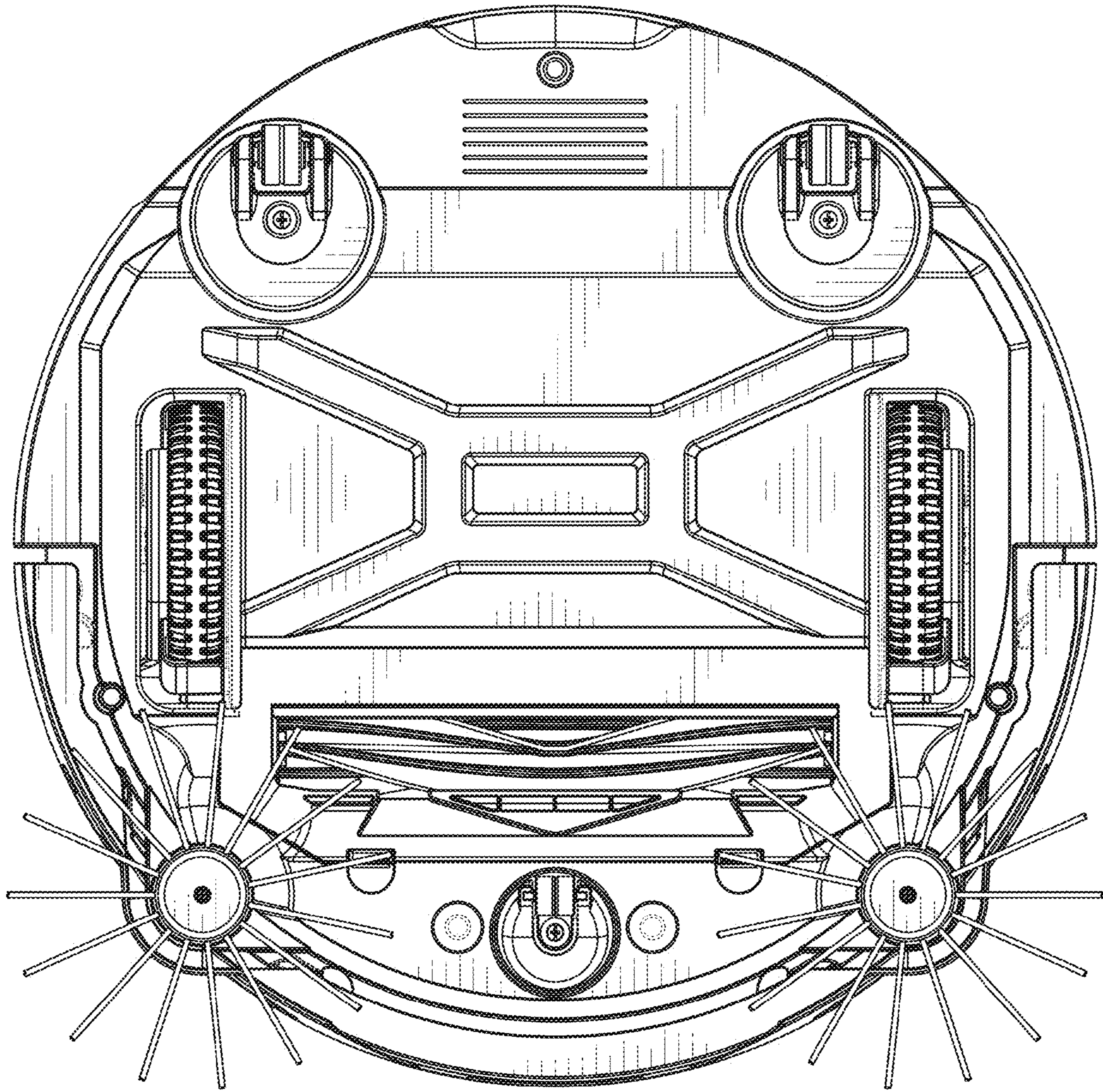


FIG. 6

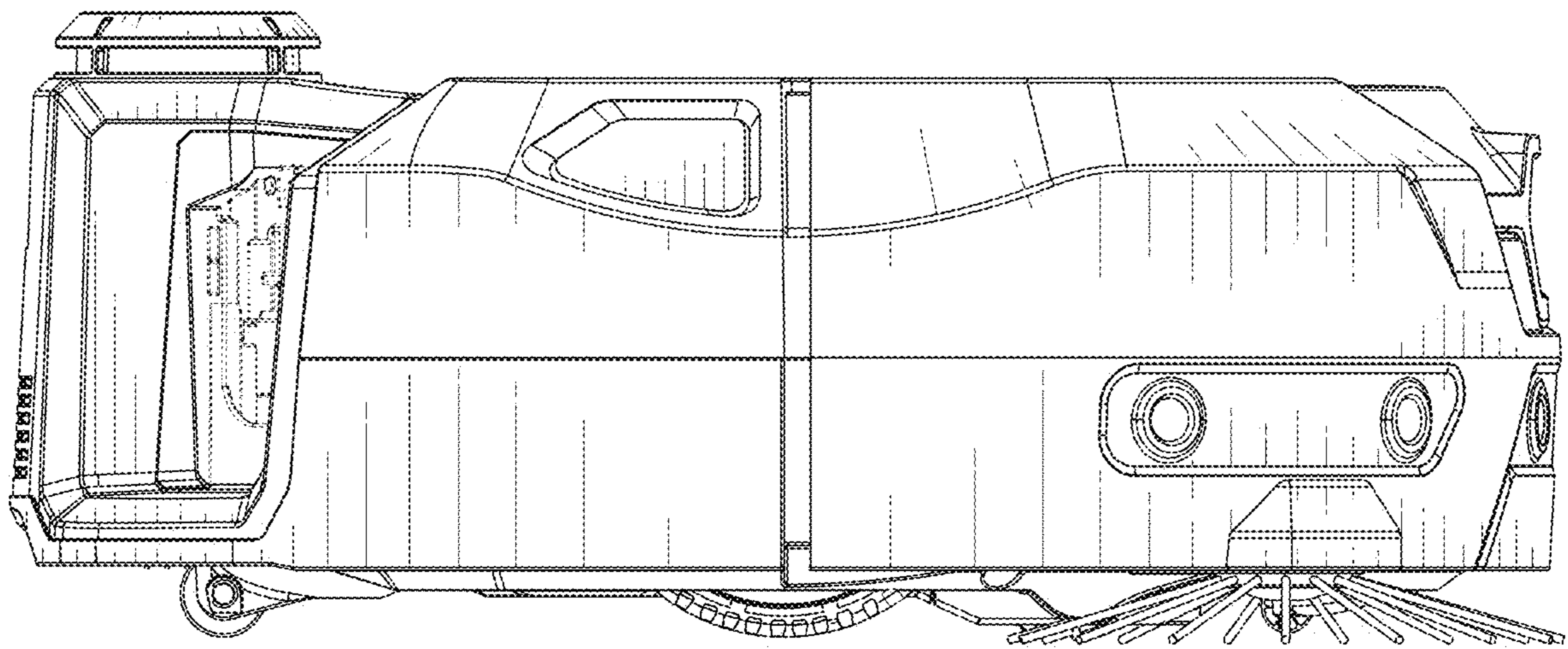


FIG. 7

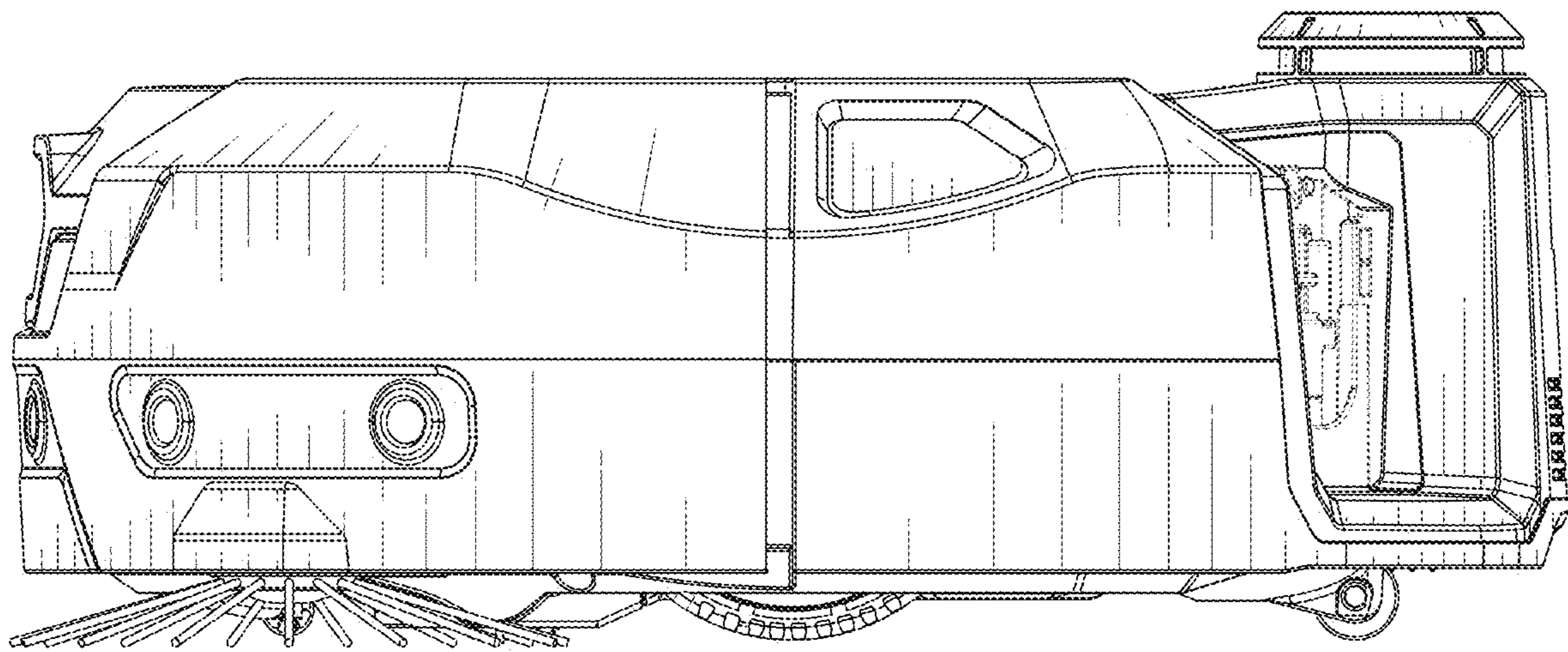


FIG. 8

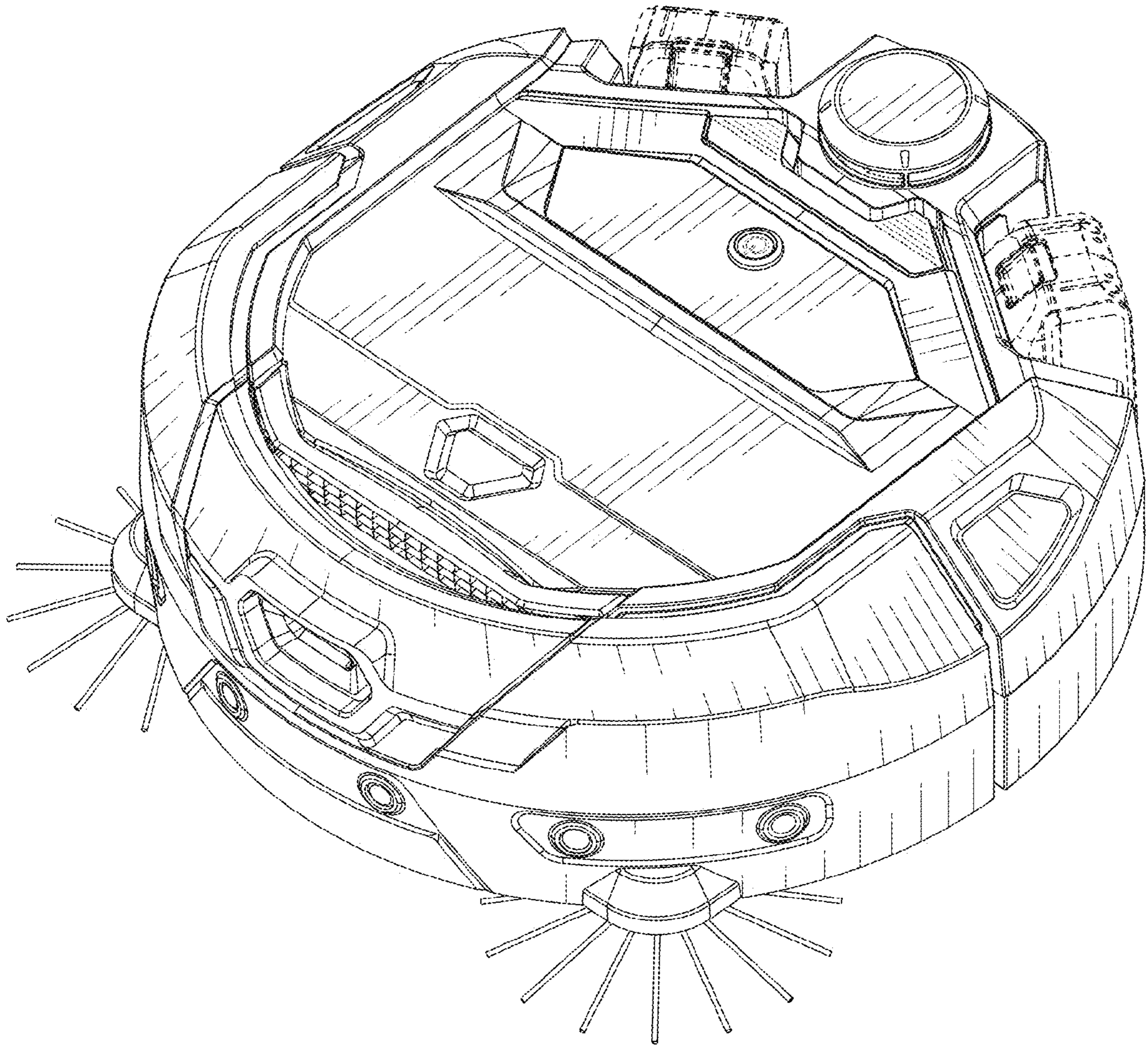


FIG. 9