



US00D938675S

(12) **United States Design Patent** (10) **Patent No.:** **US D938,675 S**
Burgess et al. (45) **Date of Patent:** **** Dec. 14, 2021**

(54) **HANDHELD CLEANER**

FOREIGN PATENT DOCUMENTS

(71) Applicant: **TECHTRONIC CORDLESS GP,**
Anderson, SC (US)

CN 306004369 * 8/2020
GB 6084822 * 3/2020

(Continued)

(72) Inventors: **Roderick Burgess,** Charlotte, NC (US);
Steven Martise, Gahanna, OH (US)

OTHER PUBLICATIONS

(73) Assignee: **Techtronic Cordless GP,** Anderson, SC
(US)

Hoover DustChaser Cordless Vacuum Cleaner, available in Amazon.com, customer review oldest date Jul. 11, 2020 [online], [site visited Apr. 20, 2021], Available from the internet URL: https://www.amazon.com/dp/B089WWK2C6/ref=cm_sw_r_em_apc_glc_fabc_4R54EKGR09AQ96ZDAA9A (Year: 2020).*

(Continued)

(**) Term: **15 Years**

(21) Appl. No.: **29/705,840**

(22) Filed: **Sep. 16, 2019**

(51) **LOC (13) Cl.** **15-05**

(52) **U.S. Cl.**
USPC **D32/18**

(58) **Field of Classification Search**
USPC D32/17, 18, 21, 22, 23, 24, 31; D21/526
CPC A46B 9/06; A47L 5/24; A47L 5/28; A47L 5/30; A47L 5/34; A47L 7/0004; A47L 9/04; A47L 9/325; A47L 9/1683; A47L 11/302; A47L 11/34; A47L 11/4005; A47L 11/4008; A47L 11/4016; A47L 11/4041; A47L 11/4044; A47L 11/4088; A47L 13/225; B04C 5/185; B08B 3/04; B23Q 11/0046; B23Q 11/0071; E04H 4/1636

See application file for complete search history.

Primary Examiner — Dana K Weiland

Assistant Examiner — Jennylou M Binas

(74) *Attorney, Agent, or Firm* — Michael Best & Friedrich LLP

(57) **CLAIM**

We claim the ornamental design for a handheld cleaner, as shown and described.

DESCRIPTION

FIG. 1 is a front perspective view of a handheld cleaner showing our new design.

FIG. 2 is a front view of the handheld cleaner of FIG. 1.

FIG. 3 is a back view of the handheld cleaner of FIG. 1.

FIG. 4 is a right side view of the handheld cleaner of FIG. 1.

FIG. 5 is a left side view of the handheld cleaner of FIG. 1.

FIG. 6 is a top view of the handheld cleaner of FIG. 1; and,

FIG. 7 is a bottom view of the handheld cleaner of FIG. 1.

The elements shown in broken lines are included for the purpose of showing portions of the handheld cleaner that form no part of the claimed design.

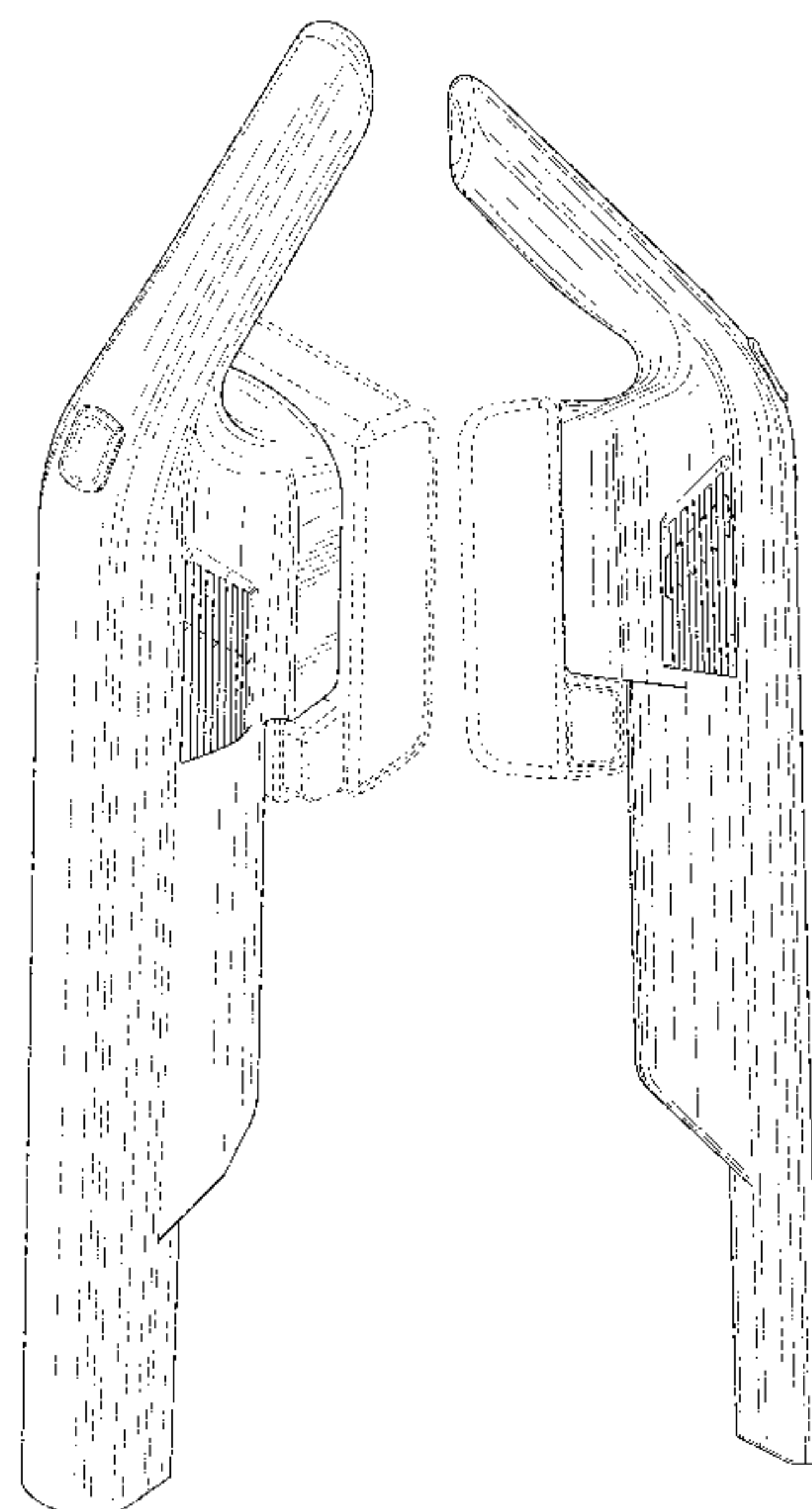
(56) **References Cited**

U.S. PATENT DOCUMENTS

D280,033 S * 8/1985 Miyamoto D32/18
D290,894 S * 7/1987 Miyamoto D32/18
D296,486 S * 6/1988 Staubitz D32/22
D303,173 S * 8/1989 Miyamoto D32/22
D323,725 S * 2/1992 Gierke D32/15
D348,548 S * 7/1994 Pino D32/18

(Continued)

1 Claim, 4 Drawing Sheets



(56)

References Cited

OTHER PUBLICATIONS

U.S. PATENT DOCUMENTS

5,337,443 A * 8/1994 Steinberg A47L 5/225
15/344
D398,099 S * 9/1998 Leung D32/22
D404,857 S * 1/1999 Ng D32/18
D405,929 S * 2/1999 Sovis D32/22
D433,546 S * 11/2000 Milanese D32/17
D489,849 S * 5/2004 Ki D32/18
D550,152 S * 9/2007 Okuda D13/103
D555,086 S * 11/2007 Zhang D13/103
D641,112 S * 7/2011 Lee D32/34
D660,527 S * 5/2012 Kawase D32/18
D743,125 S * 11/2015 Lee D32/22
D854,266 S * 7/2019 Gammack D32/18
D861,268 S * 9/2019 Meyer D32/22
D884,600 S * 5/2020 Zhou D13/103
D907,315 S * 1/2021 Tokoi D32/34
D923,888 S * 6/2021 Liu D32/21
2019/0090701 A1 3/2019 Tonderys et al.
2019/0282056 A1 9/2019 Conrad et al.
2020/0350635 A1 * 11/2020 Counts H01M 50/54
2021/0204767 A1 * 7/2021 Burgess A47L 5/28
2021/0204768 A1 * 7/2021 Scott A47L 5/225
2021/0204769 A1 * 7/2021 Thomas A47L 5/24
2021/0204770 A1 * 7/2021 Terry A47L 5/28

FOREIGN PATENT DOCUMENTS

GB 6084823 * 3/2020
GB 6084824 * 3/2020
GB 6084825 * 3/2020
JP D1668008 * 9/2020
KR 301085120.0000 * 12/2020

E-ACE Portable Handheld Vacuum Cleaner Cordless, available in Amazon.ca, date first available date Dec. 2, 2020 [online], [site visited date May 17, 2021], Available from the internet URL: https://www.amazon.ca/dp/B08MFBJQQY/ref=cm_sw_em_r_mt_imm_awdb_0RHZV3FHDKHA50FVBG20?_encoding=UTF8&pssc=1 (Year: 2020).*

Beldray BEL0944SL Revo Cordless Handheld Vacuum Cleaner, available in Amazon.co.uk, date first available date Dec. 1, 2019 [online], [site visited date May 17, 2021], Available from the internet . . . URL: https://www.amazon.co.uk/Beldray-BEL0944SL-Cordless-Handheld-Cleaner/dp/B082KZ6J26/ref=sr_1_3?dchild=1&keywords=Beldray+BEL0944SL+Revo+Cordless+Handheld+Vacuum&qid=1621351492&s=kitchen&sr=1-3 (Year: 2019).*

Shark W1, Handheld Vacuum, available in Amazon.co.uk, date first available Aug. 13, 2018 [online], [site visited May 4, 2021, Available from the internet . . . https://www.amazon.co.uk/Handheld-Lightweight-Powerful-Detachable-WV201/dp/B07FX5K4D6/ref=sr_1_3?dchild=1&keywords=Shark+W1%2C+Handheld+Vacuum&qid=1620182094&s=kitchen&sr=1-3 (Year: 2018).*

Hoover Complete Smartwash Pet Automatic Carpet Cleaner, available in Amazon.ca, date first available date Mar. 20, 2020 [online], [site visited date May 17, 2021], Available from the internet https://www.amazon.ca/Hoover-Complete-SmartWash-Automatic-FH53000PC/dp/B085WP2N4Q/ref=sr_1_5?dchild=1&keywords=Hoover+Complete+SmartWash+Pet+Automatic+Carpet+Cleaner&qid=1621356628&sr=8-5 (Year: 2020).*

* cited by examiner

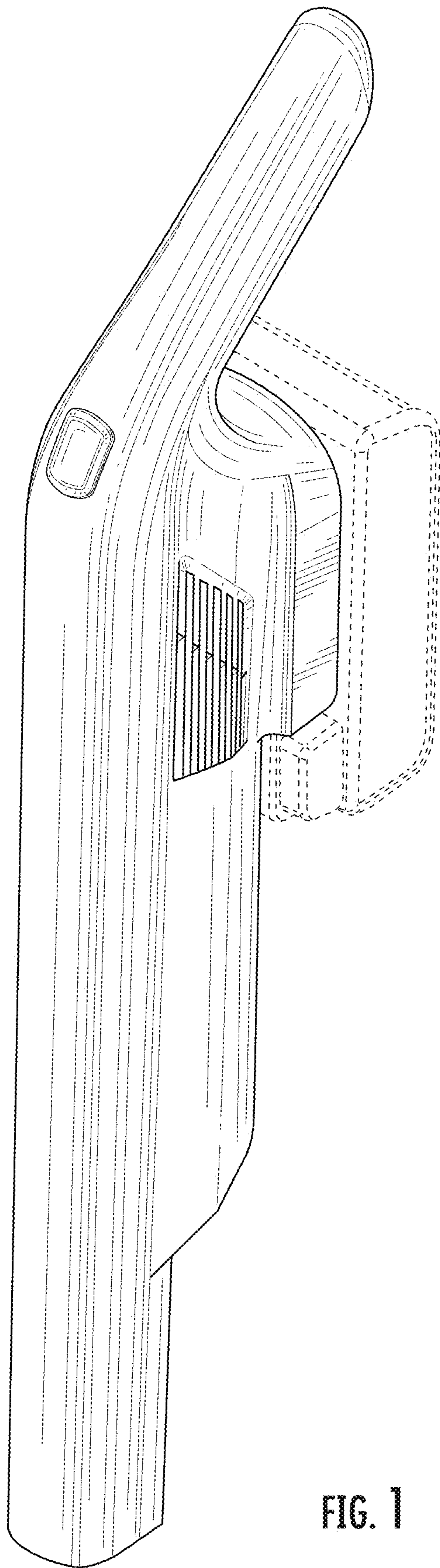


FIG. 1

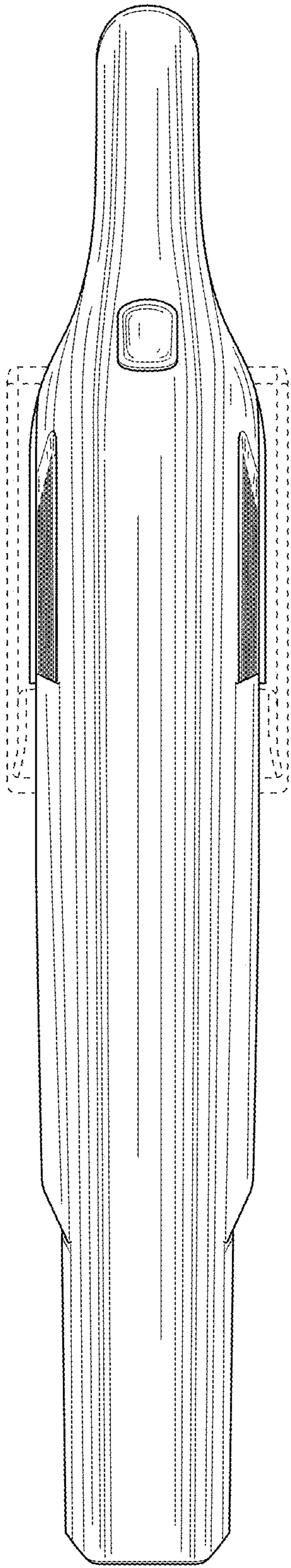


FIG. 2

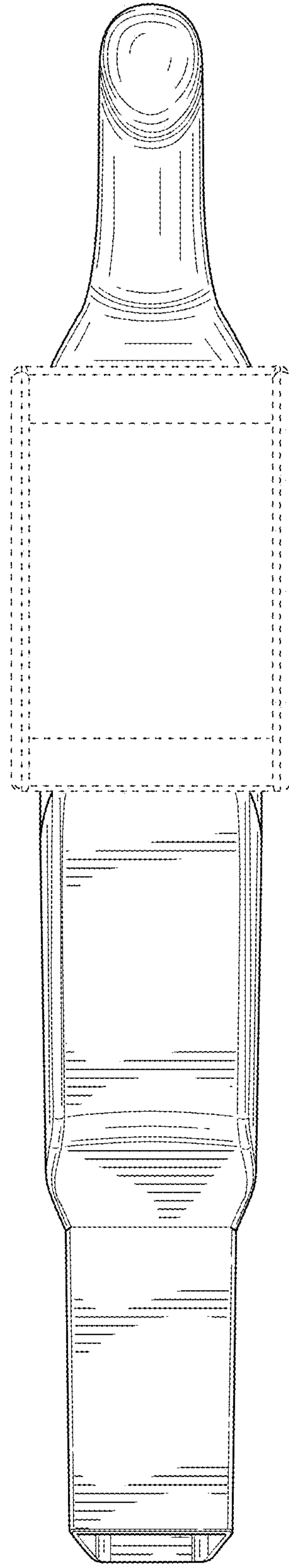


FIG. 3

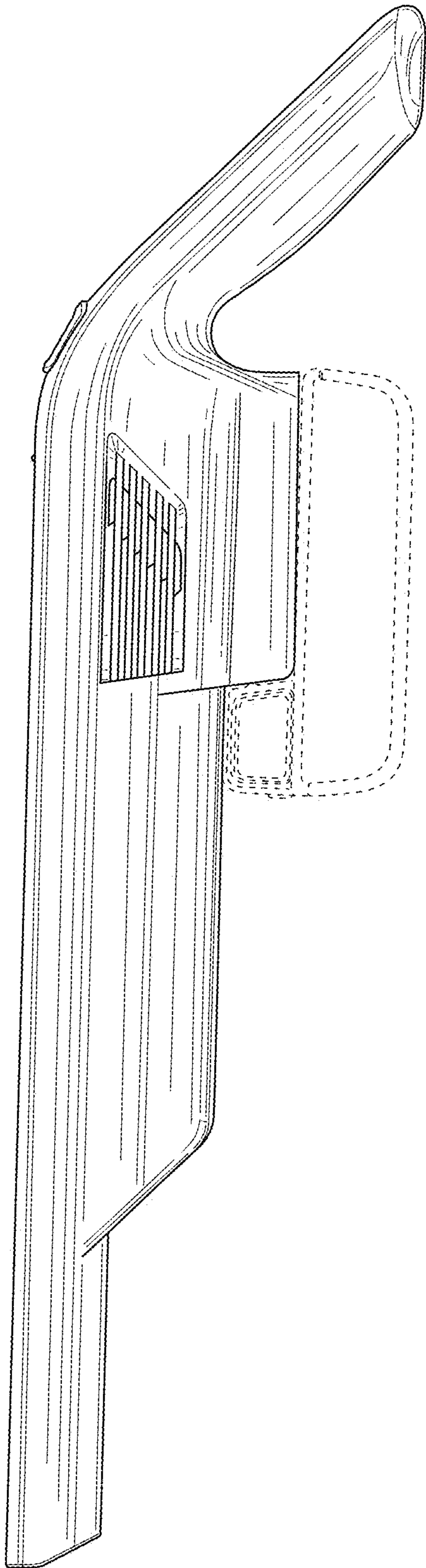


FIG. 4

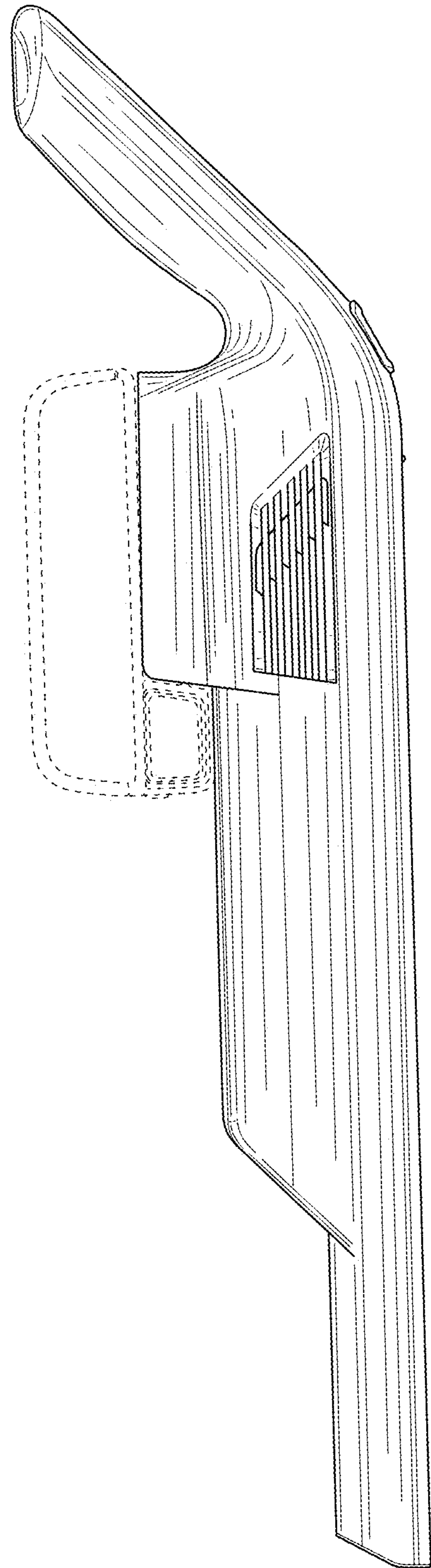


FIG. 5

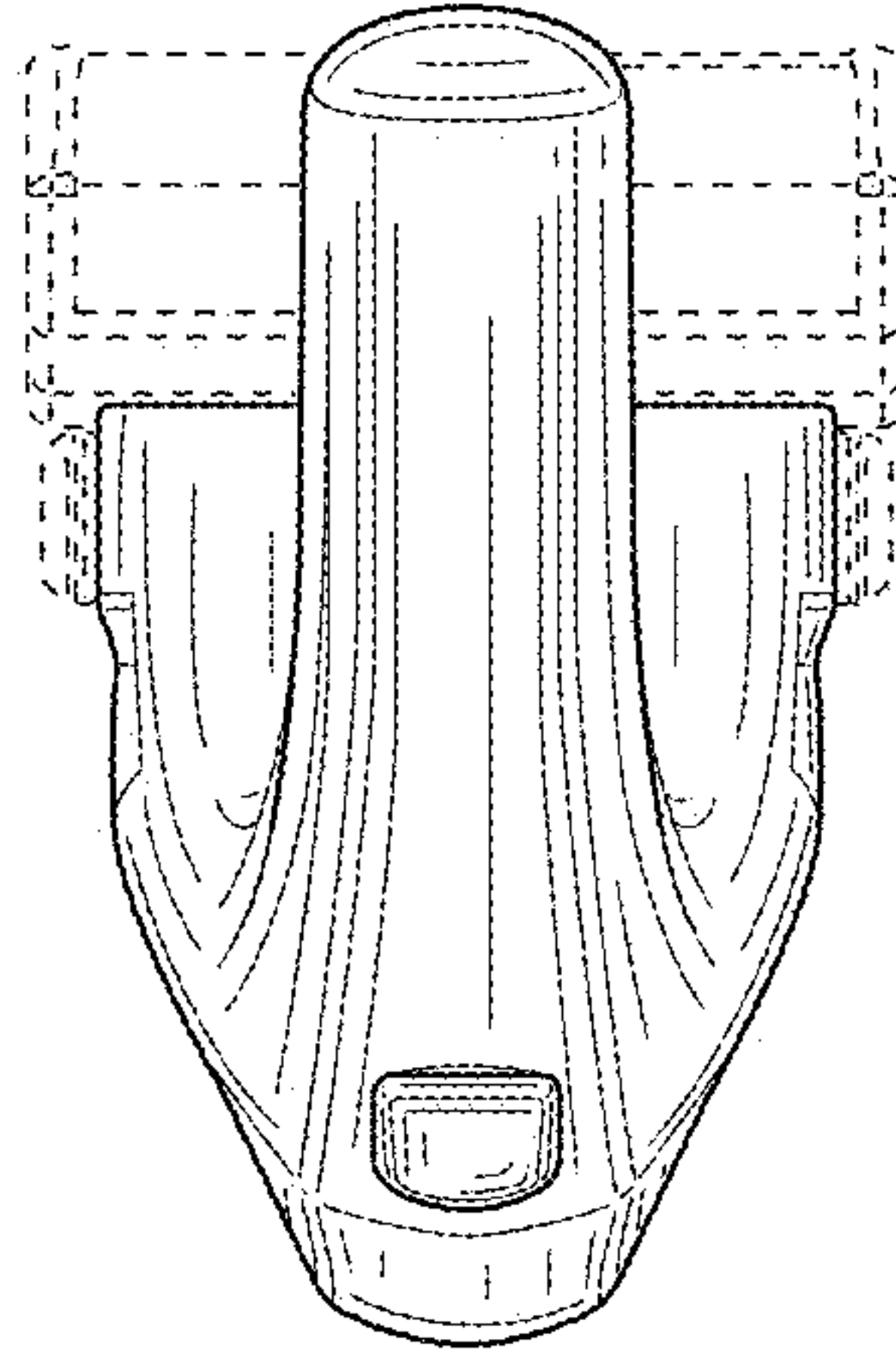


FIG. 6

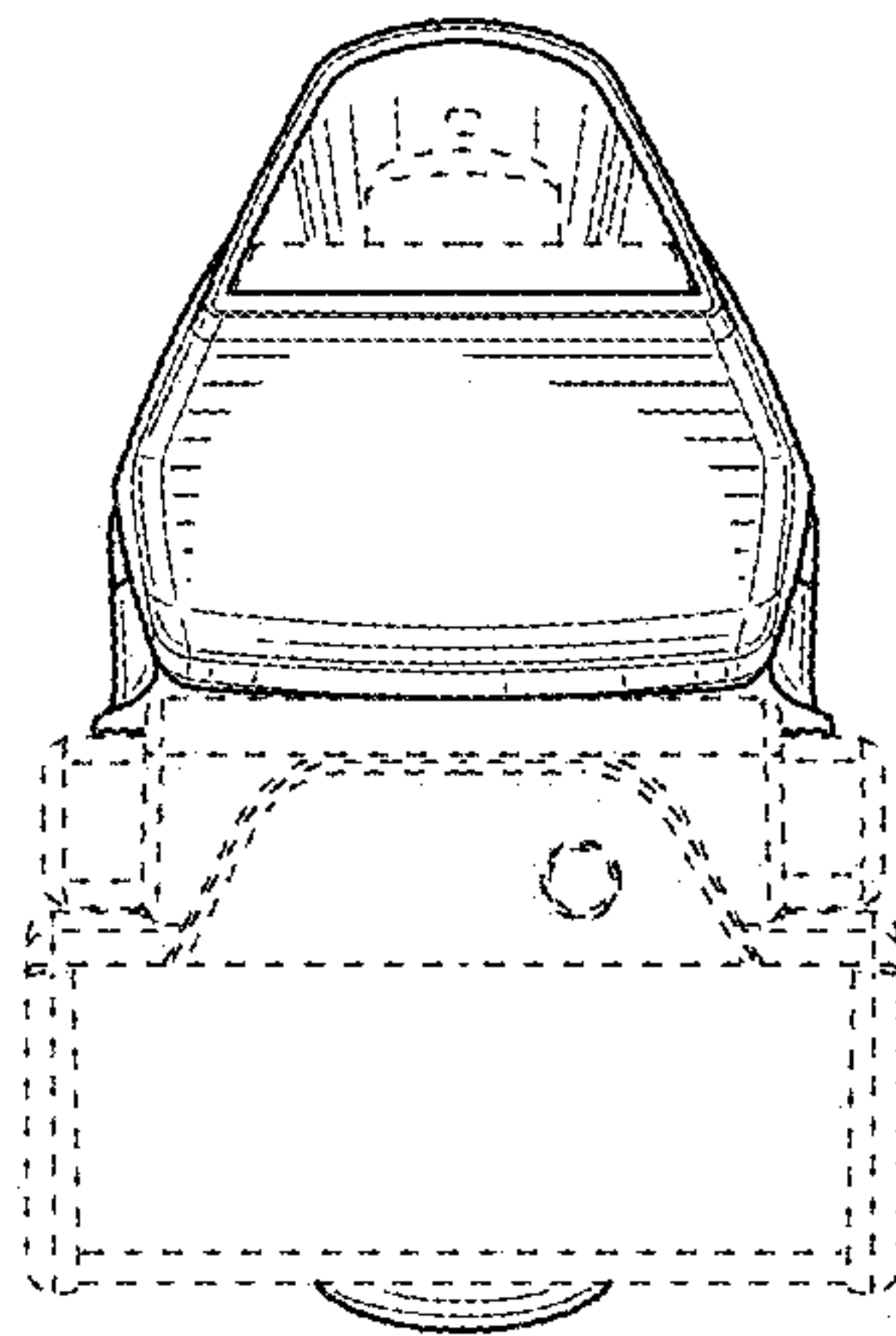


FIG. 7