



US00D938673S

(12) **United States Design Patent** (10) **Patent No.:** **US D938,673 S**
Kanchibhotla et al. (45) **Date of Patent:** **** Dec. 14, 2021**

(54) **PRESSURE WASHER**

(71) Applicant: **Harbor Freight Tools USA, INC.**,
Calabasas, CA (US)

(72) Inventors: **Srikanth Kanchibhotla**, Thousand
Oaks, CA (US); **Jeffrey N. Cutler**,
Anderson, SC (US)

(73) Assignee: **Harbor Freight Tools USA, Inc.**,
Calabasas, CA (US)

(**) Term: **15 Years**

(21) Appl. No.: **29/786,939**

(22) Filed: **Jun. 3, 2021**

Related U.S. Application Data

(62) Division of application No. 29/663,805, filed on Sep.
19, 2018, now Pat. No. Des. 925,844.

(51) **LOC (13) Cl.** **15-05**

(52) **U.S. Cl.**
USPC **D32/16**

(58) **Field of Classification Search**
USPC D15/9; D32/8, 15, 16, 17, 25; D23/225
CPC B05B 9/0855; B05B 7/32; B05B 12/002;
B05B 12/00; B05B 7/2472; B05B 9/007;
B60K 17/06; B08B 3/026; B08B 13/00;
A01B 59/064; F02N 11/0803; B62D
11/12; G05D 23/1951
See application file for complete search history.

(56) **References Cited**

U.S. PATENT DOCUMENTS

D458,423 S 6/2002 Rehkugler
D459,851 S 7/2002 Rehkugler
D532,942 S * 11/2006 Busschaert D32/15
7,316,286 B2 * 1/2008 Hillary B05B 9/0855
180/291

D579,612 S 10/2008 Rutkowski
D590,110 S 4/2009 Hawkins
D596,817 S 7/2009 Glass
D633,263 S 2/2011 Fay
D634,083 S * 3/2011 Fay D32/15
D639,001 S 5/2011 Alexander
D647,174 S * 10/2011 Henderson D23/225
D648,082 S * 11/2011 Alexander D32/15
D665,545 S * 8/2012 Alexander D32/15
D688,841 S 8/2013 van Deursen

(Continued)

OTHER PUBLICATIONS

Blueberry https://www.amazon.com/Blueberry-Pressure-Adjustable-Nozzles%EF%BC%8C50Ft-Compliant/dp/B08ZSL1Z3M/ref=asc_df_B08ZSL1Z3M/ (Year: 2021).*

(Continued)

Primary Examiner — Michelle E. Wilson
Assistant Examiner — Richard E Yenchesky
(74) *Attorney, Agent, or Firm* — McAndrews Held & Malloy, Ltd.

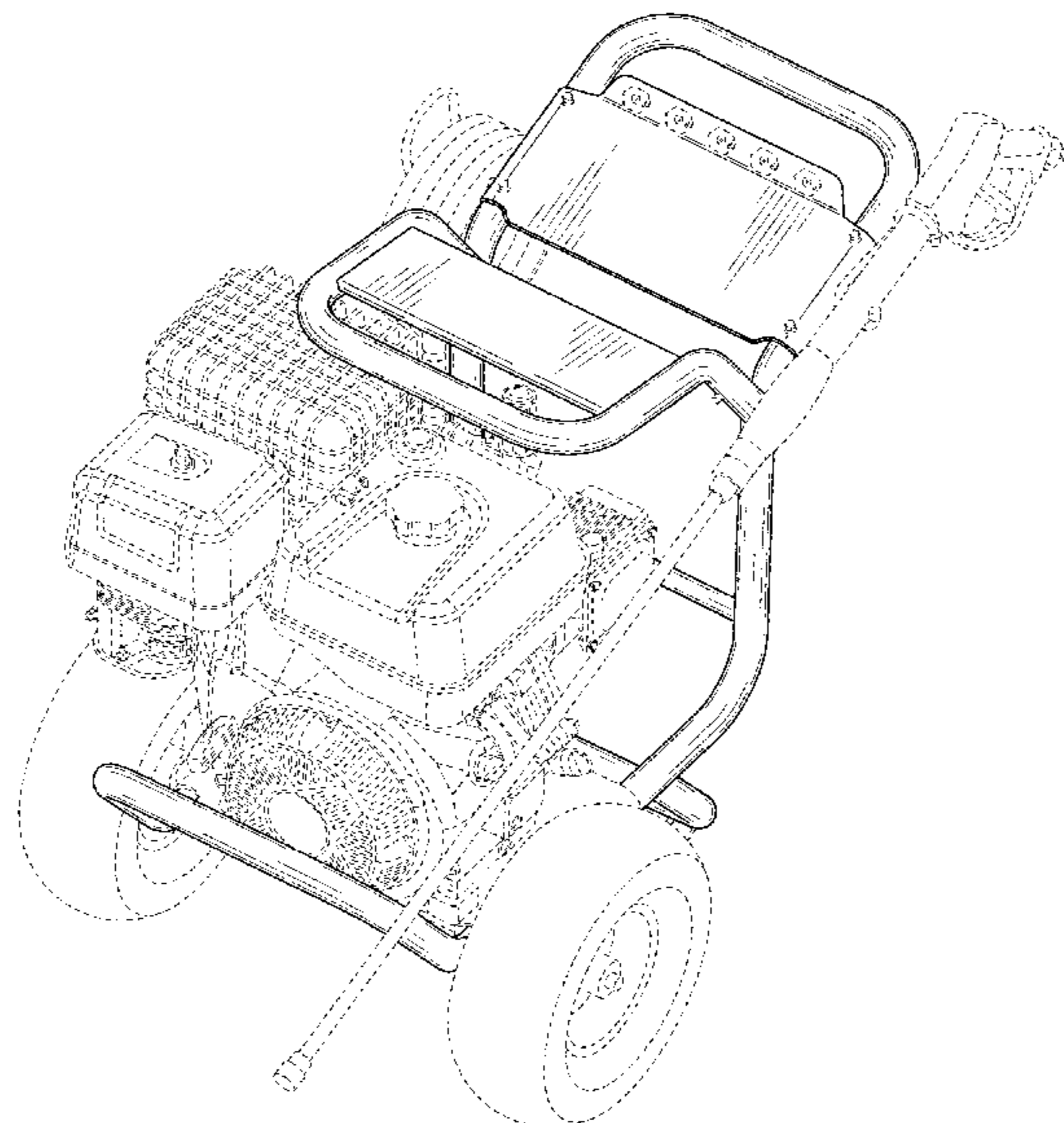
(57) **CLAIM**

The ornamental design for a pressure washer, as shown and described.

DESCRIPTION

FIG. 1 is a top-front perspective view of a pressure washer showing our new design;
FIG. 2 is a front elevation view thereof;
FIG. 3 is a rear elevation thereof;
FIG. 4 is a right side elevation view thereof;
FIG. 5 is a left side elevation view thereof;
FIG. 6 is a top plan view thereof;
FIG. 7 is a bottom plan view thereof; and,
FIG. 8 is a bottom-rear perspective view thereof.
The dashed broken lines in the figures illustrate portions of the pressure washer that form no part of the claimed design.

1 Claim, 8 Drawing Sheets



(56)

References Cited

U.S. PATENT DOCUMENTS

D702,900 S * 4/2014 Kahan D32/16
 D732,764 S 6/2015 Kennard
 D733,373 S 6/2015 Kahan
 D749,805 S * 2/2016 Janik D32/16
 D778,011 S * 1/2017 Alexander D32/16
 D779,744 S * 2/2017 Weinberg D32/16
 D779,745 S * 2/2017 Weinberg D32/16
 D779,746 S * 2/2017 Weinberg D32/16
 D824,612 S 7/2018 Alexander
 D824,613 S 7/2018 Alexander
 D833,696 S * 11/2018 Bearup D32/25
 D834,269 S 11/2018 Masters
 D836,272 S * 12/2018 Janik D32/15
 D839,512 S * 1/2019 Bearup D32/25
 D854,763 S 7/2019 Alexander
 D870,410 S 12/2019 Alexander
 D870,411 S 12/2019 Alexander
 D876,485 S * 2/2020 Pauly D15/9
 D879,394 S * 3/2020 Kranzle D32/16
 D883,333 S * 5/2020 Boccato D15/9
 D883,334 S * 5/2020 Boccato D15/9
 D883,335 S * 5/2020 Boccato D15/9
 D901,799 S * 11/2020 Stariha D32/25
 D910,252 S 2/2021 Schuetz
 D910,942 S 2/2021 Schuetz
 D911,640 S * 2/2021 Schuetz D32/16
 D925,844 S * 7/2021 Kanchibhotla D32/15
 D925,845 S * 7/2021 Alexander D32/15
 D927,102 S * 8/2021 Alexander D32/15
 D930,928 S * 9/2021 Pastor D32/25
 2006/0102745 A1 5/2006 Dexter

2013/0175105 A1 * 7/2013 Gallazzini B62D 11/12
 180/170
 2018/0133729 A1 * 5/2018 Masters B05B 7/32
 2018/0272392 A1 * 9/2018 Jaramillo G05D 23/1951
 2018/0290180 A1 * 10/2018 Luby B08B 3/026
 2019/0009309 A1 * 1/2019 Rickey B05B 9/007
 2019/0015853 A1 * 1/2019 Johnson B05B 7/2472
 2019/0210074 A1 * 7/2019 Chen B05B 12/00
 2020/0001313 A1 * 1/2020 Bindl B05B 12/002
 2020/0003172 A1 * 1/2020 Gilpatrick F02N 11/0803
 2021/0025321 A1 * 1/2021 Johnson A01B 59/064
 2021/0078049 A1 * 3/2021 Nushart B08B 13/00
 2021/0121907 A1 * 4/2021 Weik F16D 3/2057
 2021/0121923 A1 * 4/2021 Werner B08B 13/00
 2021/0122605 A1 * 4/2021 Tost B65H 75/4478
 2021/0178417 A1 * 6/2021 Haglof B08B 3/026
 2021/0270224 A1 * 9/2021 Alexander B60K 17/06

OTHER PUBLICATIONS

Harbor Freight Commercial Duty Pressure Washer <https://www.harborfreight.com/4400-psi-42-gpm-13-hp-420cc-commercial-duty-pressure-washer-carb-64199.html> (Year: 2019).
 Water Blaster Cart, <https://www.condorpumps.co.nz/Pressure-washer-water-blaster-cart-2-wheel> (Year; 2021) (Last accessed Jun. 1, 2021).
 Water Pressure Cart, <https://tts-products.com/karcher-hd-2-3-24-p-liberty-cold-water-pressure-washer-liberty-cart-design-2-3-gpm-2-400-operating-pressure-black-chrome.html> (Year: 2018) (Last accessed Jun. 2, 2021).
 Cold water pressure washer, <https://www.zoro.com/dewalt-light-duty-1500-psi-18-gpm-cold-water-electric-pressure-washer-dxpw1500e/i/G7638486/> (Year: 2018) (Last accessed Jun. 1, 2021).

* cited by examiner

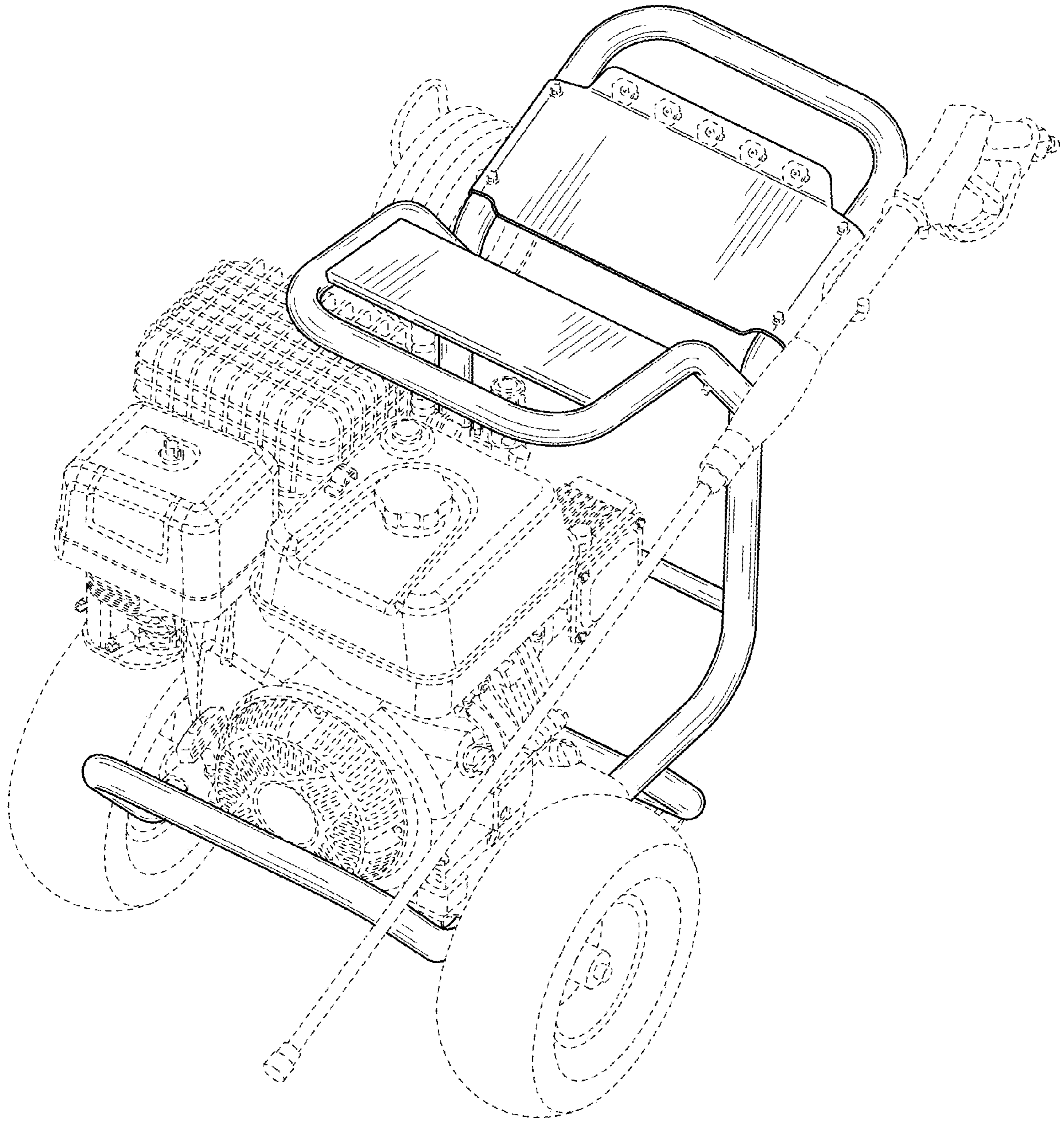


FIG. 1

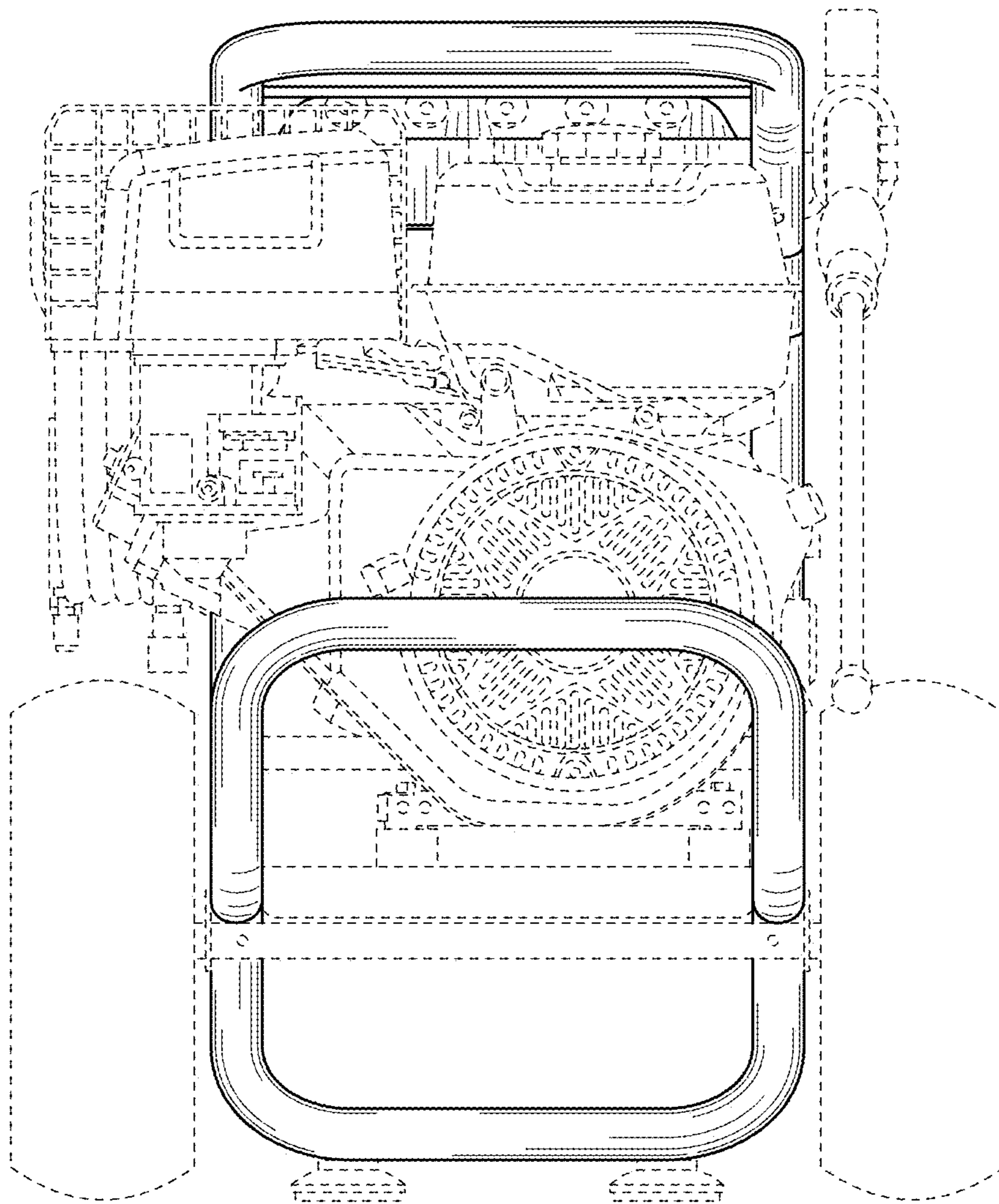


FIG. 2

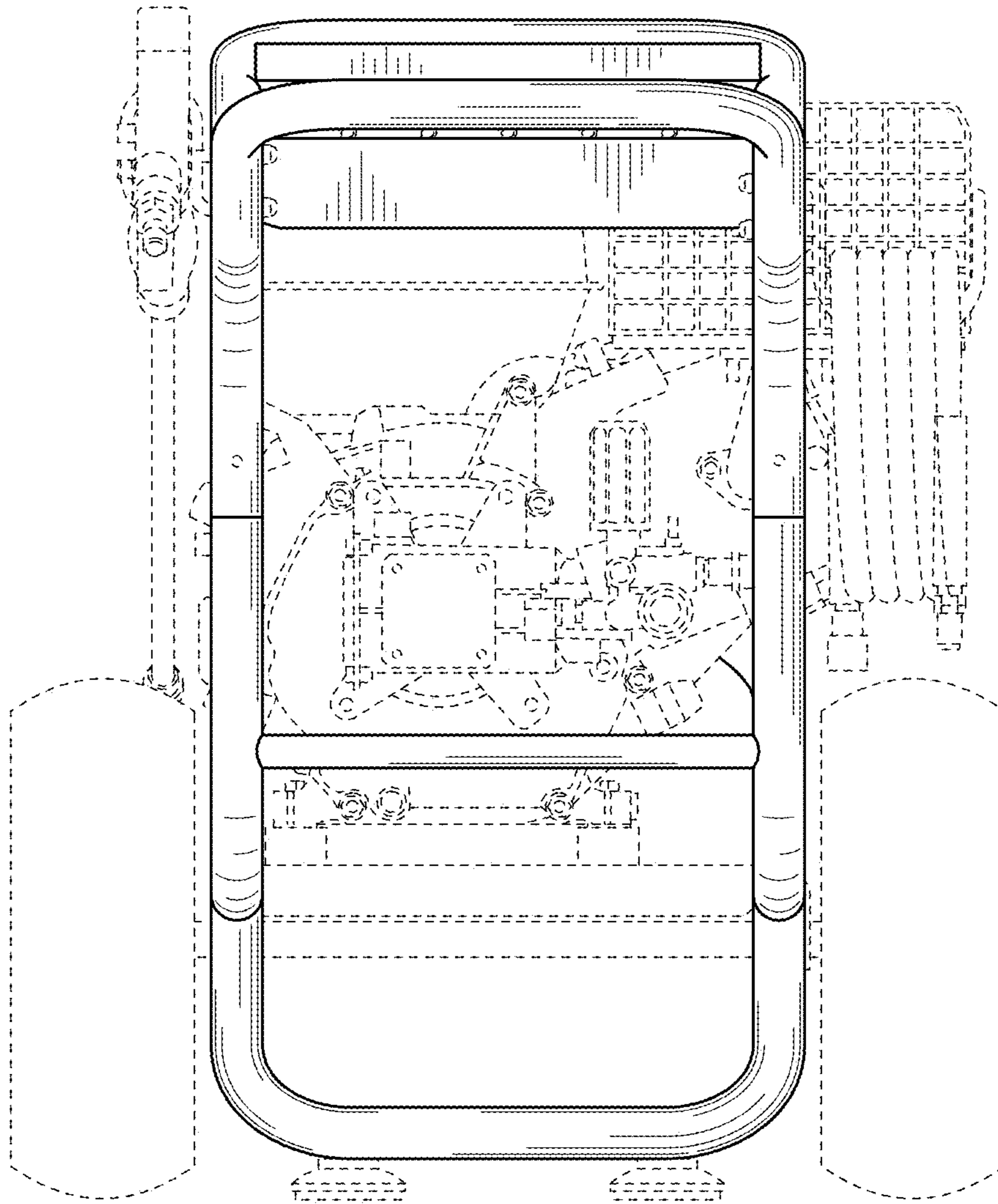


FIG. 3

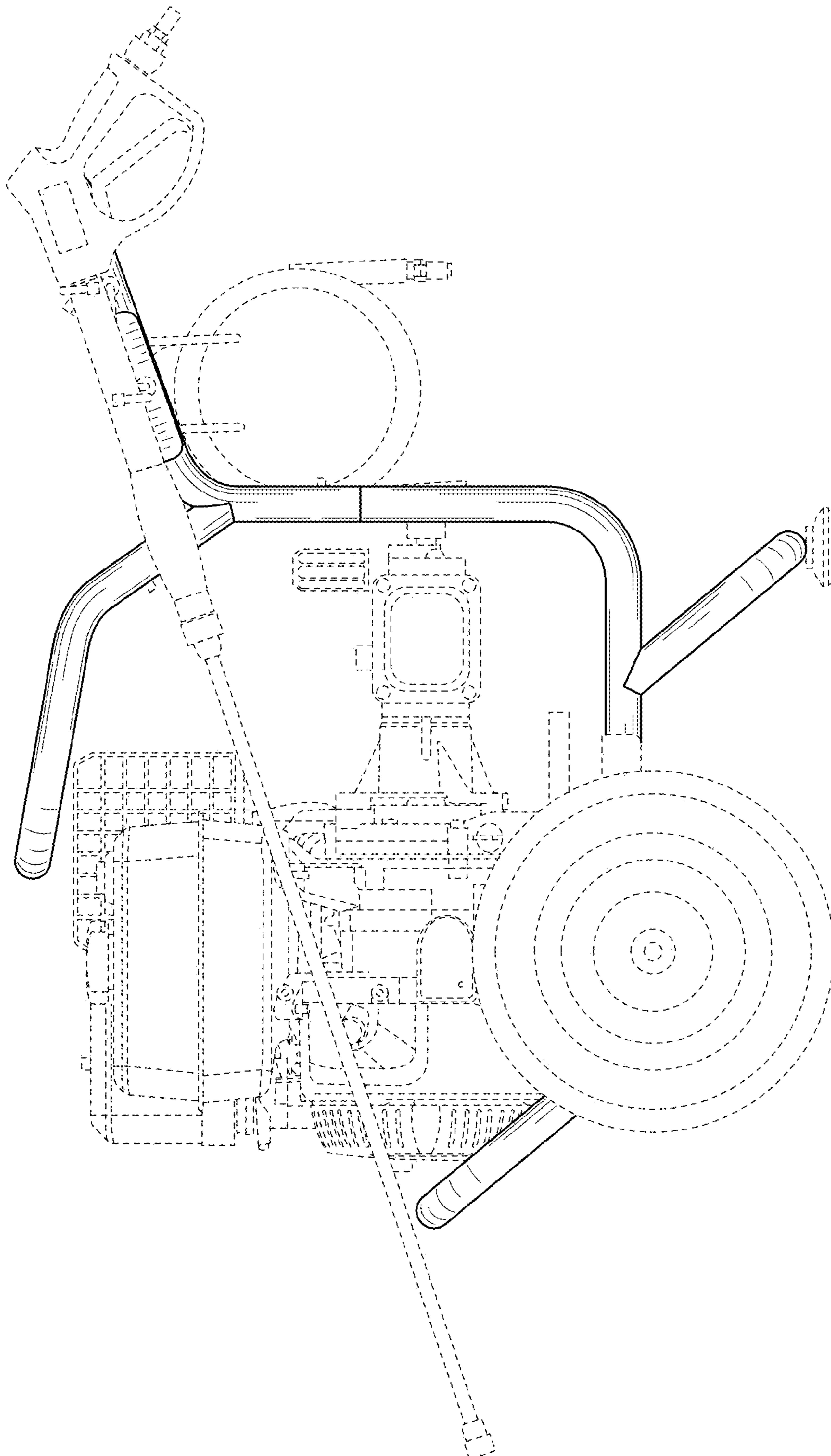


FIG. 4

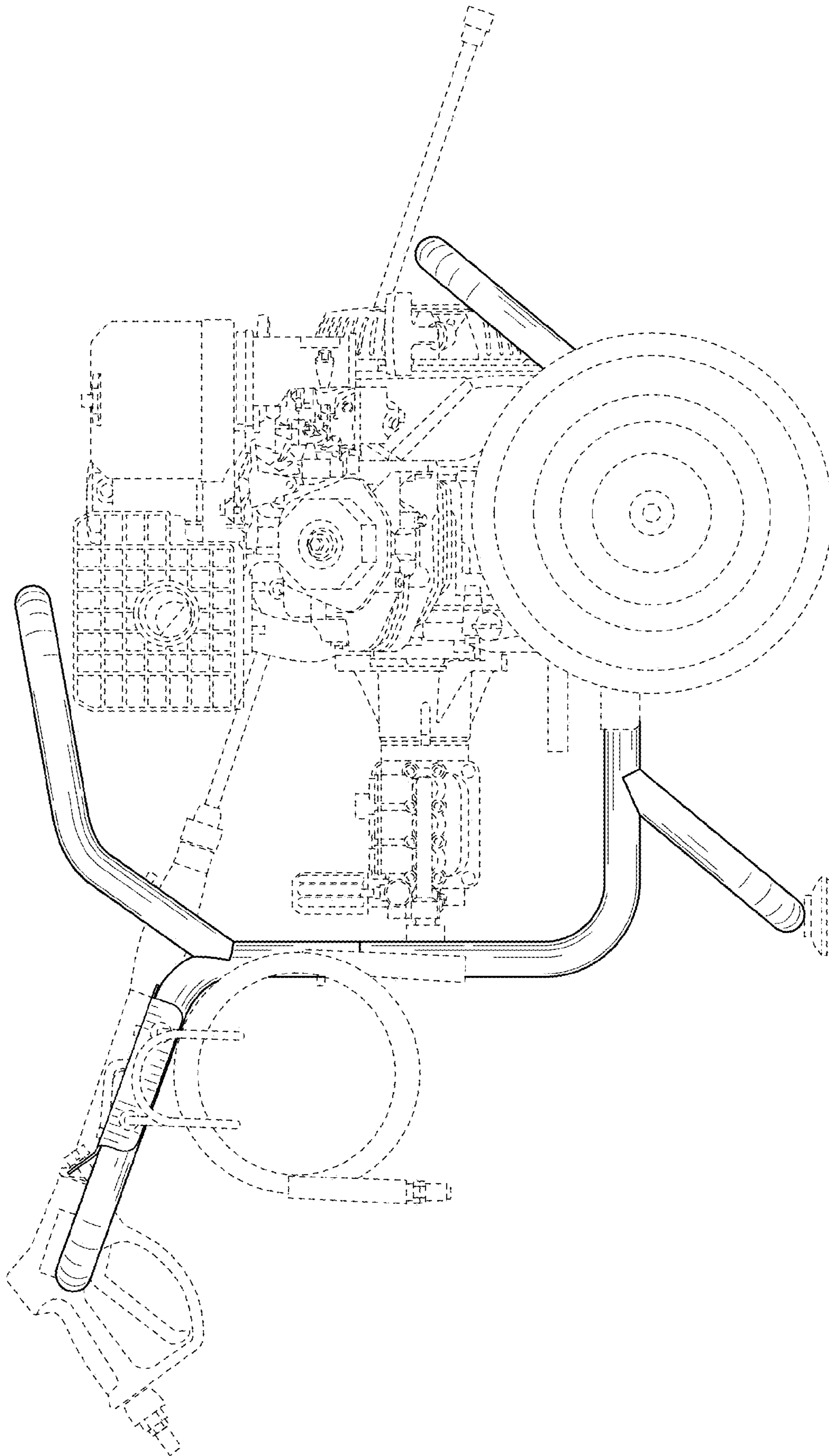


FIG. 5

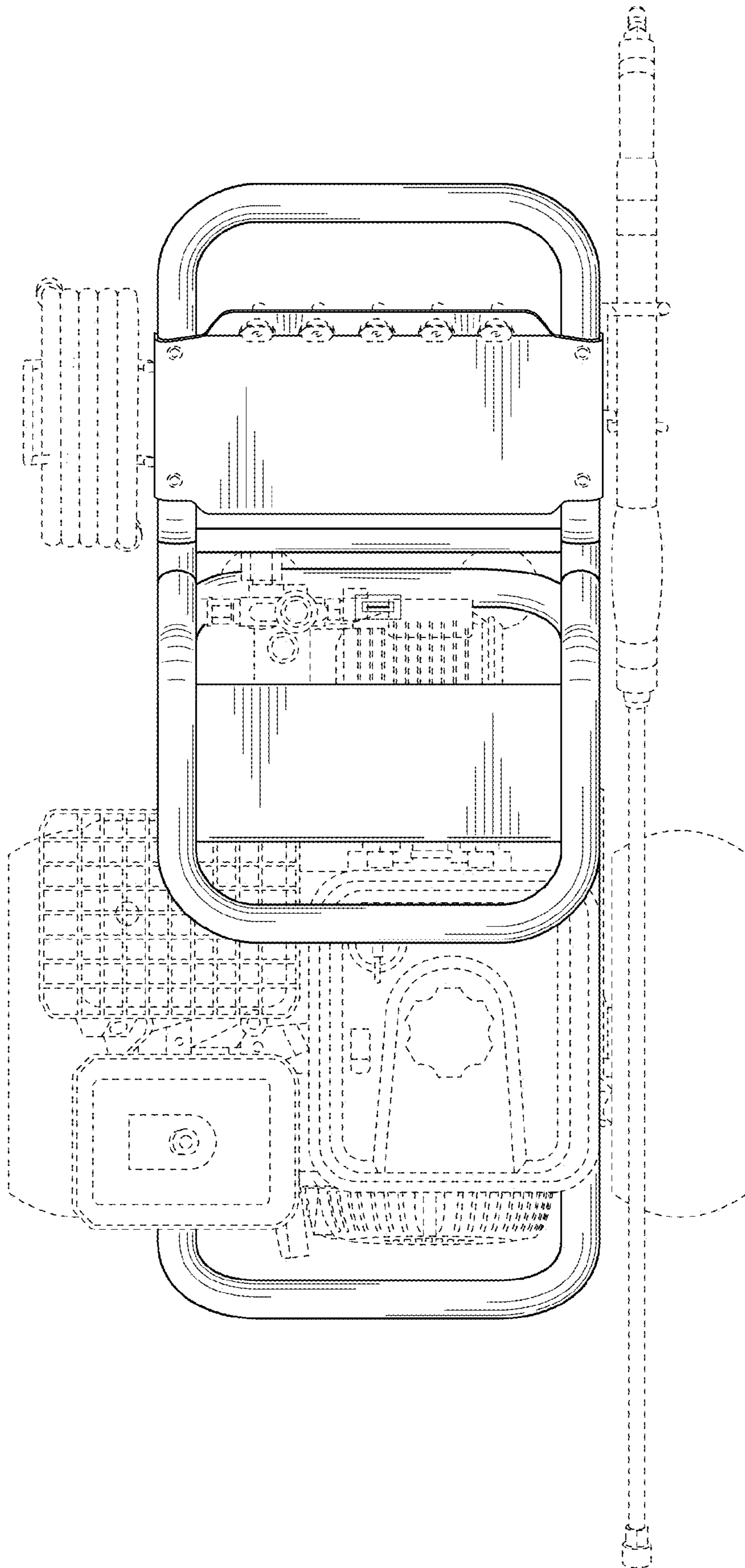


FIG. 6

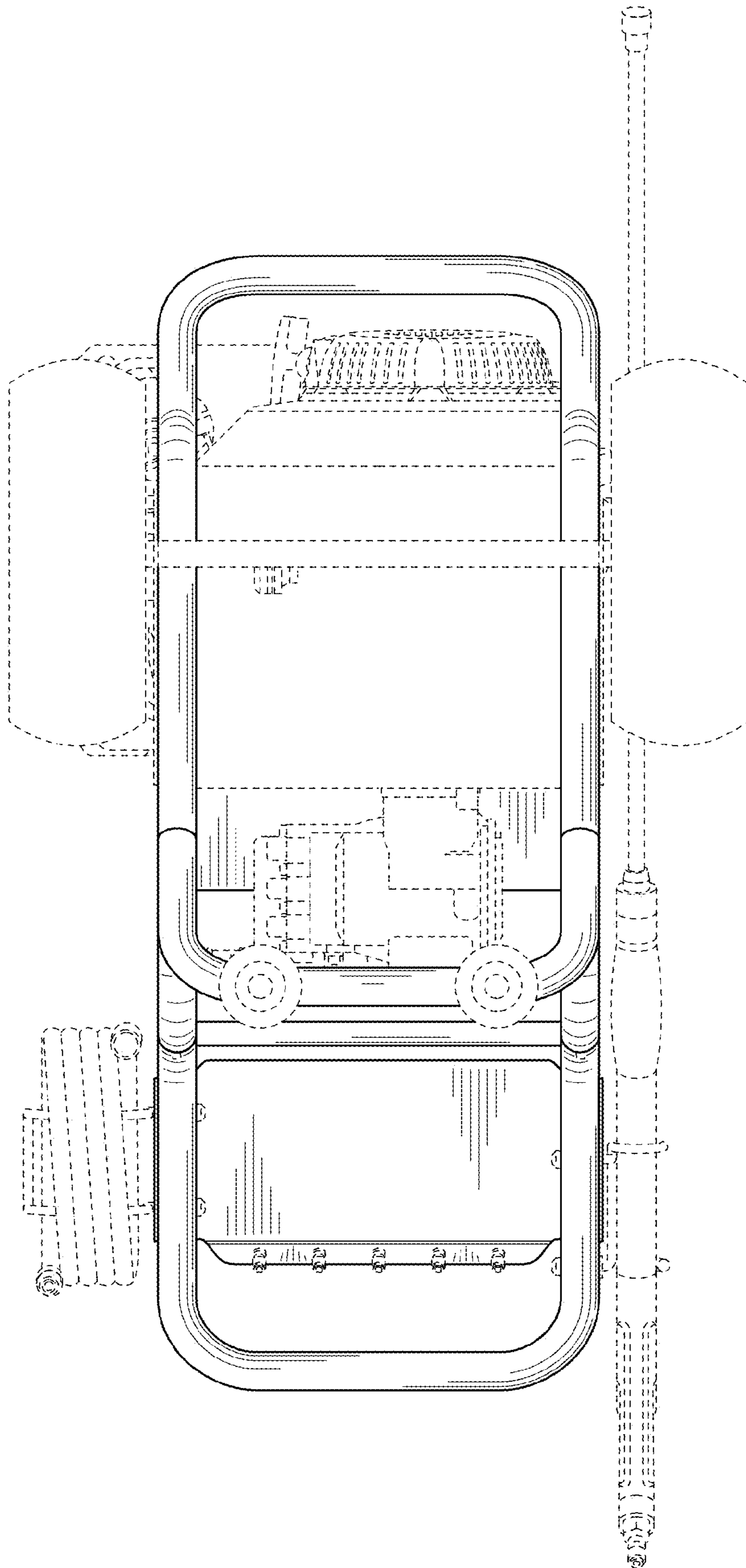


FIG. 7

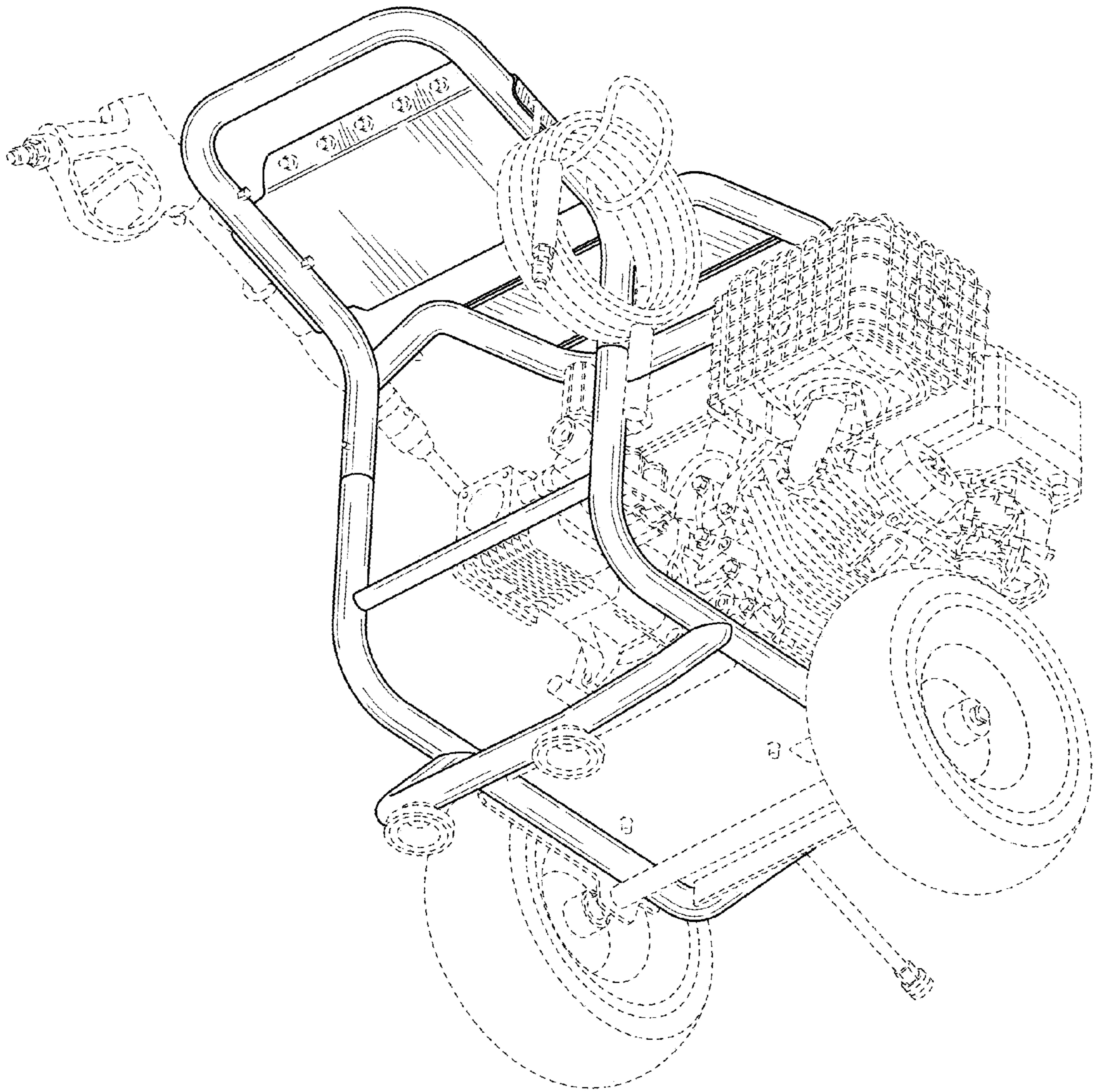


FIG. 8