



US00D938669S

(12) **United States Design Patent**
Jia

(10) **Patent No.:** **US D938,669 S**

(45) **Date of Patent:** **** Dec. 14, 2021**

(54) **STOP BARKING DEVICE**

(71) Applicant: **Shenzhen Smart Pet Technology Co., Ltd**, Shenzhen (CN)

(72) Inventor: **Yaya Jia**, Shenzhen (CN)

(73) Assignee: **Shenzhen Smart Pet Technology Co., Ltd**, Shenzhen (CN)

(**) Term: **15 Years**

(21) Appl. No.: **29/776,363**

(22) Filed: **Mar. 30, 2021**

(51) **LOC (13) Cl.** **30-99**

(52) **U.S. Cl.**
USPC **D30/199; D10/104.1**

(58) **Field of Classification Search**

USPC D30/151-155, 144, 199, 160;
119/792-798, 850, 855-859, 863-865,
119/654, 905, 907, 815, 712, 802, 784,
119/769, 760, 776, 862, 908, 860,
119/719-721; 242/381.1-381.2, 385.4,
242/378.3, 376.1, 385.1, 916, 601, 570,
242/405, 404, 371, 223, 170, 388.1,
242/405.2, 377, 381.3, 381.6, 405.3,
242/388.6, 384.7, 382, 396.1, 404.1, 380;
362/108; 33/767, 769, 414; D12/400;
D3/229, 230, 207, 208, 215; 40/1.5, 455,
40/640, 303; 206/63.3, 459.5, 702, 408;
D6/515; D8/358, 360, 347, 360.1, 359,
D8/356, DIG. 1; D24/145, 167, 186, 146,
D24/169; D10/57, 72, 106.1, 104.1,
D10/104.2, 109.2, 70, 97, 98, 78, 65;
D20/28; 224/666, 678; 16/445; 283/74,
283/70; D11/232, 200, 216, 1, 2, 86, 87,
D11/201, 206-210, 212-215, 218;
24/163 K, 122.3, 323, 702, 600.4-600.7,
24/163 R, 169-171, 173, 177-179, 191,
24/194, 195, 197, 200, 303, 616, 635,
24/313, 615, 3, 6, 3 K, 599.2, 96, 221,

24/237, 311, 312, 314, 321, 338, 339,
24/309; 428/3, 4; 54/76, 1, 71; 63/29.1,
63/3; 191/12.2 R, 12.4; D13/154, 153,
D13/137.4, 155, 103, 168; D19/69, 67;
379/438; 446/26; 473/576; D22/140;
174/135; 439/504, 13, 501; D34/33;
188/83, 82.1, 65.1; 254/134.3 FT;
D29/124; D2/627, 624, 633, 625;
132/145, 146, 148; 2/314; 59/79.1;
340/573.3, 573.1, 573, 573.4,

(Continued)

(56) **References Cited**

U.S. PATENT DOCUMENTS

D637,365 S * 5/2011 Li D30/155
D673,334 S * 12/2012 Guo D30/152

(Continued)

Primary Examiner — Susan Moon Lee

(74) *Attorney, Agent, or Firm* — True Shepherd LLC;
Andrew C. Cheng

(57) **CLAIM**

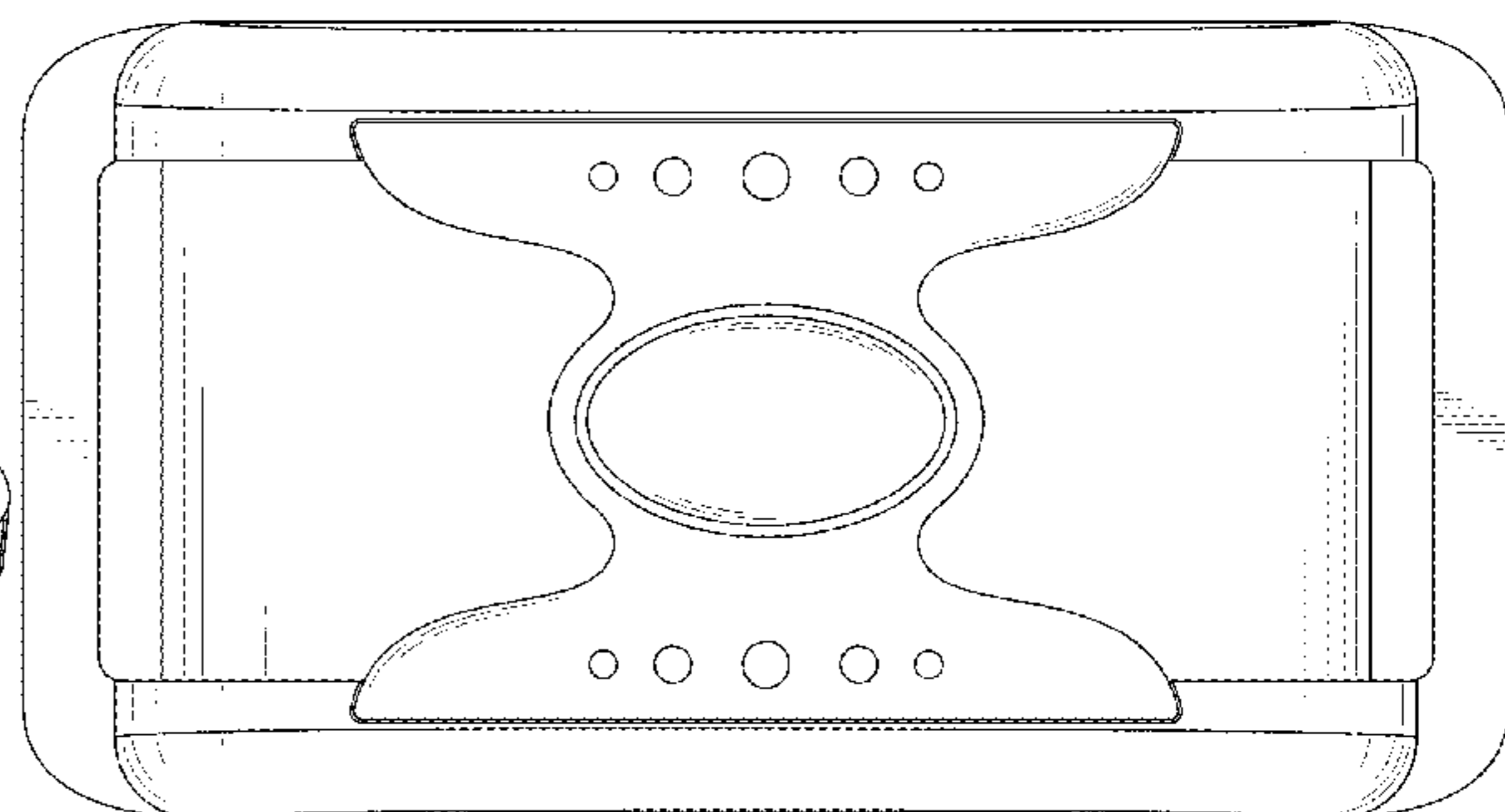
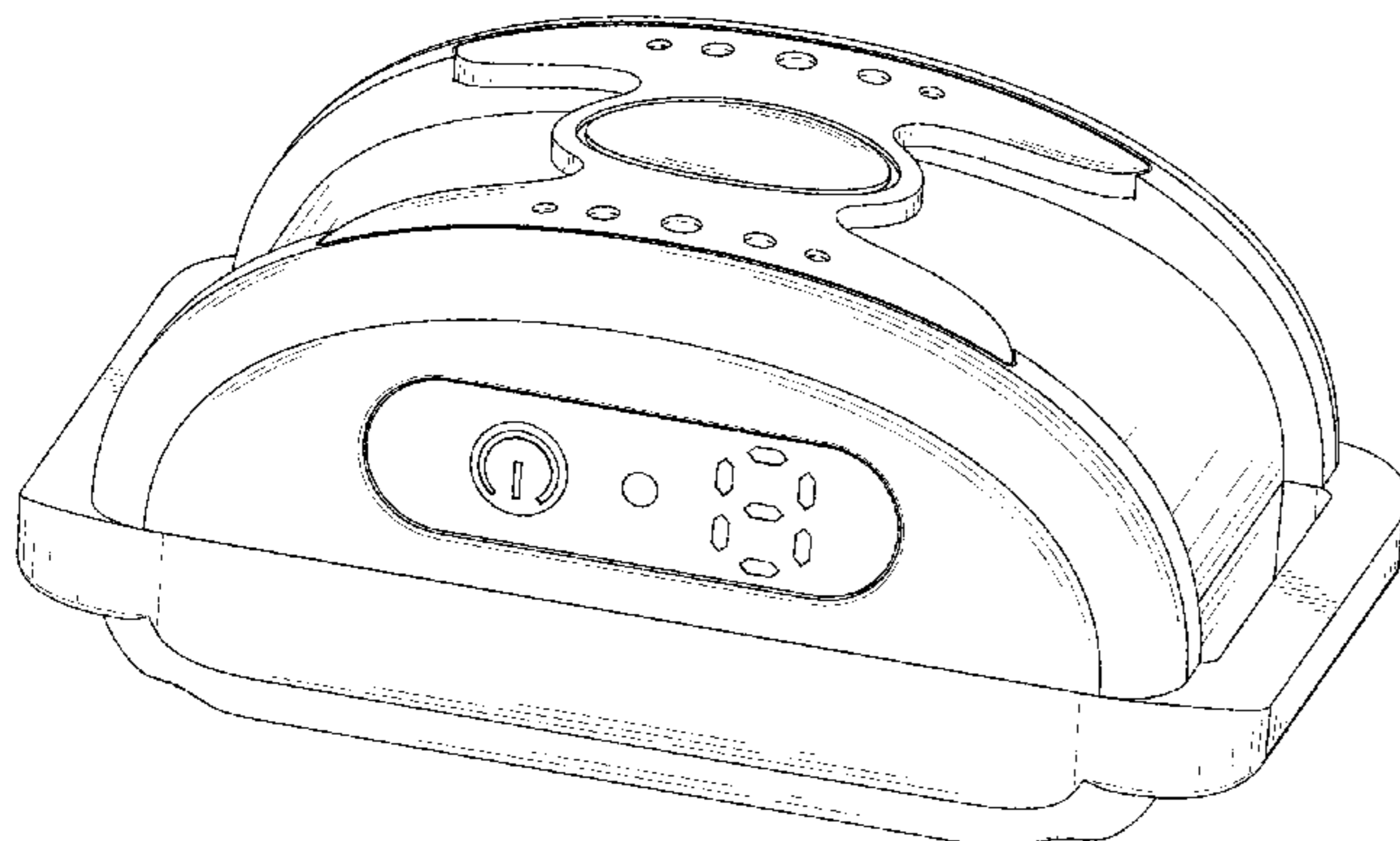
The ornamental design for stop barking device, as shown and described.

DESCRIPTION

FIG. 1 is a perspective view of a stop barking device showing my new design;
FIG. 2 is another perspective view thereof;
FIG. 3 is a front view thereof;
FIG. 4 is a rear view thereof;
FIG. 5 is a bottom plan view thereof;
FIG. 6 is a top plan view thereof;
FIG. 7 is a left side view thereof; and,
FIG. 8 is a right side view thereof.

The broken lines depict portions of the stop barking device and form no part of the claimed design.

1 Claim, 8 Drawing Sheets



(58) Field of Classification Search

USPC 340/539.13–539.19; 343/895;
 278/8 AES; 231/7; 361/232; D14/344,
 D14/341, 137, 155, 496, 203.5, 203.3,
 D14/144, 218, 188, 216, 192;
 342/357.51, 357.57, 357.52, 357.55;
 455/100, 352, 456.1, 550.1; 315/291
 CPC A01K 15/021; A01K 15/02; A01K 15/022;
 A01K 15/023; A01K 15/029; A01K
 15/04; A01K 15/00; A01K 15/006; A01K
 12/022; A01K 27/009; A01K 27/00;
 A01K 27/001; A01K 27/006–008; A01K
 29/005; A01K 29/00; A61B 5/0002–0028;
 A61B 5/681; A61B 5/6822; A61B
 5/6824; A61B 5/6829; G01S 5/0294
 See application file for complete search history.

(56) References Cited

U.S. PATENT DOCUMENTS

8,393,060 B2 * 3/2013 Morhain A01M 1/2055
 24/625
 D683,915 S * 6/2013 So D30/199
 8,714,113 B2 * 5/2014 Lee, IV A01K 15/022
 119/718
 D706,500 S * 6/2014 Hu D30/199
 D709,780 S * 7/2014 Hogg D10/104.1
 D710,228 S * 8/2014 Burke D10/104.1
 D710,229 S * 8/2014 Burke D10/104.1
 D734,900 S * 7/2015 Pulliam D30/152
 D798,003 S * 9/2017 Dong D30/199
 D811,016 S * 2/2018 Liu D30/152
 D816,918 S * 5/2018 Li D30/152
 D819,280 S * 5/2018 Li D30/199
 D822,921 S * 7/2018 Wen D30/199

D834,769 S 11/2018 Wen
 D861,259 S * 9/2019 Dong D30/152
 D870,399 S * 12/2019 Van Curen D30/152
 D872,383 S 1/2020 Darnell et al.
 D888,353 S 6/2020 Lan et al.
 D890,456 S * 7/2020 Dai D30/199
 D898,308 S * 10/2020 Yang D30/199
 D919,201 S * 5/2021 Wang D30/199
 D925,143 S * 7/2021 Jia D30/199
 D926,396 S * 7/2021 Jia D30/199
 D929,682 S * 8/2021 Li D30/199
 11,116,181 B2 * 9/2021 Ma A01M 1/2061
 2005/0145196 A1 * 7/2005 Crist A01K 15/022
 119/718
 2005/0145198 A1 * 7/2005 Crist A01K 15/022
 119/718
 2005/0145200 A1 * 7/2005 Napolez A01K 15/022
 119/718
 2009/0205583 A1 * 8/2009 So A01K 15/021
 119/719
 2010/0186198 A1 * 7/2010 Morhain A44B 11/266
 24/163 K
 2013/0112153 A1 * 5/2013 So A01K 15/021
 119/720
 2013/0180467 A1 * 7/2013 Wong A01K 15/022
 119/718
 2015/0033794 A1 * 2/2015 Ma A01K 27/006
 63/1.13
 2015/0128878 A1 * 5/2015 Van Curen G06K 9/00671
 119/721
 2016/0192623 A1 * 7/2016 Rich A01K 29/005
 119/721
 2020/0015456 A1 * 1/2020 Van Curen A01K 27/009
 2020/0146625 A1 * 5/2020 Nousiainen A61B 5/02055
 2020/0260693 A1 * 8/2020 Ma A01M 1/2061
 2021/0219524 A1 * 7/2021 So G01H 17/00

* cited by examiner

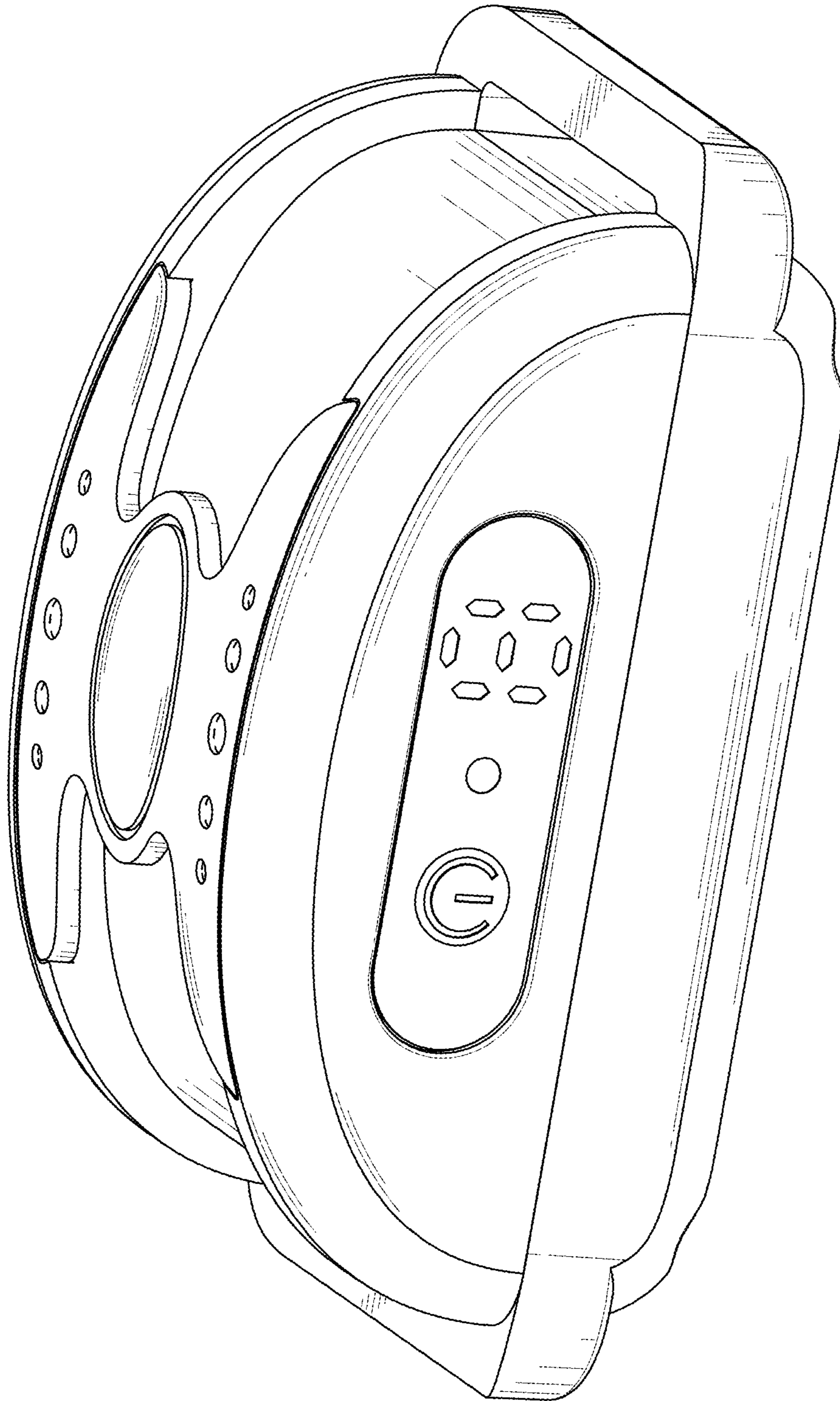


FIG. 1

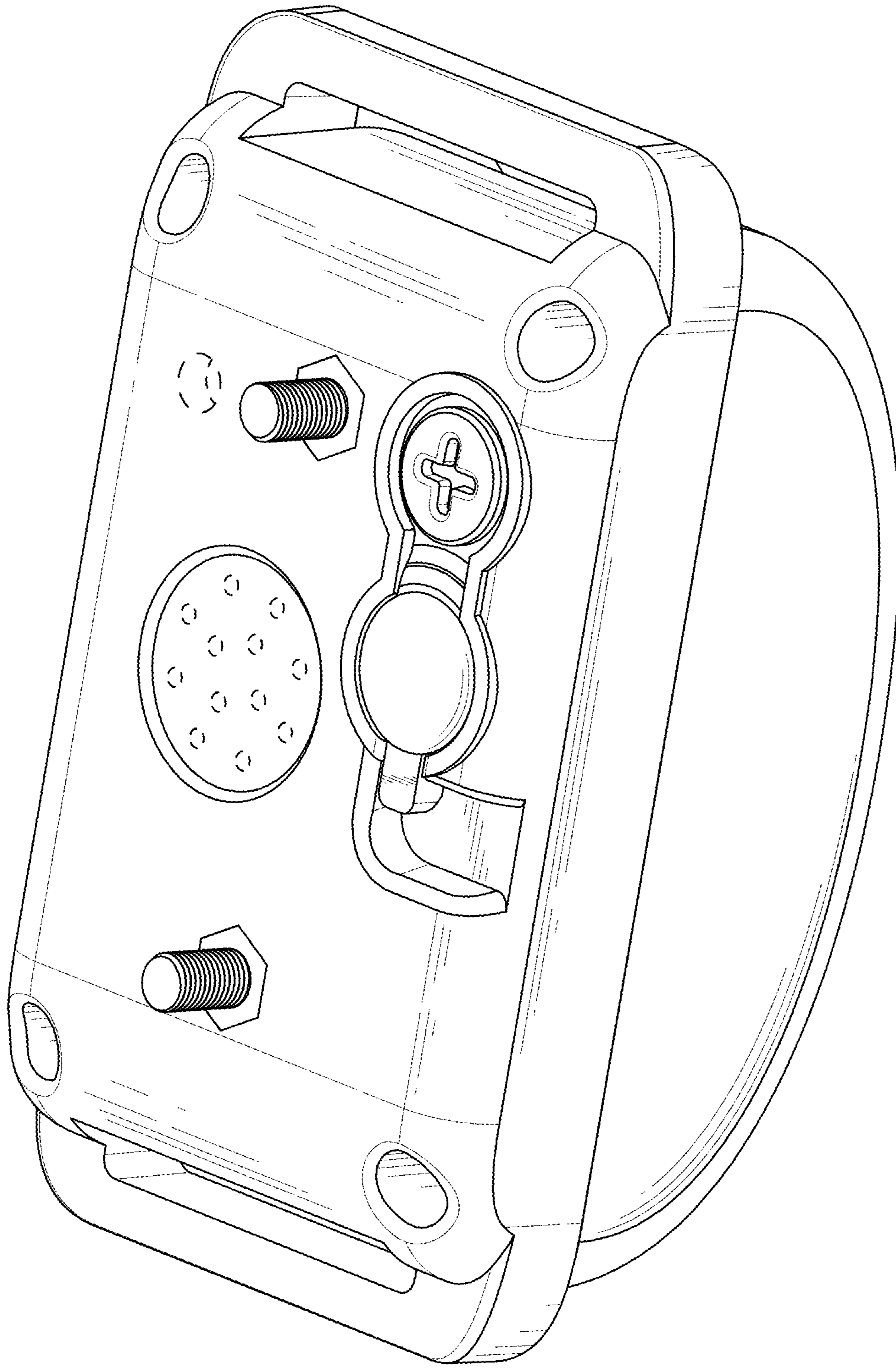


FIG. 2

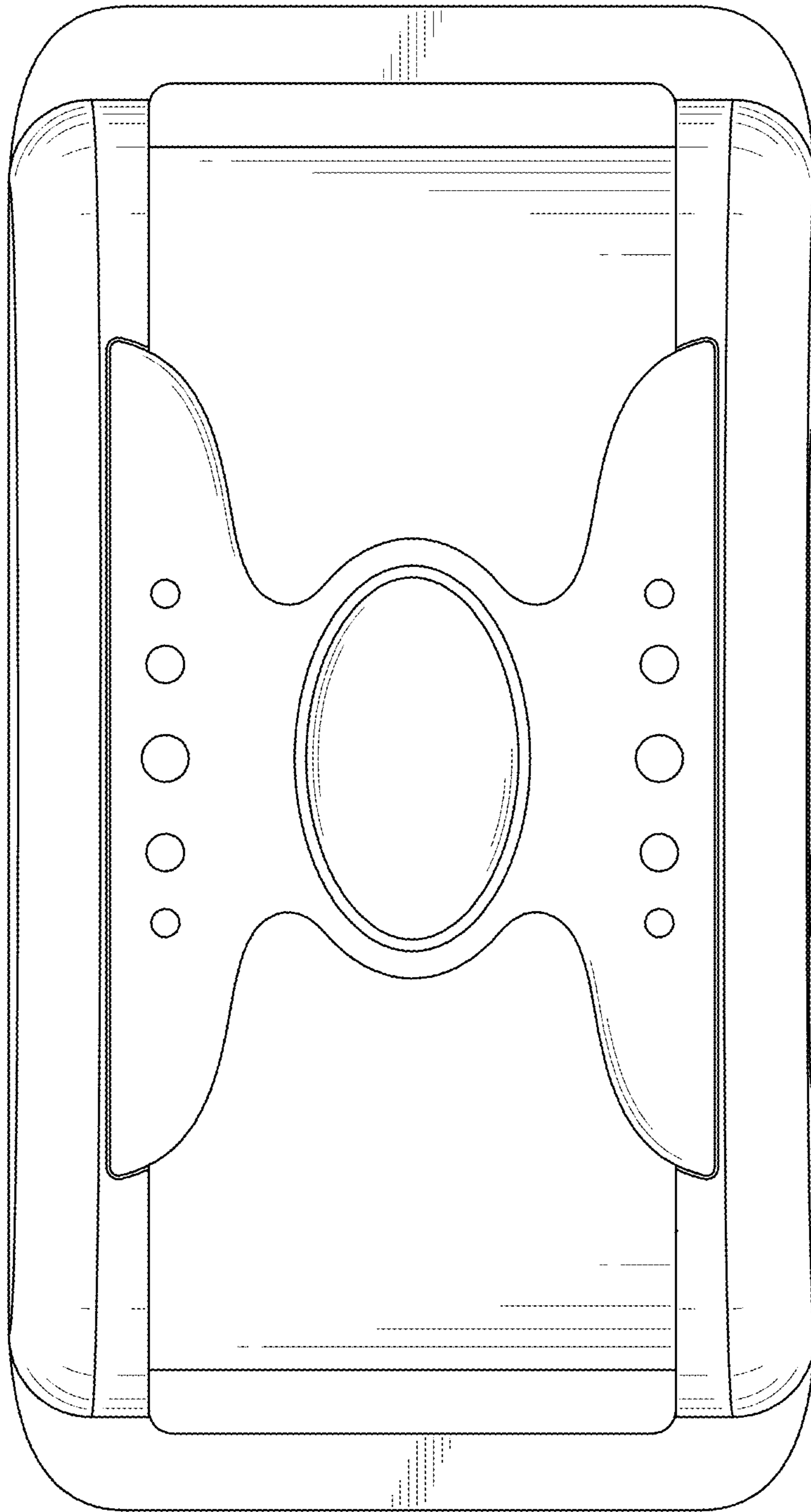


FIG. 3

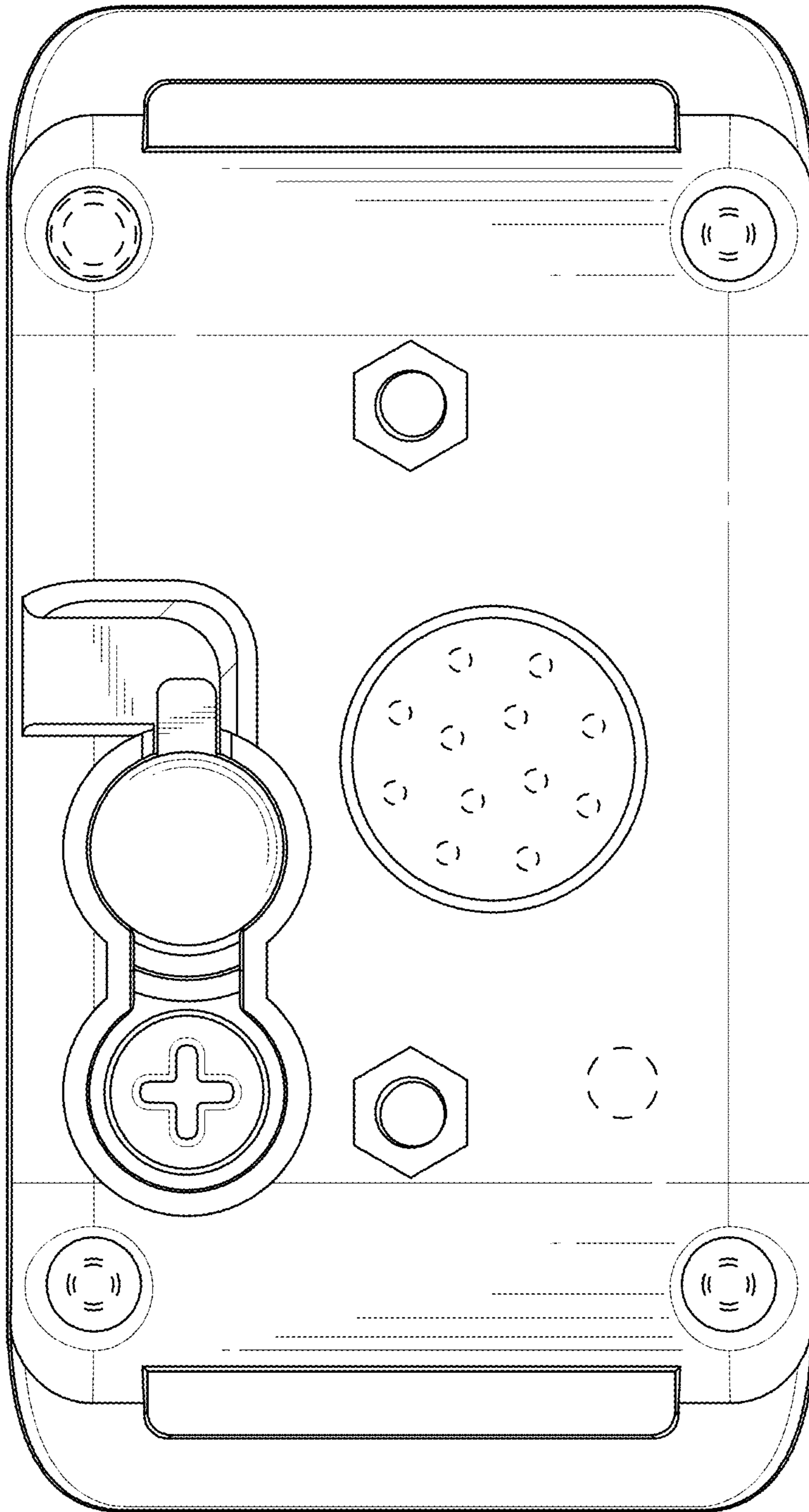


FIG. 4

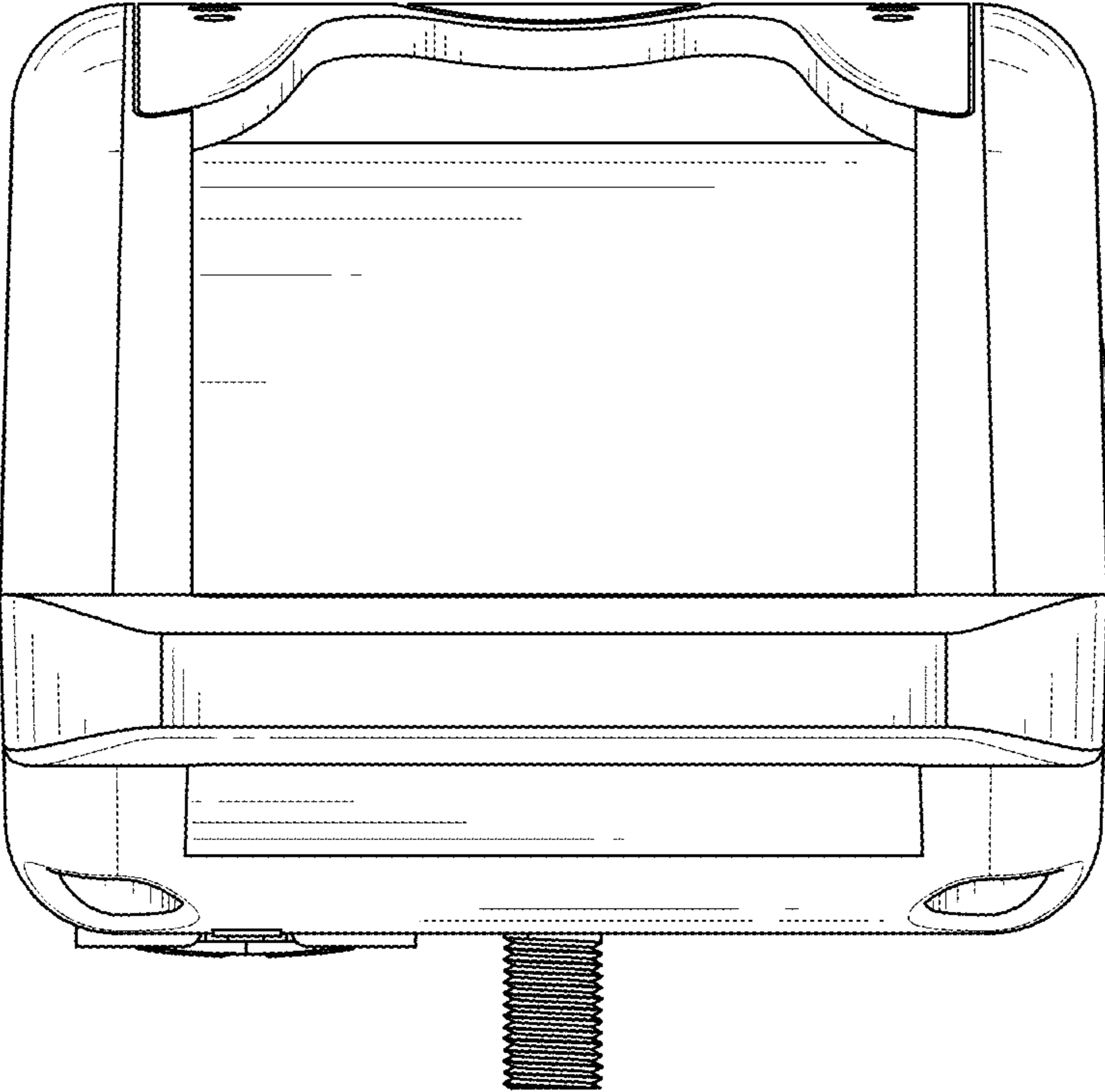


FIG. 5

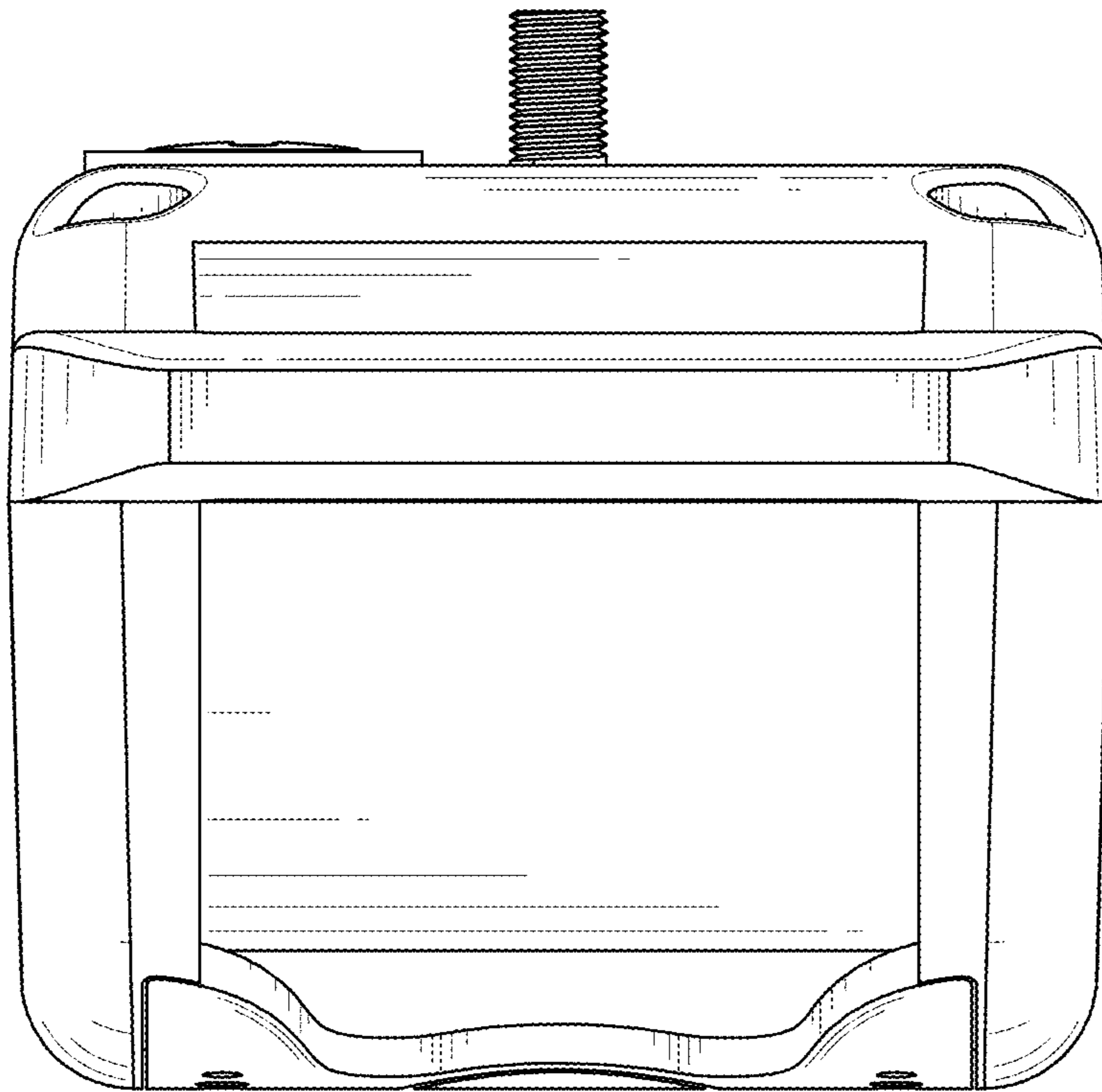


FIG. 6

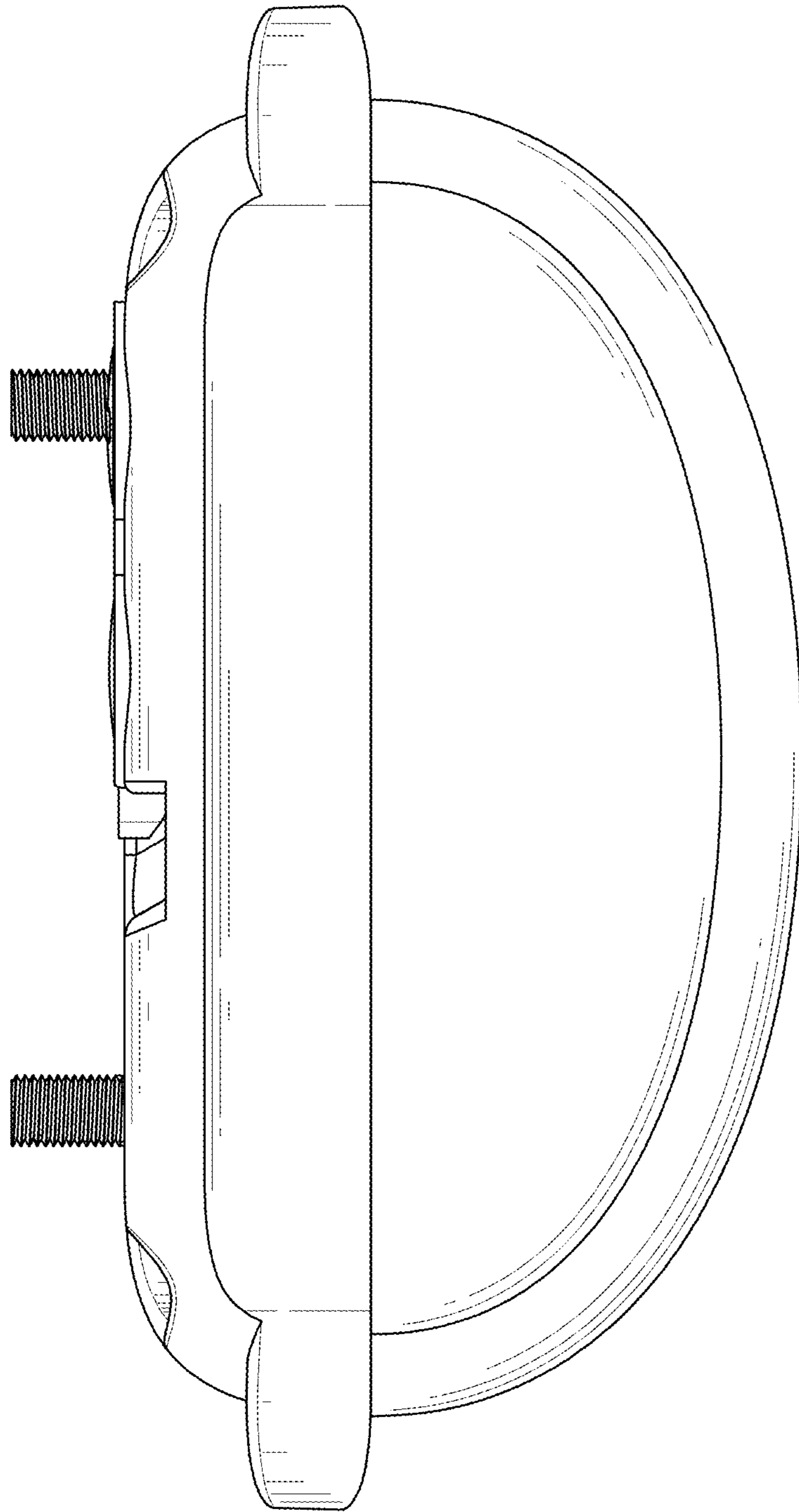


FIG. 7

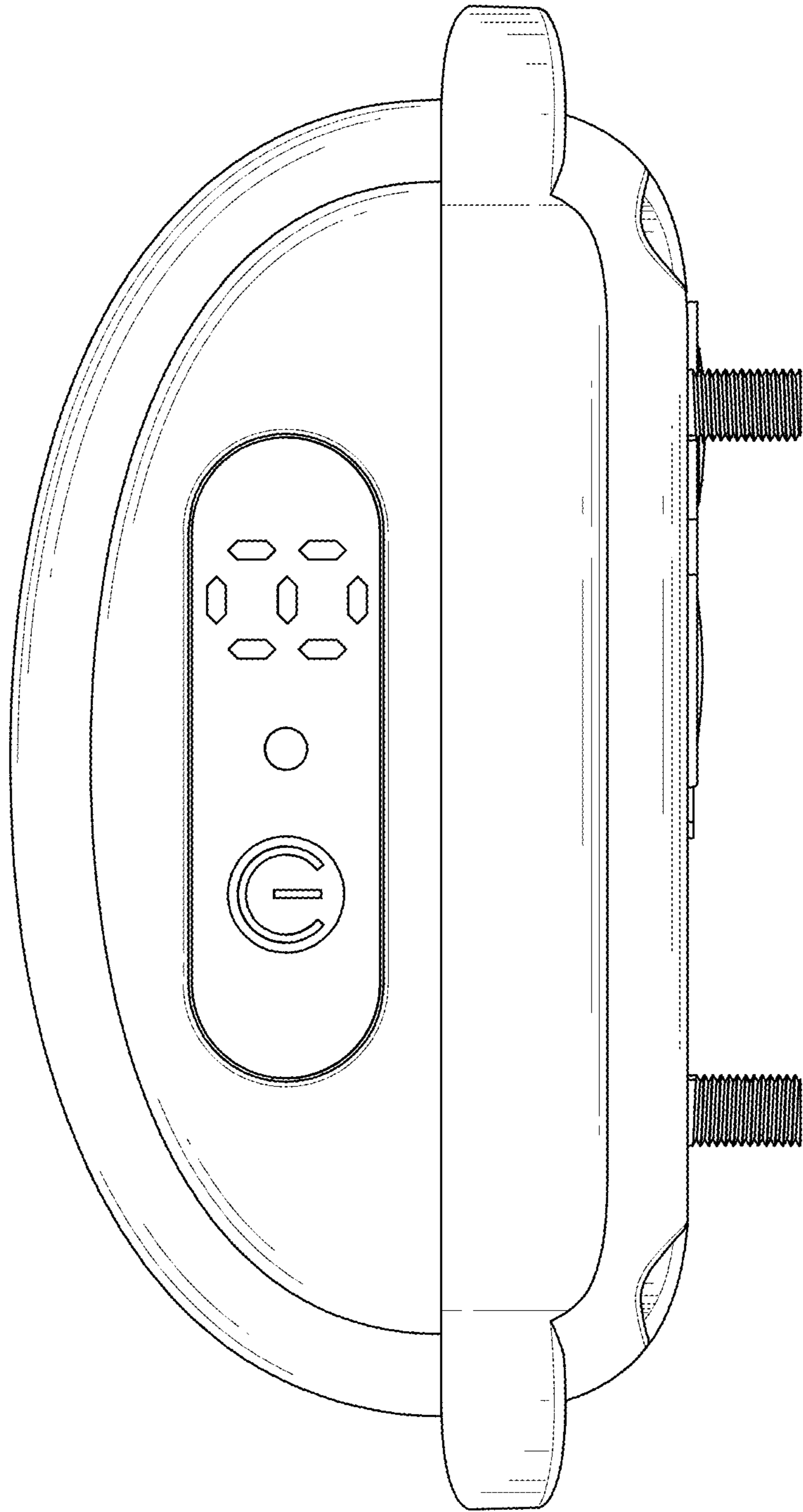


FIG. 8