



US00D938667S

(12) **United States Design Patent**  
**Goddard-Imel**

(10) **Patent No.:** **US D938,667 S**

(45) **Date of Patent:** **\*\* Dec. 14, 2021**

(54) **WALL MOUNTABLE PET LITTER BOX SHELTER**

2018/0098520 A1\* 4/2018 Koskey, Jr. .... A01K 1/033  
2018/0220621 A1\* 8/2018 Koskey, Jr. .... A01K 1/033

\* cited by examiner

(71) Applicant: **Sharon Goddard-Imel**, Torrance, CA (US)

*Primary Examiner* — Sheryl Lane

*Assistant Examiner* — Aula Soroush

(72) Inventor: **Sharon Goddard-Imel**, Torrance, CA (US)

(74) *Attorney, Agent, or Firm* — Rosenberg, Klein & Lee

(\*\*) Term: **15 Years**

(57) **CLAIM**

The ornamental design for a wall mountable pet litter box shelter, as shown and described.

(21) Appl. No.: **29/722,281**

**DESCRIPTION**

(22) Filed: **Jan. 28, 2020**

(51) **LOC (13) Cl.** ..... **30-99**

(52) **U.S. Cl.**  
USPC ..... **D30/161**

(58) **Field of Classification Search**  
USPC ..... D30/108–120, 158–161; D21/520;  
D6/601, 349, 595–597, 604, 382  
CPC .. A01K 1/0114; A01K 1/0107; A01K 1/0125;  
A01K 1/0152; A01K 1/0157  
See application file for complete search history.

FIG. 1 is a front perspective view of the wall mountable pet litter box shelter showing my new design;  
FIG. 2 is a front elevation view thereof;  
FIG. 3 is a rear elevation view thereof;  
FIG. 4 is a left side elevation view thereof;  
FIG. 5 is a right side elevation view thereof;  
FIG. 6 is a top plan view thereof;  
FIG. 7 is a bottom plan view thereof;  
FIG. 8 is right front perspective view thereof, shown with a lid portion of the enclosure housing opened;  
FIG. 9 is a left rear perspective view thereof, shown with the lid portion of the enclosure housing opened; and,  
FIG. 10 is a side sectional view thereof, taken along line 10-10, as shown in FIG. 6;  
FIG. 11 is a side sectional view thereof, taken along line 11-11, as shown in FIG. 5; and,  
FIG. 12 is an exploded view thereof.

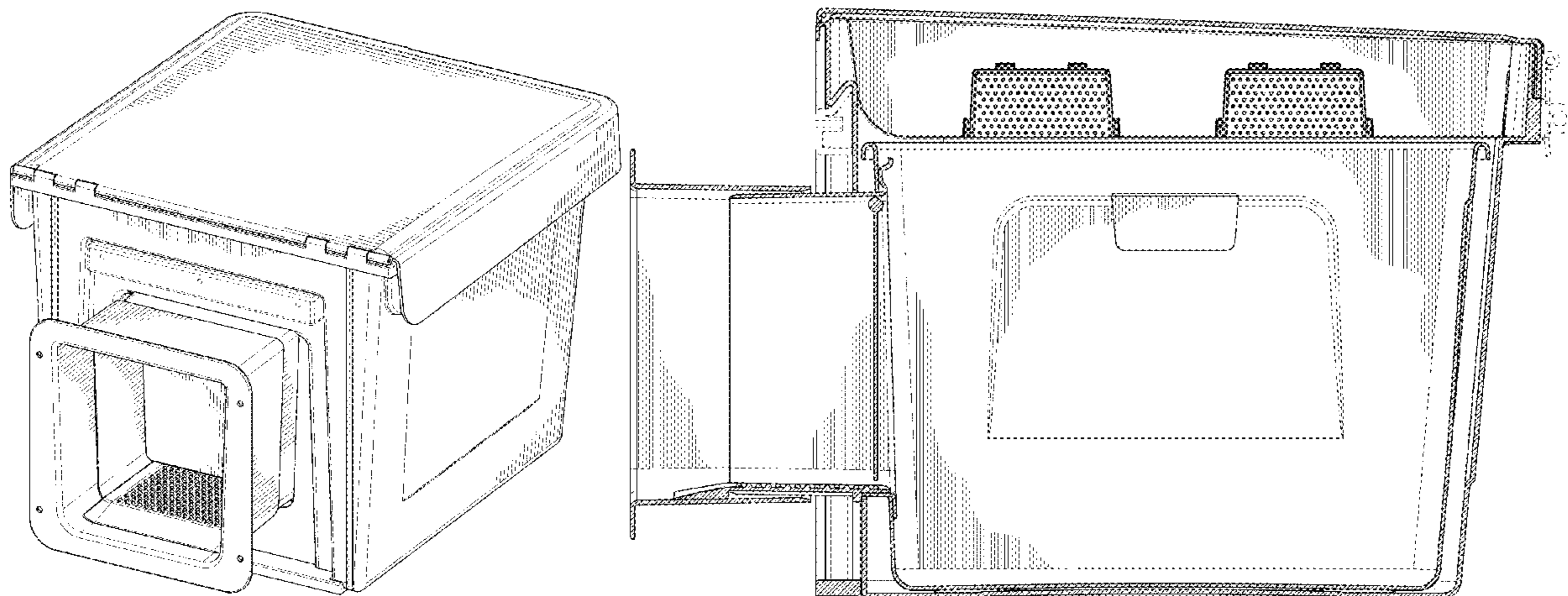
The broken lines in the drawings illustrate portions of the wall mountable pet litter box shelter that form no part of the claimed design.

(56) **References Cited**

**U.S. PATENT DOCUMENTS**

- 4,989,546 A \* 2/1991 Cannaday ..... A01K 1/033  
119/484
- D549,401 S \* 8/2007 Mercier ..... D30/114
- D561,955 S \* 2/2008 Donough ..... D30/119
- D846,811 S \* 4/2019 Koskey, Jr. .... D30/108
- D858,898 S \* 9/2019 Chomos ..... D30/114
- 10,849,311 B1 \* 12/2020 Mulvey ..... A01K 1/033
- 10,932,441 B2 \* 3/2021 Martino ..... A01K 1/035

**1 Claim, 12 Drawing Sheets**



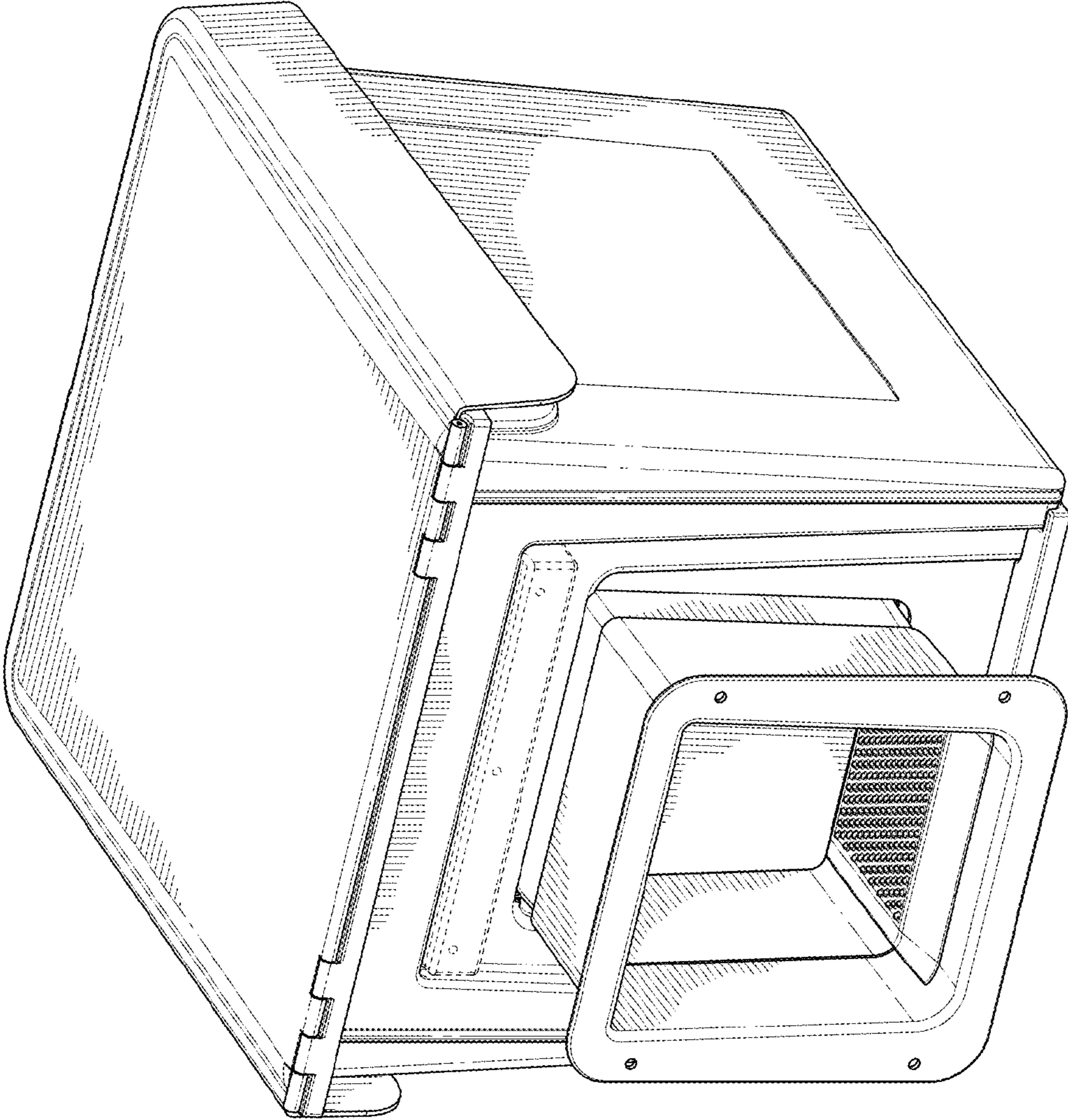


FIG. 1

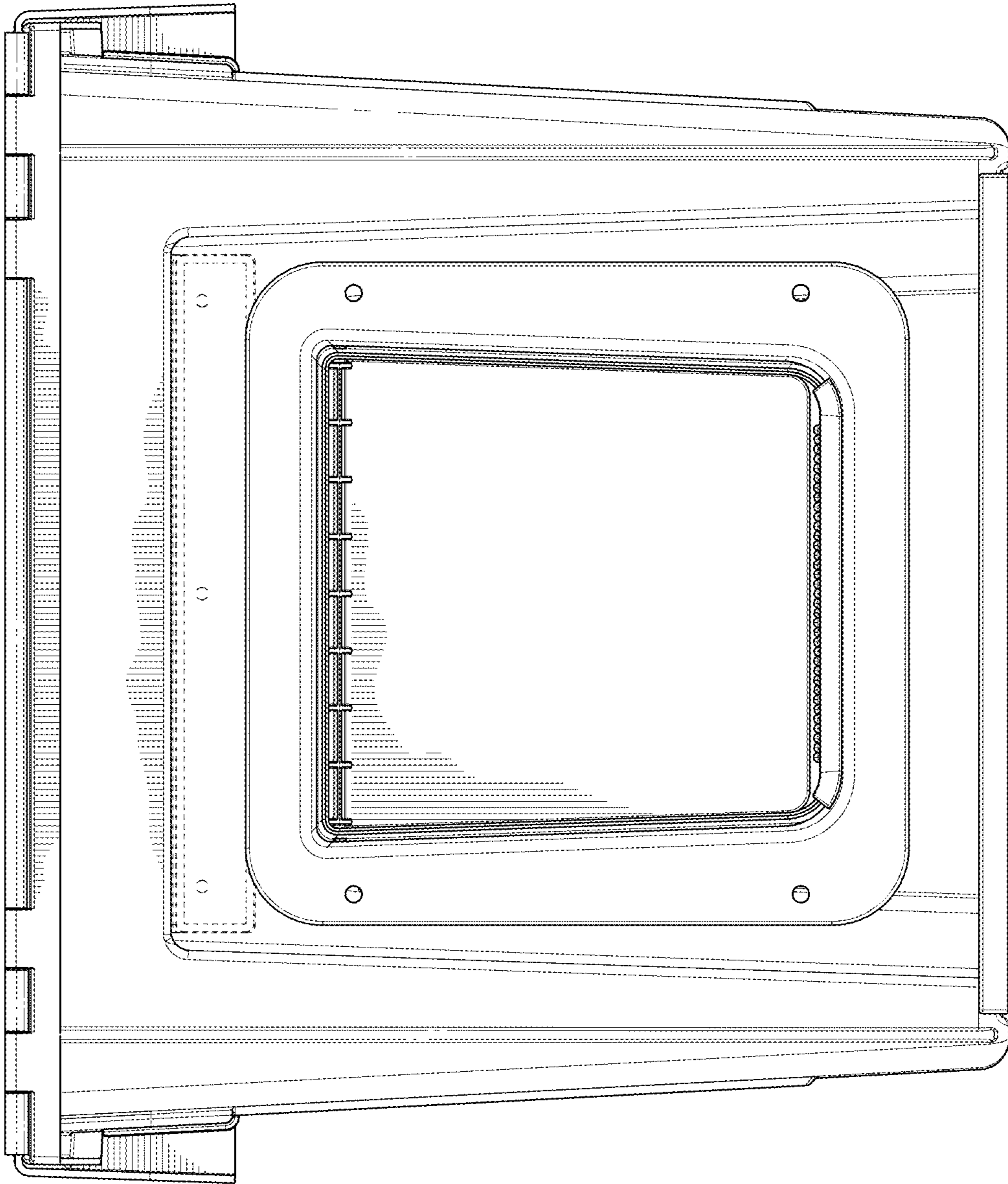


FIG. 2

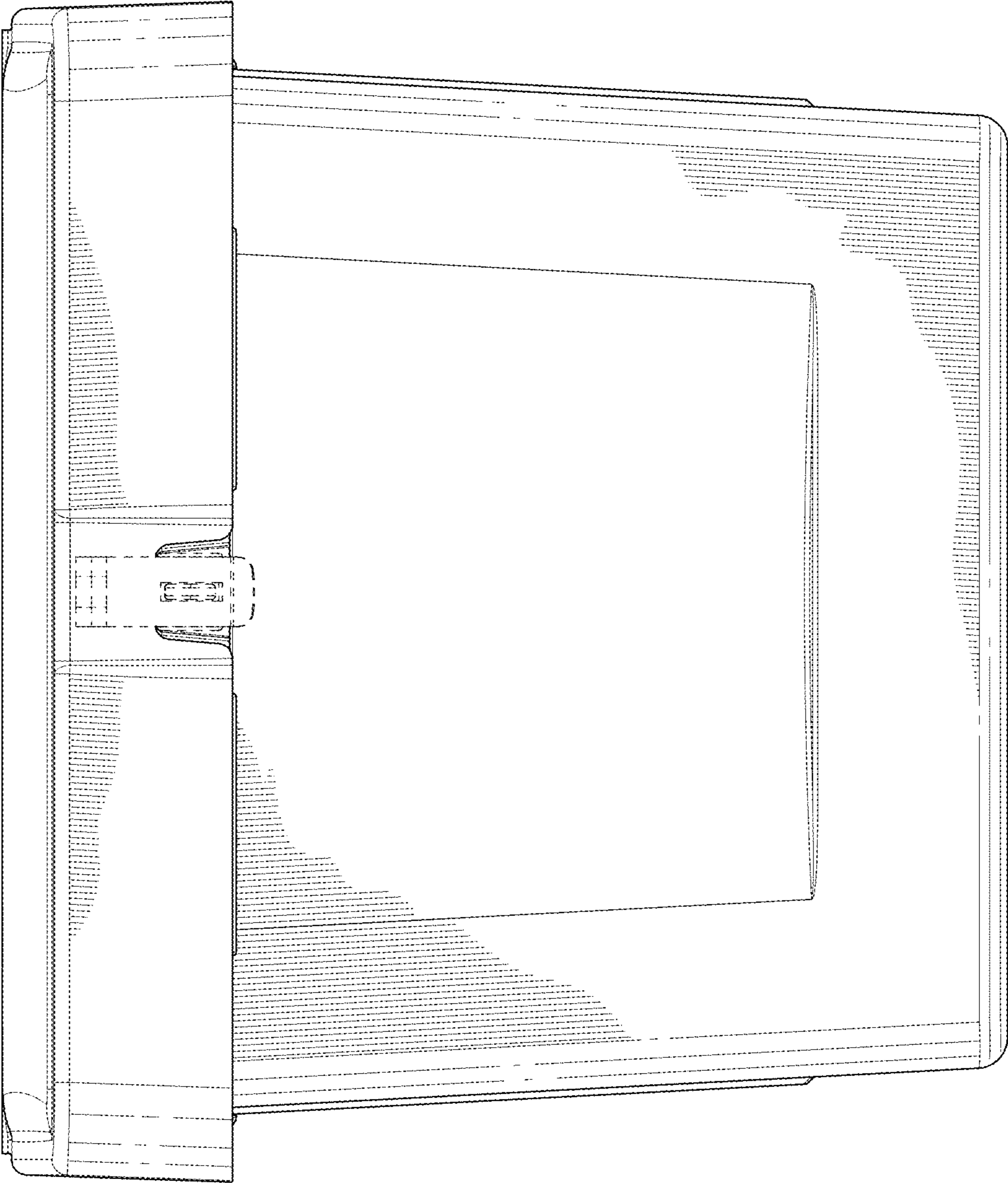


FIG. 3

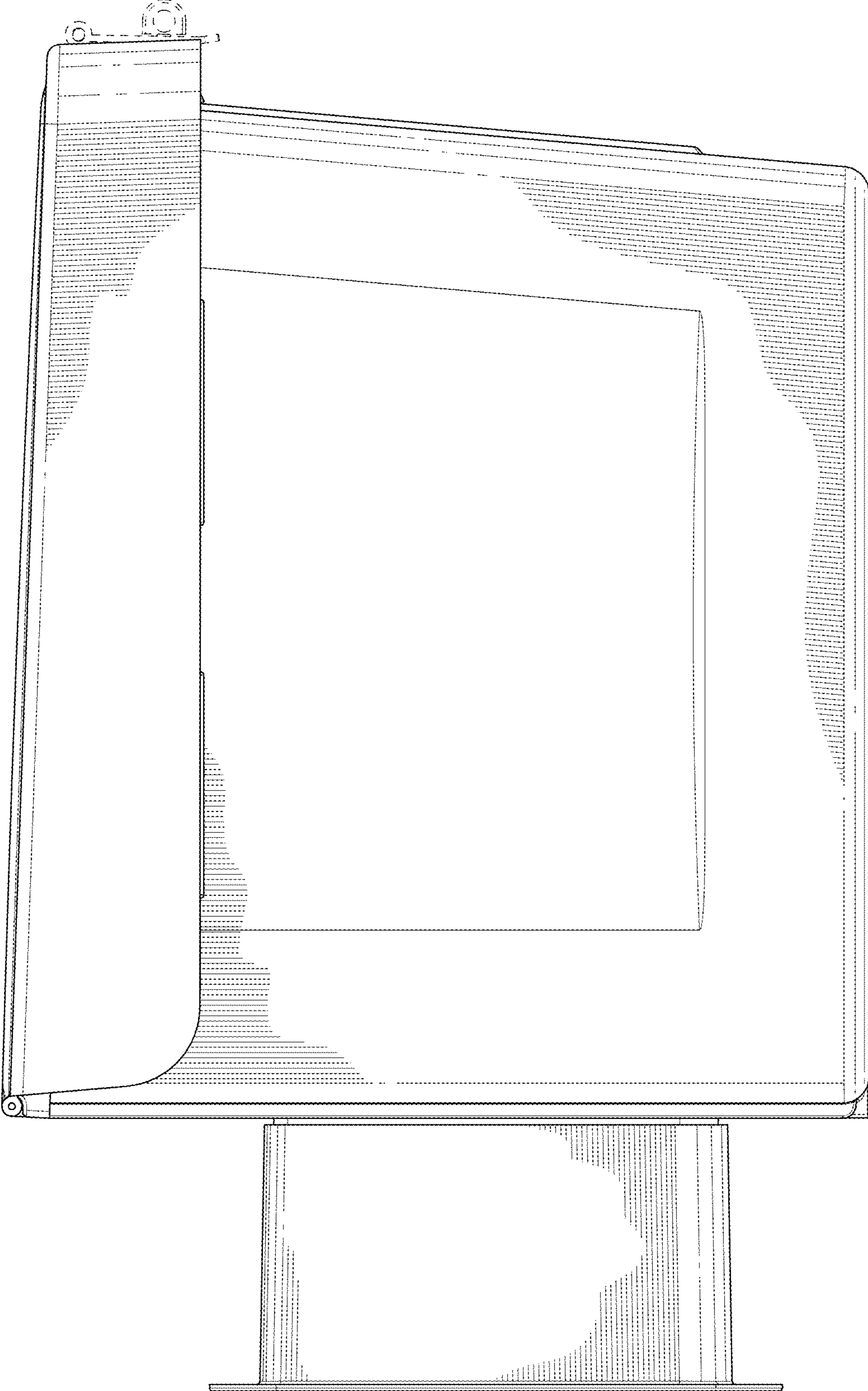
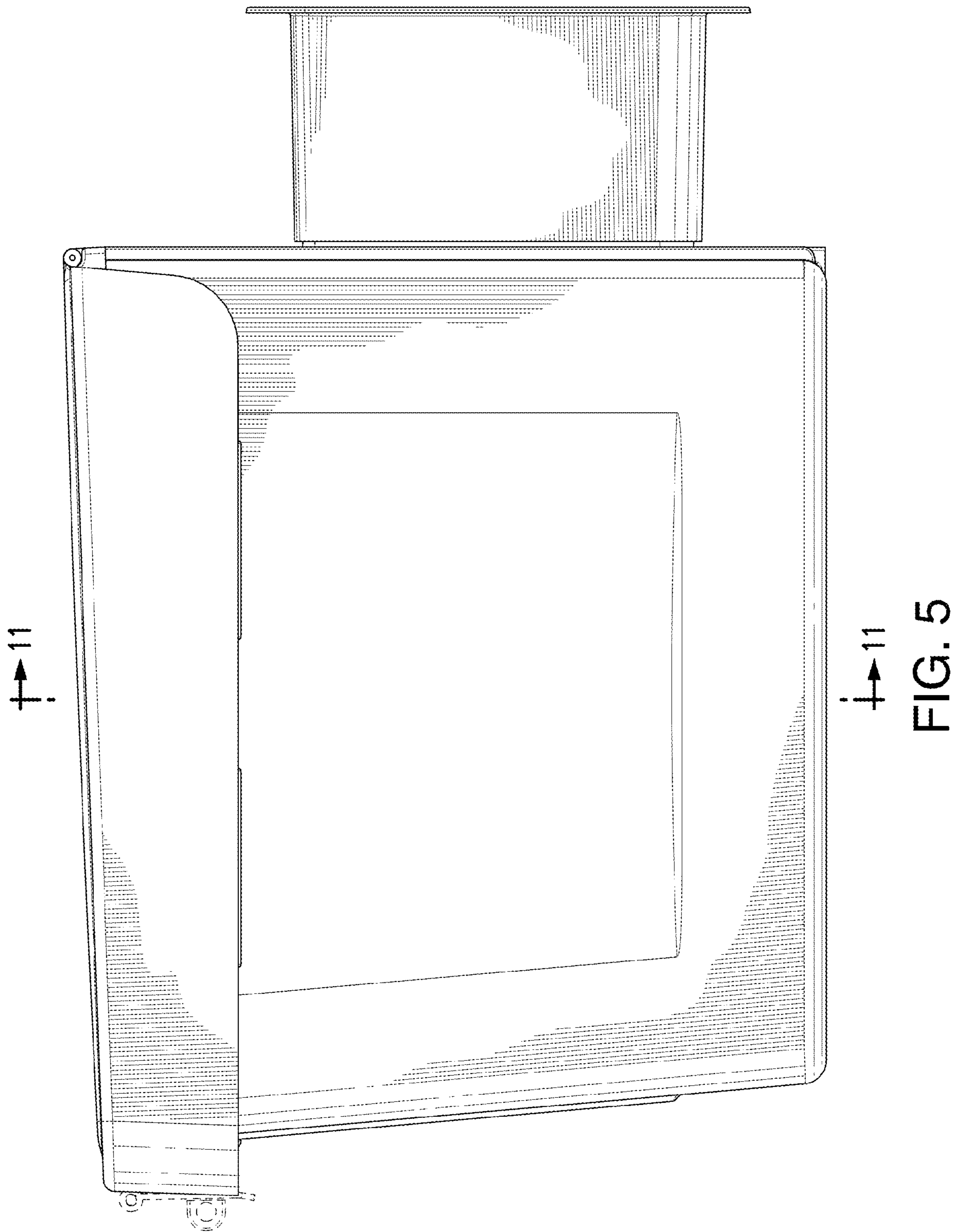
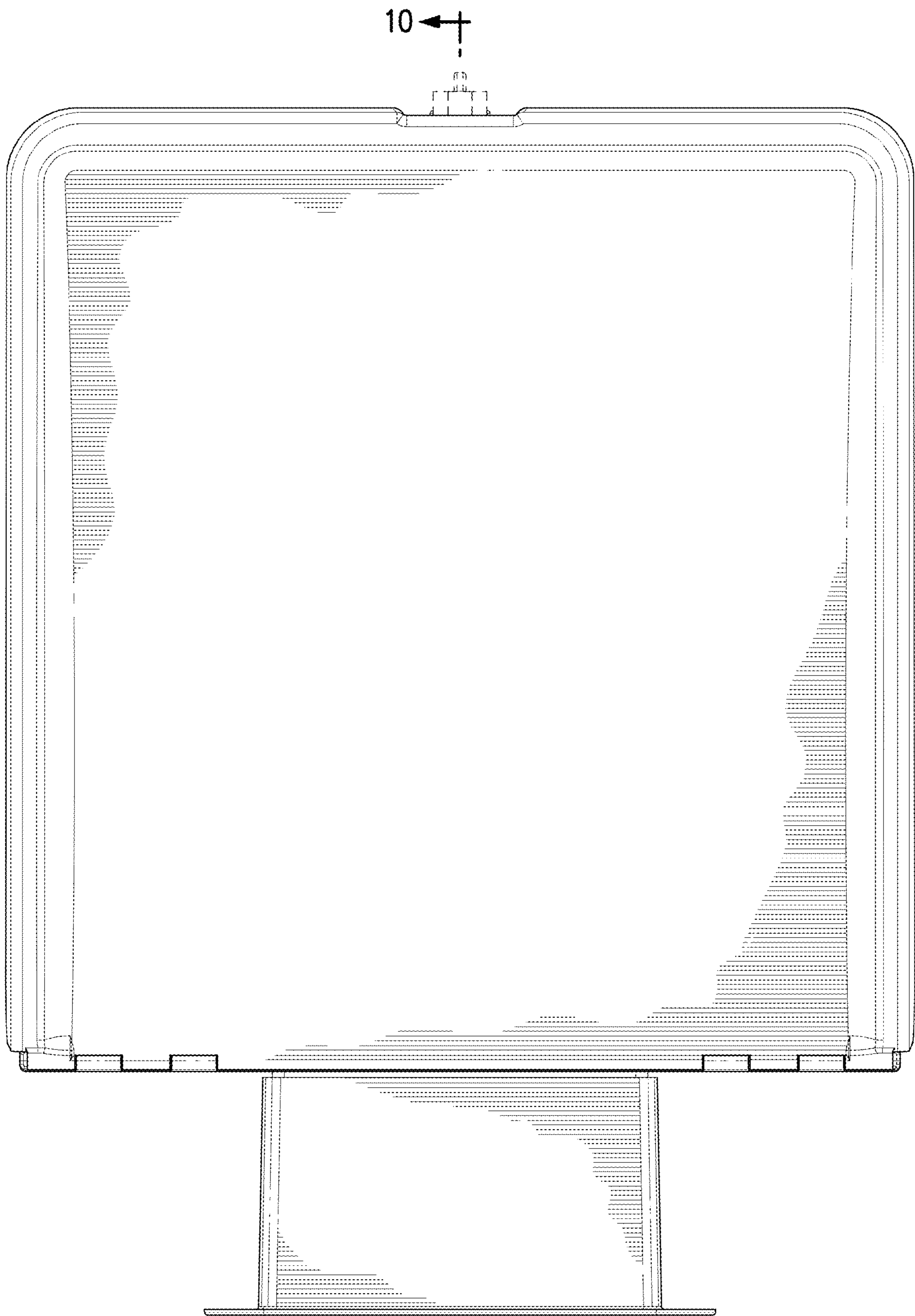


FIG. 4





10 ←  
FIG. 6

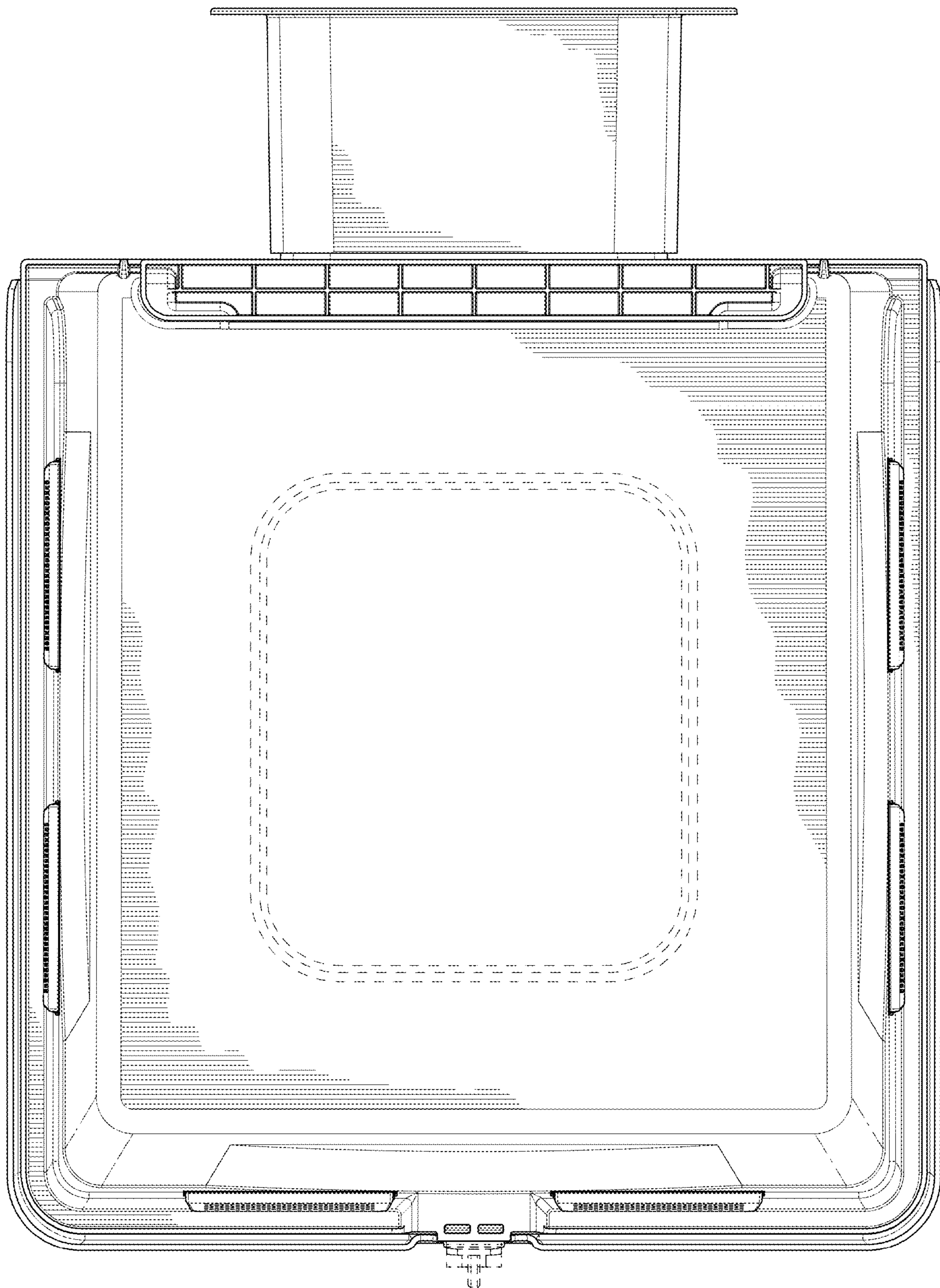


FIG. 7



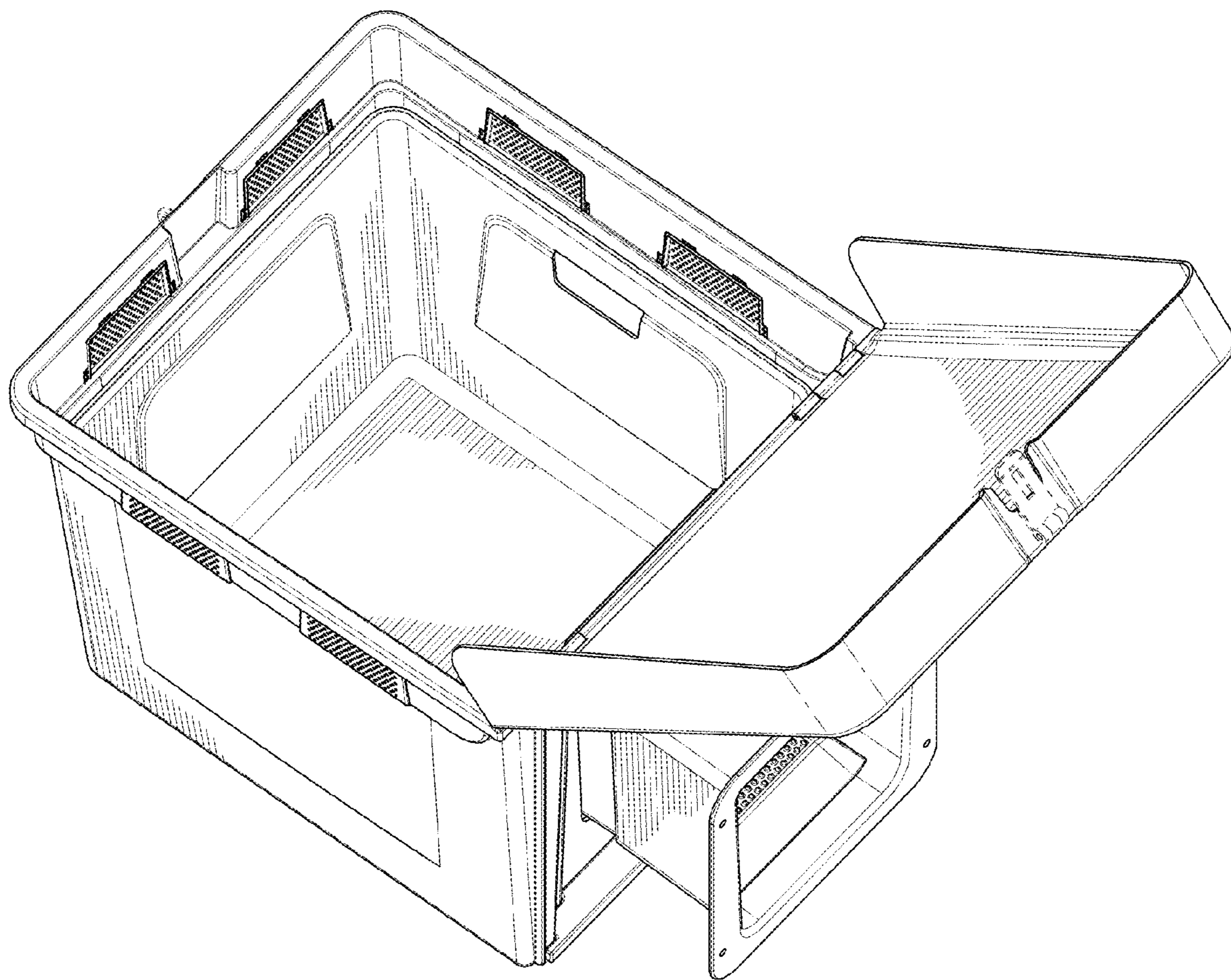


FIG. 8

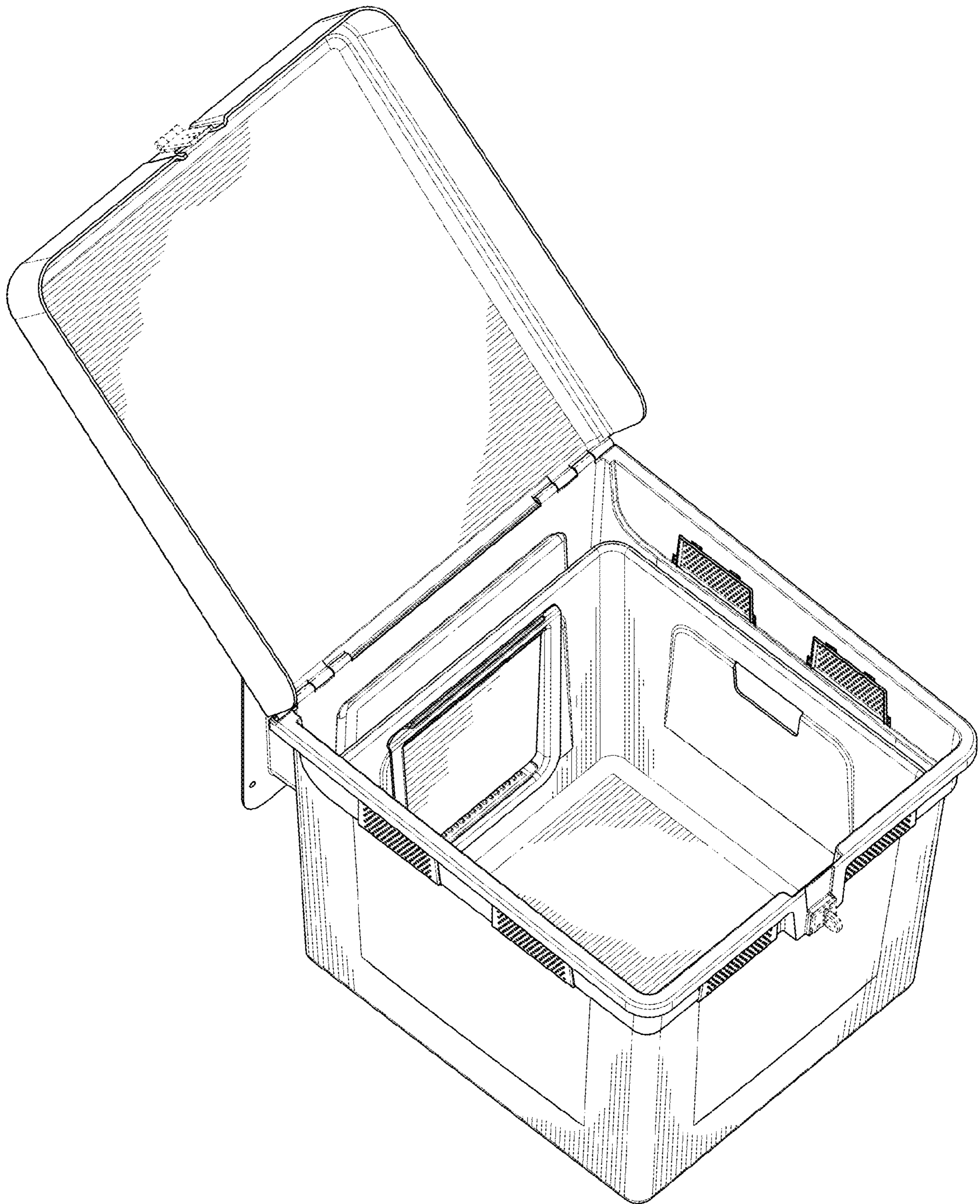


FIG. 9

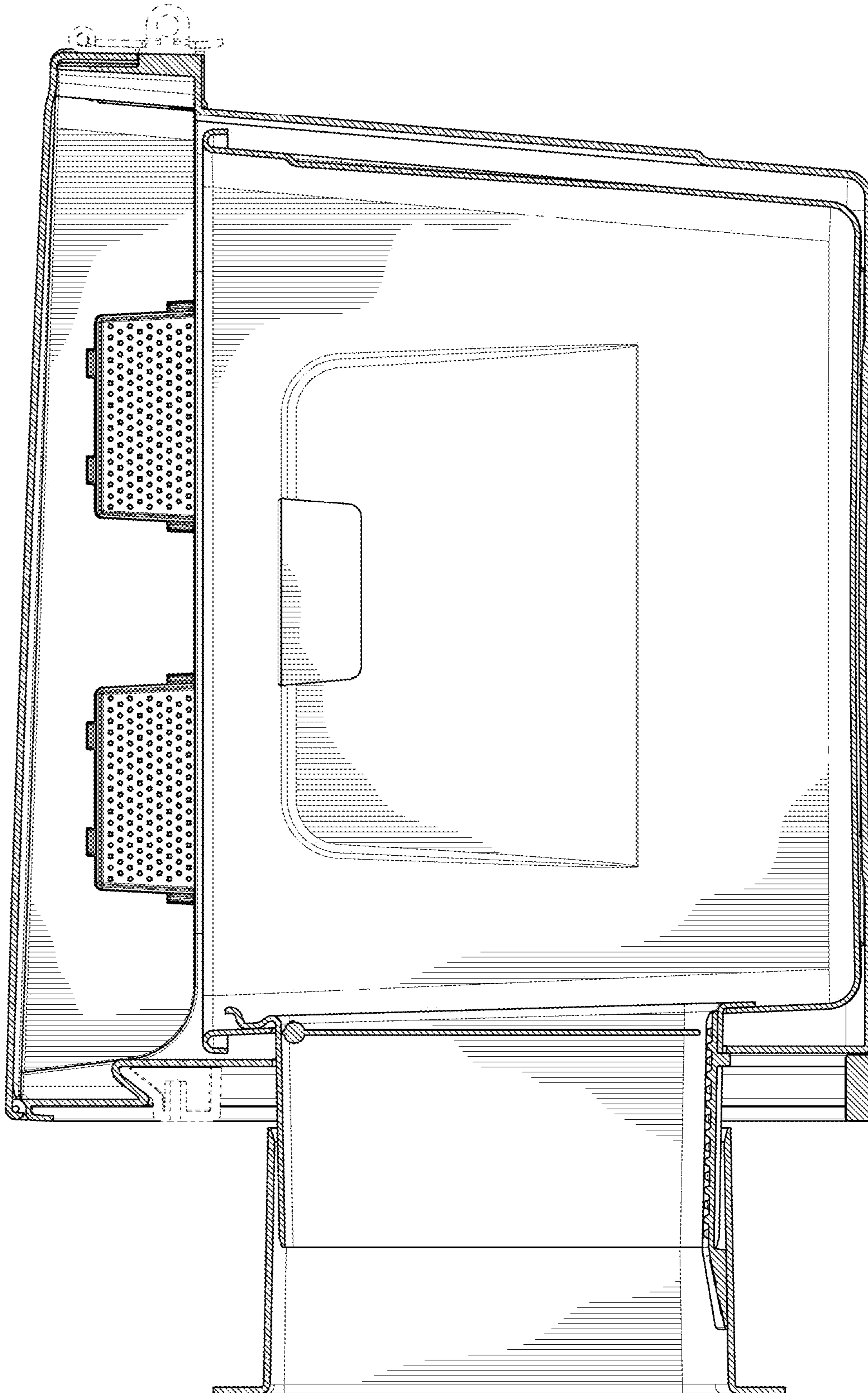


FIG. 10

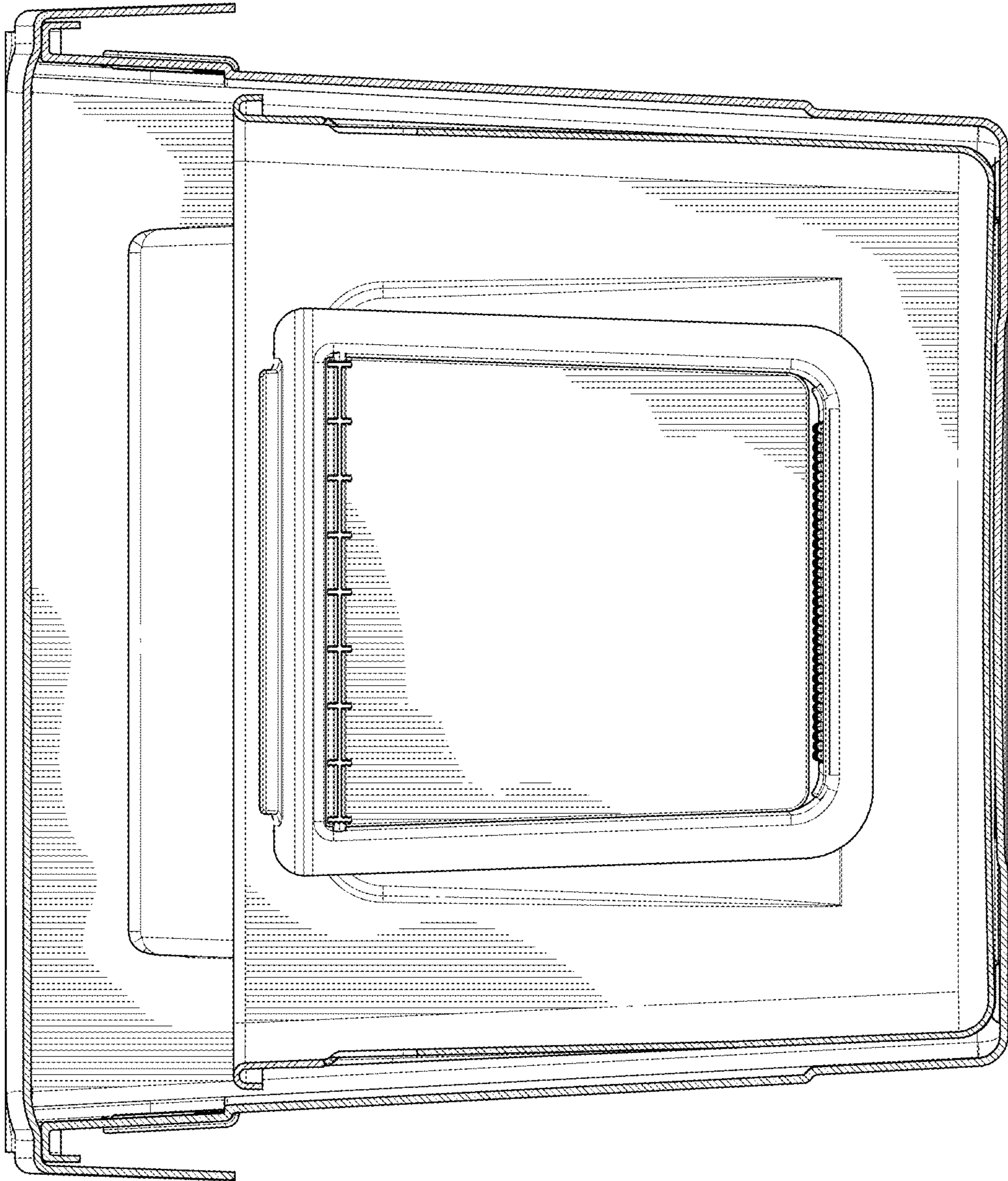


FIG. 11

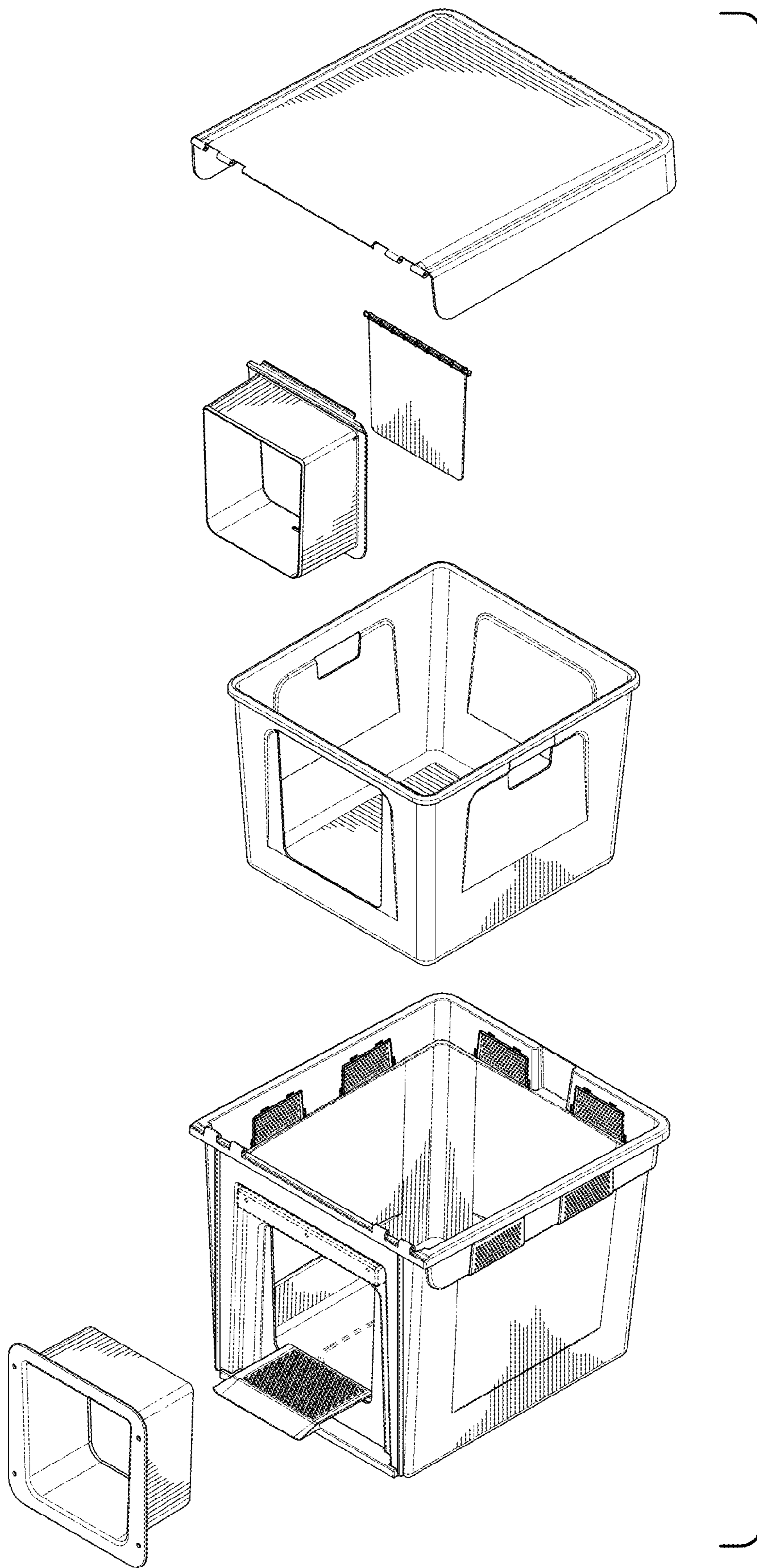


FIG. 12