



US00D938666S

(12) **United States Design Patent** (10) **Patent No.:** **US D938,666 S**
Carrington (45) **Date of Patent:** **** Dec. 14, 2021**

- (54) **DOG TRAINING DUMMY**
- (71) Applicant: **Avery Outdoors LLC**, Springdale, AR (US)
- (72) Inventor: **William David Carrington**, Ellendale, TN (US)
- (73) Assignee: **Avery Outdoors LLC**, Springdale, AR (US)
- (**) Term: **15 Years**
- (21) Appl. No.: **29/739,032**
- (22) Filed: **Jun. 22, 2020**
- (51) **LOC (13) Cl.** **30-99**
- (52) **U.S. Cl.**
USPC **D30/160**
- (58) **Field of Classification Search**
USPC D30/158, 160, 199; 119/702, 703, 704, 119/705, 706, 707, 708; D10/107; D21/803
CPC ... A01K 15/027; A01K 15/024; A01K 15/025
See application file for complete search history.

D908,985 S * 1/2021 Yeung D30/160
 D922,004 S * 6/2021 Wang D30/160
 2008/0319357 A1* 12/2008 Hey A61H 39/04 601/15

OTHER PUBLICATIONS

“Avery PerfectHold Bumper” available Sep. 4, 2020, [online], [site visited Aug. 22, 2021]. Retrieved from Internet, URL:https://www.amazon.com/Avery-2743-PerfectHold-Bumper-Orange/dp/B08C7ZSGJK/ref=pd_sbs_11/138-7926744-6800634 (Year: 2020).*

* cited by examiner

Primary Examiner — W. A. Teddy Falloway
Assistant Examiner — Katrina N Gonzalez
(74) *Attorney, Agent, or Firm* — Wright Lindsey Jennings, LLP; Meredith Lowry

(56) **References Cited**

U.S. PATENT DOCUMENTS

- D331,517 S * 12/1992 Warner D30/160
- D344,161 S * 2/1994 Markham D30/160
- D507,685 S * 7/2005 Nazimek 119/707
- D511,229 S * 11/2005 Byrne D30/160
- D517,752 S * 3/2006 Byrne A01K 15/025 D30/160
- D584,864 S 1/2009 Matthews
- D600,414 S 9/2009 Matthews
- 8,875,662 B2* 11/2014 Angle A01K 15/025 119/707
- D816,280 S * 4/2018 Baker D30/160
- D870,985 S * 12/2019 Falwell D30/160
- D873,509 S * 1/2020 Steinkraus D30/160

DESCRIPTION

(57) **CLAIM**

The ornamental design for a dog training dummy, as shown and described.

FIG. 1 is a front perspective view of a dog training dummy; FIG. 2 is a rear perspective view thereof; FIG. 3 is a right side view thereof, the left side being a mirror image thereof; FIG. 4 is a top view thereof, the bottom view being a mirror image thereof; FIG. 5 is a front elevation view thereof; and, FIG. 6 is a rear elevation view thereof. The broken lines in the drawings illustrate environmental structure that forms no part of the claimed design.

1 Claim, 3 Drawing Sheets

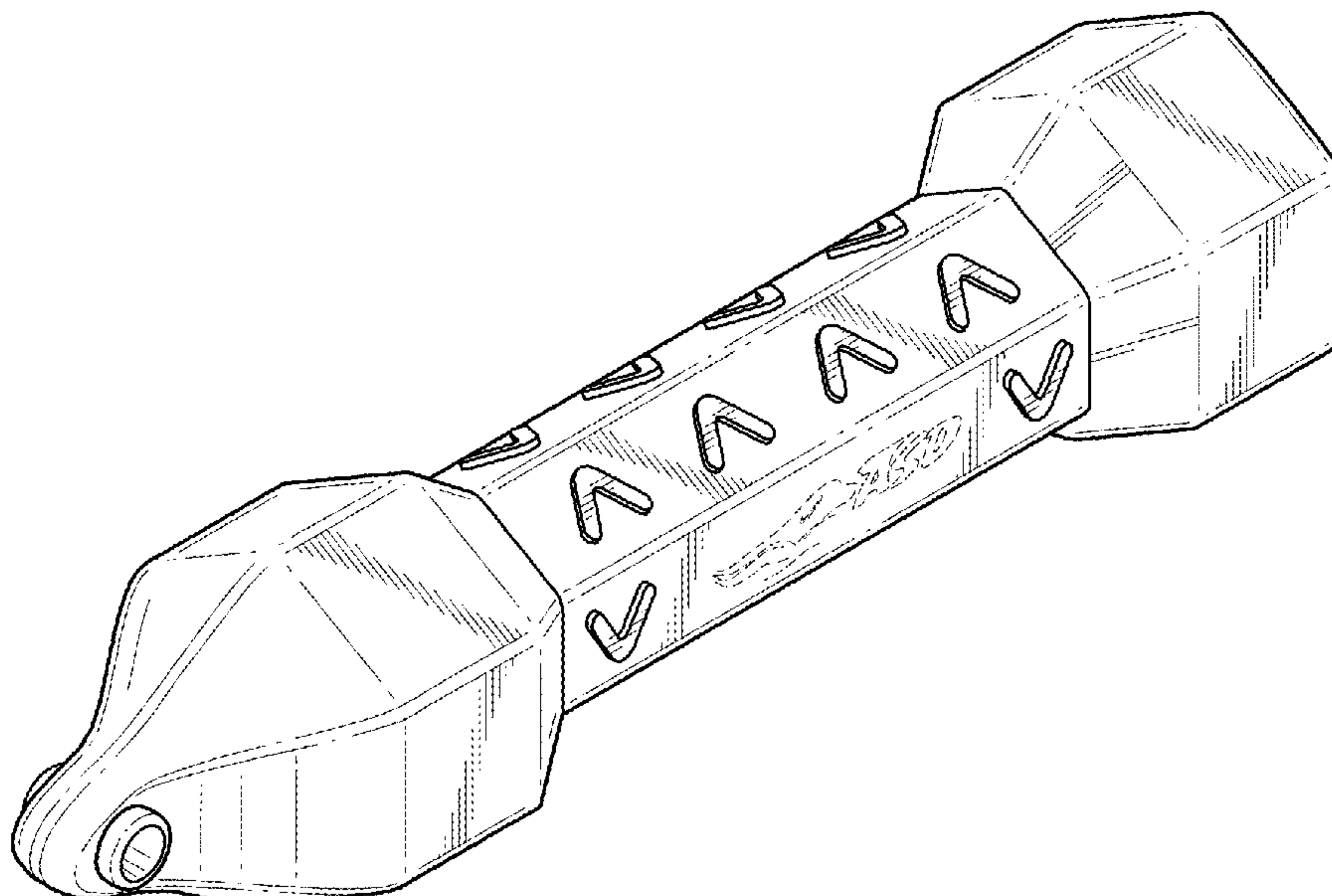


FIG. 1

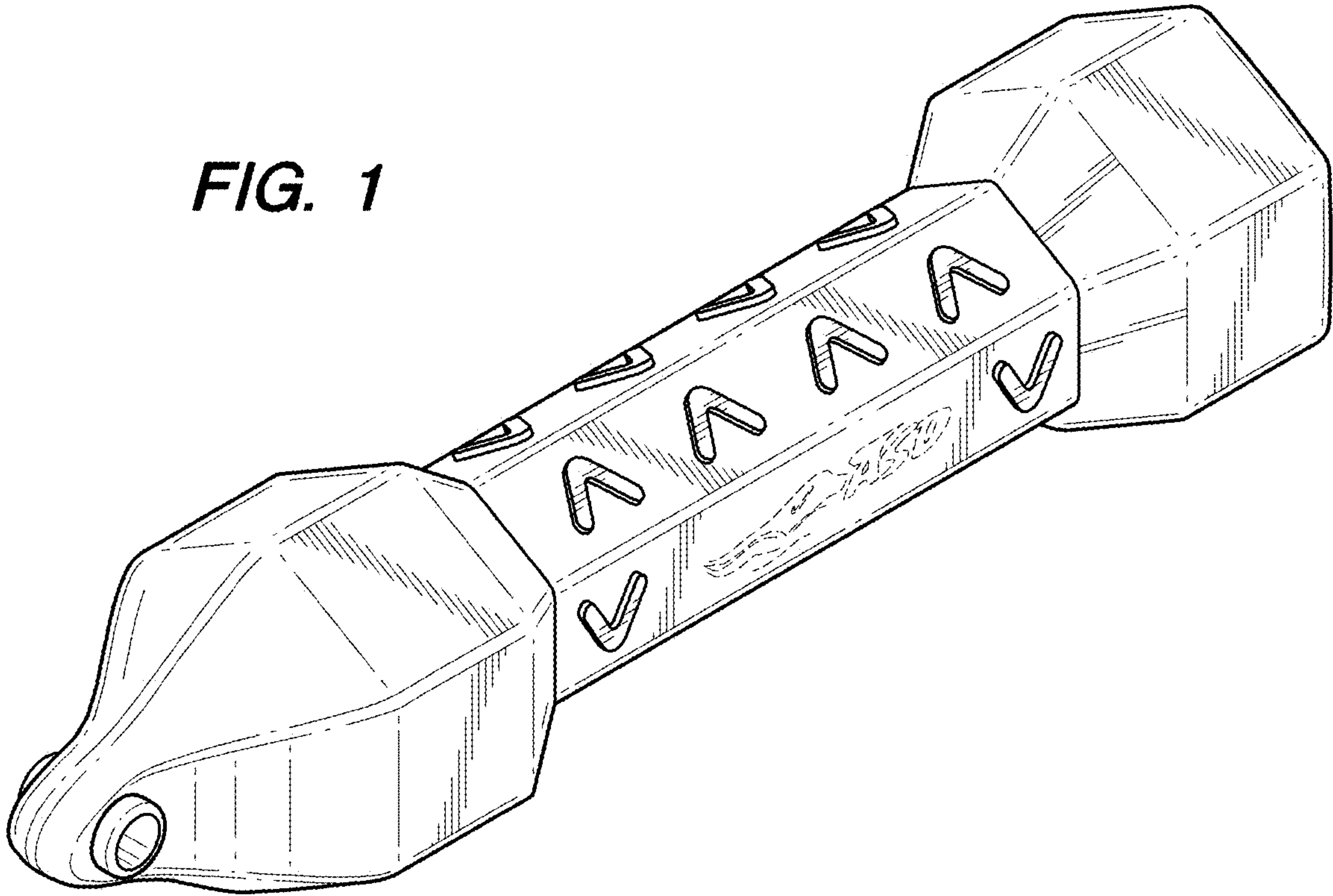
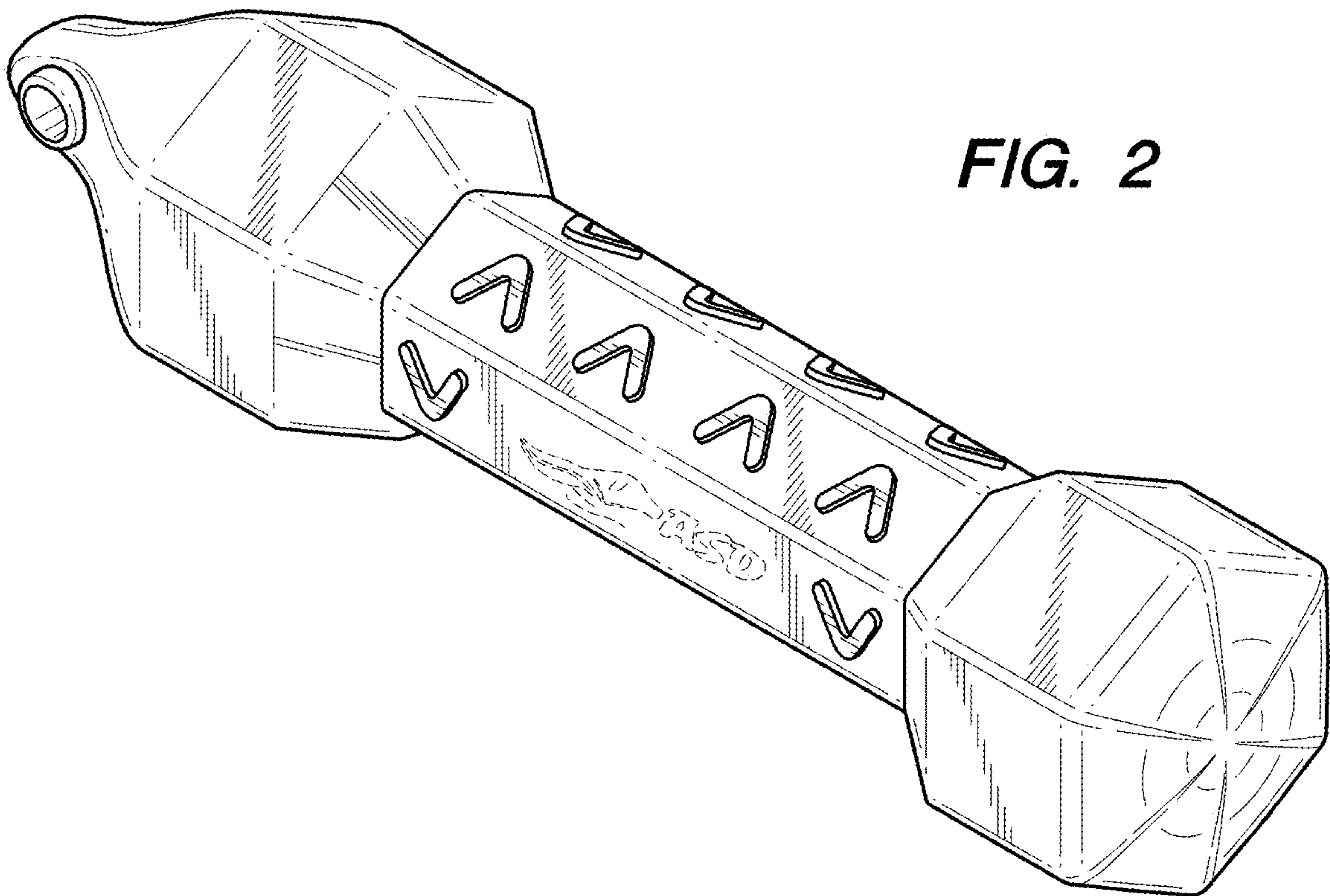


FIG. 2



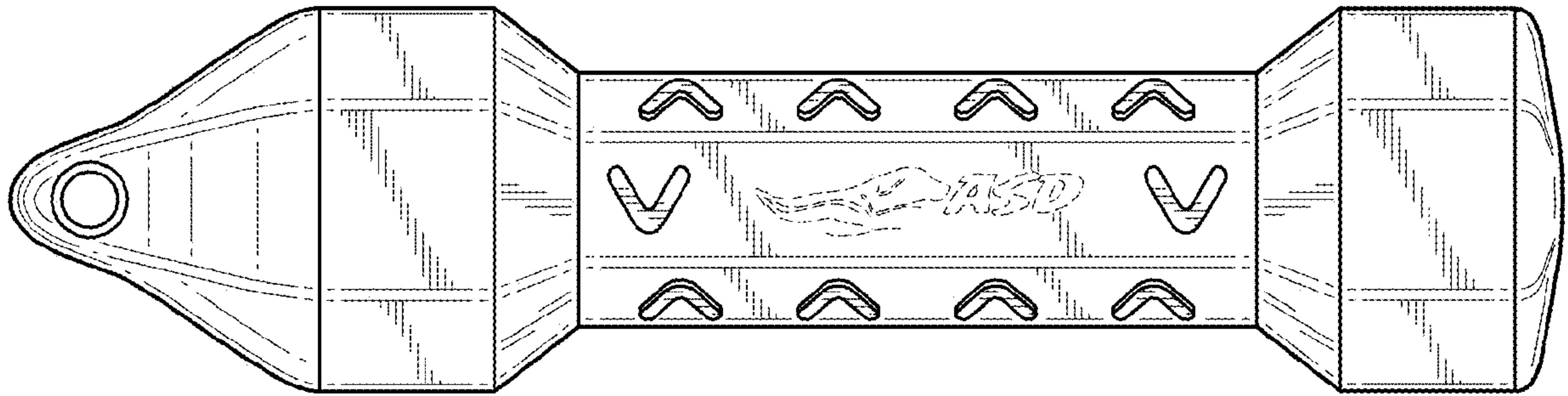


FIG. 3

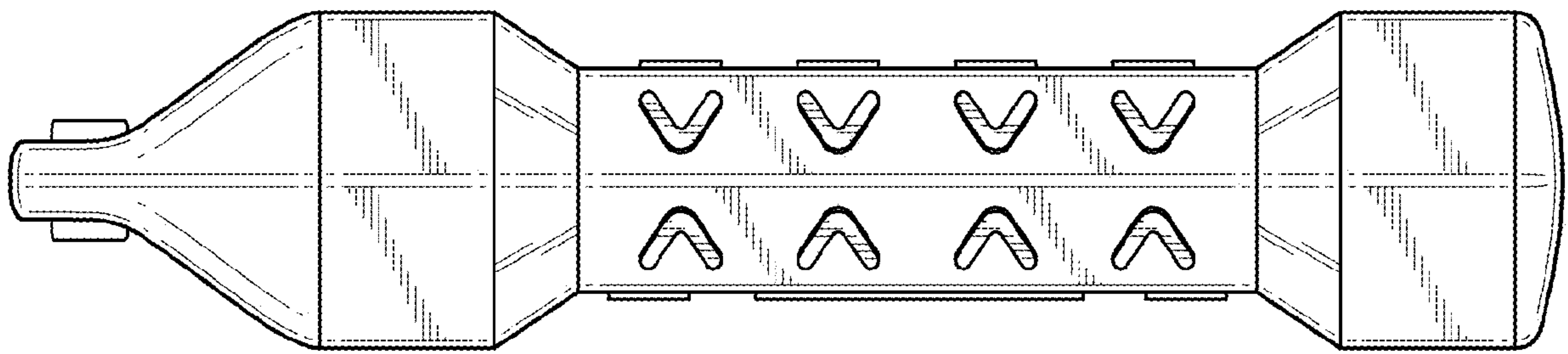


FIG. 4

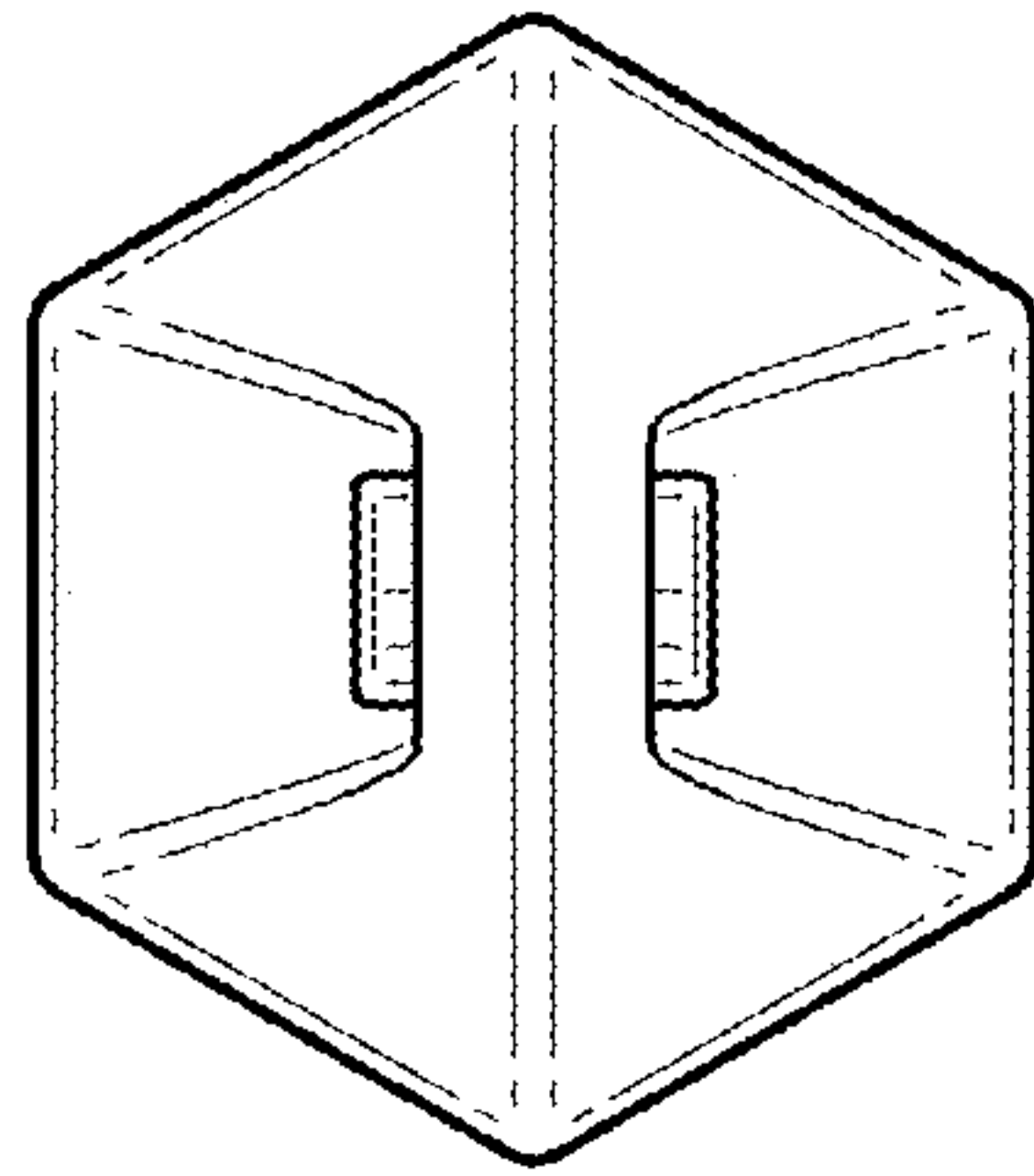


FIG. 5

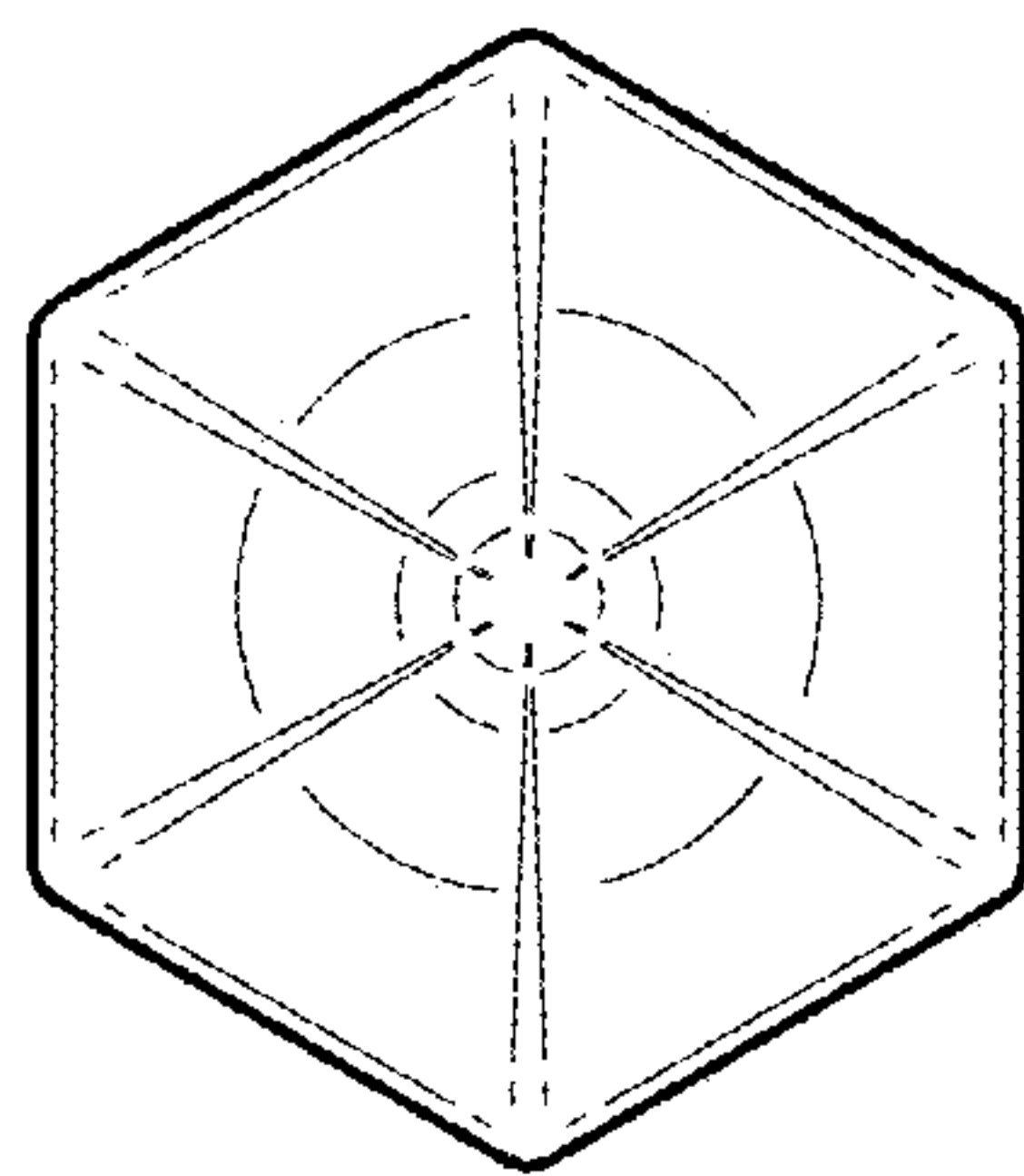


FIG. 6