



US00D938663S

(12) **United States Design Patent** (10) **Patent No.:** **US D938,663 S**
Mugford (45) **Date of Patent:** **** Dec. 14, 2021**

(54) **HEADCOLLAR**
(71) Applicant: **The Company of Animals Limited,**
Chertsey (GB)
(72) Inventor: **Roger Mugford,** Chertsey (GB)
(73) Assignee: **The Company of Animals Limited**
(**) Term: **15 Years**

(21) Appl. No.: **29/701,778**

(22) Filed: **Aug. 14, 2019**

(30) **Foreign Application Priority Data**

Feb. 15, 2019 (EM) 006256194-0002

(51) **LOC (13) Cl.** **30-04**

(52) **U.S. Cl.**
USPC **D30/152**

(58) **Field of Classification Search**
USPC D30/136, 137, 144, 145, 151, 152;
D24/190; D29/101.1, 101.3, 101.4;
D3/327
CPC A01K 27/002; A01K 15/04
See application file for complete search history.

(56) **References Cited**

U.S. PATENT DOCUMENTS

D289,810 S * 5/1987 Kotas D24/191
D378,150 S * 2/1997 DuBarry D30/152
5,992,352 A * 11/1999 Borchelt A01K 25/00
119/831
D458,717 S 6/2002 Mugford
D524,997 S * 7/2006 Franco A01K 27/00
D30/152
D564,139 S * 3/2008 Nichols D30/152
D664,309 S 7/2012 Mugford
D854,916 S * 7/2019 Derr D8/356
2007/0028856 A1 * 2/2007 Ma A01K 27/00
119/831

2008/0047501 A1* 2/2008 Madere A01K 27/002
119/863
2008/0163593 A1* 7/2008 Castelow B68B 7/00
54/24
2009/0000570 A1* 1/2009 Ashby A01K 27/00
119/858
2009/0320418 A1* 12/2009 Gibbons B68B 1/02
54/24
2011/0107982 A1* 5/2011 Taylor A61D 7/04
119/832
2017/0280685 A1* 10/2017 McCain A01K 27/002

OTHER PUBLICATIONS

“Halti Dogs: Headcollar”. Found online Mar. 10, 2021 at amazon.com. Reference dated Oct. 18, 2010. Retrieved from https://www.amazon.com/Halti-Dogs-Headcollar-Red-Size/dp/B0052WTI7W/ref=sr_1_12?.*

(Continued)

Primary Examiner — Kendra Leslie Hamilton
(74) *Attorney, Agent, or Firm* — Saidman DesignLaw Group, LLC

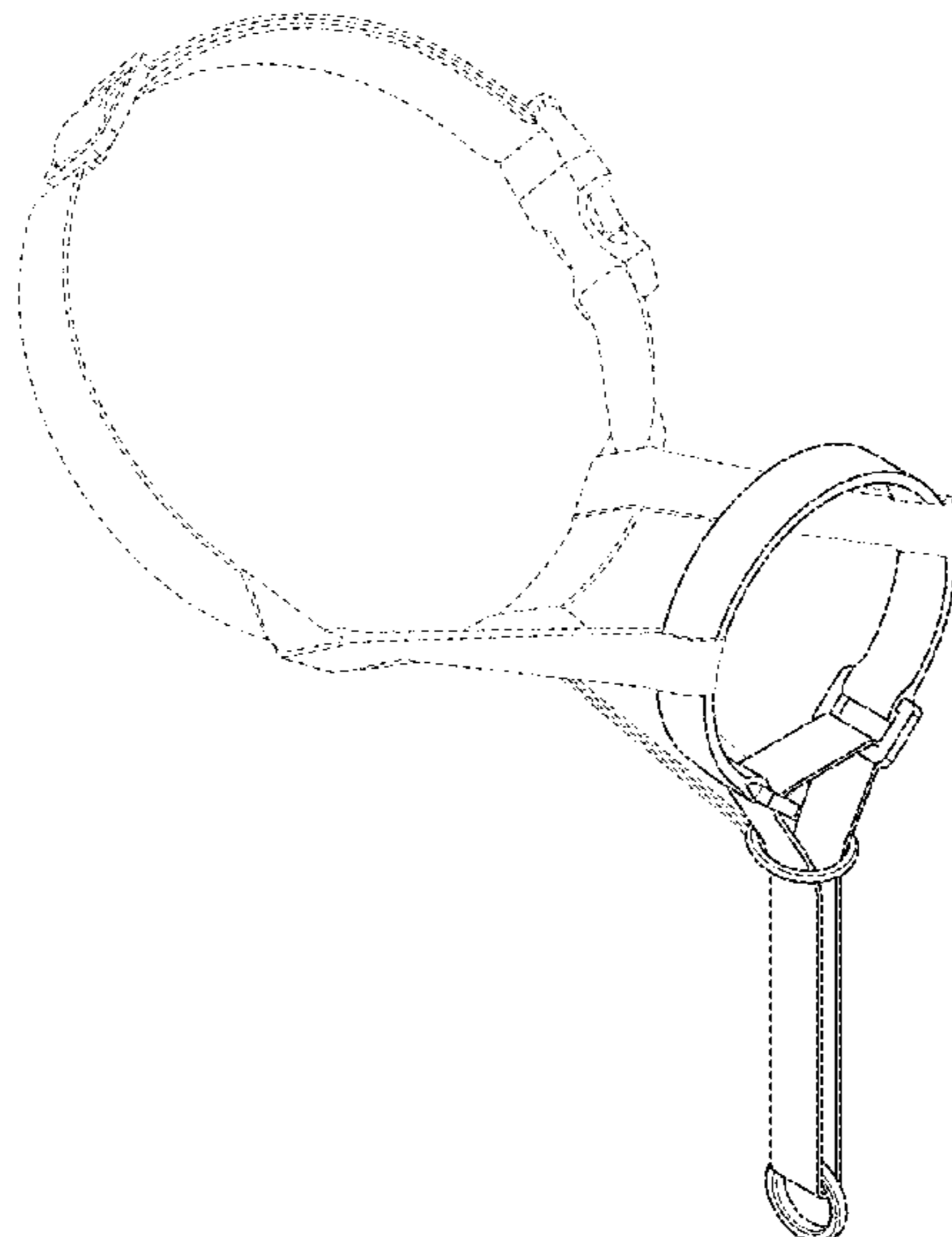
(57) **CLAIM**

The ornamental design for a headcollar, as shown and described.

DESCRIPTION

FIG. 1 is a perspective view of a headcollar showing my new design;
FIG. 2 is a front view thereof;
FIG. 3 is a rear view thereof;
FIG. 4 is a right side view thereof;
FIG. 5 is a left side view thereof;
FIG. 6 is a top view thereof; and,
FIG. 7 is a bottom view thereof.
The broken lines depict portions of the headcollar which form no part of the claimed design.

1 Claim, 7 Drawing Sheets



(56)

References Cited

OTHER PUBLICATIONS

“Company Of Animals: Halti OptiFit Headcollar”. Found online Dec. 1, 2020 at youtube.com. Reference dated Jun. 17, 2016. Retrieved from <https://www.youtube.com/watch?v=938qUYp3rwg>.*
“Notes from a Dog Walker: A Head Harness You Won’t Hate—Gentle Leader”. Found online Dec. 3, 2020 at notesfromadogwalker.com. Reference dated Dec. 3, 2012. Retrieved from <https://notesfromadogwalker.com/2012/12/03/a-head-harness-you-wont-hate/>.*

* cited by examiner

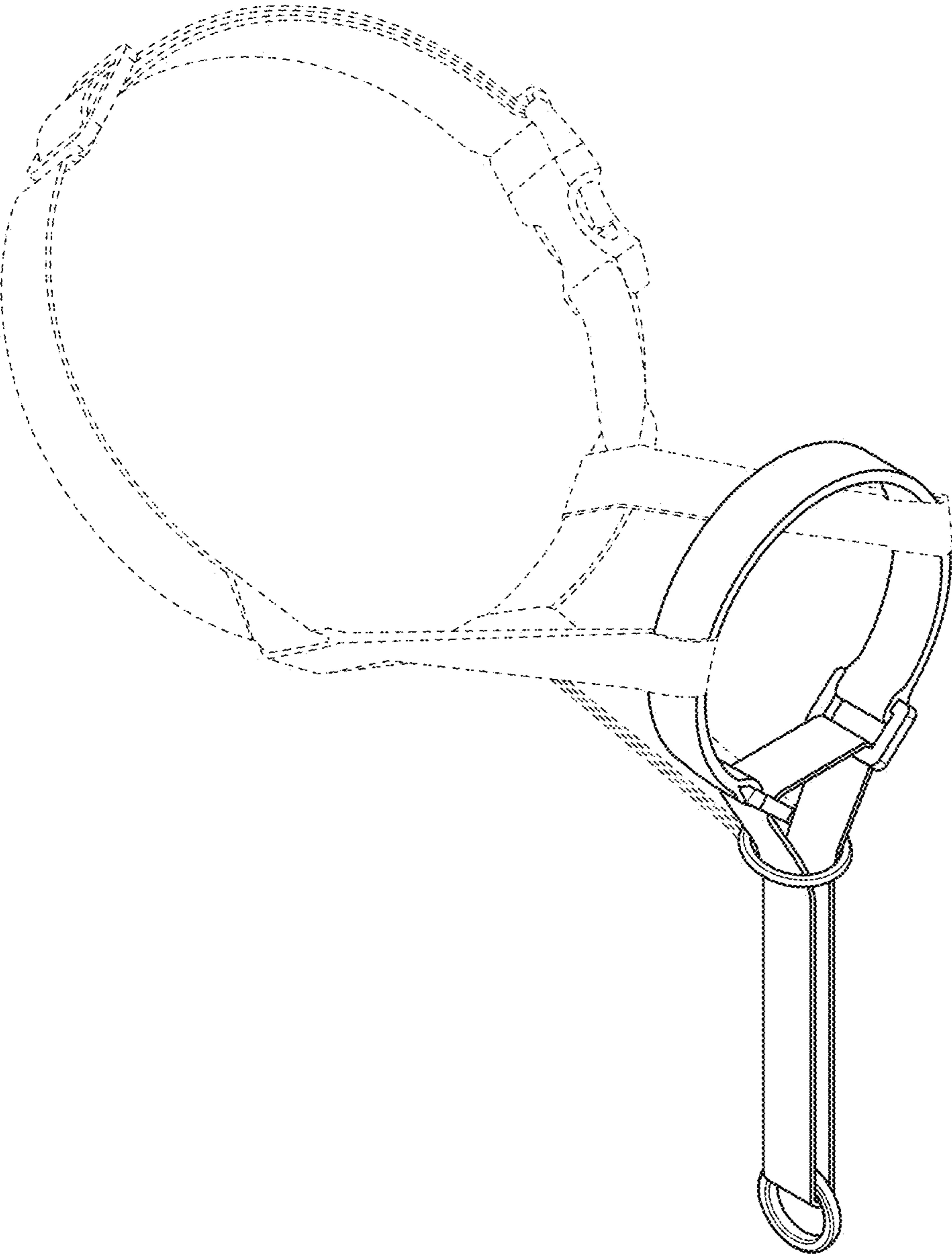


FIG. 1

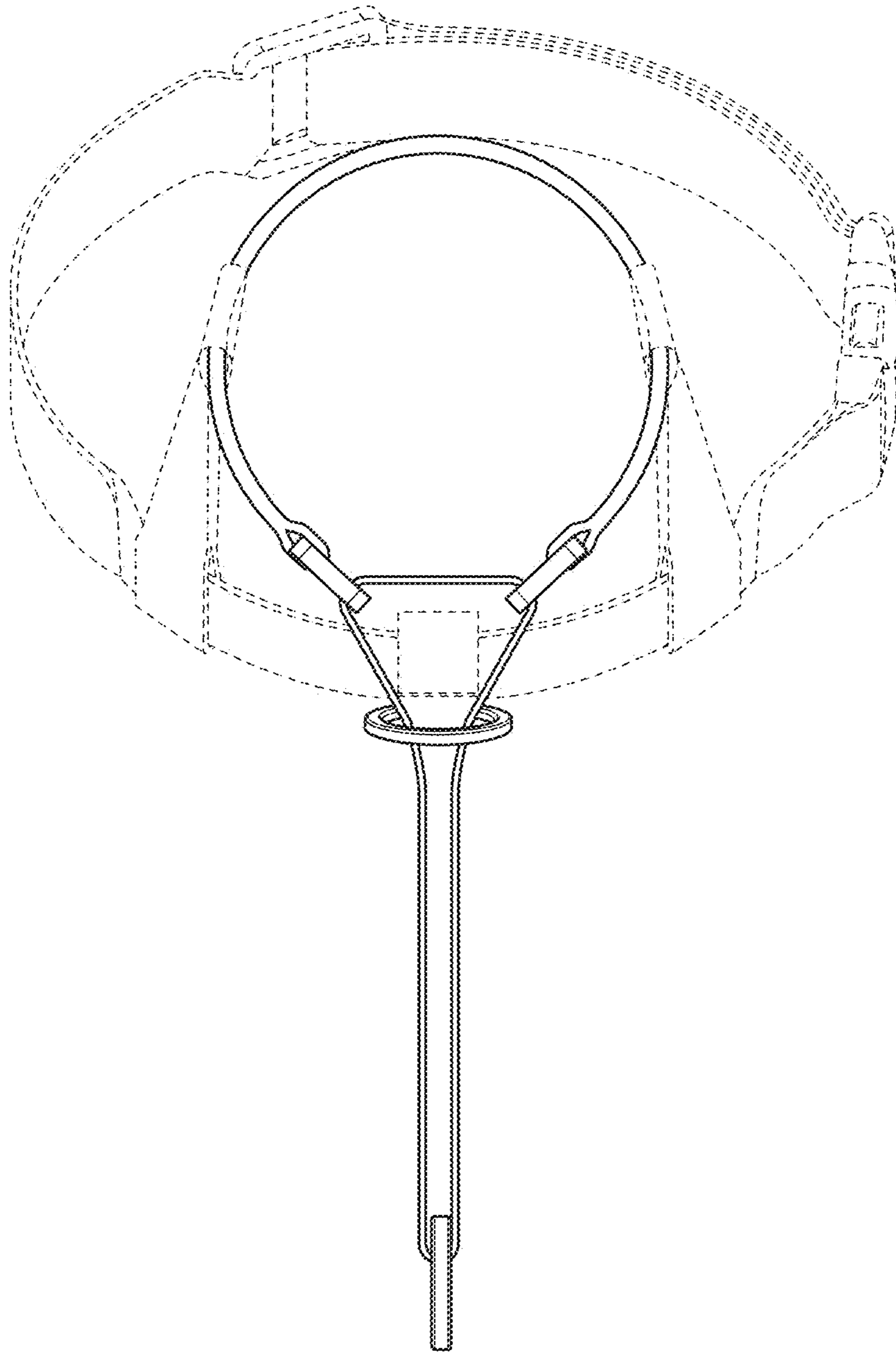


FIG. 2

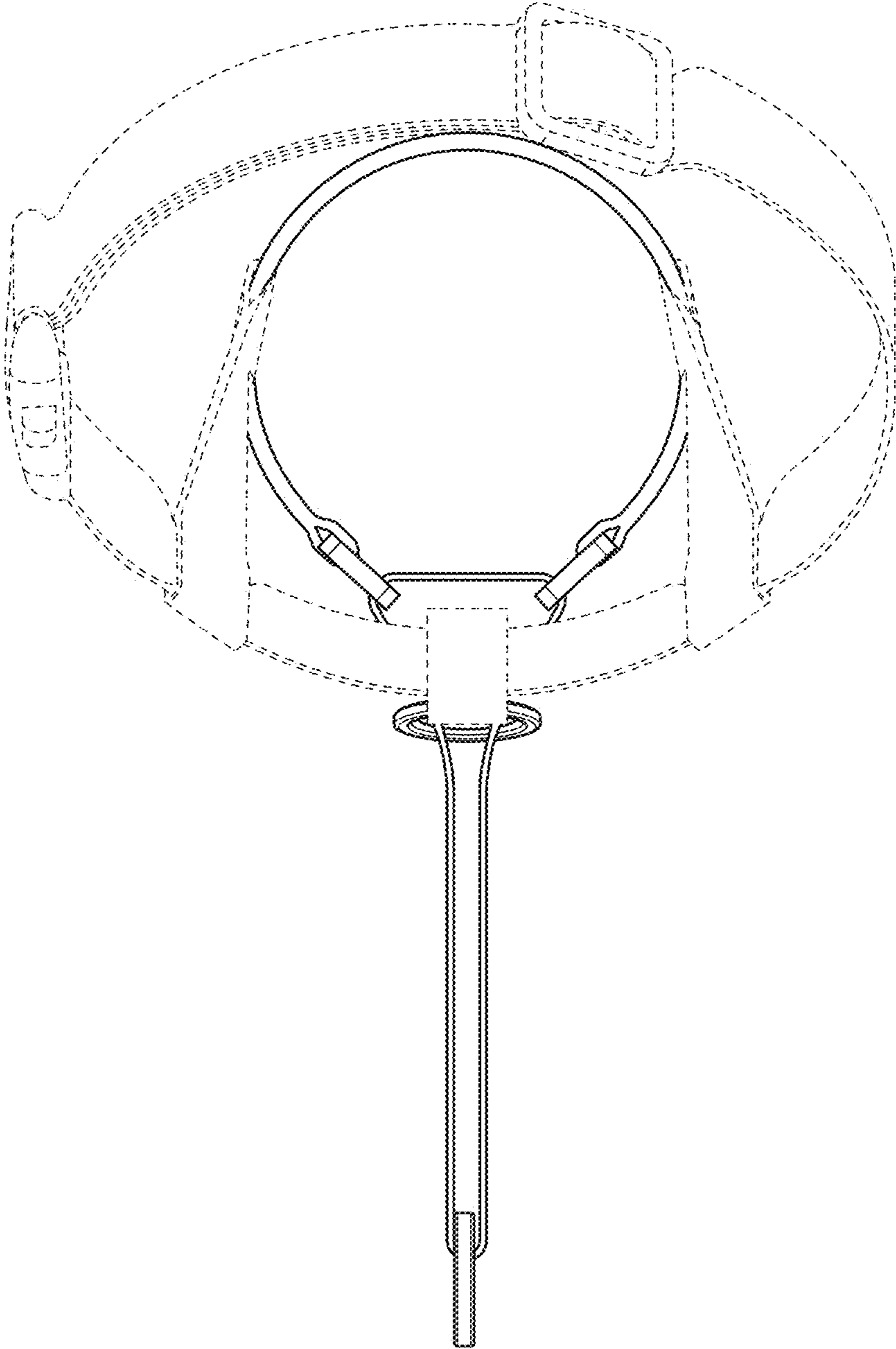


FIG. 3

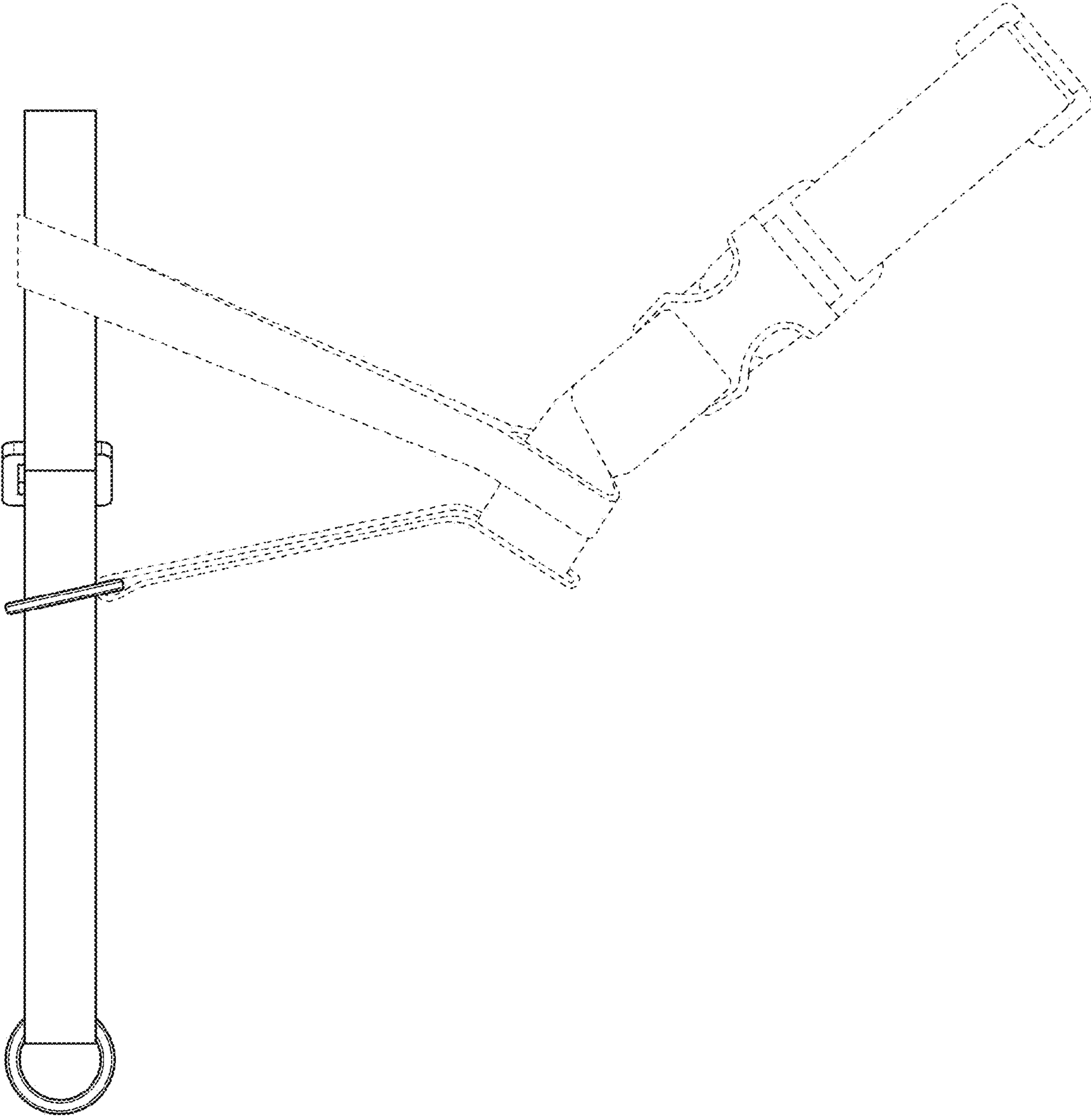


FIG. 4

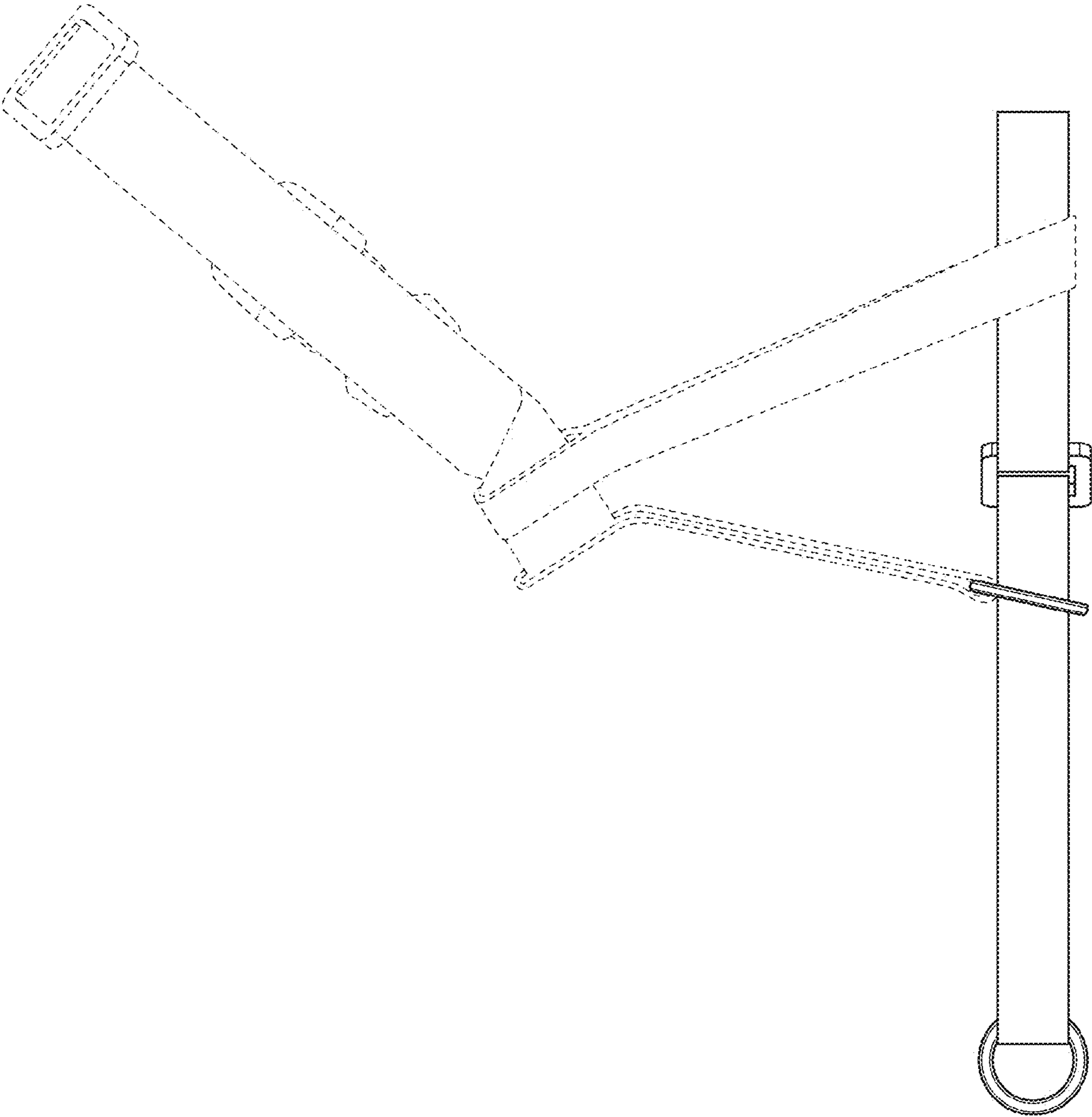


FIG. 5

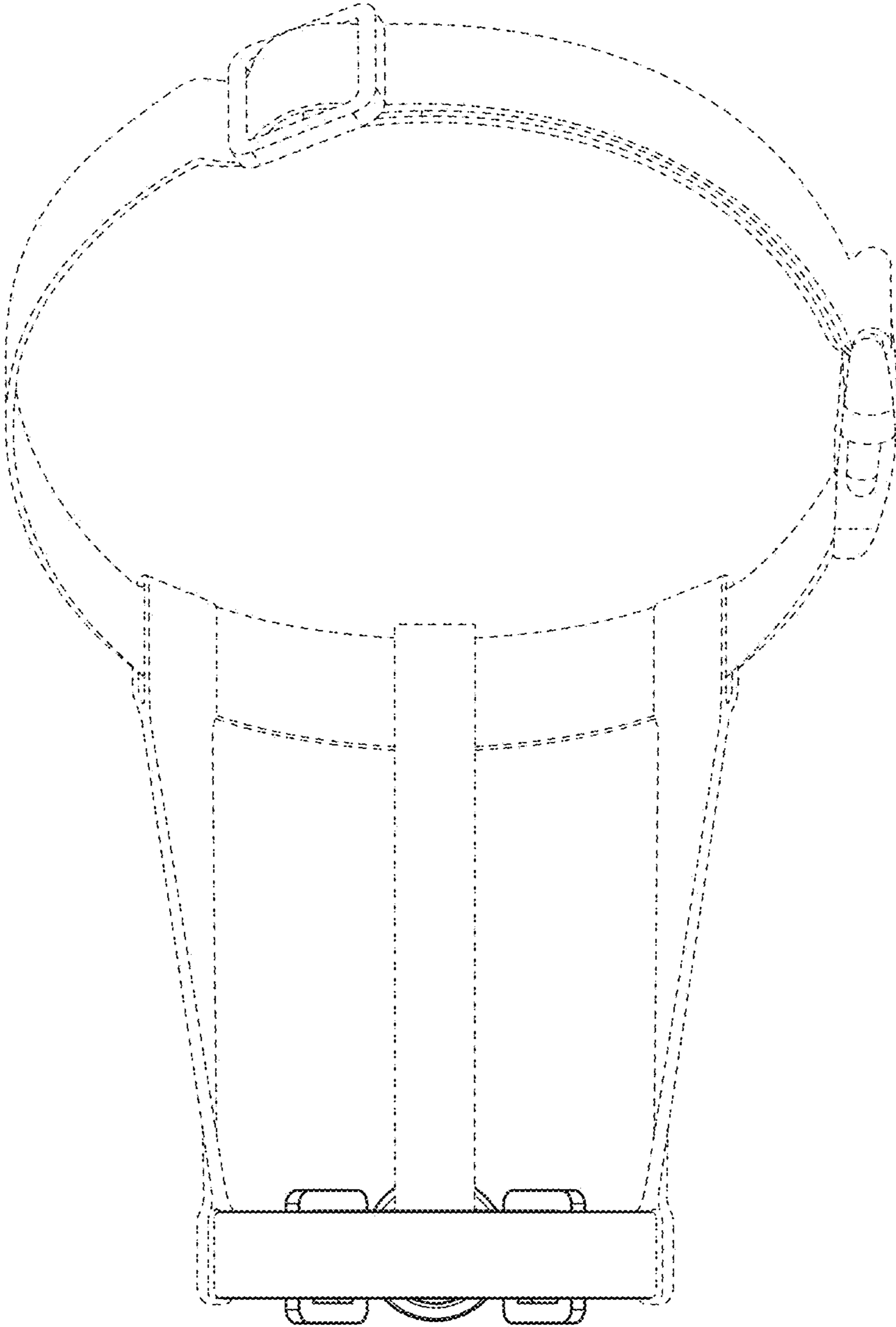


FIG. 6

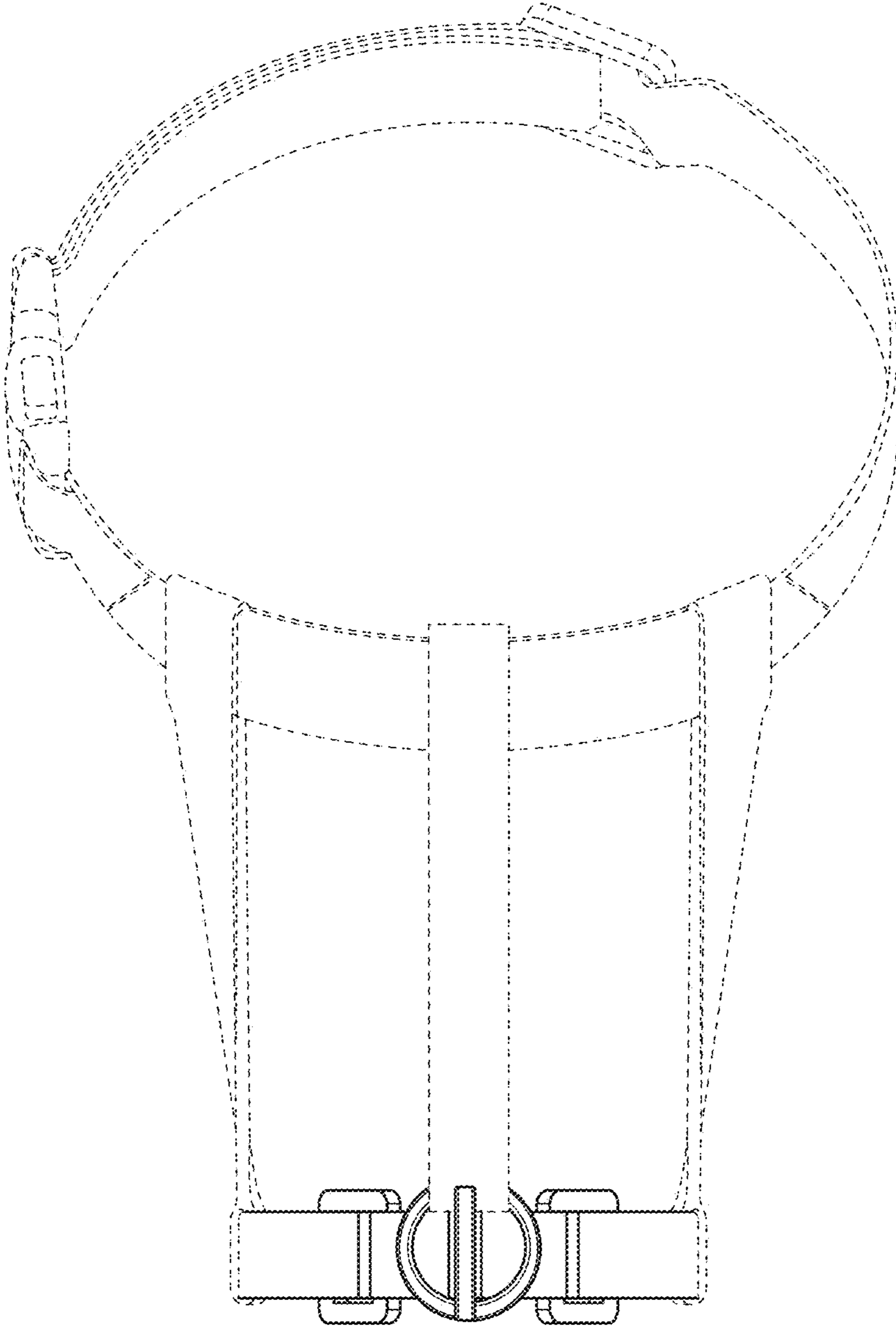


FIG. 7