



US00D938662S

(12) **United States Design Patent**
Petterson et al.

(10) **Patent No.:** **US D938,662 S**

(45) **Date of Patent:** **** Dec. 14, 2021**

(54) **EQUINE PASTER N WRAP**

(71) Applicants: **Raymond Petterson**, Tallahassee, FL (US); **Paula Susan Bradford**, Tallahassee, FL (US)

(72) Inventors: **Raymond Petterson**, Tallahassee, FL (US); **Paula Susan Bradford**, Tallahassee, FL (US)

(**) Term: **15 Years**

(21) Appl. No.: **29/730,195**

(22) Filed: **Apr. 2, 2020**

(51) **LOC (13) Cl.** **30-01**

(52) **U.S. Cl.**
USPC **D30/146**

(58) **Field of Classification Search**
USPC D30/144, 145, 146, 147, 148, 150, 151, D30/199; D2/626, 829, 860, 897, 902, D2/909, 914, 919, 943, 947, 980; D24/188, 189, 192; D21/387; D9/650
CPC A01K 13/007; A01K 13/006; A01L 3/02; A01L 1/02; A01L 5/00
See application file for complete search history.

(56) **References Cited**

U.S. PATENT DOCUMENTS

2,886,935	A *	5/1959	Shelton	A01K 13/007
					54/71
3,794,119	A *	2/1974	Paiso	A01L 3/00
					D30/147
3,800,504	A *	4/1974	Gregory	A01K 15/02
					D30/147
5,224,549	A *	7/1993	Lightner	A01L 5/00
					168/18
D411,356	S *	6/1999	Roper	D30/146
6,560,951	B1 *	5/2003	Wood	A01K 13/007
					168/18
D616,614	S *	5/2010	Ruetenik	D30/147
D671,693	S *	11/2012	Ford	D30/146

D815,804	S *	4/2018	Cirigliano	D2/860
2008/0264005	A1 *	10/2008	Ford	A01L 3/00
					54/82
2016/0029609	A1 *	2/2016	MacDonald	A01L 3/00
					168/18

(Continued)

OTHER PUBLICATIONS

“Sox For Horses: Silver Bells Pastern Wraps”. Found online Jul. 26, 2021 at equimed.com. Reference dated Dec. 7, 2020. Retrieved from <https://equimed.com/news/products/announcing-silver-bells-mud-defeating-pastern-wraps-for-your-horse>.*

(Continued)

Primary Examiner — Kendra Leslie Hamilton

(74) *Attorney, Agent, or Firm* — Adrienne Love

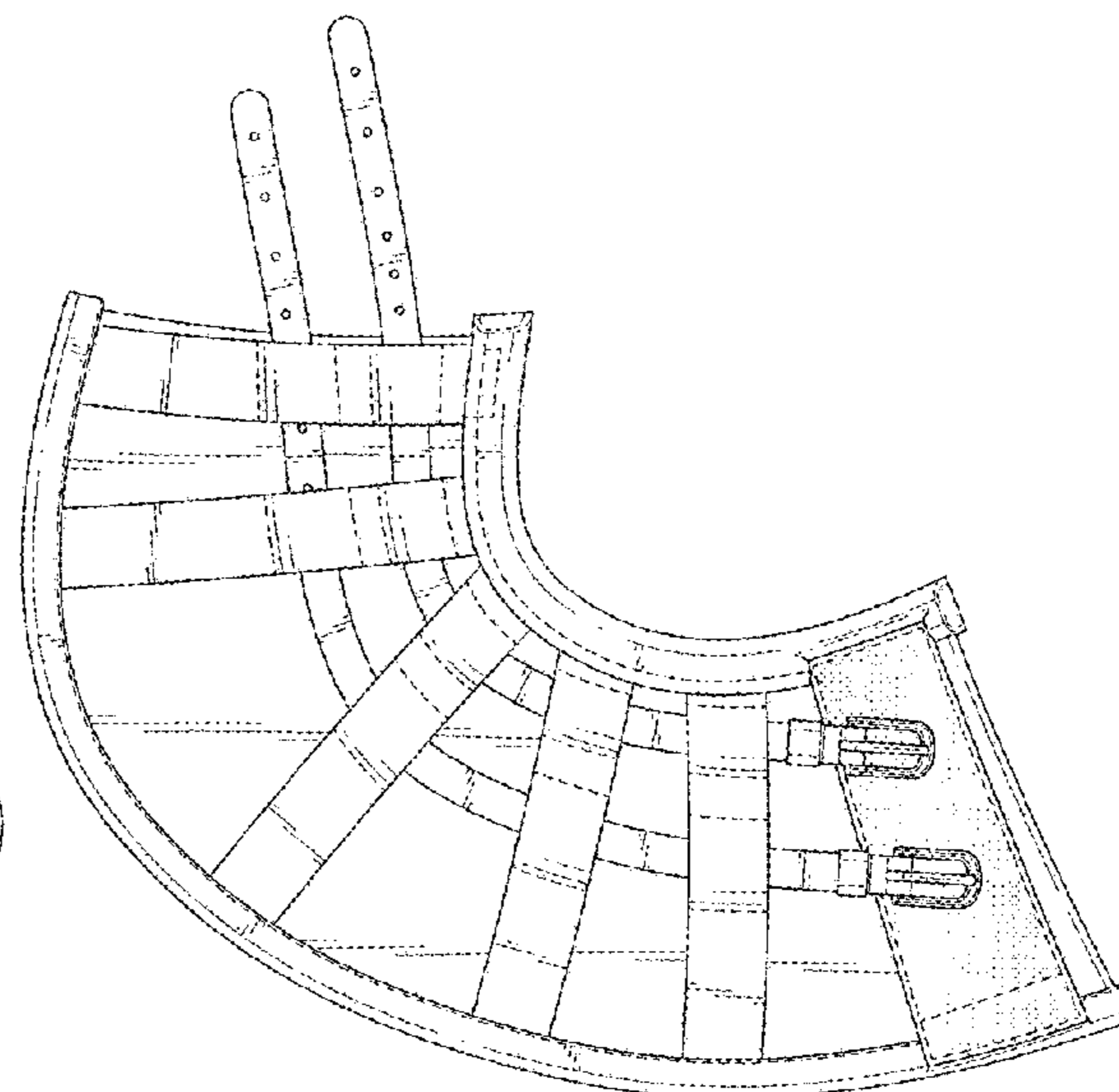
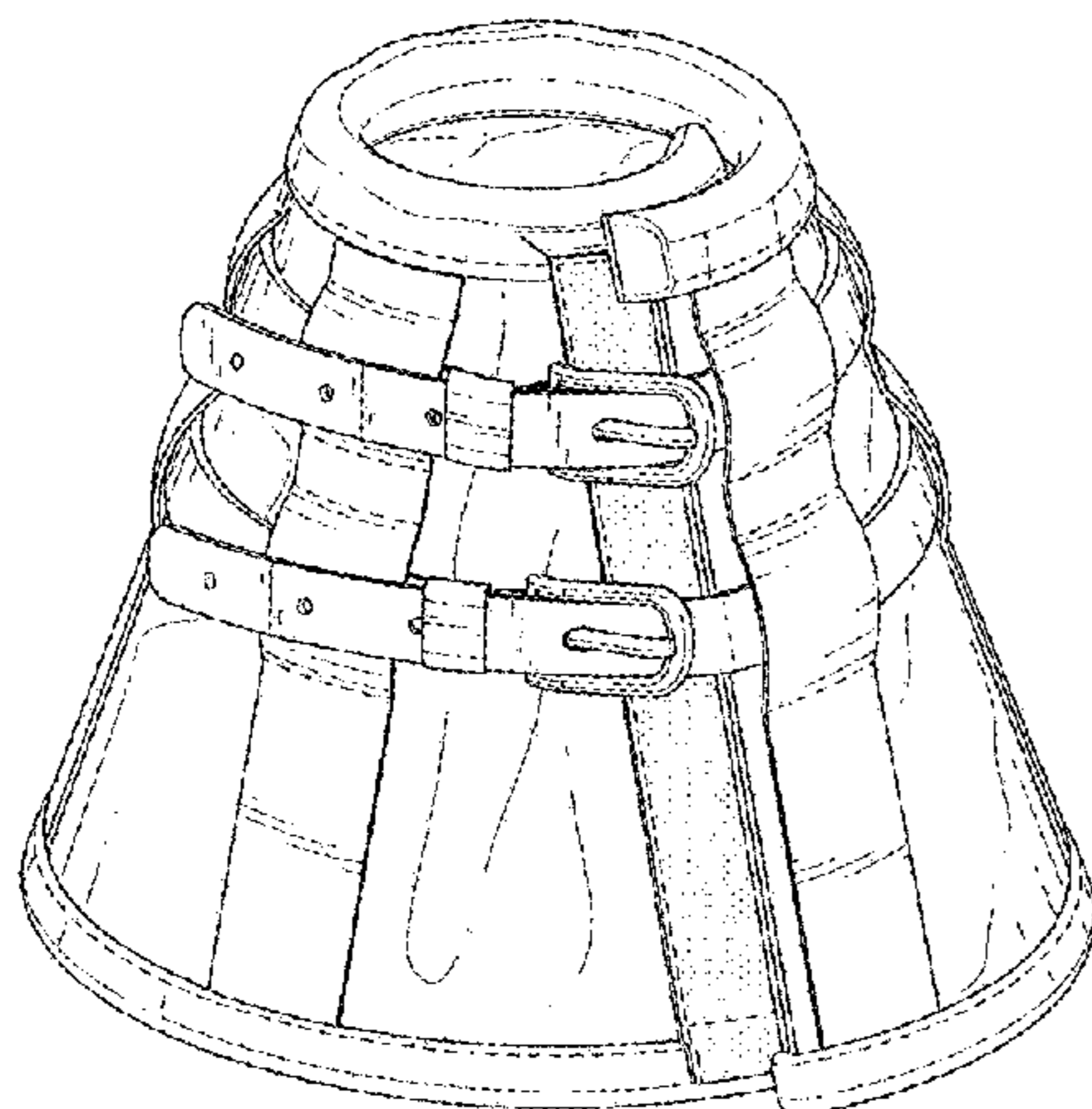
(57) **CLAIM**

The ornamental design for an equine pastern wrap, as shown and described.

DESCRIPTION

FIG. 1 is a top, front, right perspective view of an equine pastern wrap, showing our new design fastened and in a first configuration;
FIG. 2 is a front elevation view thereof;
FIG. 3 is a rear elevation view thereof;
FIG. 4 is a right side elevation view thereof;
FIG. 5 is a left side elevation view thereof;
FIG. 6 is a top plan view thereof;
FIG. 7 is a bottom plan view thereof;
FIG. 8 is a top plan view of the equine pastern wrap of FIG. 1, shown with the wrap open and flattened in a second configuration; and,
FIG. 9 is a bottom plan view thereof.
In the drawings, the broken lines on the equine pastern wrap depict stitching and form part of the claimed design. The drawings are shaded to indicate contrasting surfaces.

1 Claim, 9 Drawing Sheets



(56)

References Cited

U.S. PATENT DOCUMENTS

2017/0231194 A1* 8/2017 Coder A01K 13/007
54/82
2020/0196572 A1* 6/2020 Oh A01K 13/007

OTHER PUBLICATIONS

“RPS: Leather Bell Boots with Hook and Strap Fastenings”. Found online Jul. 26, 2021 at facebook.com. Reference dated Apr. 2, 2014. Retrieved from https://m.facebook.com/Rowland-Park-Saddlery-514528408666334/?_tn_=%2Cg.*

“Cavallo: Simple Hoof Boots”. Found online Dec. 11, 2019 at amazon.co.uk. Reference dated May 24, 2011. Retrieved from https://www.amazon.co.uk/Cavallo-Simple-Hoof-Boots-Black-0/dp/B0052B3CUM/ref=sr_1_5?.*

“Horze: Pro Overreach Bell Boots”. Found online Jul. 26, 2021 at amazon.com. Reference dated Mar. 15, 2014. Retrieved from https://www.amazon.com/dp/B007FS6DBU/ref=sspa_dk_detail_1?.*

* cited by examiner

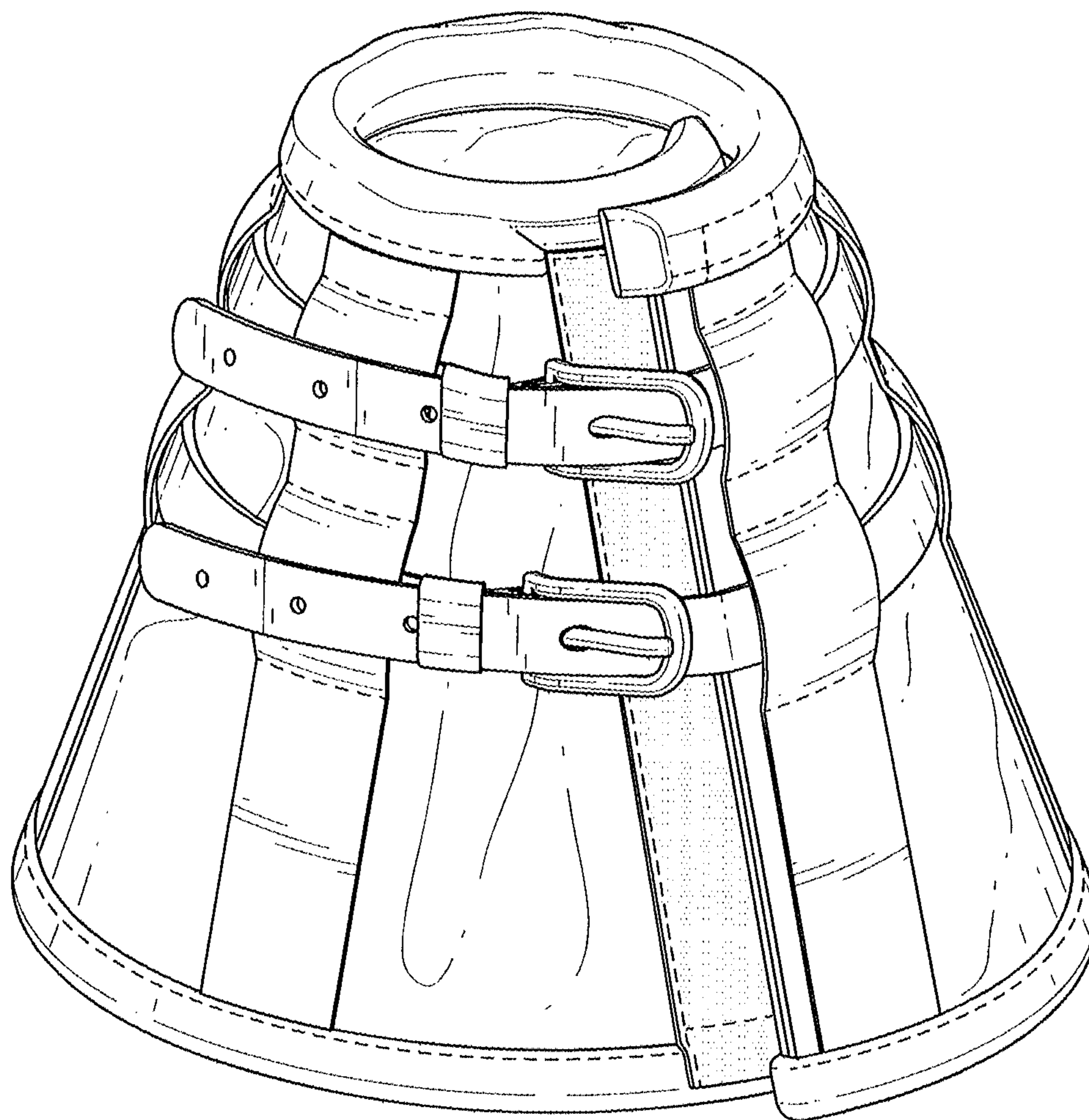


FIG. 1

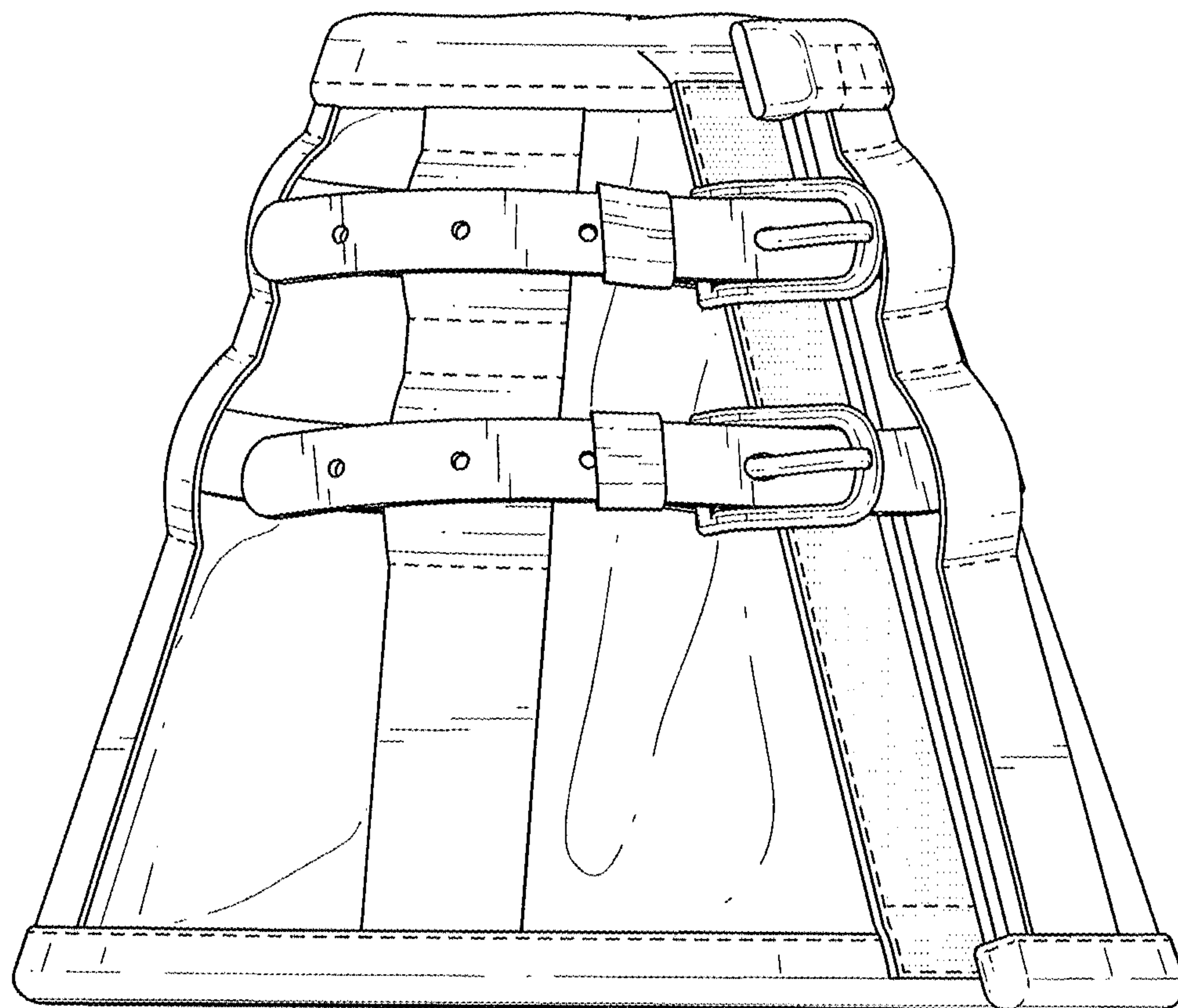


FIG. 2

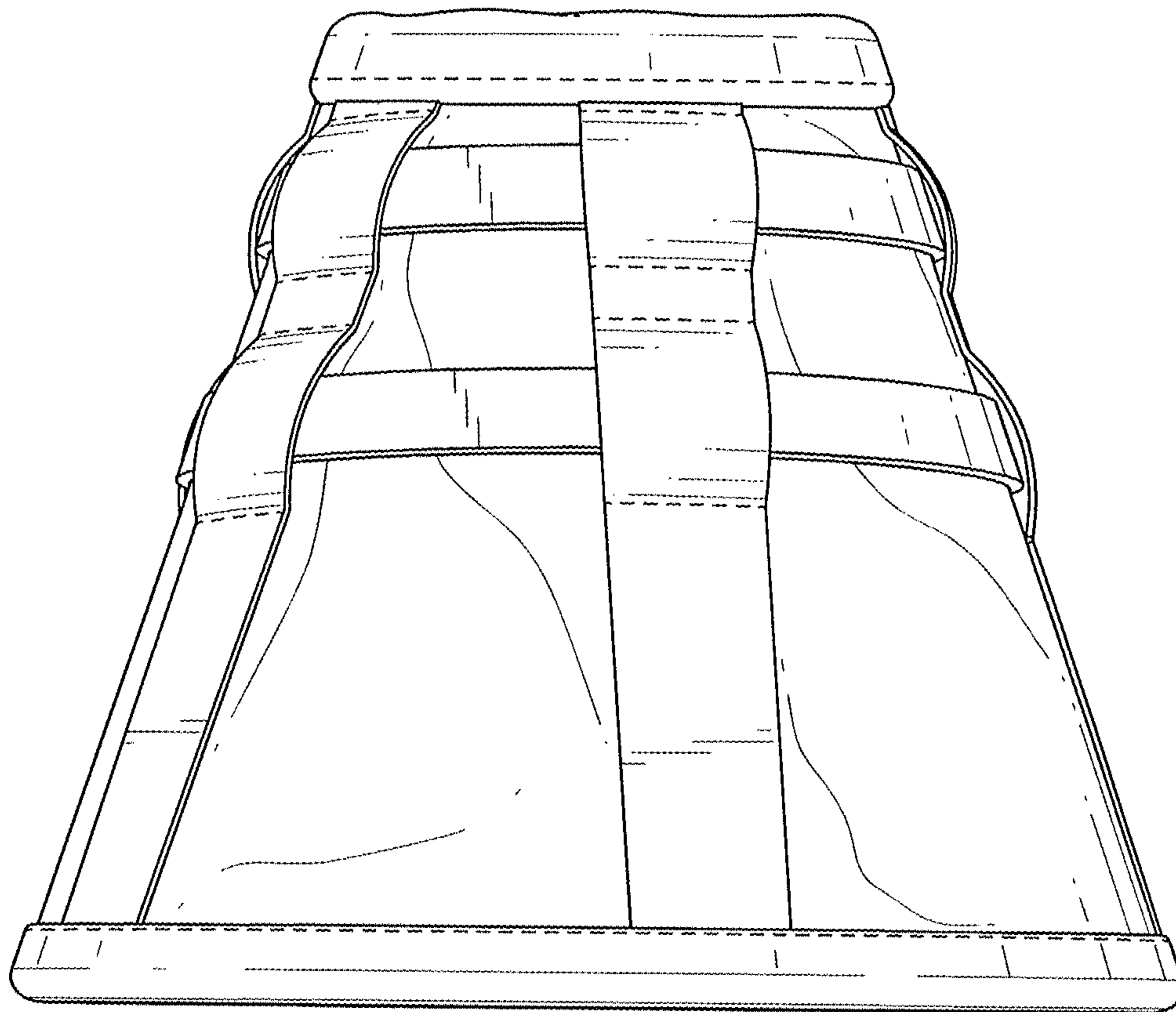


FIG. 3

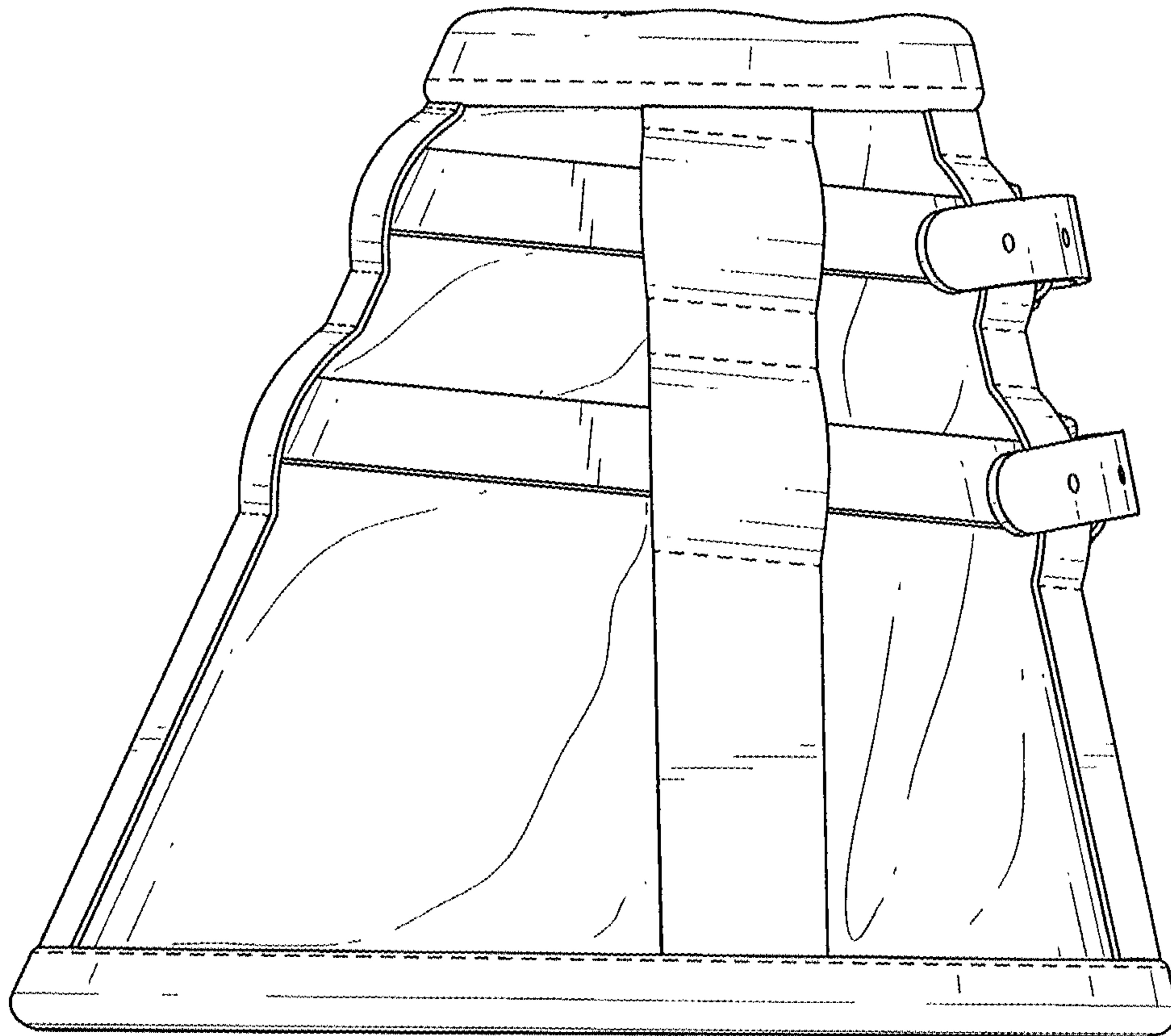


FIG. 4

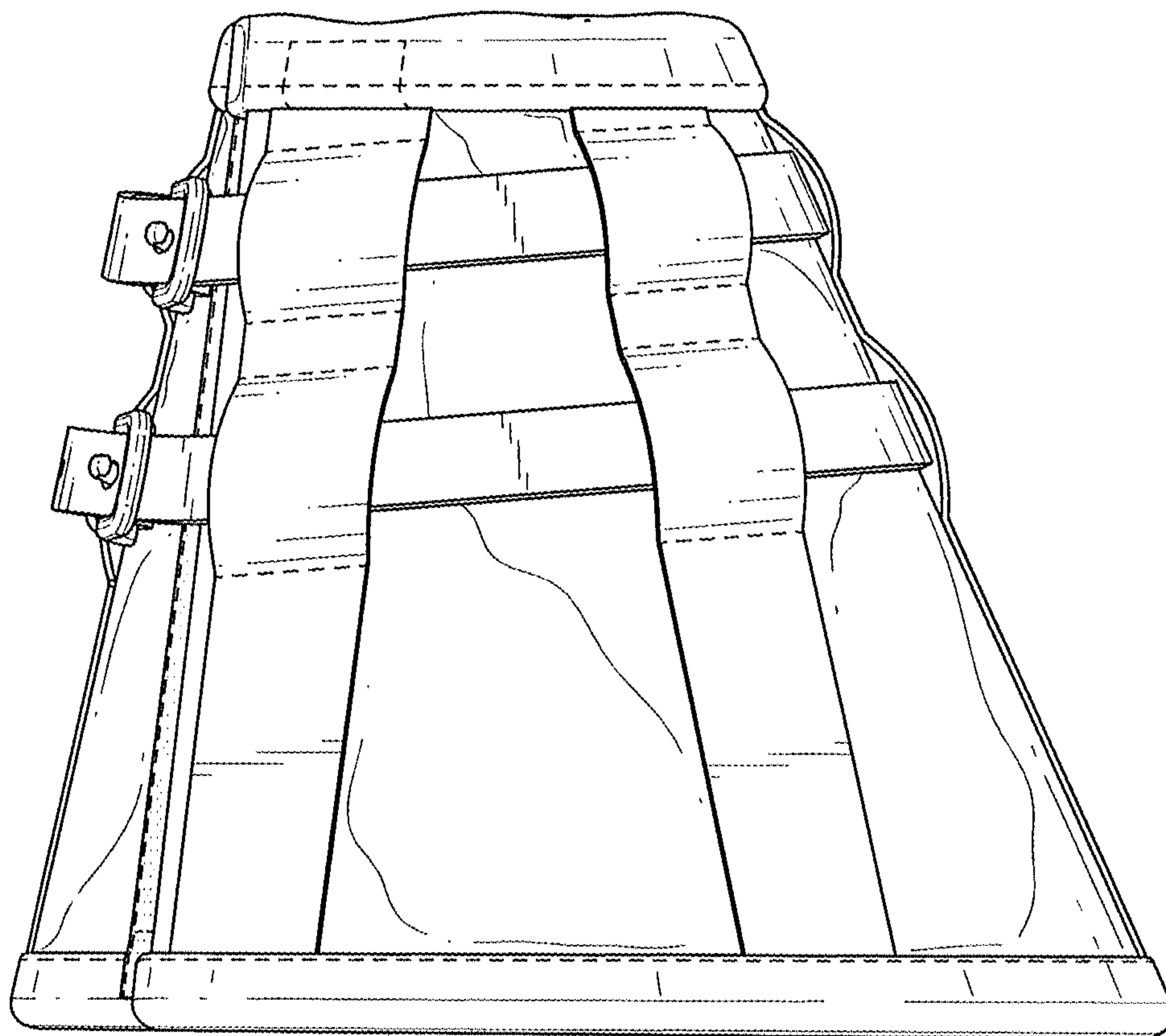


FIG. 5

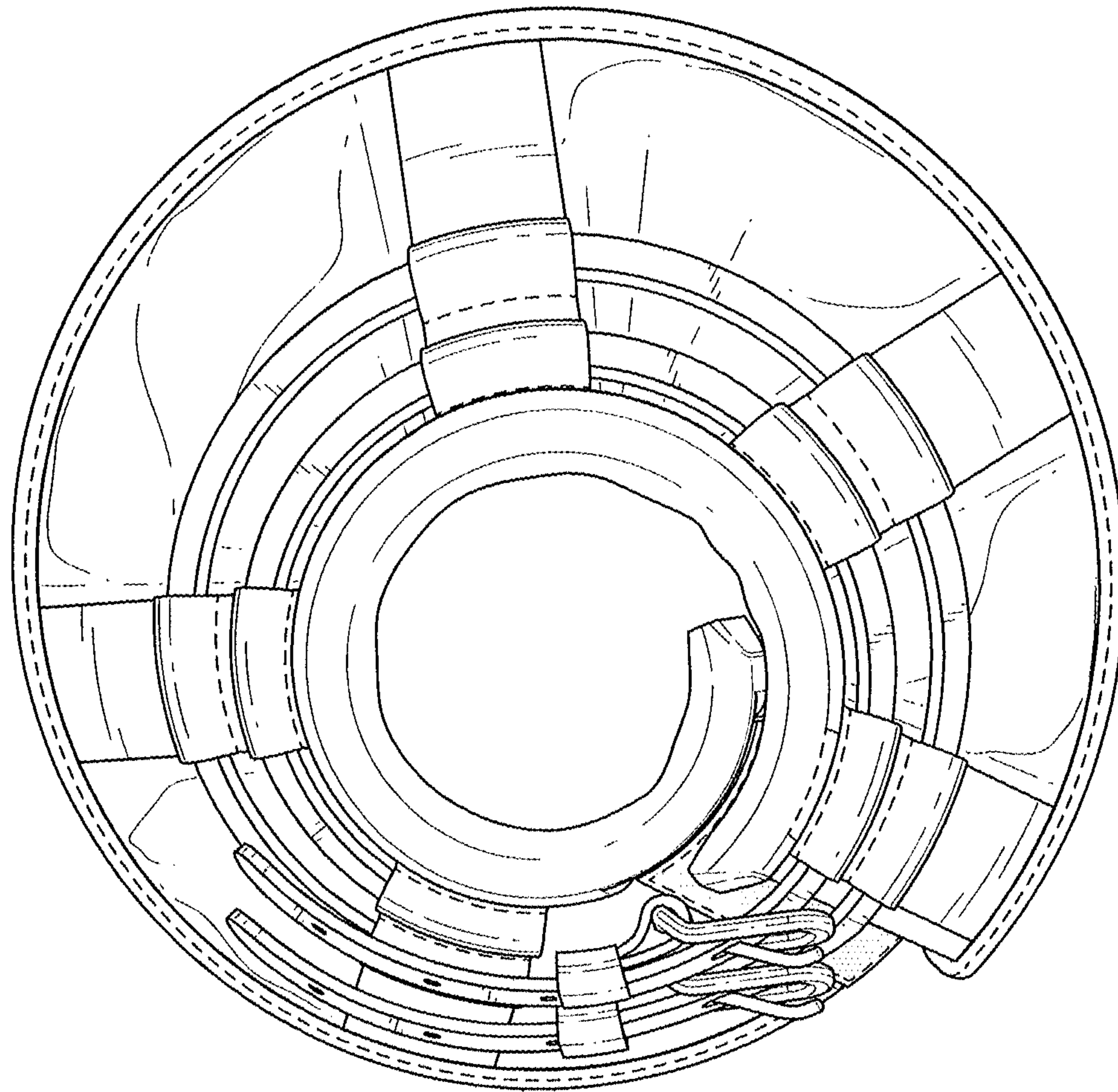


FIG. 6

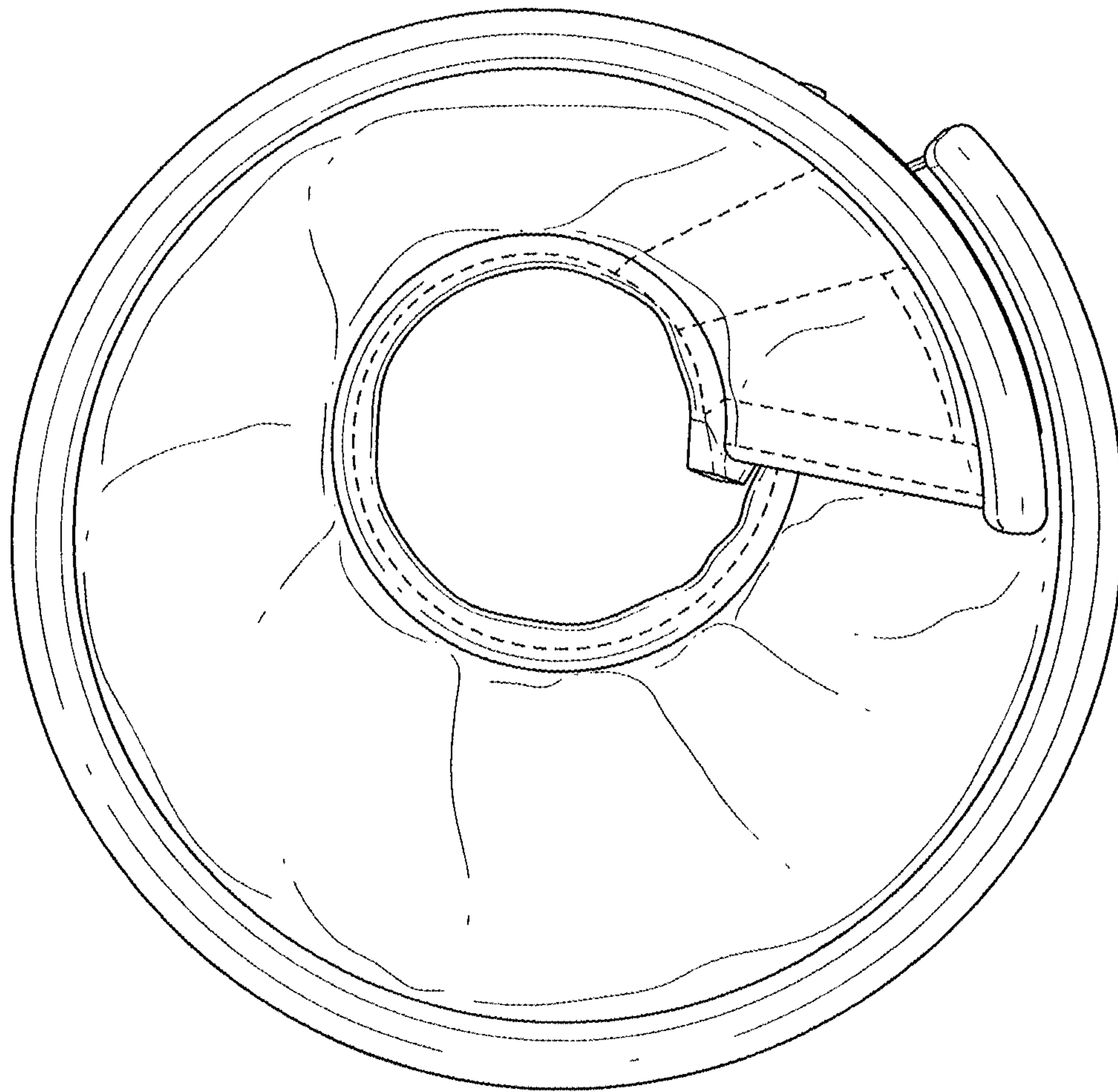


FIG. 7

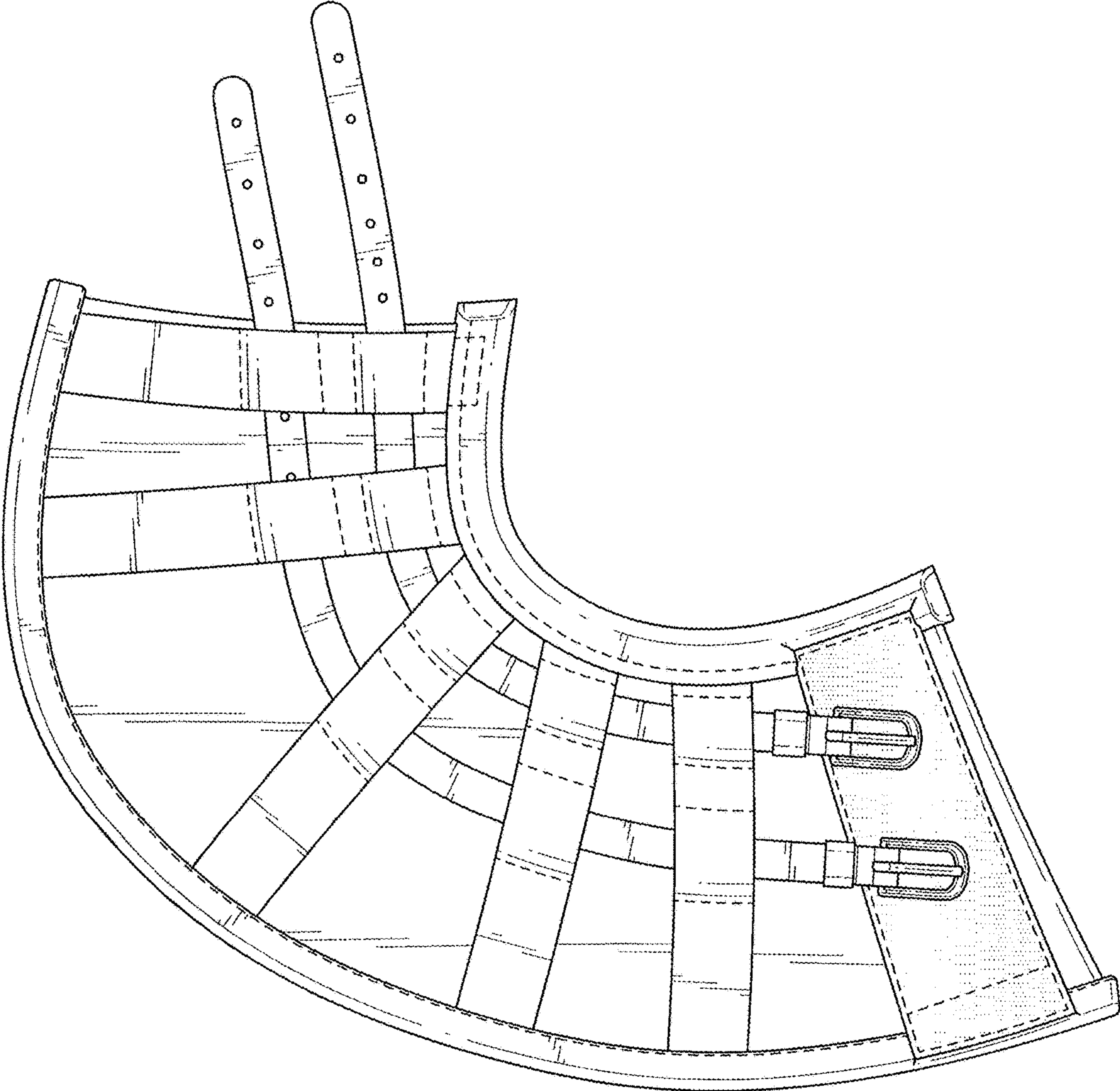


FIG. 8

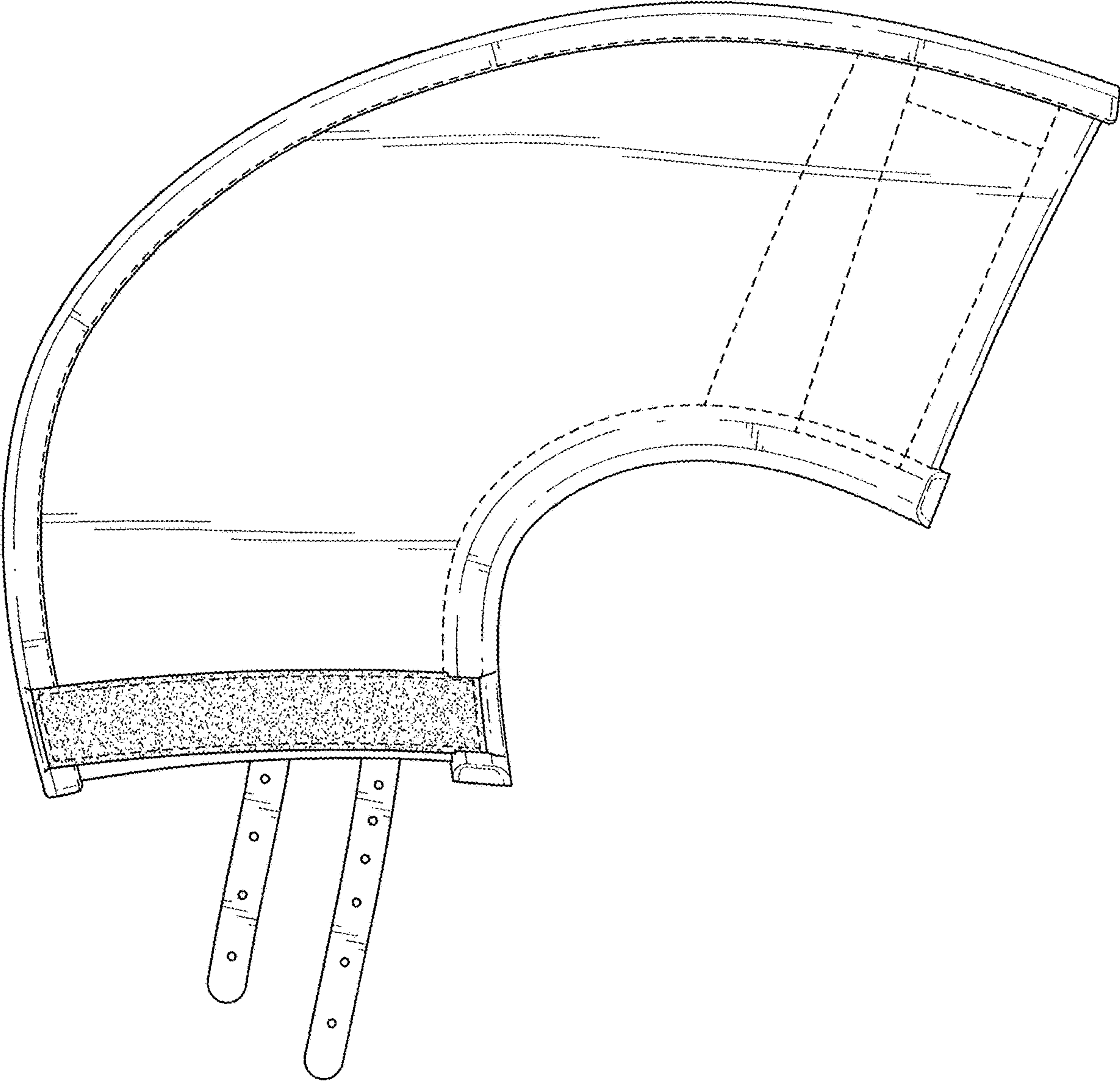


FIG. 9