



US00D938660S

(12) **United States Design Patent** (10) **Patent No.:** **US D938,660 S**  
**Ye** (45) **Date of Patent:** **\*\* Dec. 14, 2021**

(54) **DOG FEEDING BOWL**  
(71) Applicant: **Shuisheng Ye**, Shenzhen (CN)  
(72) Inventor: **Shuisheng Ye**, Shenzhen (CN)  
(\*\*) Term: **15 Years**  
(21) Appl. No.: **29/746,625**  
(22) Filed: **Aug. 14, 2020**

D853,053 S \* 7/2019 O'Donnell ..... A01K 15/025  
D30/129  
D867,070 S \* 11/2019 Woods ..... D7/559  
D884,288 S \* 5/2020 O'Donnell ..... D30/129

**FOREIGN PATENT DOCUMENTS**

EM 008067250-0001 \* 8/2020  
EM 008067250-0002 \* 8/2020  
GB 9008067250-0001 \* 8/2020  
GB 9008067250-0002 \* 8/2020

**OTHER PUBLICATIONS**

“Dog Lick Bowl Wobble” available Jan. 16, 2021, [online], [site visited Sep. 22, 2021]. Retrieved from Internet, URL:https://www.amazon.com/Dog-Lick-Bowl-Wobble-Alternative/dp/B08Q49CKQS/ref=sr\_1\_180 (Year: 2021).\*

(Continued)

*Primary Examiner* — W. A. Teddy Falloway  
*Assistant Examiner* — Katrina N Gonzalez  
(74) *Attorney, Agent, or Firm* — Novoclaims Patent Services LLC; Mei Lin Wong

(57) **CLAIM**

The ornamental design for a dog feeding bowl, as shown and described.

**DESCRIPTION**

FIG. 1 is a perspective view of a dog feeding bowl showing my new design;  
FIG. 2 is a bottom perspective view thereof;  
FIG. 3 is a front view thereof;  
FIG. 4 is a rear view thereof;  
FIG. 5 is a left side view thereof;  
FIG. 6 is a right side view thereof;  
FIG. 7 is a top view thereof; and,  
FIG. 8 is a bottom view thereof.

**1 Claim, 8 Drawing Sheets**

(30) **Foreign Application Priority Data**

Jun. 10, 2020 (CN) ..... 202030293473.1

(51) **LOC (13) Cl.** ..... **30-03**

(52) **U.S. Cl.**  
USPC ..... **D30/129**

(58) **Field of Classification Search**  
USPC ..... D30/121, 122, 129–133, 199; 119/51.01, 119/51.02, 51.03, 51.11, 51.15, 51.5, 70, 119/52.1, 52.3, 52.4, 53, 53.5, 54, 57.92, 119/61.1, 61.3, 61.5, 61, 52, 61.53, 61.54, 119/61.55, 68, 72, 73, 74, 75, 78, 174;  
D7/553, 555

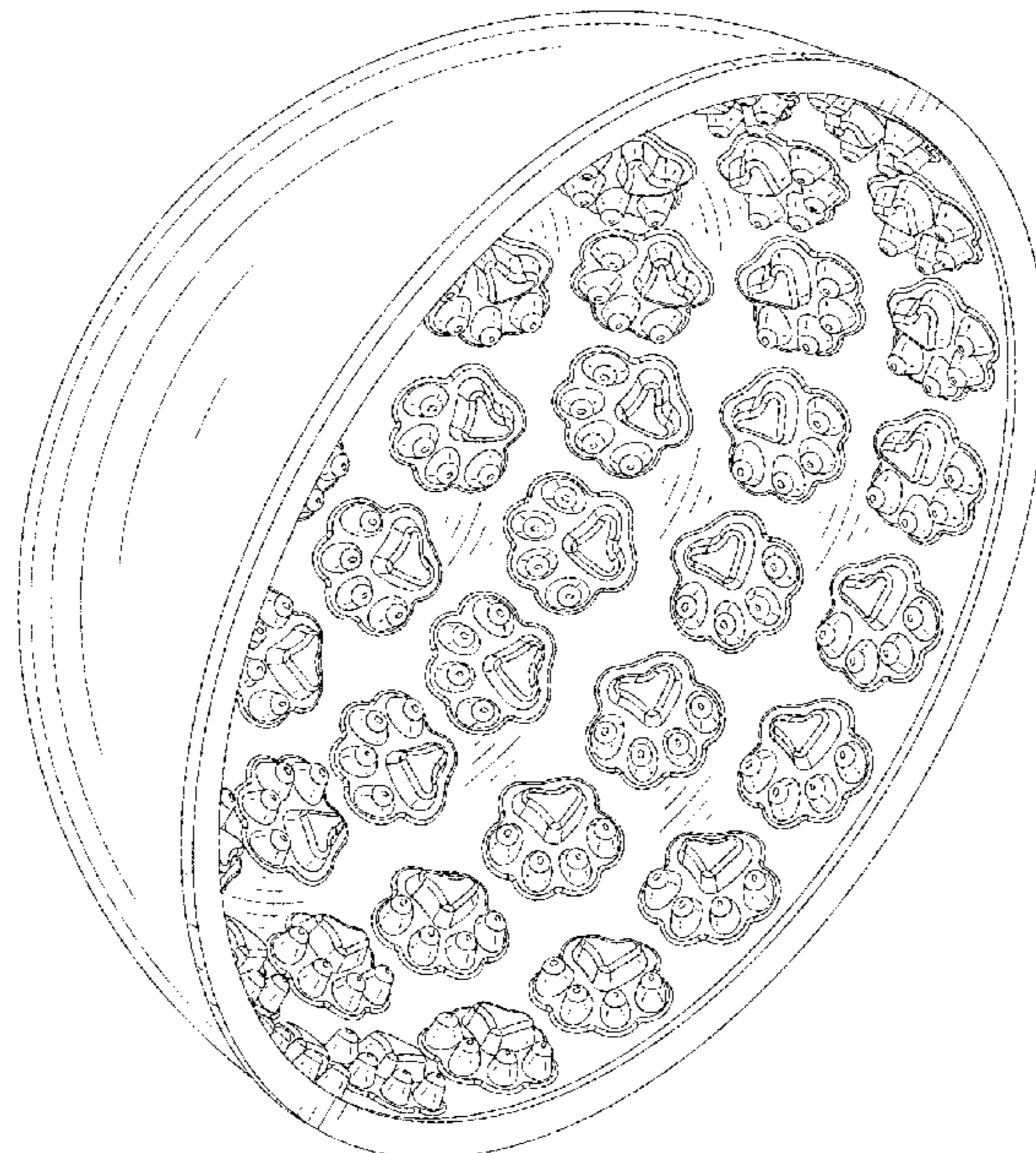
CPC . A01K 5/00; A01K 7/00; A01K 39/02; A01K 39/04; A01K 39/0213; A01K 5/0114; A01K 5/0121; A01K 5/0135; A01K 7/005

See application file for complete search history.

(56) **References Cited**

**U.S. PATENT DOCUMENTS**

D565,356 S \* 4/2008 Mellen ..... D7/376  
D659,913 S \* 5/2012 Spectre ..... D30/130  
D705,500 S \* 5/2014 Gambino ..... D30/129  
D741,024 S \* 10/2015 Liu ..... D30/129  
D745,228 S \* 12/2015 Scaba ..... D30/129  
D825,865 S \* 8/2018 Abbey ..... D30/129  
D836,973 S \* 1/2019 Masifilo ..... D7/392



(56)

**References Cited**

OTHER PUBLICATIONS

“Dog Silicone Bowl” available Jan. 9, 2021, [online], [site visited Sep. 22, 2021]. Retrieved from Internet, URL:[https://www.amazon.com/Dog-Slow-Feeder-Bowls-Anti-gulping/dp/B08SC6SDHF/ref=sr\\_1\\_241](https://www.amazon.com/Dog-Slow-Feeder-Bowls-Anti-gulping/dp/B08SC6SDHF/ref=sr_1_241) (Year: 2021).\*

“LickiMat Wobble” available Dec. 6, 2019, [online], [site visited Sep. 22, 2021]. Retrieved from Internet, URL:[amazon.com/INDUSTRIPET-622146-Lickimat-Wobble-Green/dp/B07RHJWSGX](https://www.amazon.com/INDUSTRIPET-622146-Lickimat-Wobble-Green/dp/B07RHJWSGX) (Year: 2019).\*

\* cited by examiner

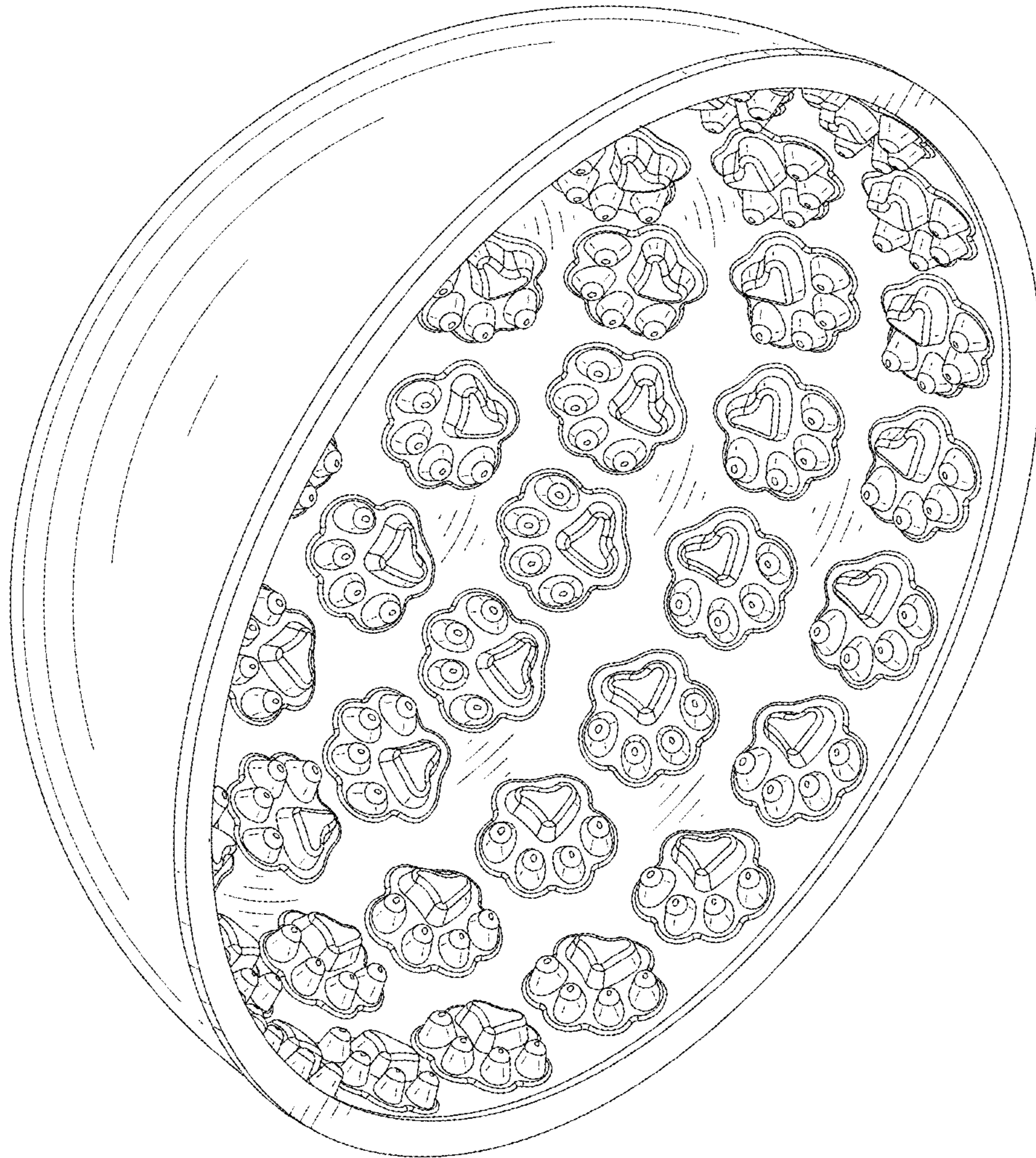


FIG.1

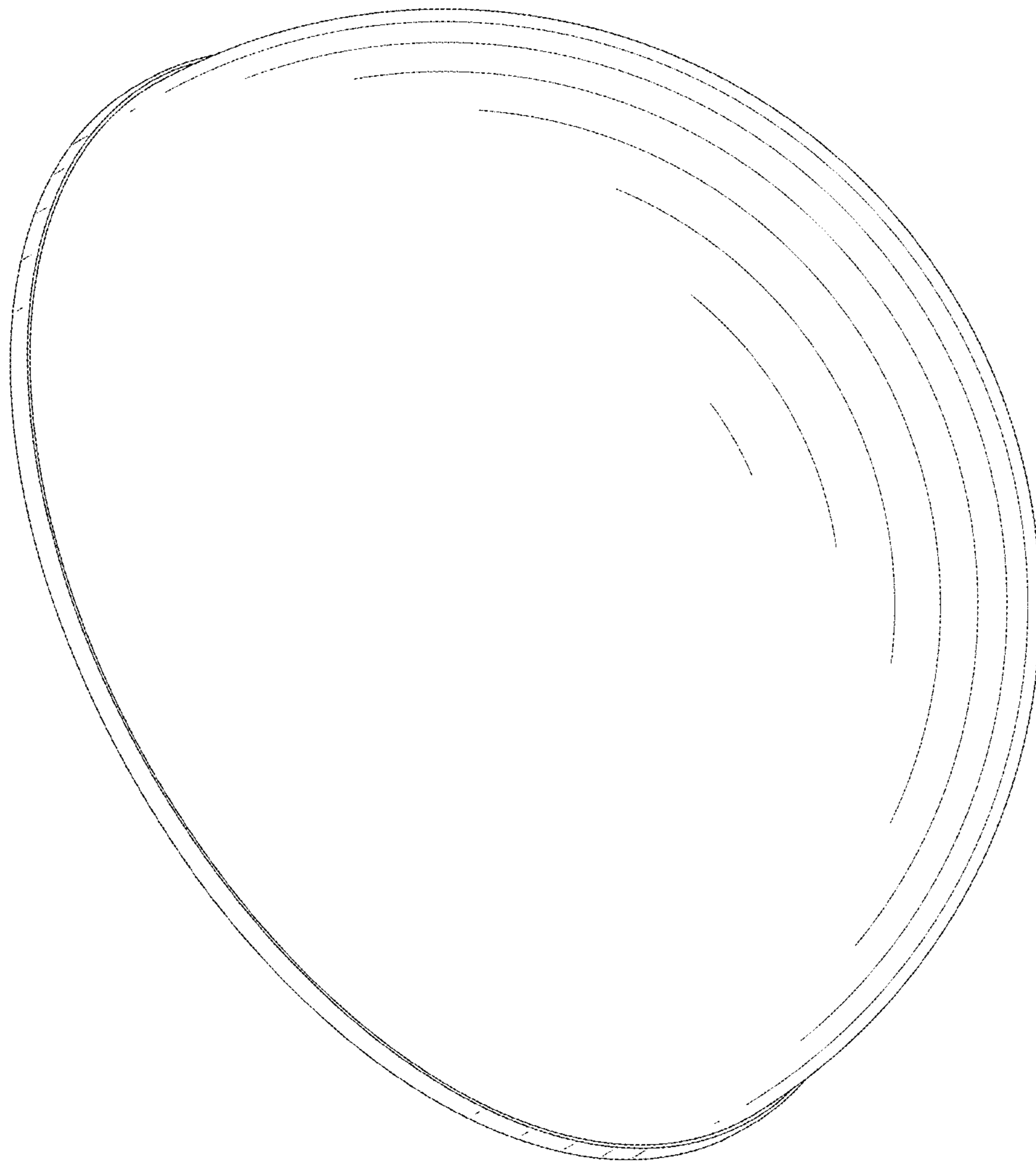


FIG.2

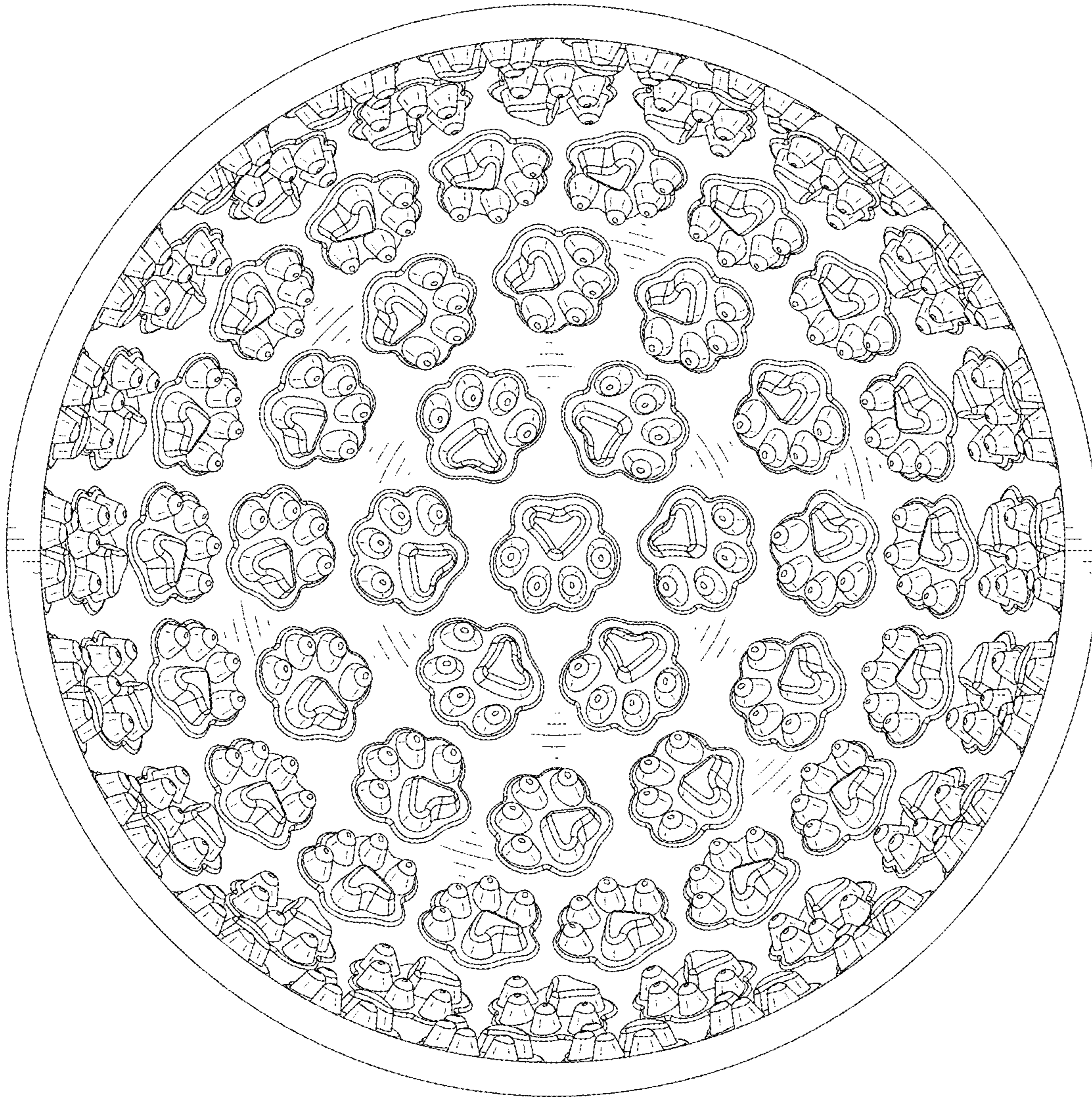


FIG.3

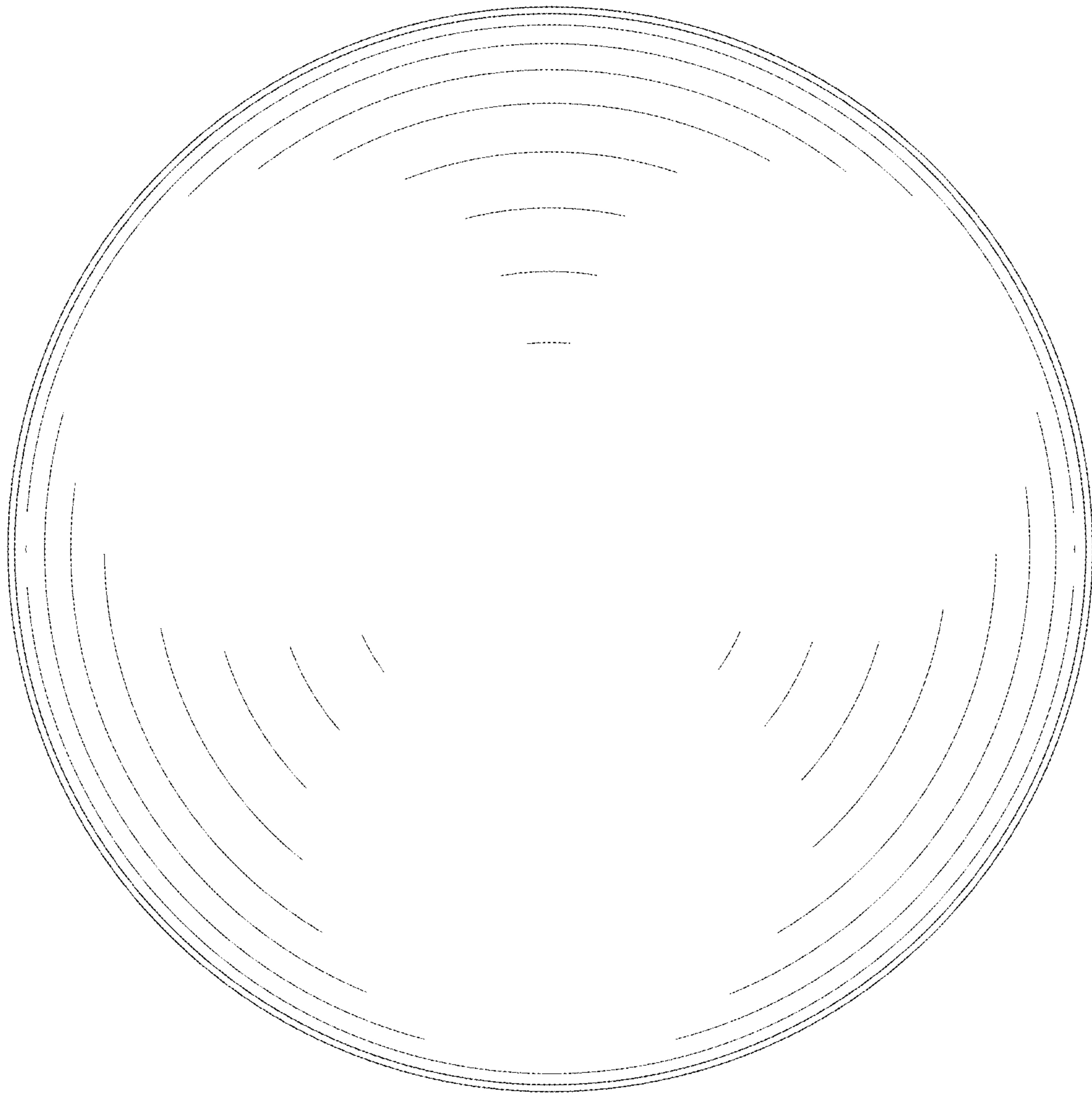


FIG.4

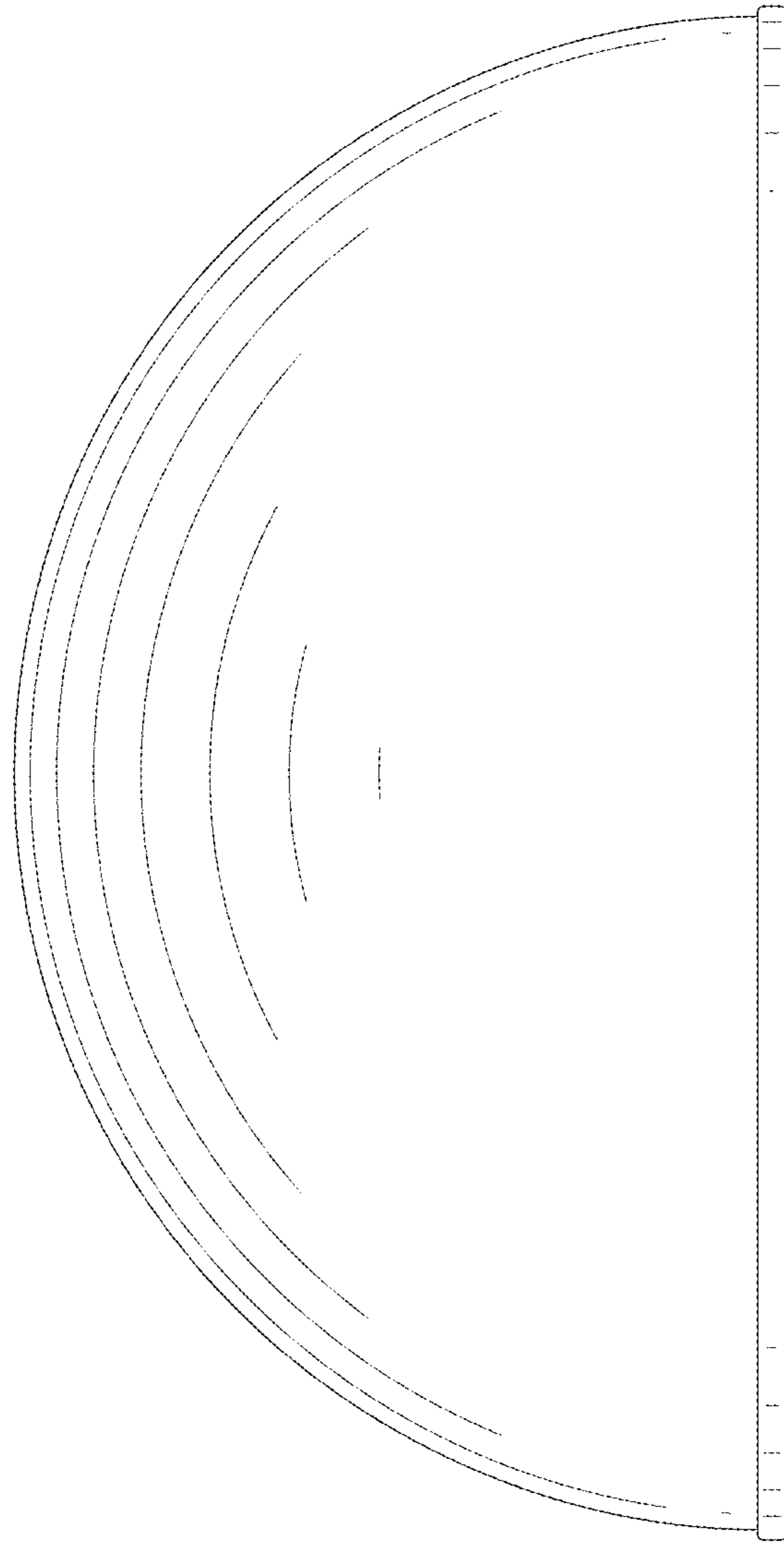


FIG.5

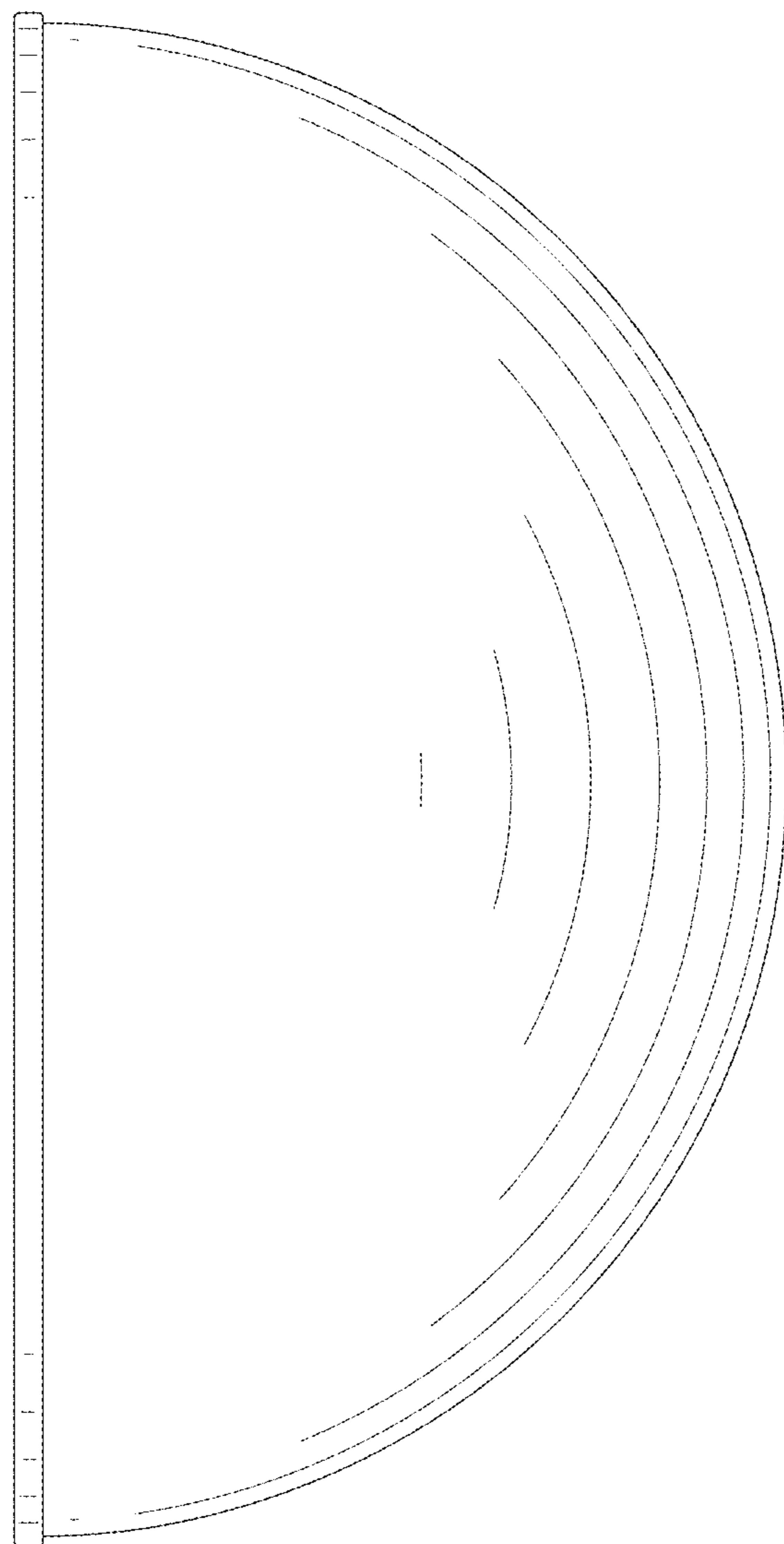


FIG.6



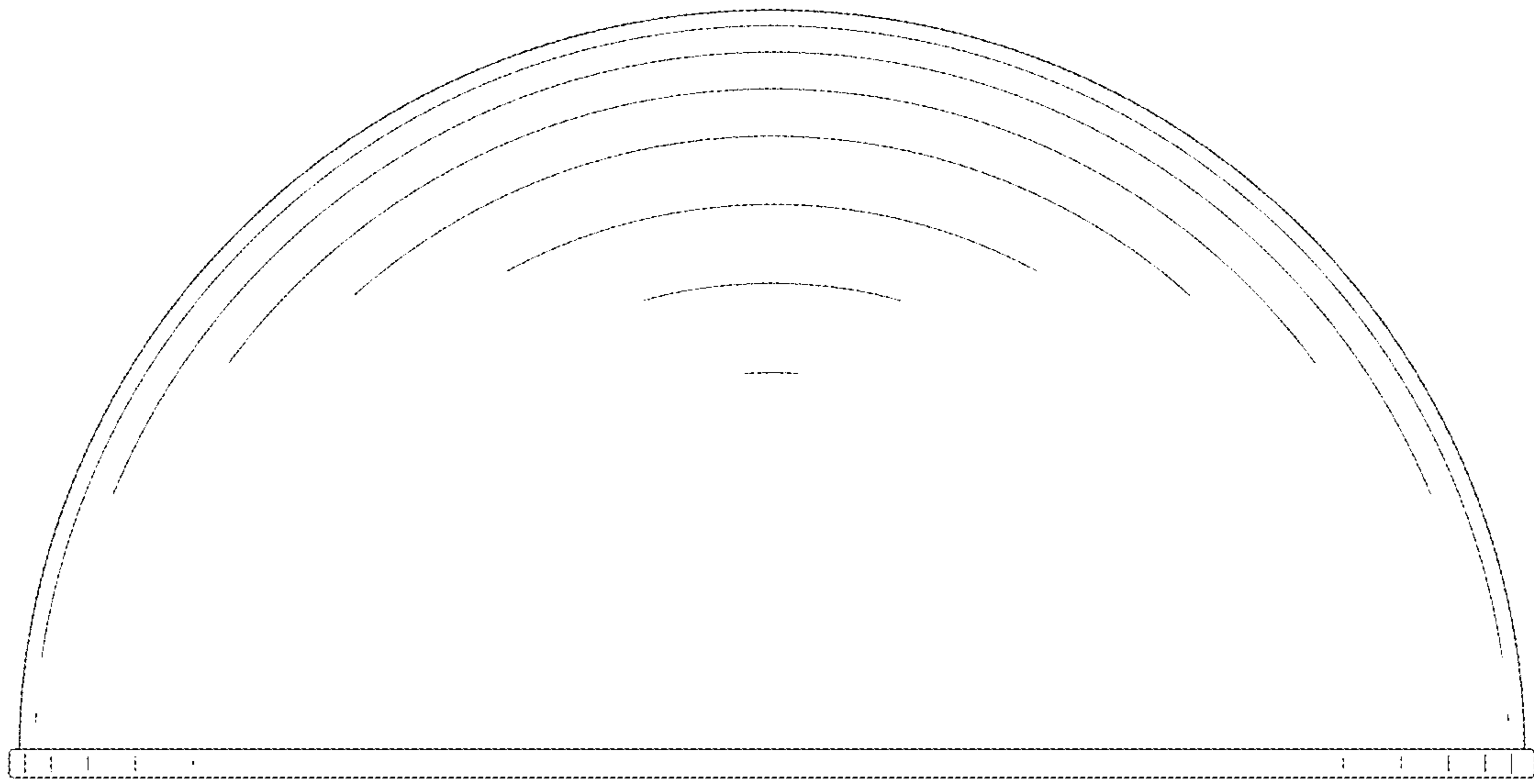


FIG.7

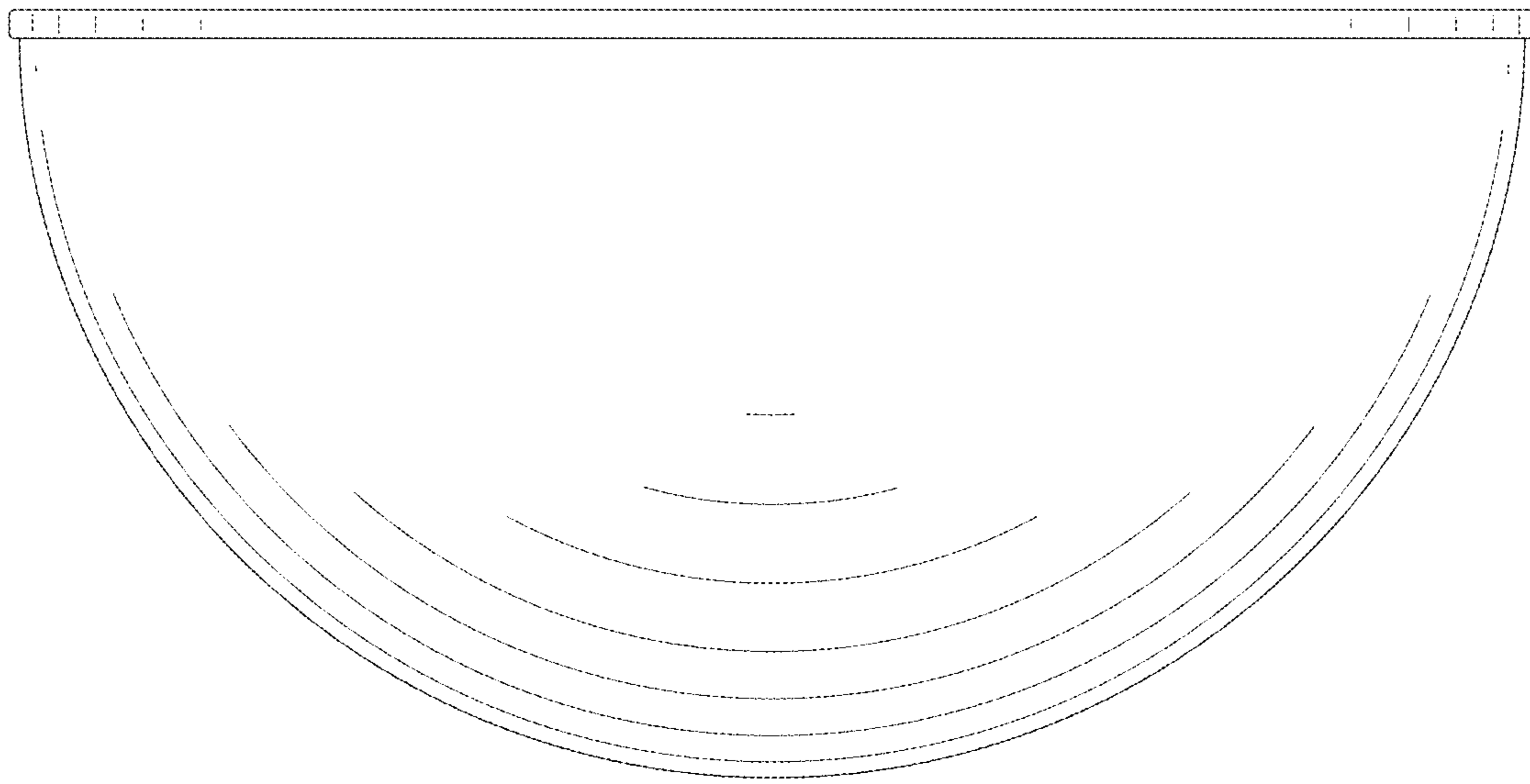


FIG.8