



US00D938652S

(12) **United States Design Patent**
Long

(10) **Patent No.:** **US D938,652 S**

(45) **Date of Patent:** **** Dec. 14, 2021**

(54) **SHAVER**

(71) Applicant: **Shenzhen NearbyExpress Technology Development Company Limited,**
Shenzhen (CN)

(72) Inventor: **Rong Long,** Shenzhen (CN)

(73) Assignee: **Shenzhen NearbyExpress Technology Development Company Limited,**
Shenzhen (CN)

(**) Term: **15 Years**

(21) Appl. No.: **29/752,411**

(22) Filed: **Sep. 27, 2020**

(30) **Foreign Application Priority Data**

Aug. 21, 2020 (CN) 202030483305.9

(51) **LOC (13) Cl.** **28-03**

(52) **U.S. Cl.**
USPC **D28/50**

(58) **Field of Classification Search**
USPC D28/50-54, 85-90
CPC ... B26B 19/3853; B26B 19/14; B26B 19/141;
B26B 19/143; B26B 19/145; B26B
19/146; B26B 19/148
See application file for complete search history.

(56) **References Cited**

U.S. PATENT DOCUMENTS

- 3,392,443 A * 7/1968 Kawano B26B 19/265
30/34.1
- D216,383 S * 12/1969 Fischer D28/50
- D231,809 S * 6/1974 Fujishima D28/50
- D283,059 S * 3/1986 Satoh D28/50
- D305,806 S * 1/1990 Fujisawa D28/50
- D307,491 S * 4/1990 Okada D28/50
- D319,711 S * 9/1991 Fujisawa D28/50

- D585,601 S * 1/2009 Althoff D28/76
- D674,144 S * 1/2013 Yamamoto D28/51
- D674,558 S * 1/2013 Ino D28/53
- D757,363 S * 5/2016 Sugiyama D28/53
- D841,246 S * 2/2019 Stowers D28/50
- D841,247 S * 2/2019 Stowers D28/50
- D841,887 S * 2/2019 Stowers D28/50
- 10,300,619 B2 * 5/2019 Khubani B26B 19/3833

(Continued)

OTHER PUBLICATIONS

Facial Hair Removal by Naturalife, www.amazon.com, reviewed as early as Jan. 2021, 1 page (Year: 2021).*

Primary Examiner — Jennifer Rivard

(74) *Attorney, Agent, or Firm* — ScienBiziP, P.C.

(57) **CLAIM**

The ornamental design for a shaver, as shown and described.

DESCRIPTION

FIG. 1 is a front perspective view of a shaver showing my design.

FIG. 2 is a rear perspective view of the shaver.

FIG. 3 is a front elevation view thereof.

FIG. 4 is a rear elevation view thereof.

FIG. 5 is a left side elevation view thereof.

FIG. 6 is a right side elevation view thereof.

FIG. 7 is a top plan view thereof.

FIG. 8 is a bottom plan view thereof.

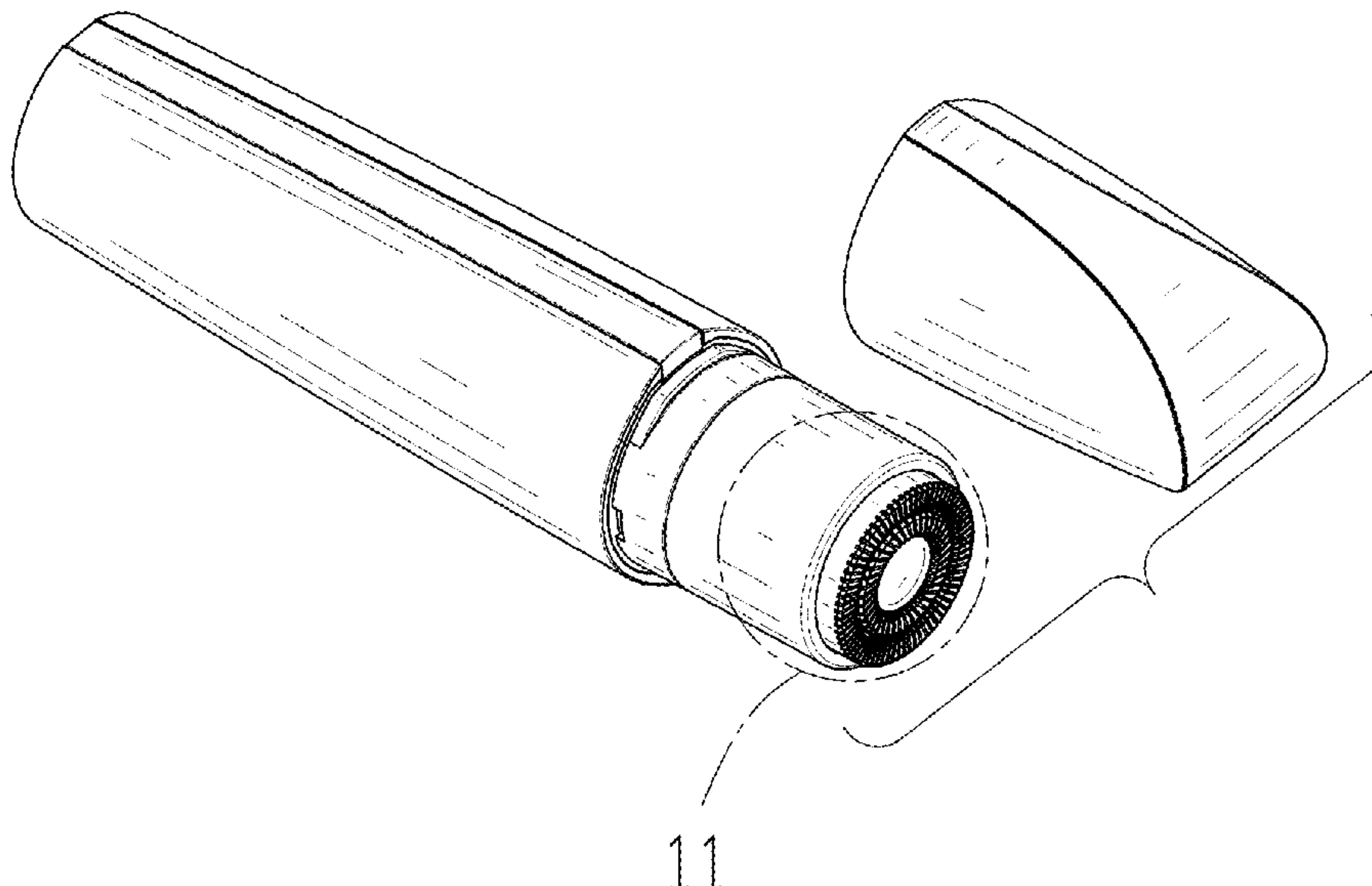
FIG. 9 is a front perspective view of the shaver wherein a main body and a cap of the shaver are taken apart.

FIG. 10 is a rear perspective view of the shaver wherein the main body and the cap of the shaver are taken apart; and,

FIG. 11 is an enlarged view of a portion of the main body of the shaver labeled 11 in FIG. 9.

The broken lines in the drawings are employed to show unclaimed portions of the shaver, and form no part of the claimed design.

1 Claim, 11 Drawing Sheets



(56)

References Cited

U.S. PATENT DOCUMENTS

D857,296 S * 8/2019 Khubani D28/51
D865,291 S * 10/2019 Xiong D28/50
D882,874 S * 4/2020 Peng D28/51
D898,286 S * 10/2020 Khubani D28/51
D907,852 S * 1/2021 Lombardo D28/50
D911,610 S * 2/2021 Zhang D28/50
2020/0254638 A1 * 8/2020 Khubani B26B 19/3826

* cited by examiner

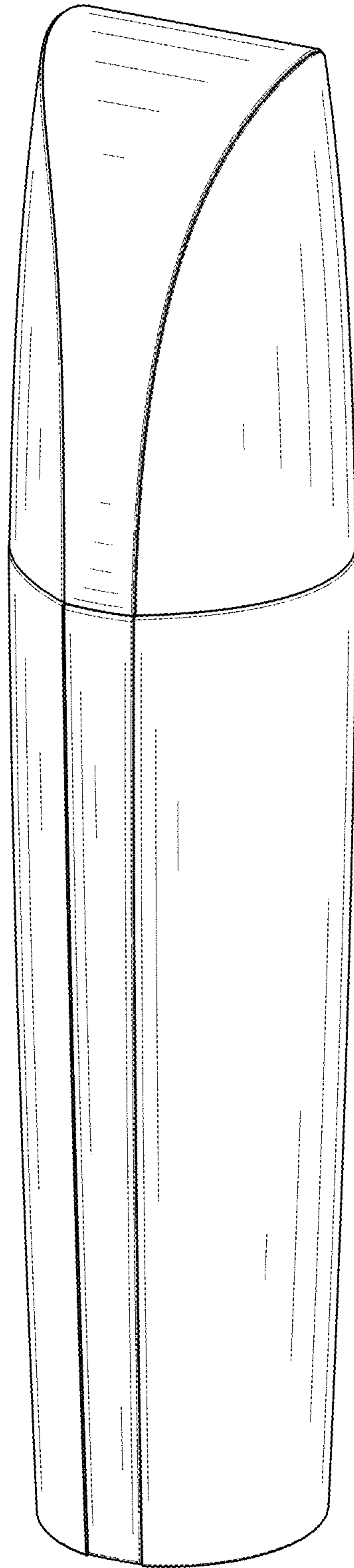


FIG. 1

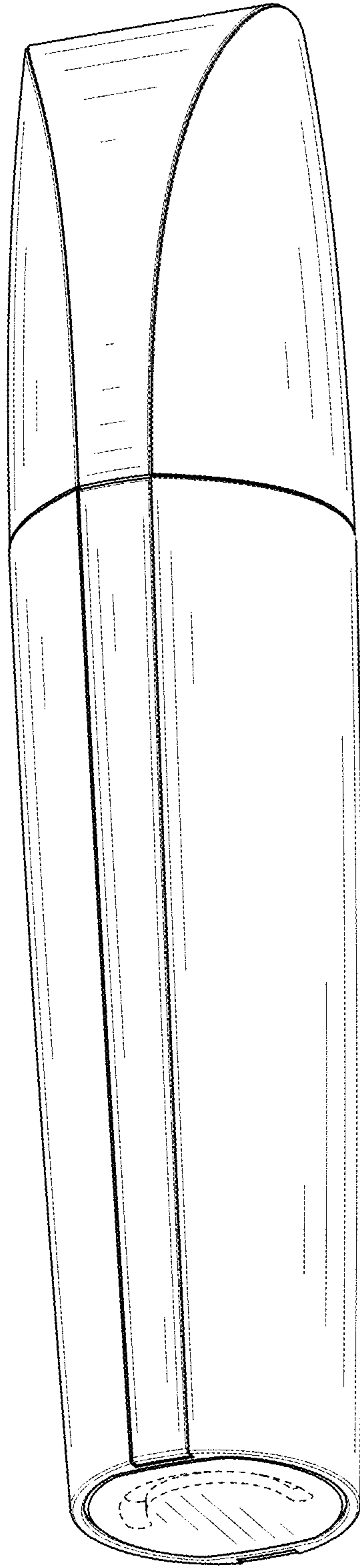


FIG. 2

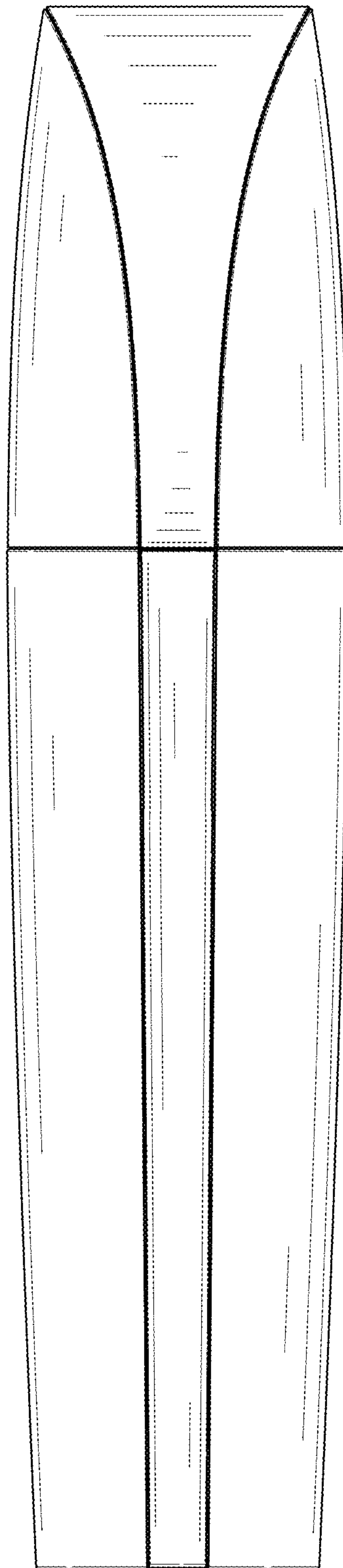


FIG. 3

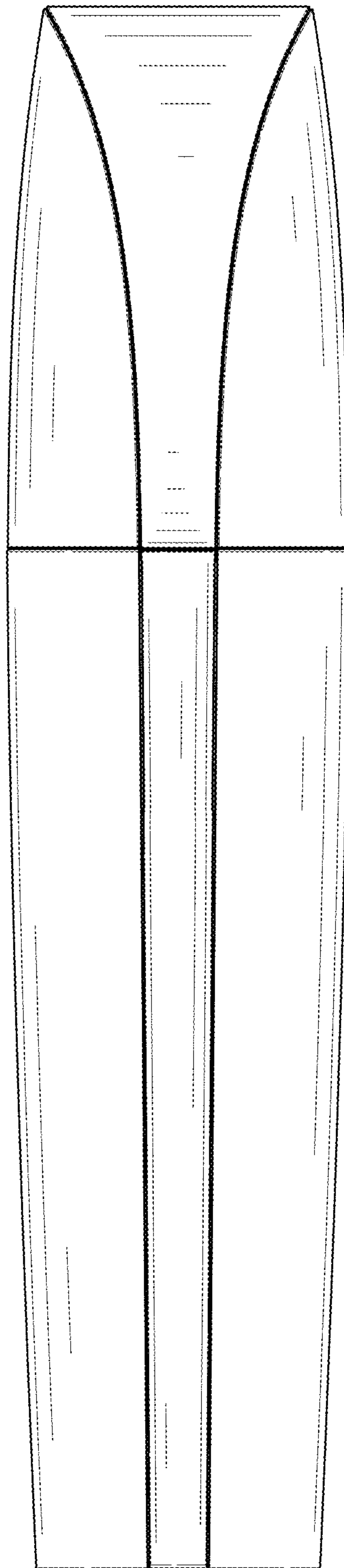


FIG. 4

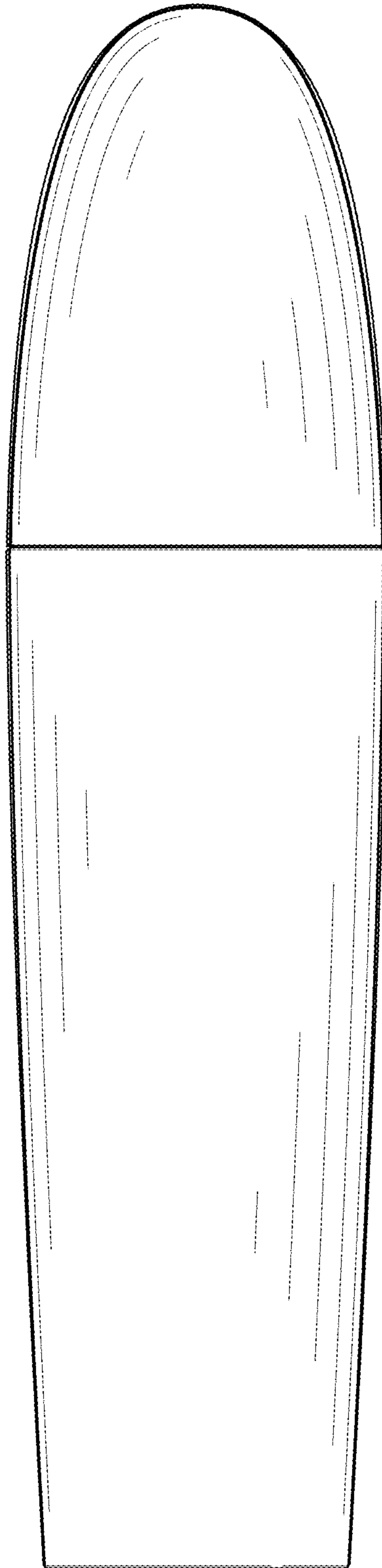


FIG. 5

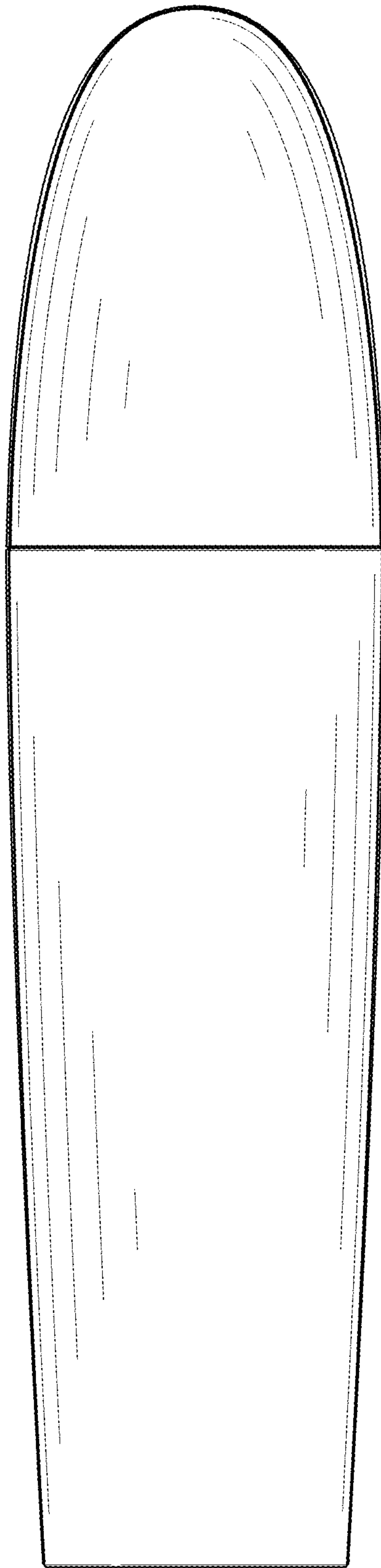


FIG. 6

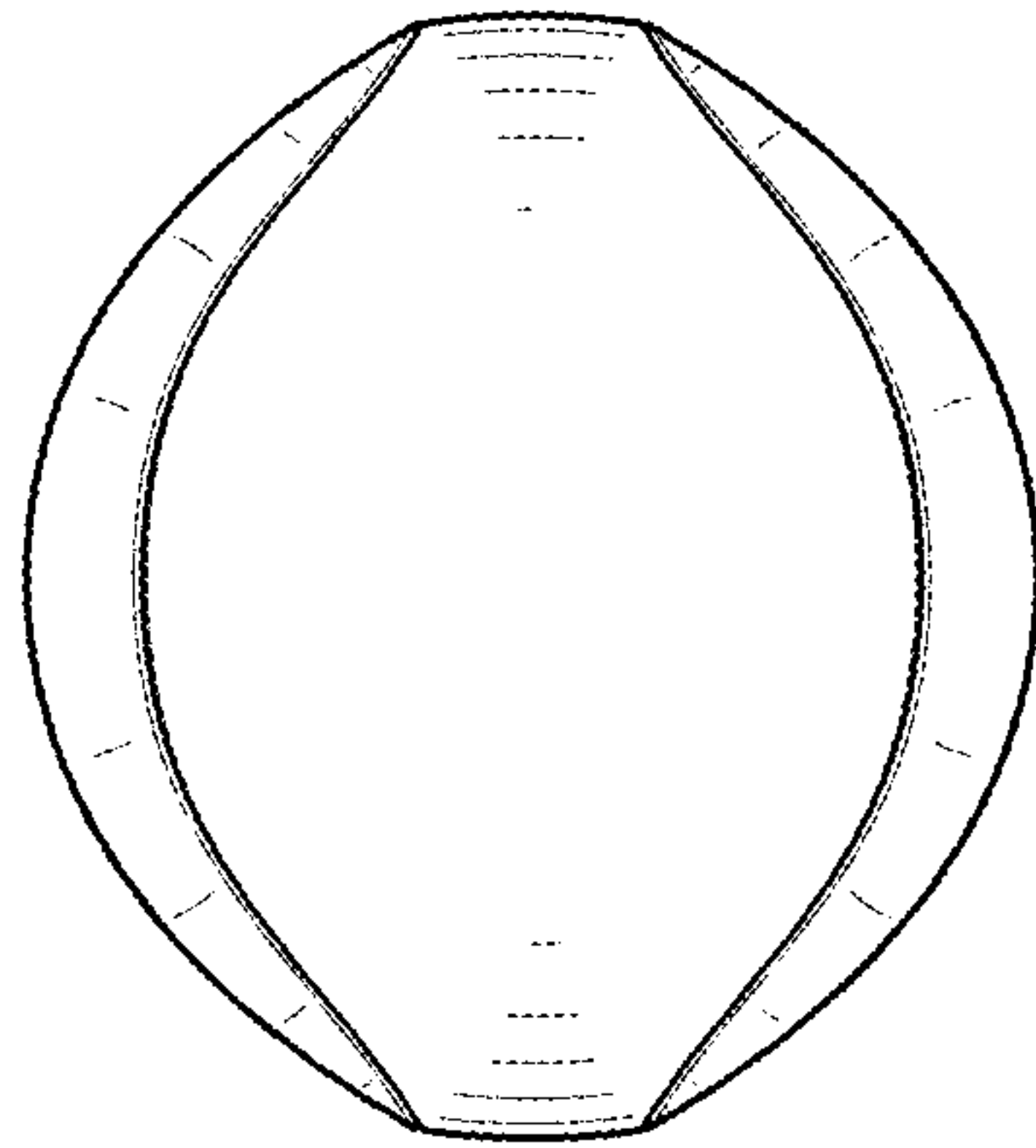


FIG. 7

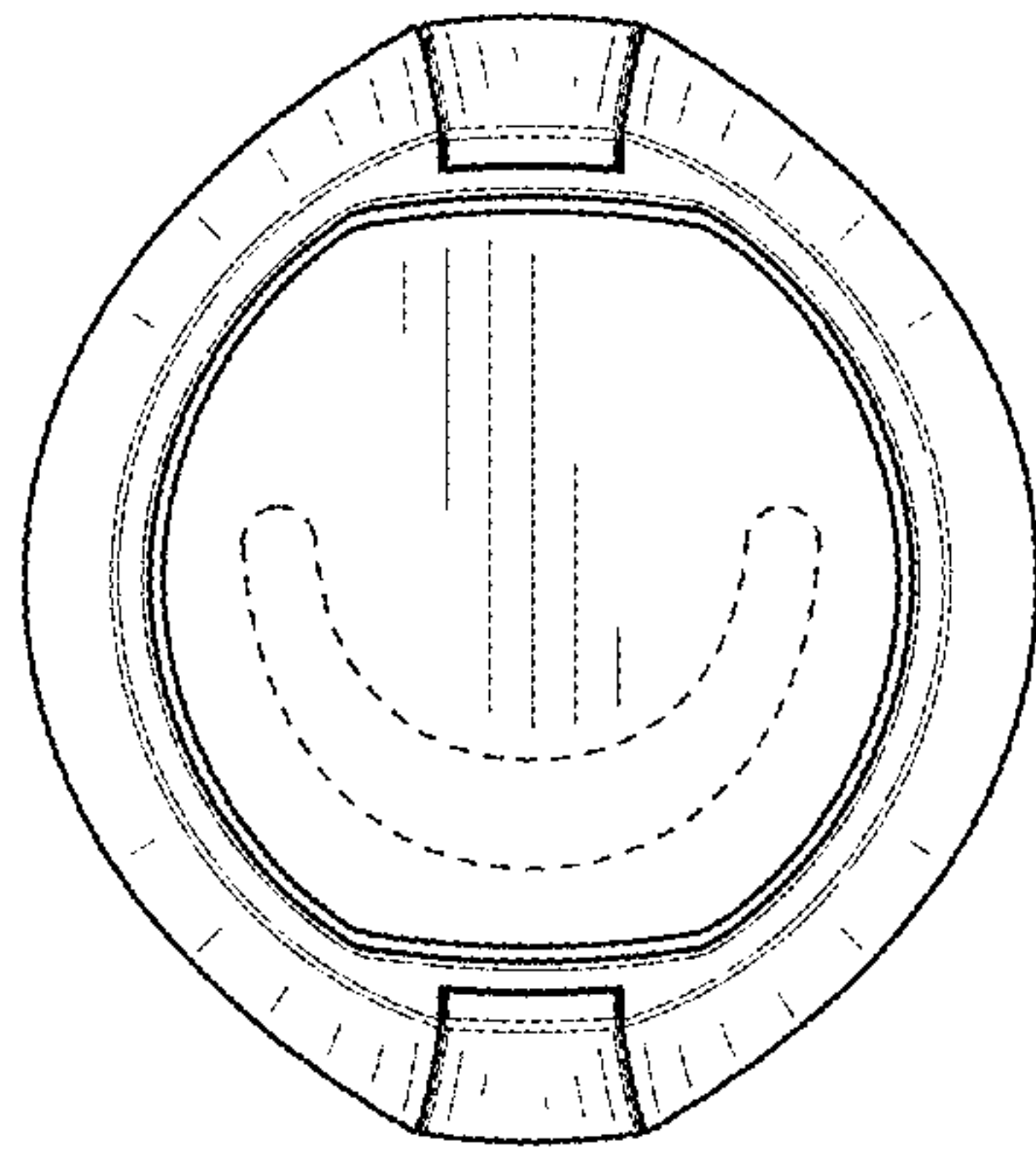


FIG. 8

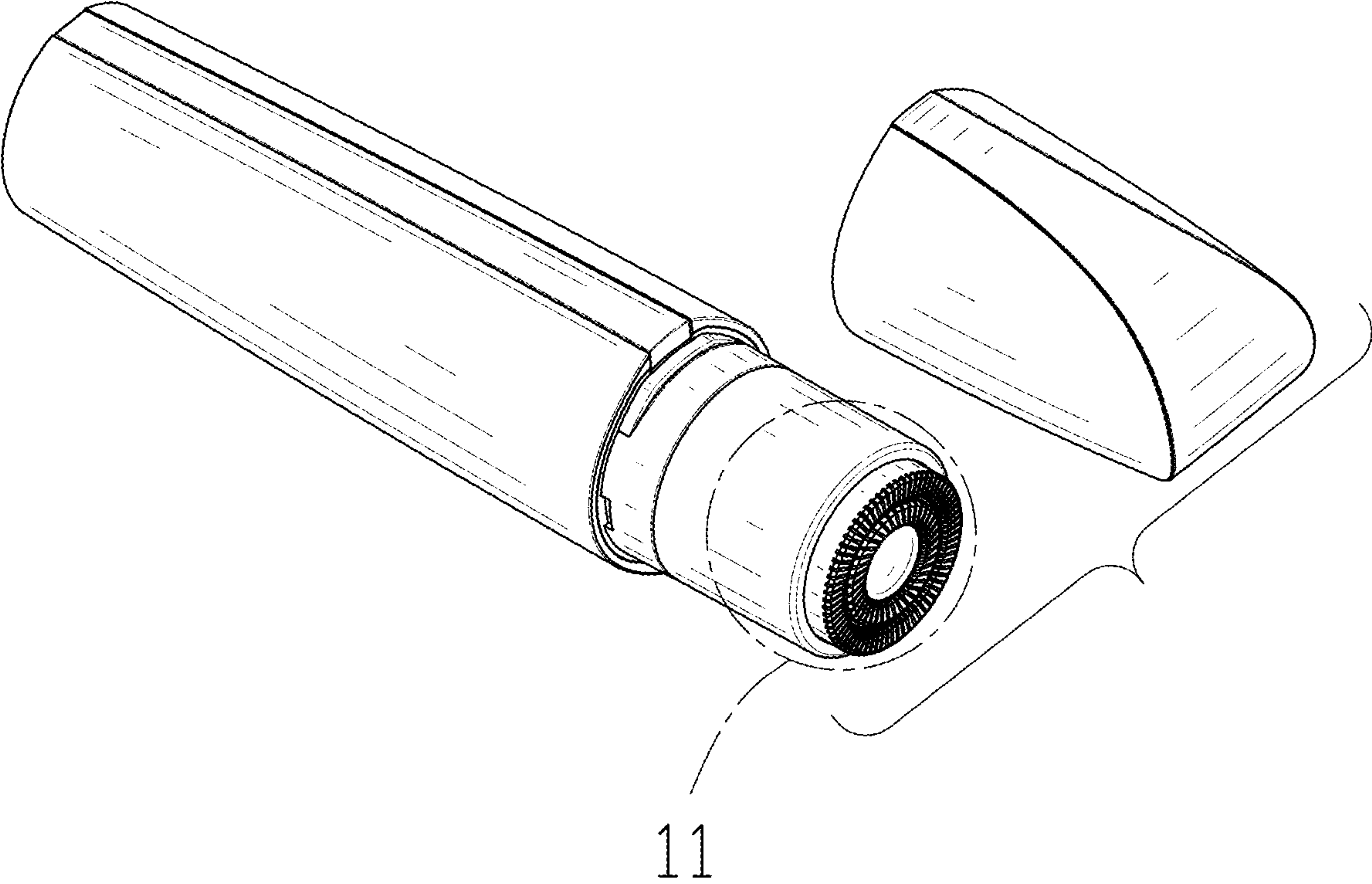


FIG. 9

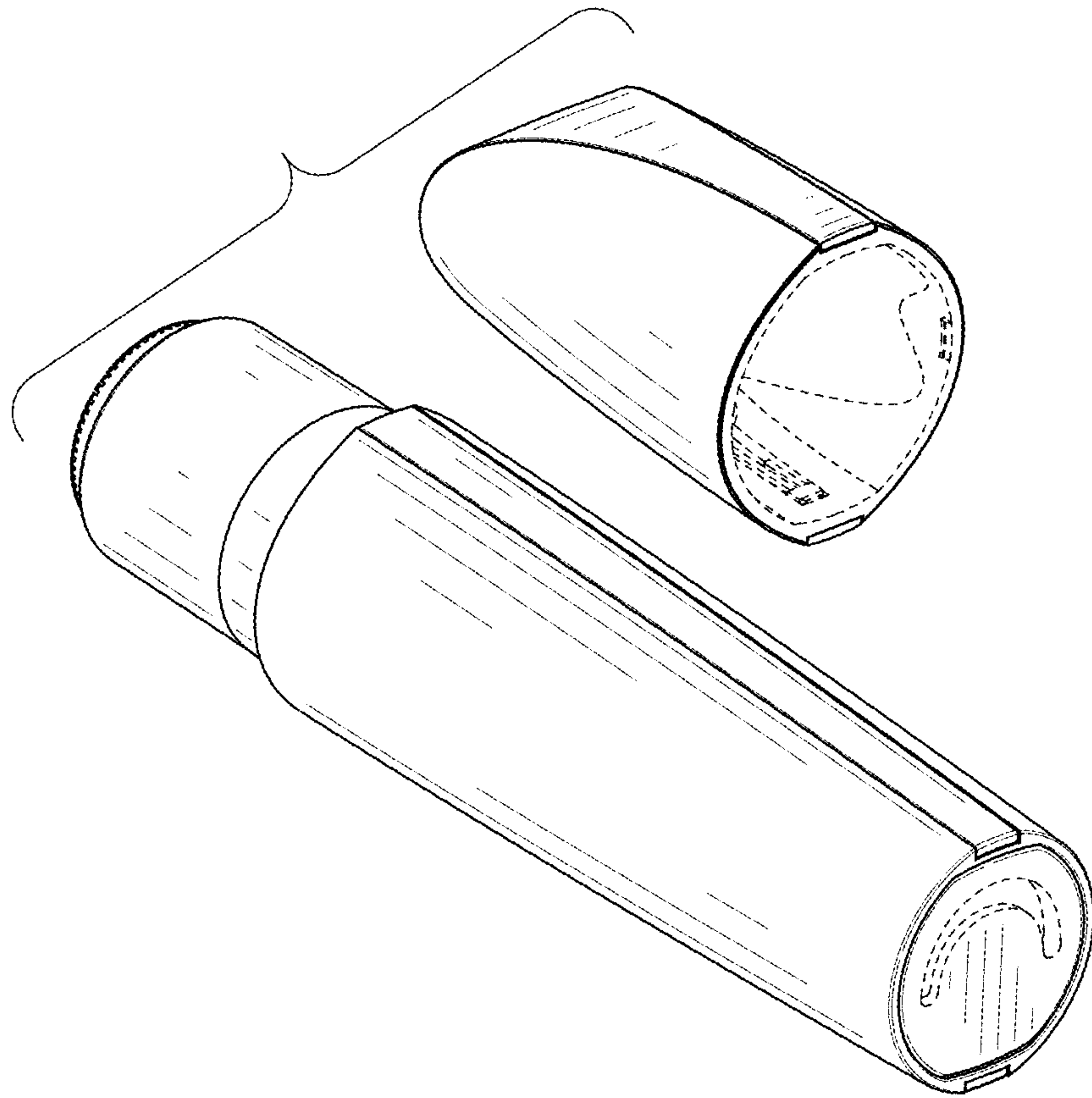


FIG. 10

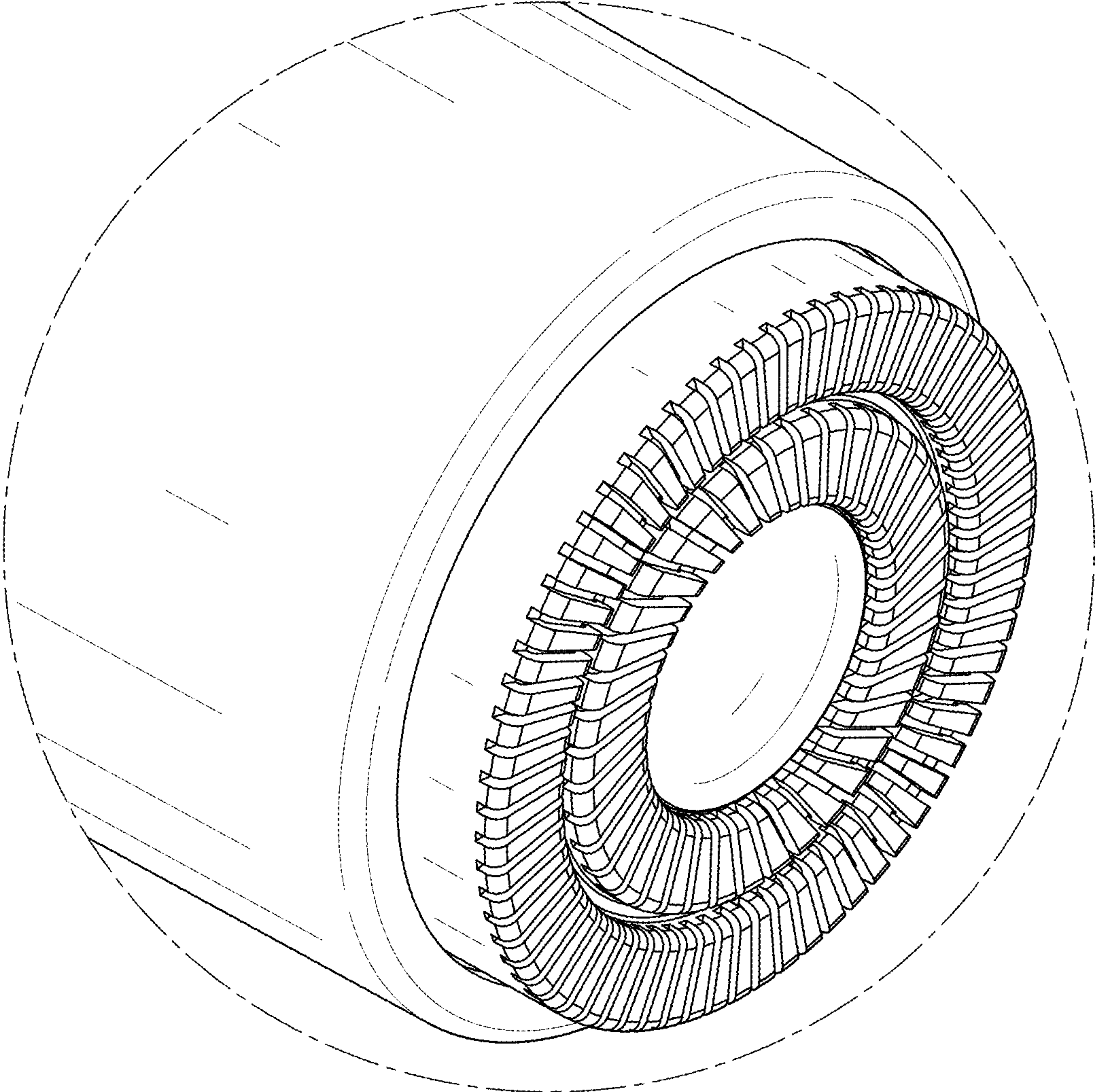


FIG. 11