

US00D938651S

(12) **United States Design Patent** (10) **Patent No.:** **US D938,651 S**
Meng et al. (45) **Date of Patent:** **** Dec. 14, 2021**

(54) **FACIAL HAIR CLIPPER**

(74) *Attorney, Agent, or Firm* — Cantor Colburn LLP

(71) Applicant: **SHENZHEN SOOCAS TECHNOLOGY CO., LTD.**, Shenzhen (CN)

(57) **CLAIM**

The ornamental design for a facial hair clipper, as shown and described.

(72) Inventors: **Fandi Meng**, Shenzhen (CN); **Guanglu Feng**, Shenzhen (CN)

DESCRIPTION

(73) Assignee: **SHENZHEN SOOCAS TECHNOLOGY CO., LTD.**, Shenzhen (CN)

FIG. 1 is an assembled perspective view of a facial hair clipper;
FIG. 2 is a front view thereof;
FIG. 3 is a rear view thereof;
FIG. 4 is a left side view thereof;
FIG. 5 is a right side view thereof;
FIG. 6 is a top view thereof; and
FIG. 7 is a bottom view thereof;
FIG. 8 is perspective view of a base of the facial hair clipper;
FIG. 9 is a front view thereof;
FIG. 10 is a rear view thereof;
FIG. 11 is a left side view thereof;
FIG. 12 is a right side view thereof;
FIG. 13 is a top view thereof; and
FIG. 14 is a bottom view thereof;
FIG. 15 is a perspective view of a head of the facial hair clipper;
FIG. 16 is a front view thereof;
FIG. 17 is a rear view thereof;
FIG. 18 is a left side view thereof;
FIG. 19 is a right side view thereof;
FIG. 20 is a top view thereof; and
FIG. 21 is a bottom view thereof;
FIG. 22 is a partial enlarged view taken from FIG. 8;
FIG. 23 is a partial enlarged view taken from FIG. 9;
FIG. 24 is a partial enlarged view taken from FIG. 10;
FIG. 25 is a partial enlarged view taken from FIG. 11;
FIG. 26 is a partial enlarged view taken from FIG. 13; and
FIG. 27 is a partial enlarged view taken from FIG. 15.
The broken lines in the figures depict portions of the facial hair clipper that form no part of the claimed design. The base and head of the facial hair clipper are shown separately for convenience of illustration.

(**) Term: **15 Years**

(21) Appl. No.: **29/721,908**

(22) Filed: **Jan. 24, 2020**

(30) **Foreign Application Priority Data**

Jul. 30, 2019 (CN) 201930409163.9

(51) **LOC (13) Cl.** **28-03**

(52) **U.S. Cl.**
USPC **D28/50**

(58) **Field of Classification Search**
USPC D28/50

(Continued)

(56) **References Cited**

U.S. PATENT DOCUMENTS

D546,001 S * 7/2007 McLachlan D28/50
9,174,350 B2 * 11/2015 Park B26B 19/145

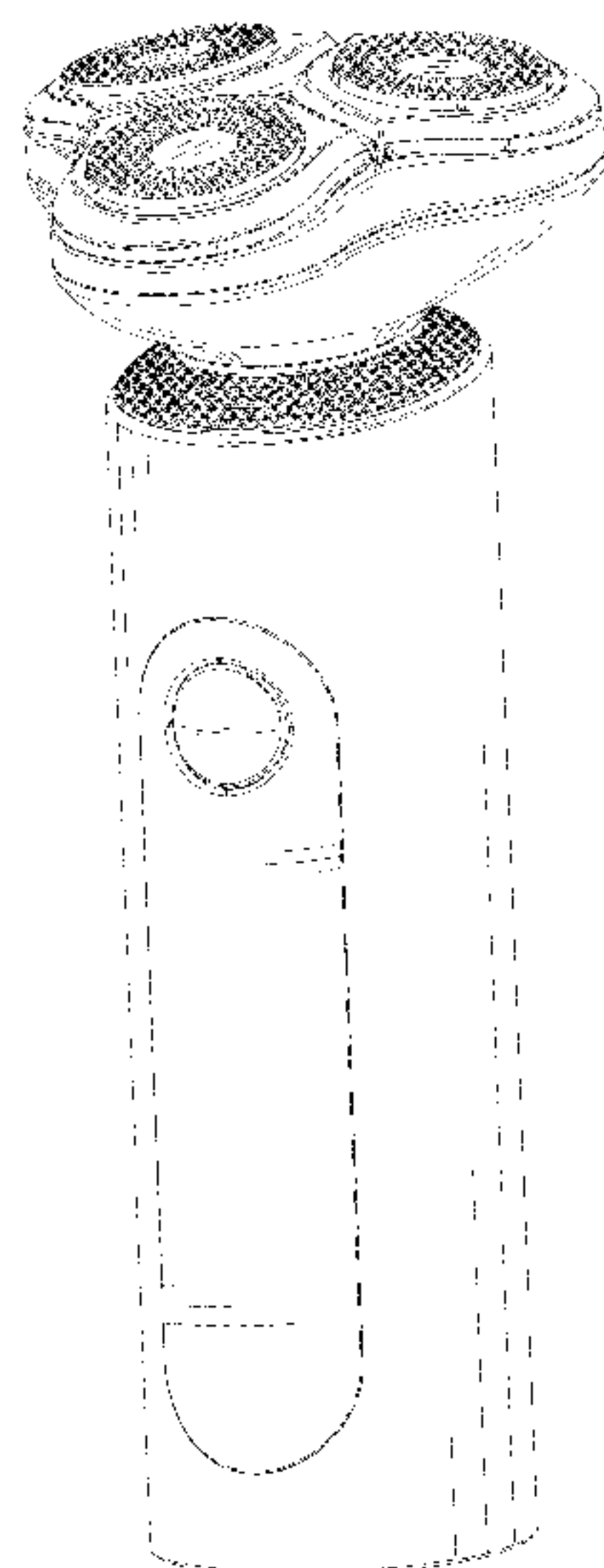
(Continued)

OTHER PUBLICATIONS

Electric Razor Shaver for men UICINOY, www.amazon.com, 1 page, reviewed as early as Jun. 2020 (Year: 2020).*

Primary Examiner — Jennifer Rivard

1 Claim, 27 Drawing Sheets



(58) **Field of Classification Search**

CPC B26B 19/3853–13866; B26B 19/14–18
See application file for complete search history.

(56) **References Cited**

U.S. PATENT DOCUMENTS

D808,077 S *	1/2018	Boulanger	D28/50
D824,104 S *	7/2018	Boulanger	D28/51
D858,881 S *	9/2019	Lu	D28/50
D861,986 S *	10/2019	Wang	D28/50

* cited by examiner

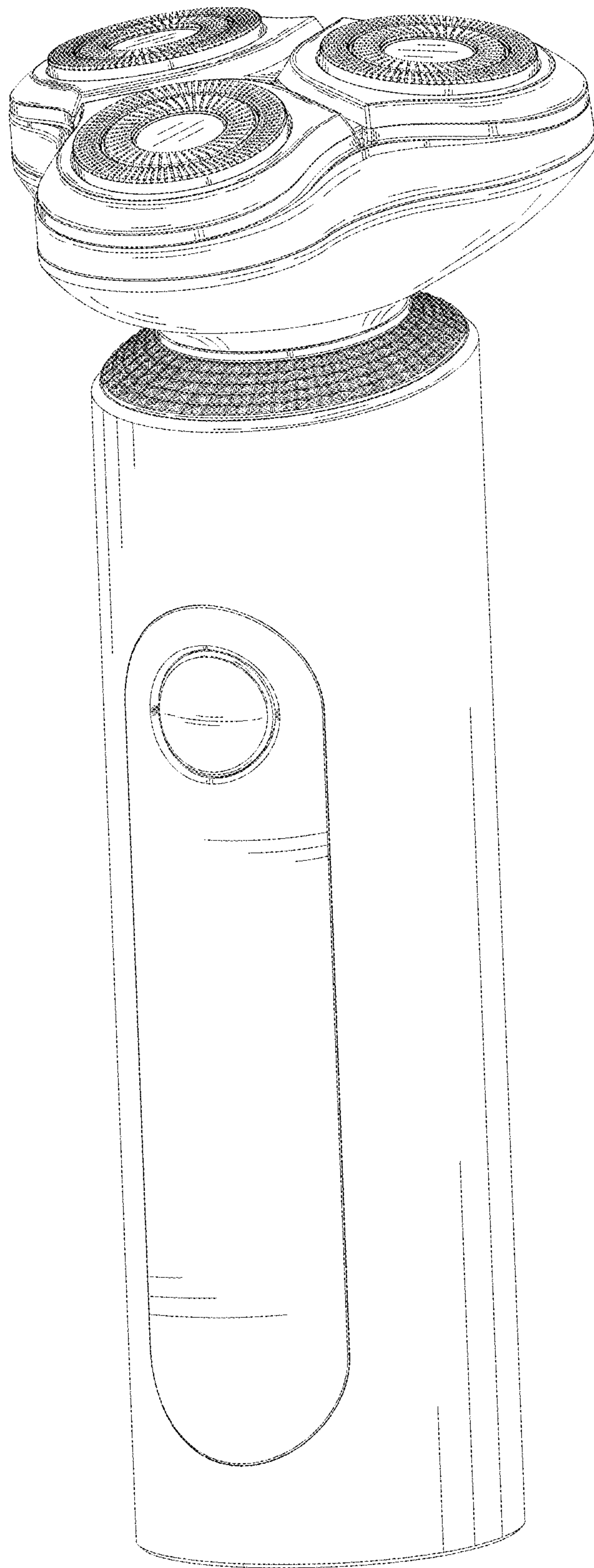


FIG. 1

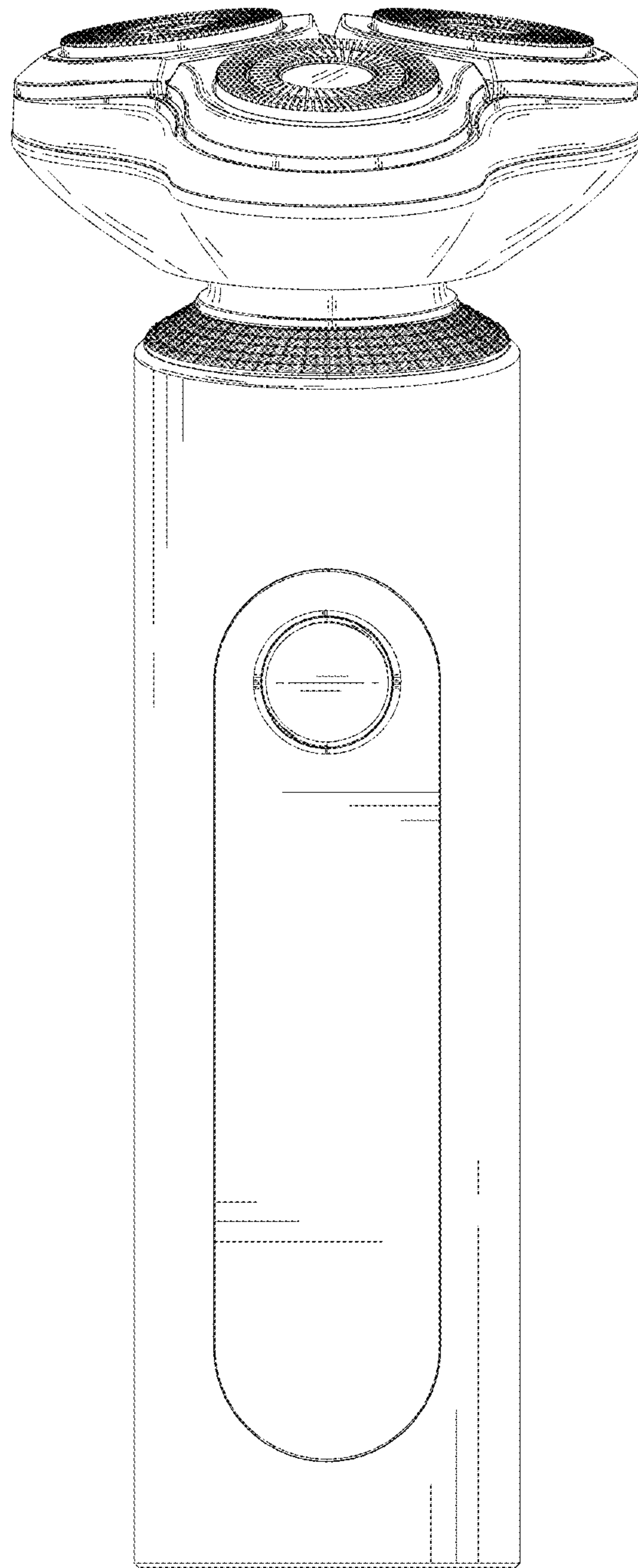


FIG. 2

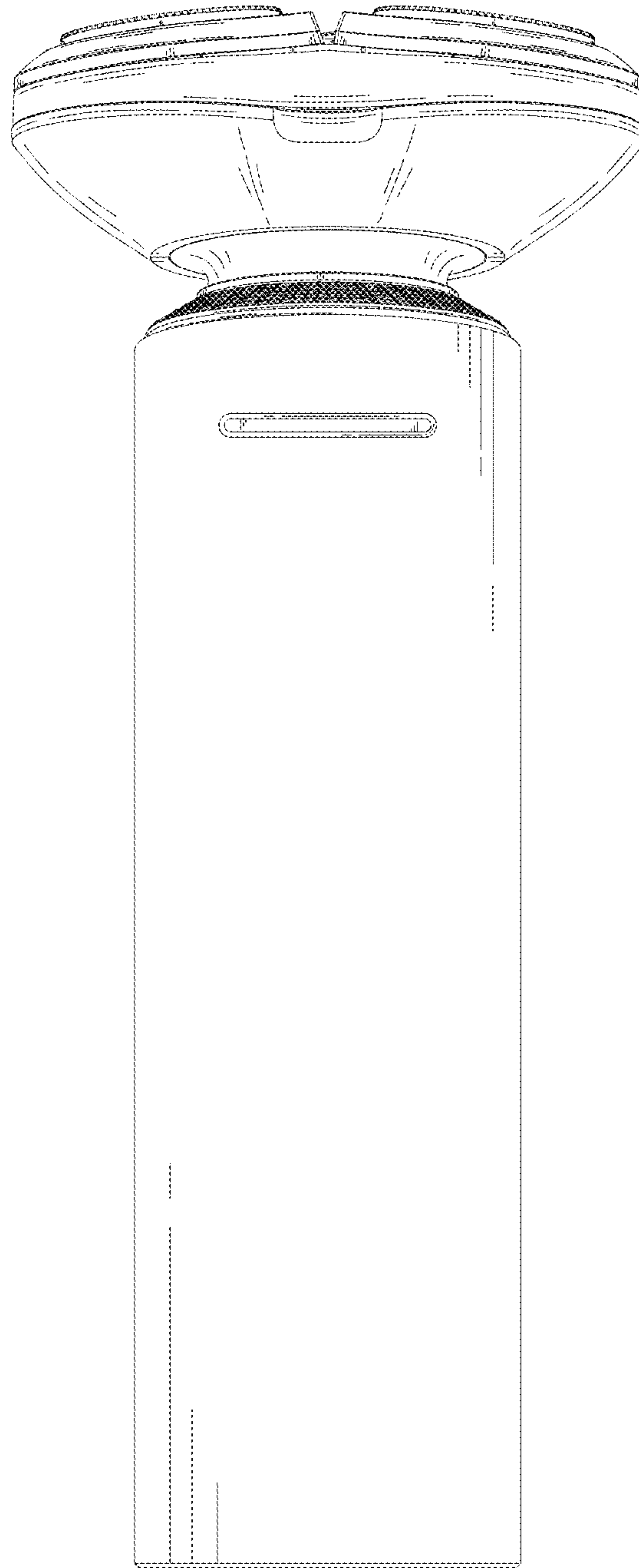


FIG. 3

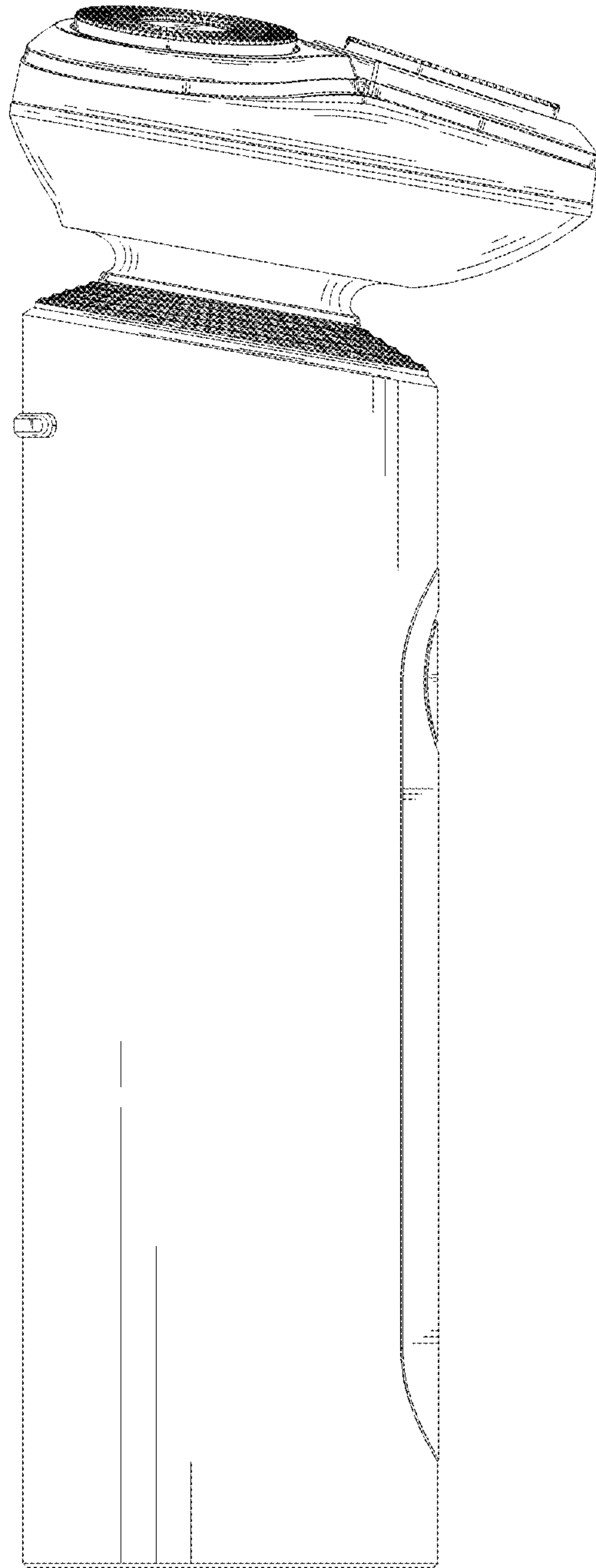


FIG. 4

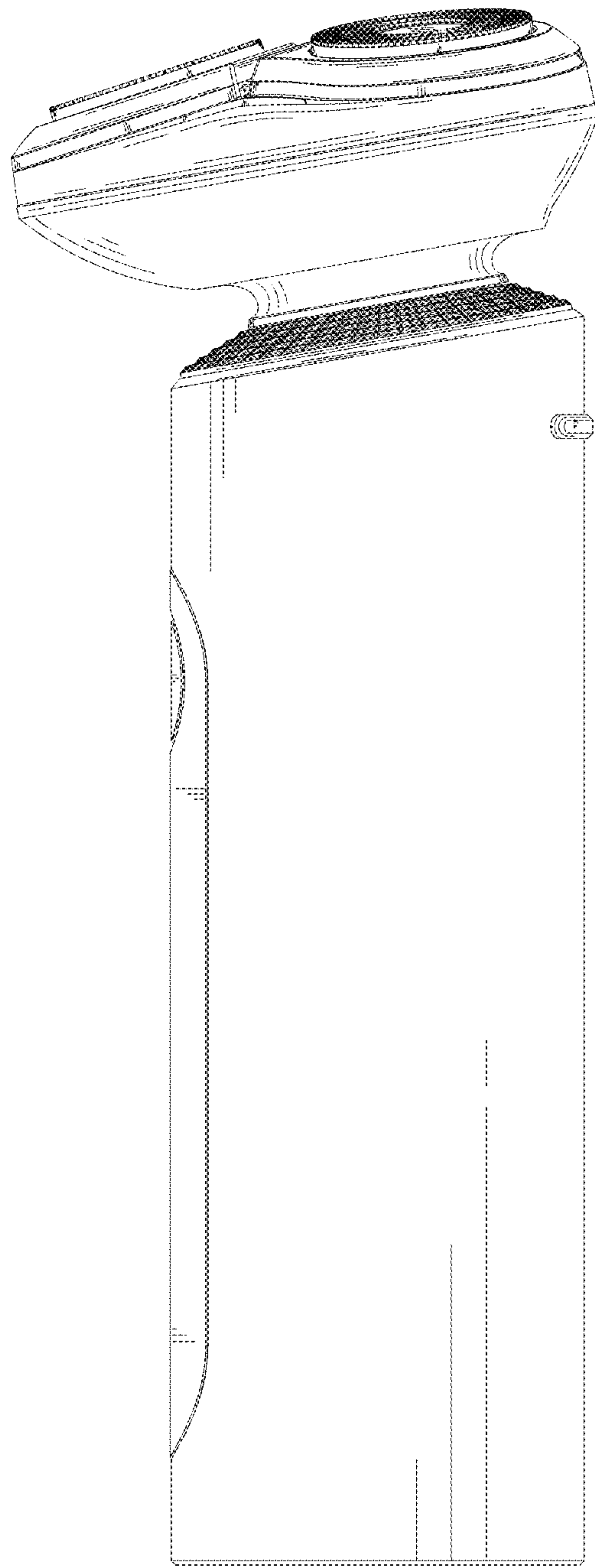


FIG. 5

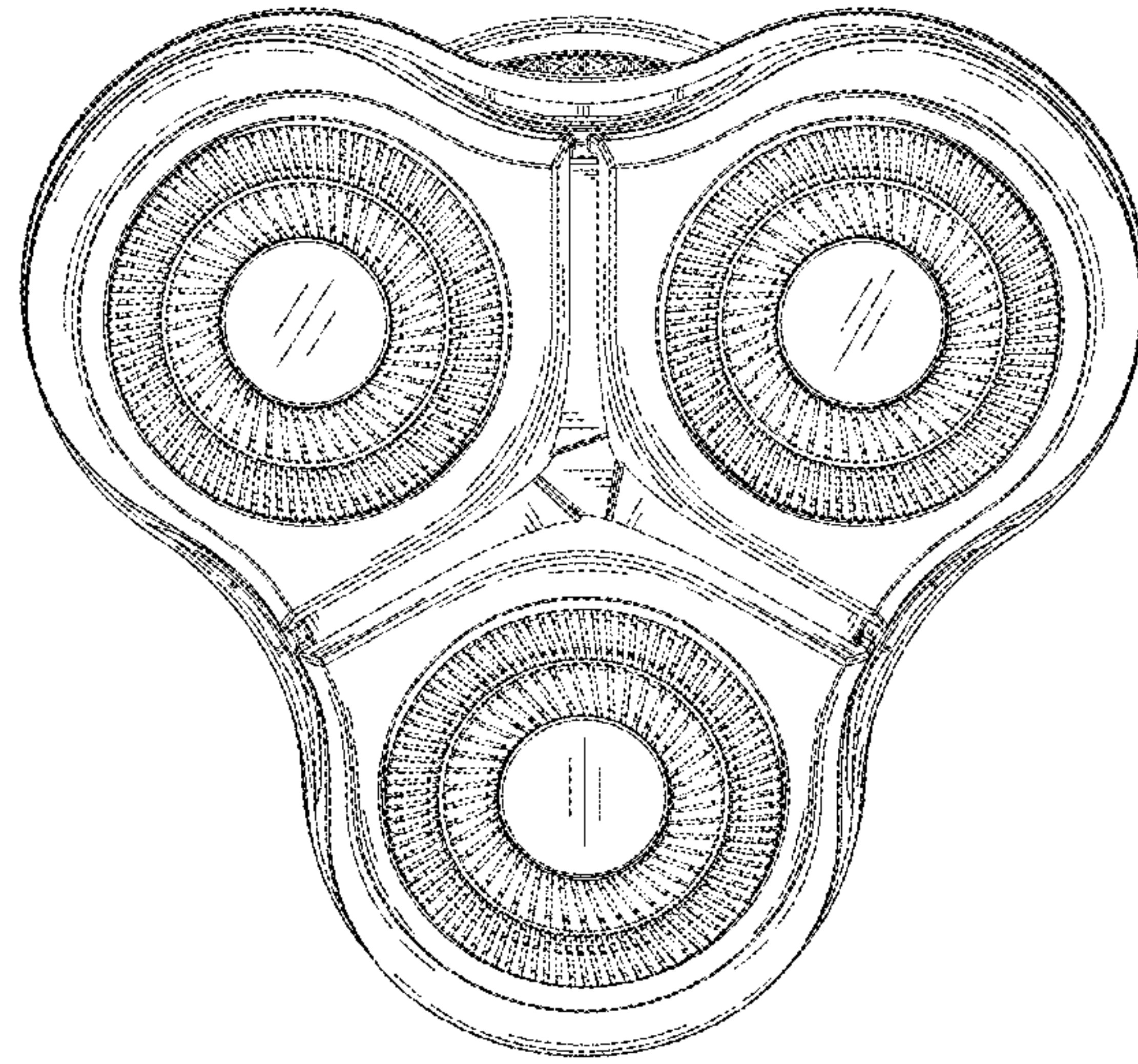


FIG. 6

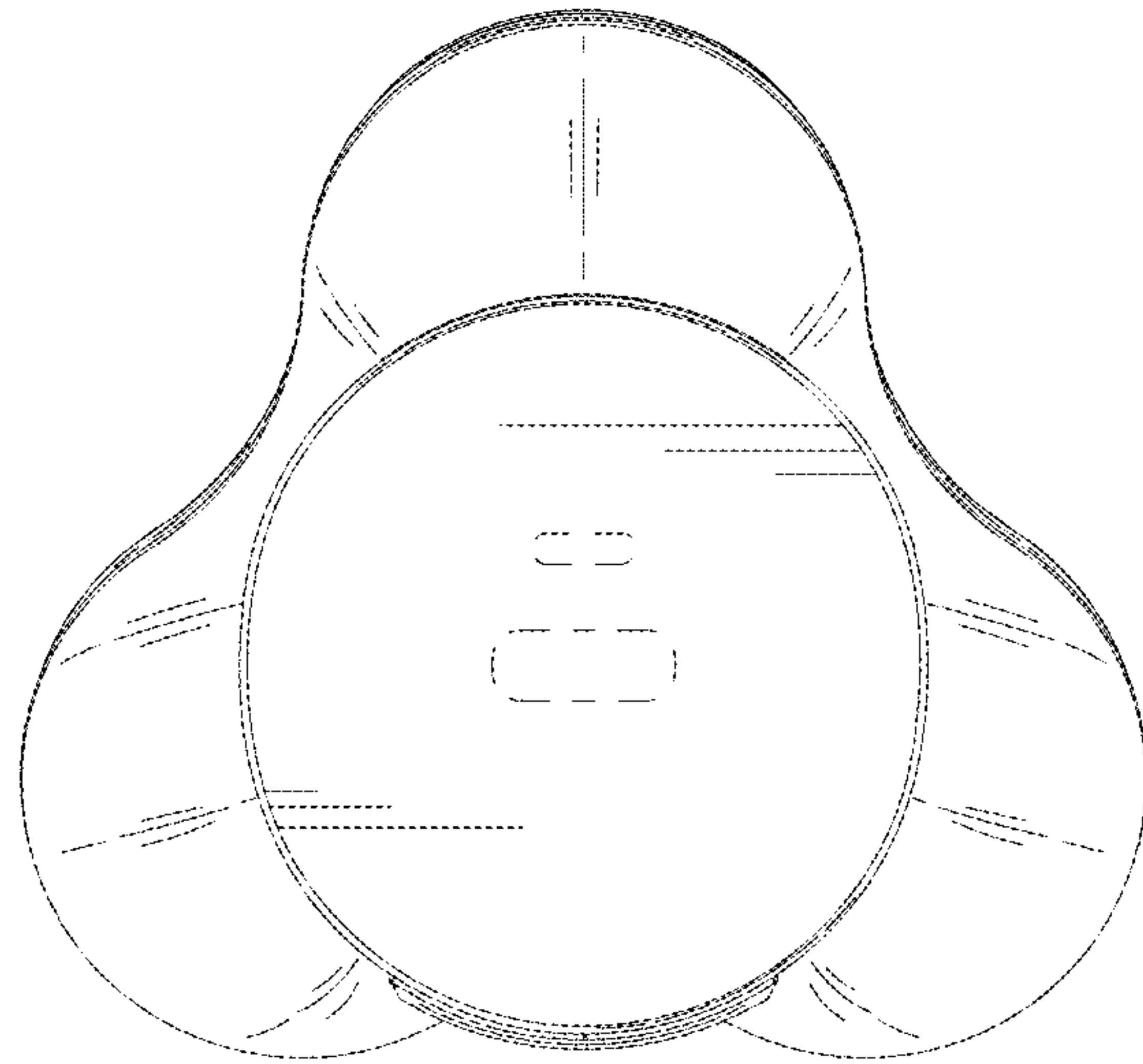


FIG. 7

FIG. 22

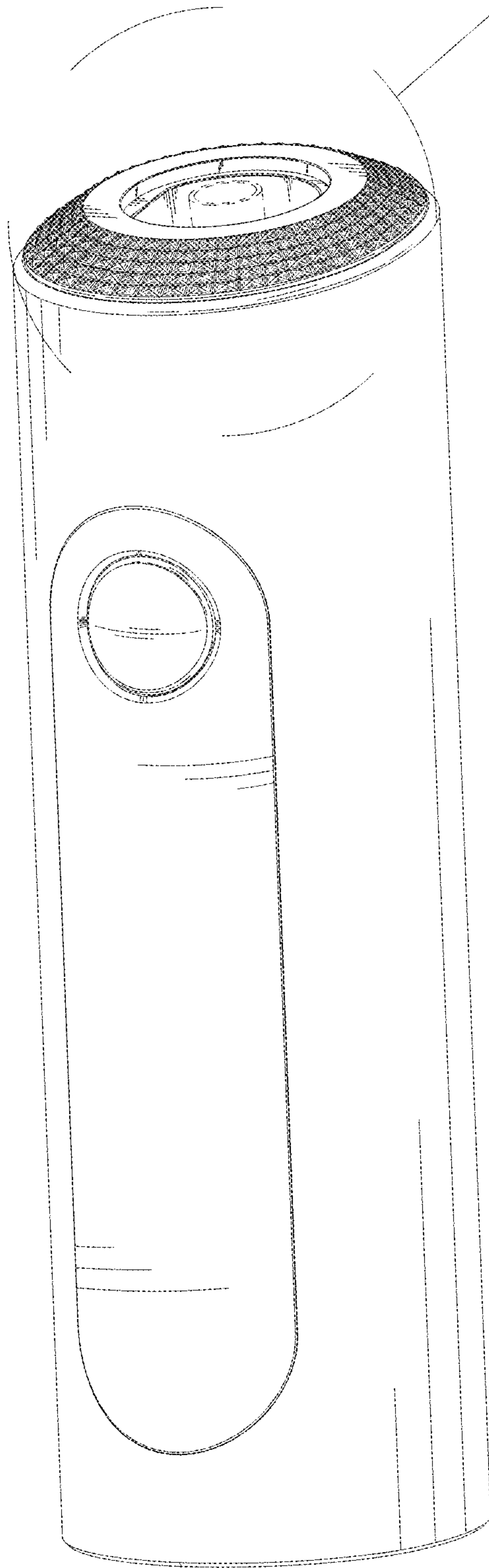


FIG. 8

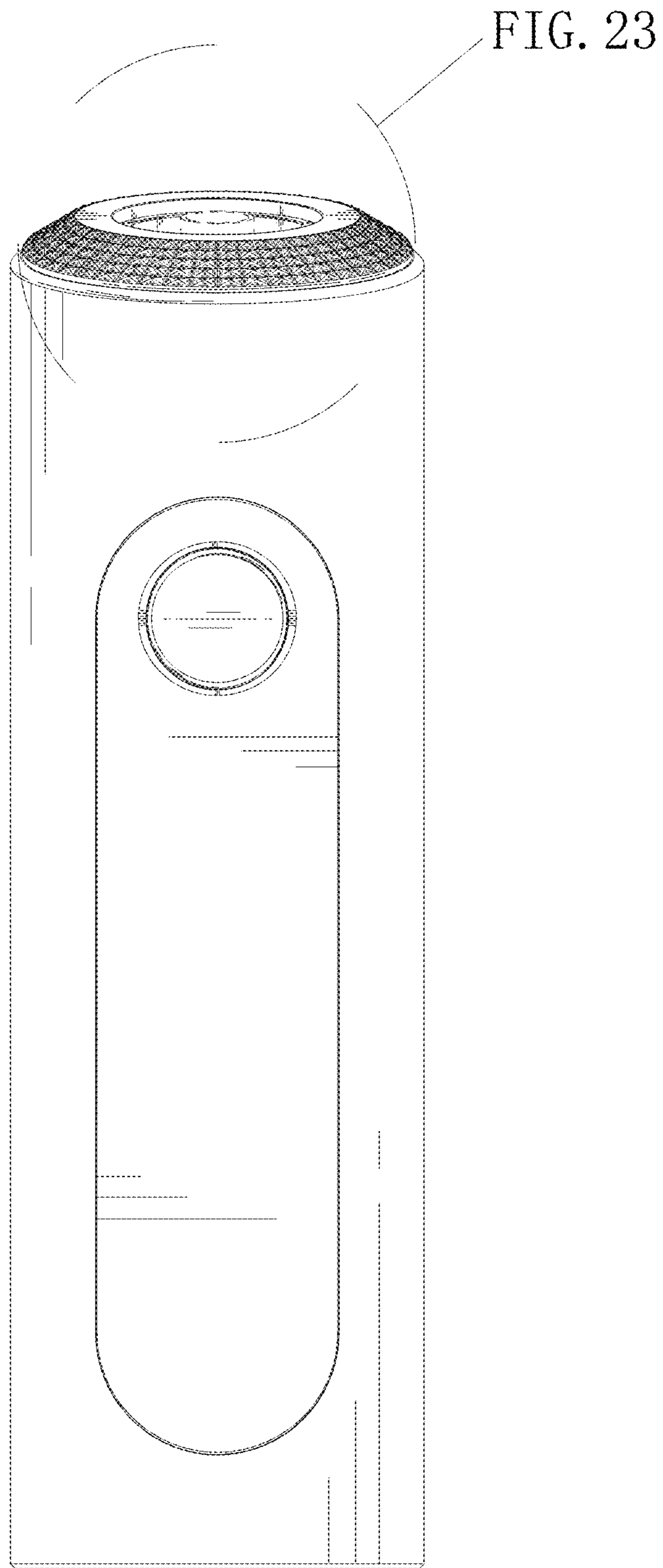


FIG. 9

FIG. 24

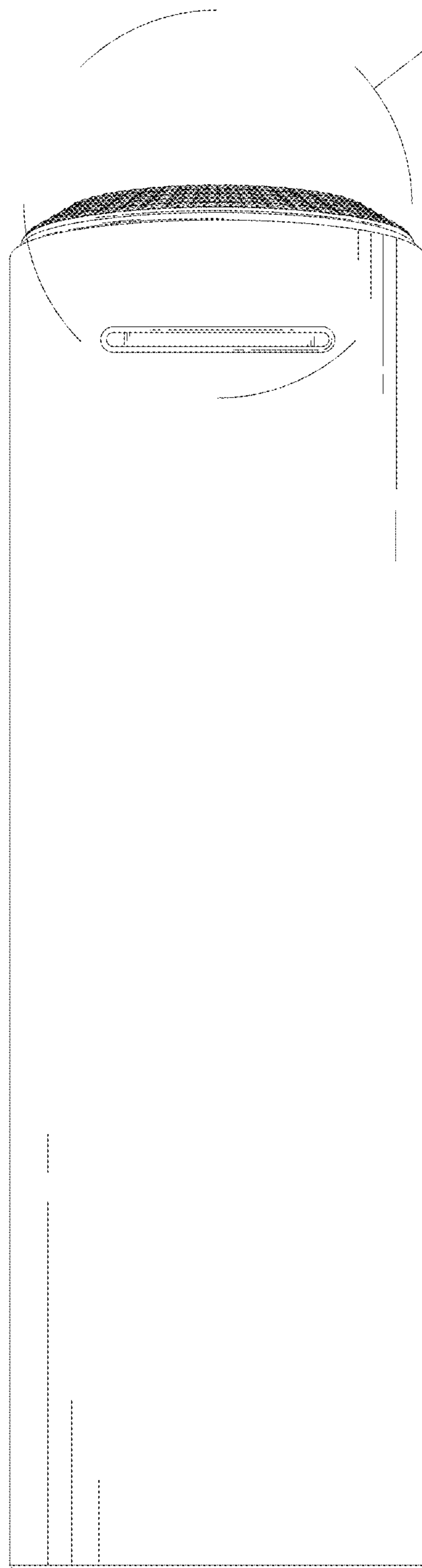
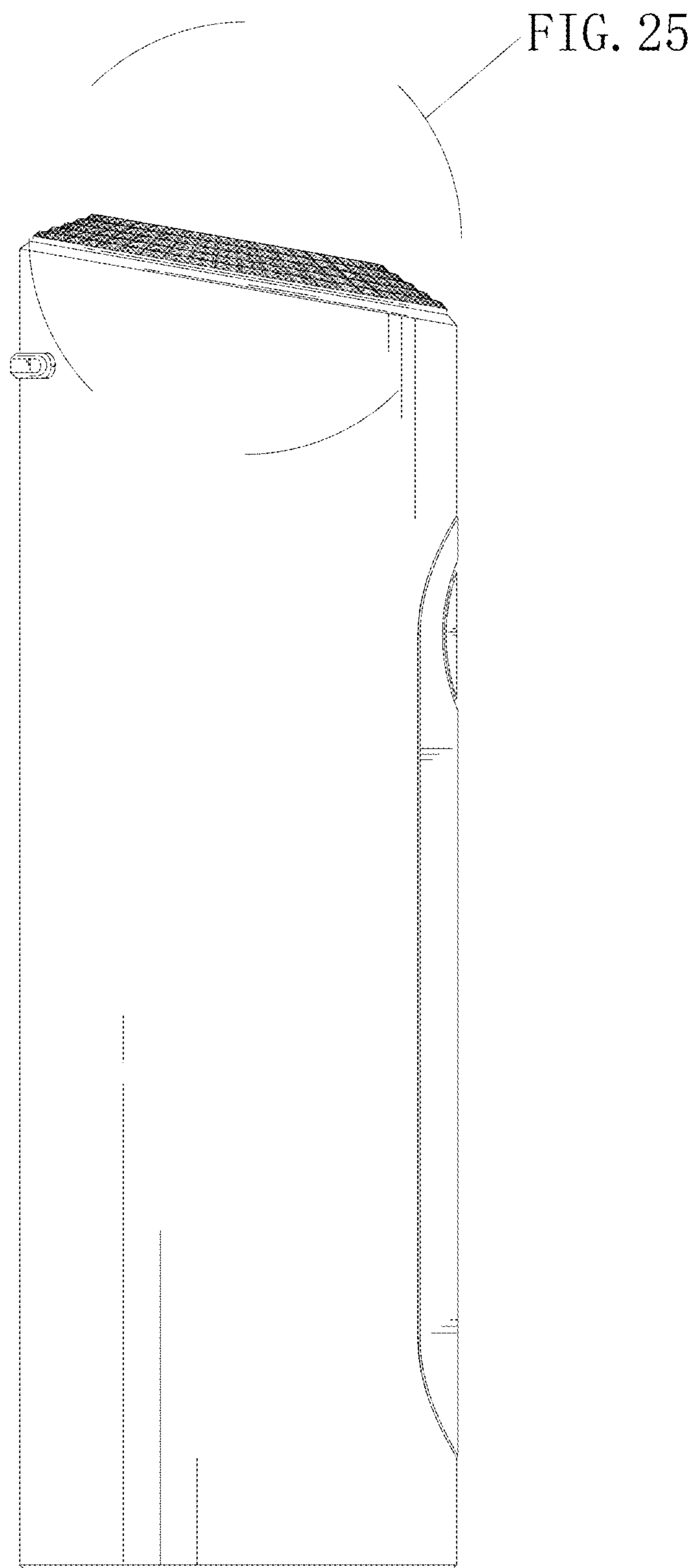


FIG. 10



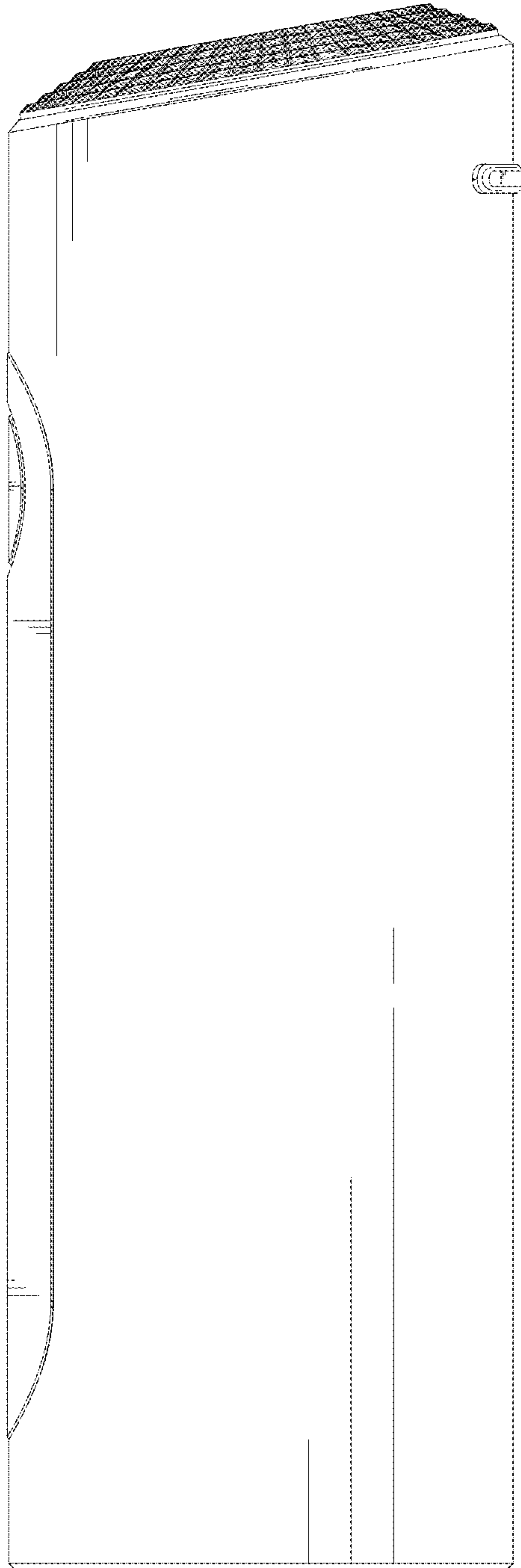


FIG. 12

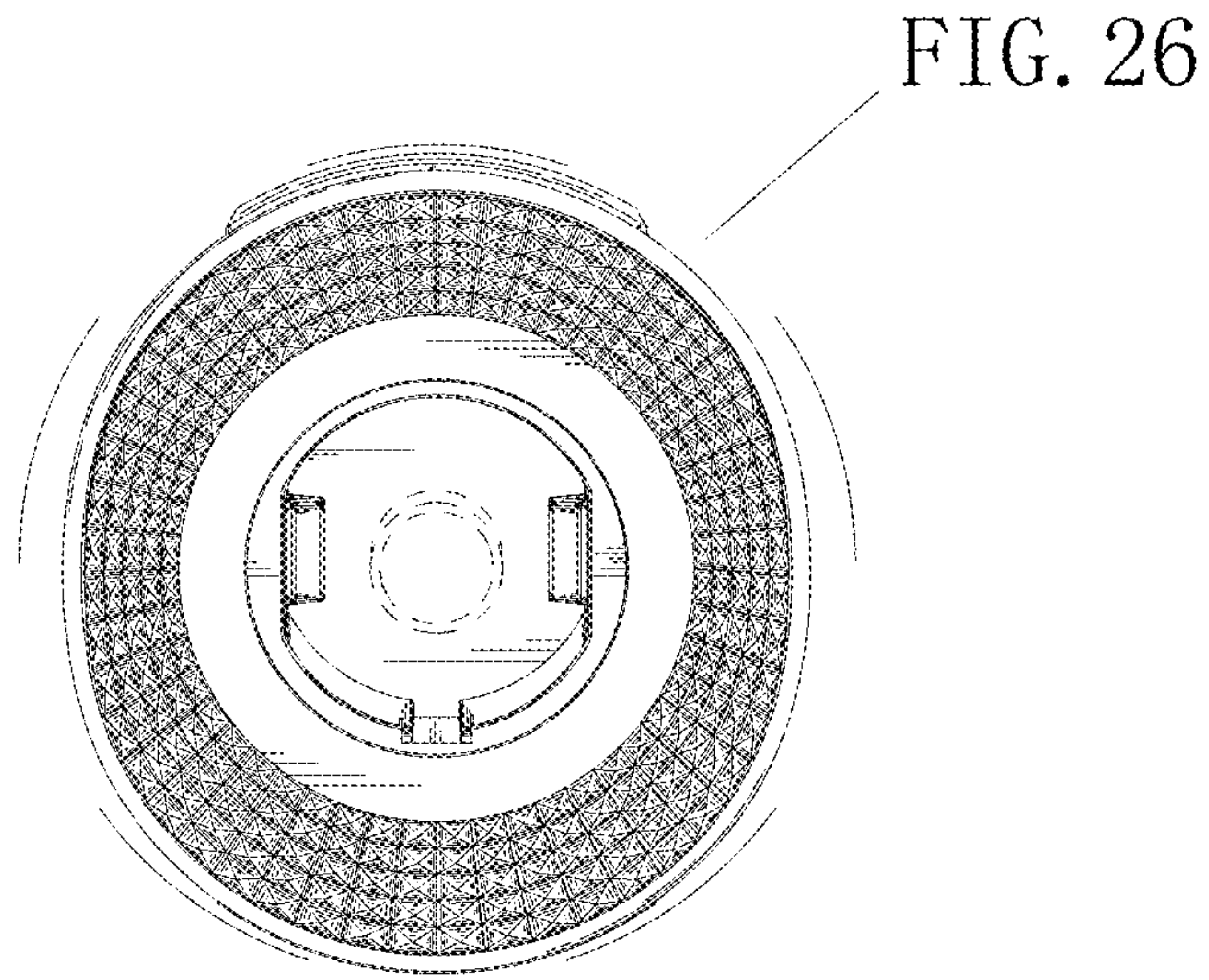


FIG. 13

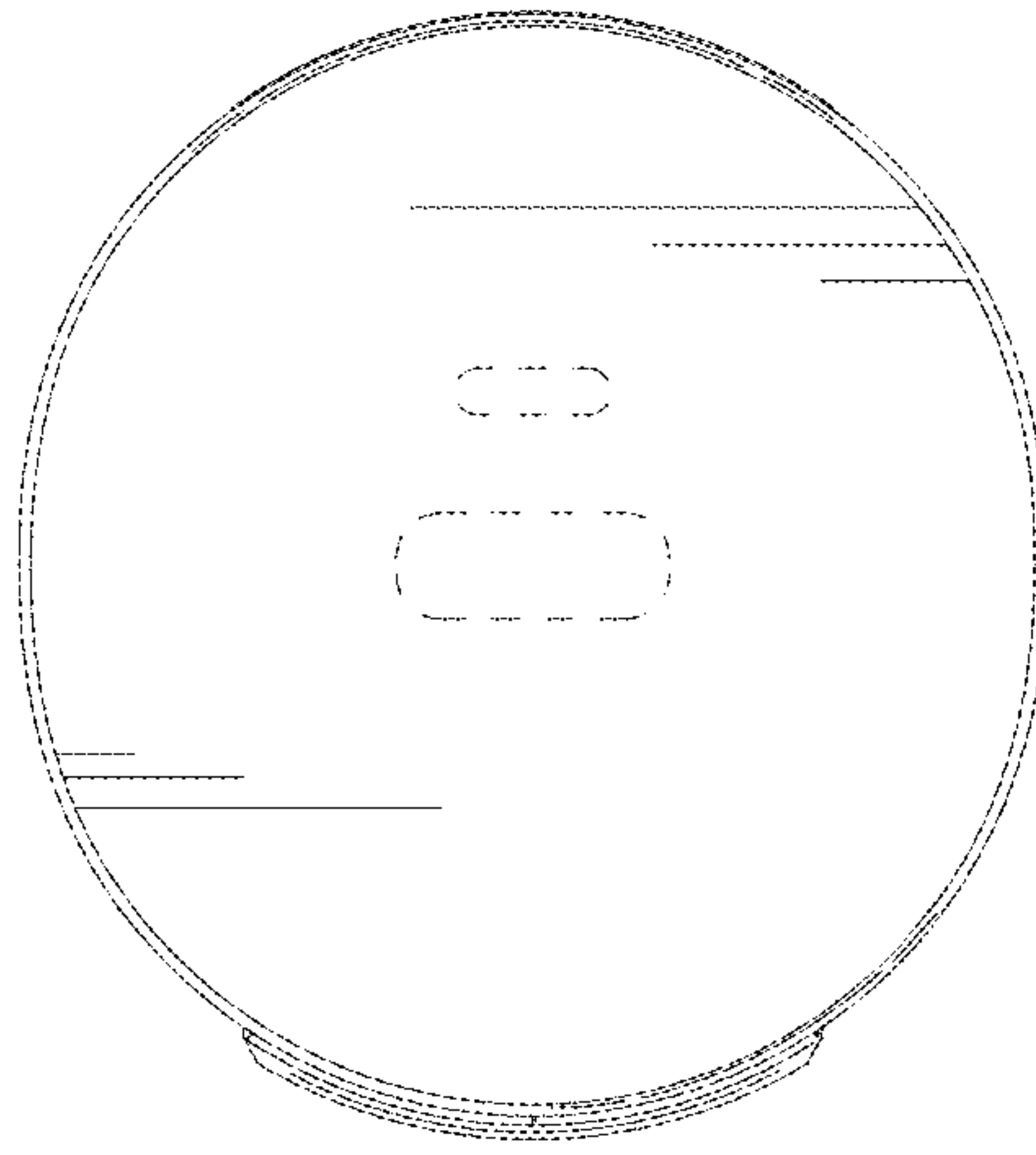


FIG. 14

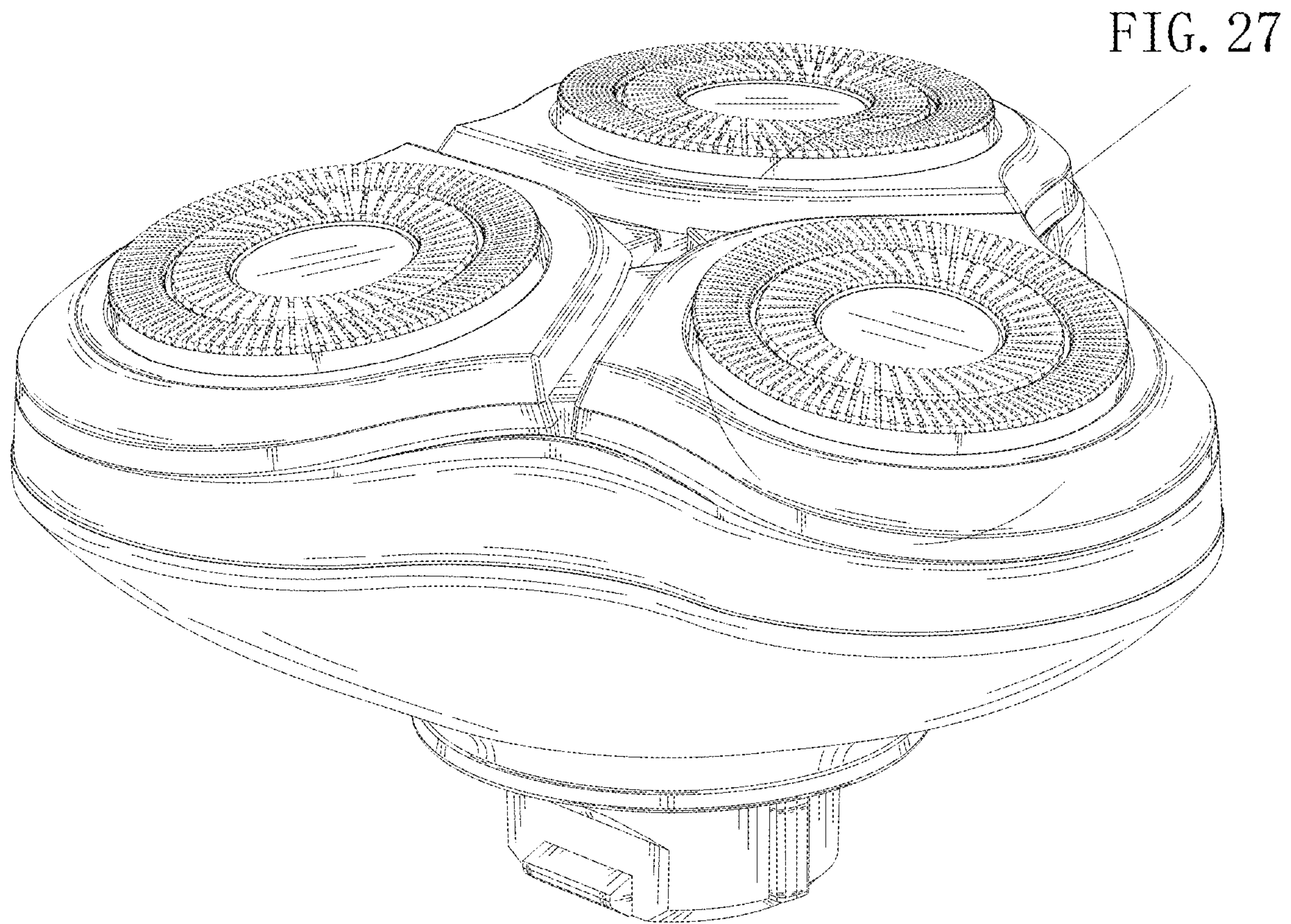


FIG. 15

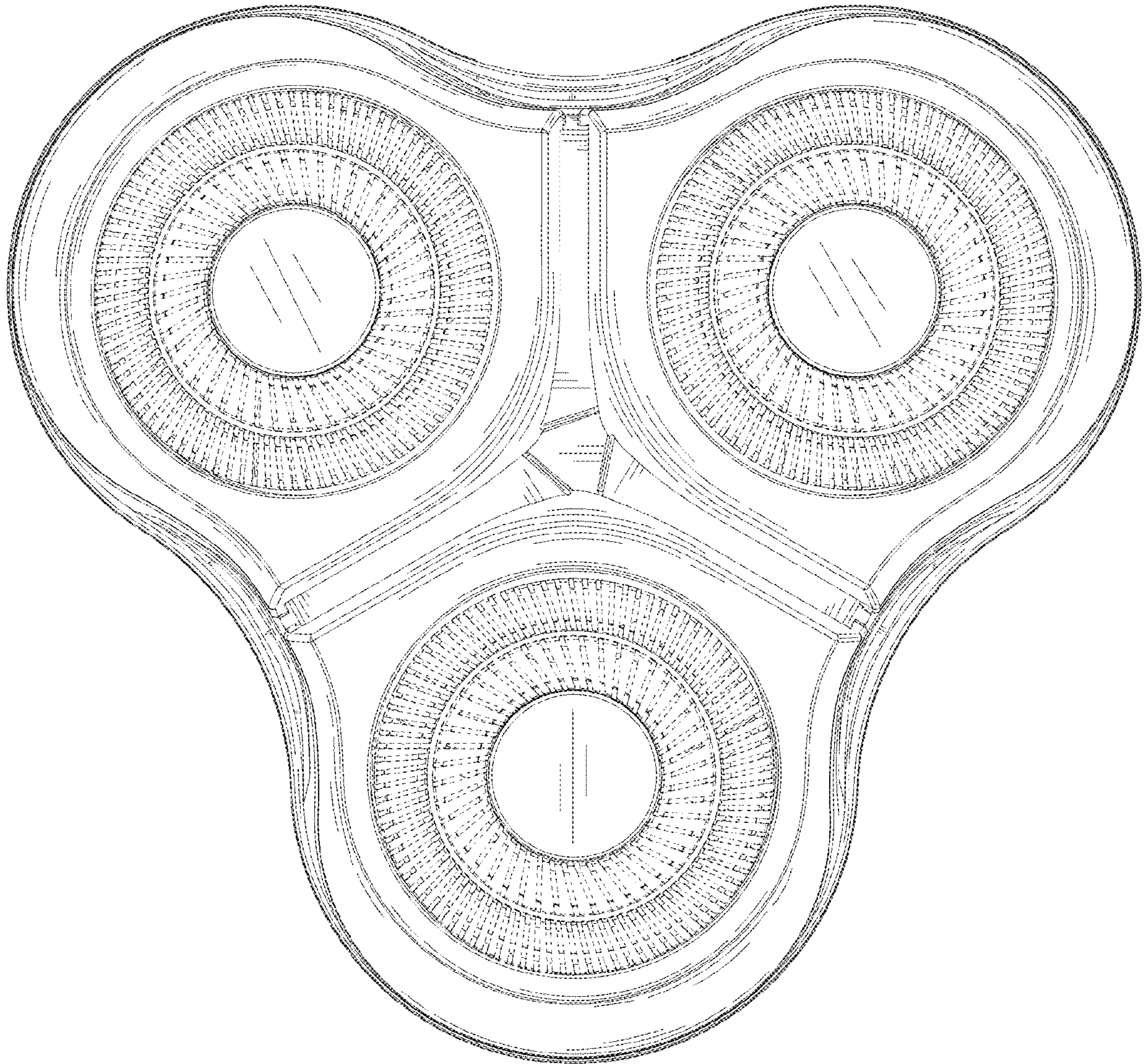


FIG. 16

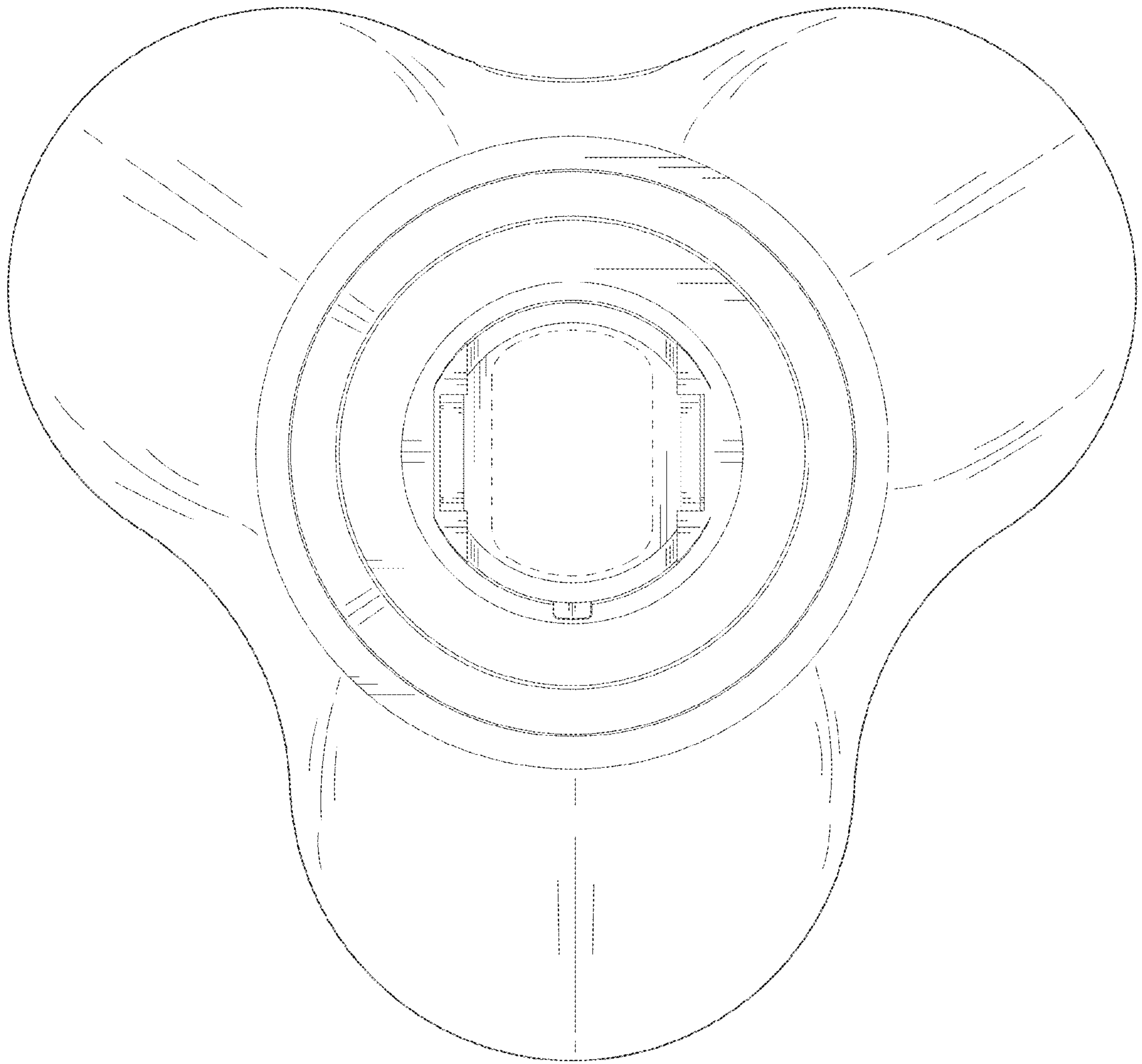


FIG. 17

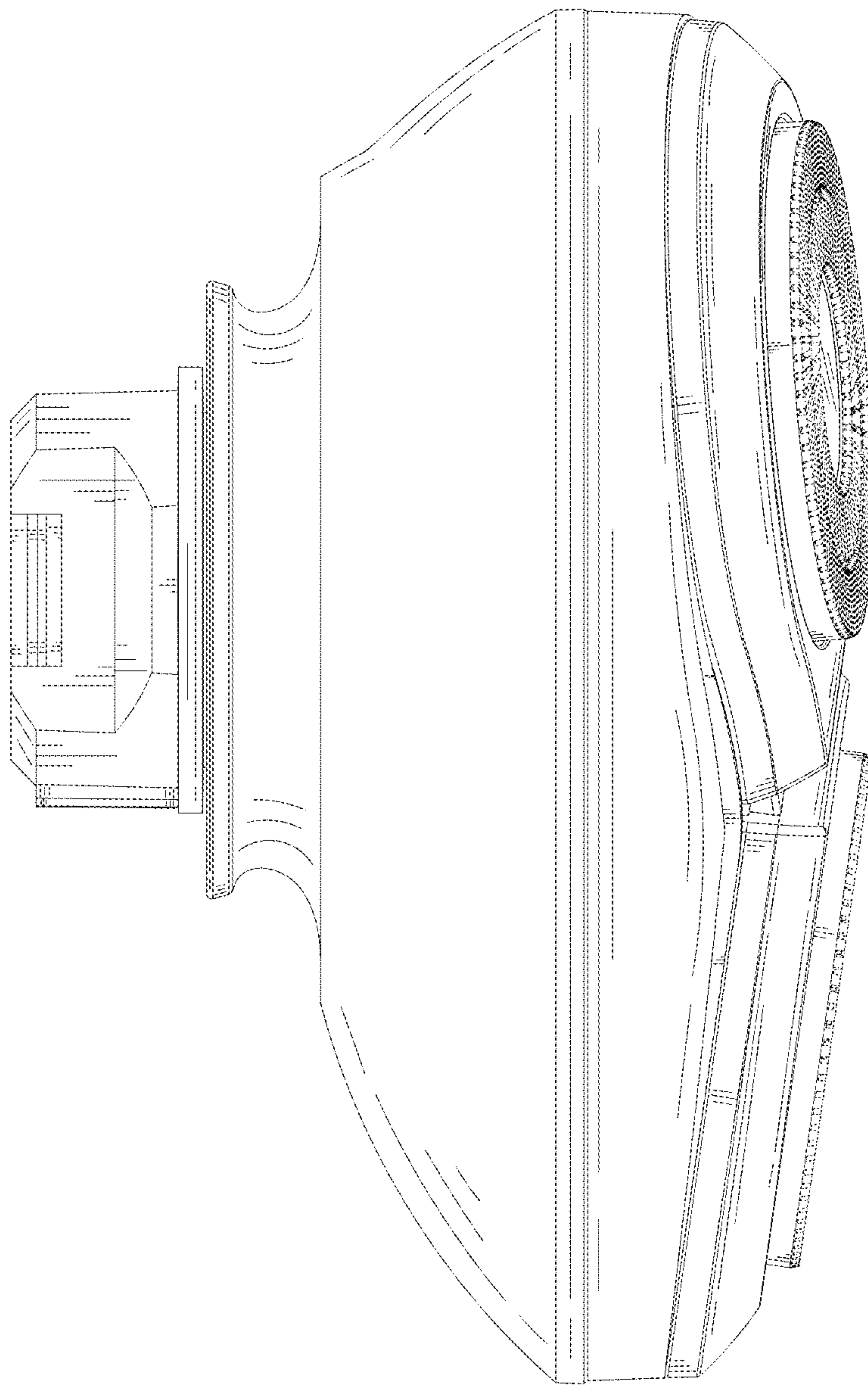


FIG. 18

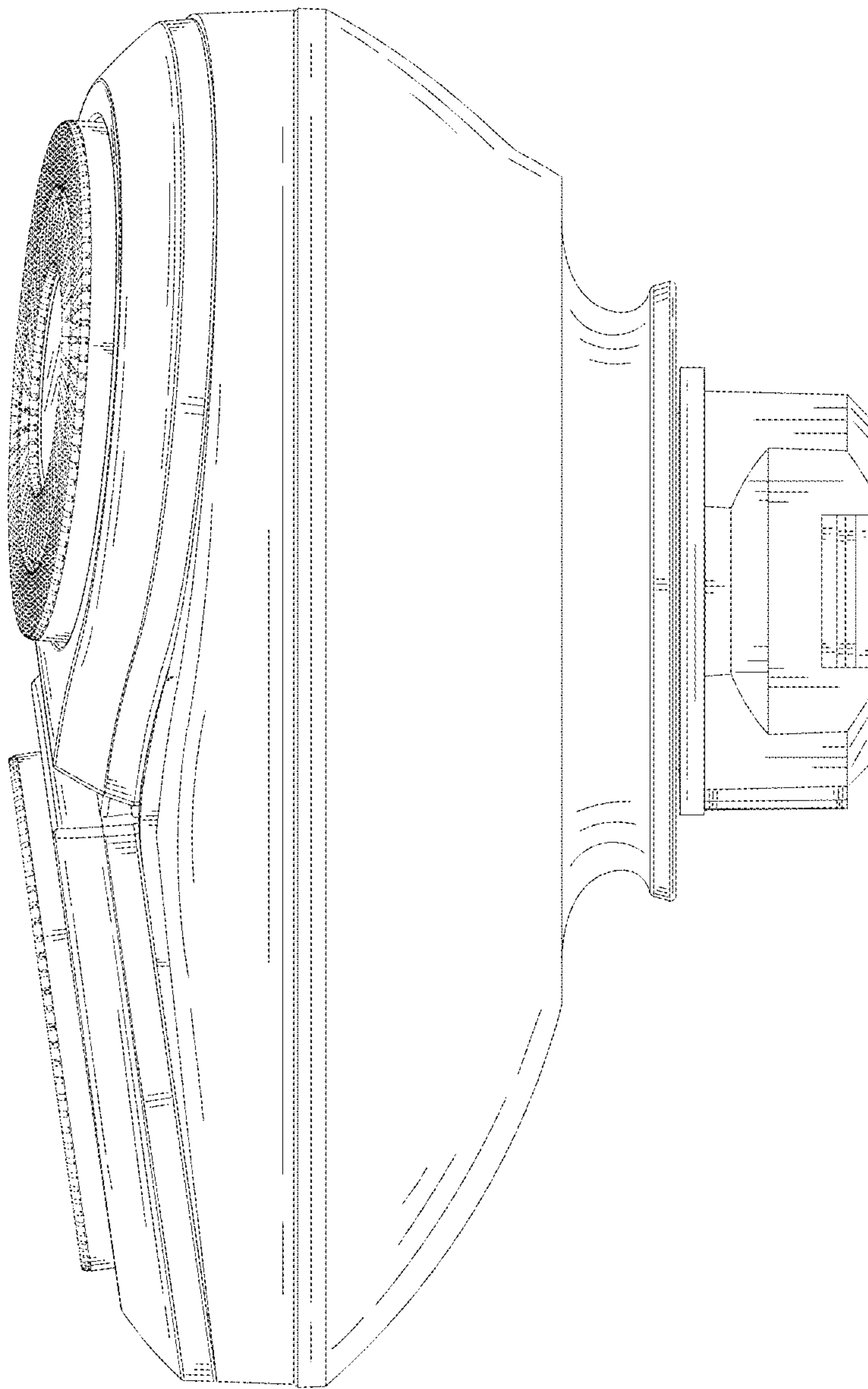


FIG. 19

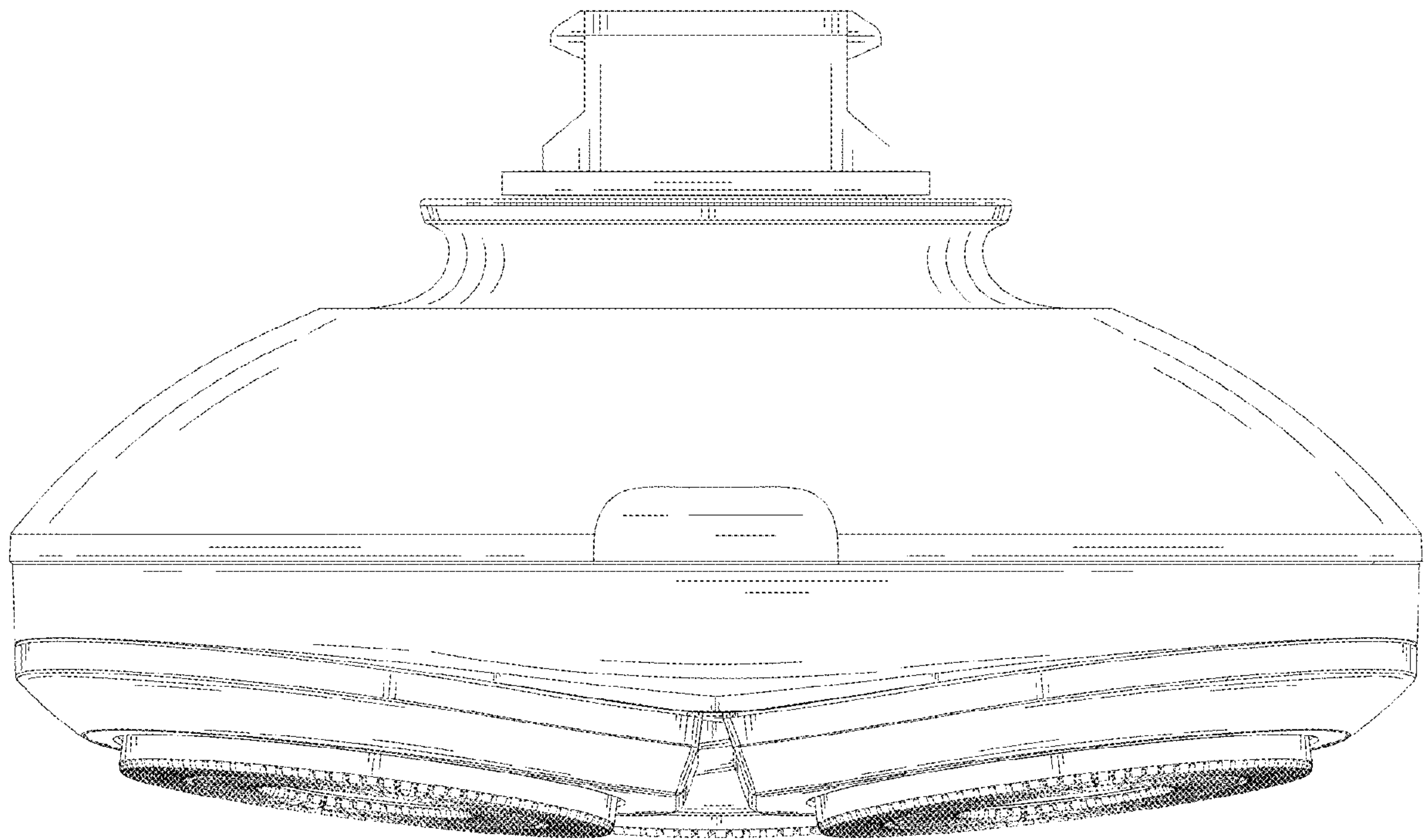


FIG. 20

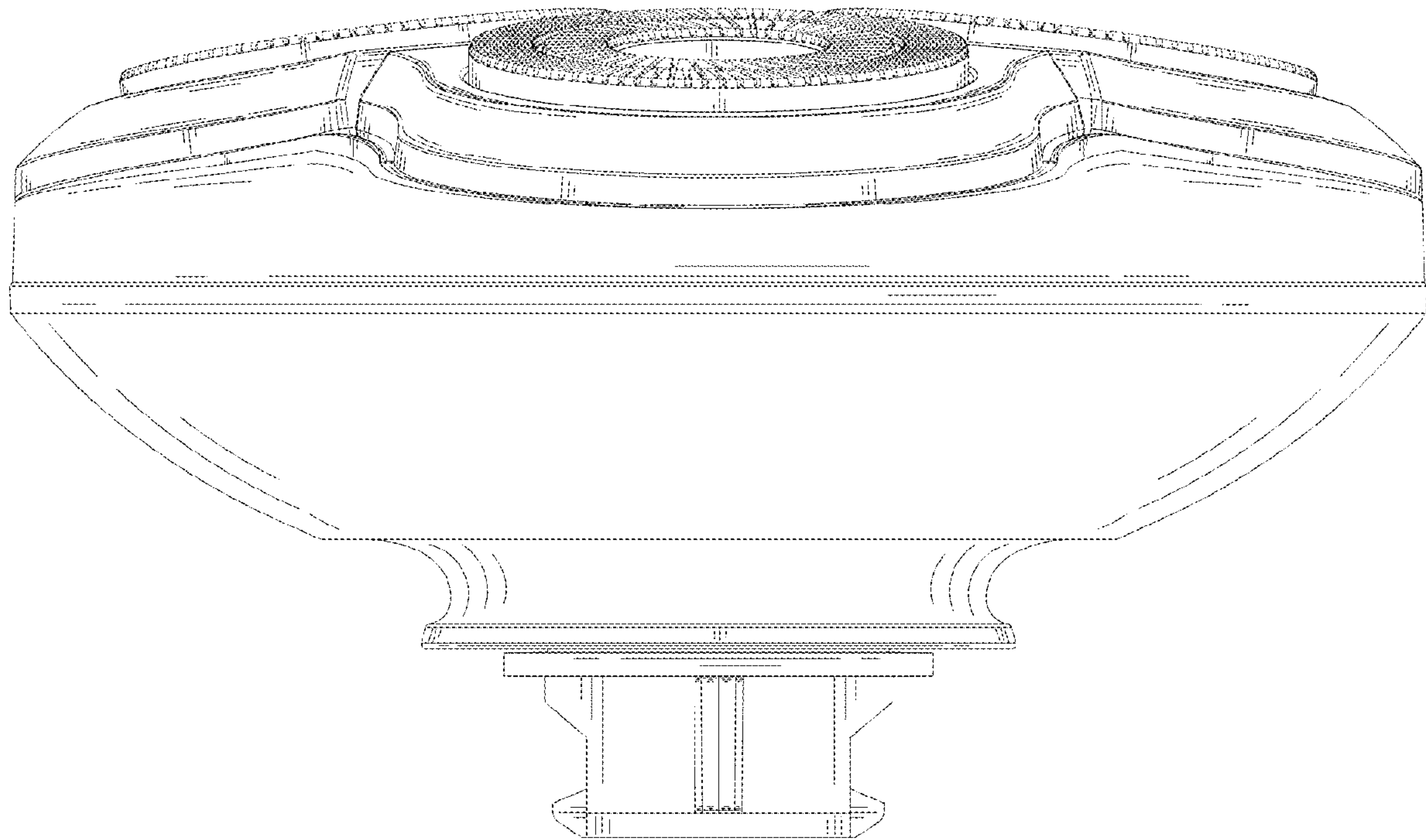


FIG. 21

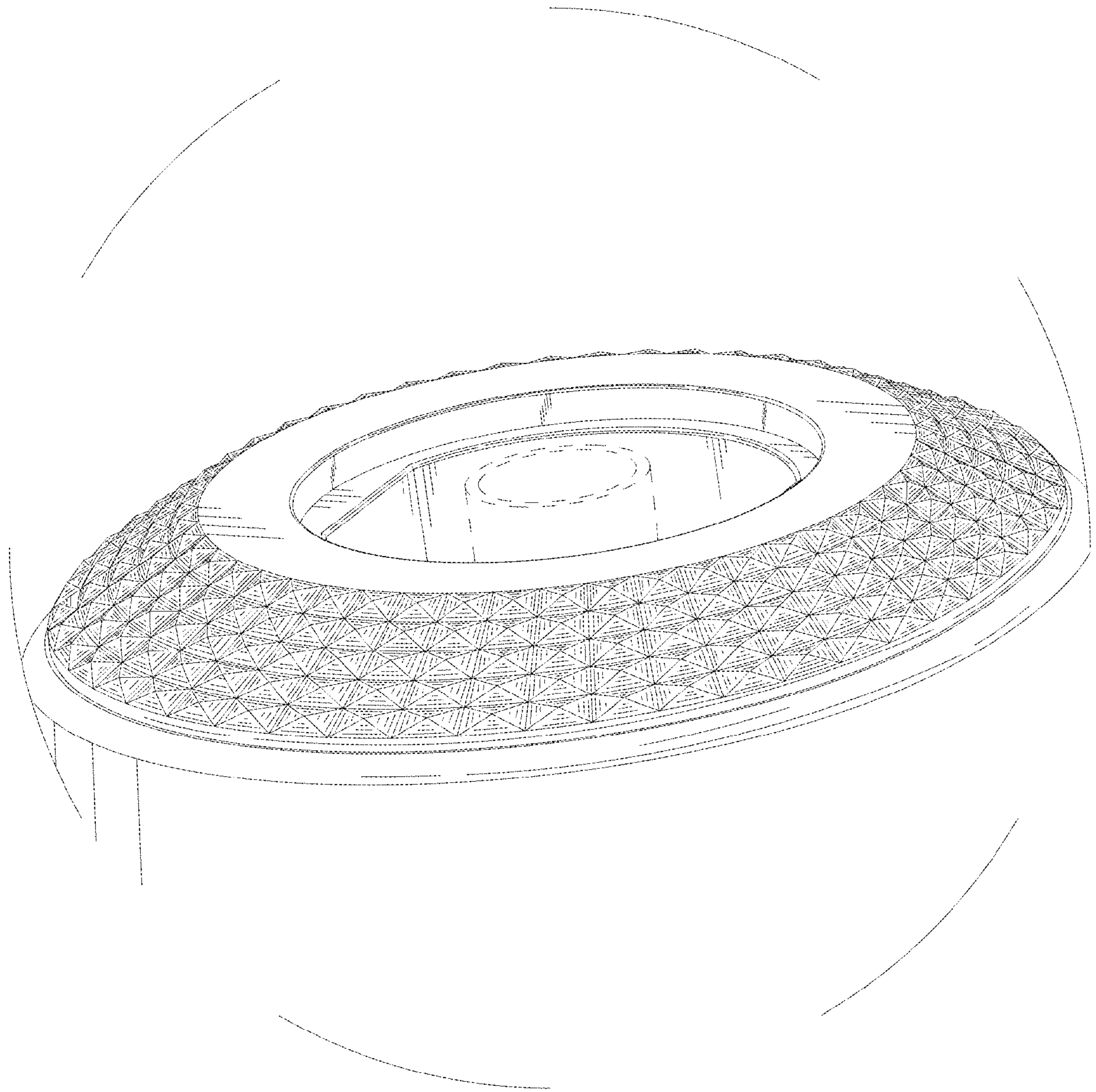


FIG. 22

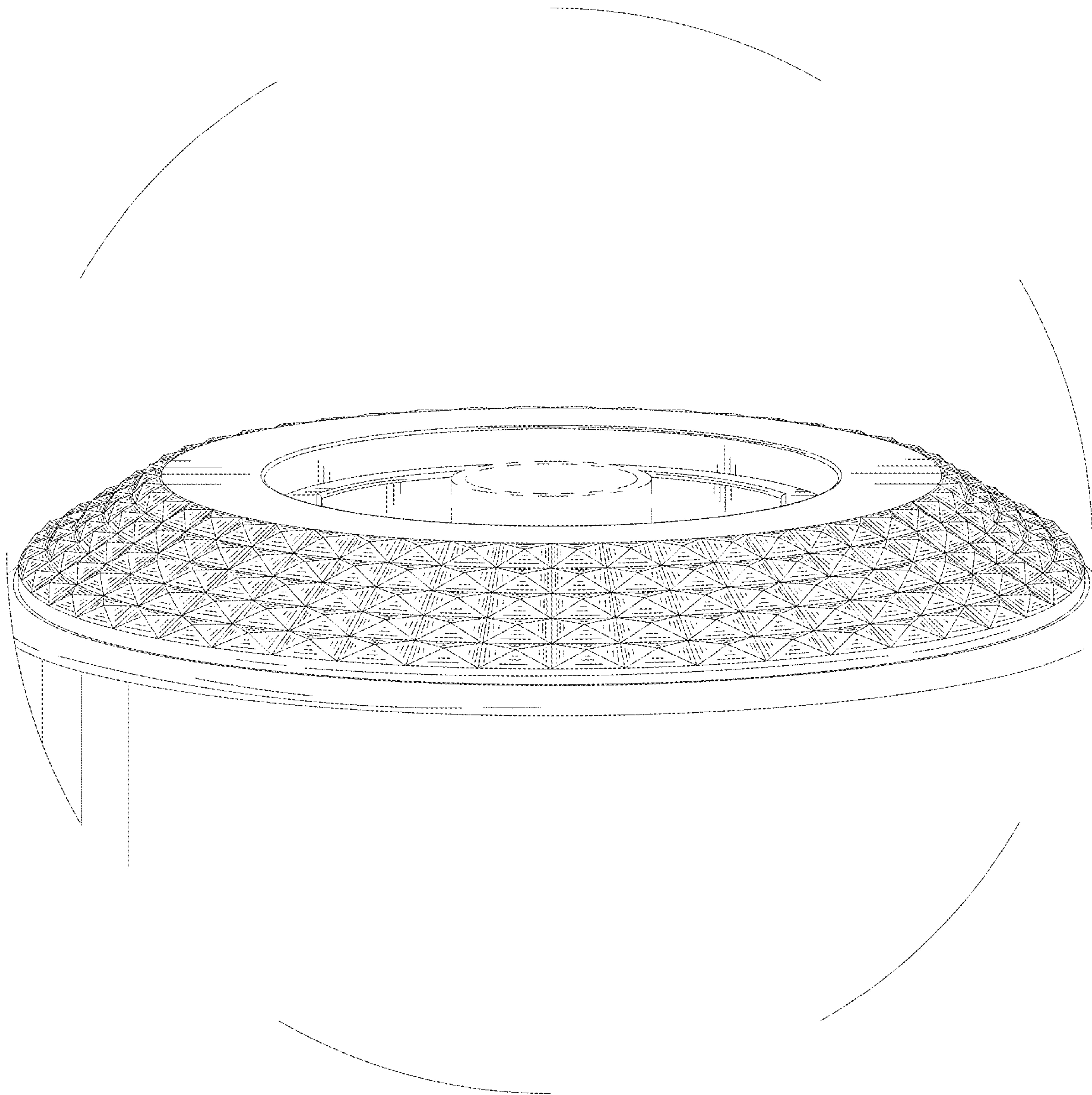


FIG. 23

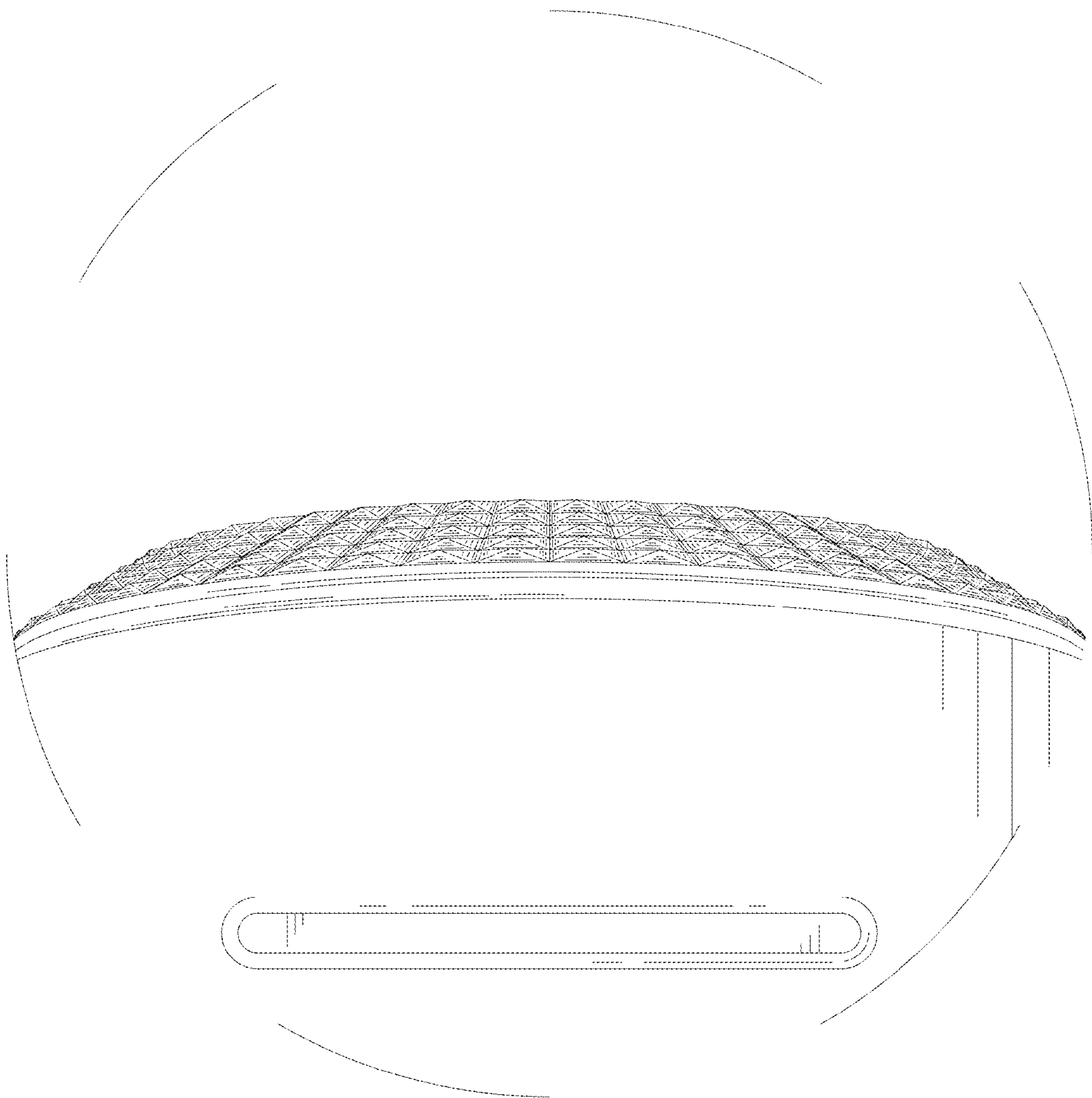


FIG. 24

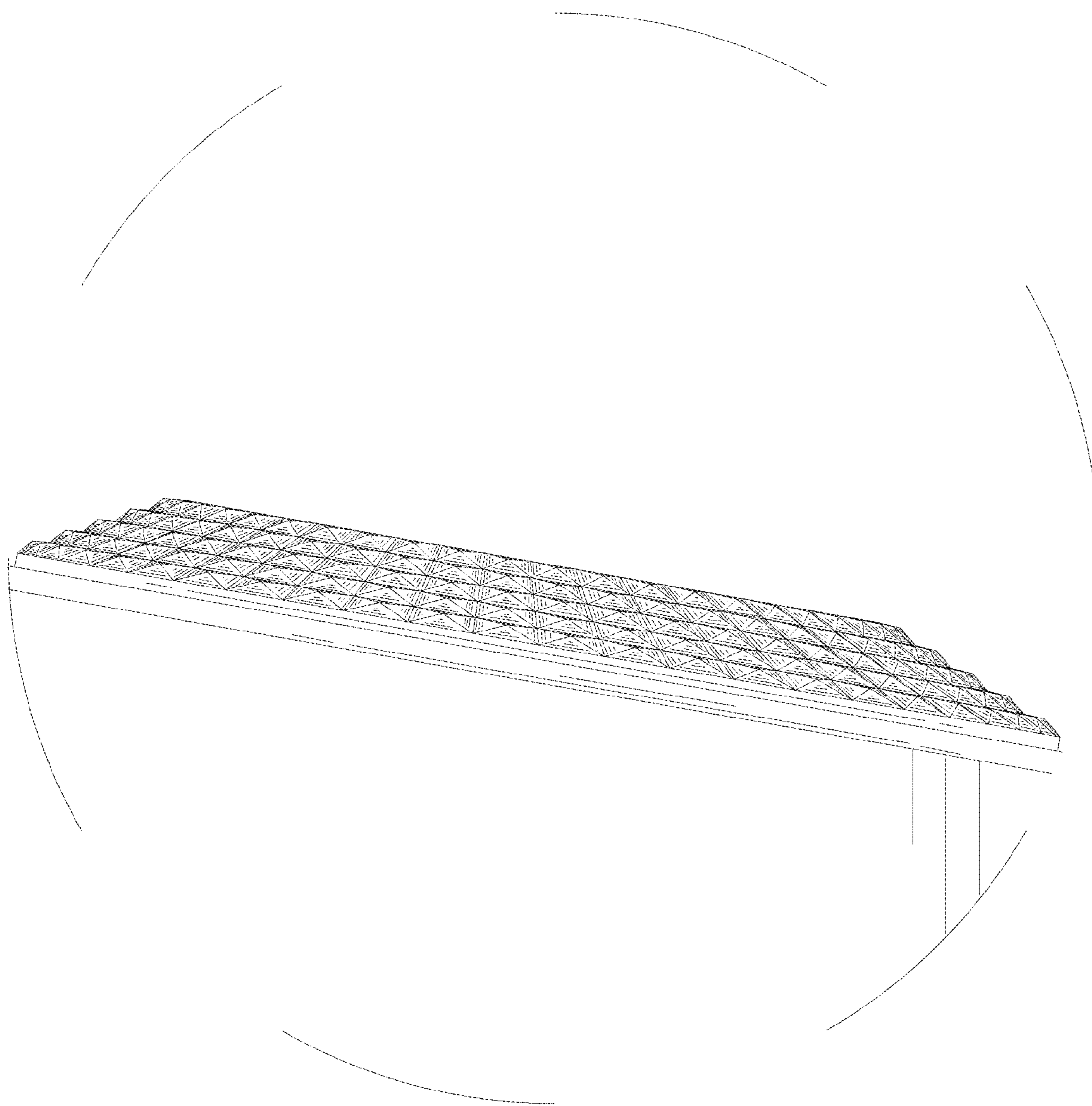


FIG. 25

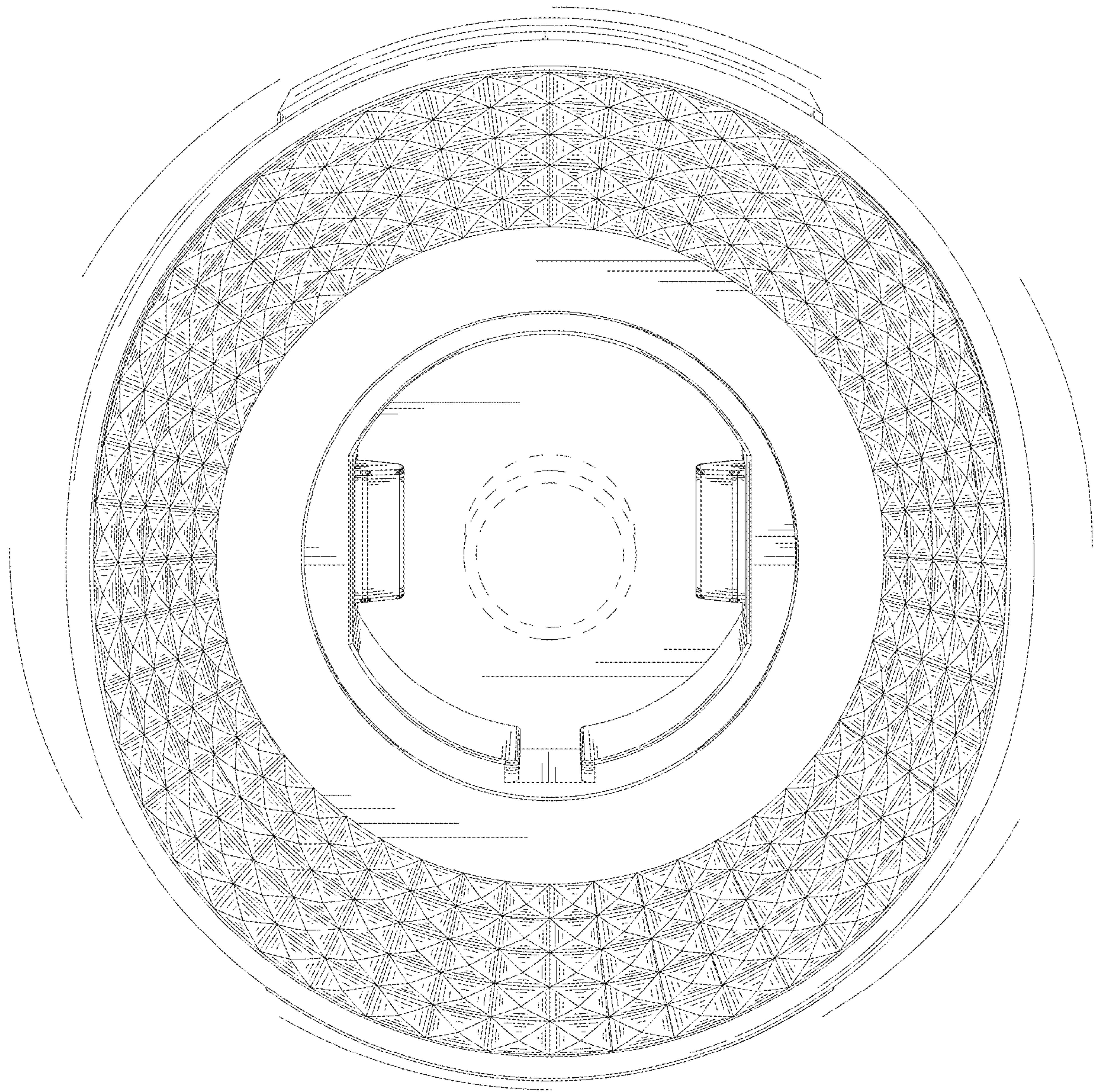


FIG. 26

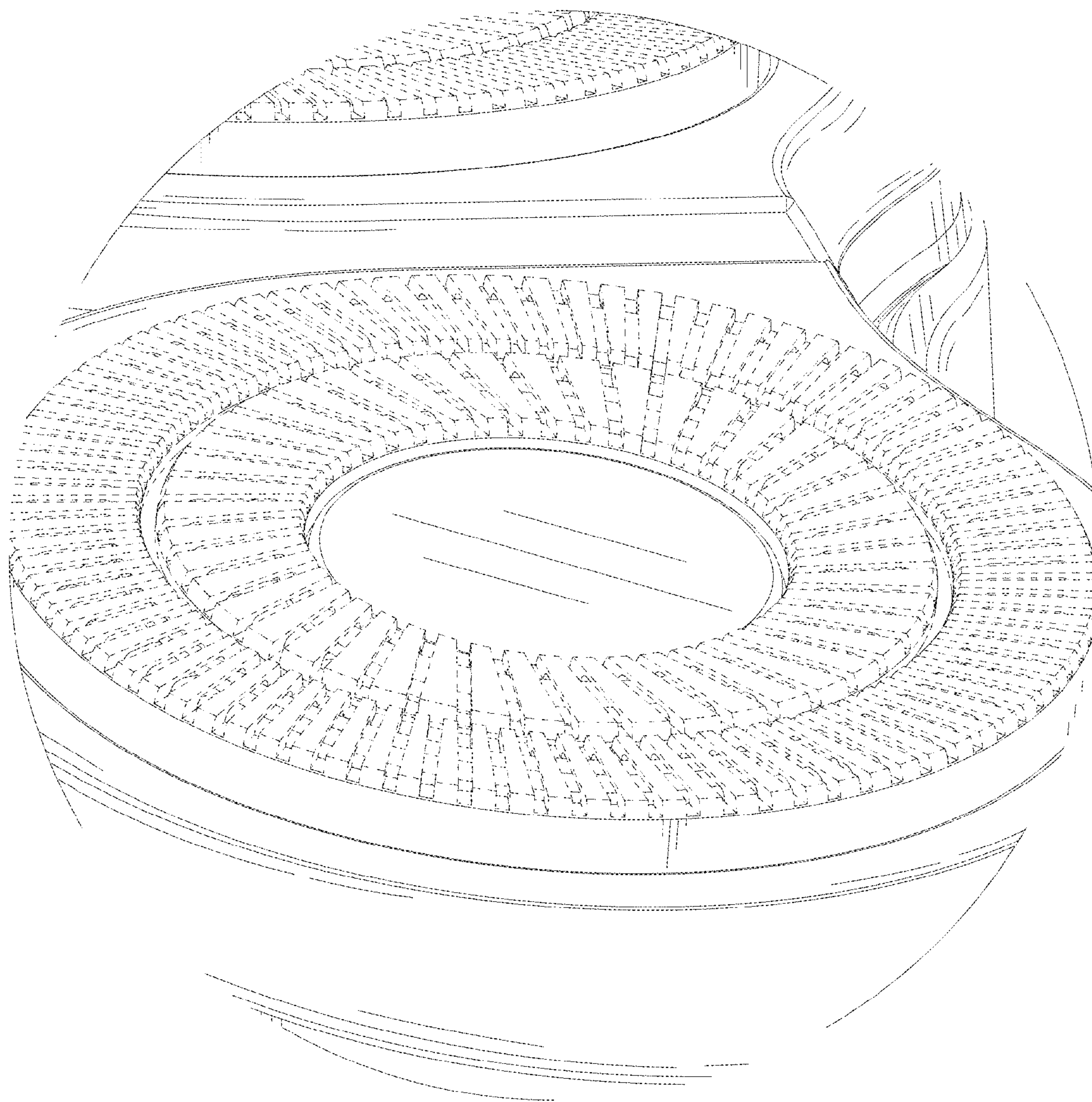


FIG. 27