



US00D938643S

(12) **United States Design Patent** (10) **Patent No.:** **US D938,643 S**
Dodson et al. (45) **Date of Patent:** **** Dec. 14, 2021**

(54) **SMOKING DEVICE**

(71) Applicant: **GRAVITRON, LLC**, Austin, TX (US)

(72) Inventors: **Travis Dodson**, Austin, TX (US);
Micah Evans, Austin, TX (US)

(73) Assignee: **Gravitron, LLC**, Austin, TX (US)

(**) Term: **15 Years**

(21) Appl. No.: **29/720,882**

(22) Filed: **Jan. 16, 2020**

(51) **LOC (13) Cl.** **27-02**

(52) **U.S. Cl.**
USPC **D27/162**

(58) **Field of Classification Search**

USPC D27/100, 101, 162, 163, 164, 165, 166,
D27/167, 168, 169, 170, 171, 172, 173,
D27/174, 175, 176, 177, 178, 179, 180,
D27/181, 182, 183, 184, 185, 186, 187,
D27/188, 189, 190, 191, 192, 193;
D28/91.1; D23/360, 362; D24/110,
D24/110.4, 110.5, 110.6, 113
CPC A24F 40/10; A24F 40/40; A24F 40/46;
A24F 40/42; A24F 40/44; A24F 40/485;
A24F 40/50; A24F 40/60; A24F 40/90;
A24F 40/53; A24F 40/70; A24F 40/48;
A24F 40/51; A24F 40/57; A24F 40/05;
A24F 40/65; A24F 40/20; A24F 47/002;
A24F 40/30; A24F 7/00; A24F 47/00;
A24F 1/32; A24F 40/00; A24F 40/49;
A24F

(Continued)

(56) **References Cited**

U.S. PATENT DOCUMENTS

D342,993 S * 1/1994 Fathi D24/110
D448,475 S * 9/2001 Jansen D24/110

(Continued)

OTHER PUBLICATIONS

Grav Silicone Capped Crutch Free Shipping. By Waterbeds ‘n’ Stuff. Dated Jul. 21, 2019. Found online [Feb. 22, 2021], <https://www.youtube.com/watch?v=wqwXCvxtQM> (Year: 2019).*

Primary Examiner — Marissa J Cash

Assistant Examiner — William B Melliar

(74) *Attorney, Agent, or Firm* — Dickinson Wright, PLLC; Michael E Noe, Jr.

(57) **CLAIM**

The ornamental design for a smoking device, substantially as shown and described.

DESCRIPTION

FIG. 1 is a front isometric view of a smoking device shown in an assembled configuration of use.

FIG. 2 is a rear isometric view of the smoking device of FIG. 1.

FIG. 3 is a top view of the smoking device of FIG. 1.

FIG. 4 is a bottom view of the smoking device of FIG. 1.

FIG. 5 is a front view of the smoking device of FIG. 1.

FIG. 6 is a rear view of the smoking device of FIG. 1.

FIG. 7 is a left side view of the smoking device of FIG. 1.

FIG. 8 is a right side view of the smoking device of FIG. 1.

FIG. 9 is an exploded, front isometric view of FIG. 1.

FIG. 10 is an exploded front perspective view of a smoking device with an inner component shown removed from the smoking device for clarity of disclosure.

FIG. 11 is a front view thereof.

FIG. 12 is a top view thereof.

FIG. 13 is a rear view thereof.

FIG. 14 is a front isometric view of a smoking device with the outer component shown removed from the smoking device for clarity of disclosure.

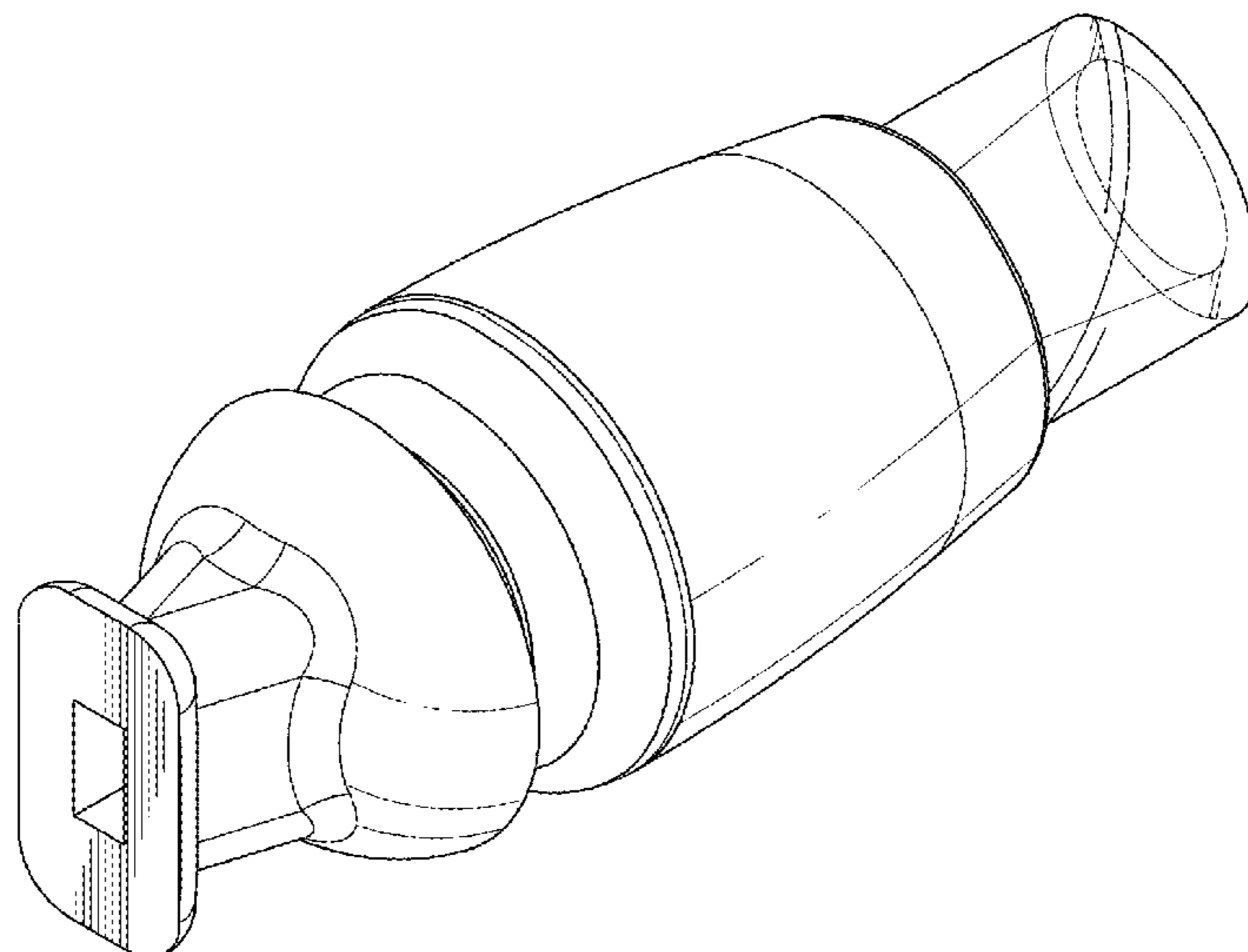
FIG. 15 is a top view thereof.

FIG. 16 is a side view thereof.

FIG. 17 is a front view thereof; and,

FIG. 18 is a rear view thereof.

1 Claim, 8 Drawing Sheets



(58) Field of Classification Search

CPC ... 40/85; A24F 40/95; A24F 7/04; A24F 9/16;
 A24F 47/008; A24F 15/015; A24F
 40/465; A24F 42/60; A24F 1/02; A24F
 2700/03; A24F 47/006; A24F 13/00;
 A24F 13/14; A24F 15/01; A24F 15/12;
 A24F 15/14; A24F 15/18; A24F 42/00;
 A24F 42/10; A24F 7/02; A24F 47/004;
 A24F 1/00; A24F 42/20; A61M 11/042;
 A61M 15/06; A61M 2205/82; A61M
 15/002; A61M 11/041; A61M 15/0001;
 A61M 15/0085; A61M 11/001; A61M
 11/04; A61M 11/044; A61M 15/0015;
 A61M 15/0021; A61M 15/0028; A61M
 15/0091; A61M 15/0095; A61M 16/0808;
 A61M 2205/0211; A61M 2205/0238;
 A61M 2205/0272; A61M 2205/123;
 A61M 2205/3334; A61M 2205/58; A61M
 2205/7536; A61M 2205/3653; A61M
 2205/18; A61M 2205/3317; A61M
 2205/50; A61M 2205/52; A61M
 2205/3368; A24B 15/167

See application file for complete search history.

(56)

References Cited

U.S. PATENT DOCUMENTS

D597,656	S	*	8/2009	Bird	D24/110
D692,122	S	*	10/2013	von Hollen	D24/110
D692,555	S	*	10/2013	Maksym	D24/110.5
D696,768	S	*	12/2013	Karlsson	D24/110.5
D774,641	S	*	12/2016	Miggels	D24/113
D788,909	S	*	6/2017	Ratjen	D24/113
D800,303	S	*	10/2017	Ratjen	D24/130
D810,282	S	*	2/2018	Ratjen	D24/113
D863,666	S	*	10/2019	Wang	D27/101
D869,750	S	*	12/2019	Zhang	D27/162
D869,751	S	*	12/2019	Zhang	D27/162
D874,059	S	*	1/2020	Bailey	D27/162
D895,106	S	*	9/2020	Patil	D24/113
D901,755	S	*	11/2020	Peirce	D27/101
D903,108	S	*	11/2020	Scrimgeour	D24/113
D910,230	S	*	2/2021	Peirce	D27/101
D917,691	S	*	4/2021	Hamilton	A61B 5/097 D24/110

* cited by examiner

FIG. 1

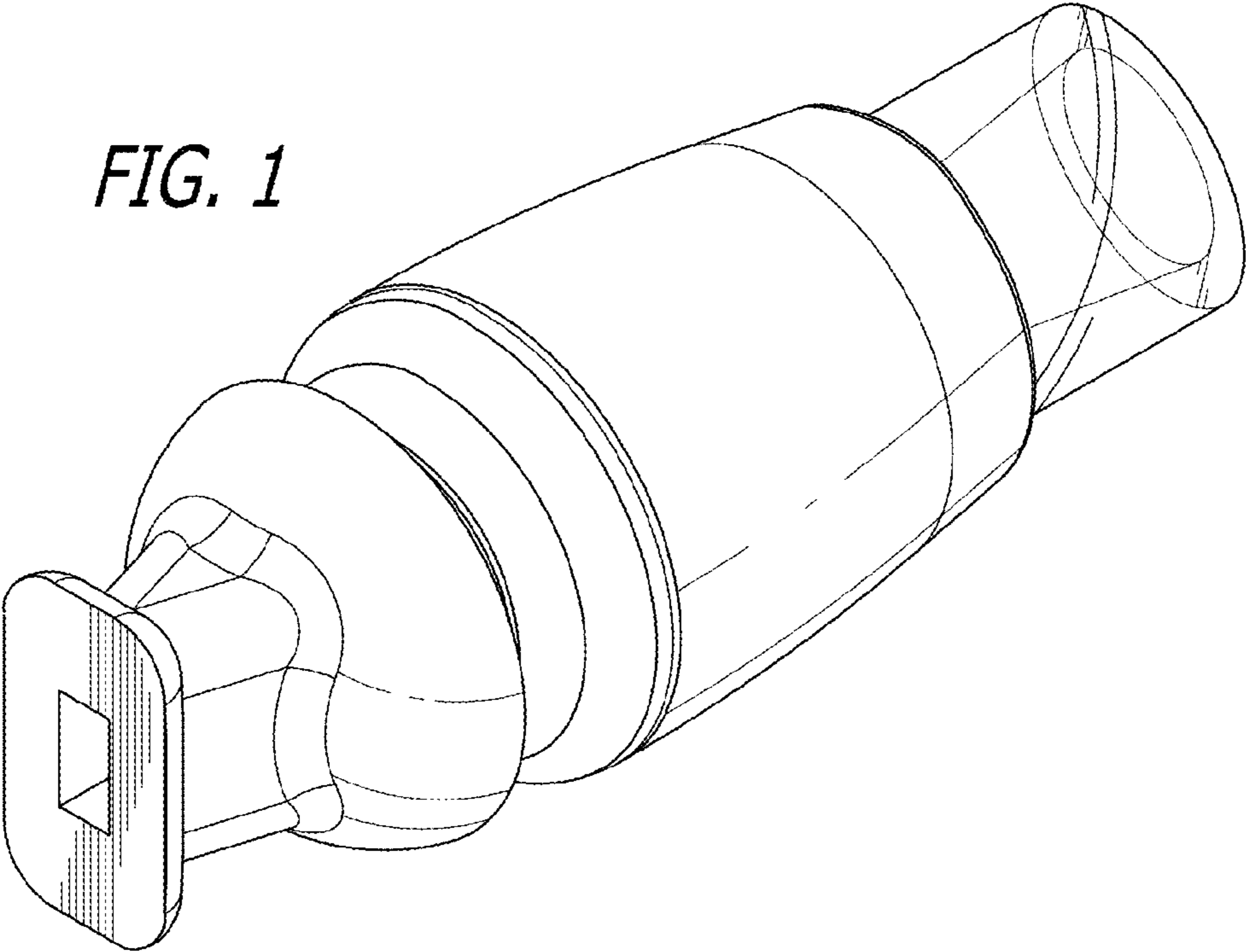
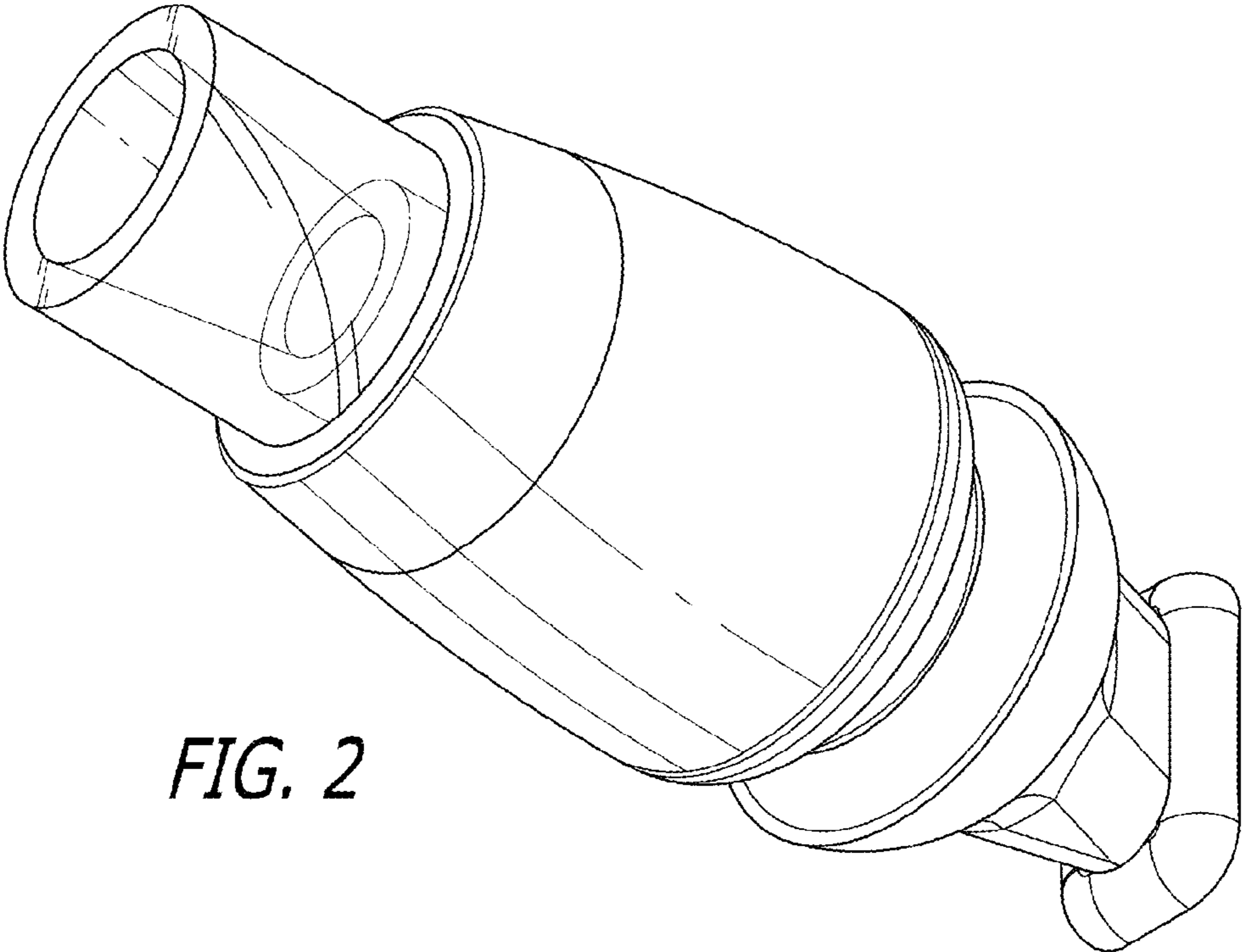


FIG. 2



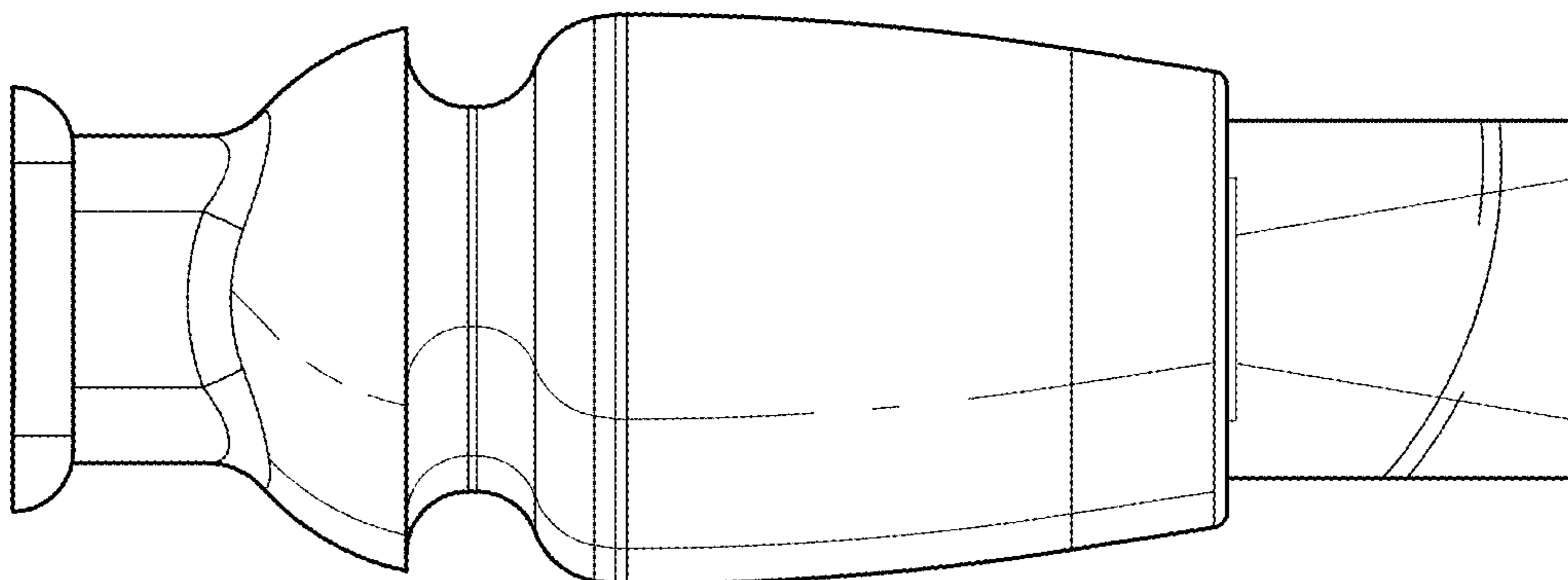


FIG. 3

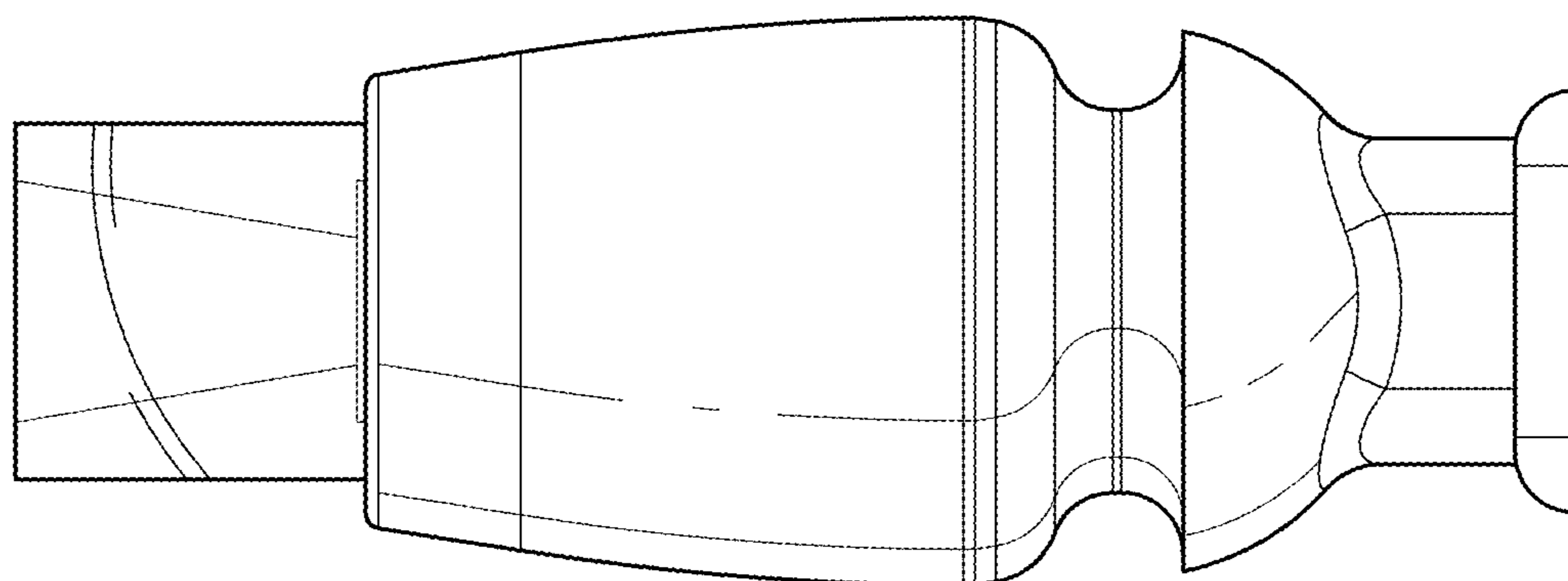


FIG. 4

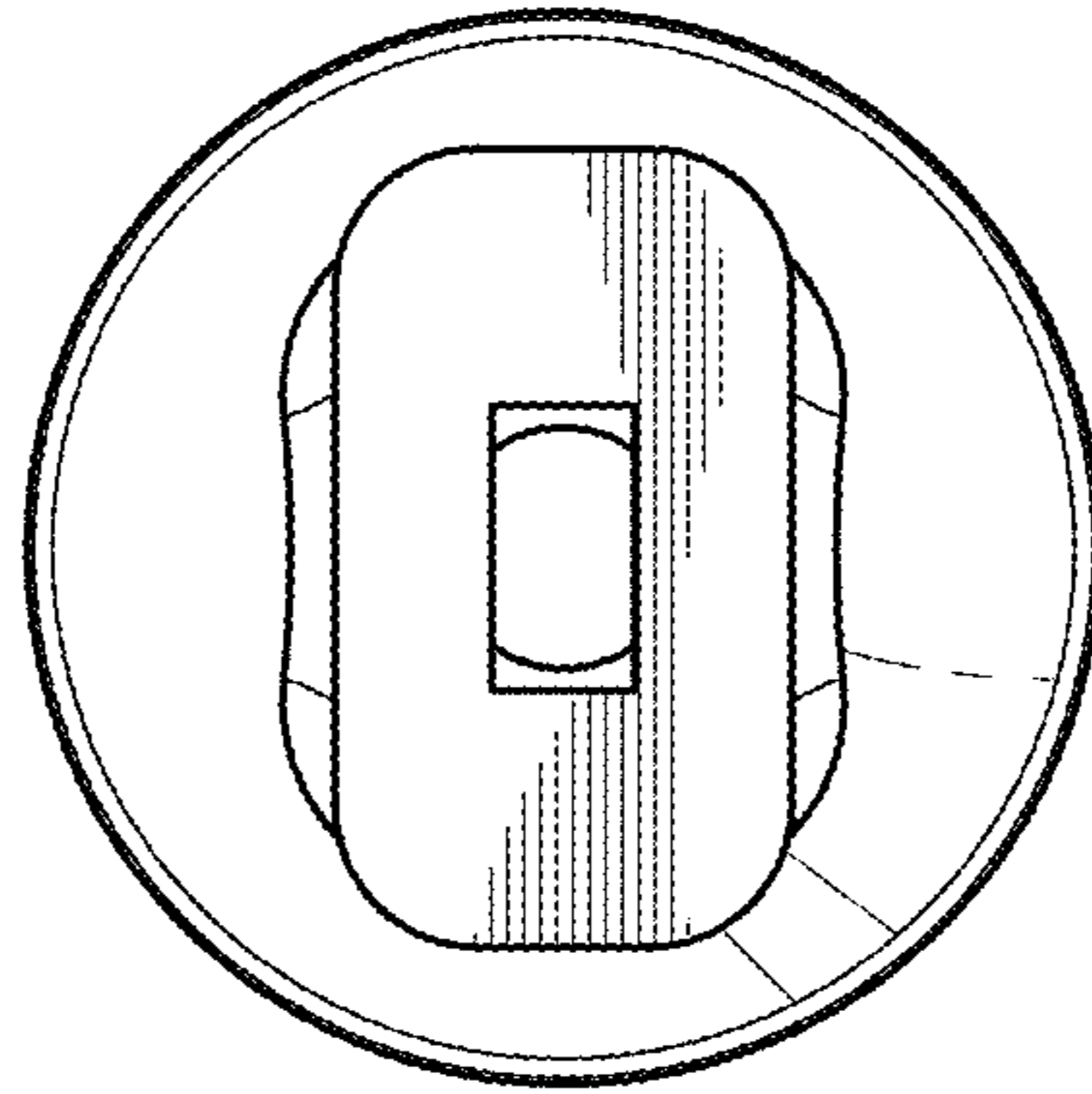


FIG. 5

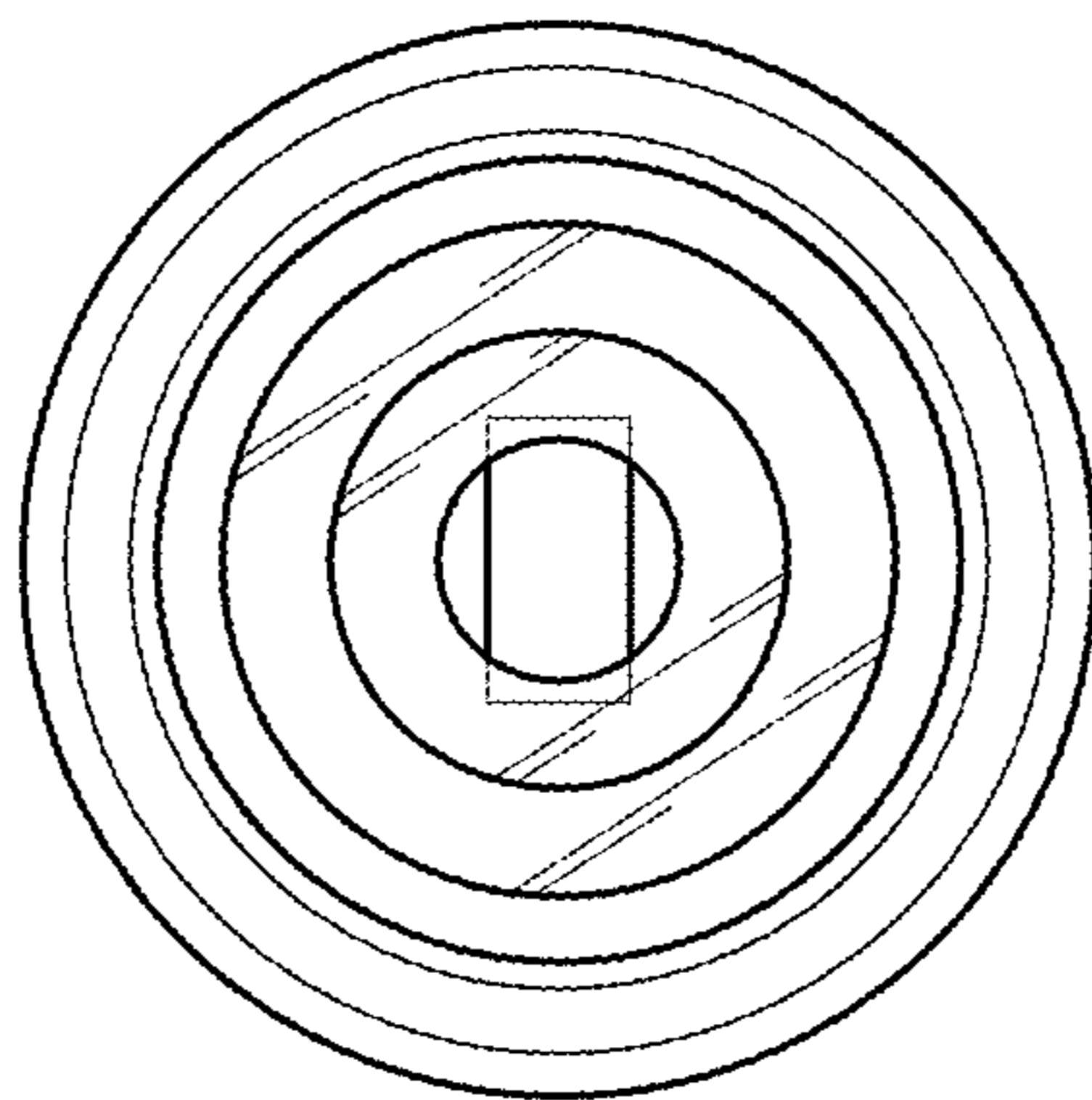


FIG. 6

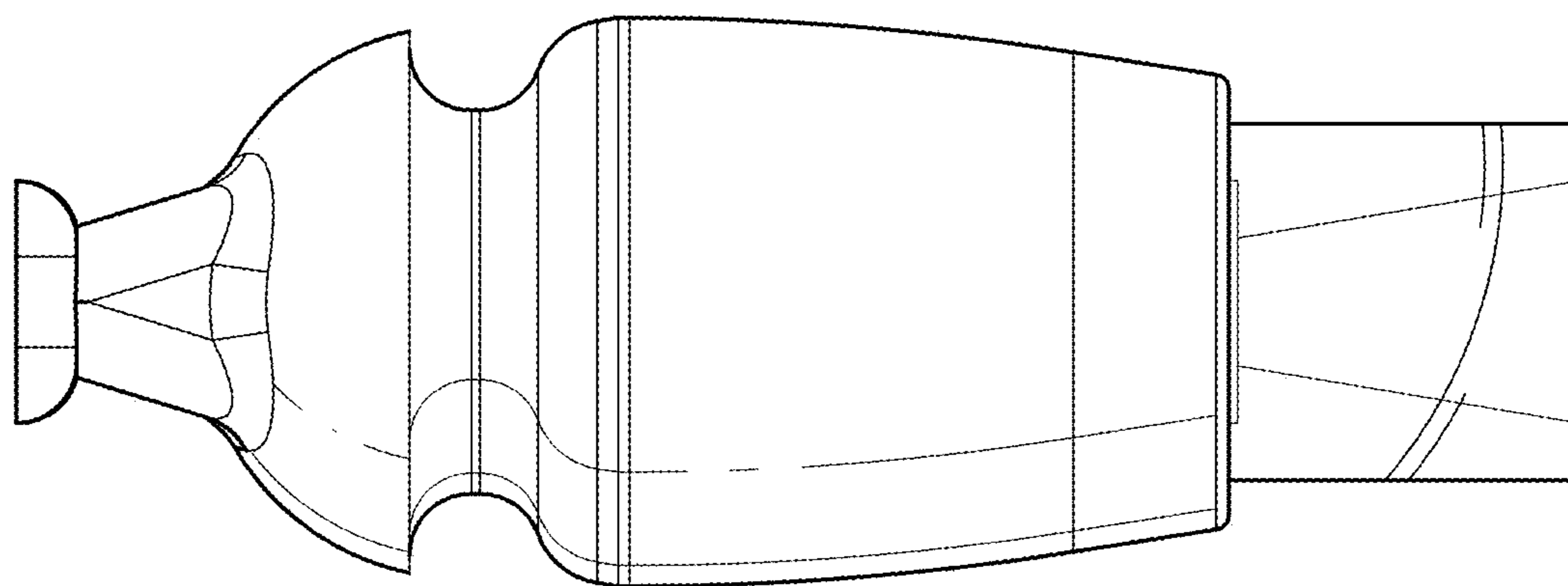


FIG. 7

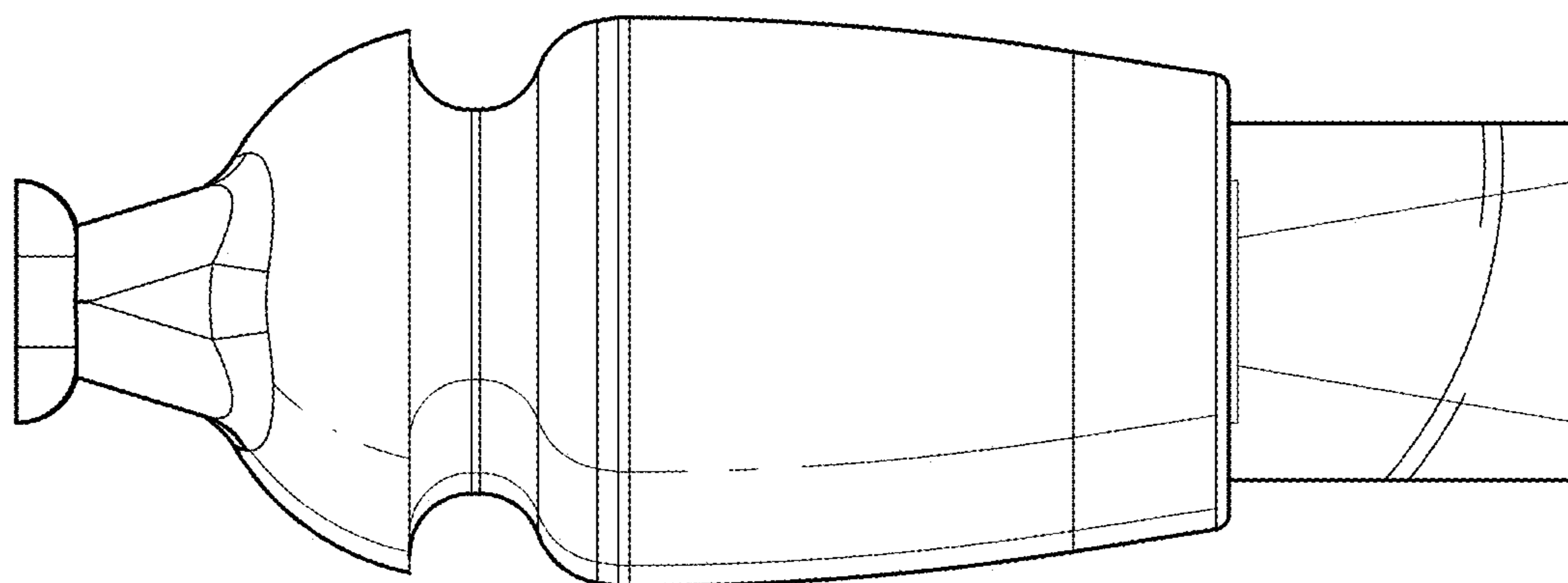


FIG. 8

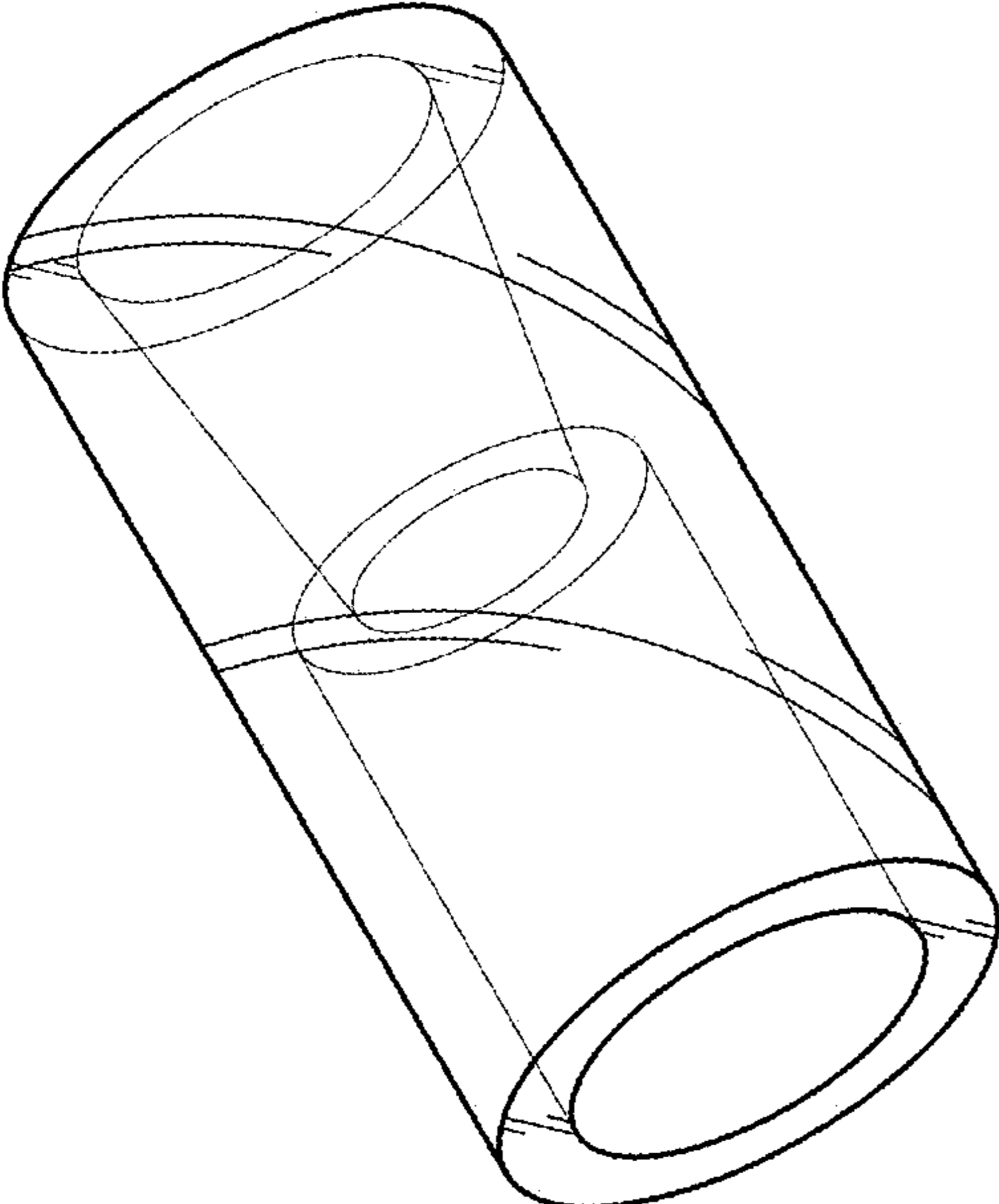
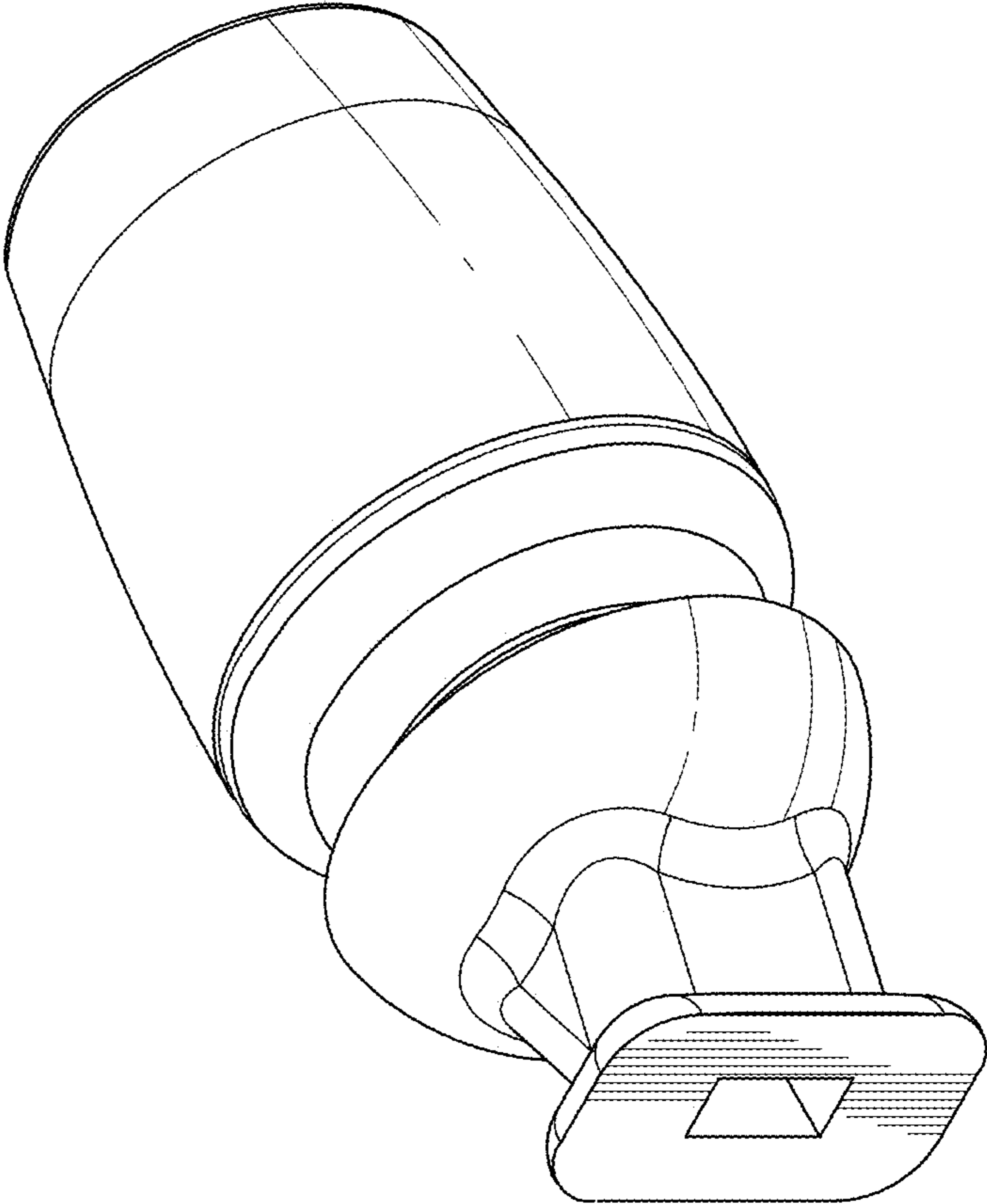


FIG. 9



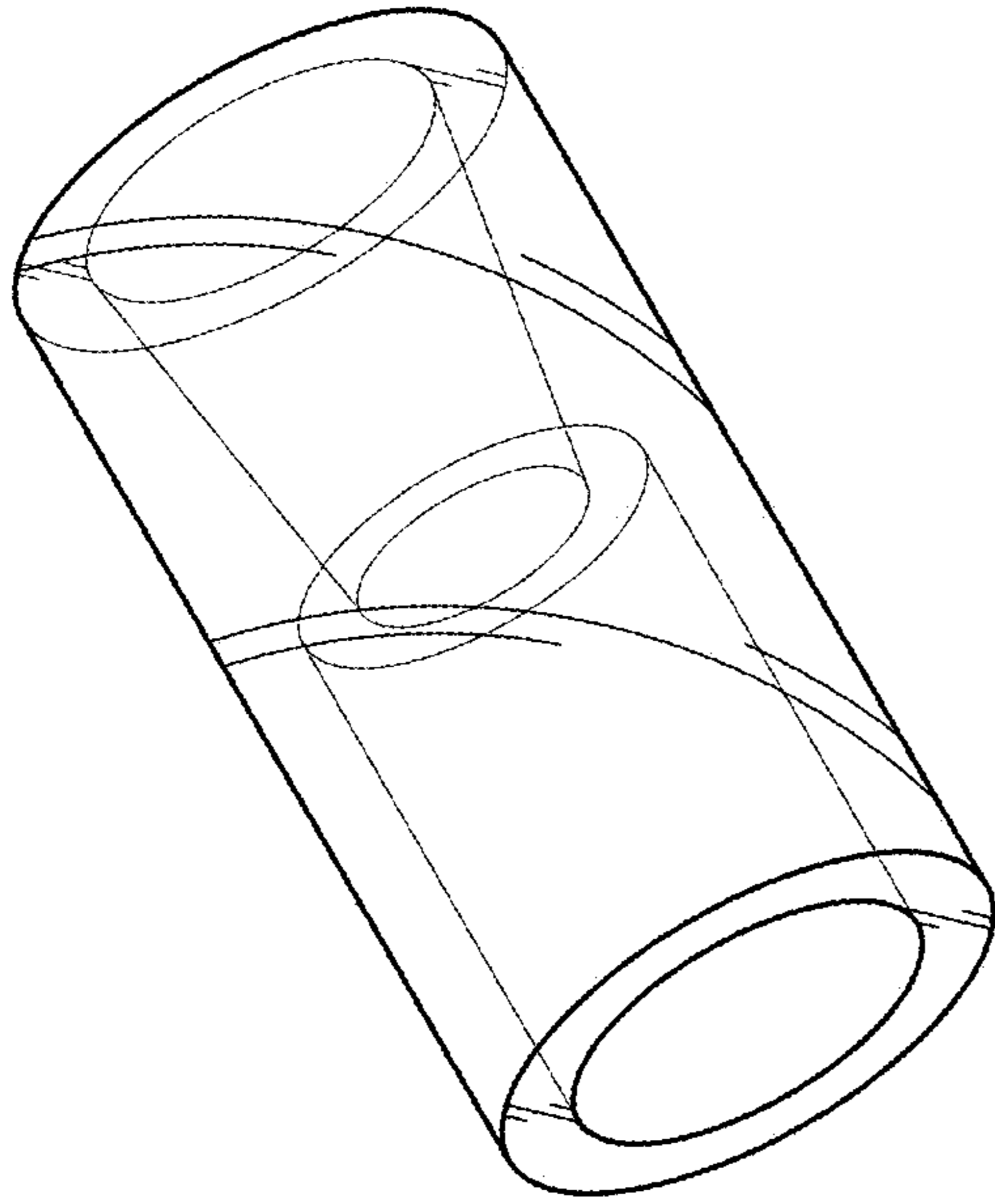


FIG. 10

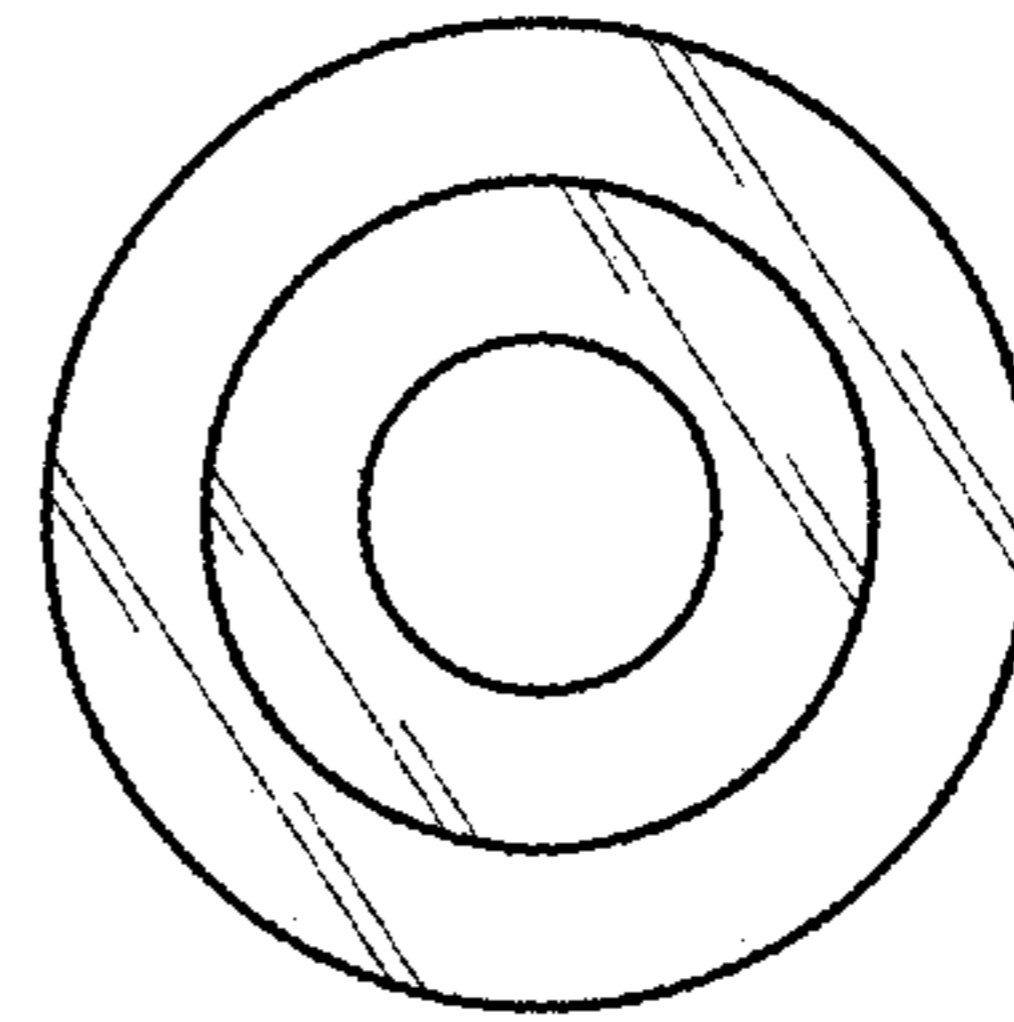


FIG. 11

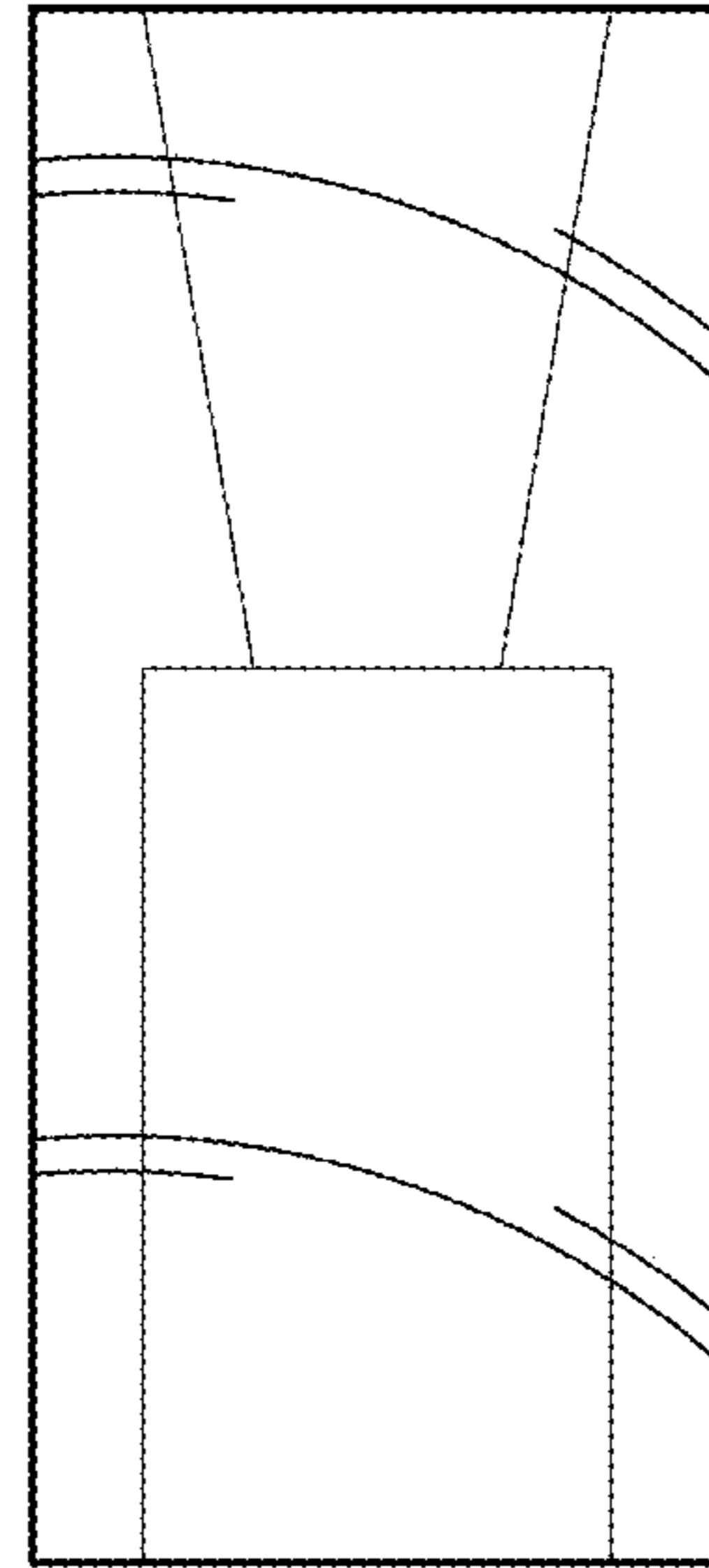


FIG. 12

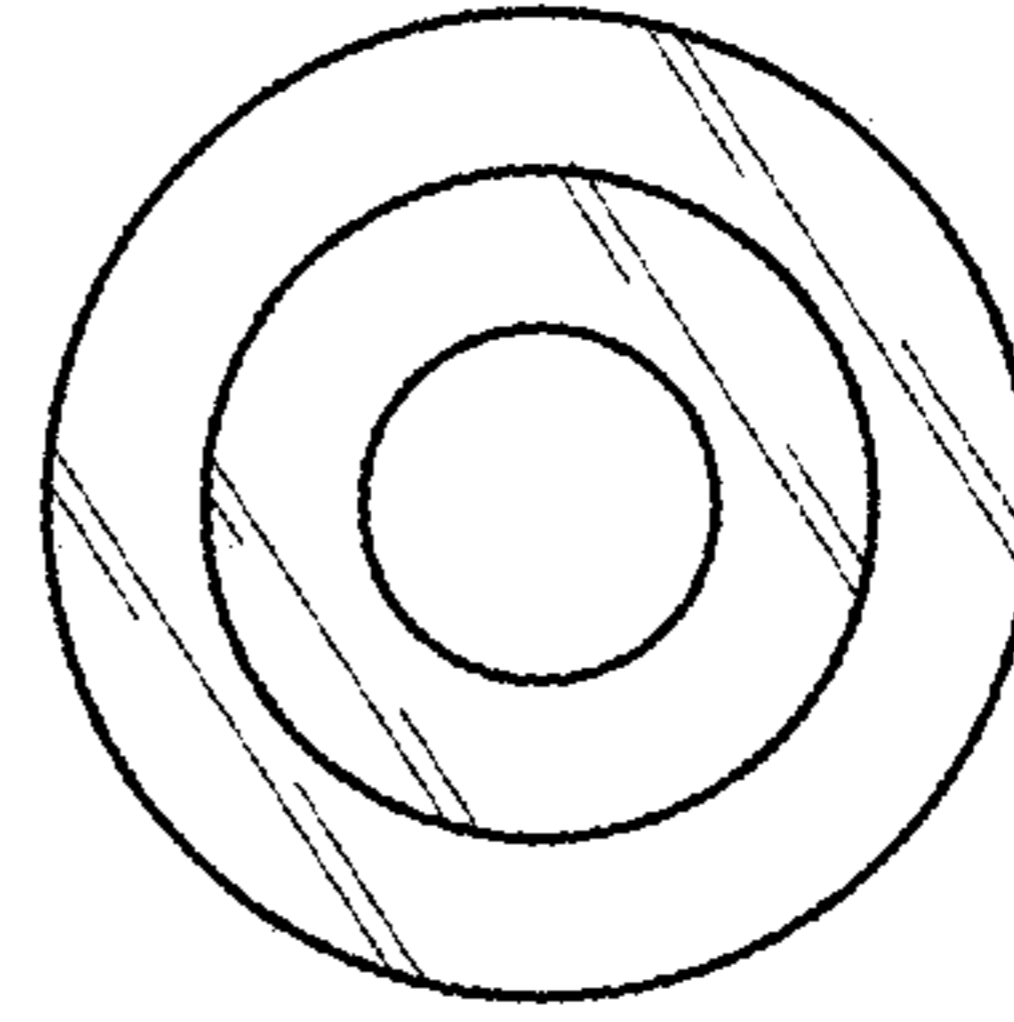


FIG. 13

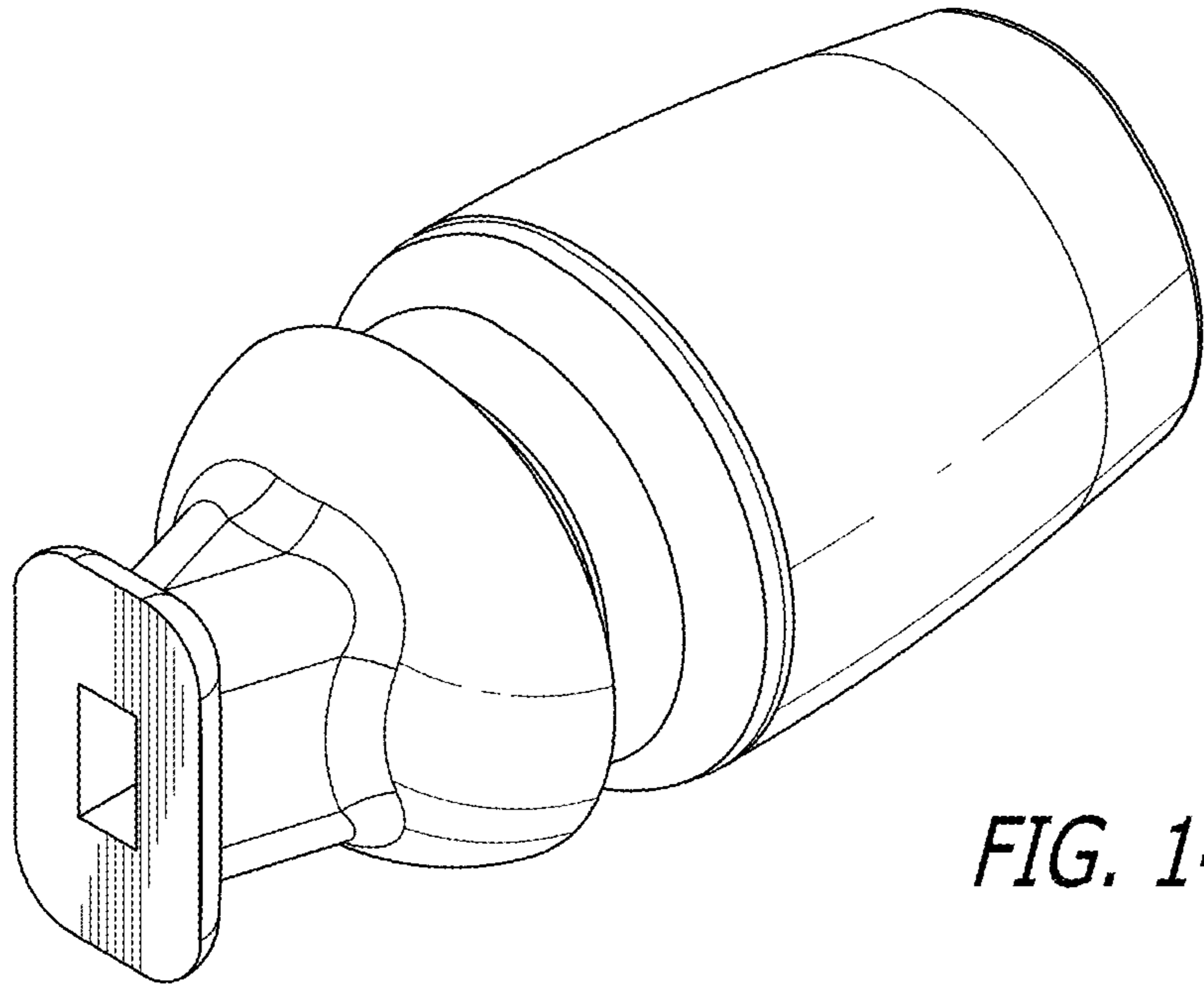


FIG. 14

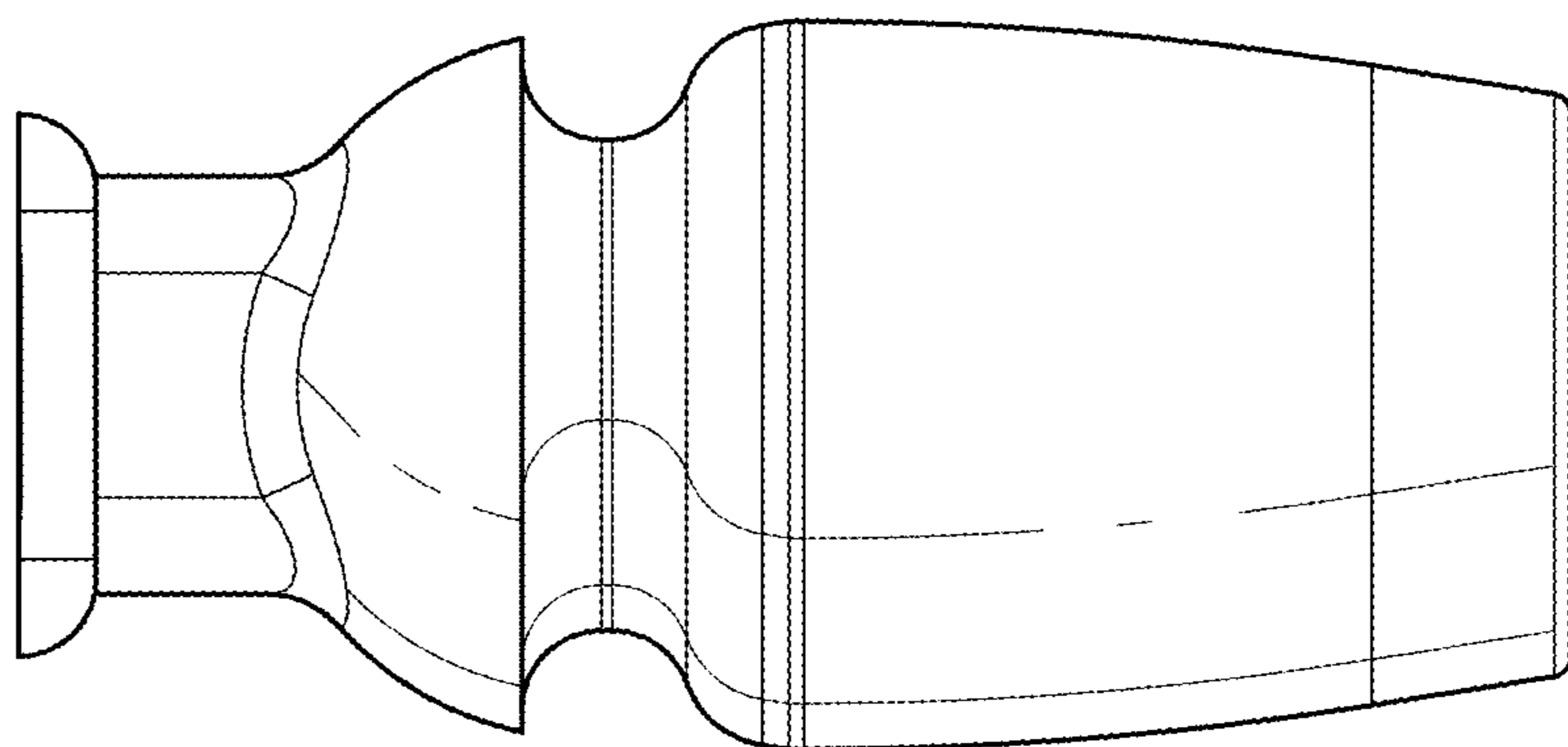


FIG. 15

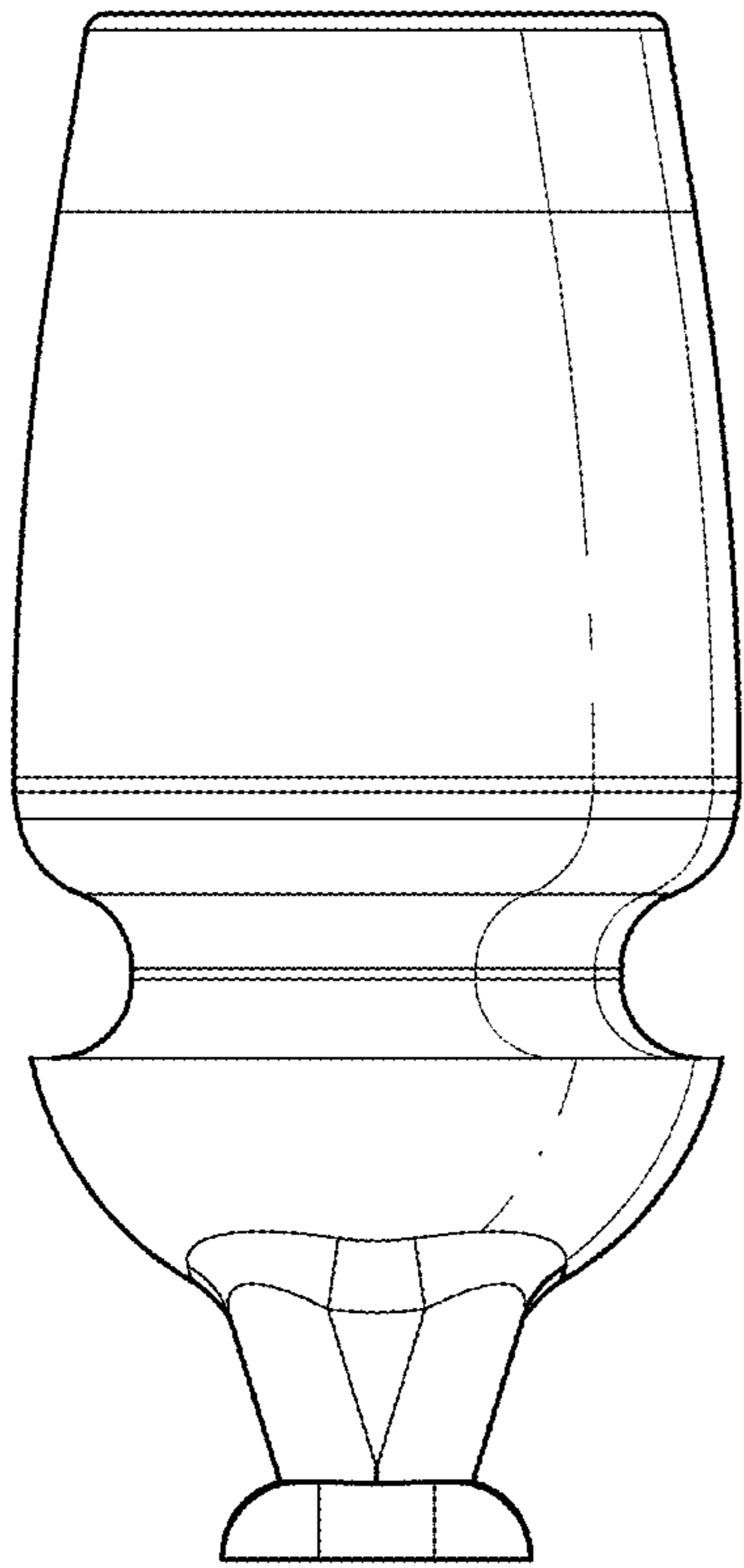


FIG. 16

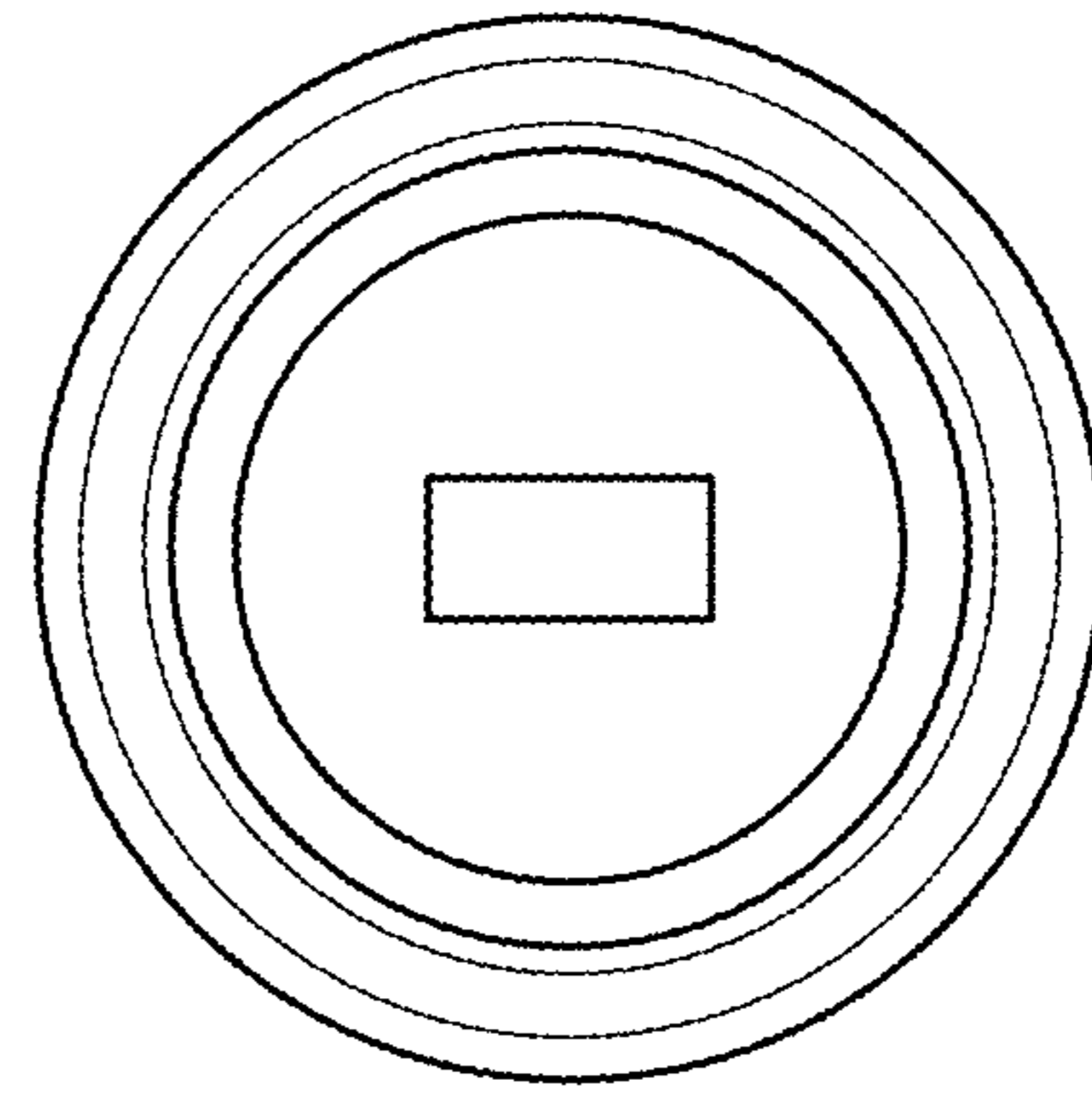


FIG. 18

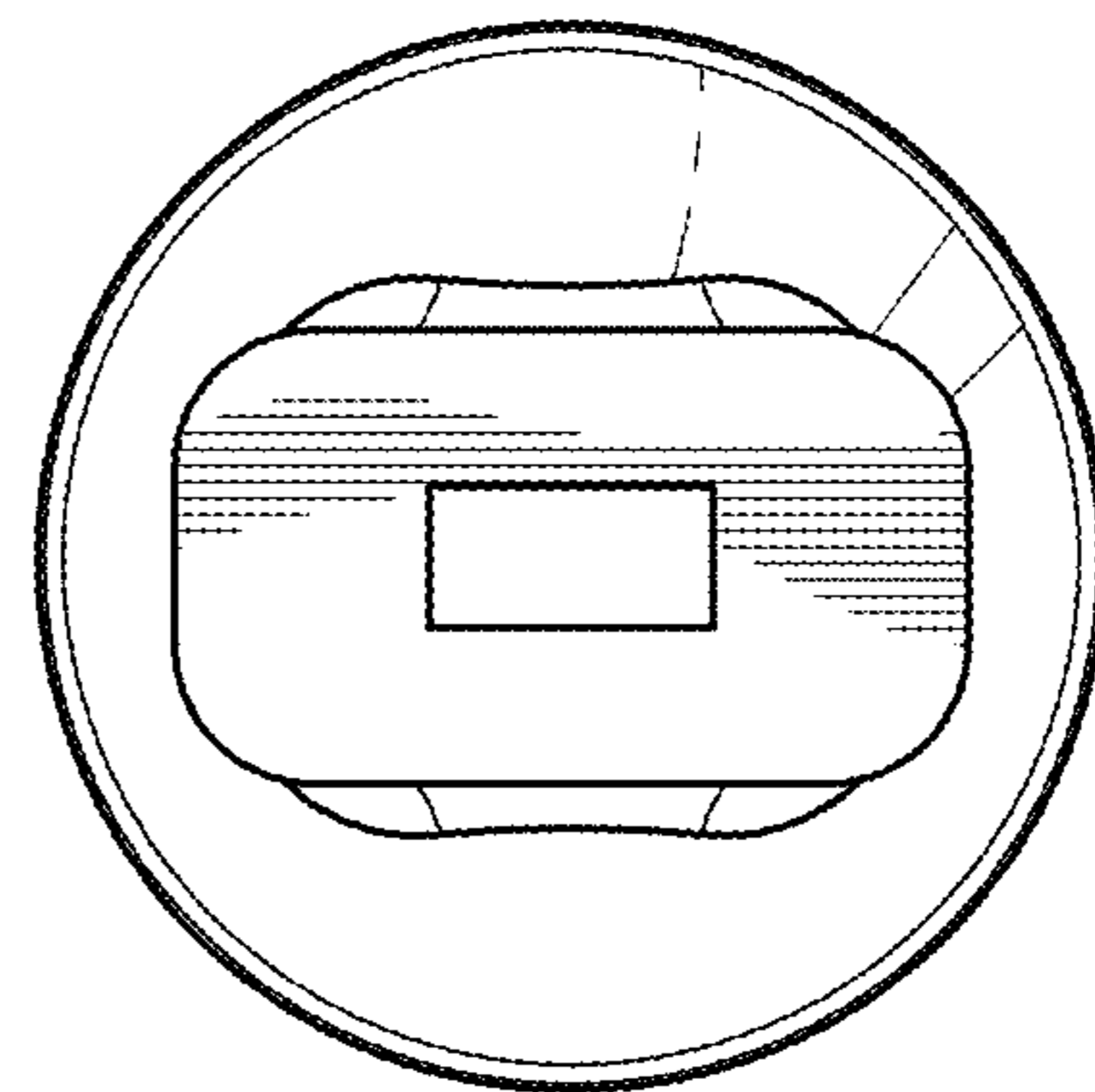


FIG. 17