



US00D938641S

(12) **United States Design Patent** (10) **Patent No.:** **US D938,641 S**
Liang (45) **Date of Patent:** **** Dec. 14, 2021**

(54) **SOLAR WALL LIGHT**
(71) Applicant: **Qinghui Liang**, Fujian (CN)
(72) Inventor: **Qinghui Liang**, Fujian (CN)
(**) Term: **15 Years**

D854,436 S * 7/2019 Morita D10/106.6
D862,266 S * 10/2019 Kondo D10/106.6
10,823,394 B1 * 11/2020 Hsu F21L 4/00
D906,853 S * 1/2021 Kang D10/114.1
D913,561 S * 3/2021 Yang D26/85
2016/0169743 A1 * 6/2016 Buckley G01J 5/08
250/338.3

(21) Appl. No.: **29/629,353**
(22) Filed: **Dec. 13, 2017**
(51) **LOC (13) Cl.** **26-03**
(52) **U.S. Cl.**
USPC **D26/85**
(58) **Field of Classification Search**
USPC D26/85, 87, 92; D10/106.6, 106.8
CPC F21S 8/03; F21S 8/033; F21S 8/036; F21S
9/037; F21W 2131/107; F21W 2121/004;
F21W 2111/023
See application file for complete search history.

FOREIGN PATENT DOCUMENTS

DE 202020101357 U1 * 3/2020 F21V 23/0471

OTHER PUBLICATIONS

Gama Sonic Solar Coach 1-Light Black Outdoor Wall Lantern
Sconce-GS-1B-B—The Home Depot, homedepot.com visited Sep.
27, 2019. (Year: 2019).*

* cited by examiner

Primary Examiner — Clare E Heflin

(57) **CLAIM**

The ornamental design for a solar wall light, as shown and described.

(56) **References Cited**

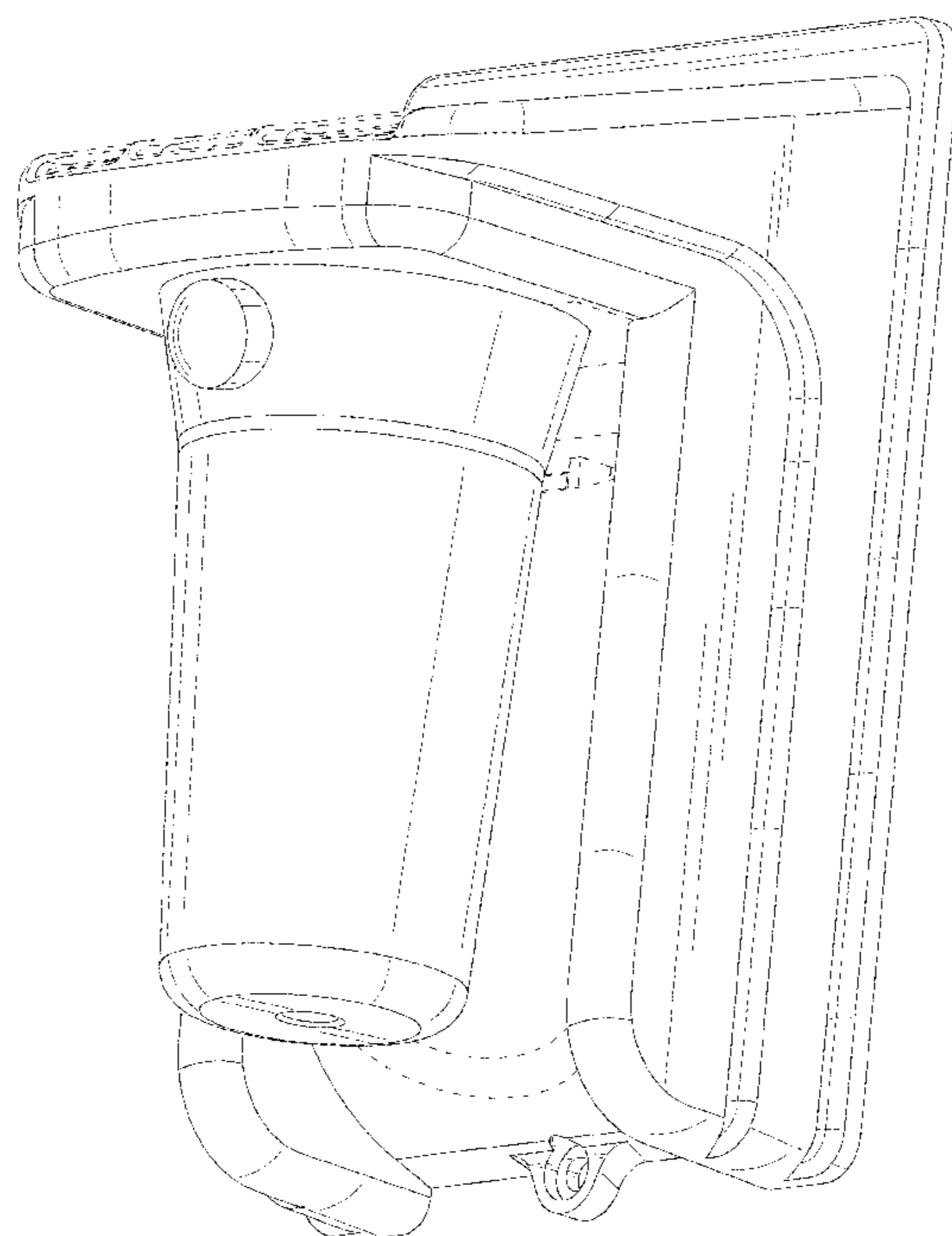
U.S. PATENT DOCUMENTS

D197,530 S * 2/1964 Jaffe, Jr. et al. D26/85
D202,803 S * 11/1965 Wince D26/85
D206,019 S * 10/1966 Walz D26/87
3,539,795 A * 11/1970 Hawley F21V 17/00
362/263
4,398,239 A * 8/1983 de Vos F21S 8/086
362/145
4,559,587 A * 12/1985 Quiogue F21S 8/033
362/147
D294,871 S * 3/1988 Ewing D26/85
D339,079 S * 9/1993 Behlke D10/106.6
D383,078 S * 9/1997 Carmi D10/106.6
D485,774 S * 1/2004 Hwang D10/106.6
D795,108 S * 8/2017 Kondo D10/70
D800,943 S * 10/2017 Shundong D26/85

DESCRIPTION

FIG. 1 is a front elevational view of a solar wall light showing my new design;
FIG. 2 is a rear elevational view thereof;
FIG. 3 is a left side view thereof;
FIG. 4 is a right side view thereof;
FIG. 5 is a top plan view thereof;
FIG. 6 is a bottom plan view thereof; and,
FIG. 7 is a perspective view thereof.
The broken lines show portions of the solar wall light that form no part of the claimed design.

1 Claim, 7 Drawing Sheets



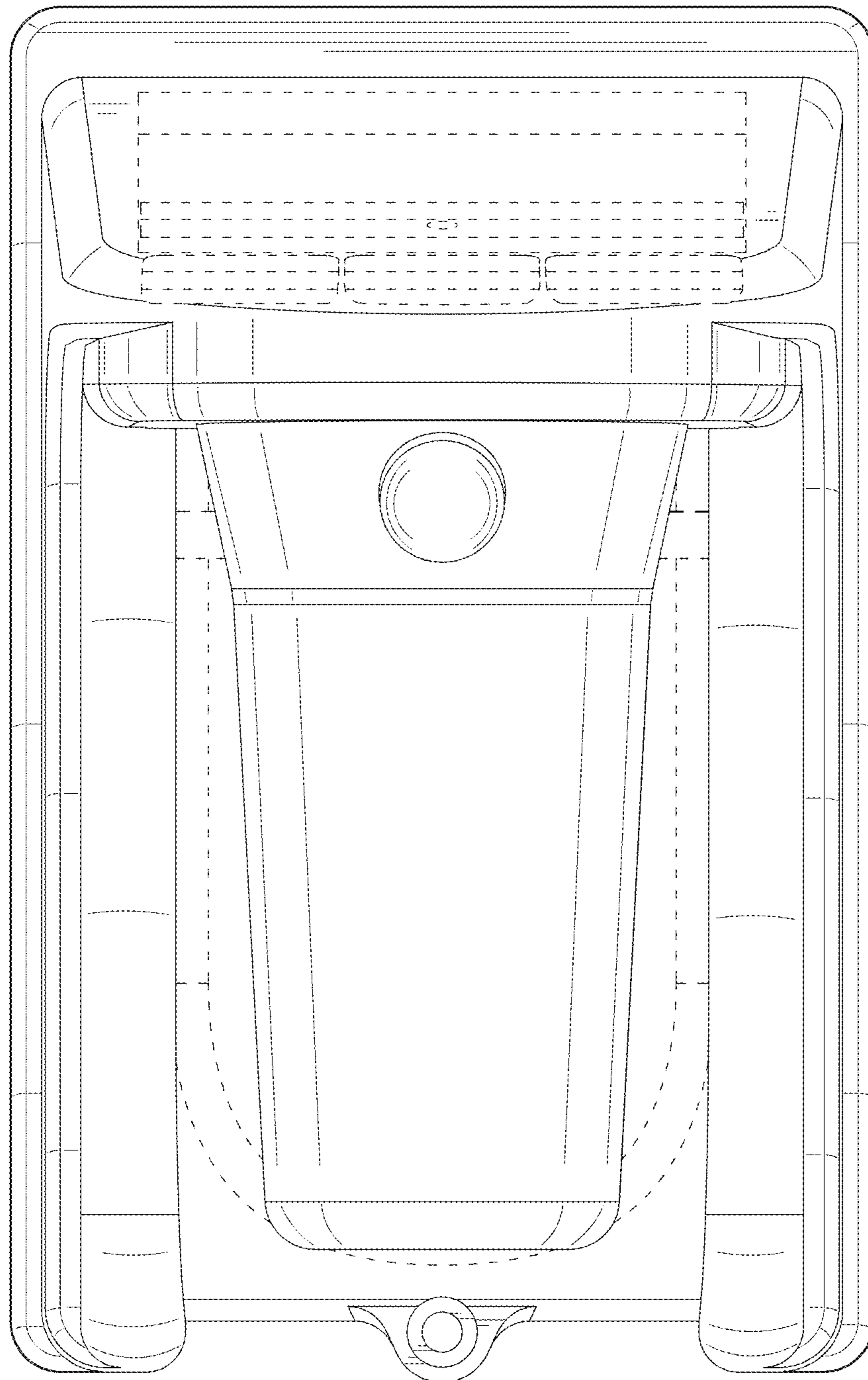


FIG. 1

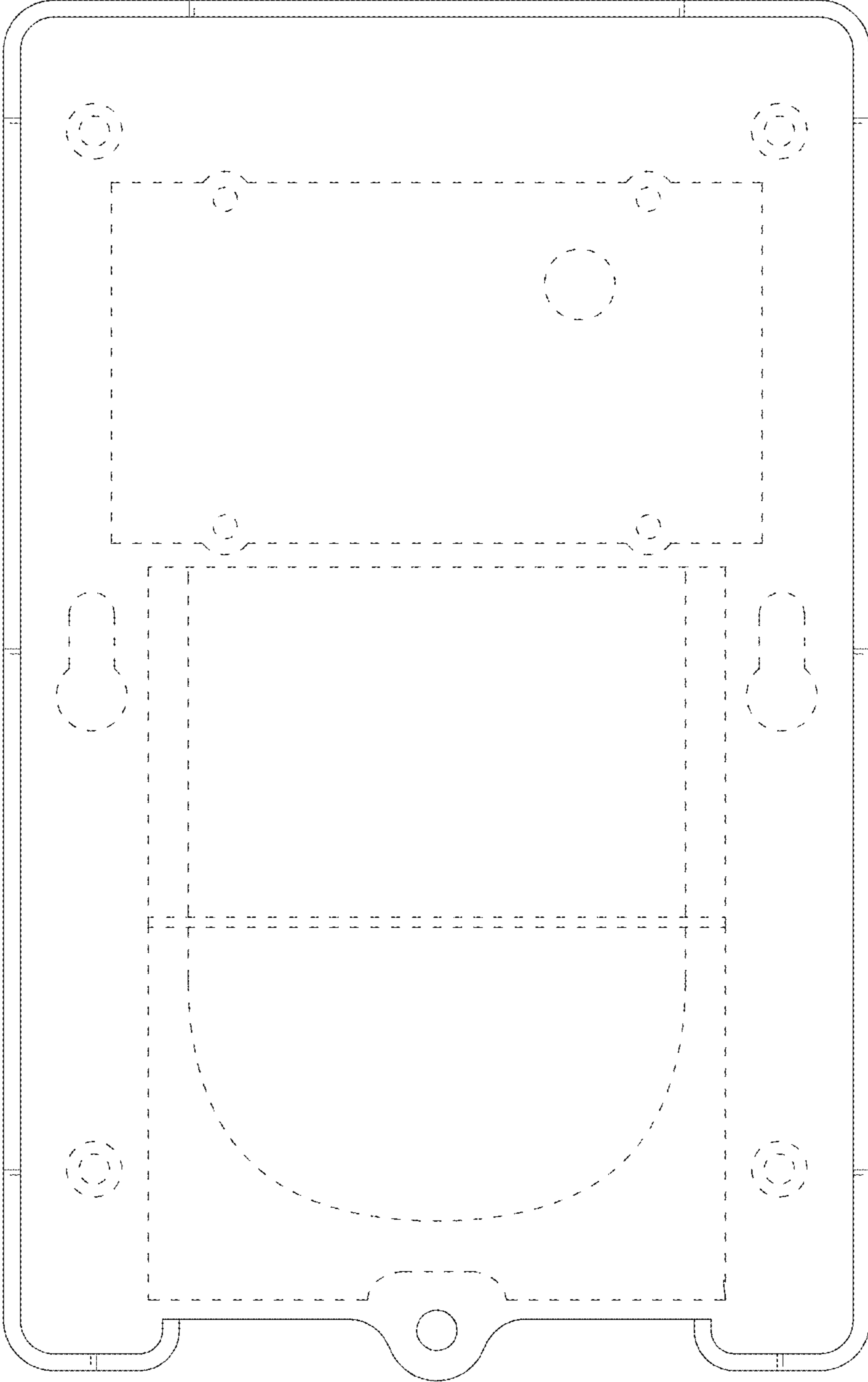


FIG. 2

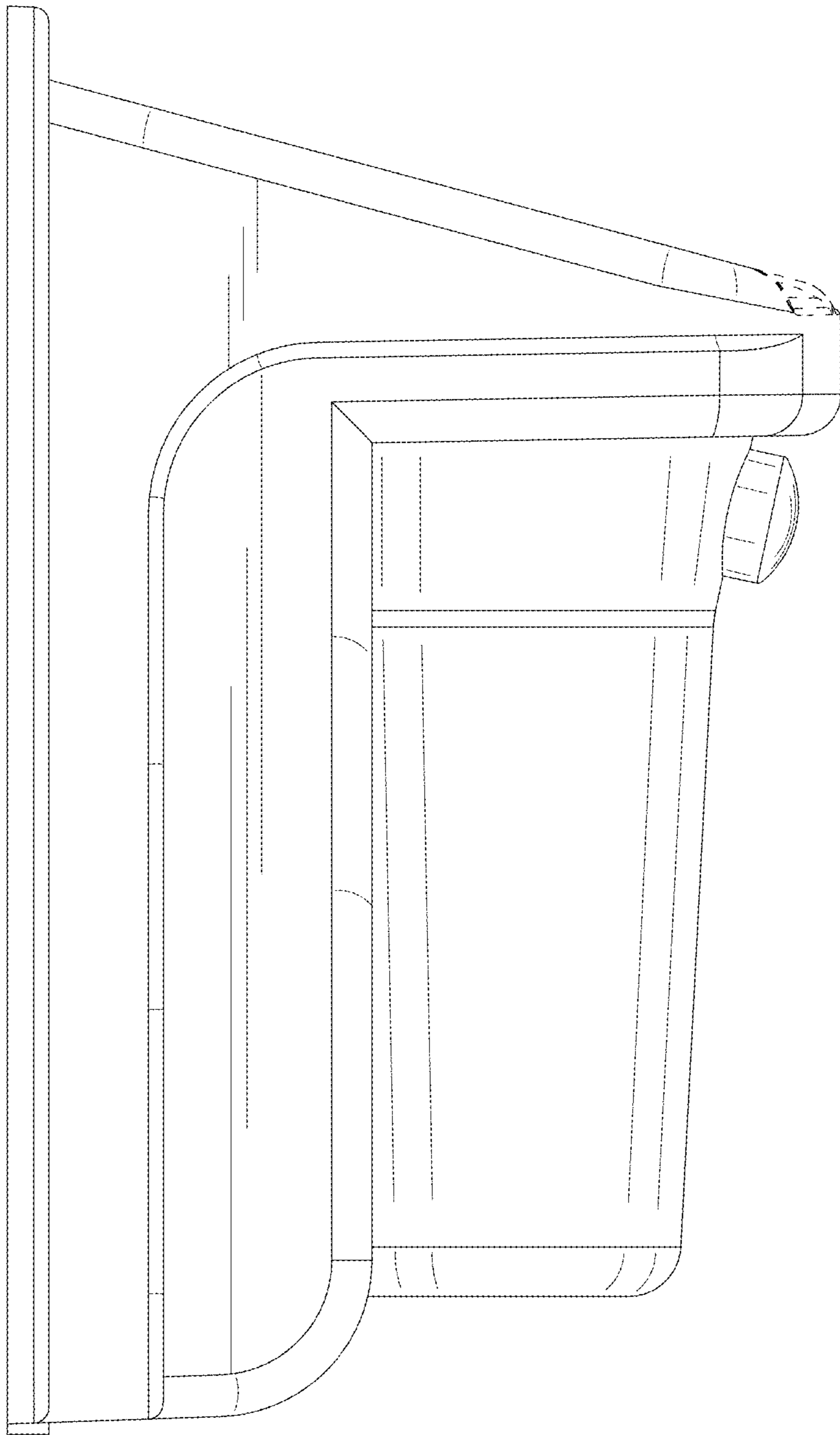


FIG. 3

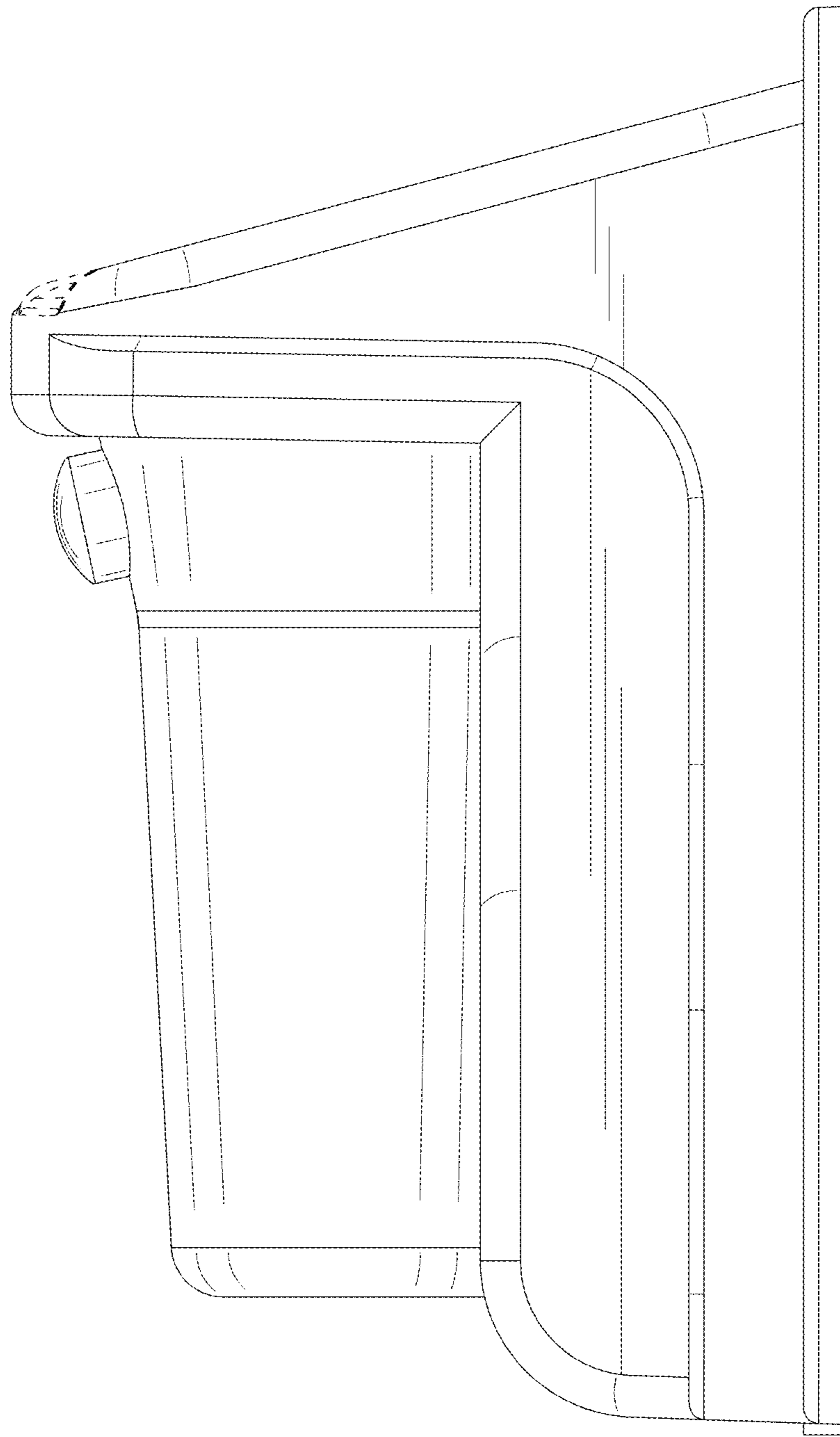


FIG. 4

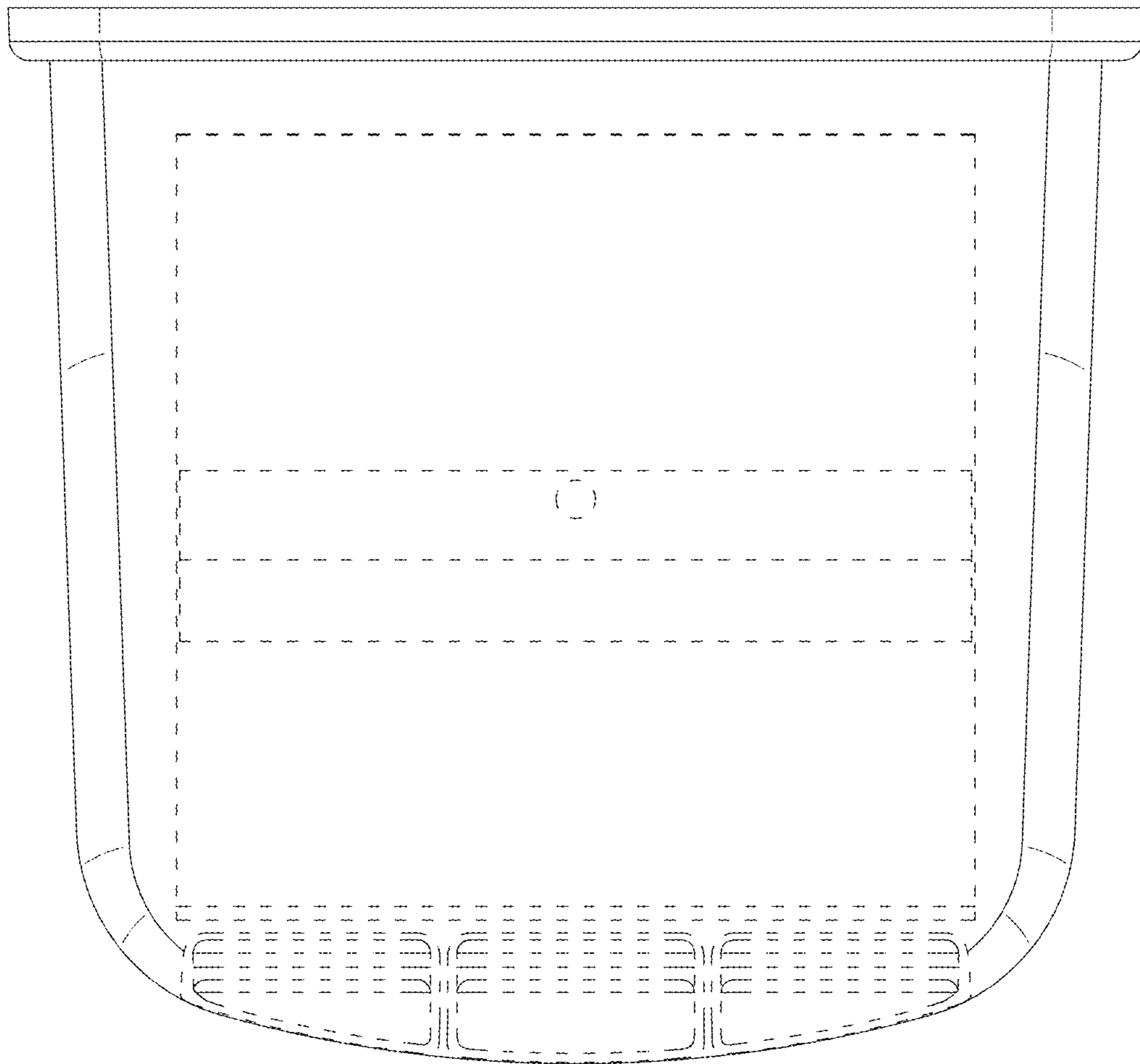


FIG. 5

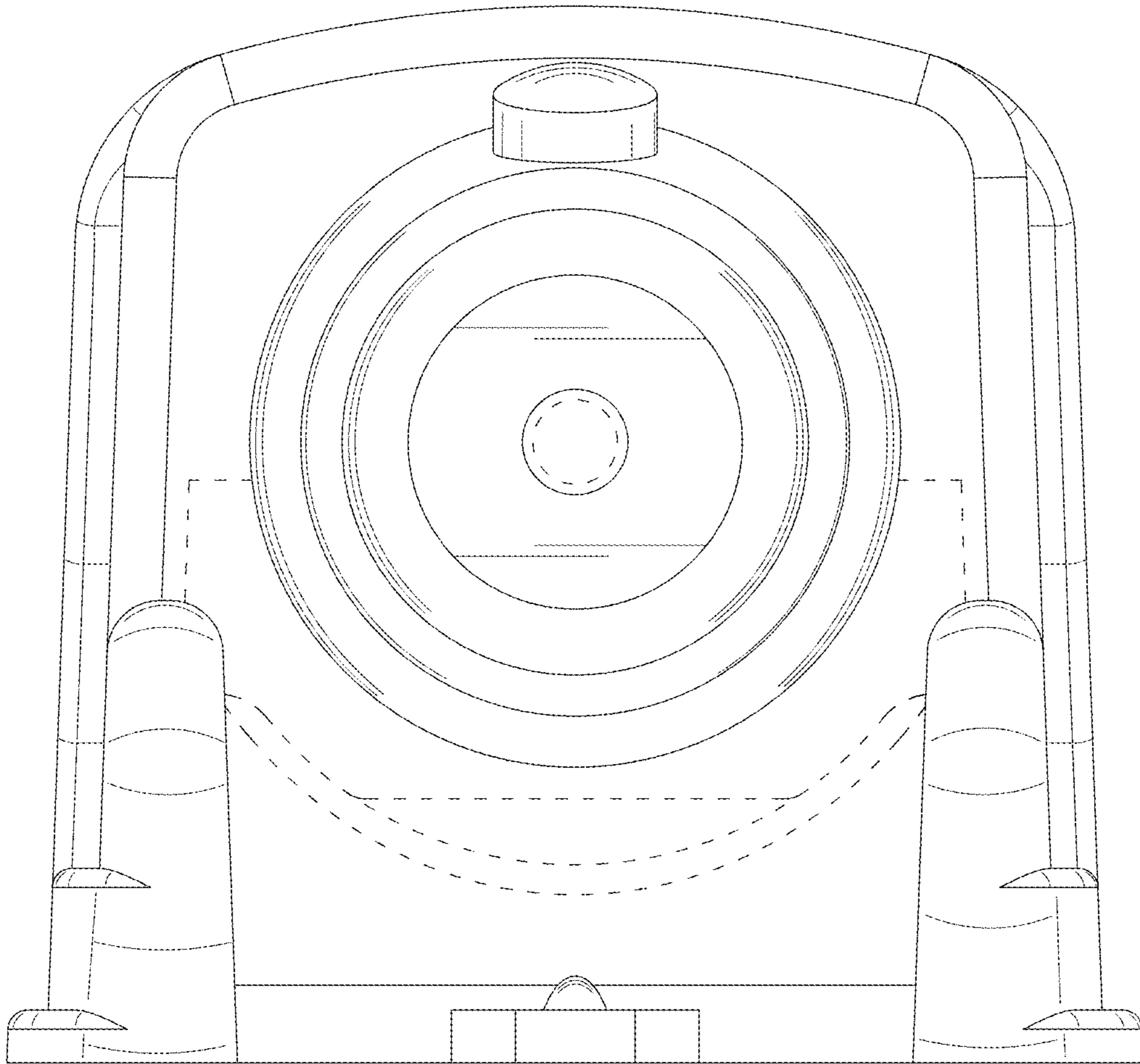


FIG. 6

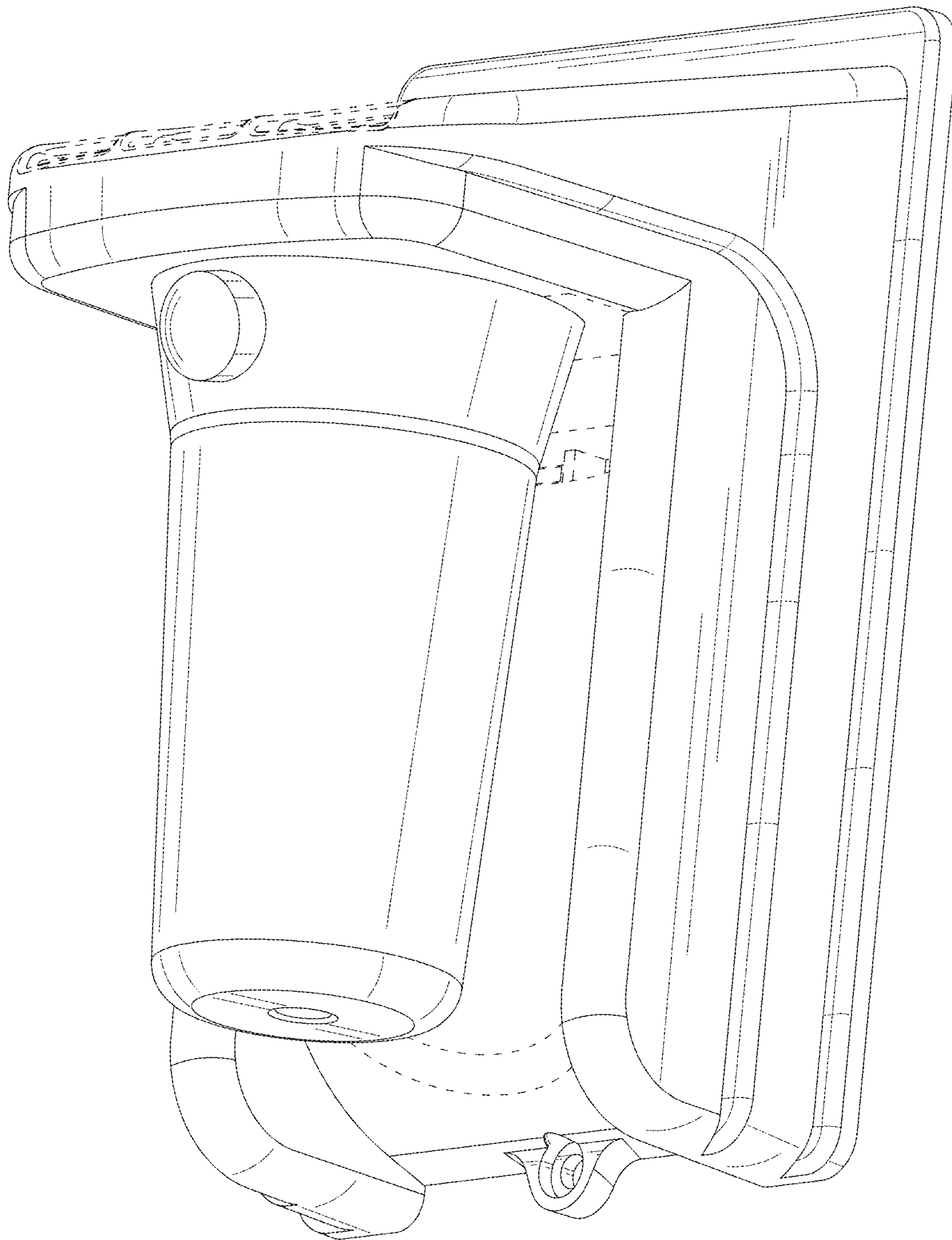


FIG. 7