



US00D938638S

(12) **United States Design Patent**  
**Chen**

(10) **Patent No.:** **US D938,638 S**

(45) **Date of Patent:** **\*\* Dec. 14, 2021**

(54) **SOLAR LIGHT**

D875,992 S \* 2/2020 Khubani ..... D26/85  
D879,352 S \* 3/2020 Liu ..... D26/85  
D893,075 S \* 8/2020 Kong ..... D26/72

(71) Applicant: **Zhimin Chen**, Shantou (CN)

(72) Inventor: **Zhimin Chen**, Shantou (CN)

(\*\*) Term: **15 Years**

(21) Appl. No.: **29/728,175**

(22) Filed: **Mar. 17, 2020**

(51) **LOC (13) Cl.** ..... **26-05**

(52) **U.S. Cl.**  
USPC ..... **D26/72; D26/85**

(58) **Field of Classification Search**  
USPC ..... D26/72, 85, 92; D10/106.6, 106.8  
CPC .... F21S 8/03; F21S 8/033; F21S 8/036; F21S  
8/037; F21S 9/022; F21S 9/024; F21S  
9/03; F21S 9/035; F21S 9/037; F21W  
2131/107; G08B 13/193

See application file for complete search history.

(56) **References Cited**

**U.S. PATENT DOCUMENTS**

D791,994 S \* 7/2017 Liu ..... D26/72  
D805,236 S \* 12/2017 Exley ..... D26/85  
D811,644 S \* 2/2018 Hou ..... D26/85  
D843,631 S \* 3/2019 Wen ..... D26/85  
D846,177 S \* 4/2019 Wen ..... D26/85  
D848,049 S \* 5/2019 Hu ..... D26/85  
D864,459 S \* 10/2019 Pan ..... D26/85  
D875,991 S \* 2/2020 Wan ..... D26/85

**OTHER PUBLICATIONS**

Solar Wall Lights sold by theNEWorld, Item Model No. Fbanesl, ASIN: B08MZLSY2K, available at amazon.com Nov. 9, 2020. (Year: 2020).\*

BANRAL Outdoor Solar Lights, ASIN: B08PVDFKQ1 available at amazon.com Dec. 7, 2020. (Year: 2020).\*

JHBOX Outdoor Solar Lights ASIN: B094ZFQLRC available at amazon.com May 15, 2021. (Year: 2021).\*

\* cited by examiner

*Primary Examiner* — Clare E Hefflin

(57) **CLAIM**

The ornamental design for a solar light, as shown and described.

**DESCRIPTION**

FIG. 1 is a front perspective view of the solar light showing my new design;

FIG. 2 is a rear perspective view thereof;

FIG. 3 is a front elevational view thereof;

FIG. 4 is a rear elevational view thereof;

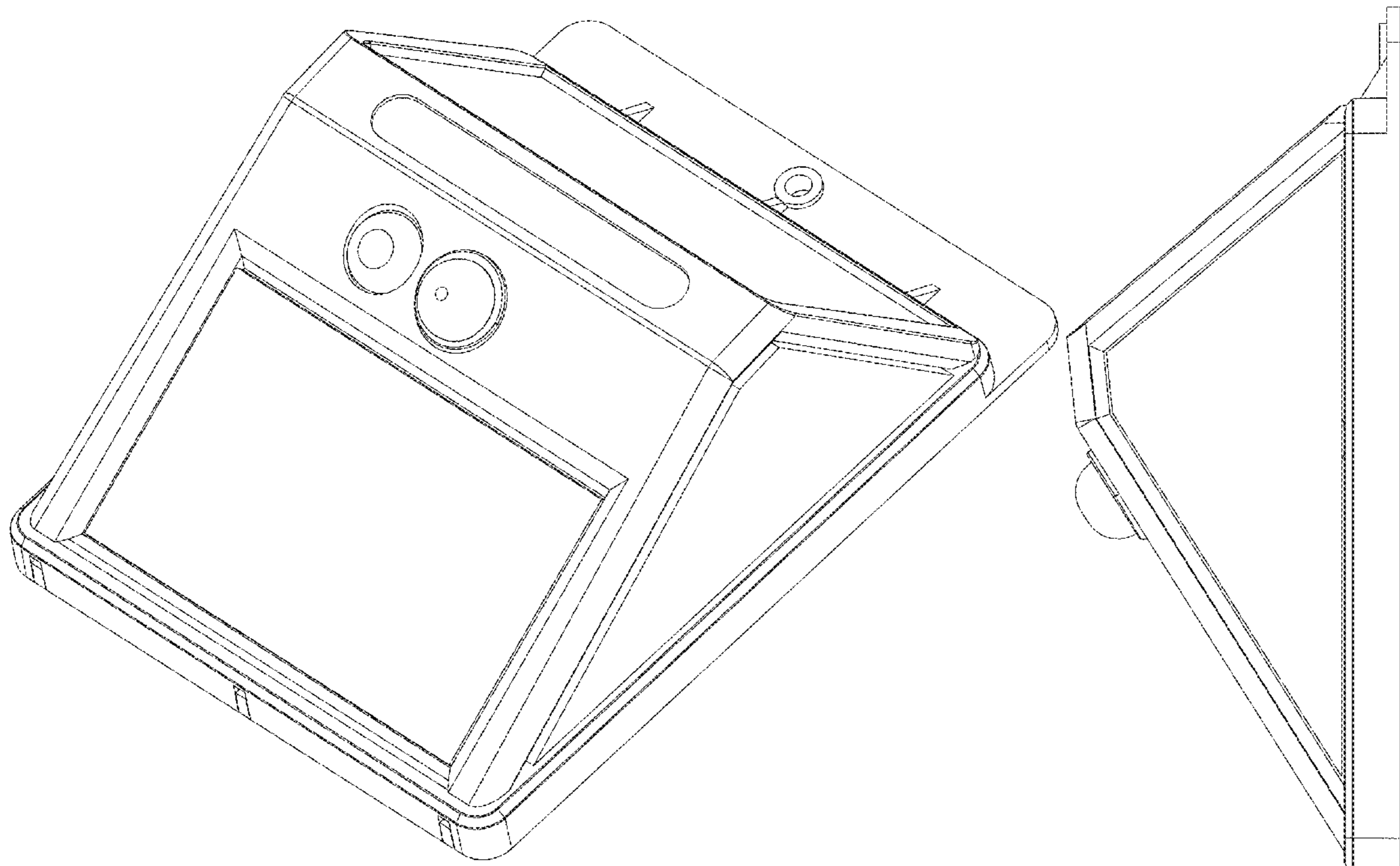
FIG. 5 is a left side elevational view thereof;

FIG. 6 is a right side elevational view thereof;

FIG. 7 is a top plan view thereof; and,

FIG. 8 is a bottom plan view thereof.

**1 Claim, 8 Drawing Sheets**



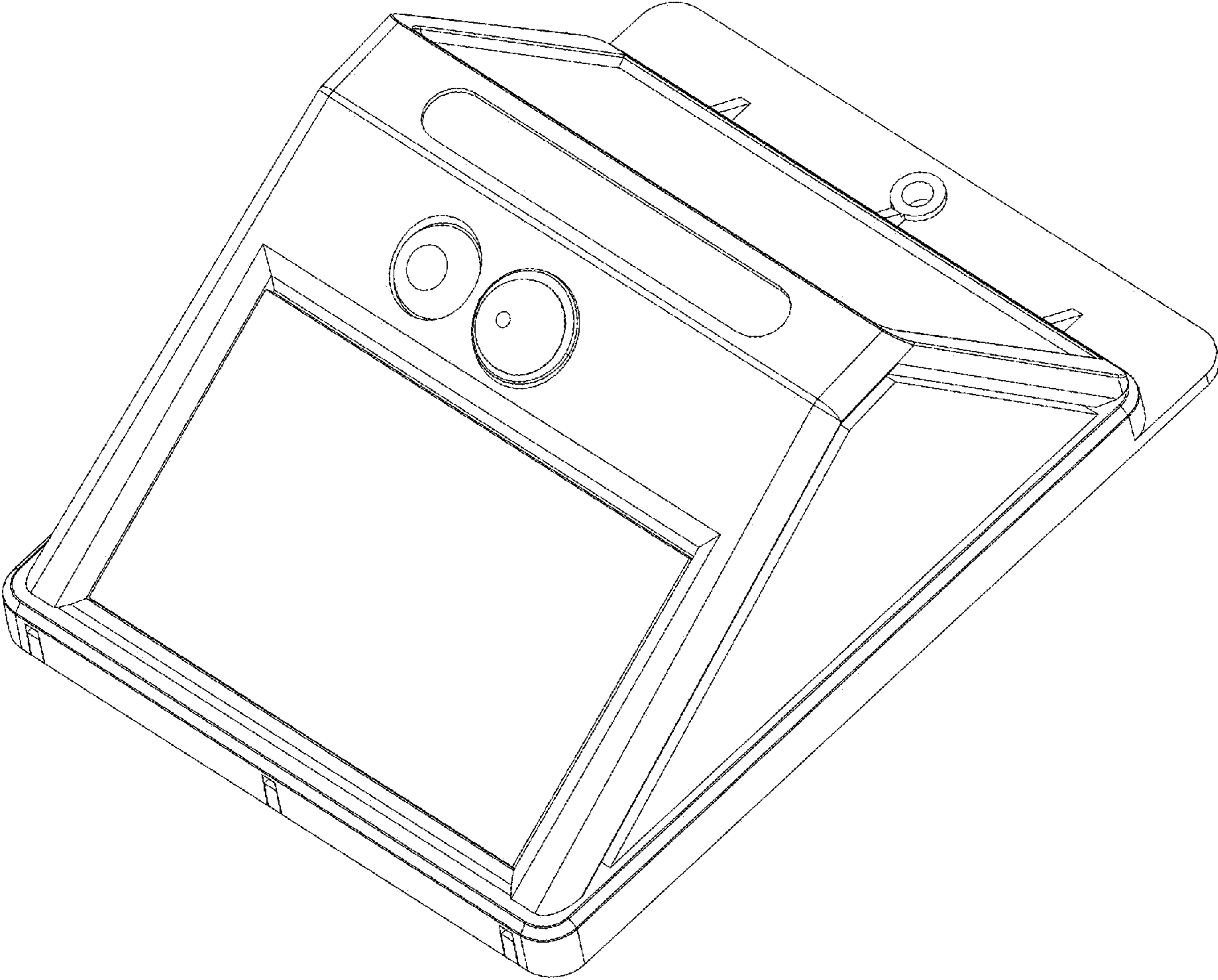


FIG. 1

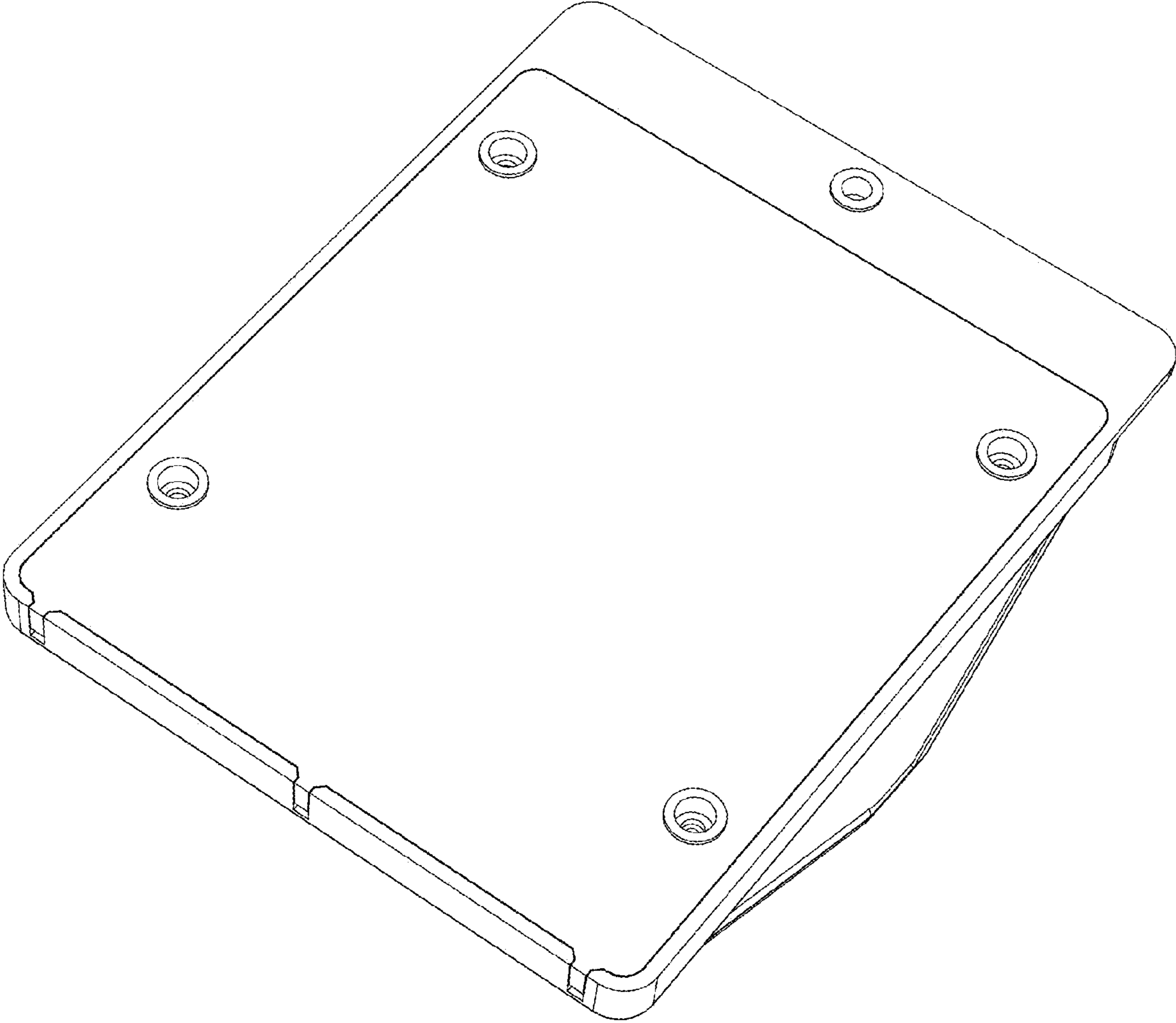


FIG. 2

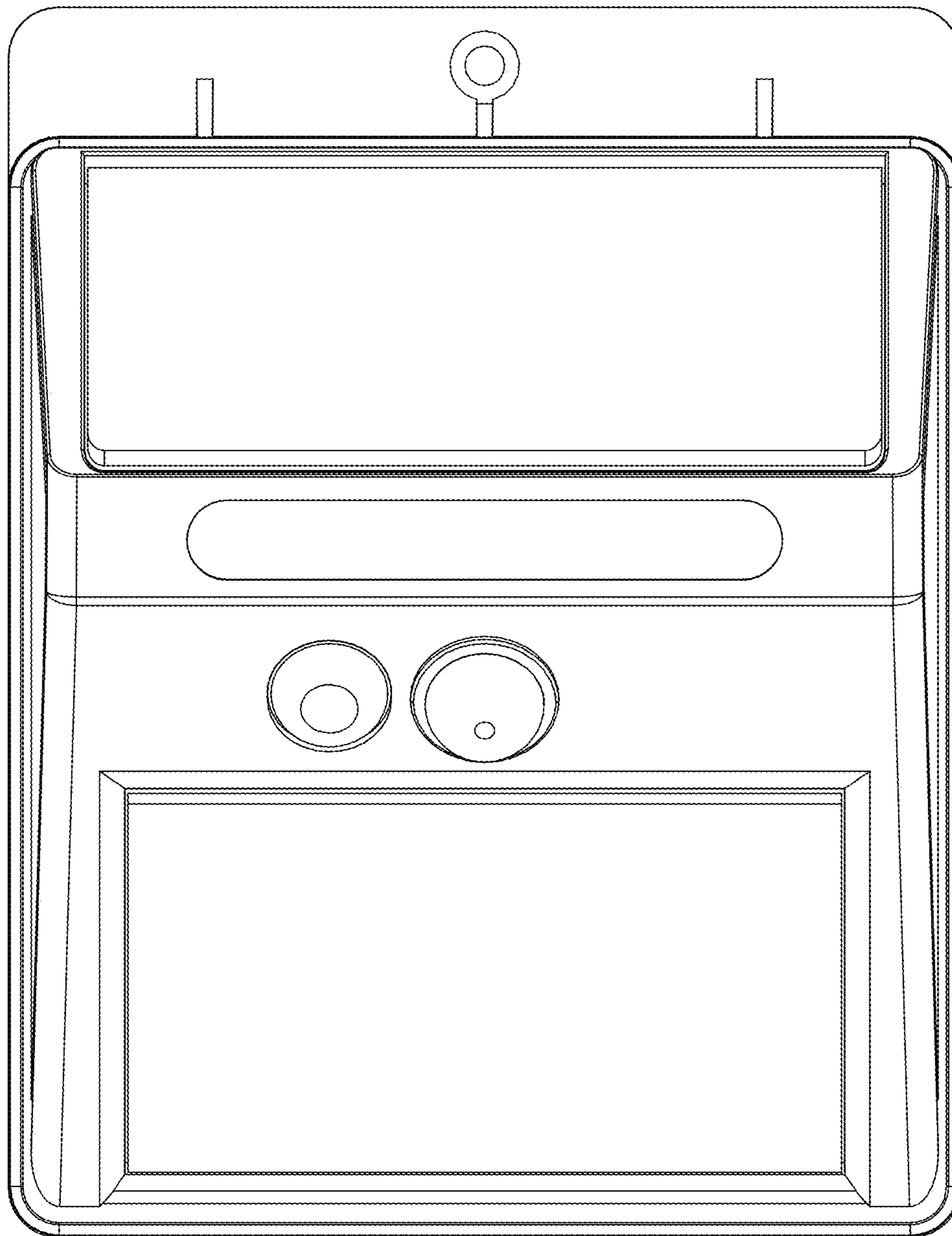


FIG. 3

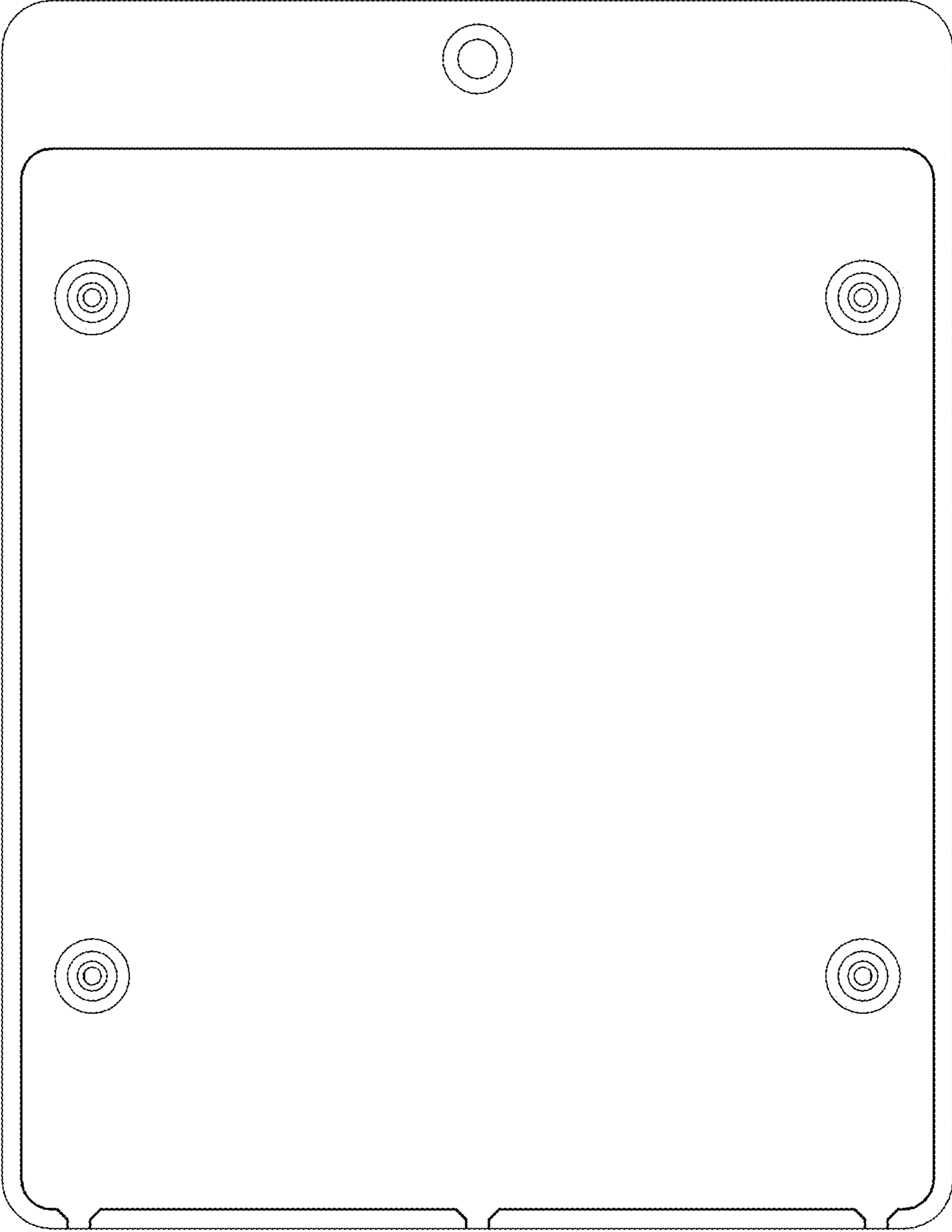


FIG. 4

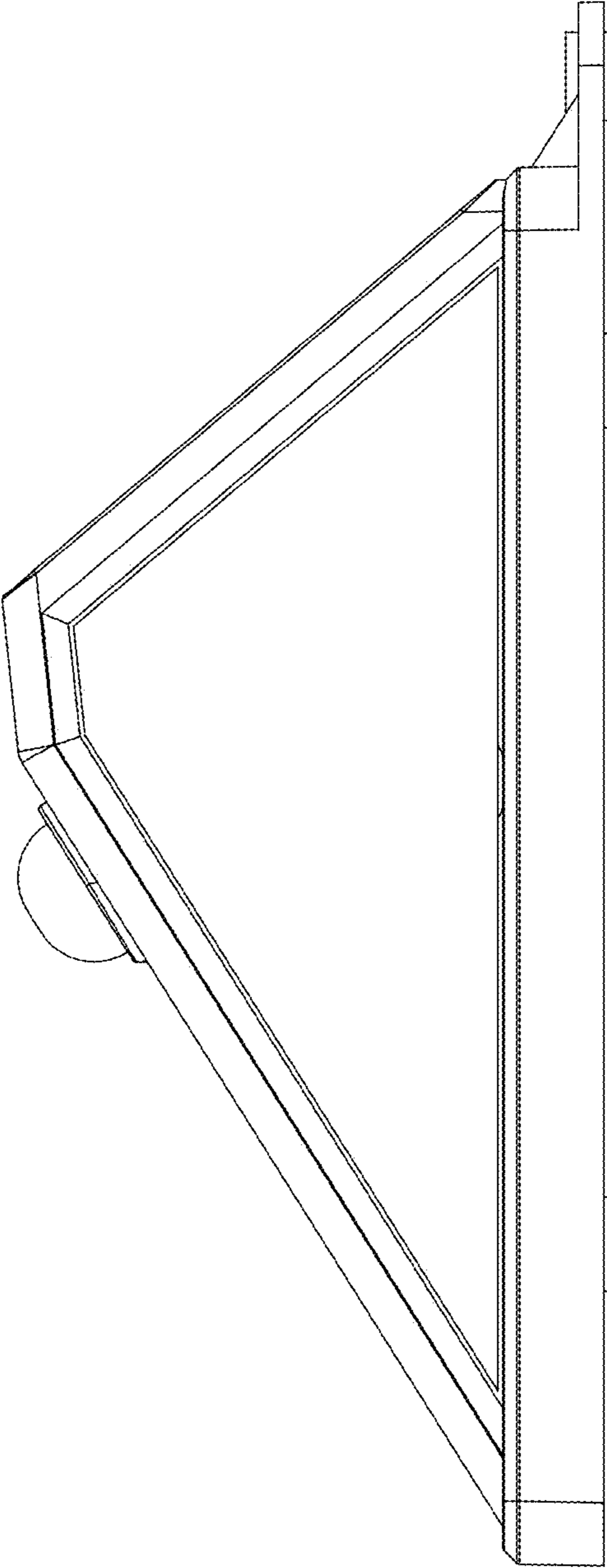


FIG. 5

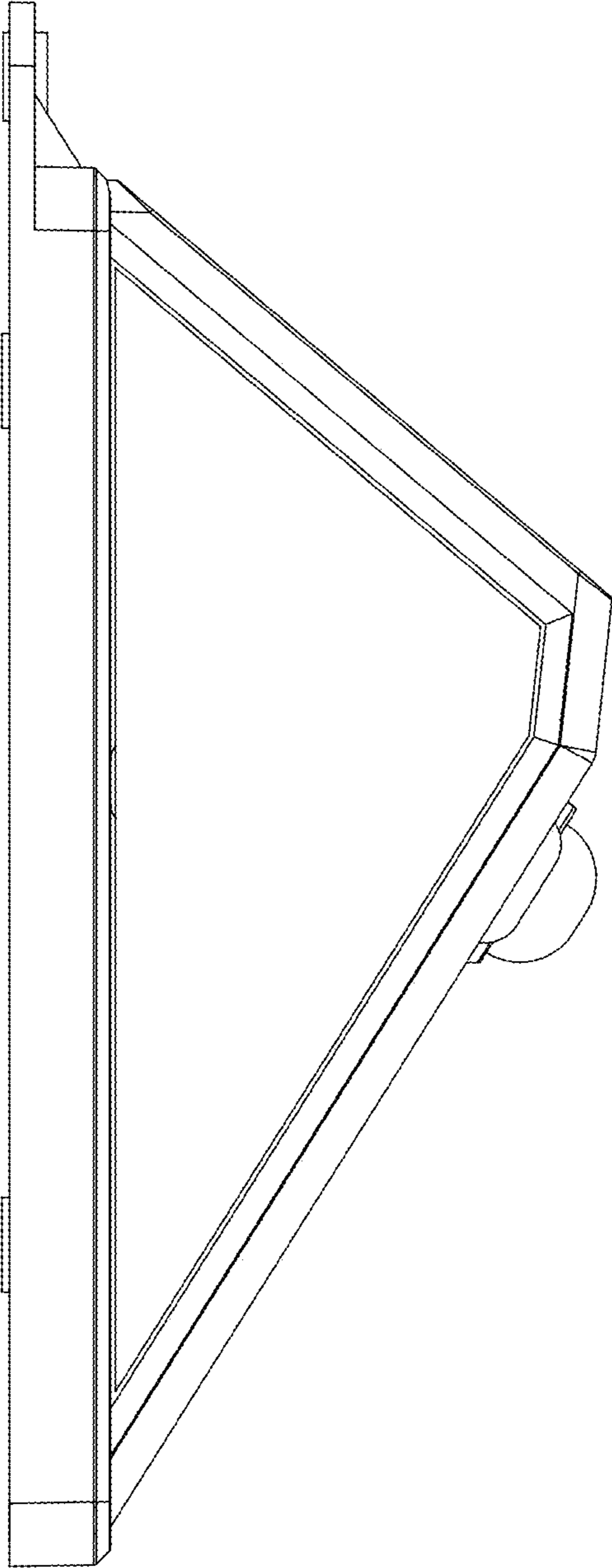


FIG. 6

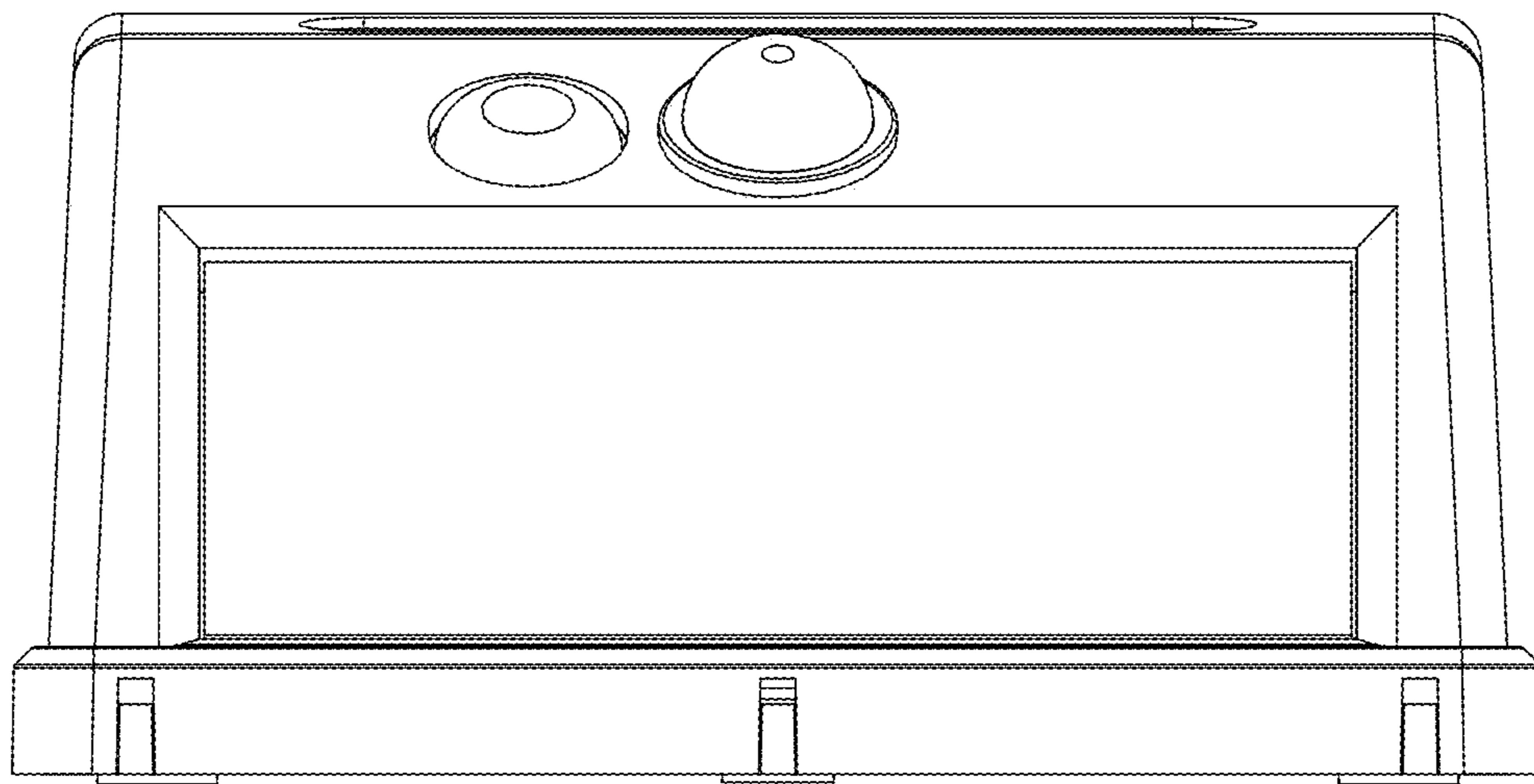


FIG. 7



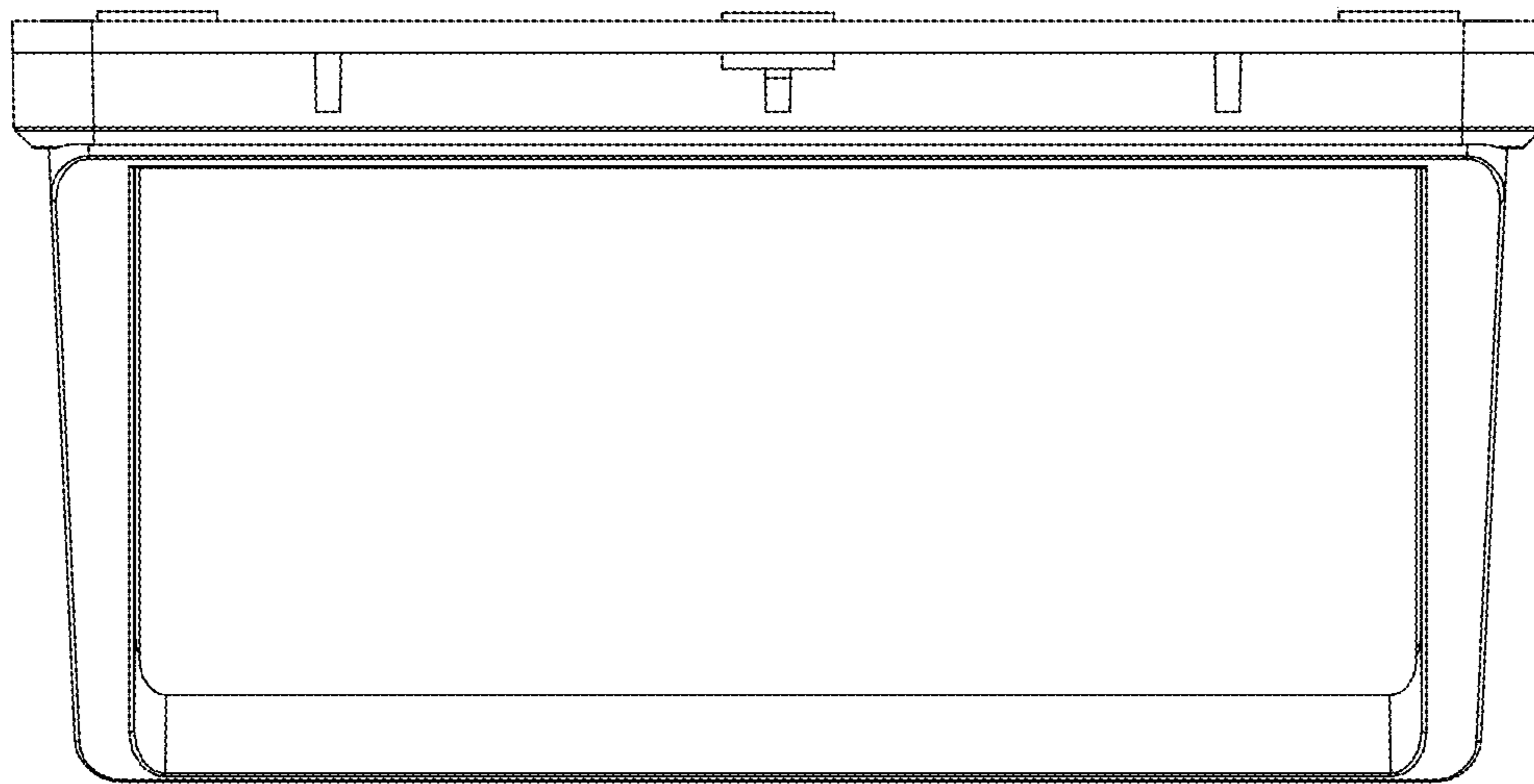


FIG. 8