



US00D938637S

(12) **United States Design Patent** (10) **Patent No.:** **US D938,637 S**
Lin (45) **Date of Patent:** **** *Dec. 14, 2021**

(54) **SPOTLIGHT**
(71) Applicant: **Biguang Lin**, Shantou (CN)
(72) Inventor: **Biguang Lin**, Shantou (CN)

D640,815 S * 6/2011 Yamada D26/63
D645,595 S * 9/2011 Yamada D26/63
D645,596 S * 9/2011 Yamada D26/63
D845,530 S * 4/2019 Yu D26/63
D886,352 S * 6/2020 Hu D26/63
D893,074 S * 8/2020 Finocchiaro D26/63

(*) Notice: This patent is subject to a terminal disclaimer.

* cited by examiner

(**) Term: **15 Years**

Primary Examiner — Brian N. Vinson

(21) Appl. No.: **29/704,308**

(22) Filed: **Sep. 4, 2019**

(57) **CLAIM**

(30) **Foreign Application Priority Data**

The ornamental design for a spotlight, as shown and described.

Mar. 4, 2019 (CN) 201930086122.0

(51) **LOC (13) Cl.** **26-03**

(52) **U.S. Cl.**
USPC **D26/63**

DESCRIPTION

(58) **Field of Classification Search**
USPC D26/24, 51, 61, 63, 72, 80
CPC F21S 8/04; F21S 8/00; F21W 2131/10;
F21V 21/00; F21V 21/26; F21V 21/14;
F21V 17/02; F21V 21/30
See application file for complete search history.

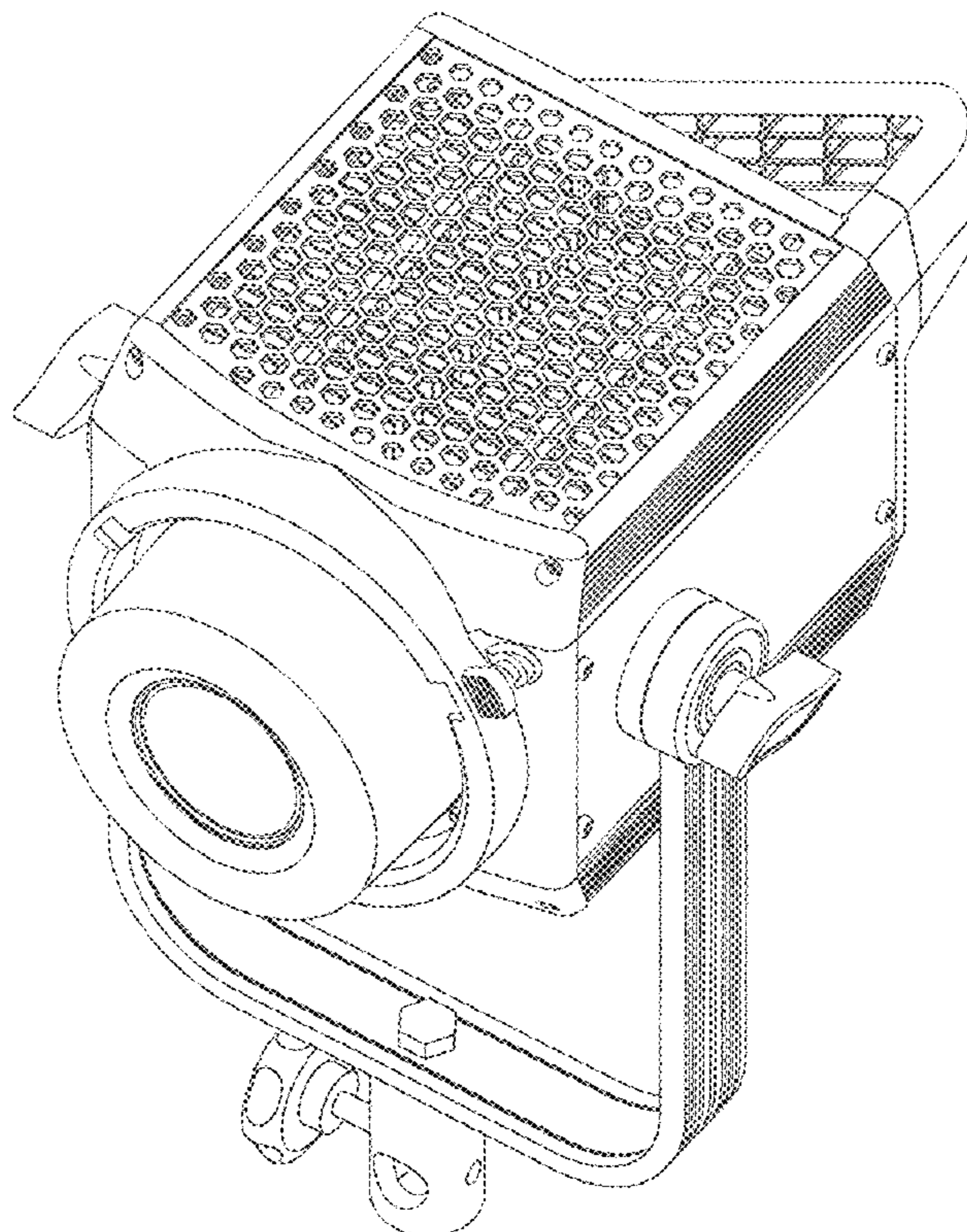
FIG. 1 is a perspective view of a spotlight showing my new design;
FIG. 2 is a front view thereof;
FIG. 3 is a rear side view thereof;
FIG. 4 is a left side view thereof;
FIG. 5 is right side view thereof;
FIG. 6 is a top plan view thereof;
FIG. 7 is a bottom plan view thereof; and,
FIG. 8 is a perspective view of the spotlight at different angle.

(56) **References Cited**

U.S. PATENT DOCUMENTS

4,419,721 A * 12/1983 Gregoire B60Q 1/245
362/269
D518,218 S * 3/2006 Roberge D26/63

1 Claim, 8 Drawing Sheets



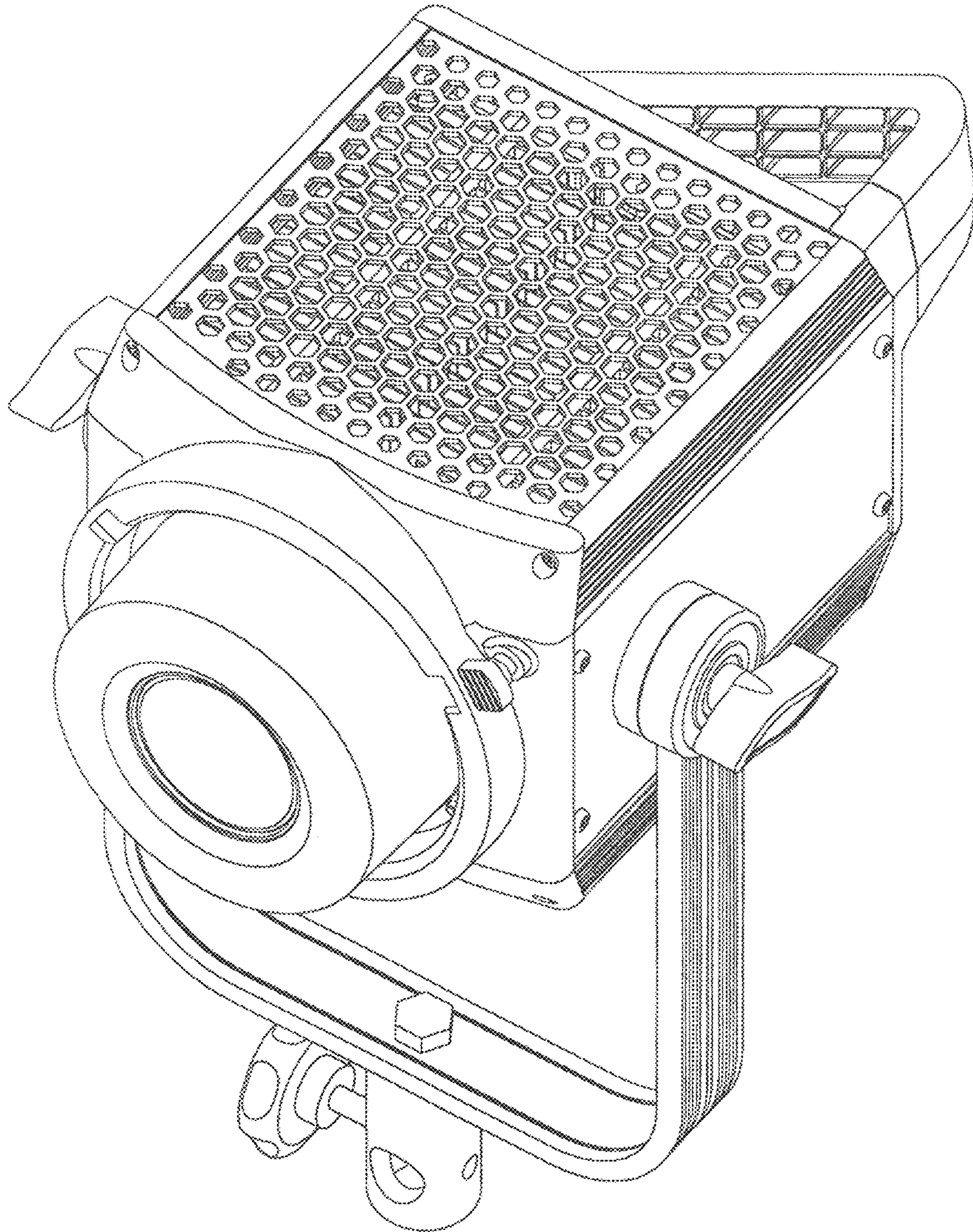


FIG.1

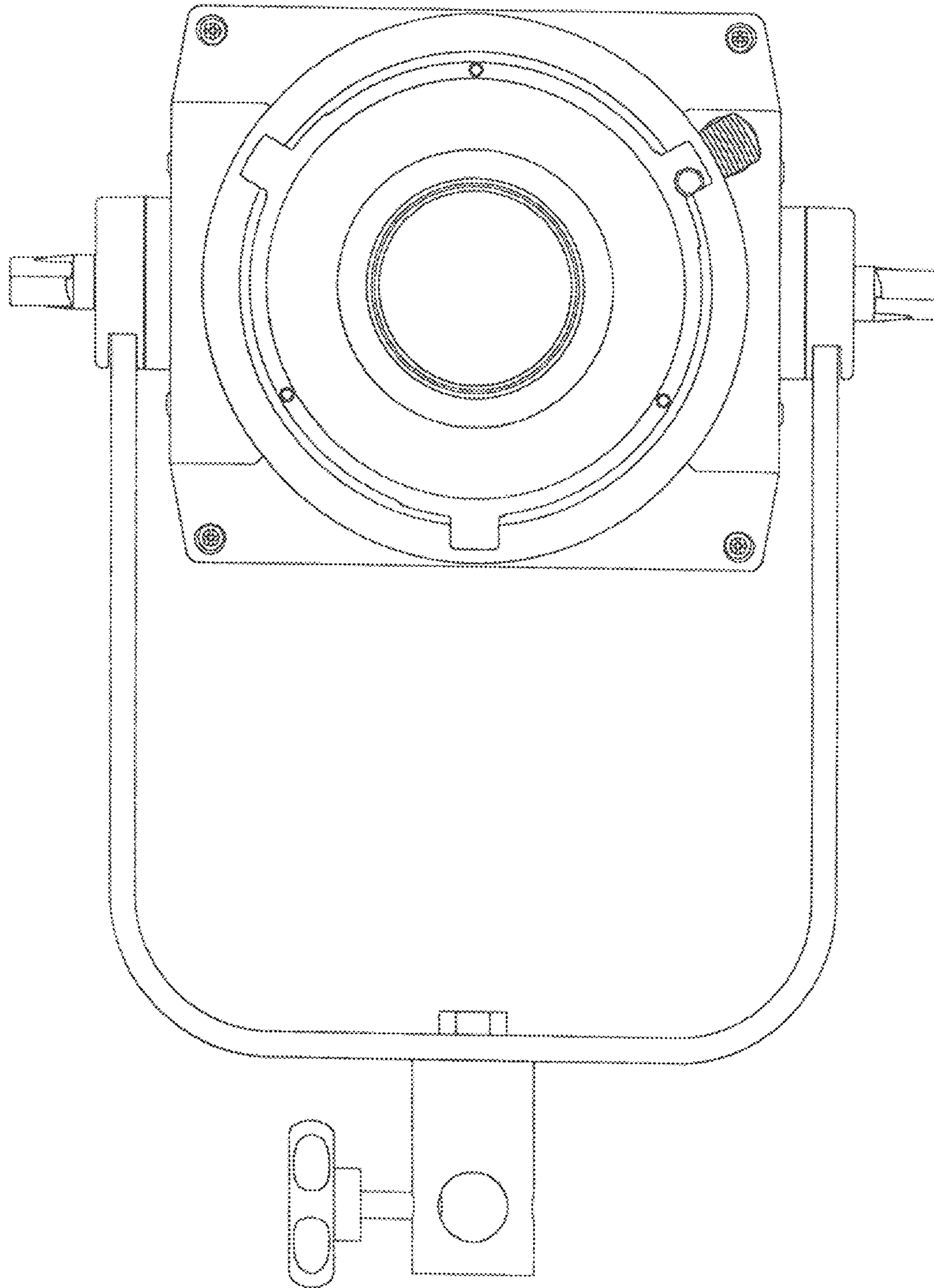


FIG.2

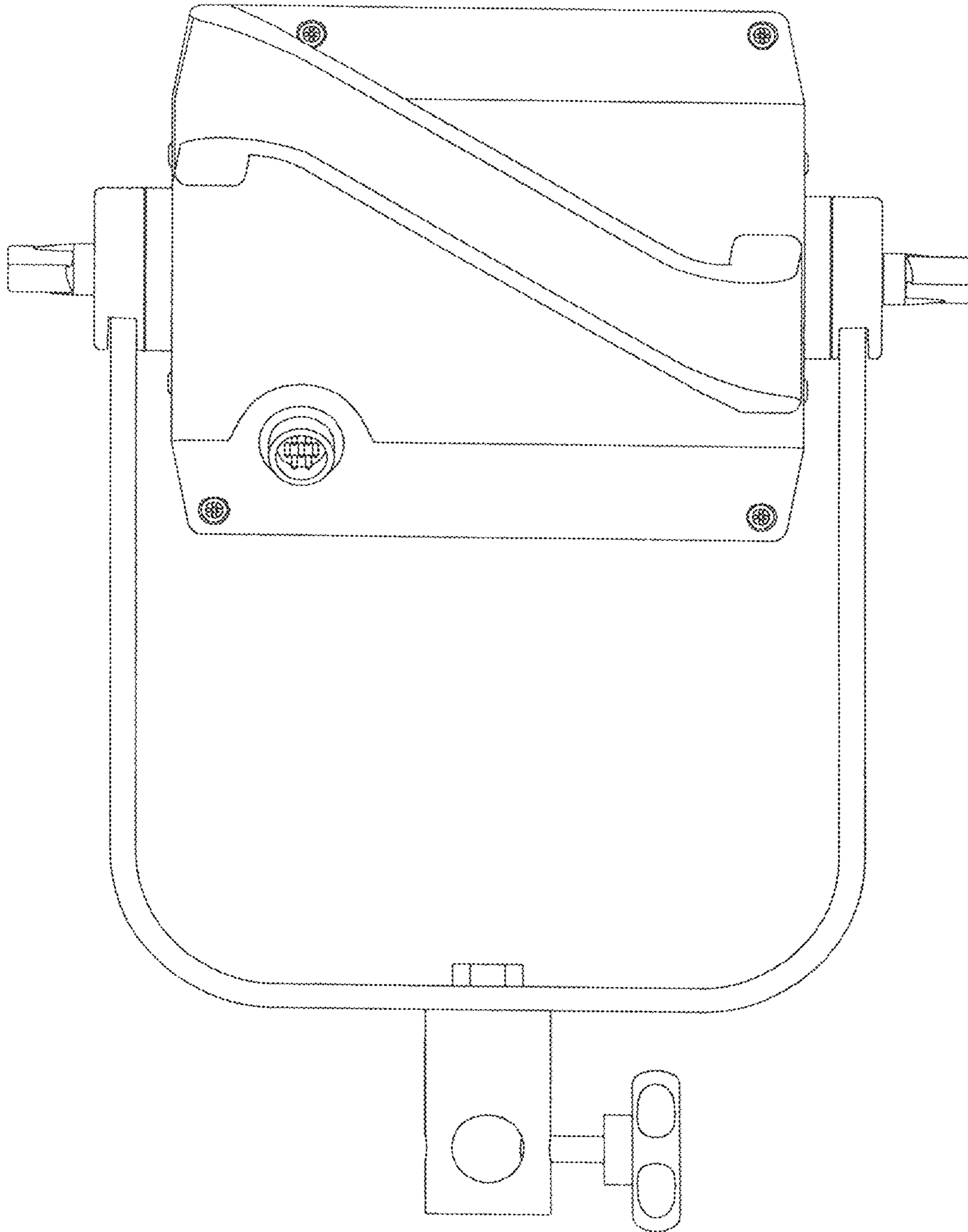


FIG.3

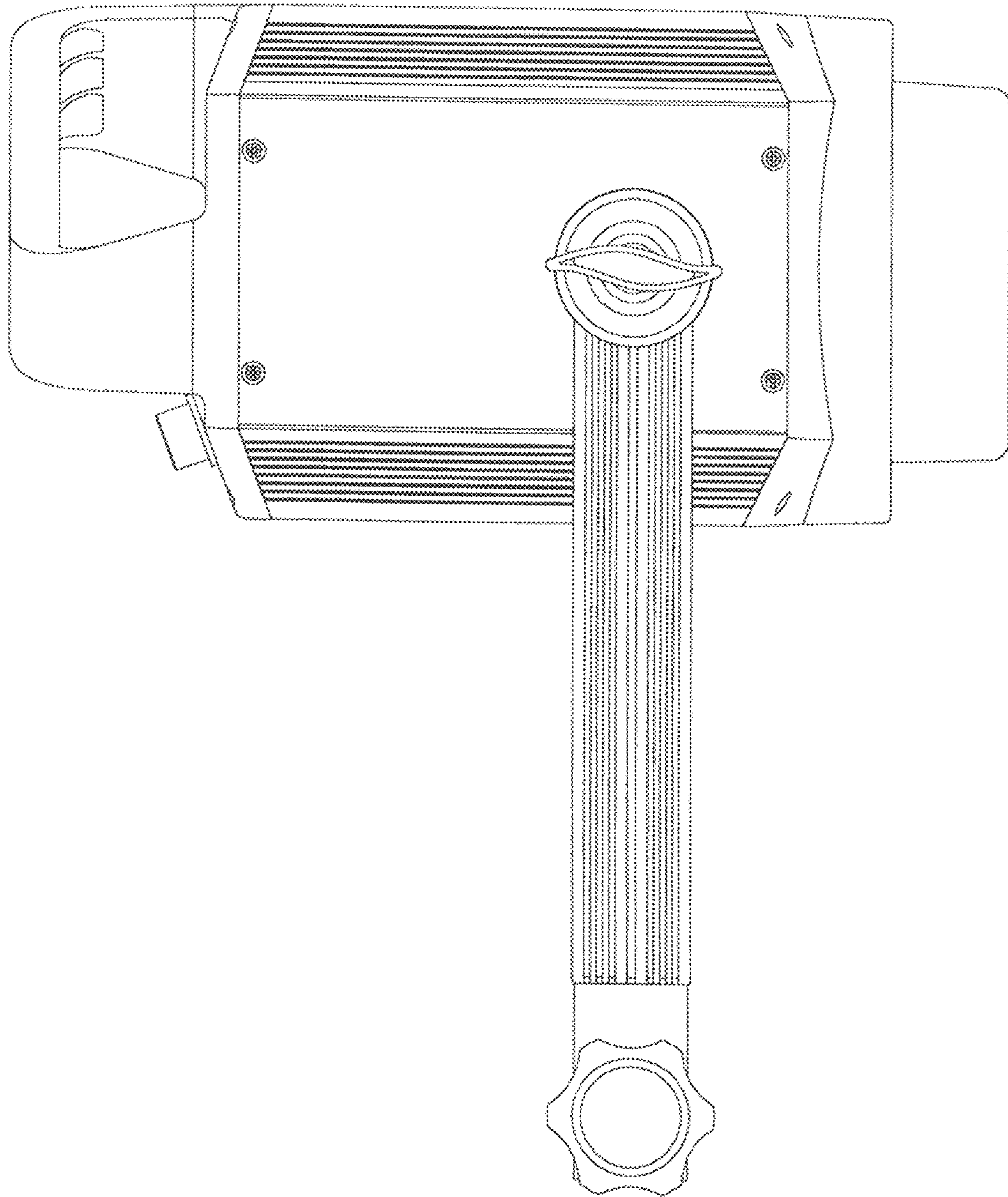


FIG.4

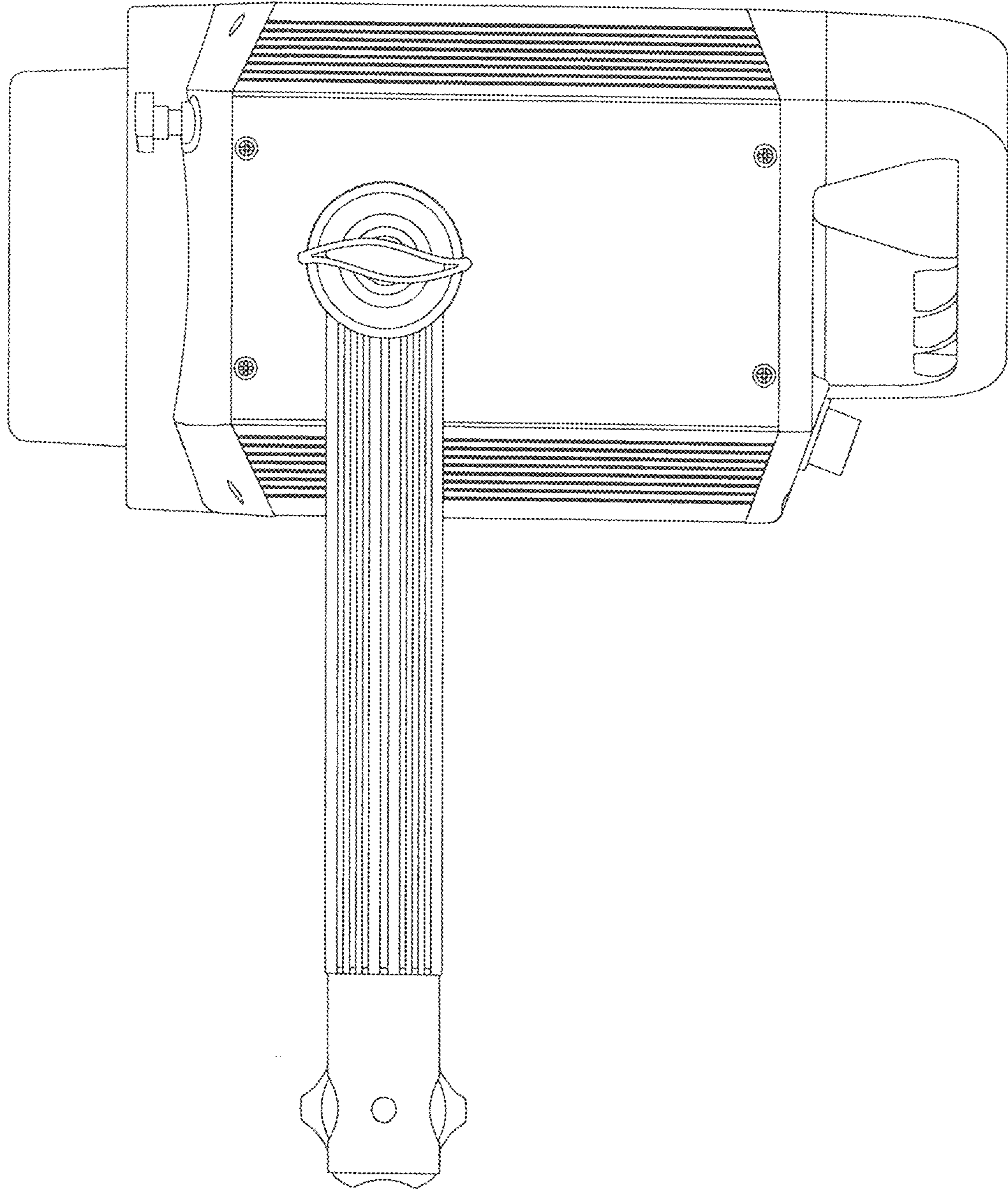


FIG.5

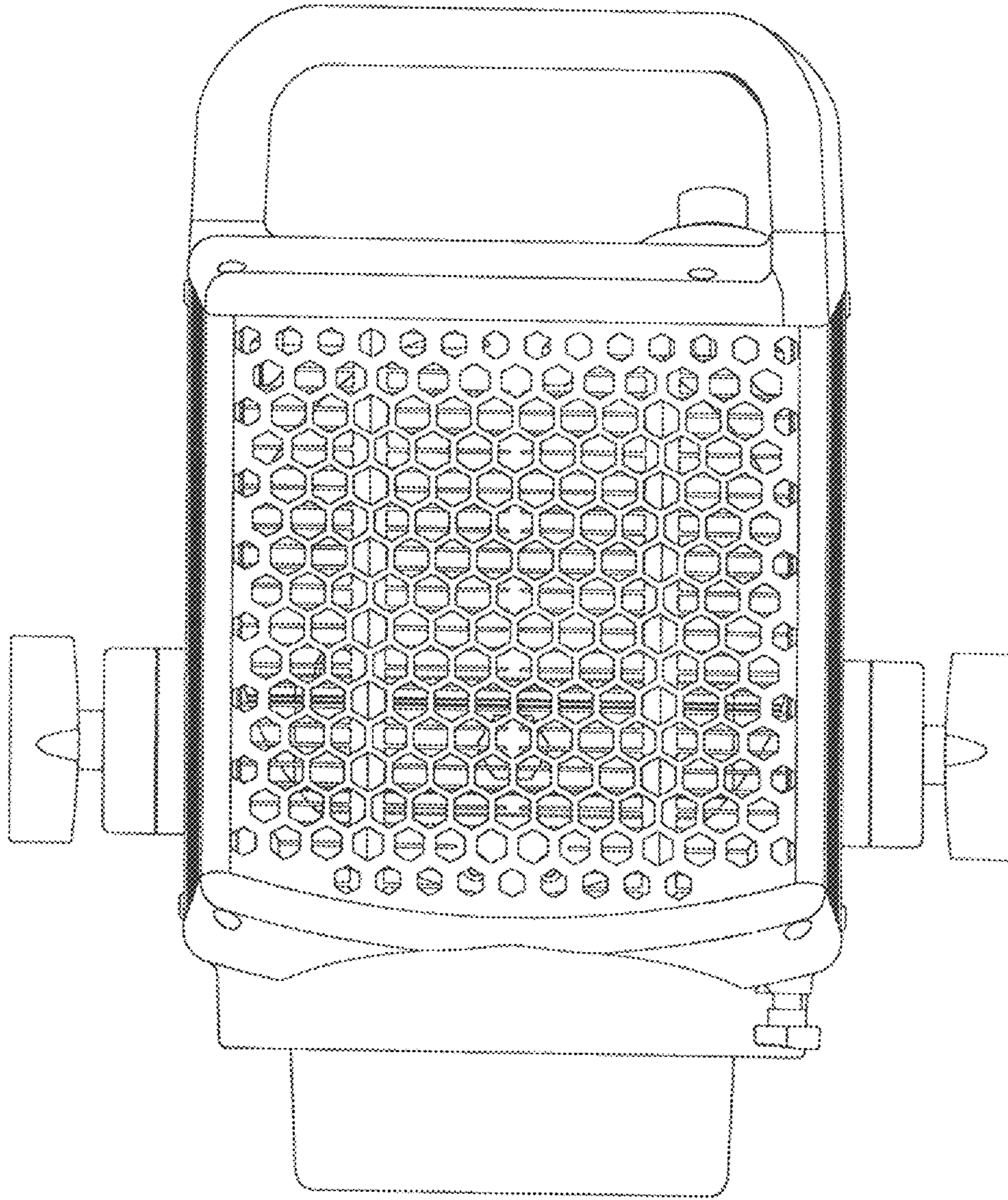


FIG.6

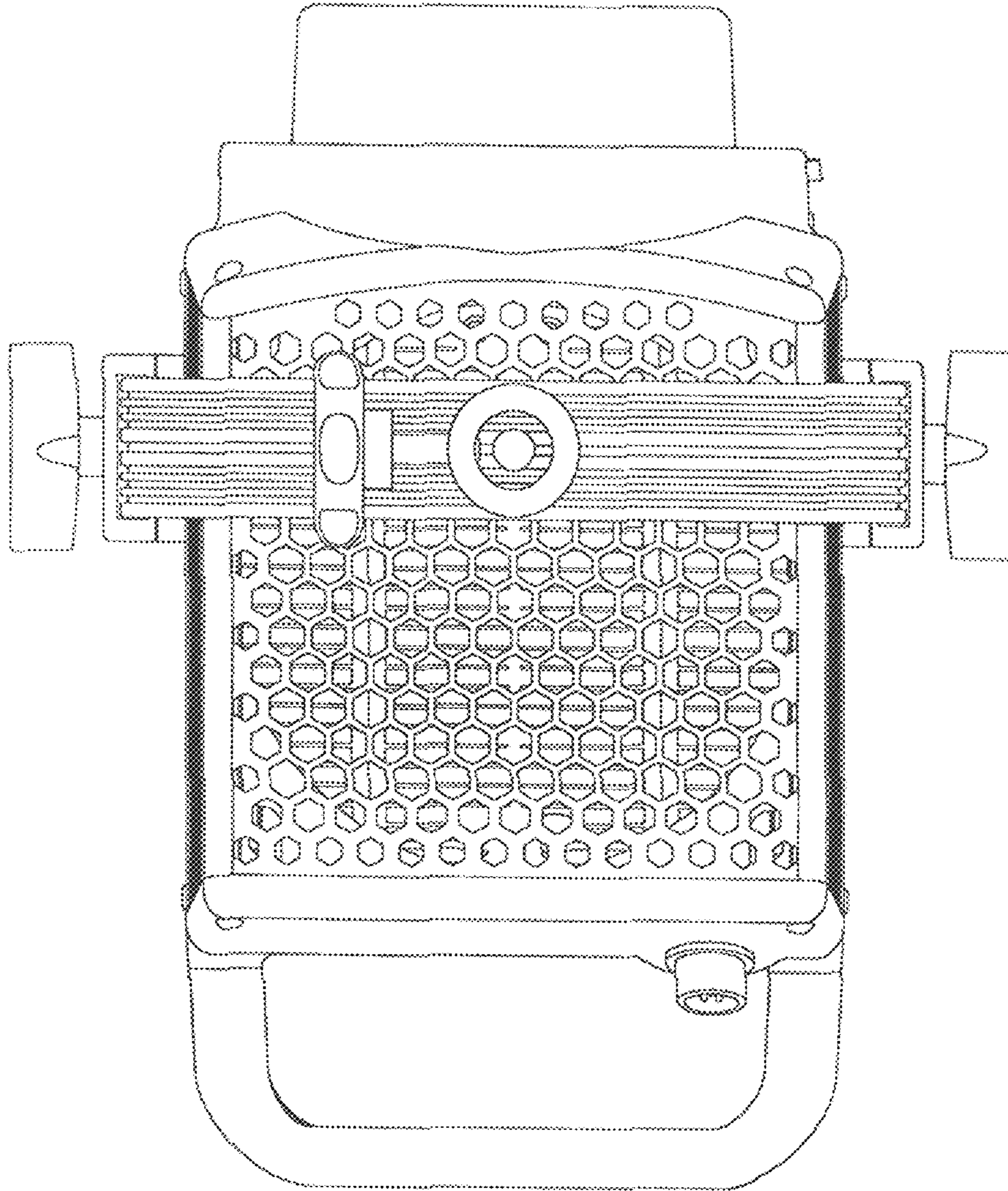


FIG.7

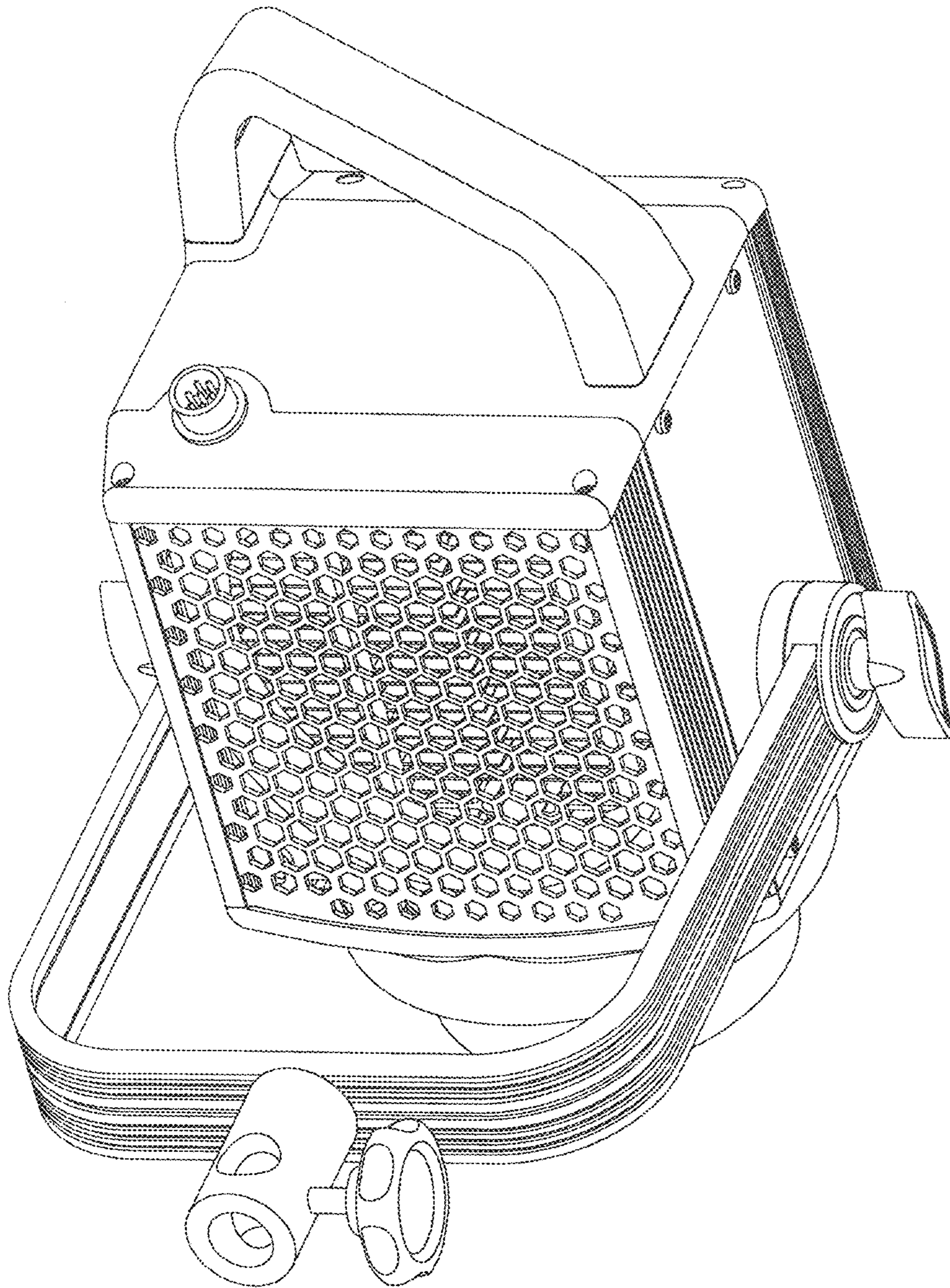


FIG.8