

US00D938634S

(12) **United States Design Patent** (10) **Patent No.:** **US D938,634 S**
Ormsbee et al. (45) **Date of Patent:** **** Dec. 14, 2021**

(54) **LANTERN**
(71) Applicant: **Nite Ize, Inc.**, Boulder, CO (US)
(72) Inventors: **Bowden Ormsbee**, Longmont, CO (US); **Richard Case**, Boulder, CO (US); **Steven L. Lindquist**, Broomfield, CO (US); **Leo Lesperance**, Erie, CO (US)

D725,809 S * 3/2015 Ford D26/37
D737,491 S * 8/2015 Shen D26/50
D801,569 S * 10/2017 Ormsbee D26/37
D825,804 S * 8/2018 Okuda D26/60
D850,680 S * 6/2019 Case D26/37
D879,341 S * 3/2020 Kassin A45C 15/00
D26/37

(Continued)

FOREIGN PATENT DOCUMENTS

(73) Assignee: **NITE IZE, INC.**, Boulder, CO (US)
(**) Term: **15 Years**

CN 300913650 * 4/2009
CN 303671879 * 5/2016

(Continued)

(21) Appl. No.: **29/694,860**

OTHER PUBLICATIONS

(22) Filed: **Jun. 13, 2019**
(51) **LOC (13) Cl.** **26-02**
(52) **U.S. Cl.**
USPC **D26/37**; D26/39
(58) **Field of Classification Search**
USPC D26/37-44, 46-52; D10/109.1, 111-115
CPC .. F21V 15/01; F21V 21/0885; F21V 21/0832;
F21V 21/088; F21V 21/0965; F21V
17/02; F21V 23/009; F21V 33/0004;
F21V 33/008; F21V 3/02
See application file for complete search history.

Nite Ize SLG-06-28 SpotLit Clip-On LED, Aug. 23, 2004, amazon.com, site visited Jul. 23, 2021, URL: https://www.amazon.com/SLG-06-28-SpotLit-Carabiner-Weather-Resistant/dp/B001K4MLJ8/ref=sr_1_1?dchild=1&keywords=nite+ize+slg-06-28&qid=1627054672&sr=8-1 (Year: 2004).*

(Continued)

Primary Examiner — Eric L Goodman
Assistant Examiner — Sarah L Smith
(74) *Attorney, Agent, or Firm* — Haynes and Boone, LLP

(56) **References Cited**

(57) **CLAIM**

U.S. PATENT DOCUMENTS

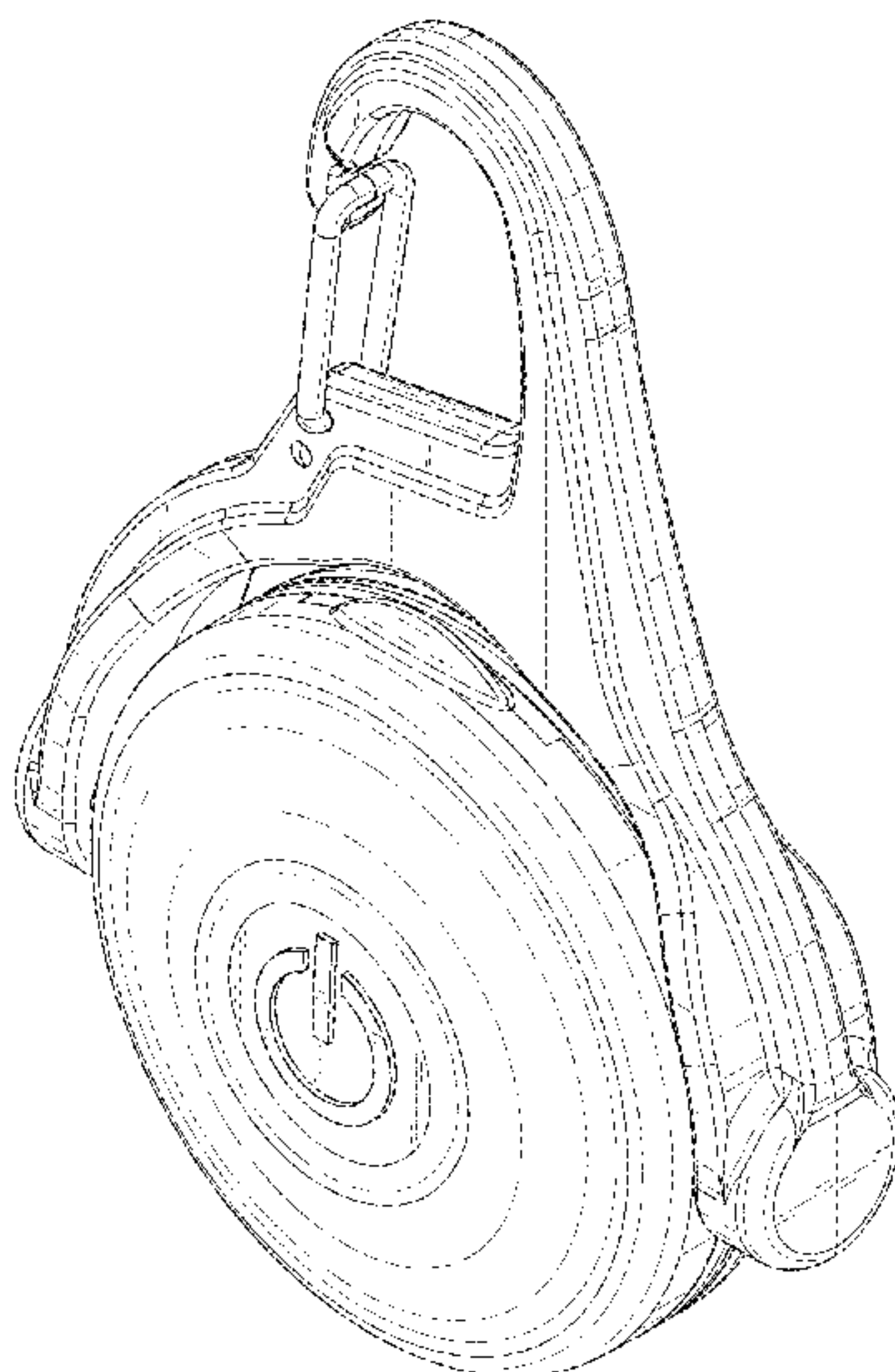
The ornamental design for the lantern, as shown and described.

1,074,376 A * 9/1913 Neudorffer F21L 4/00
362/196
D86,734 S * 4/1932 Mitchell D26/44
D222,500 S * 10/1971 Gugelot D26/37
6,193,382 B1 * 2/2001 Gilmer F21L 4/00
362/186
D522,234 S * 6/2006 Murphy D3/209
D544,388 S * 6/2007 Chisholm D10/114.2
D553,278 S * 10/2007 Moore F21V 23/02
D26/39
7,562,995 B1 * 7/2009 Levine F21S 8/03
362/191
D711,273 S * 8/2014 Mulvoy D10/111

DESCRIPTION

FIG. 1 shows a front perspective view of a lantern;
FIG. 2 shows a front view of the lantern of FIG. 1;
FIG. 3 shows a rear view of the lantern of FIG. 1;
FIG. 4 shows a left side view of the lantern of FIG. 1;
FIG. 5 shows a right side view of the lantern of FIG. 1;
FIG. 6 shows a top view of the lantern of FIG. 1; and,
FIG. 7 shows a bottom view of the lantern of FIG. 1.

1 Claim, 5 Drawing Sheets



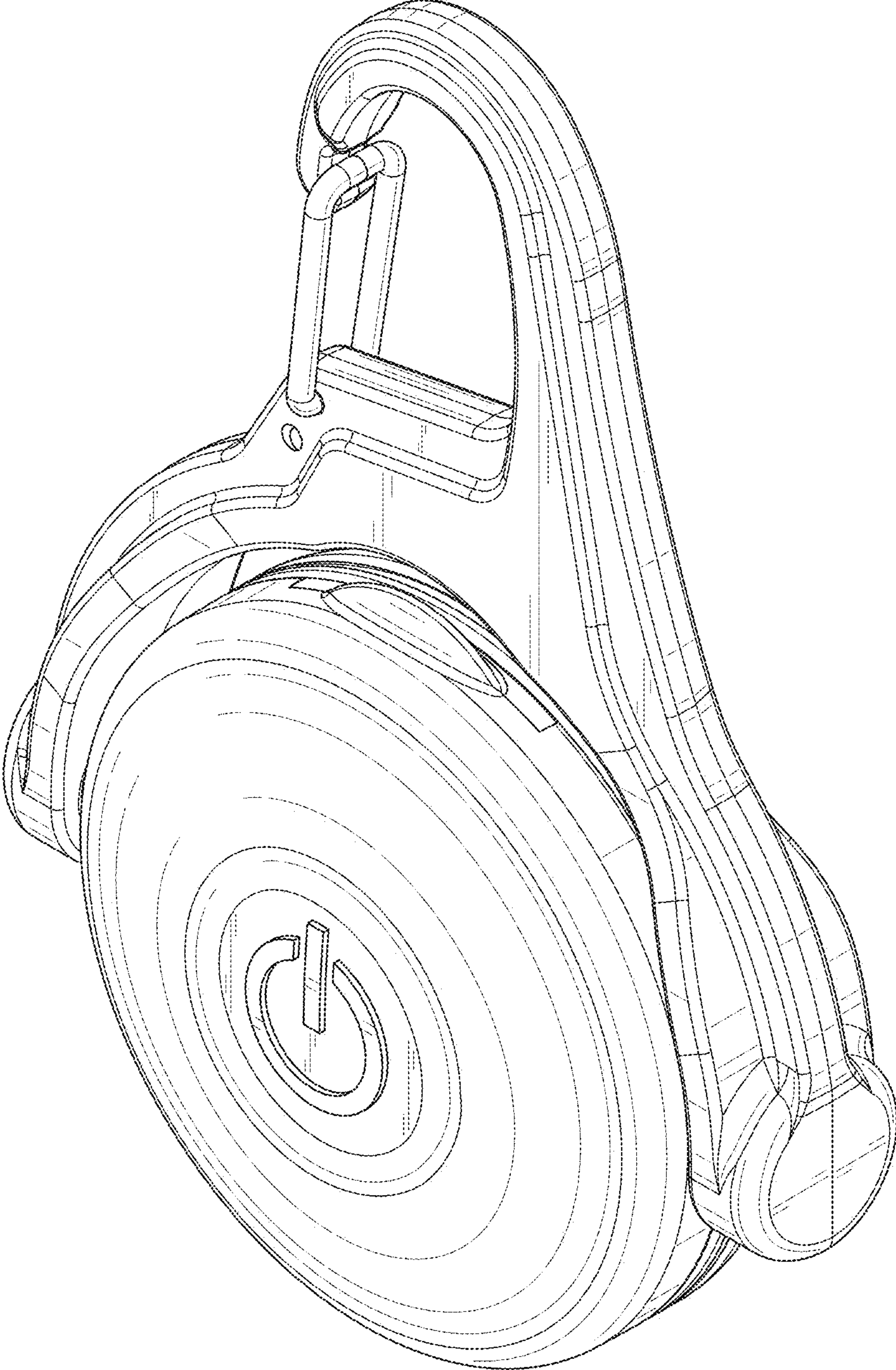


FIG. 1

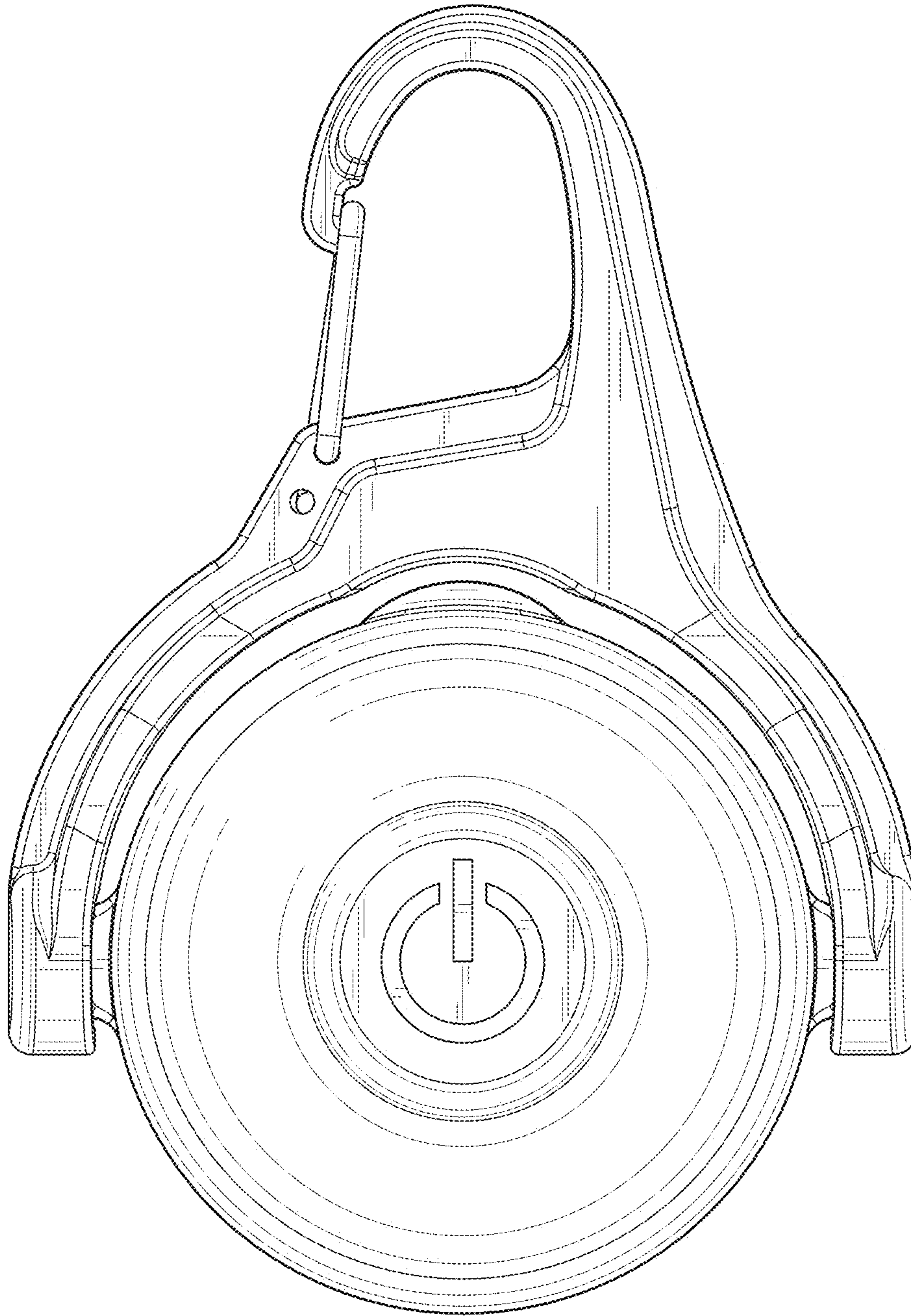


FIG. 2

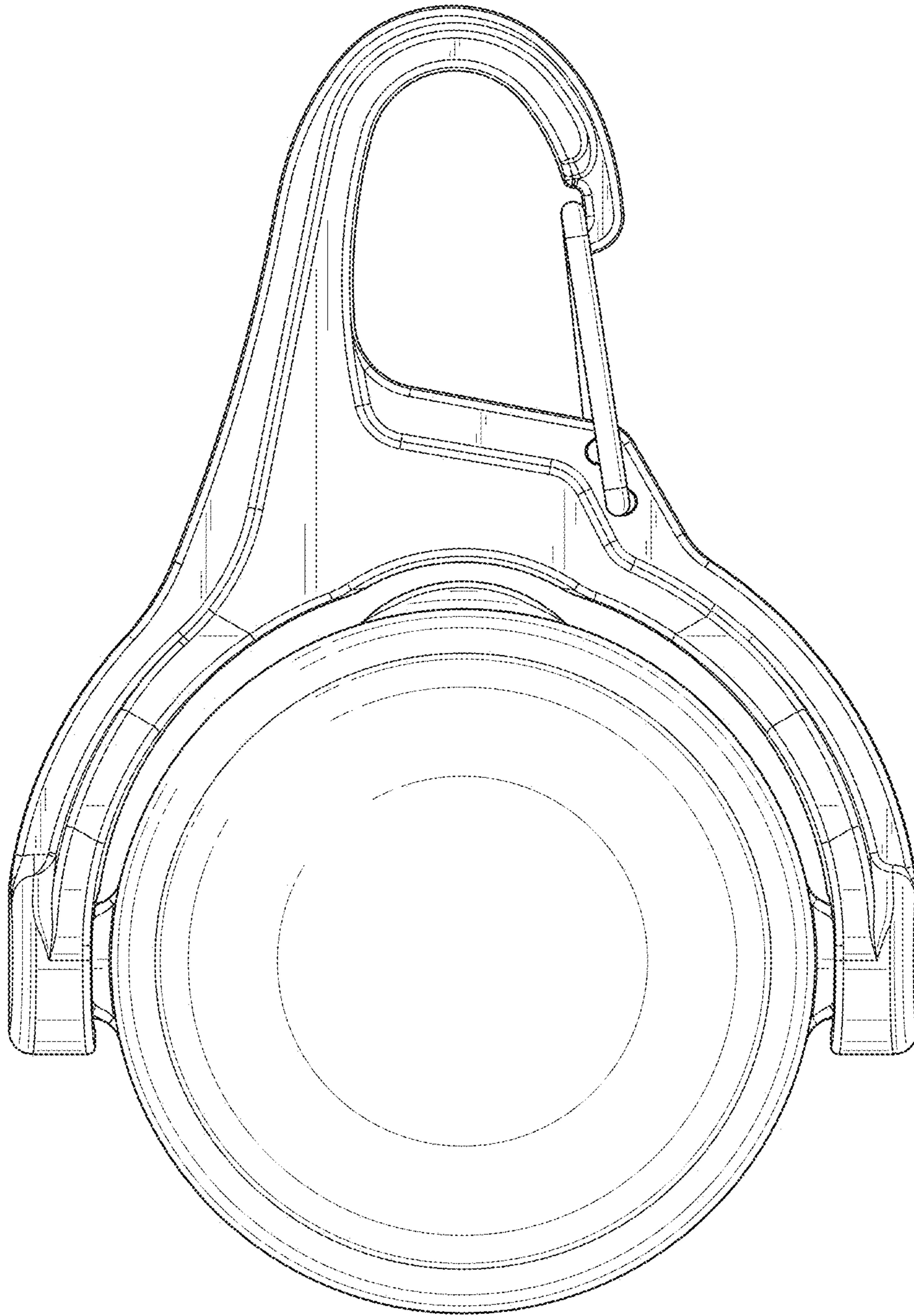


FIG. 3

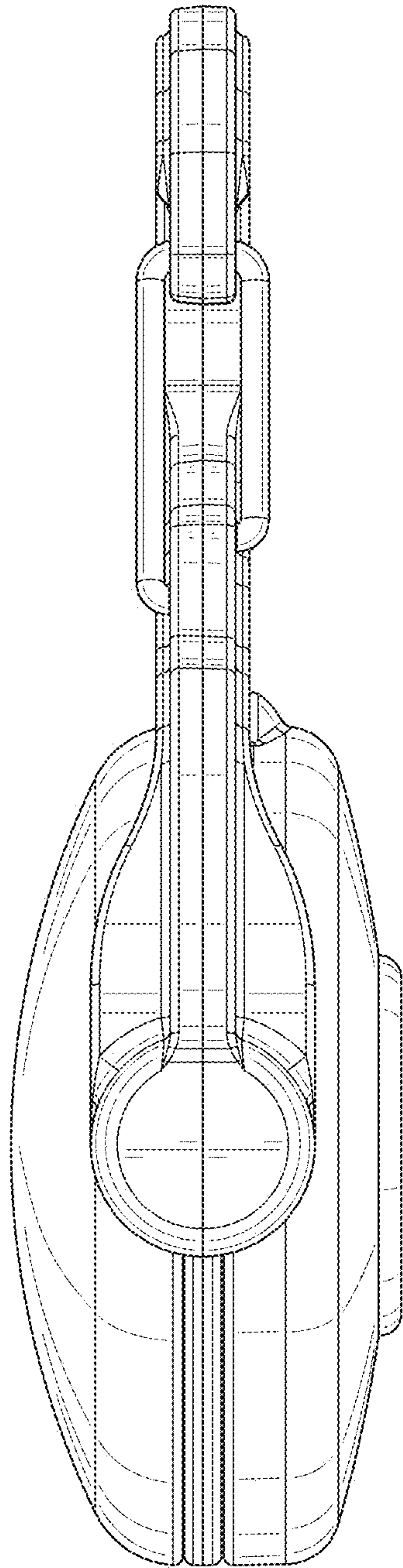


FIG. 4

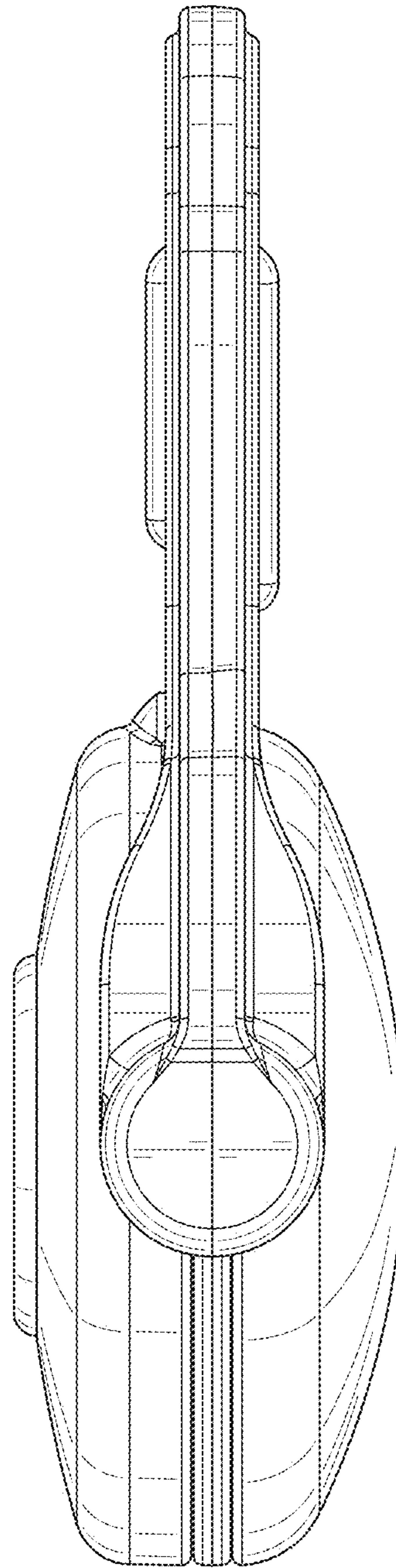


FIG. 5

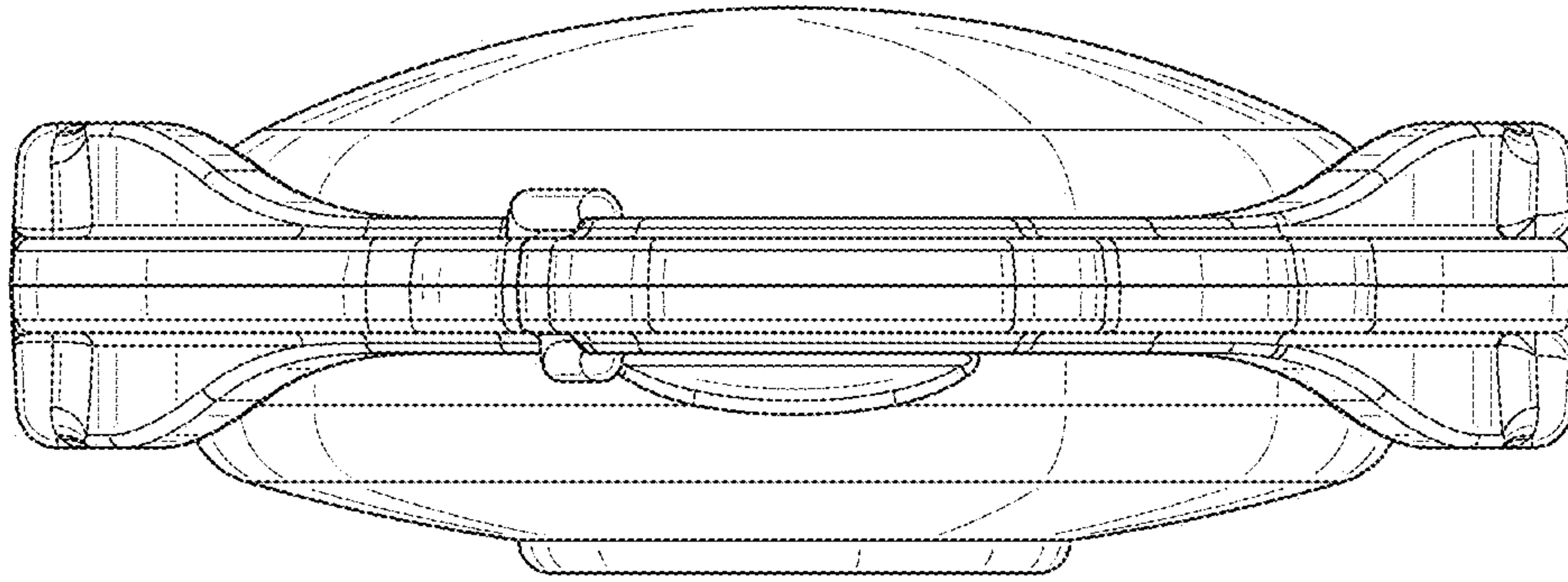


FIG. 6

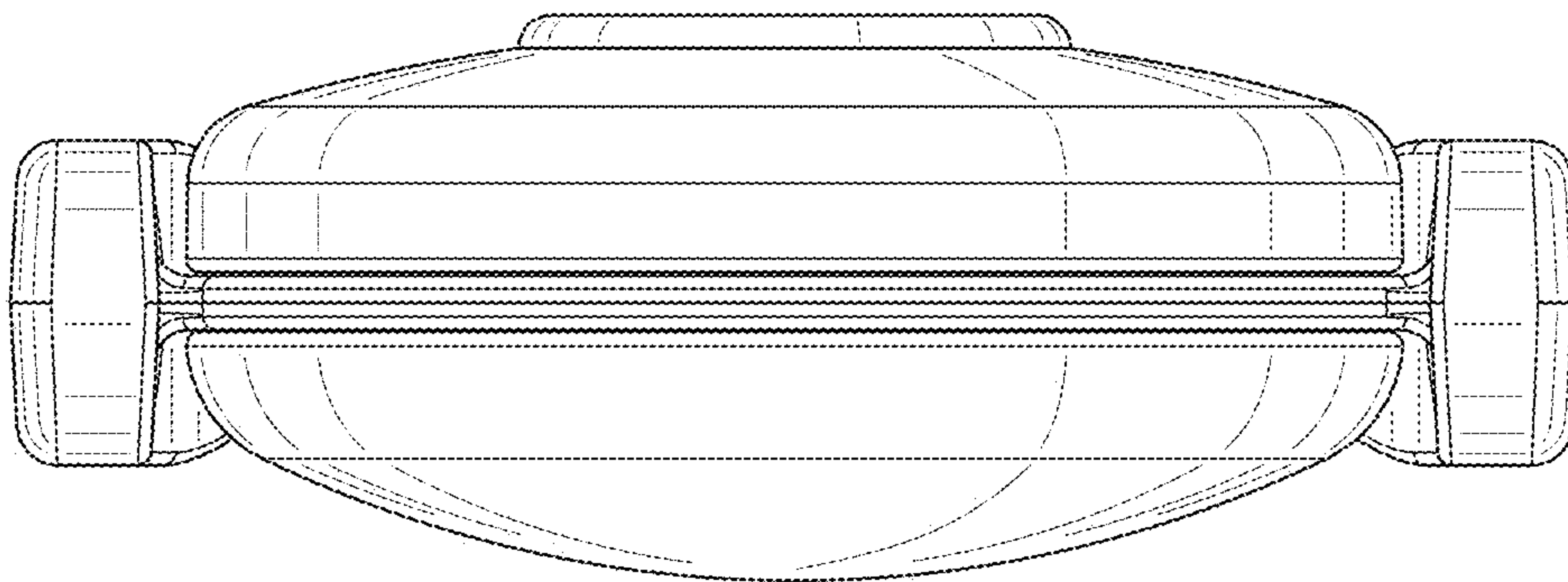


FIG. 7