



US00D938633S

(12) **United States Design Patent**
Yang

(10) **Patent No.:** **US D938,633 S**

(45) **Date of Patent:** **** Dec. 14, 2021**

(54) **VEHICLE TAILLIGHT**

(71) Applicant: **SONAR AUTO PARTS CO., LTD.**,
New Taipei (TW)

(72) Inventor: **Hsiu-Pen Yang**, New Taipei (TW)

(73) Assignee: **SONAR AUTO PARTS CO., LTD.**,
New Taipei (TW)

(**) Term: **15 Years**

(21) Appl. No.: **29/757,931**

(22) Filed: **Nov. 10, 2020**

(51) **LOC (13) Cl.** **26-06**

(52) **U.S. Cl.**
USPC **D26/28**

(58) **Field of Classification Search**
USPC D26/28-36, 139
CPC F21S 48/00; F21S 48/10; F21S 48/115;
F21S 48/225; F21S 48/1233; F21S
48/1266; F21S 48/1388; F21S 48/2268;
F21V 5/00; B60Q 9/13; B60Q 9/135;
B60Q 9/1375
See application file for complete search history.

(56) **References Cited**

U.S. PATENT DOCUMENTS

D646,814 S * 10/2011 Goplen D26/28
D720,484 S * 12/2014 Nordmann D26/28

D739,582 S * 9/2015 Forsgren D26/28
D808,047 S * 1/2018 Hannemann D26/28
D844,191 S * 3/2019 Nordmann D26/28
D851,294 S * 6/2019 Whang D26/28
D855,225 S * 7/2019 Miyazawa D26/28
D864,435 S * 10/2019 Binder D26/28
D866,821 S * 11/2019 Hannemann D26/28

* cited by examiner

Primary Examiner — Marcus A Jackson

(74) *Attorney, Agent, or Firm* — Li & Cai Intellectual
Property Office

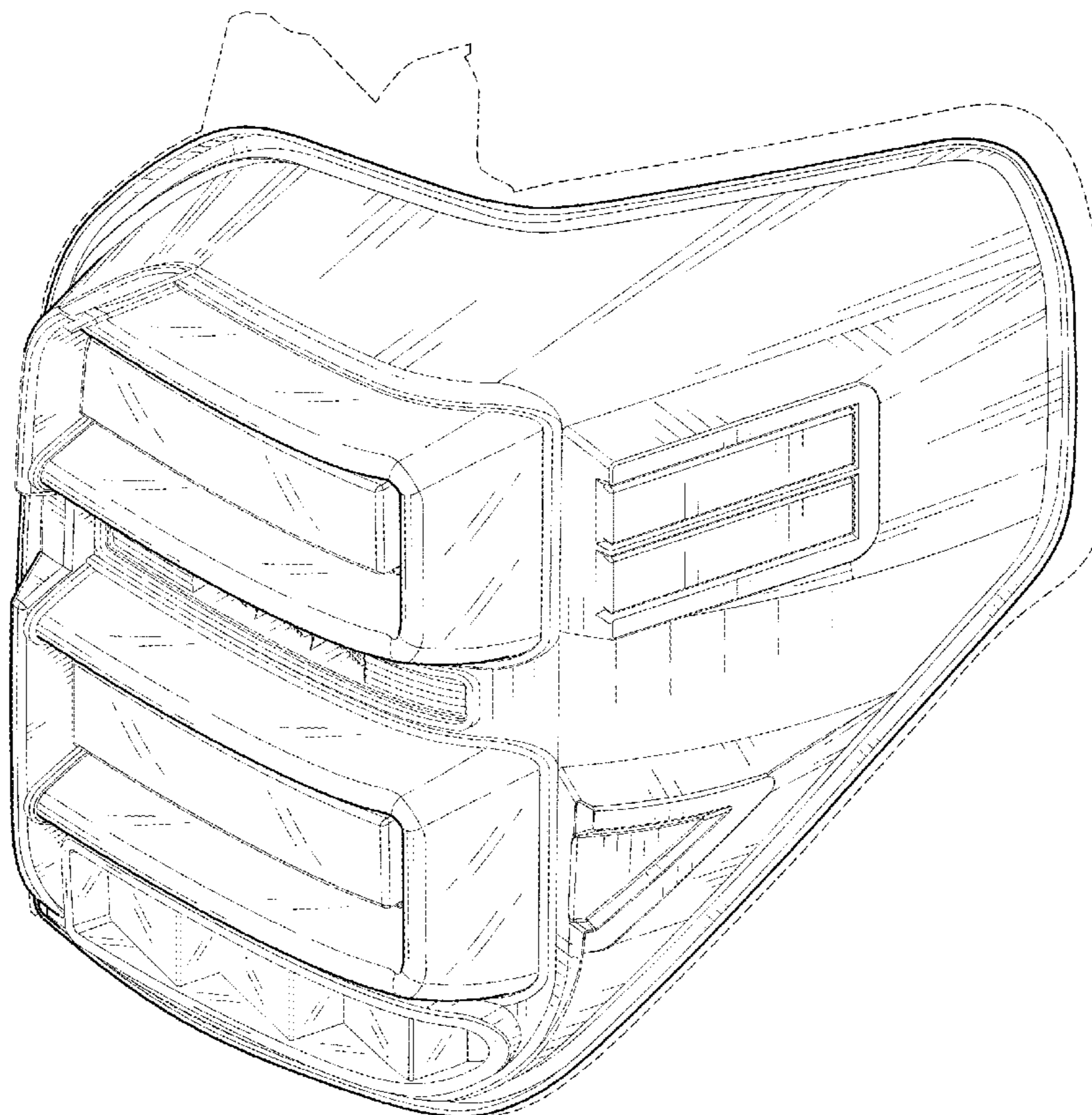
(57) **CLAIM**

The ornamental design for a vehicle taillight, as shown and described.

DESCRIPTION

FIG. 1 is a front, right side and top perspective view of a vehicle taillight showing the claimed design; FIG. 2 is a front elevational view thereof; FIG. 3 is a rear elevational view thereof; FIG. 4 is a left side elevational view thereof; FIG. 5 is a right side elevational view thereof; FIG. 6 is a top plan view thereof; and, FIG. 7 is a bottom plan view thereof. The dashed broken lines in the drawing depict portions of the vehicle taillight that form no part of the claimed design.

1 Claim, 7 Drawing Sheets



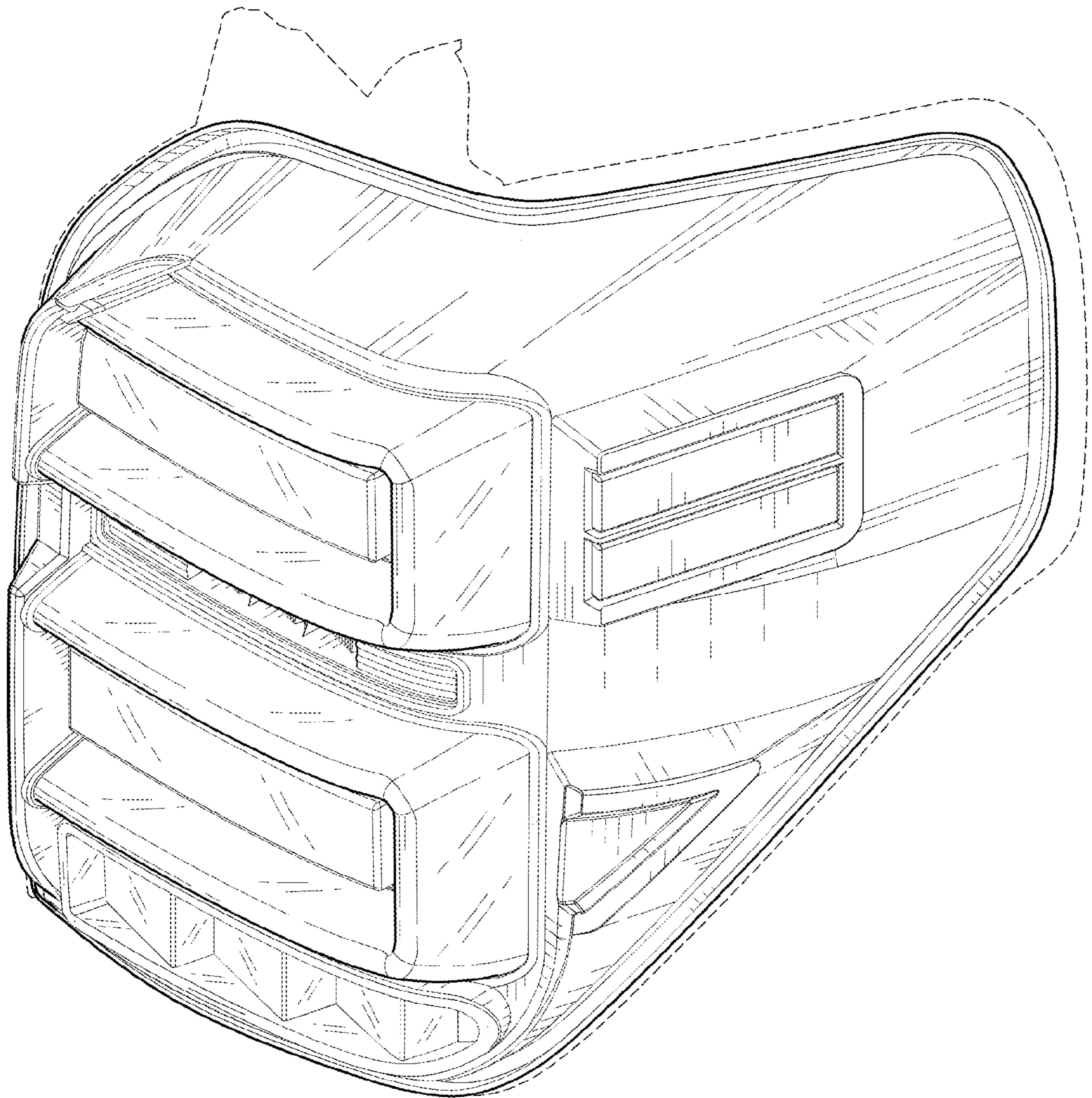


FIG. 1

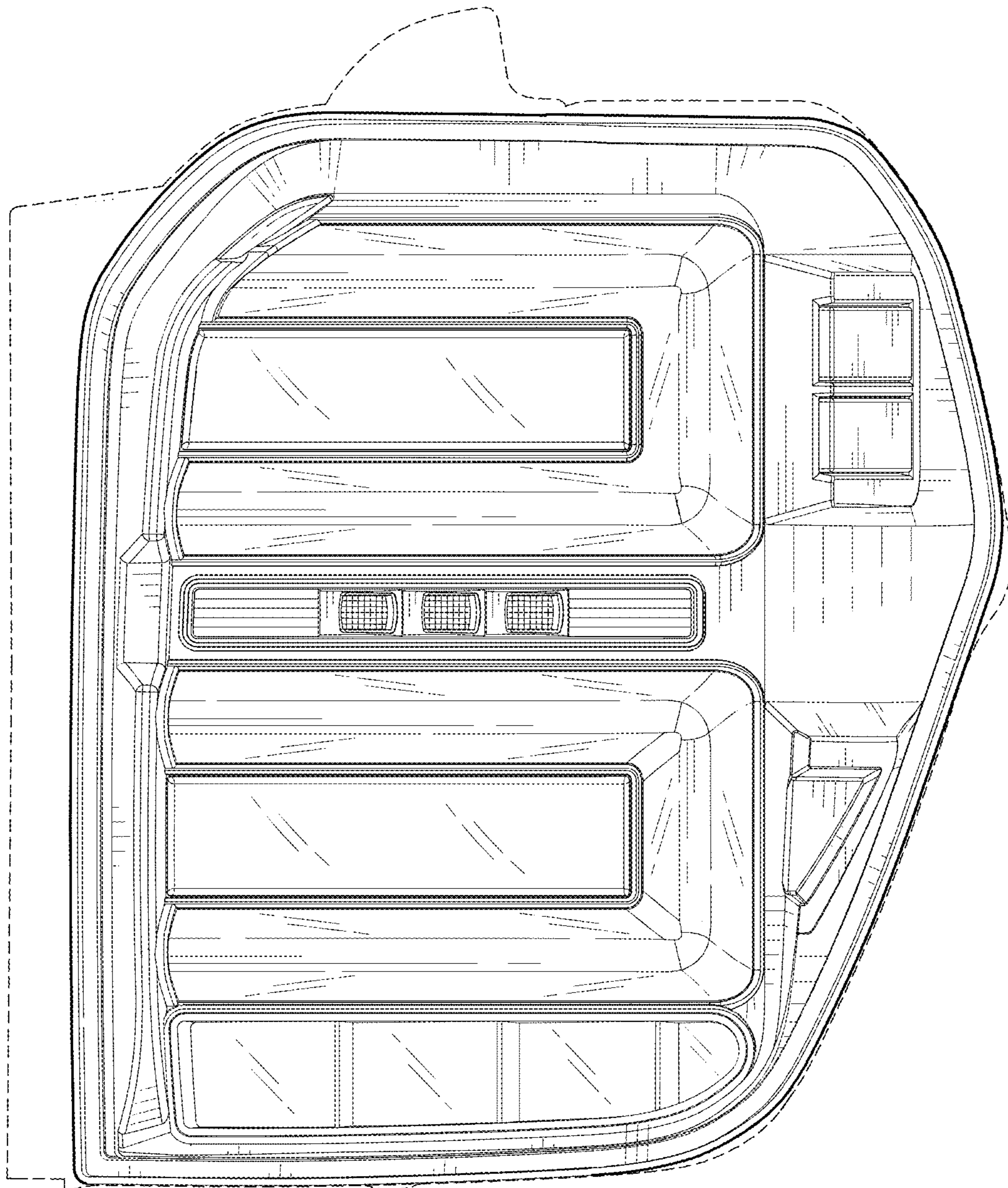


FIG. 2

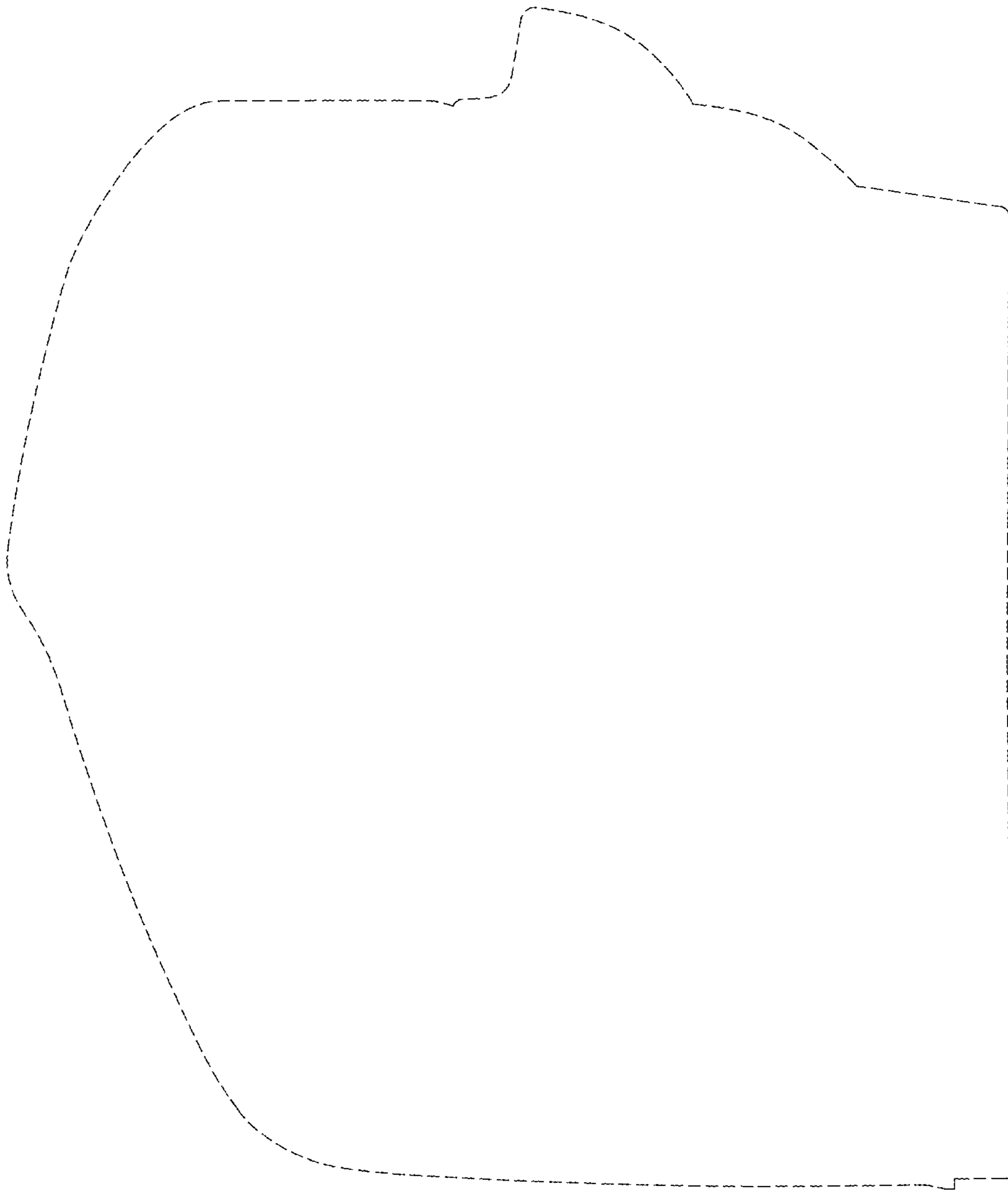


FIG. 3

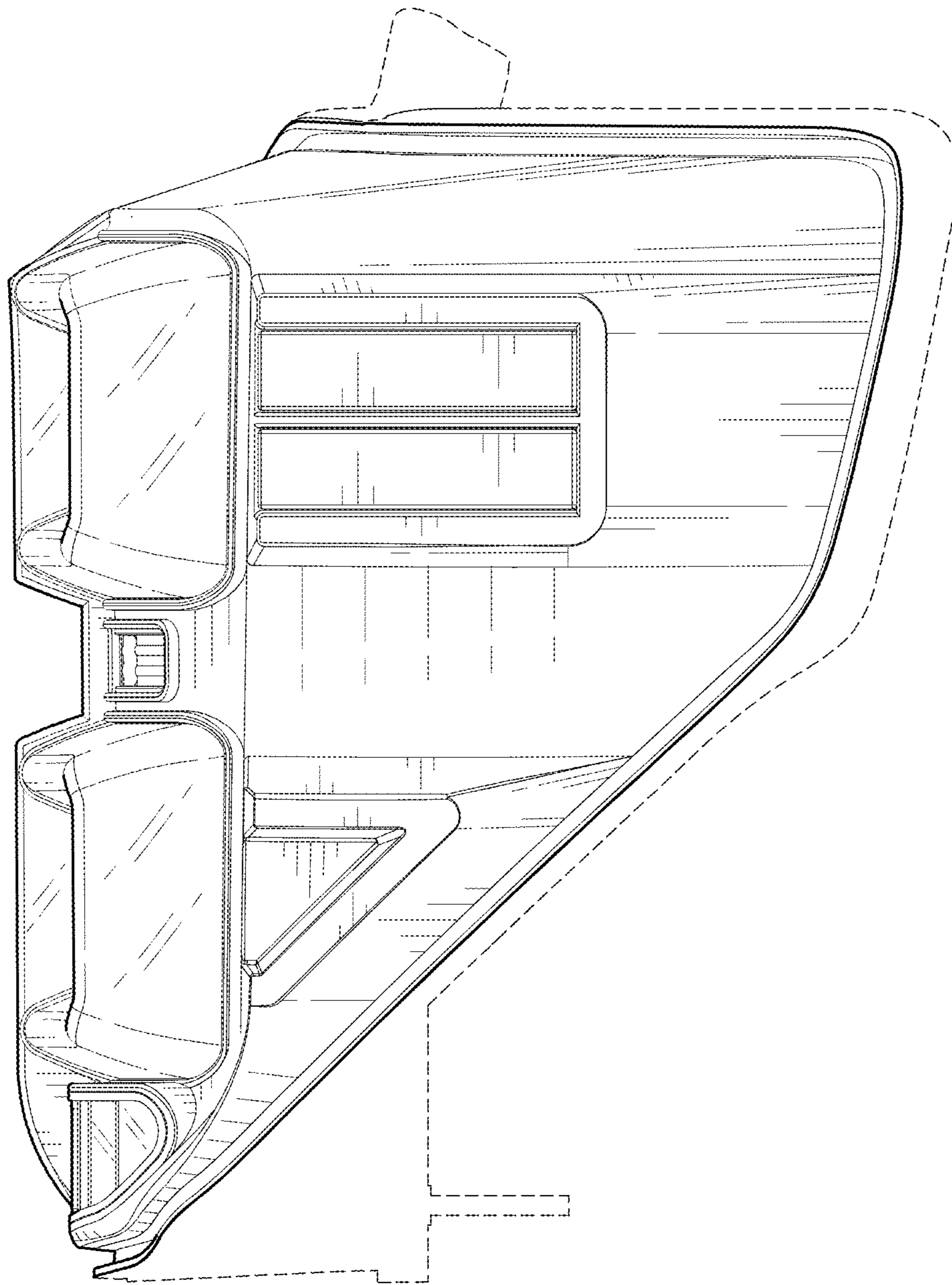


FIG. 4

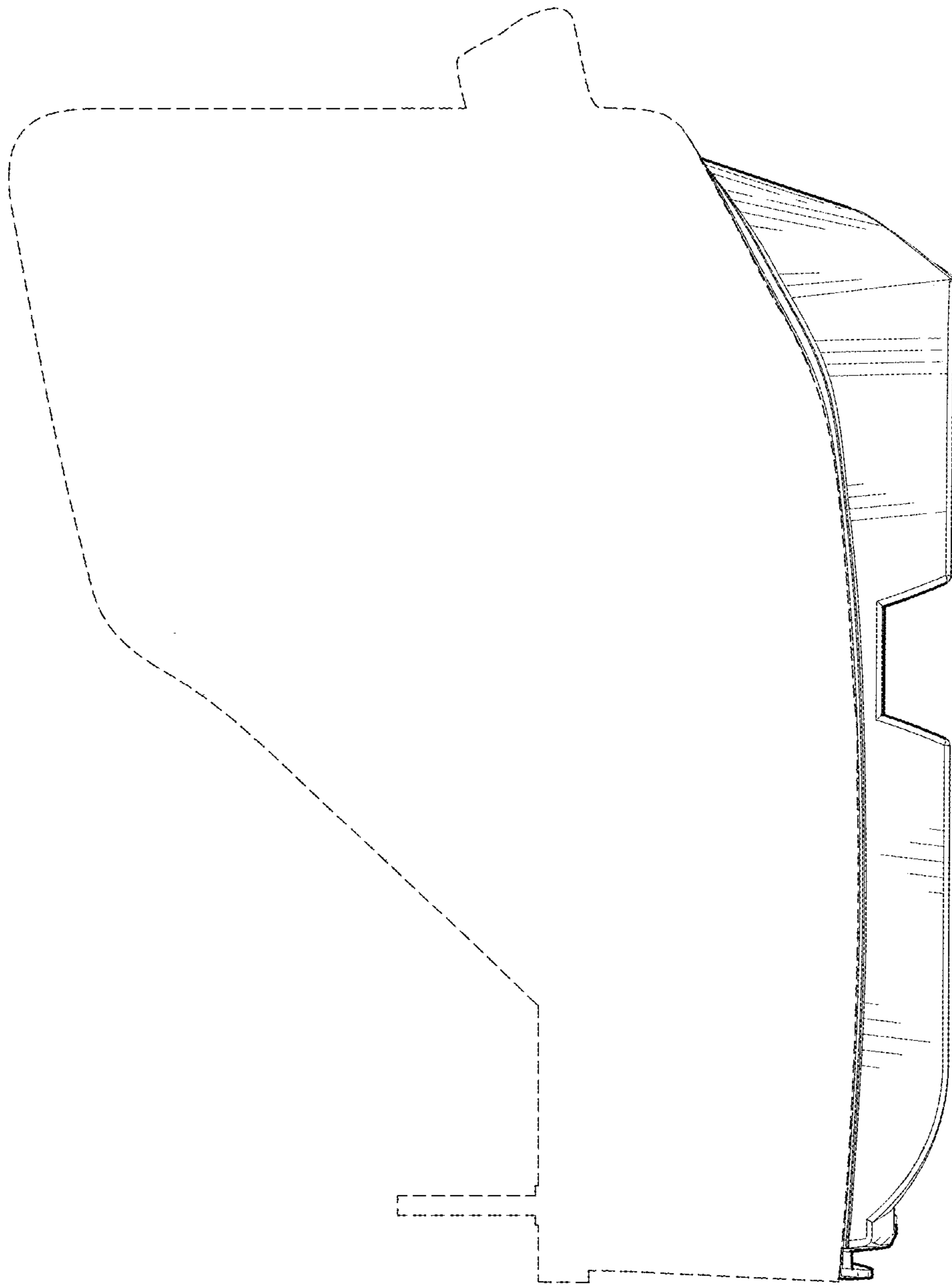


FIG. 5

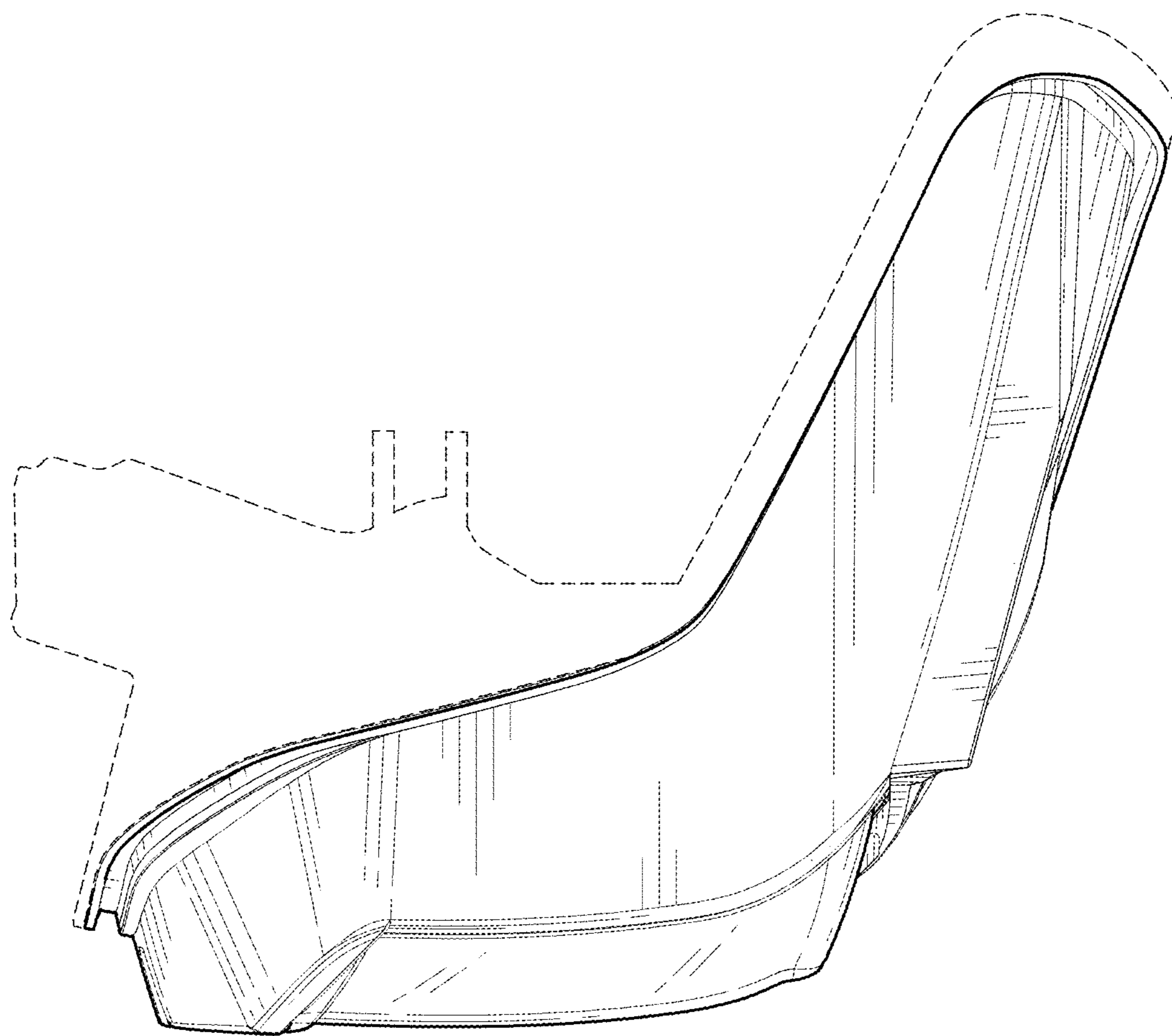


FIG. 6

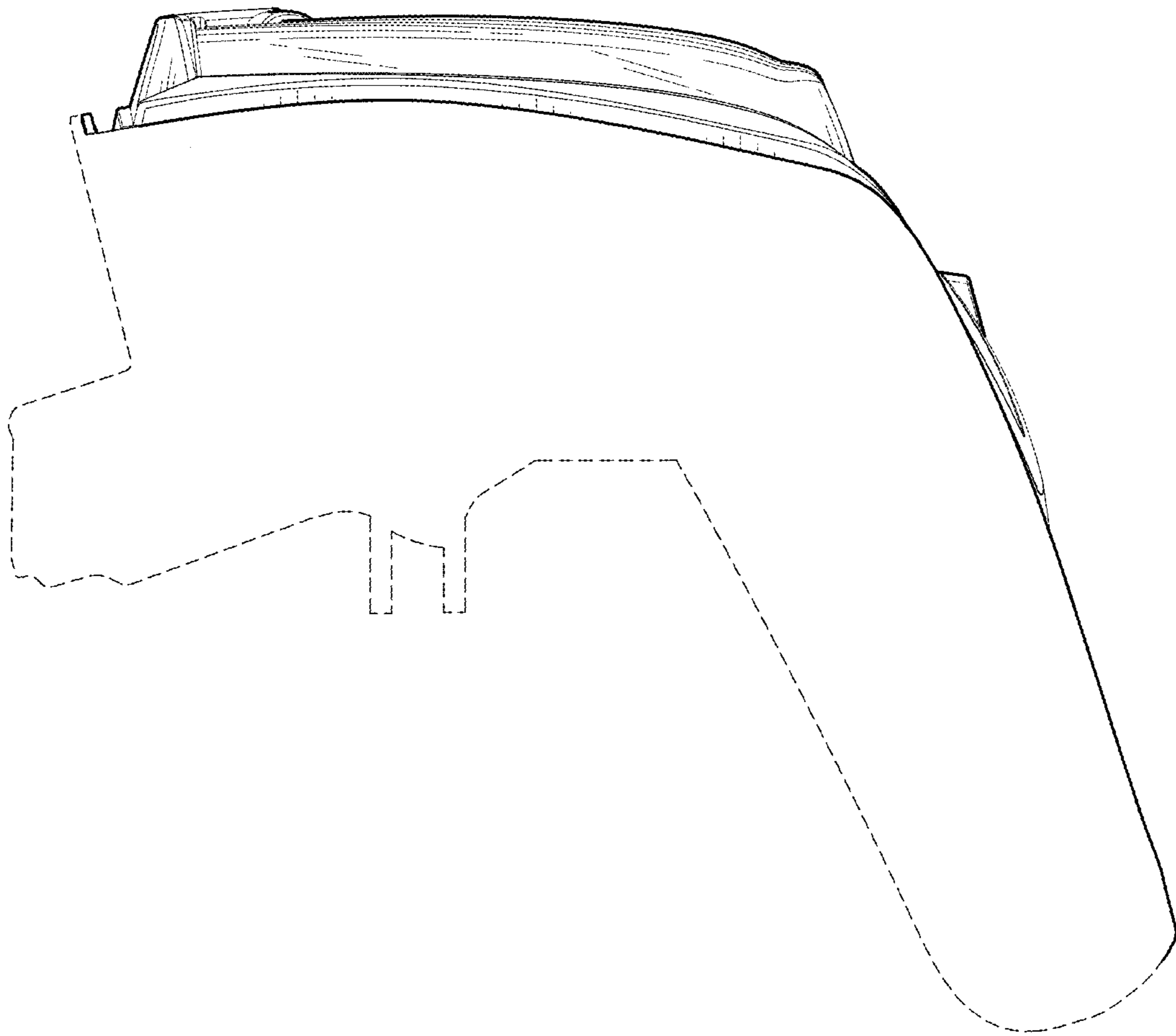


FIG. 7