



US00D938630S

(12) **United States Design Patent** (10) **Patent No.:** **US D938,630 S**
Allmendinger (45) **Date of Patent:** **** Dec. 14, 2021**

(54) **HEADLIGHT FOR A VEHICLE**
(71) Applicant: **Bayerische Motoren Werke Aktiengesellschaft, Munich (DE)**
(72) Inventor: **Georg Allmendinger, Munich (DE)**
(73) Assignee: **Bayerische Motoren Werke Aktiengesellschaft, Munich (DE)**
(**) Term: **15 Years**

D845,521 S 4/2019 Binder
D866,024 S * 11/2019 Hannemann D26/28
D883,533 S * 5/2020 Zhai D26/28
D889,697 S * 7/2020 Tovey D26/28
D891,652 S * 7/2020 Metros D26/28
D893,772 S * 8/2020 Binder D26/28

(21) Appl. No.: **29/734,733**
(22) Filed: **May 15, 2020**

FOREIGN PATENT DOCUMENTS

WO WO DM/074766 5/2011
WO WO DM/076561 2/2012
WO WO DM/206526 2/2020

(30) **Foreign Application Priority Data**
Nov. 18, 2019 (DE) 402019101253.2
(51) **LOC (13) Cl.** **26-06**
(52) **U.S. Cl.**
USPC **D26/28**
(58) **Field of Classification Search**
USPC D26/28-36, 139
CPC F21S 48/00; F21S 48/10; F21S 48/115;
F21S 48/225; F21S 48/1233; F21S
48/1266; F21S 48/1388; F21S 48/2268;
F21V 21/04; F21V 29/004; B60Q 9/13;
B60Q 9/135; B60Q 9/1375
See application file for complete search history.

* cited by examiner

Primary Examiner — Marcus A Jackson
(74) *Attorney, Agent, or Firm* — Crowell & Moring LLP

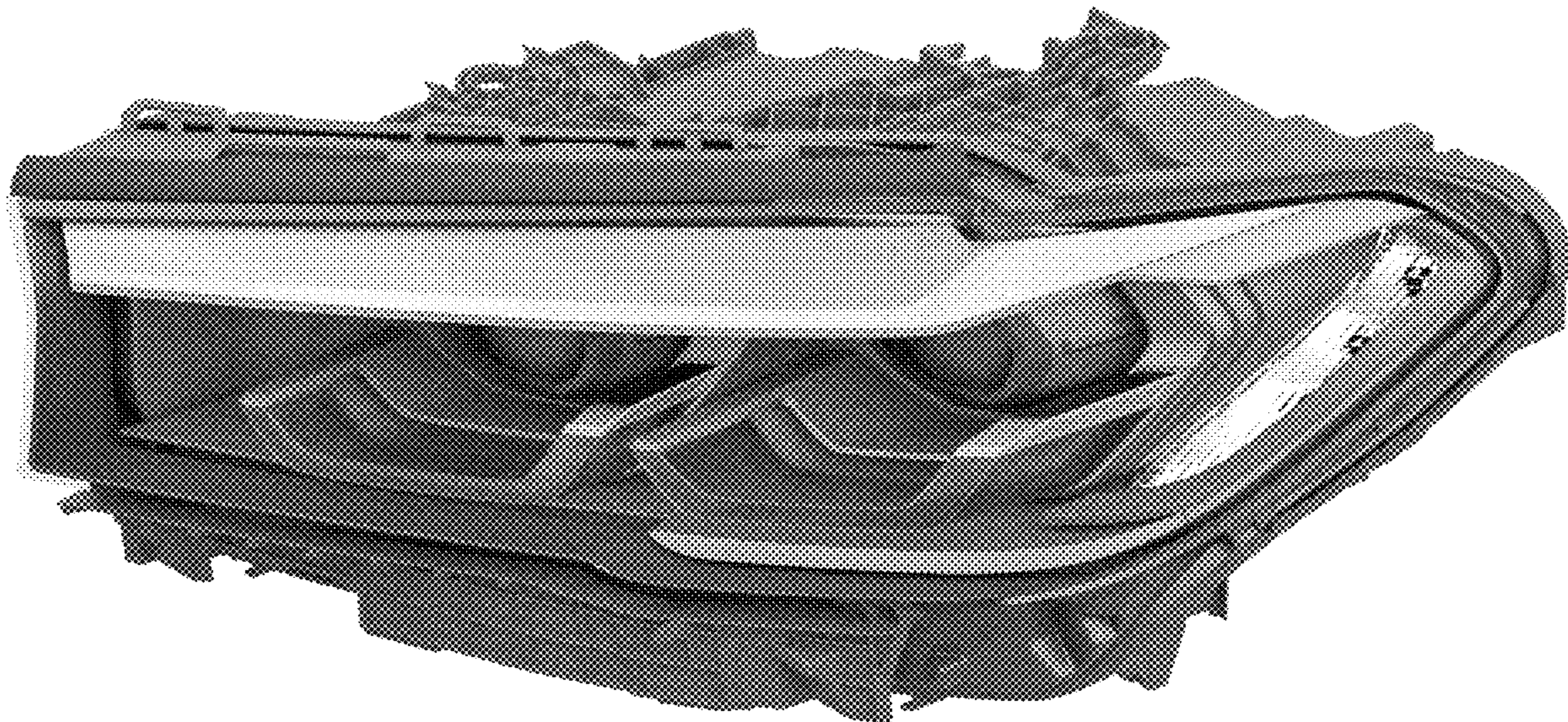
(56) **References Cited**
U.S. PATENT DOCUMENTS
D686,356 S 7/2013 Morgenstern
D723,724 S 3/2015 Johnson
D736,969 S 8/2015 Selvaag
D827,885 S * 9/2018 Hannemann D26/28
D835,313 S * 12/2018 Jung D26/28
D843,615 S 3/2019 Nordmann
D844,187 S * 3/2019 Nordmann D26/28

(57) **CLAIM**
The ornamental design for a headlight for a vehicle, as shown and described.

DESCRIPTION

This application contains subject matter related to the following co-pending U.S. design patent applications: Application Ser. No. 29/725,361, filed Feb. 25, 2020 and entitled "Headlight for a Vehicle"; Application Ser. No. 29/734,734, filed herewith and entitled "Headlight for a Vehicle"; and Application Ser. No. 29/734,735, filed herewith and entitled "Headlight for a Vehicle".
FIG. 1 is a front view of a headlight for a vehicle according to the design;
FIG. 2 is a right, front perspective view thereof;
FIG. 3 is a left, bottom perspective view thereof;
FIG. 4 is a right side view thereof;
FIG. 5 is a left side view thereof;
FIG. 6 is a top view thereof;
FIG. 7 is a bottom view thereof; and,
FIG. 8 is a rear view thereof.

1 Claim, 8 Drawing Sheets



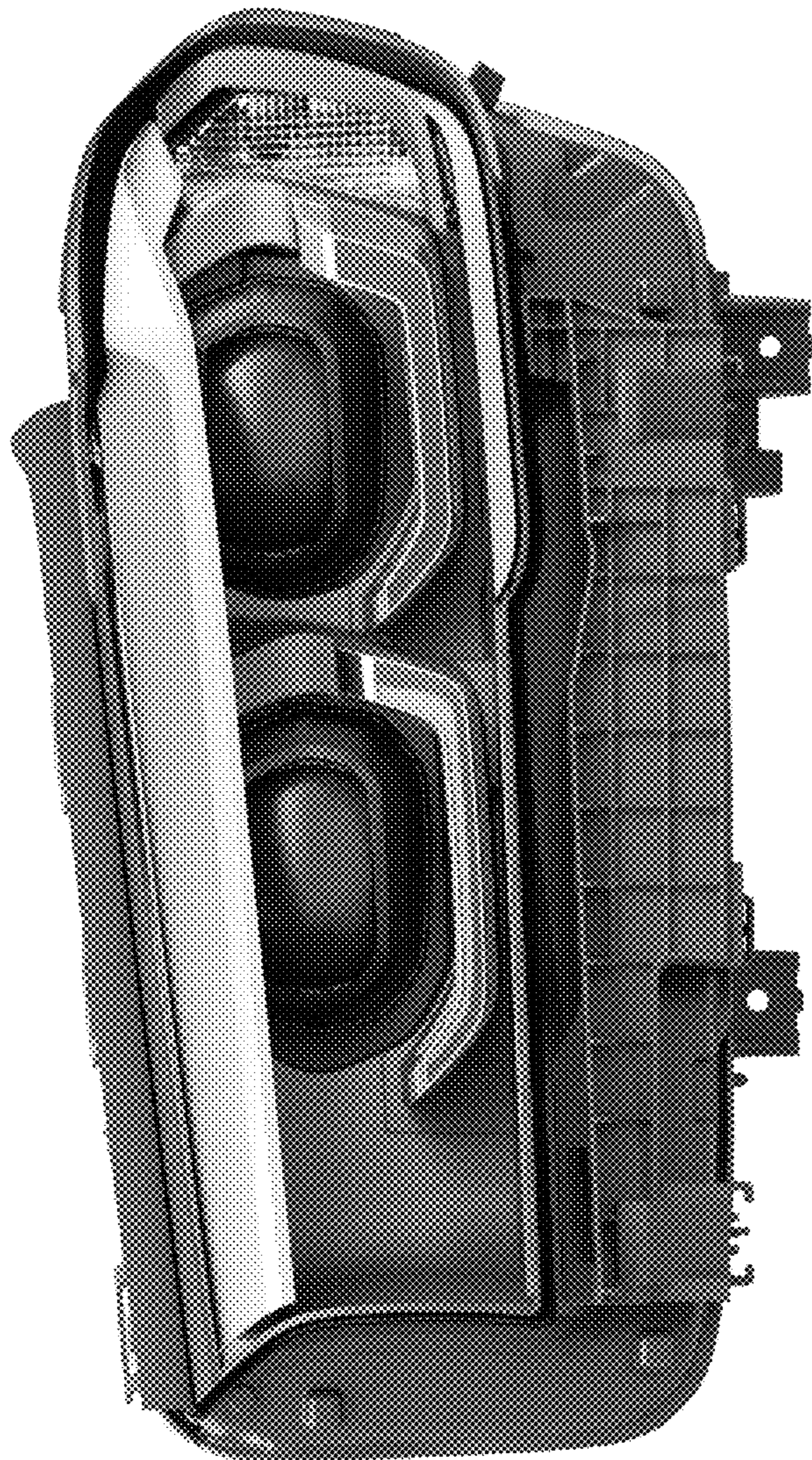


Fig. 1

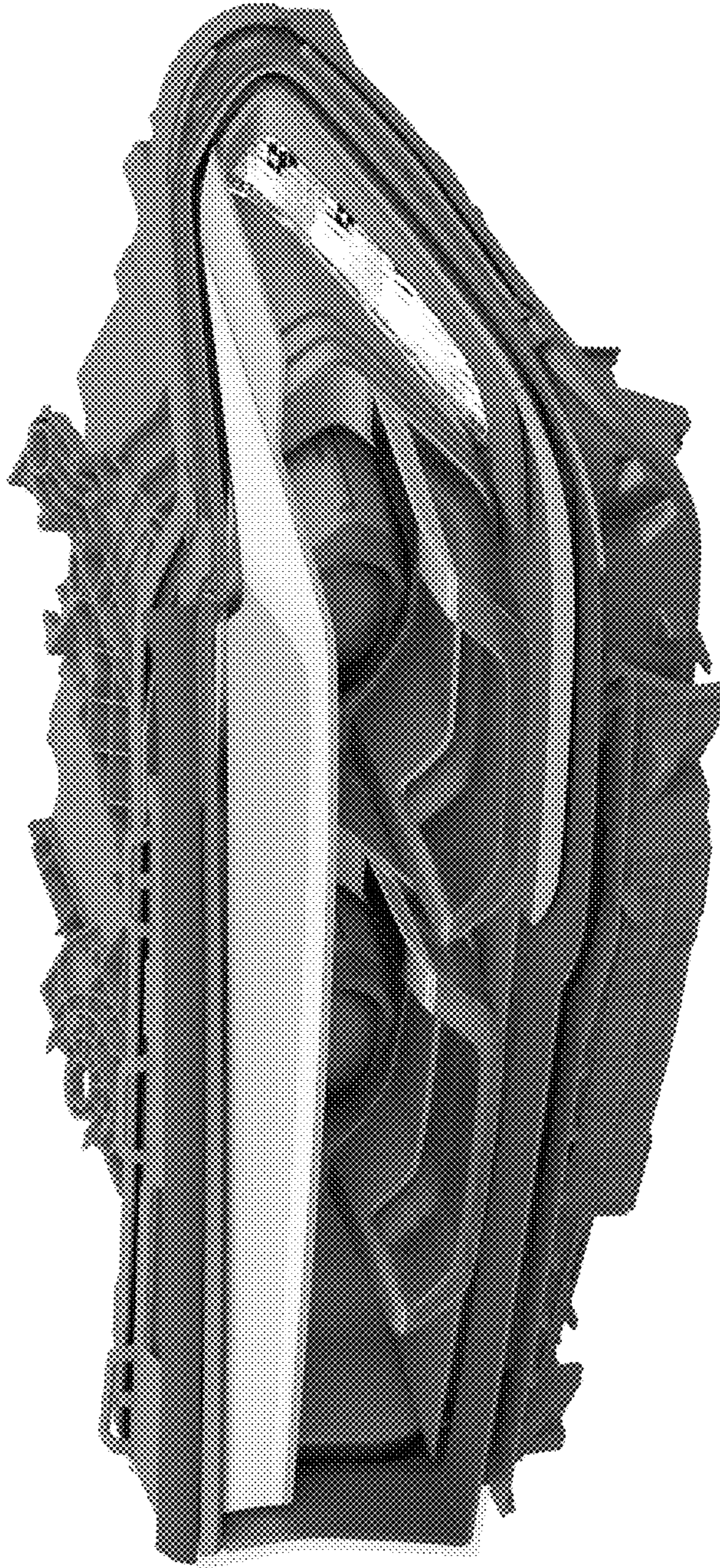


Fig. 2

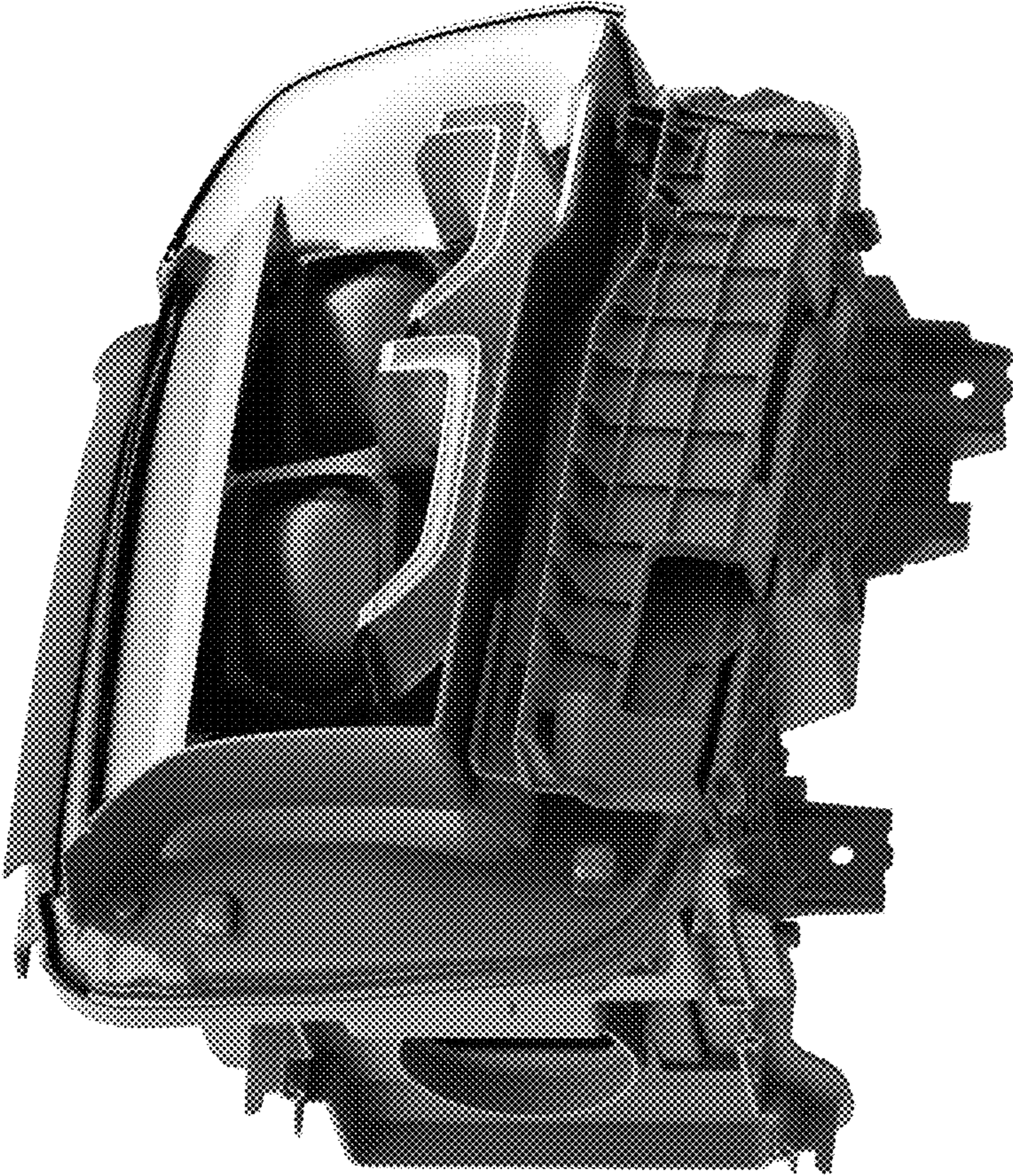


Fig. 3

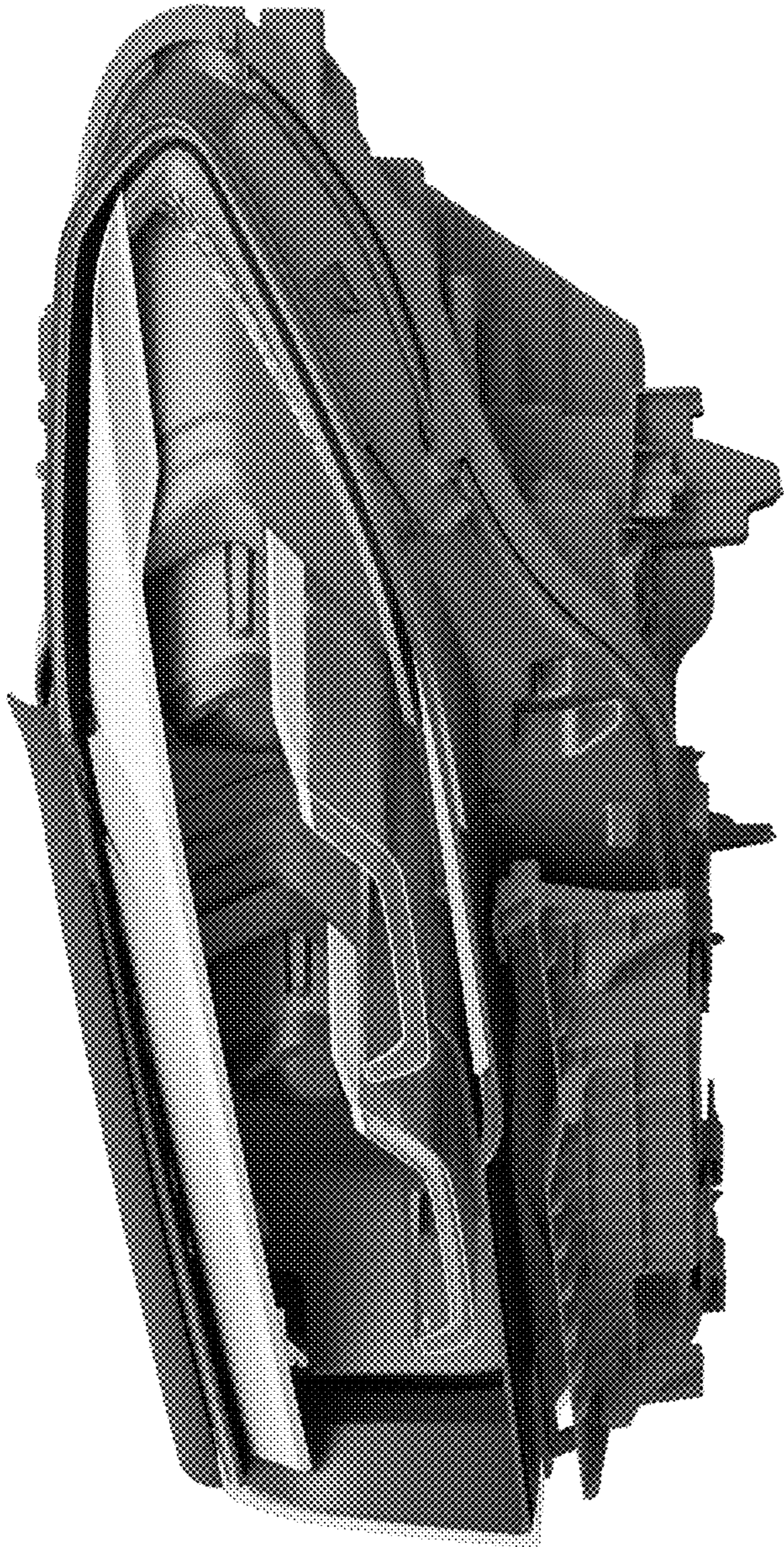


Fig. 4

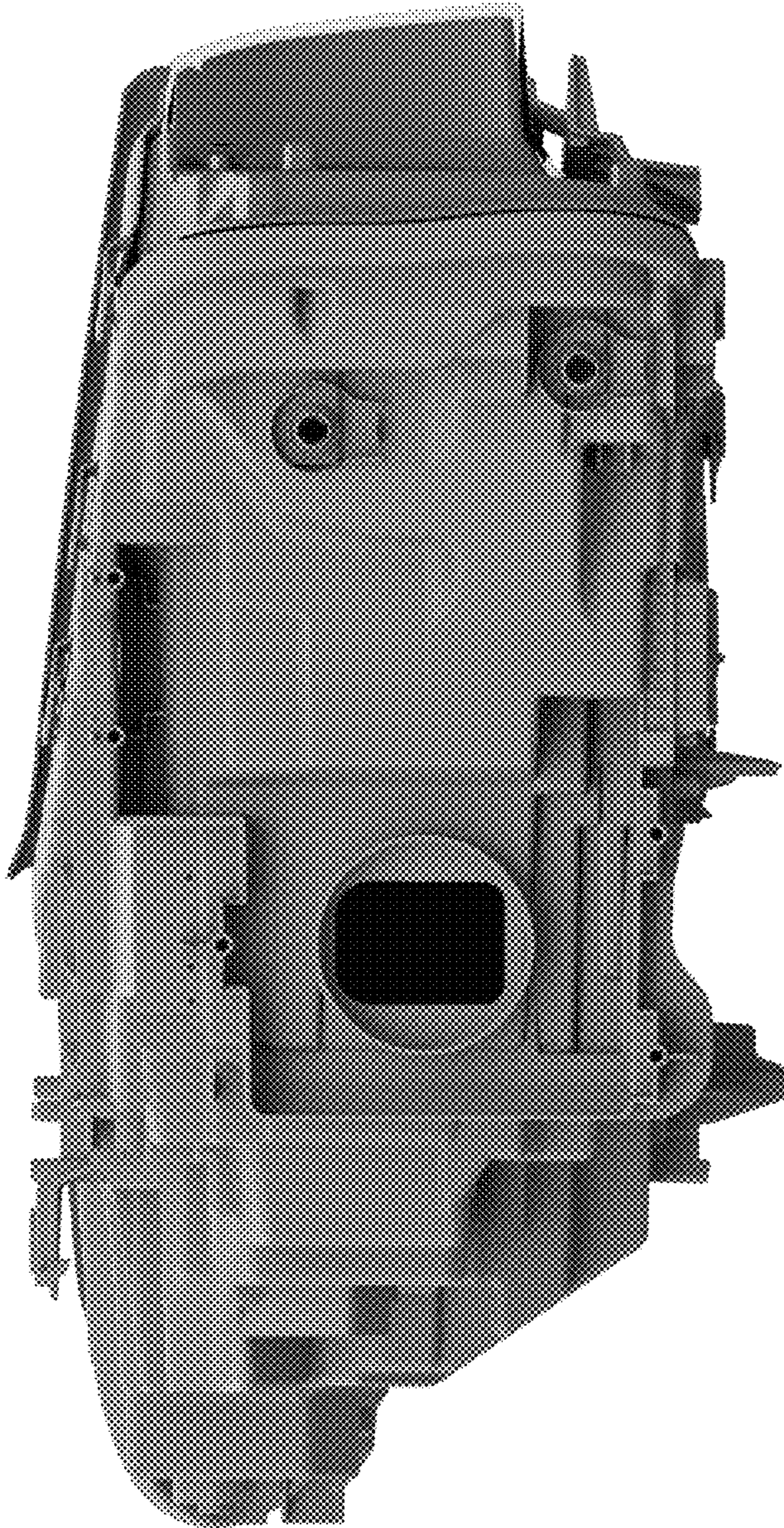


Fig. 5

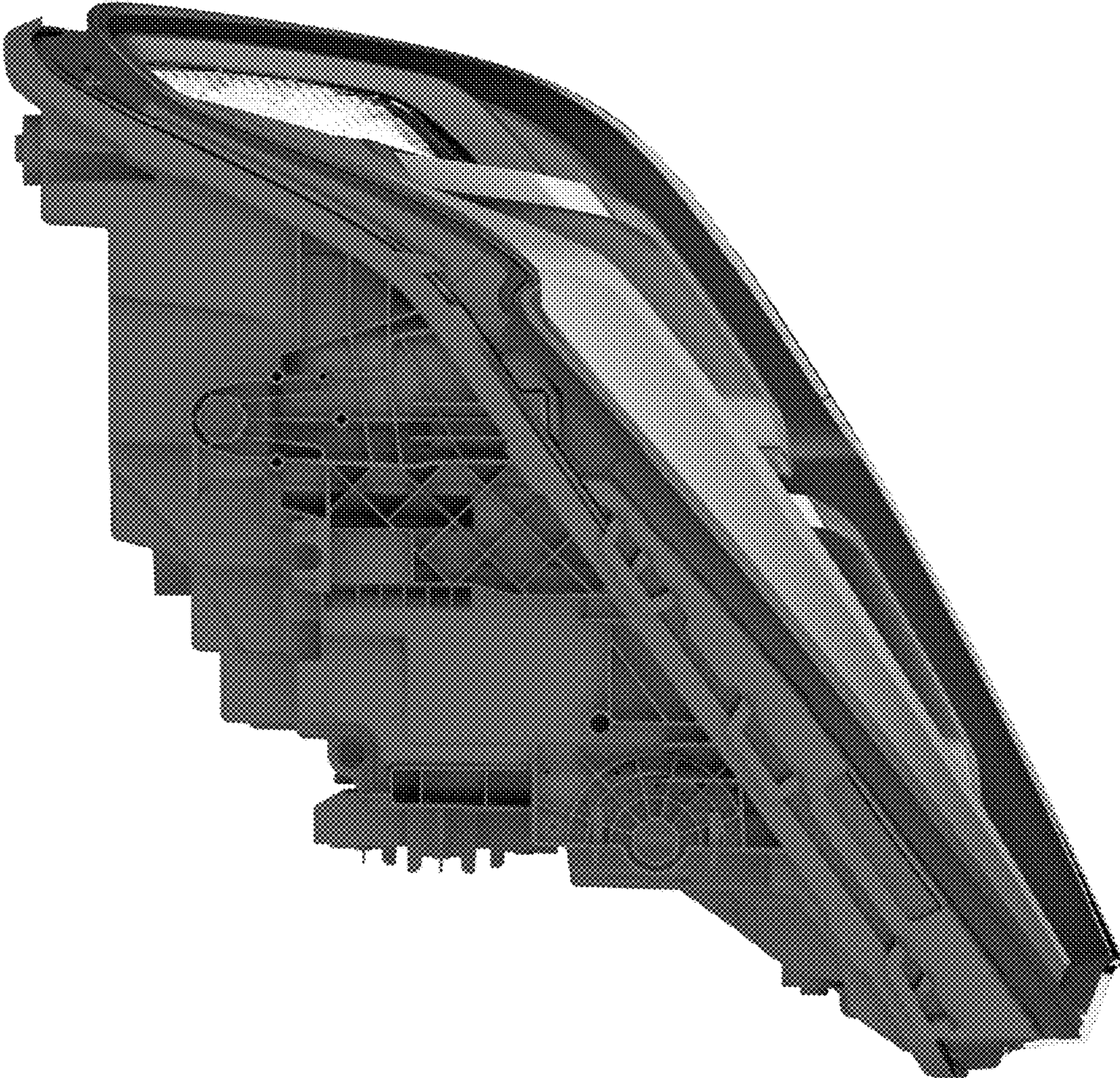


Fig. 6

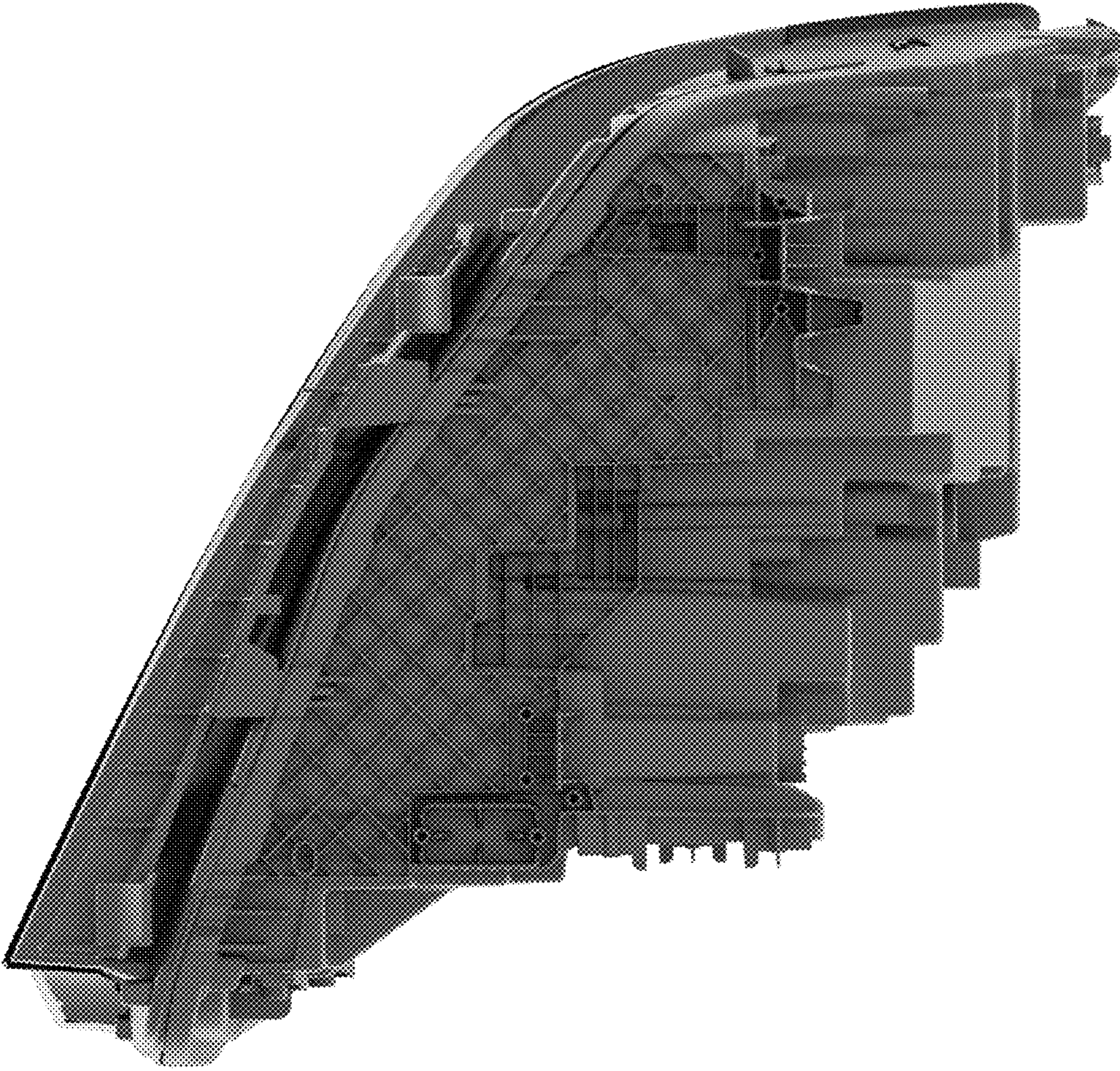


Fig. 7

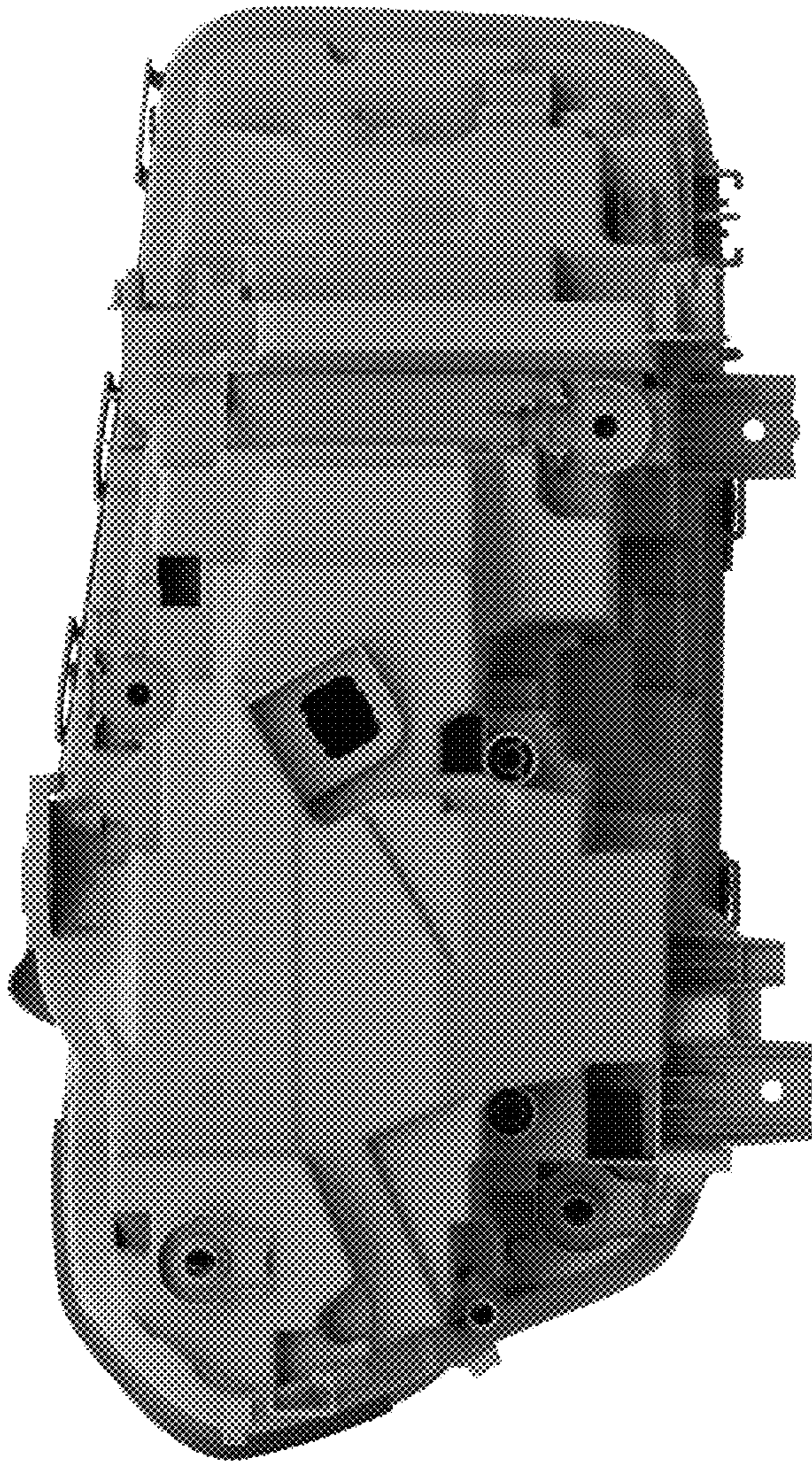


Fig. 8