



US00D938627S

(12) **United States Design Patent**  
**Li**

(10) **Patent No.:** **US D938,627 S**

(45) **Date of Patent:** **\*\* Dec. 14, 2021**

(54) **LED ICICLE LIGHTS ASSEMBLY**

(71) Applicant: **Shaoyong Li**, Hu'nan (CN)

(72) Inventor: **Shaoyong Li**, Hu'nan (CN)

(\*\*) Term: **15 Years**

(21) Appl. No.: **29/769,929**

(22) Filed: **Feb. 8, 2021**

(51) **LOC (13) Cl.** ..... **26-04**

(52) **U.S. Cl.**  
USPC ..... **D26/25**

(58) **Field of Classification Search**  
USPC .... D26/1, 24, 25, 37, 40-45, 48-50, 60, 61,  
D26/63, 93, 106, 107, 108, 113, 119  
CPC ..... F21S 4/00; F21S 4/15; F21S 2/00; F21V  
21/08  
See application file for complete search history.

(56) **References Cited**

U.S. PATENT DOCUMENTS

4,733,488	A *	3/1988	Yokoyama	.....	A47G 33/08 313/498
D381,287	S *	7/1997	Fussell	.....	D11/119
7,063,452	B2 *	6/2006	Kuo	.....	F21V 19/0005 362/249.06
8,376,584	B1 *	2/2013	Jenko	.....	F21S 4/10 362/249.18
9,140,438	B2 *	9/2015	Chen	.....	H01B 7/18
D880,022	S	3/2020	Gong	.....	
D909,630	S	2/2021	Liu	.....	
D910,889	S *	2/2021	Zhou	.....	D26/25
D917,083	S *	4/2021	Zhou	.....	D26/25

D917,084	S *	4/2021	Zhou	.....	D26/25
D921,936	S *	6/2021	Zhou	.....	D26/25
D924,449	S *	7/2021	Zhang	.....	D26/25

\* cited by examiner

*Primary Examiner* — Mark A Goodwin

*Assistant Examiner* — Benjamin M Weeks

(74) *Attorney, Agent, or Firm* — ScienBiziP, P.C.

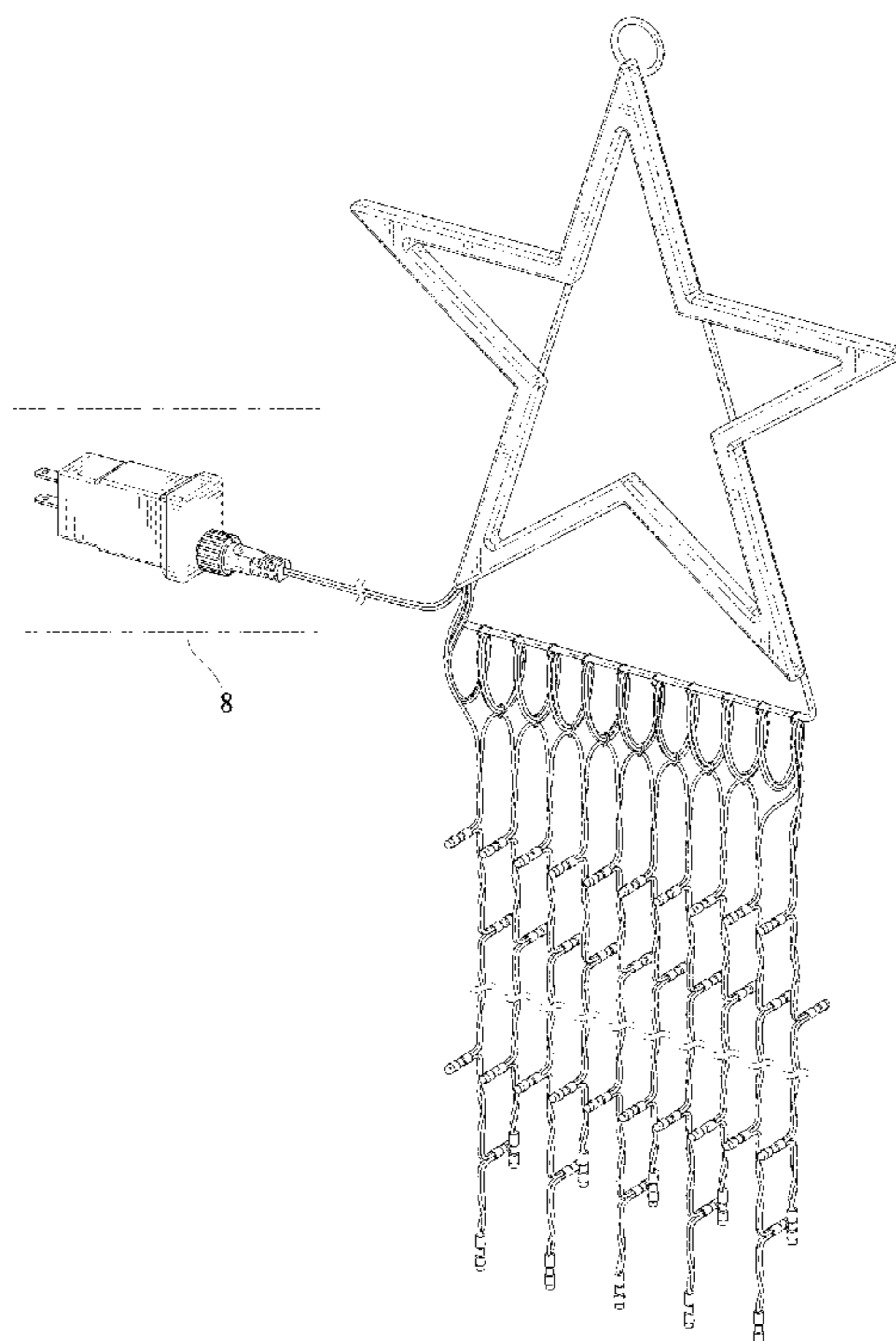
(57) **CLAIM**

The ornamental design for a LED icicle lights assembly, as shown and described.

**DESCRIPTION**

FIG. 1 is a front, right, and top perspective view of LED icicle lights assembly, showing my design.  
 FIG. 2 is a front elevation view thereof.  
 FIG. 3 is a rear elevation view thereof.  
 FIG. 4 is a left side elevation view thereof.  
 FIG. 5 is a right side elevation view thereof.  
 FIG. 6 is a top plan view thereof.  
 FIG. 7 is a bottom plan view thereof.  
 FIG. 8 is a partial enlarged view of an area labeled 8 in FIG. 1 comprising a plug; and,  
 FIG. 9 is an exploded view of the plug of the LED icicle lights assembly.  
 The broken lines shown in the drawings are included for the purpose of illustrating portions of the LED icicle lights assembly that form no part of the claimed design.  
 The cables are shown with a symbolic break in its length.  
 The appearance of any portion of the article between the breaks lines forms no part of the claimed design.

**1 Claim, 9 Drawing Sheets**



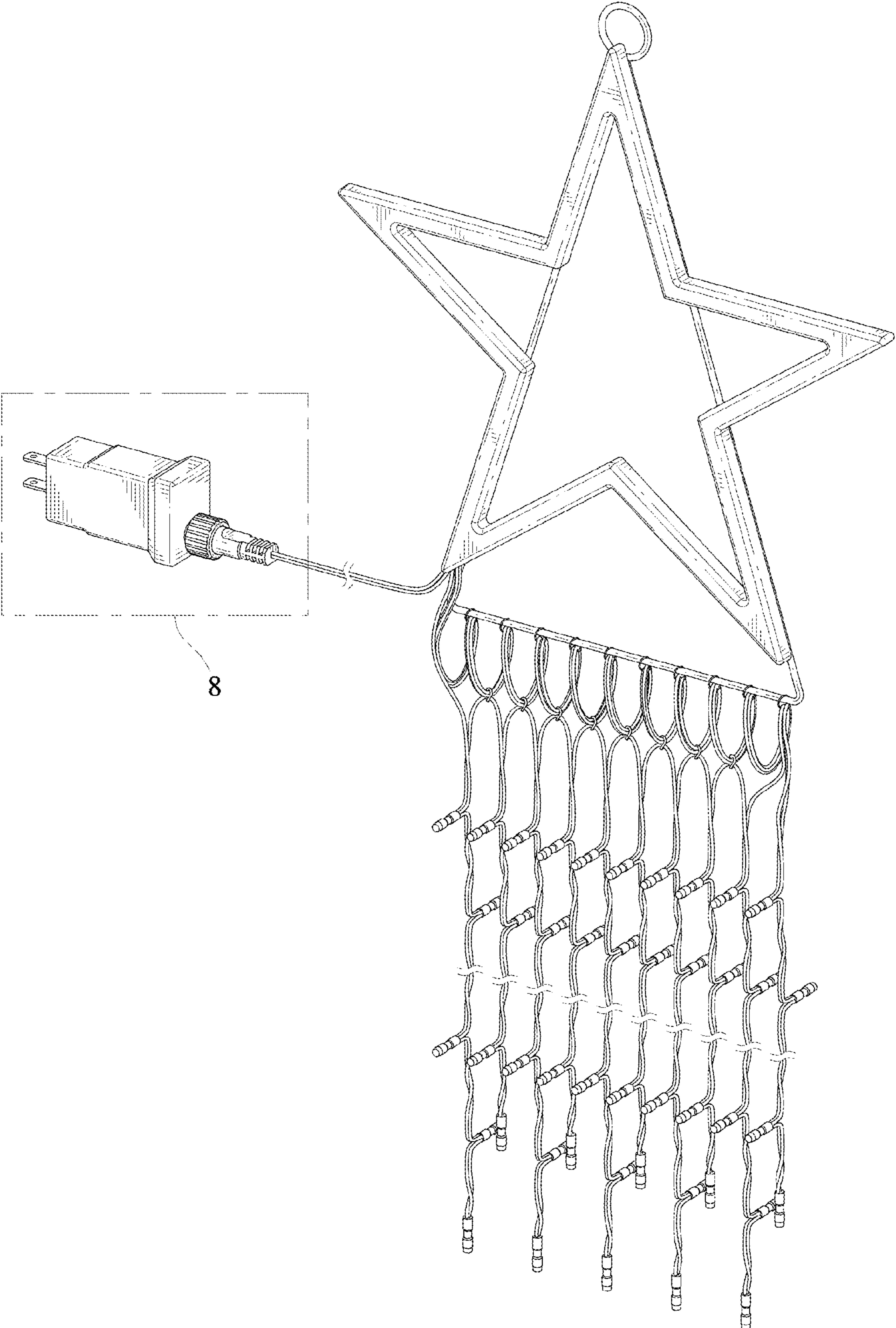


FIG.1

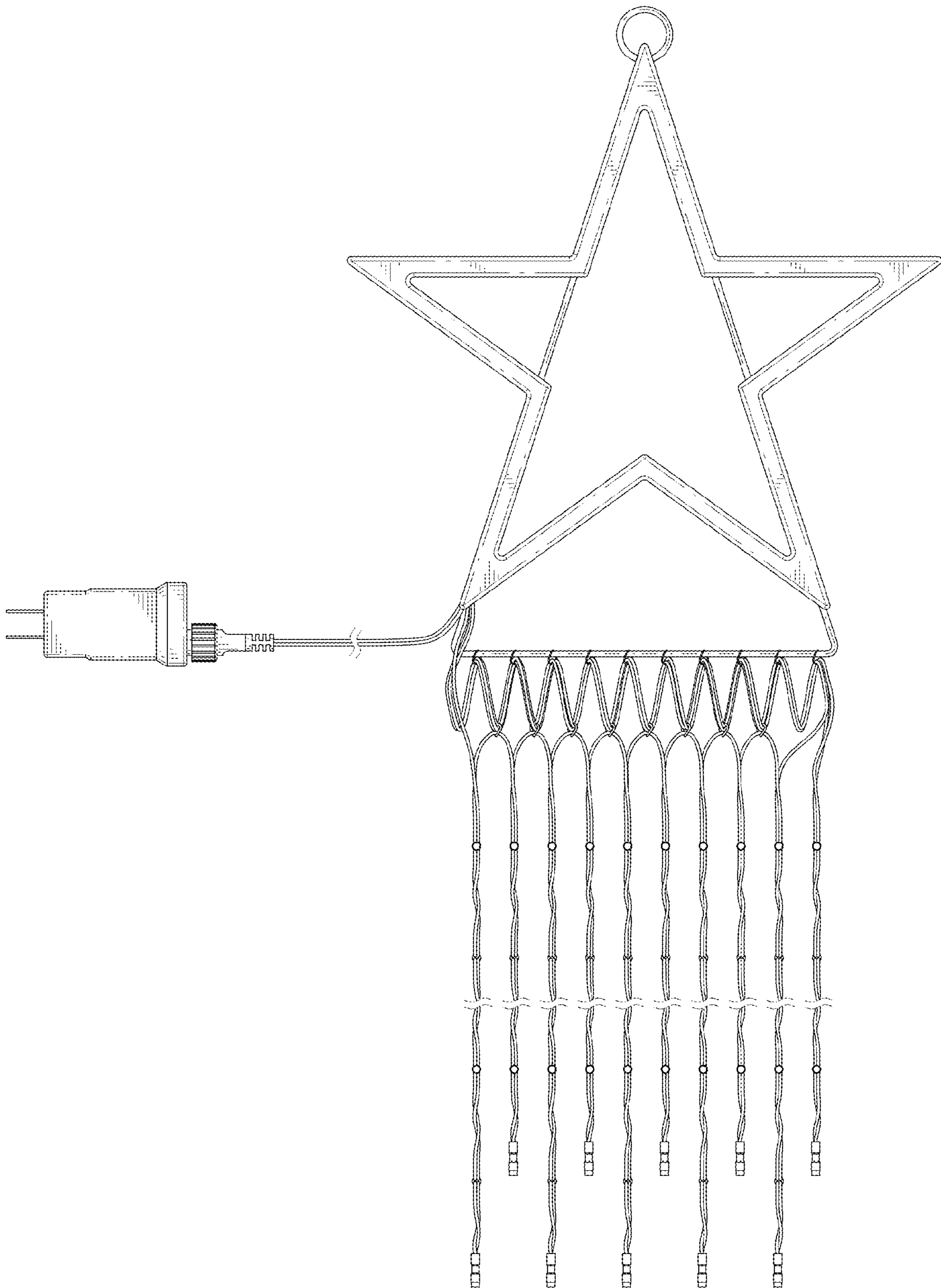


FIG.2

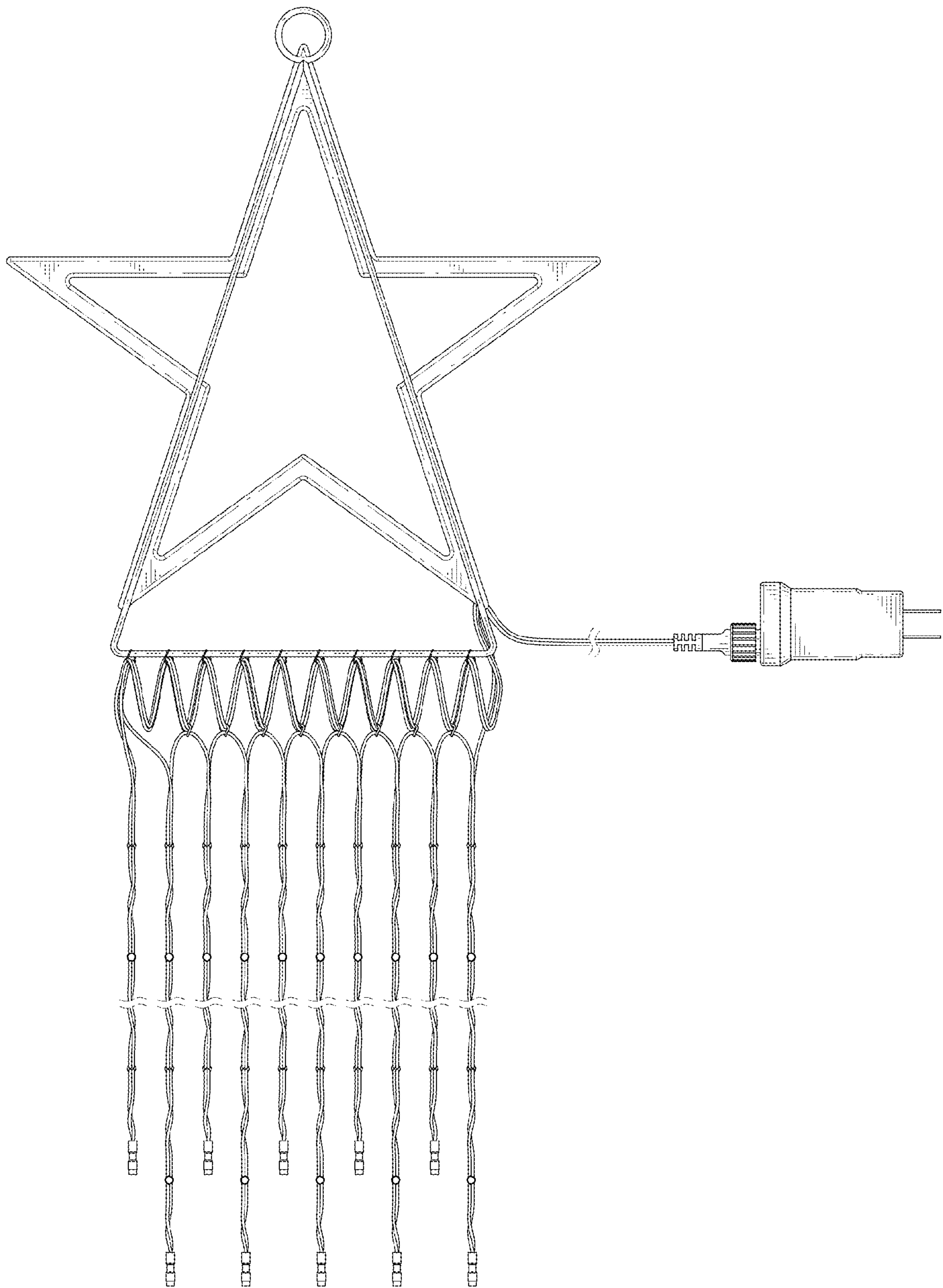


FIG.3

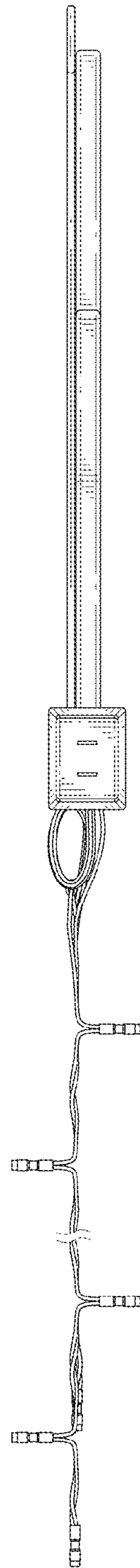


FIG.4

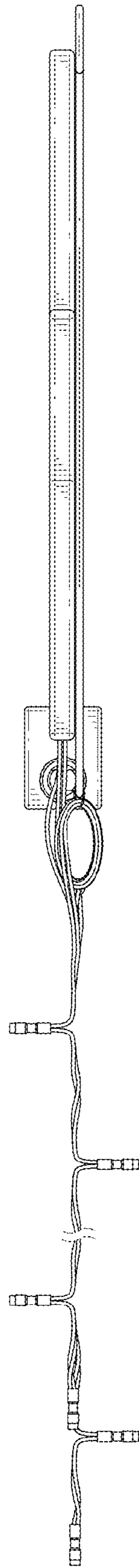


FIG.5

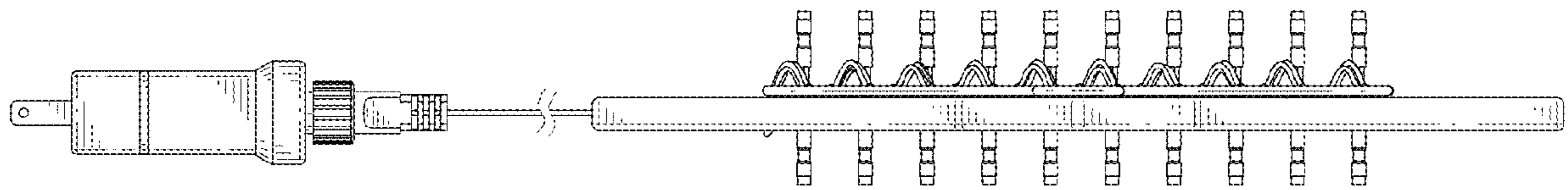


FIG.6

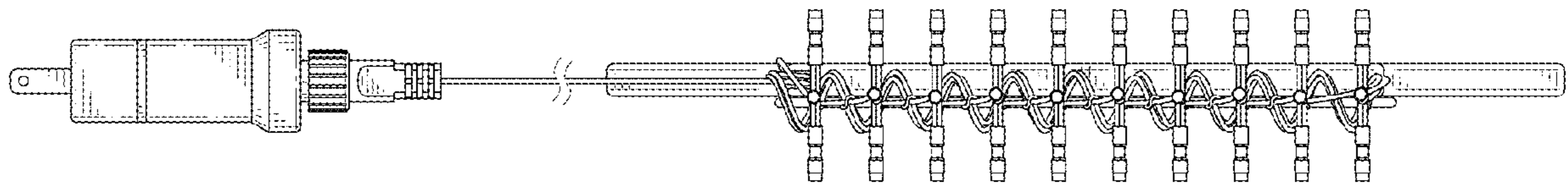


FIG.7



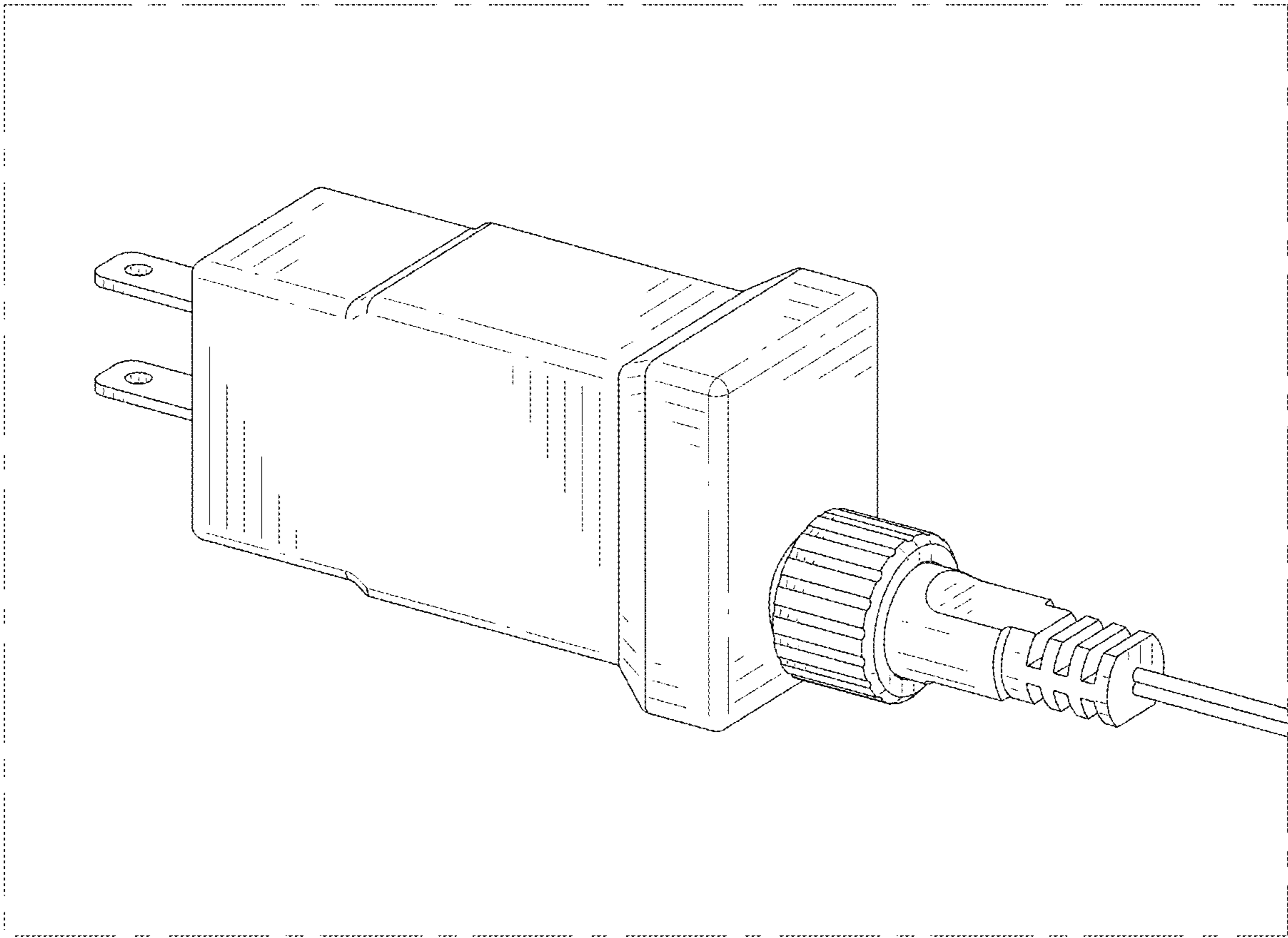


FIG.8

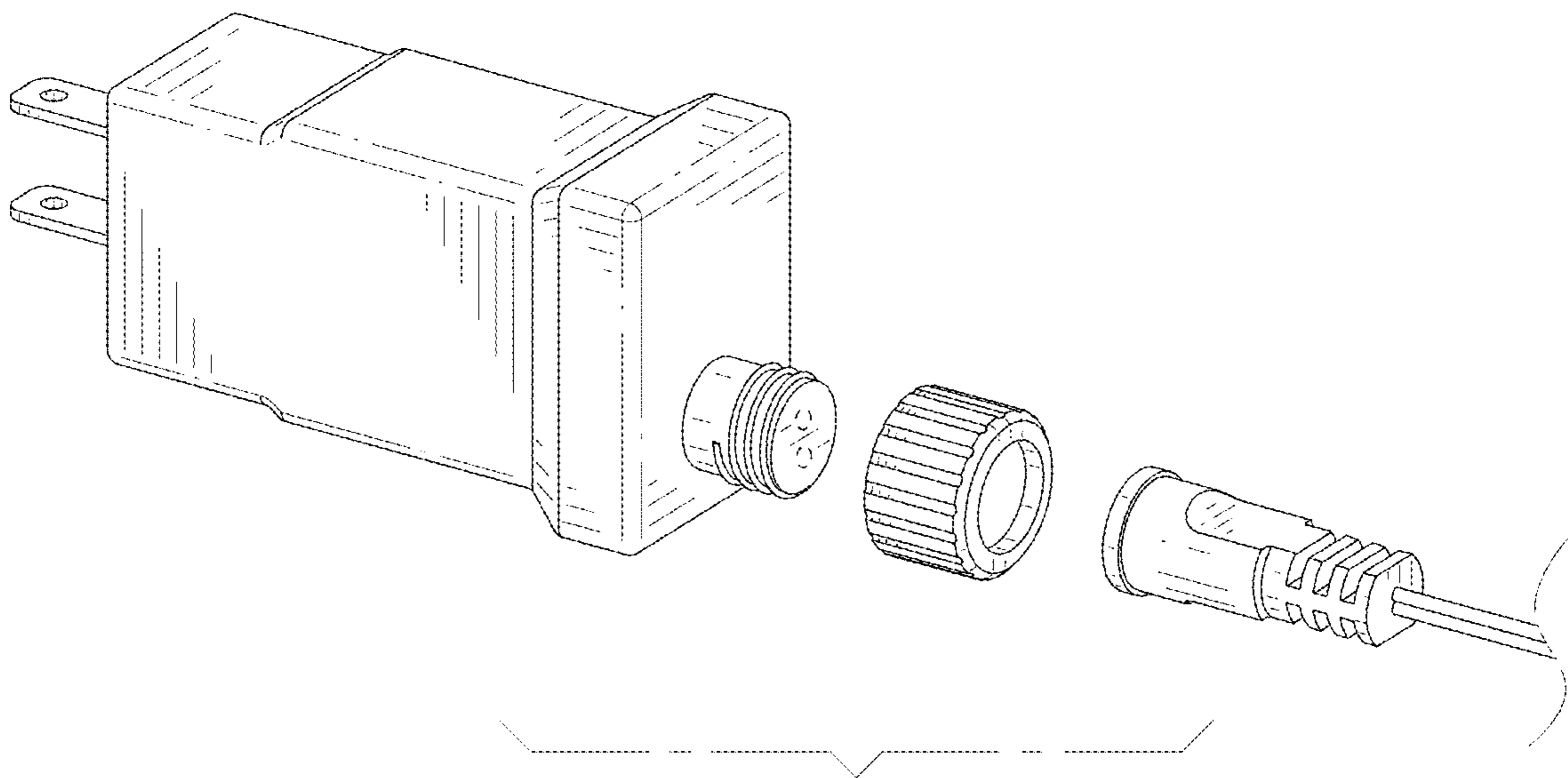


FIG.9