



US00D938626S

(12) **United States Design Patent** (10) **Patent No.:** **US D938,626 S**  
**Chen** (45) **Date of Patent:** **\*\* Dec. 14, 2021**

(54) **LIGHT**

(71) Applicant: **Guangdong Chuanglv Industrial Co., Ltd**, Guangdong (CN)

(72) Inventor: **Jiao Chen**, Guangdong (CN)

(73) Assignee: **Guangdong Chuanglv Industrial Co., Ltd**, Guangzhou (CN)

(\*\*) Term: **15 Years**

(21) Appl. No.: **29/731,674**

(22) Filed: **Apr. 17, 2020**

(30) **Foreign Application Priority Data**

Nov. 26, 2019 (CN) ..... 201930654514.2

(51) **LOC (13) Cl.** ..... **26-04**

(52) **U.S. Cl.**  
USPC ..... **D26/2**

(58) **Field of Classification Search**

USPC ..... D26/1-11

CPC ..... H01R 5/00; H01R 13/46; H01R 13/514;

H01R 31/048; H01R 31/02; H01J 5/00;

H01J 5/16; H01J 1/02; H01J 15/00; H01J

5/48; H01J 5/50; H01J 19/54; F21V 5/00;

F21K 9/00; F21K 13/00

See application file for complete search history.

(56) **References Cited**

U.S. PATENT DOCUMENTS

D745,709 S \* 12/2015 Iguma ..... D26/2

D761,973 S \* 7/2016 Moon ..... D26/2

D780,347 S \* 2/2017 Shum ..... D26/2

D781,468 S \* 3/2017 Shum ..... D26/2

\* cited by examiner

*Primary Examiner* — Marcus A Jackson

(57) **CLAIM**

The ornamental design for a light, as shown and described.

**DESCRIPTION**

FIG. 1 is a top, front and right side perspective view of a light showing my new design;

FIG. 2 is a bottom and rear side perspective view thereof;

FIG. 3 is a front elevational view thereof;

FIG. 4 is a rear elevational view thereof;

FIG. 5 is a left side view thereof;

FIG. 6 is a right side view thereof;

FIG. 7 is a top plan view thereof;

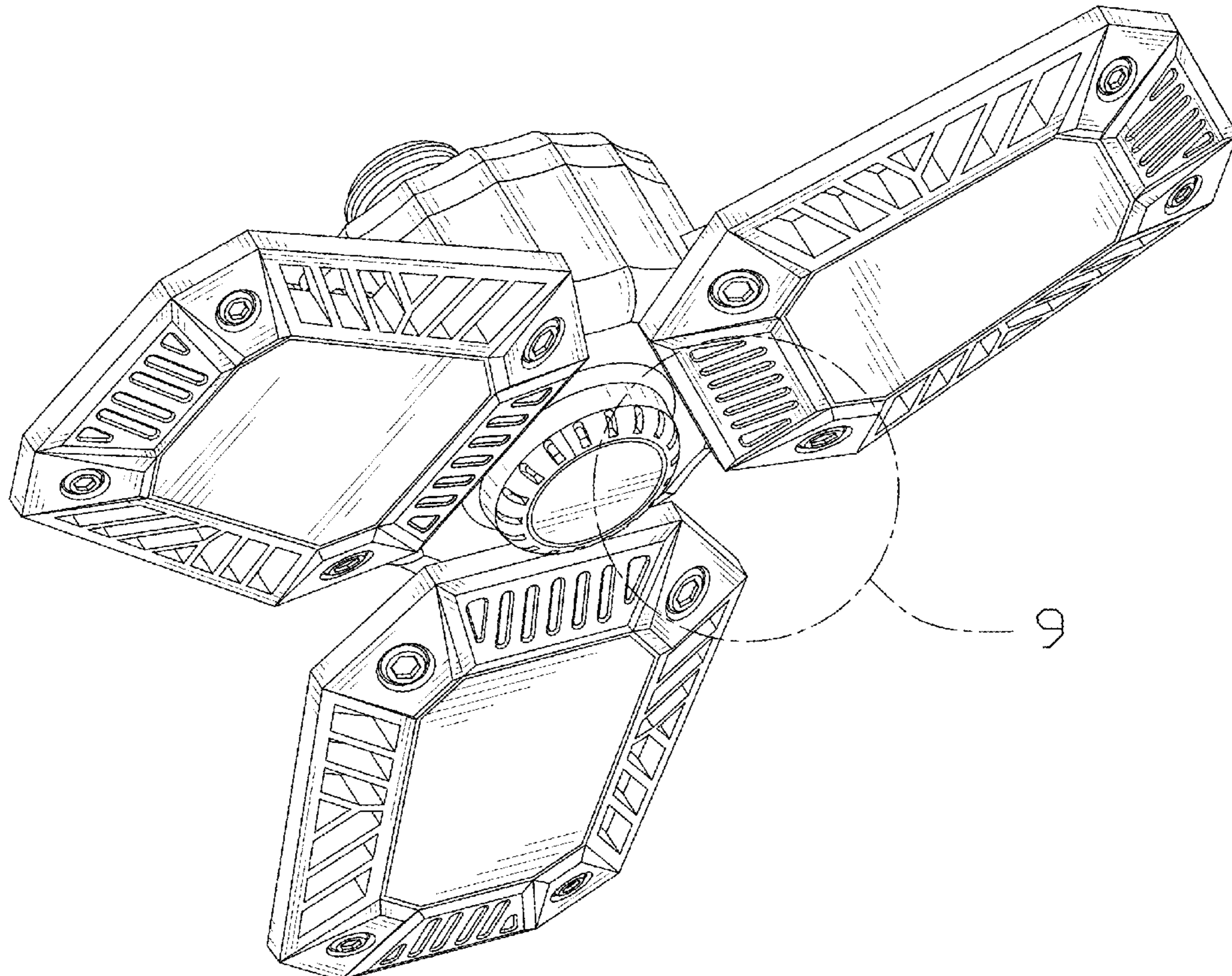
FIG. 8 is a bottom plan view thereof;

FIG. 9 is an enlarged view of portion 9 in FIG. 1; and,

FIG. 10 is an enlarged view of portion 10 in FIG. 8.

The broken lines in the drawings illustrate portions of the light which form no part of the claimed design.

**1 Claim, 10 Drawing Sheets**



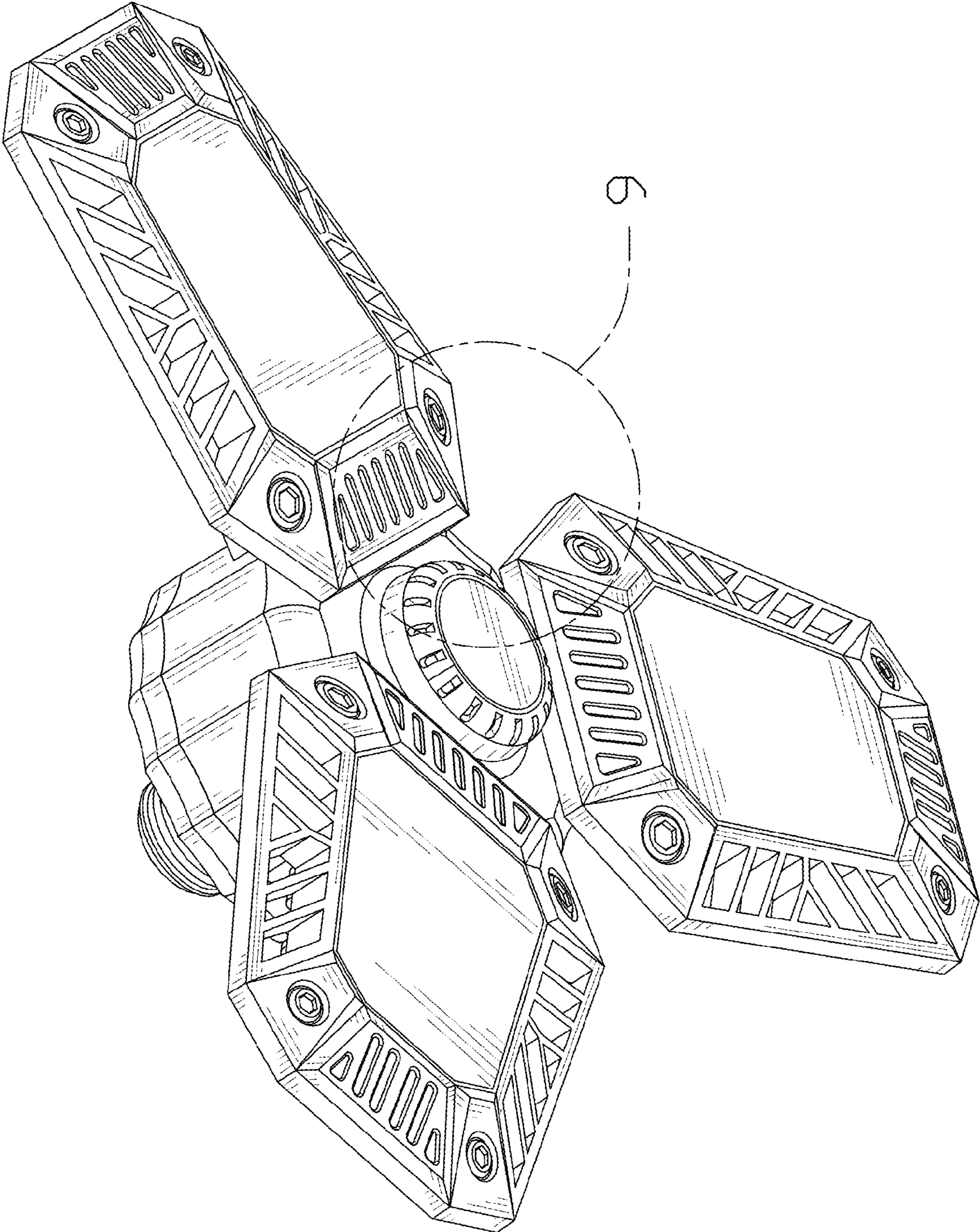


FIG. 1

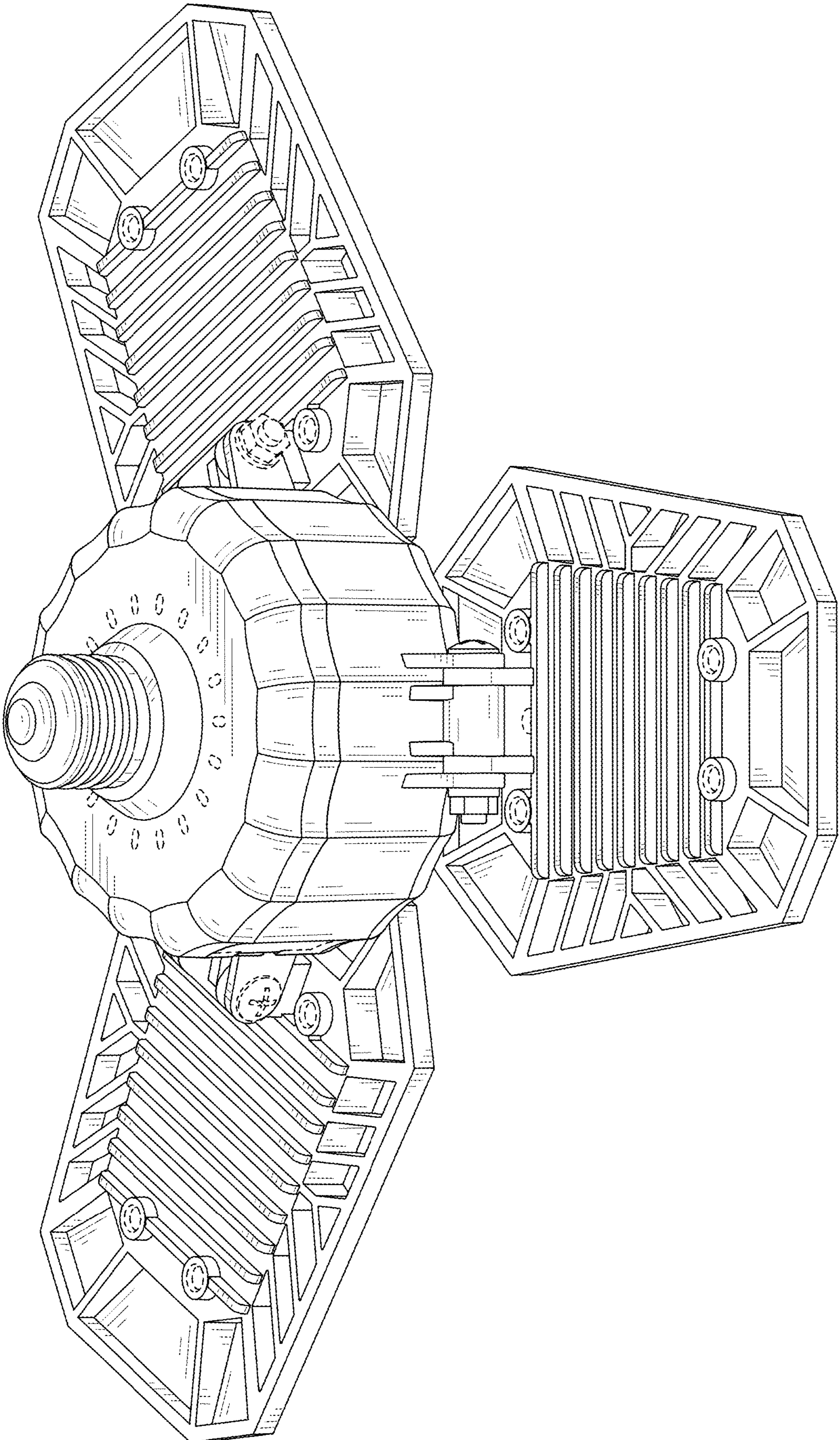


FIG. 2

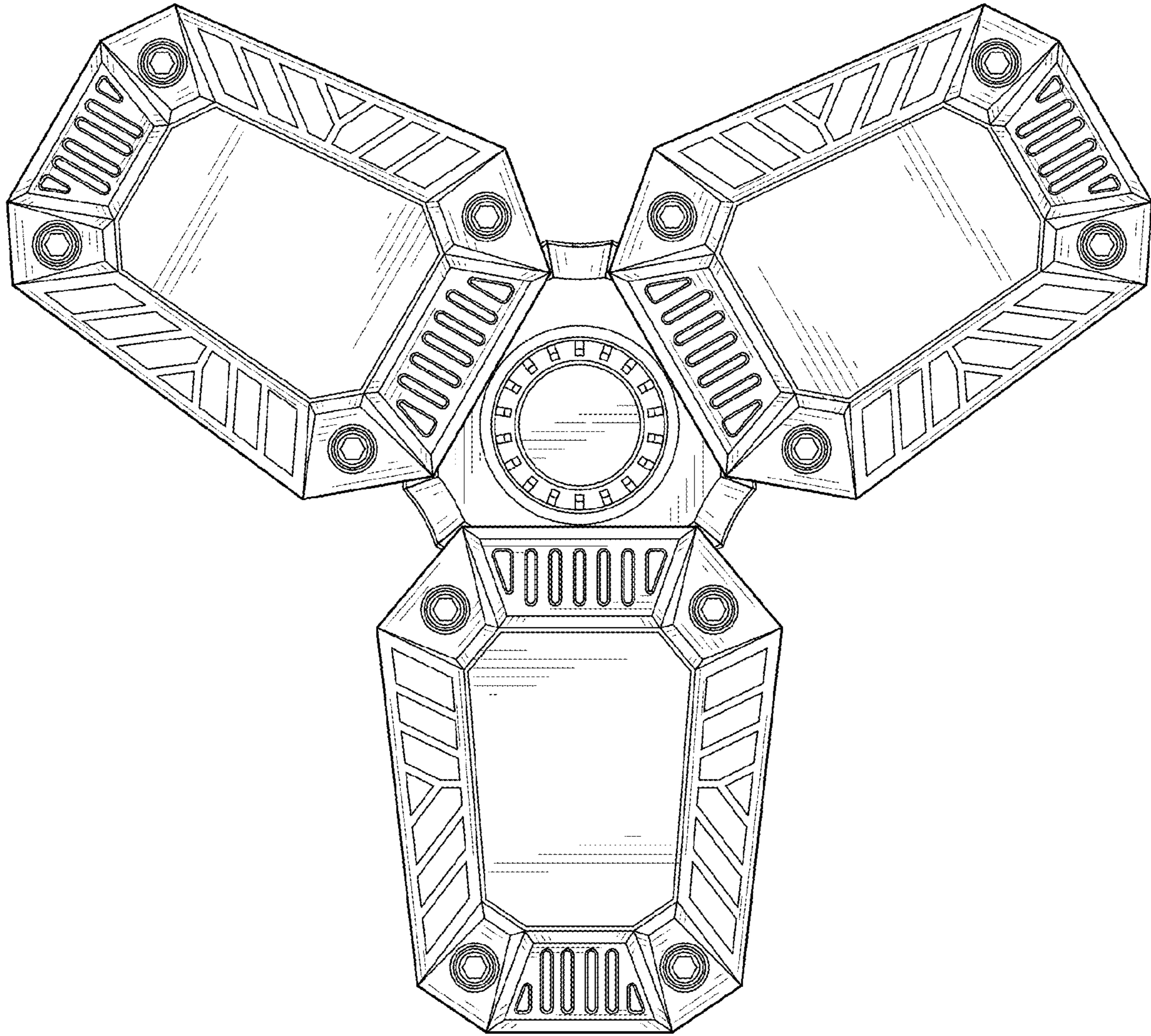


FIG. 3

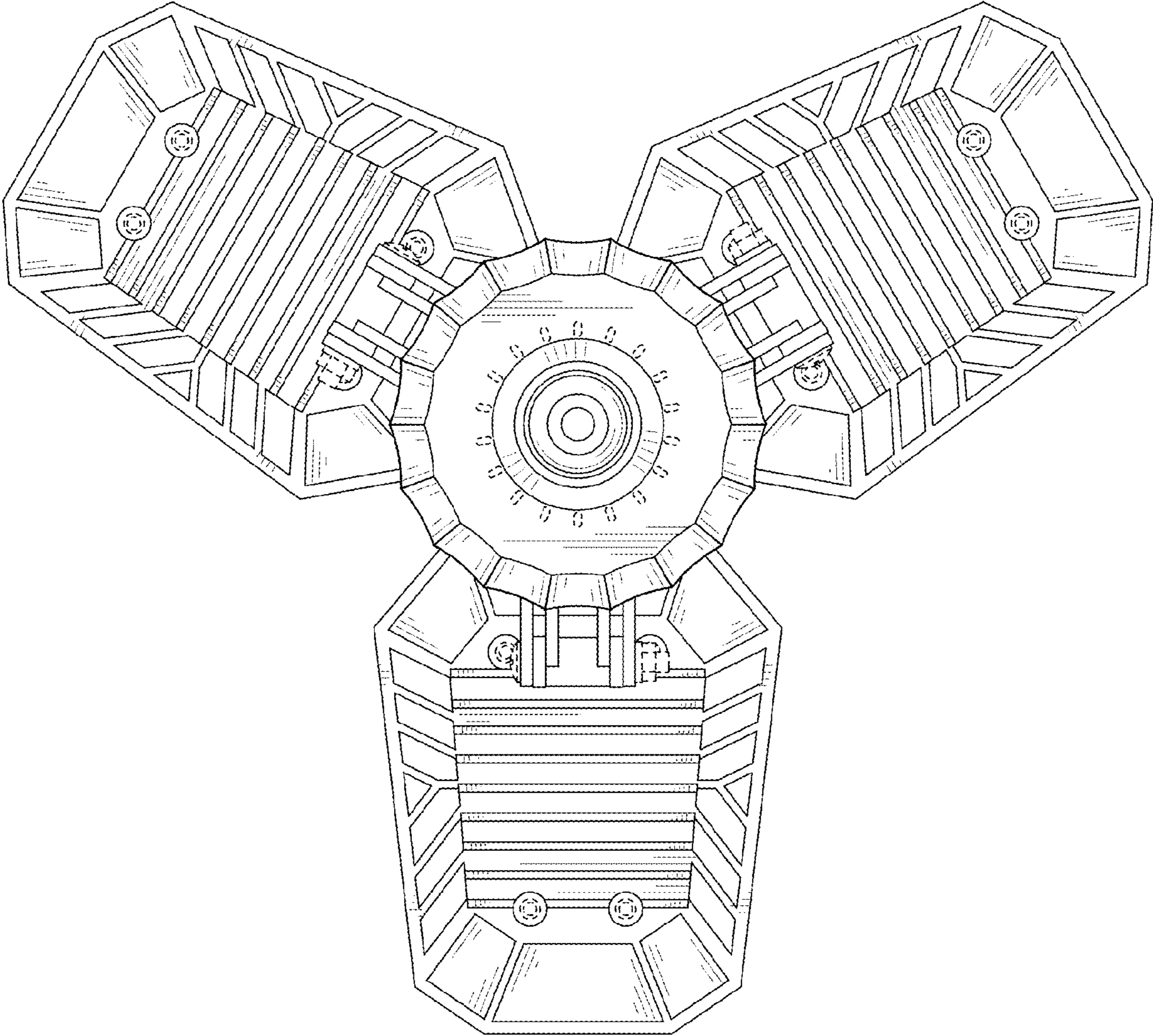


FIG. 4

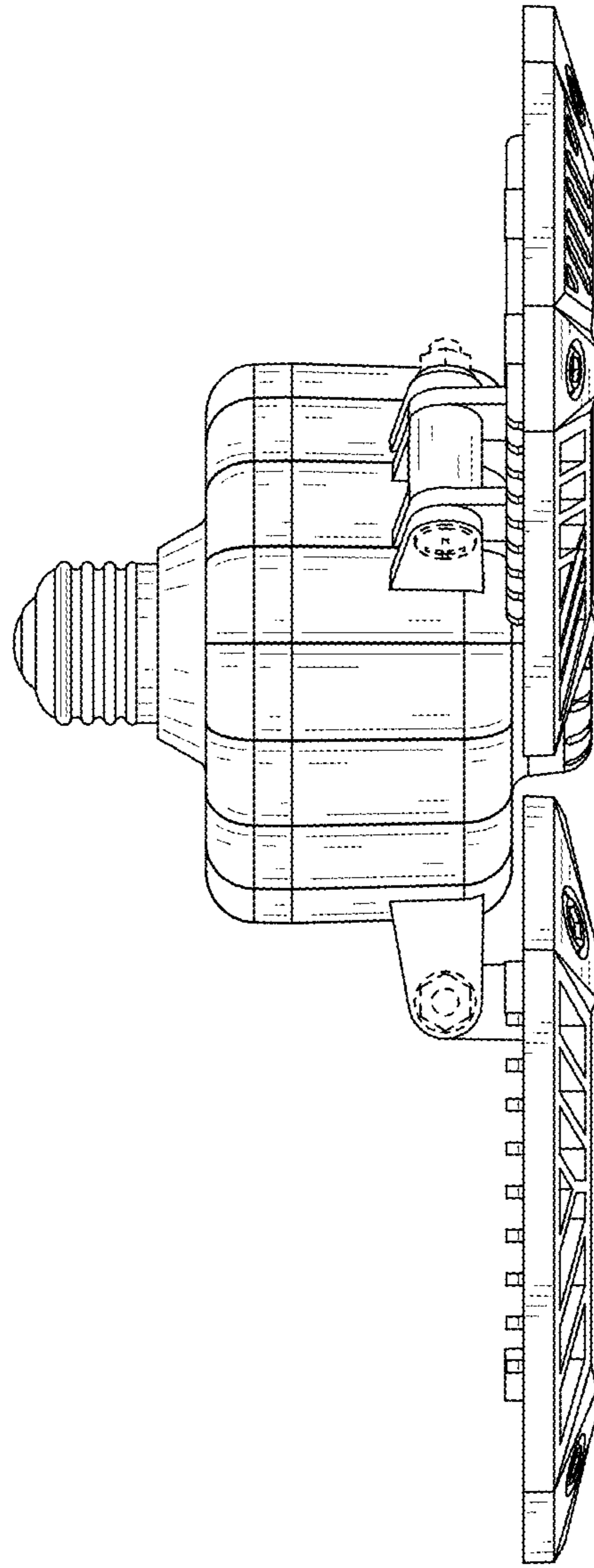


FIG. 5

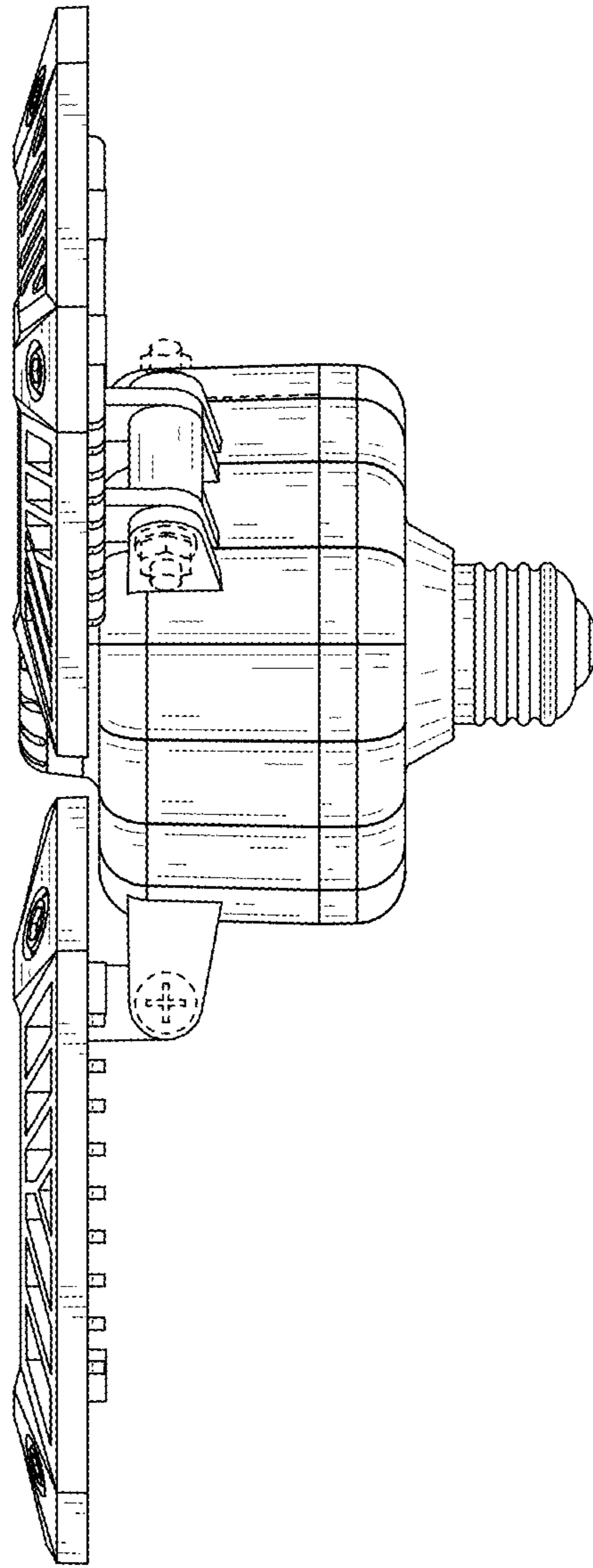


FIG. 6

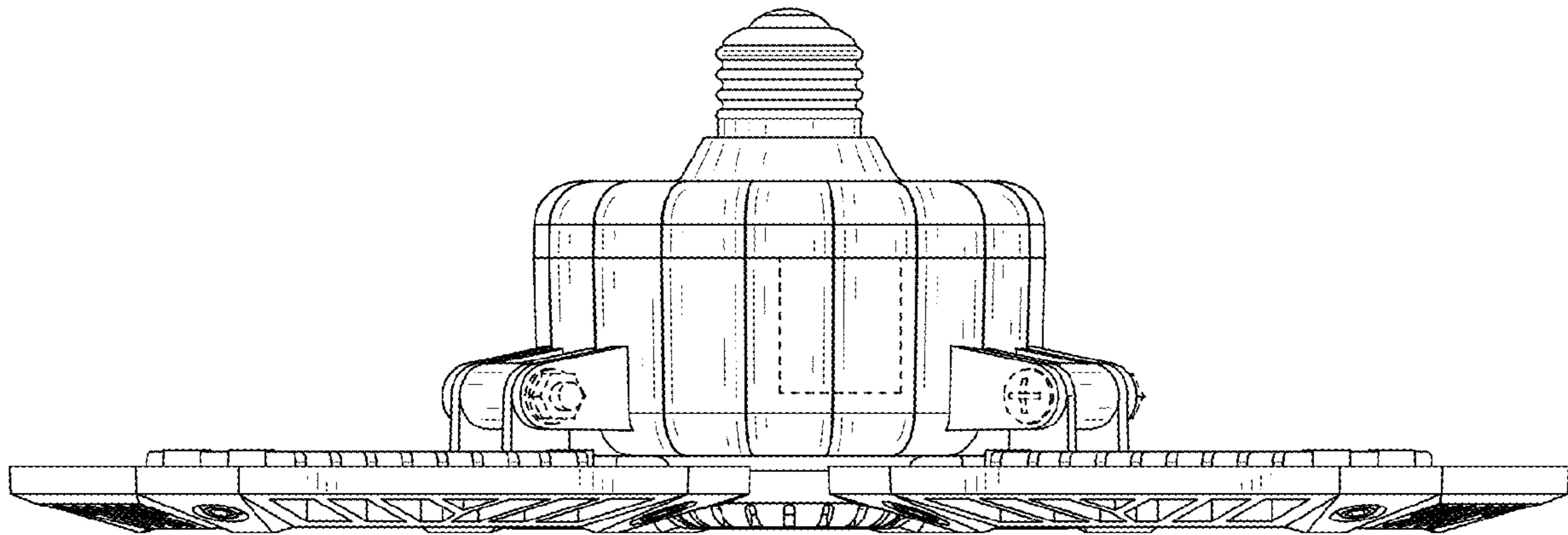


FIG. 7



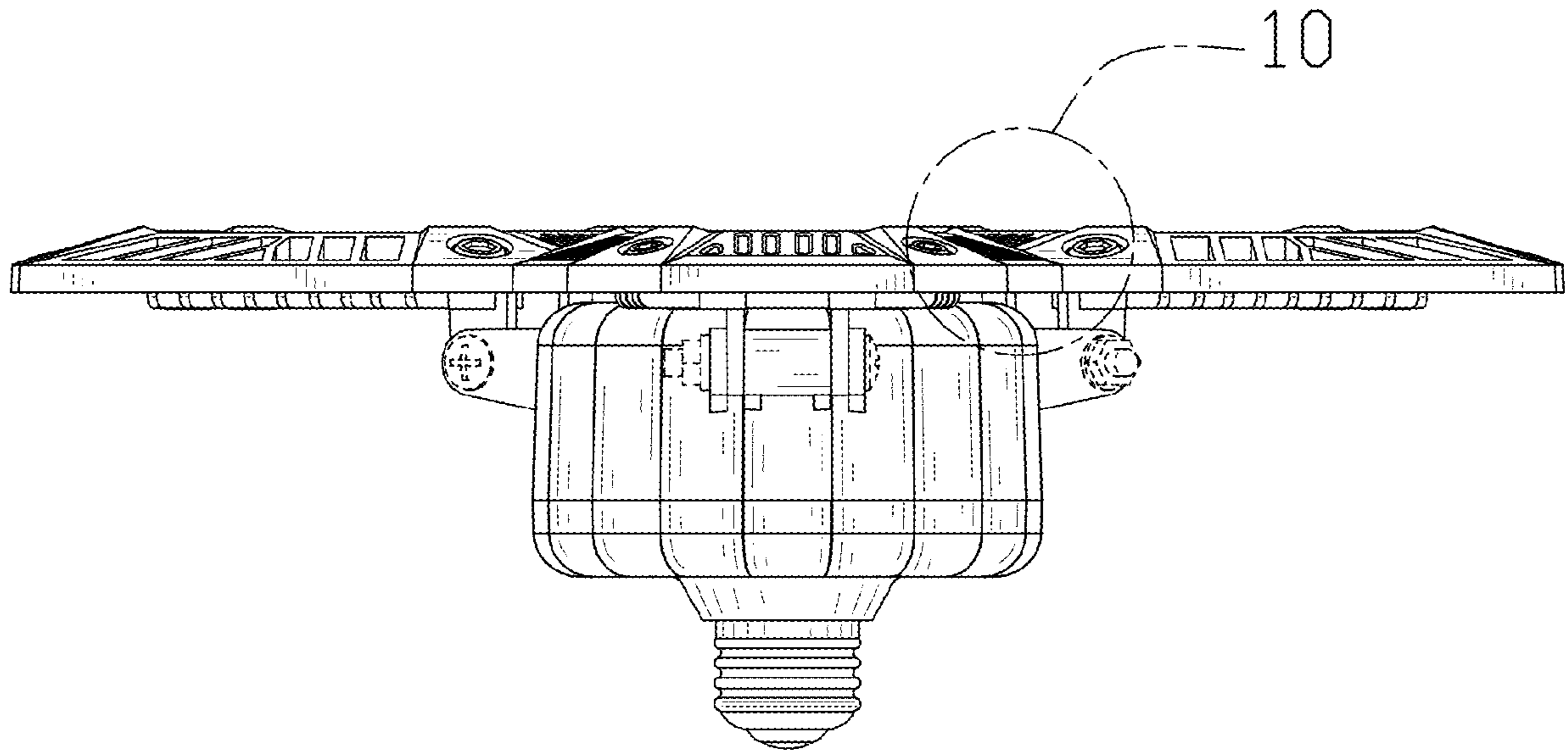


FIG. 8

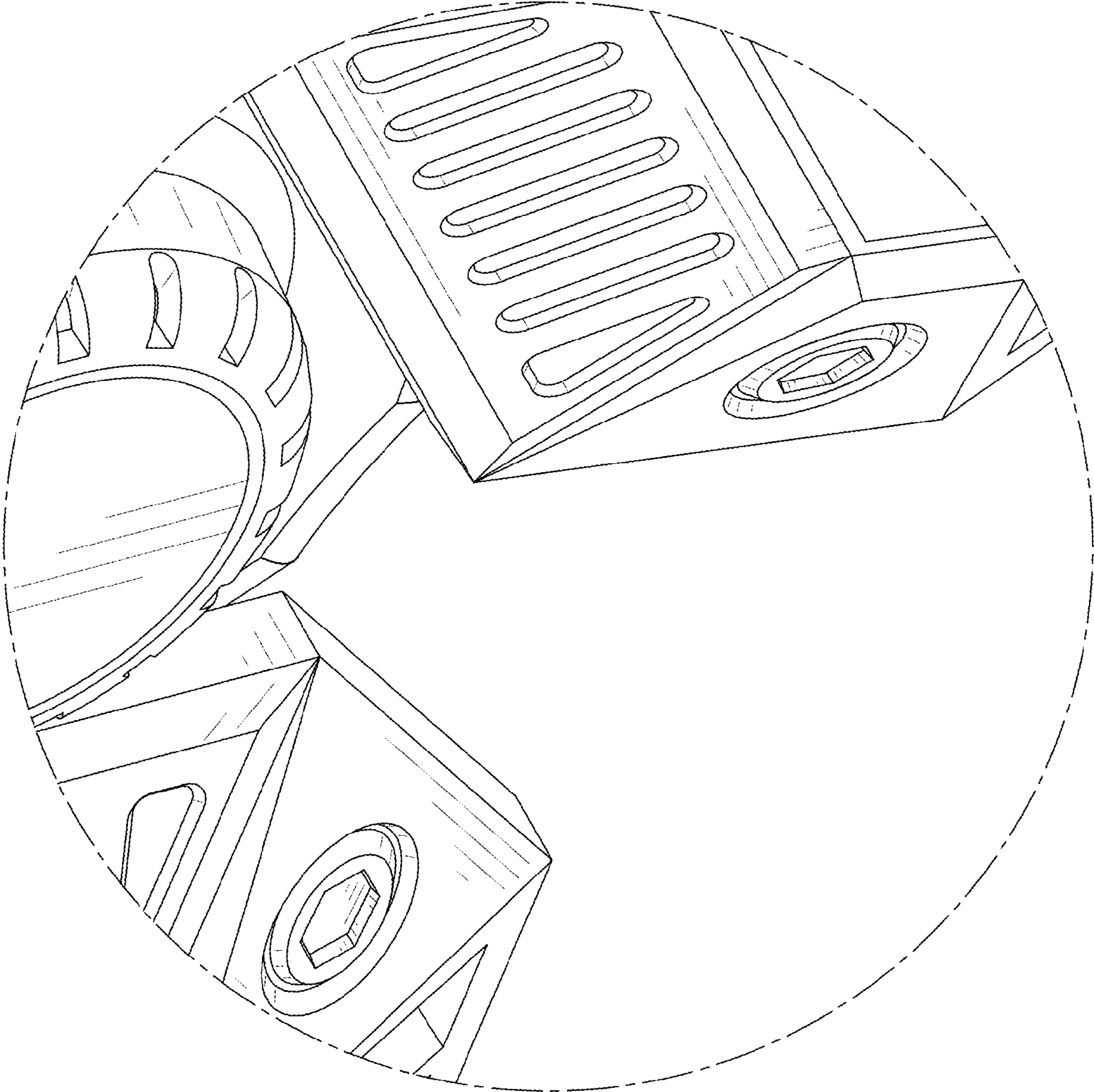


FIG. 9

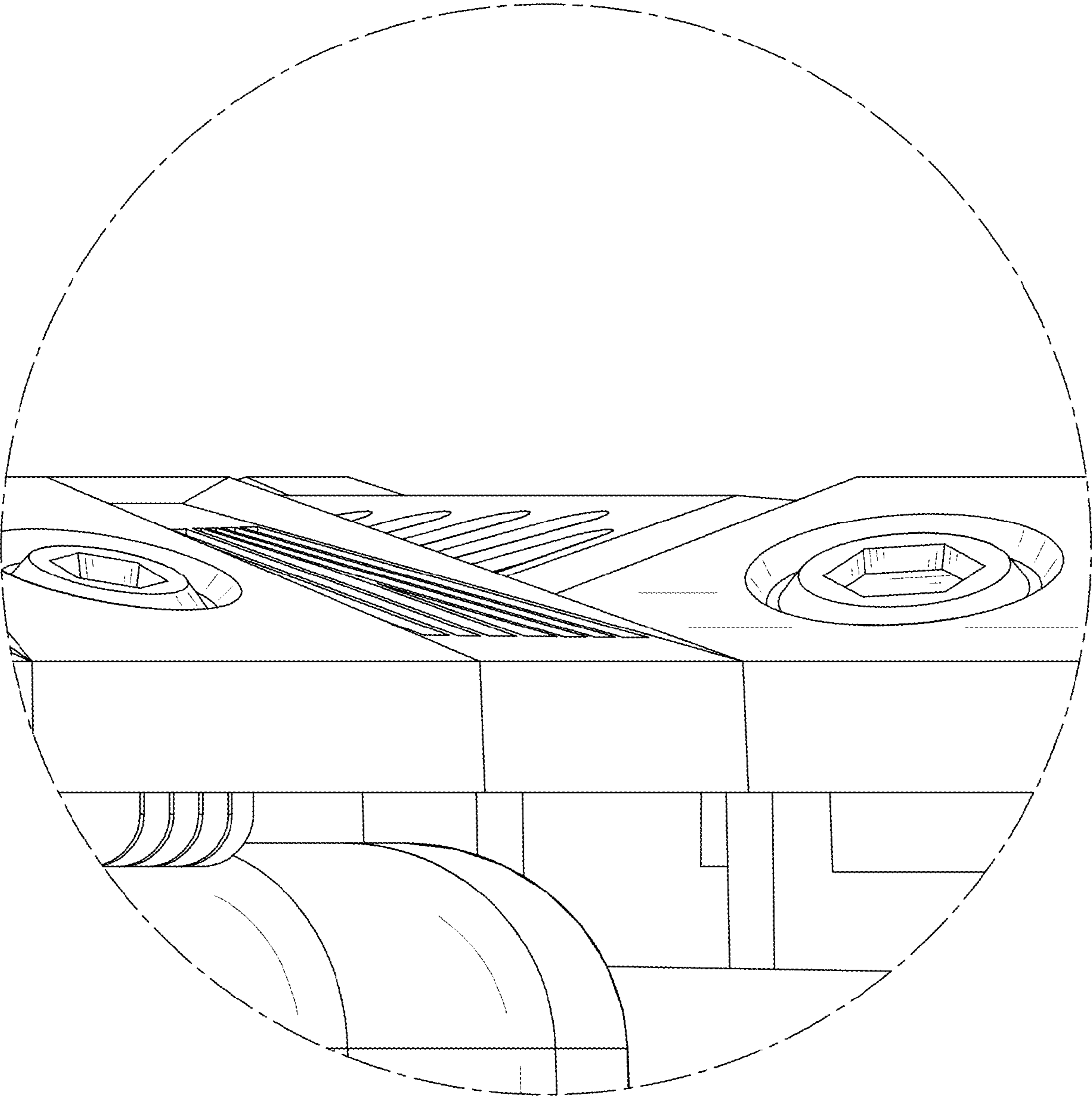


FIG. 10