



US00D938625S

(12) **United States Design Patent** (10) **Patent No.:** **US D938,625 S**
Luo (45) **Date of Patent:** **** Dec. 14, 2021**

(54) **LED LIGHT**
(71) Applicant: **Xiaobo Luo**, Guangdong (CN)
(72) Inventor: **Xiaobo Luo**, Guangdong (CN)
(**) Term: **15 Years**
(21) Appl. No.: **29/727,427**
(22) Filed: **Mar. 11, 2020**
(51) **LOC (13) Cl.** **26-04**
(52) **U.S. Cl.**
USPC **D26/2**
(58) **Field of Classification Search**
USPC D26/1-11
CPC H01R 13/514; H01R 5/00; H01R 13/46;
H01R 31/048; H01R 31/02; H01J 5/00;
H01J 5/16; H01J 1/02; H01J 15/00; H01J
5/48; H01J 5/50; H01J 19/54; F21V 5/00;
F21K 9/00; F21K 13/00
See application file for complete search history.

D761,973 S * 7/2016 Moon D26/2
D780,347 S * 2/2017 Shum D26/2
D781,468 S * 3/2017 Shum D26/2

* cited by examiner

Primary Examiner — Marcus A Jackson

(57) **CLAIM**

The ornamental design for a LED light, as shown and described.

DESCRIPTION

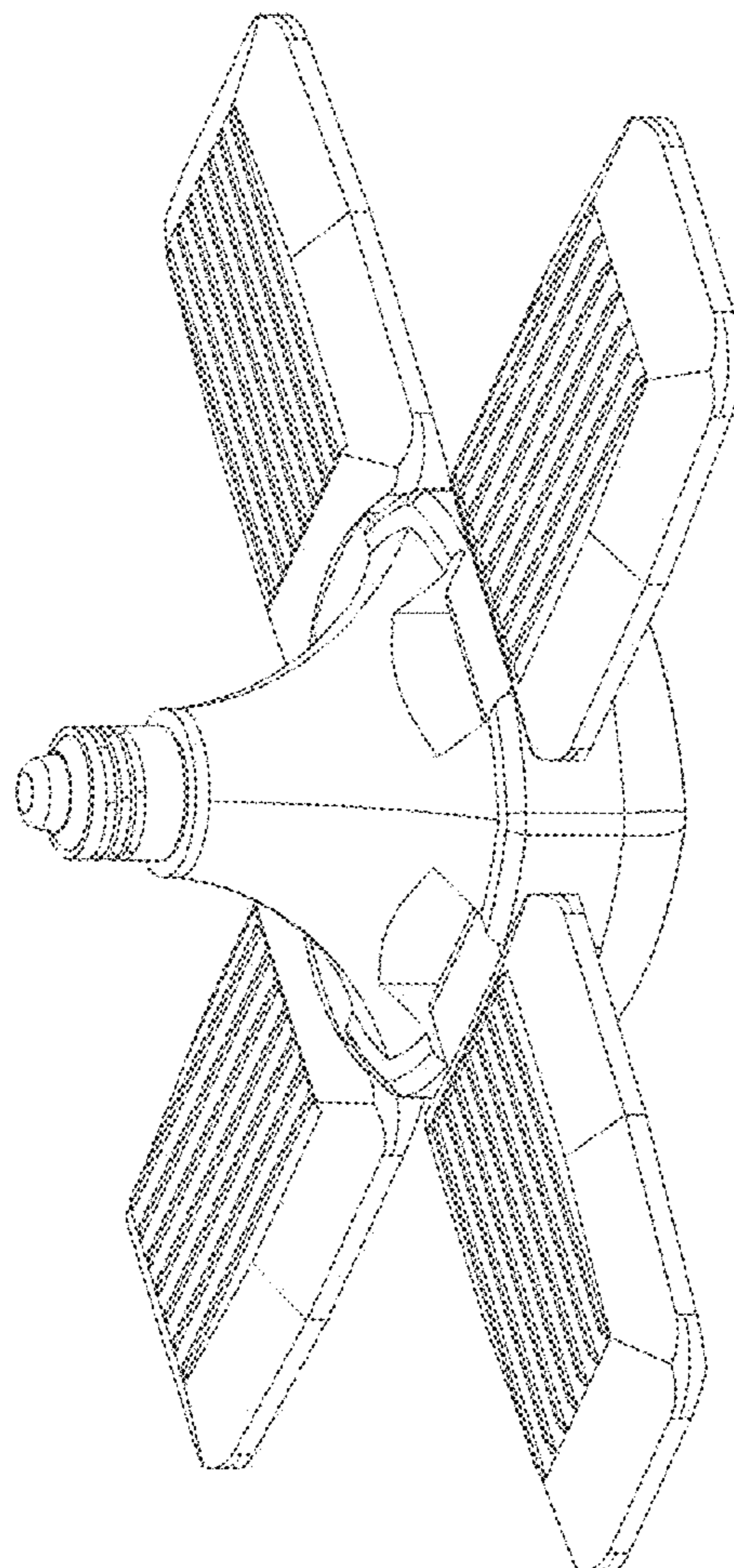
FIG. 1 is a perspective view of a LED light showing the claimed design;
FIG. 2 is a top plan view thereof;
FIG. 3 is a rear elevational view thereof;
FIG. 4 is a bottom plan view thereof;
FIG. 5 is a right side view thereof;
FIG. 6 is a front elevational view thereof; and,
FIG. 7 is a left side view thereof.

(56) **References Cited**

U.S. PATENT DOCUMENTS

D745,709 S * 12/2015 Iguma D26/2

1 Claim, 7 Drawing Sheets



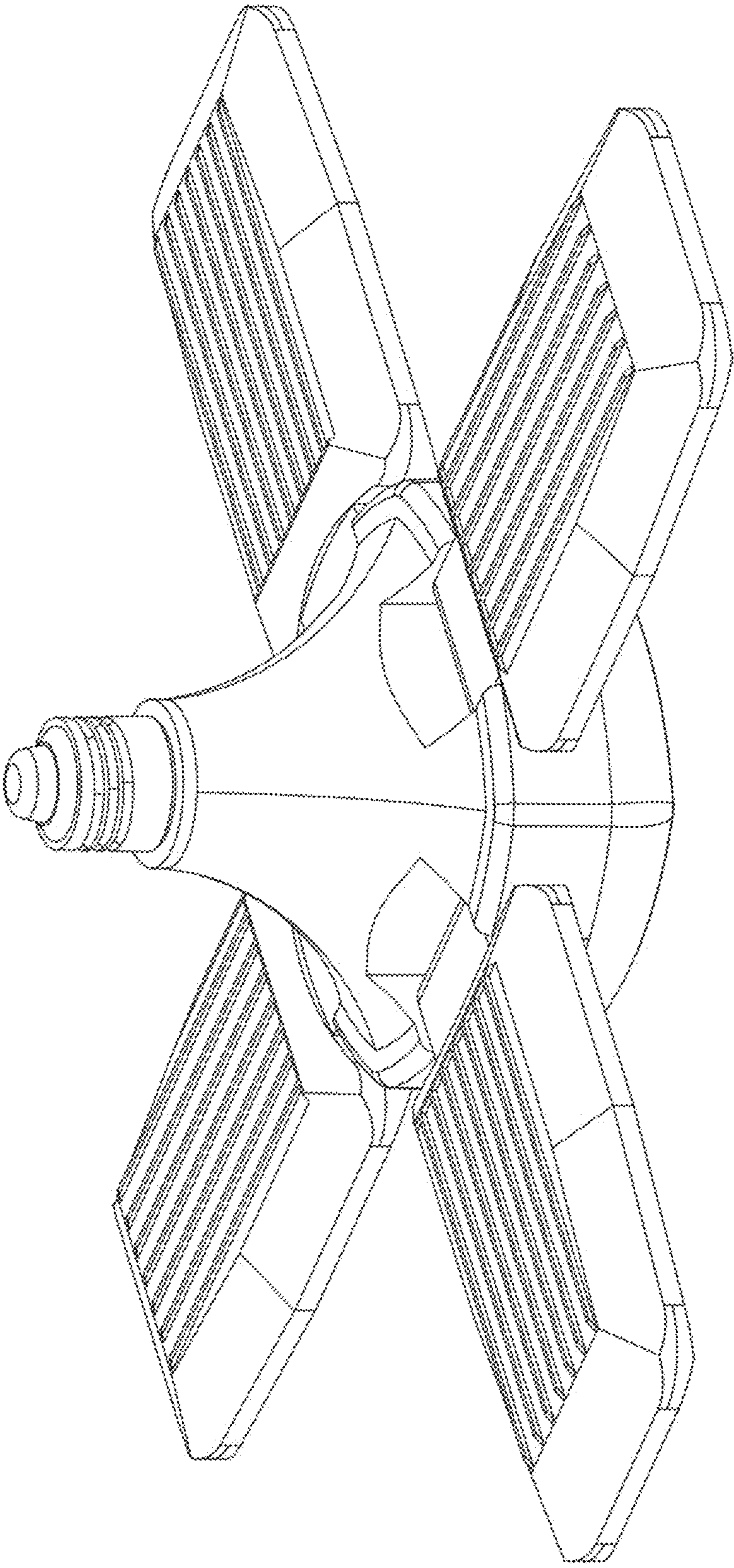


FIG. 1

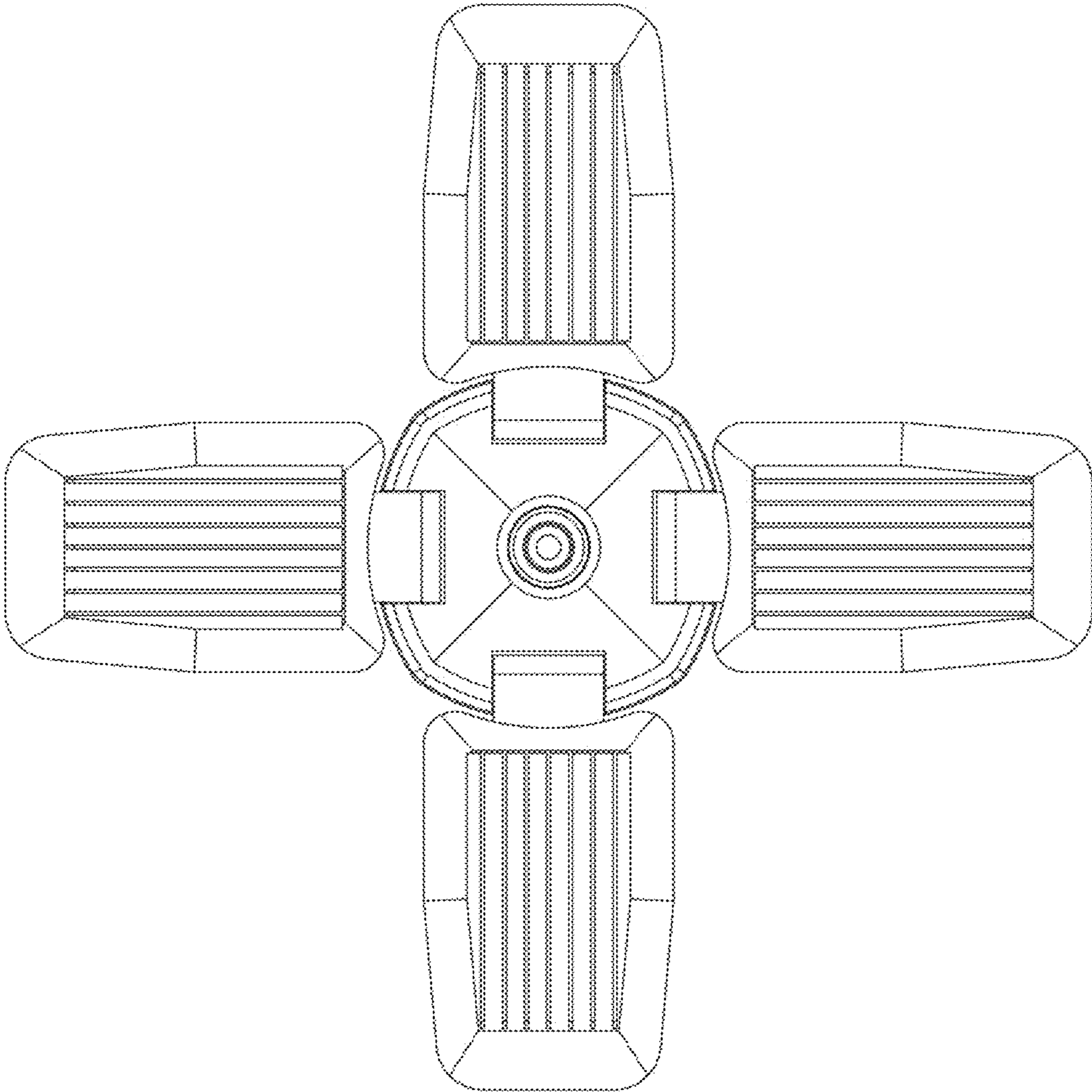


FIG. 2

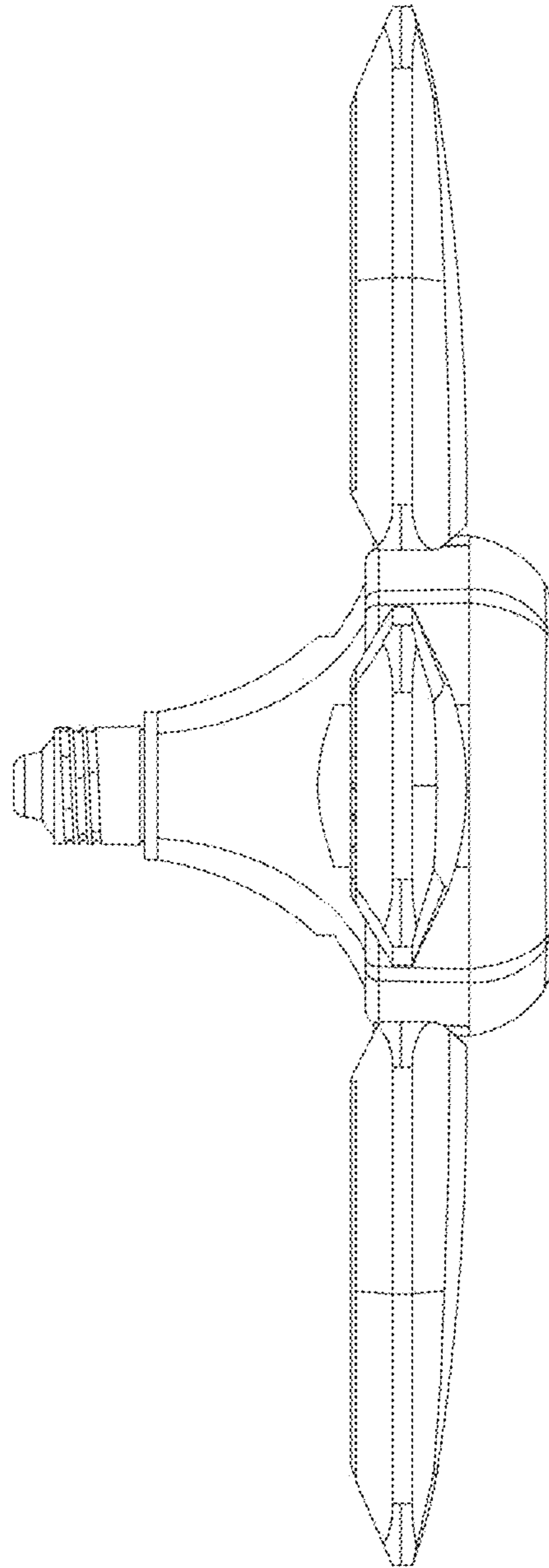


FIG. 3

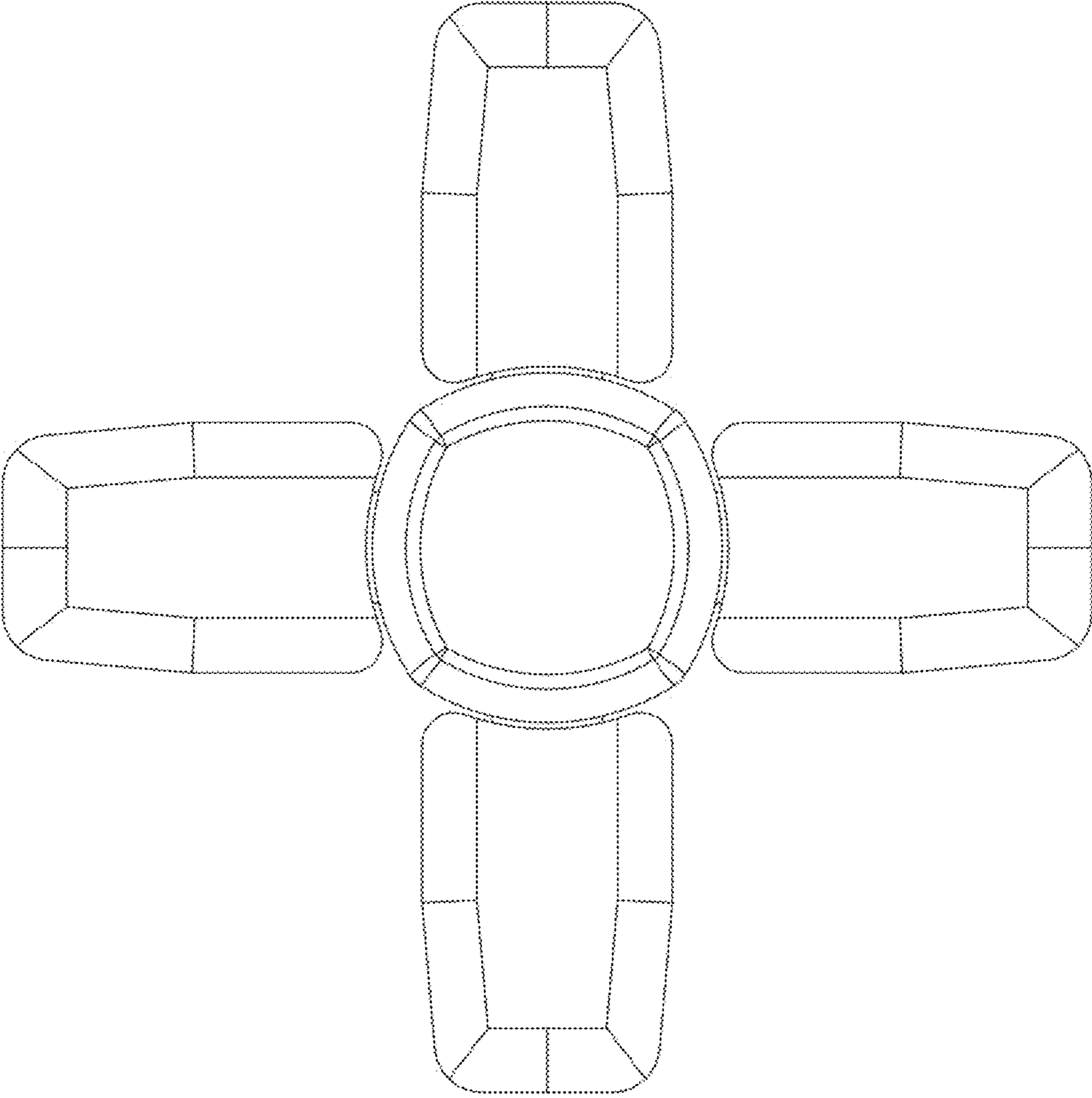


FIG. 4

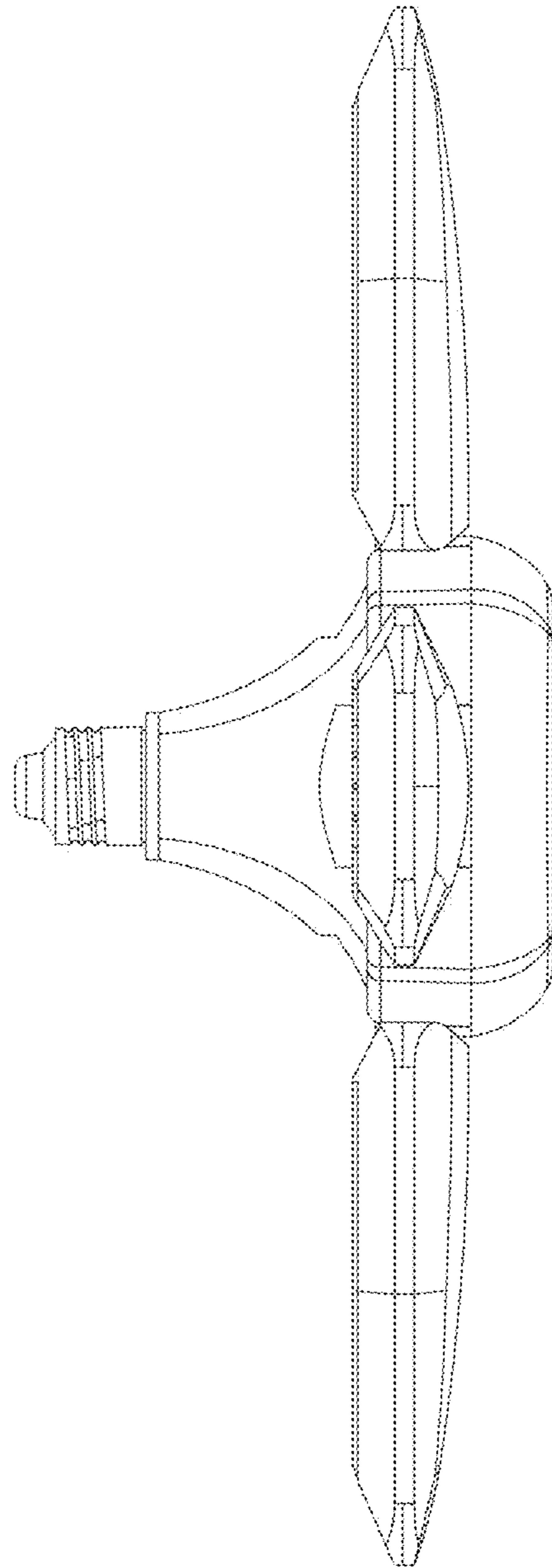


FIG. 5

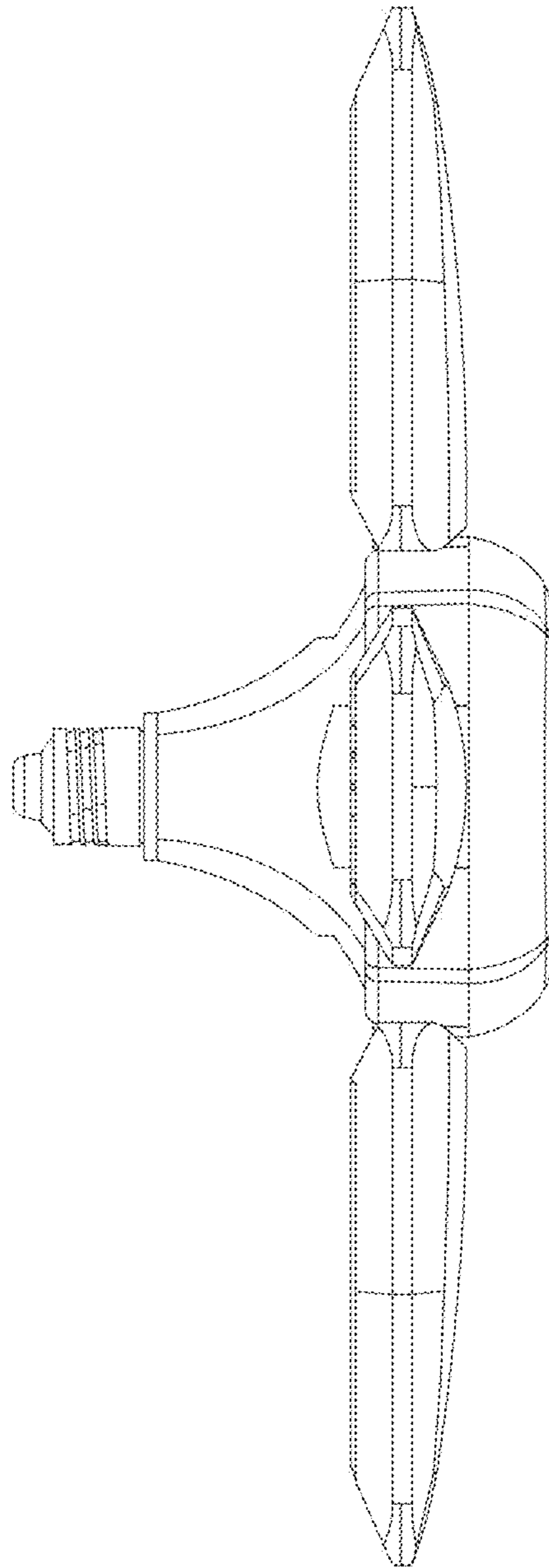


FIG. 6

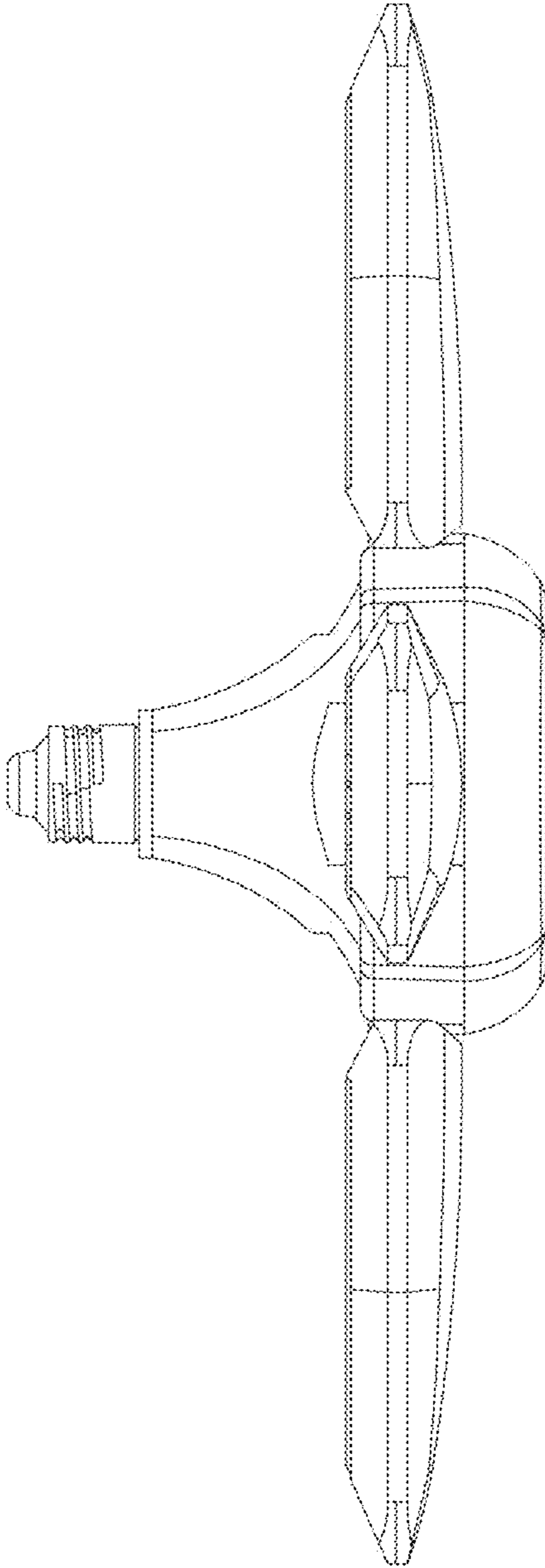


FIG. 7