



US00D938616S

(12) **United States Design Patent** (10) **Patent No.:** **US D938,616 S**  
**Schlatter** (45) **Date of Patent:** **\*\* Dec. 14, 2021**

(54) **CABLE SPACER**

(71) Applicant: **Daniel J. Schlatter**, Warsaw, IN (US)

(72) Inventor: **Daniel J. Schlatter**, Warsaw, IN (US)

(73) Assignee: **Daniel J. Schlatter**, Warsaw, IN (US)

(\*\*) Term: **15 Years**

(21) Appl. No.: **29/633,012**

(22) Filed: **Jan. 11, 2018**

(51) **LOC (13) Cl.** ..... **25-01**

(52) **U.S. Cl.**  
USPC ..... **D25/126**

(58) **Field of Classification Search**  
USPC ..... D25/125, 126, 127, 128, 129, 130, 131,  
D25/132, 133, 134, 135, 136  
(Continued)

(56) **References Cited**

**U.S. PATENT DOCUMENTS**

349,985 A 9/1886 De Witt  
606,873 A 7/1898 Matthews  
(Continued)

**FOREIGN PATENT DOCUMENTS**

FR 3000531 7/2014

**OTHER PUBLICATIONS**

Design of Machine Elements. Babu, et al. New Delhi, India: Tata McGraw Hill Education Private Limited, 2009. p. 131. ISBN: 9780070672840.

(Continued)

*Primary Examiner* — Samantha Q Lawrence

(74) *Attorney, Agent, or Firm* — Faegre Drinker Biddle & Reath LLP

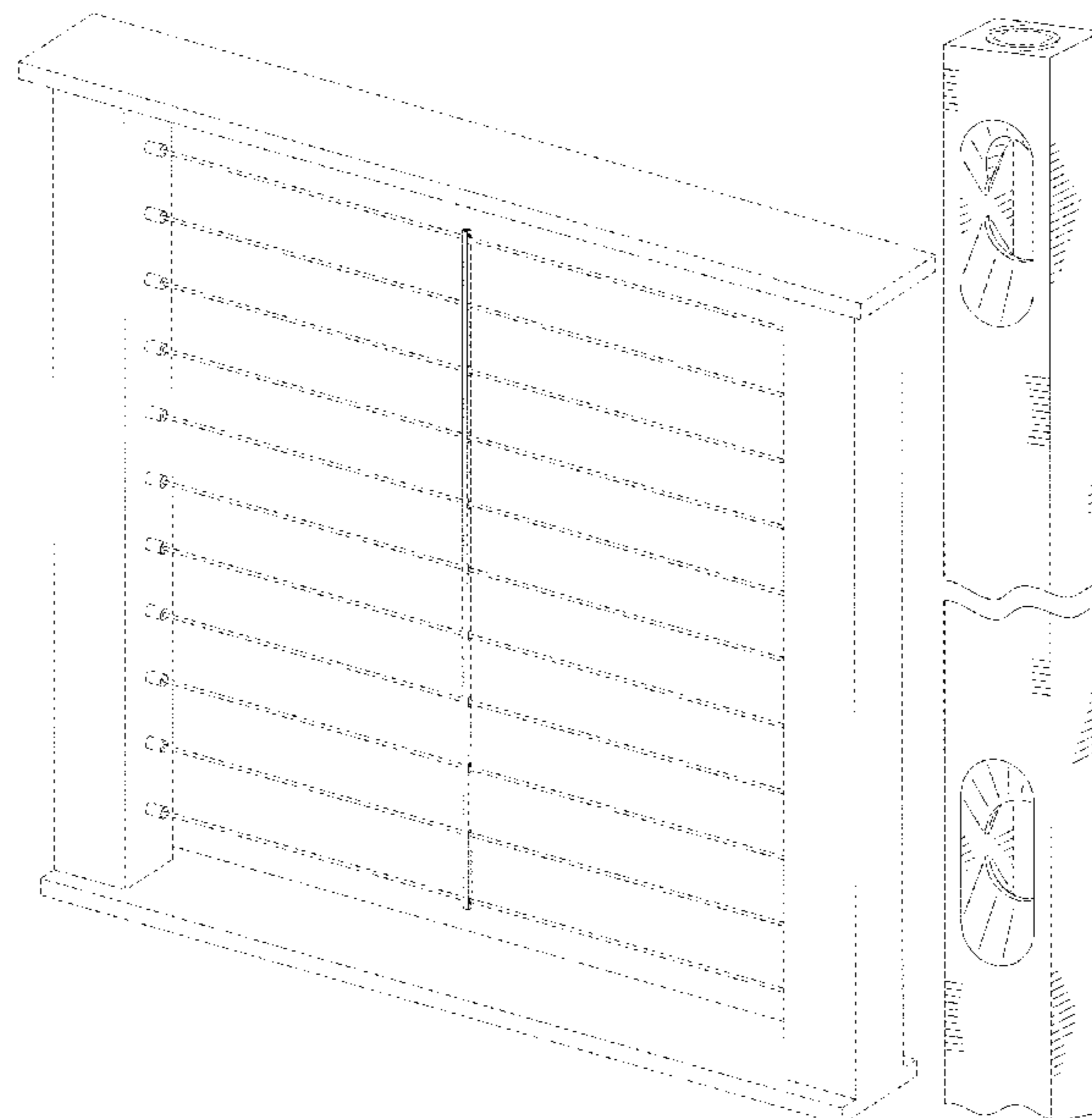
(57) **CLAIM**

The ornamental design for a cable spacer, as shown and described.

**DESCRIPTION**

FIG. 1 is a perspective view of a first embodiment of a cable spacer illustrating my new design;  
FIG. 2 is a left side elevation view thereof, the right side being a mirror image thereof;  
FIG. 3 is a front elevation view thereof, the rear elevation view being a mirror image thereof;  
FIG. 4 is an enlarged, top plan view thereof, the bottom plan view being a mirror image thereof;  
FIG. 5 is another perspective view of a portion thereof;  
FIG. 6 is another perspective view of the portion thereof;  
FIG. 7 is an enlarged perspective view of the portion thereof;  
FIG. 8 is another enlarged perspective view of the portion thereof; and  
FIG. 9 is another enlarged perspective view of the portion thereof.  
FIG. 10 is a perspective view of a second embodiment of a cable spacer illustrating my new design;  
FIG. 11 is a left side elevation view thereof, the right side elevation view being a mirror image thereof;  
FIG. 12 is a front elevation view thereof, the rear elevation view being a mirror image thereof; and  
FIG. 13 is an enlarged, top plan view thereof, the bottom plan view being a mirror image thereof.  
The broken lines appearing in FIGS. 2, 3, 7, 8, 10 and 13 illustrate portions of the article that form no part of the claimed design. The broken lines appearing in FIGS. 1, 8 and 9 are shown for the purpose of illustrating the environment in which the article embodying the design is used. The cable spacer is shown with a symbolic break in its length in FIGS. 10-12. The appearance of any portion of the article between the break lines forms no part of the claimed design.

**1 Claim, 5 Drawing Sheets**



(58) **Field of Classification Search**

CPC ..... E04H 17/20; E04H 17/04; E04H 17/10;  
E04H 17/12; E04H 17/161; E04H 17/24;  
E04H 17/266; E04H 2017/006; B21J  
5/066; B23K 31/02; E04F 11/1812; E04F  
11/1814; E04F 11/1859; E04F 2011/1819;  
E04F 2011/1821

See application file for complete search history.

(56) **References Cited**

U.S. PATENT DOCUMENTS

607,410	A	7/1898	Fence	
680,438	A	8/1901	Pierce	
1,985,878	A	1/1935	Aubol	
3,661,360	A	5/1972	Windham	
3,990,665	A	11/1976	Joussemet	
4,066,368	A	1/1978	Mastalski et al.	
D331,977	S *	12/1992	McGlothlen	D25/126
D354,792	S *	1/1995	Gill	D25/126
6,053,480	A	4/2000	De Guise	
6,135,424	A	10/2000	Bracke	
6,568,658	B2	5/2003	Strome	
6,679,480	B1	1/2004	Hara et al.	
7,043,801	B2	5/2006	Toimil	
7,198,253	B2	4/2007	Striebel et al.	
D573,453	S *	7/2008	Buckley	D8/382
D583,486	S *	12/2008	Kelley	D25/122
9,249,577	B2	2/2016	Ross	
9,644,392	B2	5/2017	Landry	
D789,185	S *	6/2017	Wall	D8/364
9,689,410	B2	6/2017	Ostervig	
D806,904	S *	1/2018	DeBellis	D25/126
9,932,754	B2	4/2018	Schlatter	

D817,918	S *	5/2018	Sabatino	D14/188
9,976,320	B2	5/2018	Burt et al.	
D831,232	S *	10/2018	Dionne	D25/126
D880,724	S *	4/2020	Schiffer	D25/38.1
D893,762	S *	8/2020	Lake	D25/124
2004/0211149	A1 *	10/2004	Rioux	H01Q 1/1207 52/848
2005/0207838	A1	9/2005	Striebel et al.	
2006/0196053	A1	9/2006	Pratt	
2010/0012910	A1	1/2010	Napier	
2011/0140063	A1	6/2011	Sandor, Sr.	
2012/0168703	A1	7/2012	Napier	
2014/0008597	A1	1/2014	Herman	
2014/0138596	A1	5/2014	Ross	
2014/0299829	A1	10/2014	Herman	
2015/0021533	A1	1/2015	Johnson	
2017/0214115	A1 *	7/2017	Norrell	H01Q 1/44

OTHER PUBLICATIONS

Feeney, CableRail Composite Solutions, Webpage, Nov. 10, 2012, <http://www.feeneyinc.com/CableRail>.

Atlantis Rail System, Cable Railing, Webpage, May 16, 2009, <http://www.atlantisrail.com/cable-railing>.

Feeney, Step-by-Step Solutions, PDF, 2017.

Atlantis Rail Systems, Design Parameters Rail Easy Cable Railing, PDF.

Atlantis Rail Systems, Rail Easy Nautilus Installation Instructions, PDF, 2015, 1-7.

Feeney, Quick-Connect fittings make cable projects quicker and easier than ever, Webpage, Nov. 10, 2012, [http://www.feeneyinc.com/Architectural/CableRail-Standard-Assemblies#prod\\_info](http://www.feeneyinc.com/Architectural/CableRail-Standard-Assemblies#prod_info).

\* cited by examiner

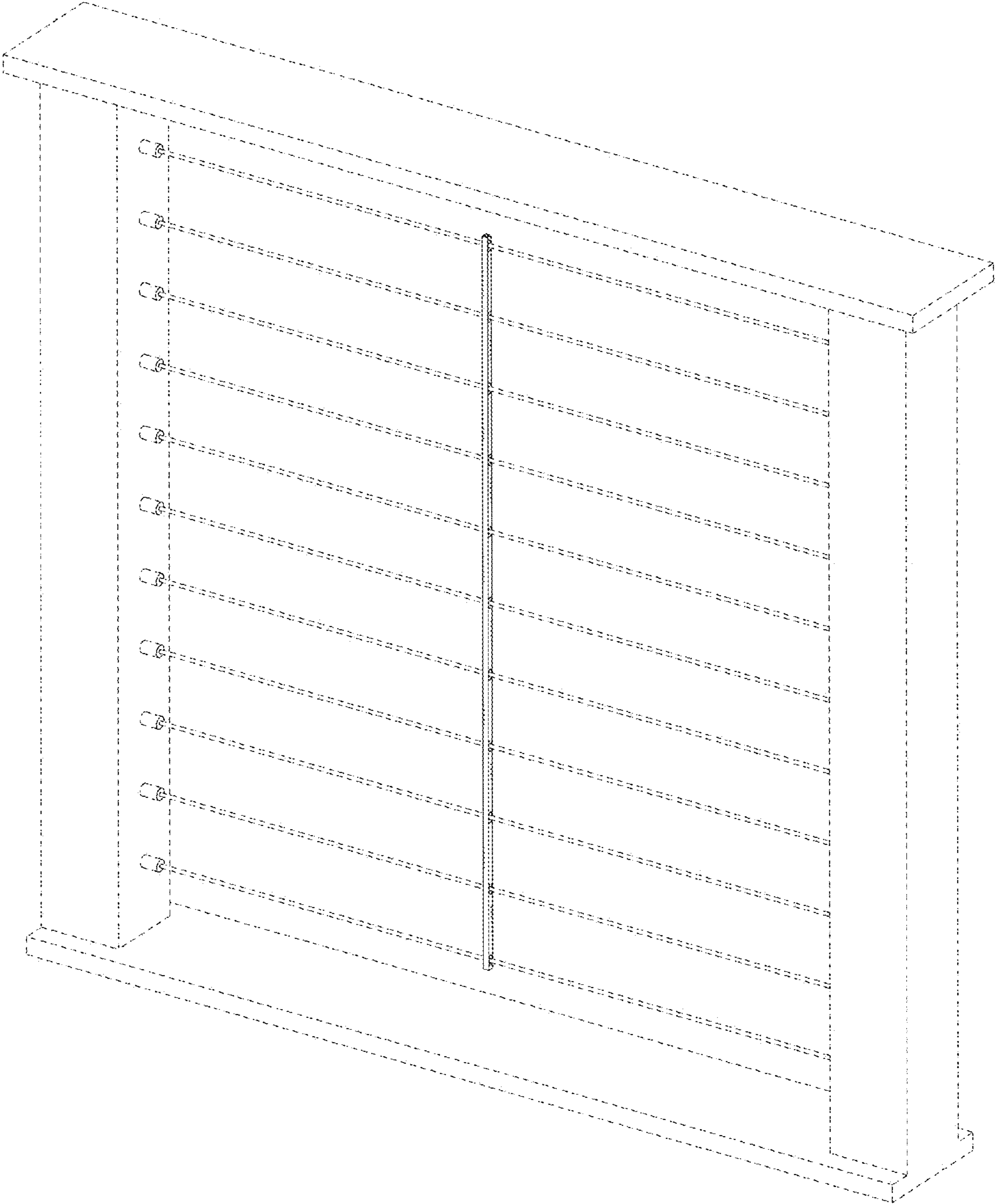


Fig. 1



Fig. 2

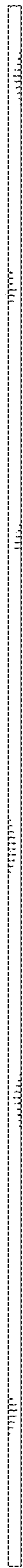


Fig. 3



Fig. 4



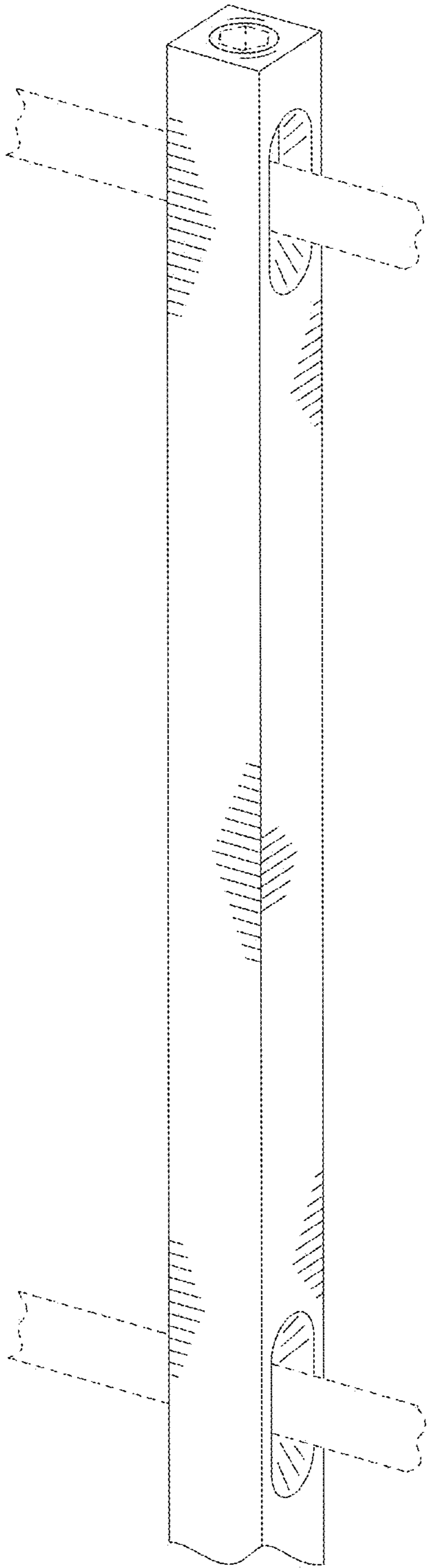


Fig. 5

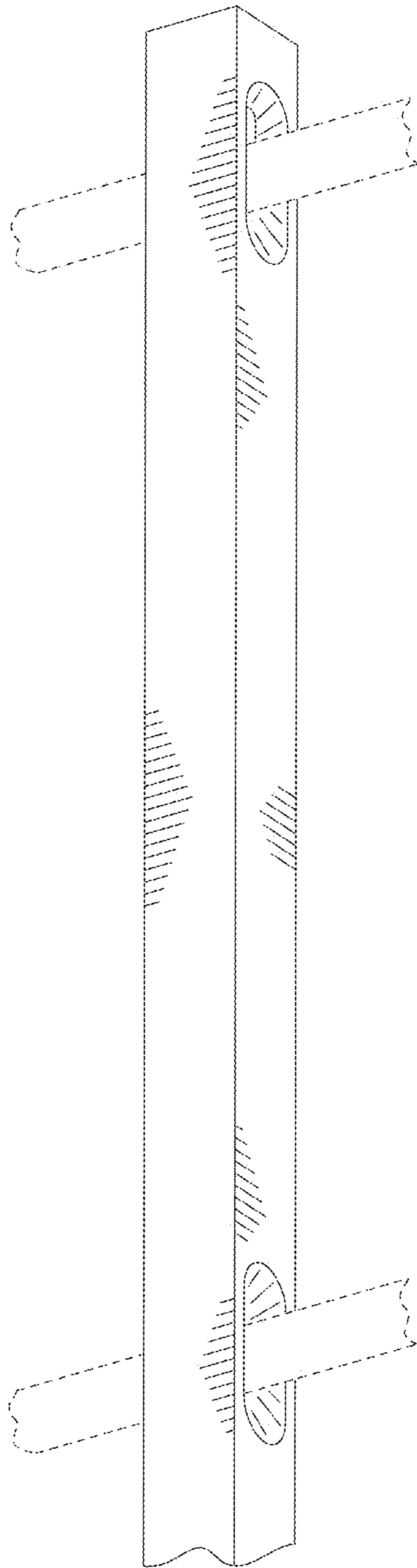


Fig. 6

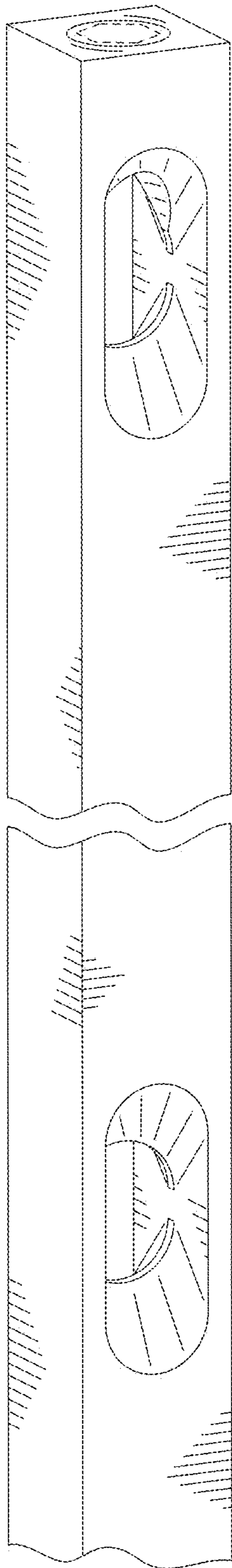


Fig. 7

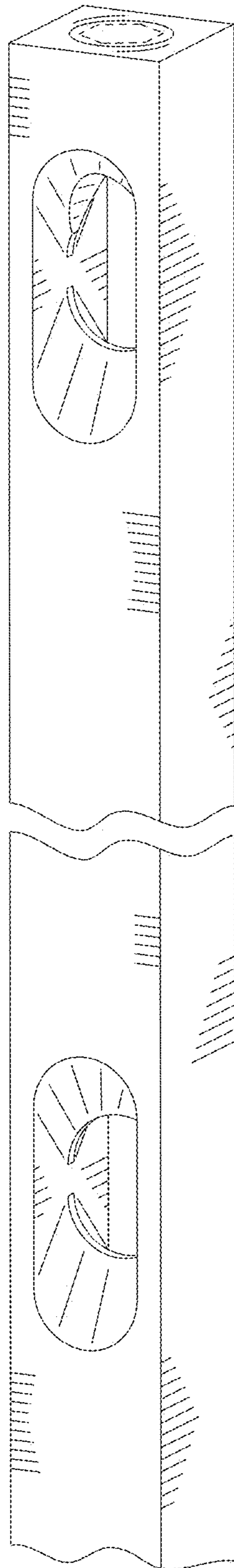


Fig. 8

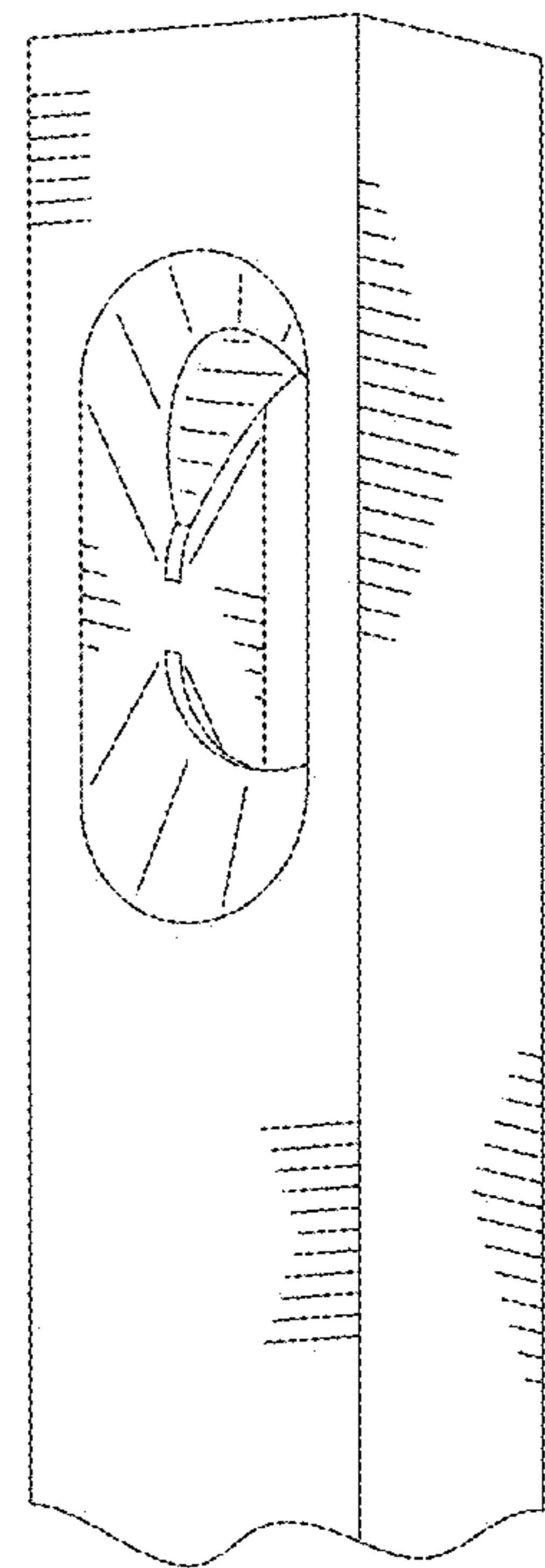


Fig. 9

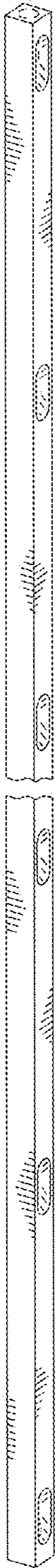


Fig. 10

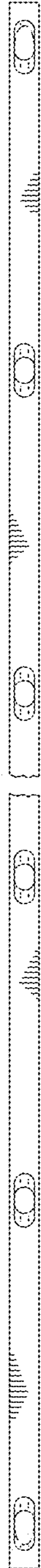


Fig. 11

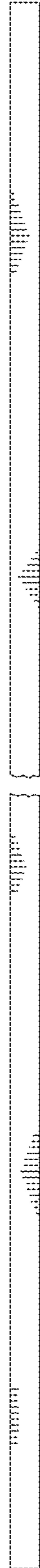


Fig. 12

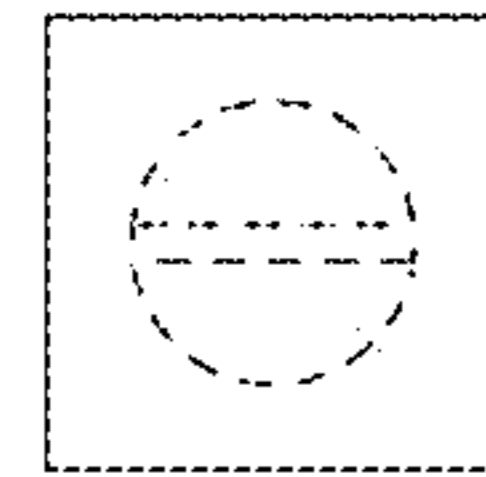


Fig. 13