



US00D938615S

(12) **United States Design Patent** (10) **Patent No.:** **US D938,615 S**
Hernandez et al. (45) **Date of Patent:** **** *Dec. 14, 2021**

(54) **WEATHER SILL**
(71) Applicant: **Exclusive Wood Doors, Inc.**, Doral, FL (US)
(72) Inventors: **Carlos Hernandez**, Miami, FL (US);
Enrique Soto, Miami, FL (US);
Jonathan Nisenbaum, Miami, FL (US)
(73) Assignee: **Exclusive Wood Doors, Inc.**, Doral, FL (US)
(*) Notice: This patent is subject to a terminal disclaimer.
(**) Term: **15 Years**
(21) Appl. No.: **29/693,877**
(22) Filed: **Jun. 5, 2019**
(51) **LOC (13) Cl.** **25-02**
(52) **U.S. Cl.**
USPC **D25/48.2**
(58) **Field of Classification Search**
USPC D25/48.2, 119-125, 164, 199
CPC E06B 1/00; E06B 1/70; E06B 9/00; E06B 7/18; E06B 7/22; E06B 7/26; E06B 7/231; E06B 7/2305; E06B 7/2309; E06B 7/2312; E06B 7/2314; E06B 7/2316; E06B 3/28; E04B 9/00; A62C 3/14; B60J 10/16; B60J 10/235; B60J 10/86
See application file for complete search history.

D738,532 S * 9/2015 Kuan D25/48.2
D788,321 S * 5/2017 Boer D25/48.2
D872,895 S * 1/2020 Hay, III D25/124
D884,213 S * 5/2020 Hay, III D25/48.2

FOREIGN PATENT DOCUMENTS

CN 302903622 * 8/2014

OTHER PUBLICATIONS

Pivot Entrance Door Brochure 2019 WEB <https://ewdoors.com/wp-content/uploads/2020/06/Pivot-Entrance-Door-Brochure-2019.pdf> Jun. 5, 2020 (Year: 2020).*
Pivot Front Door Doral FL Exclusive Wood Doors <https://ewdoors.com/pivot-doors/> Jul. 2020 (Year: 2020).*

* cited by examiner

Primary Examiner — Leanne Was-Englehart

(57) **CLAIM**

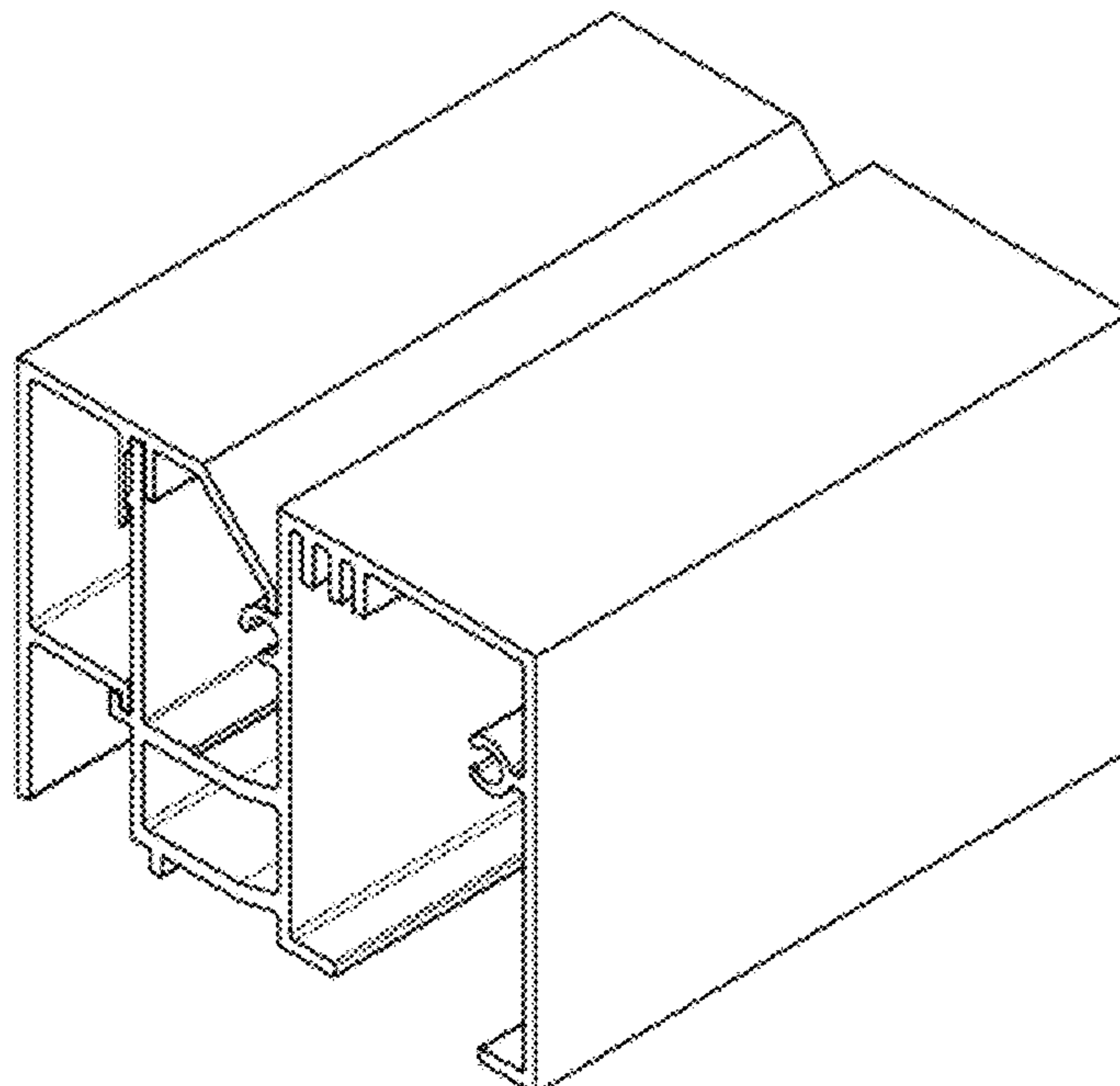
The ornamental design for a weather sill, as shown and described.

DESCRIPTION

FIGS. 1 and 2 are perspective views illustrating our design for a weather sill;
FIGS. 3 and 4 are front views thereof; the rear being a mirror image thereof;
FIGS. 5 and 6 are top plan views thereof;
FIGS. 7 and 8 are bottom views thereof;
FIGS. 9 and 10 are left side views thereof; and,
FIGS. 11 and 12 are right side views thereof.

1 Claim, 6 Drawing Sheets

(56) **References Cited**
U.S. PATENT DOCUMENTS
D299,970 S * 2/1989 Hardy D25/124
D345,809 S * 4/1994 Bancroft D25/124



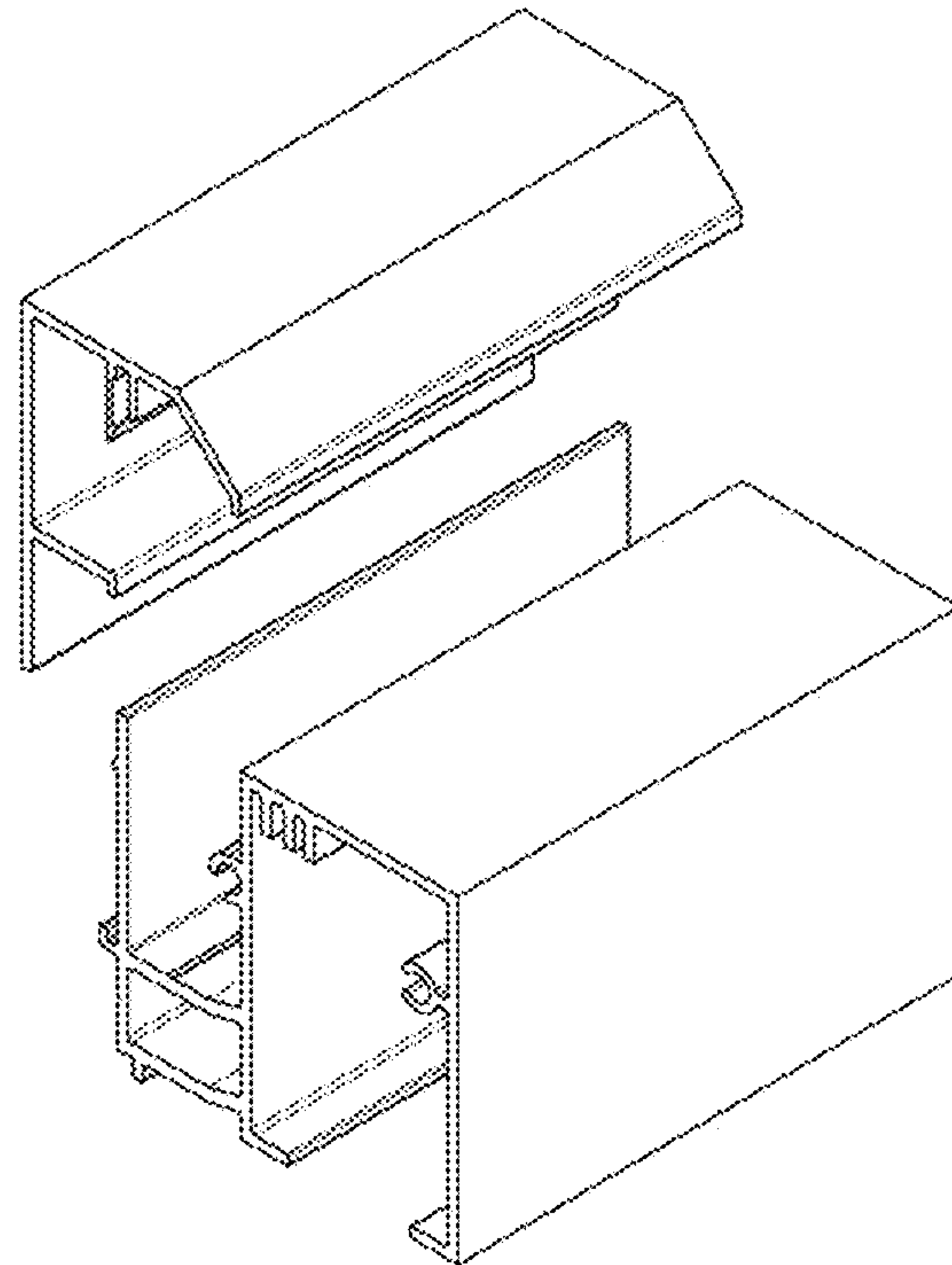


FIG. 1

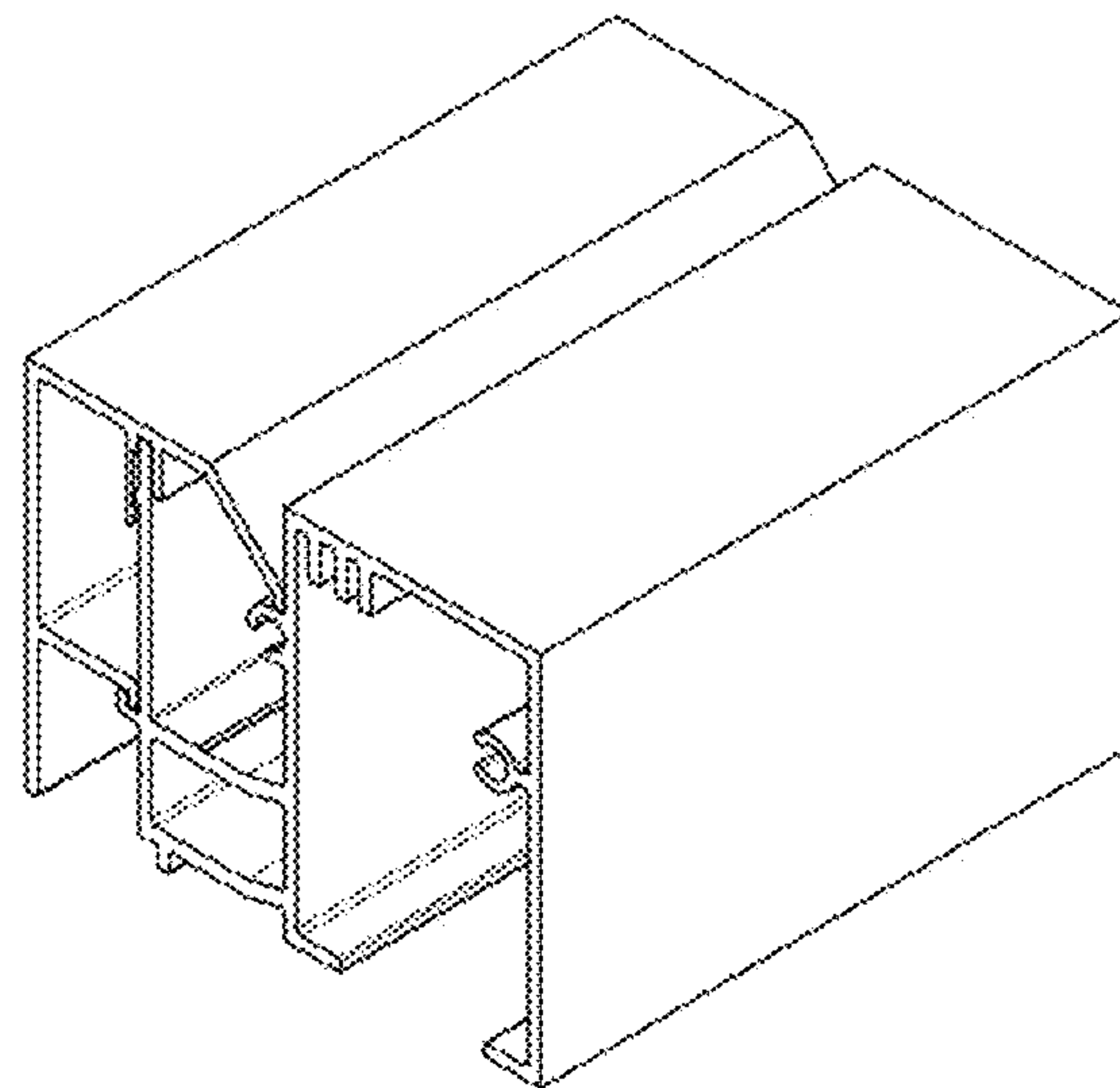


FIG. 2

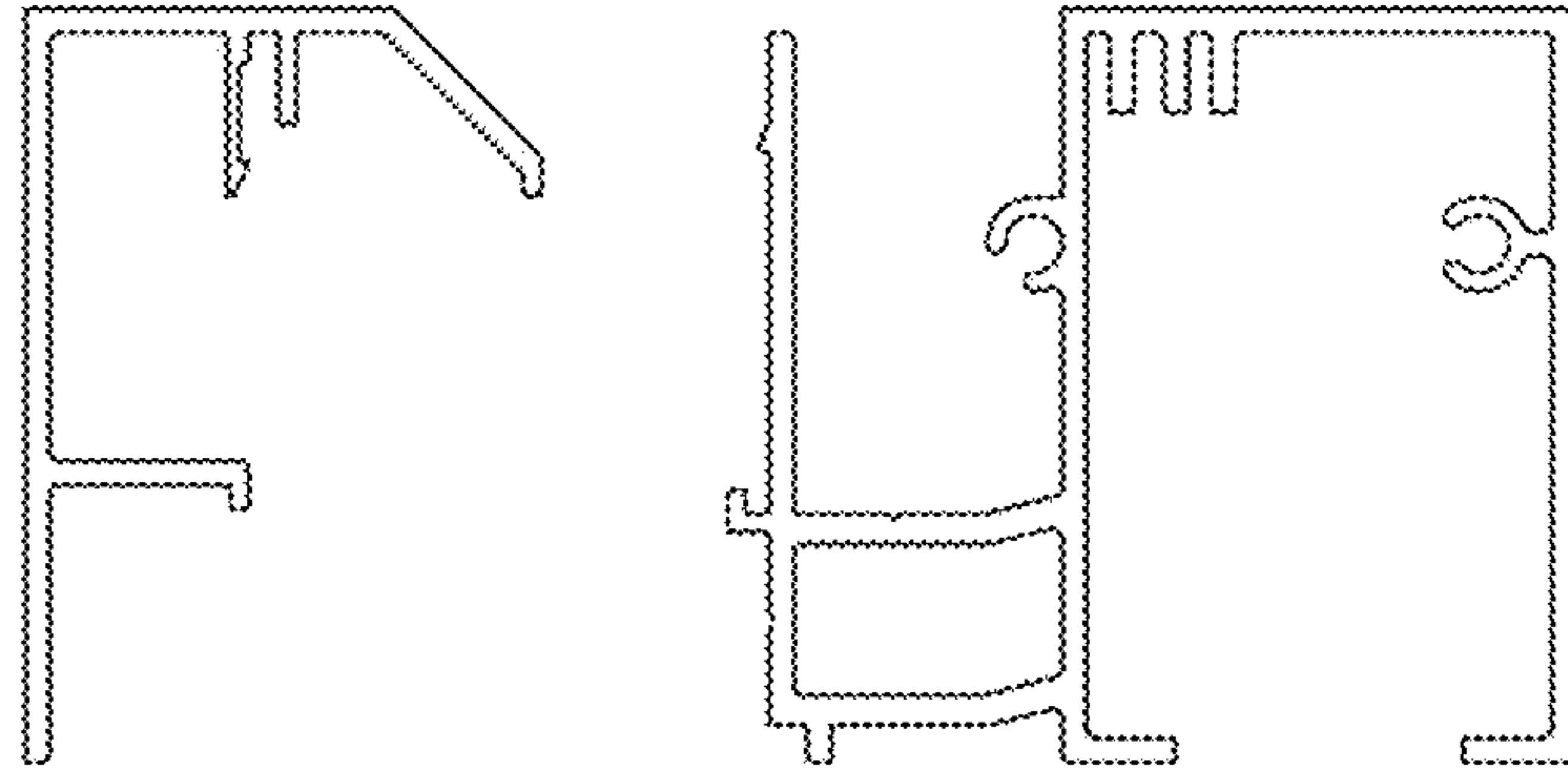


FIG. 3

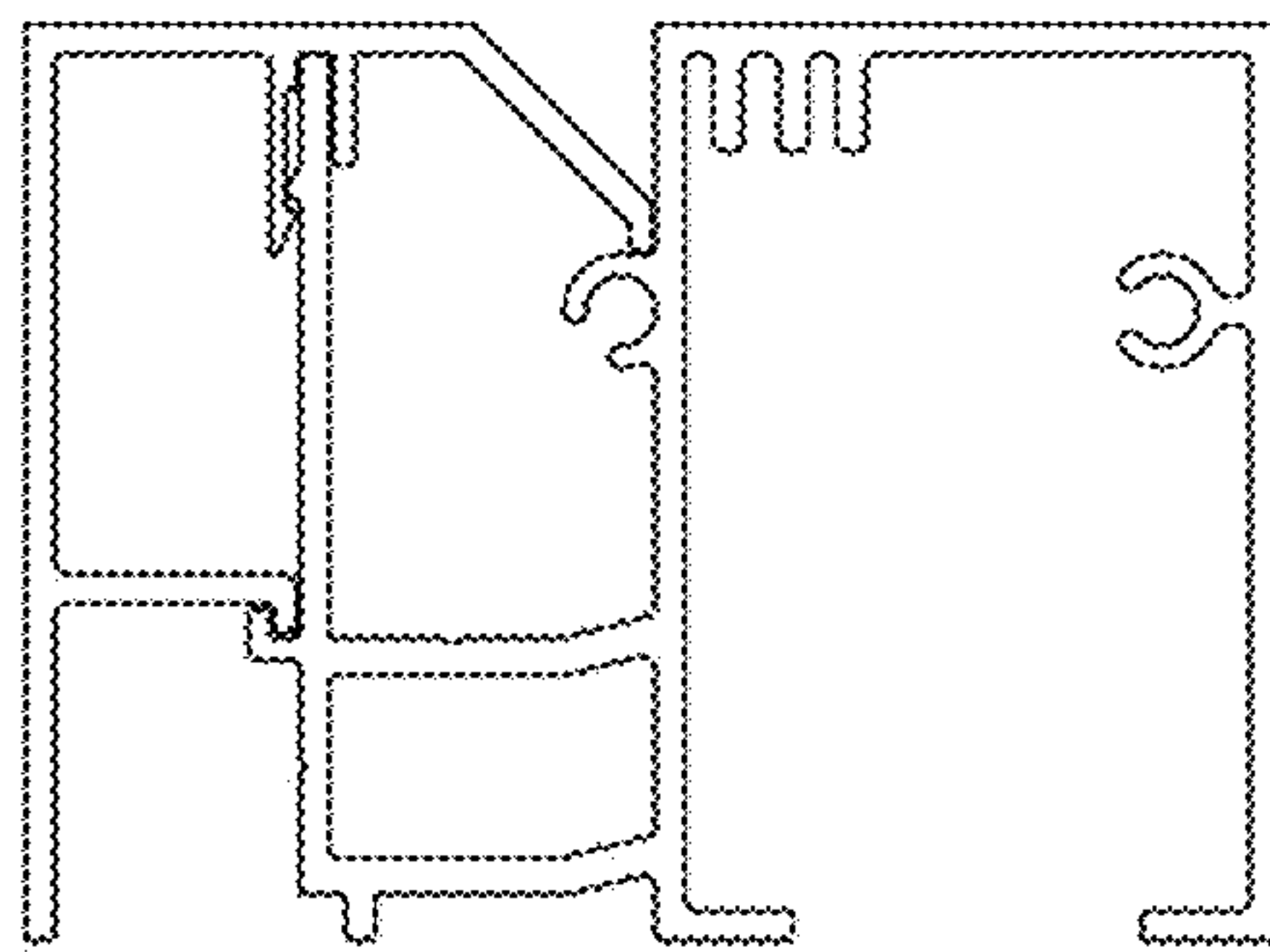


FIG. 4

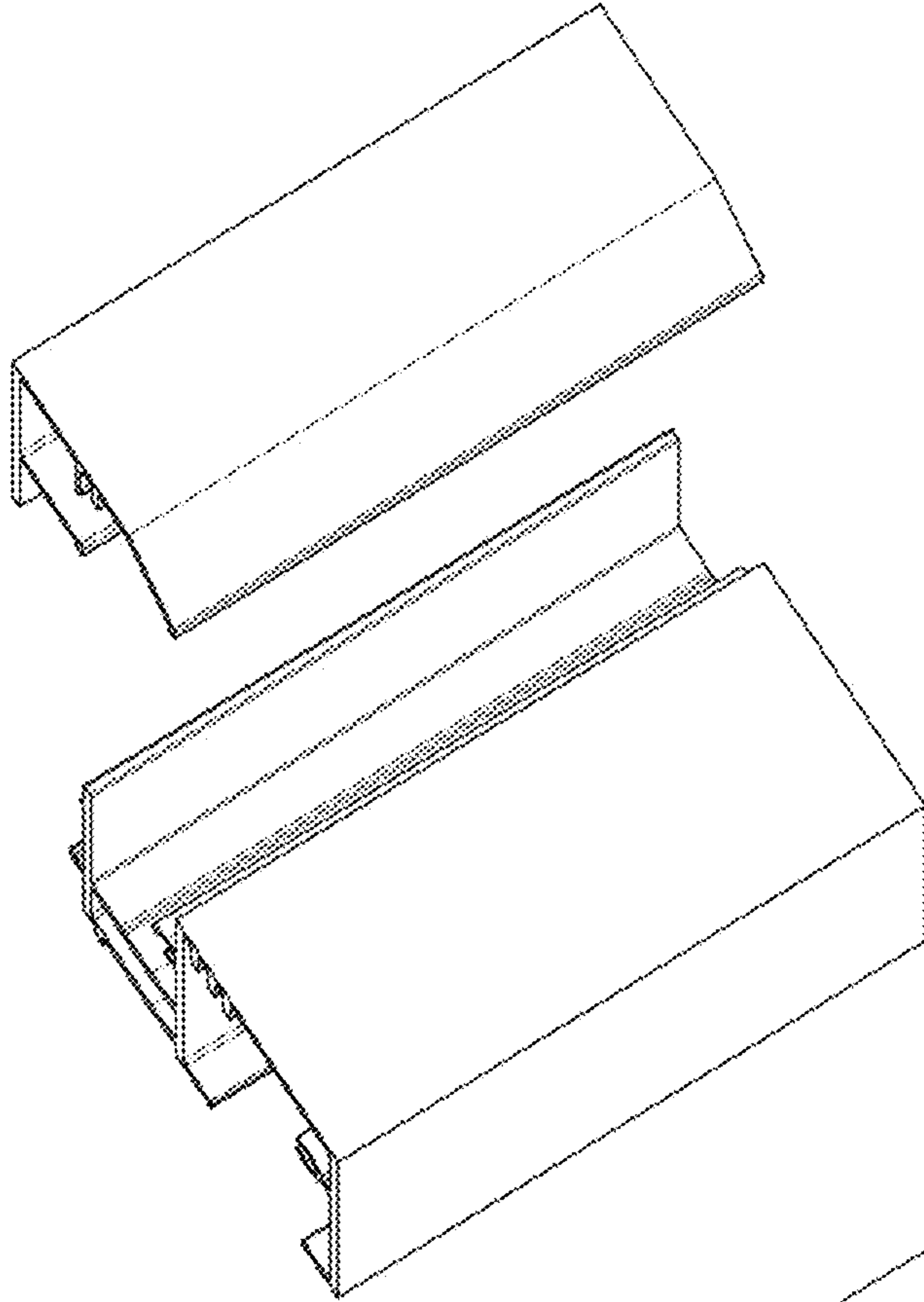


FIG. 5

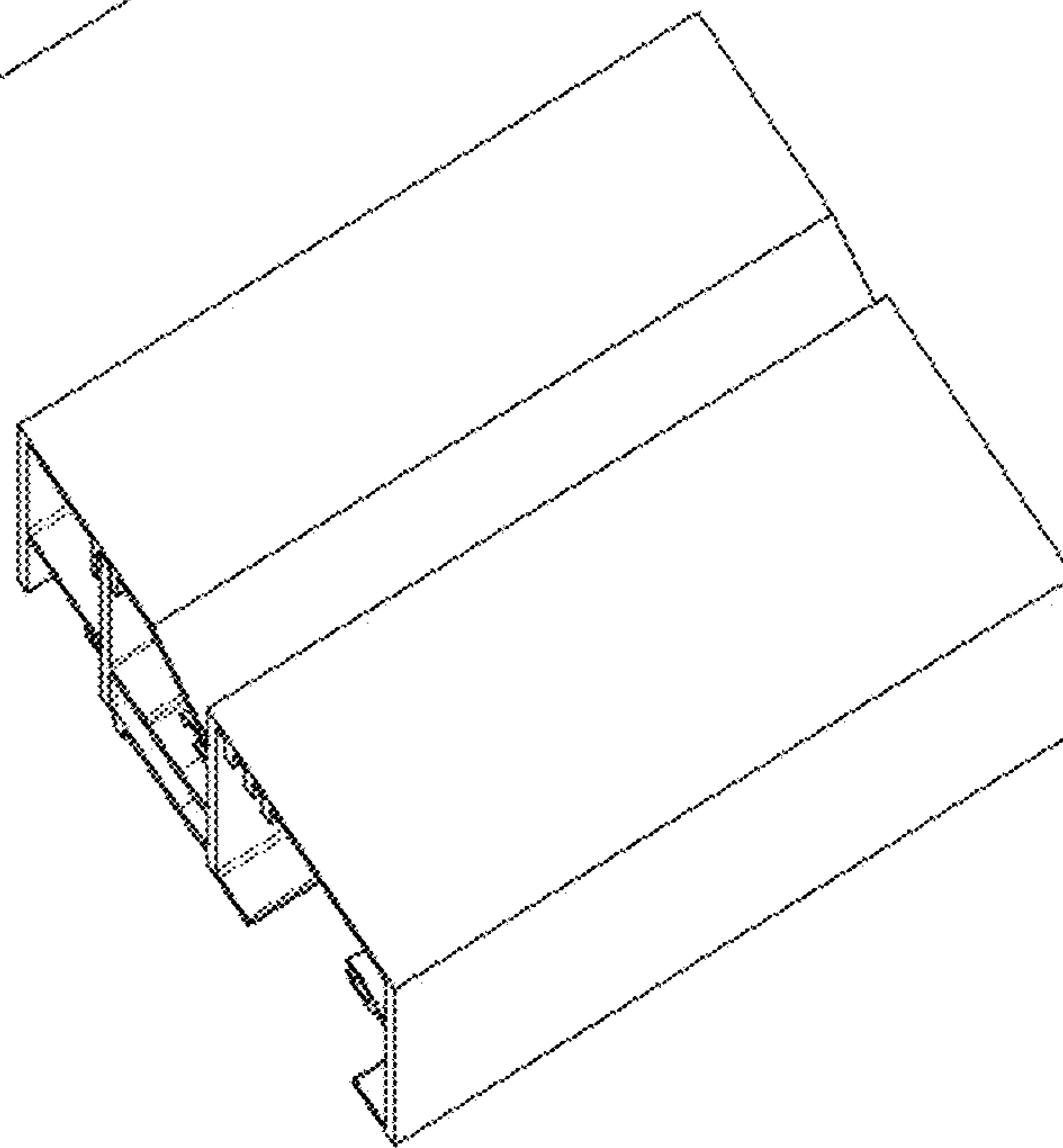


FIG. 6

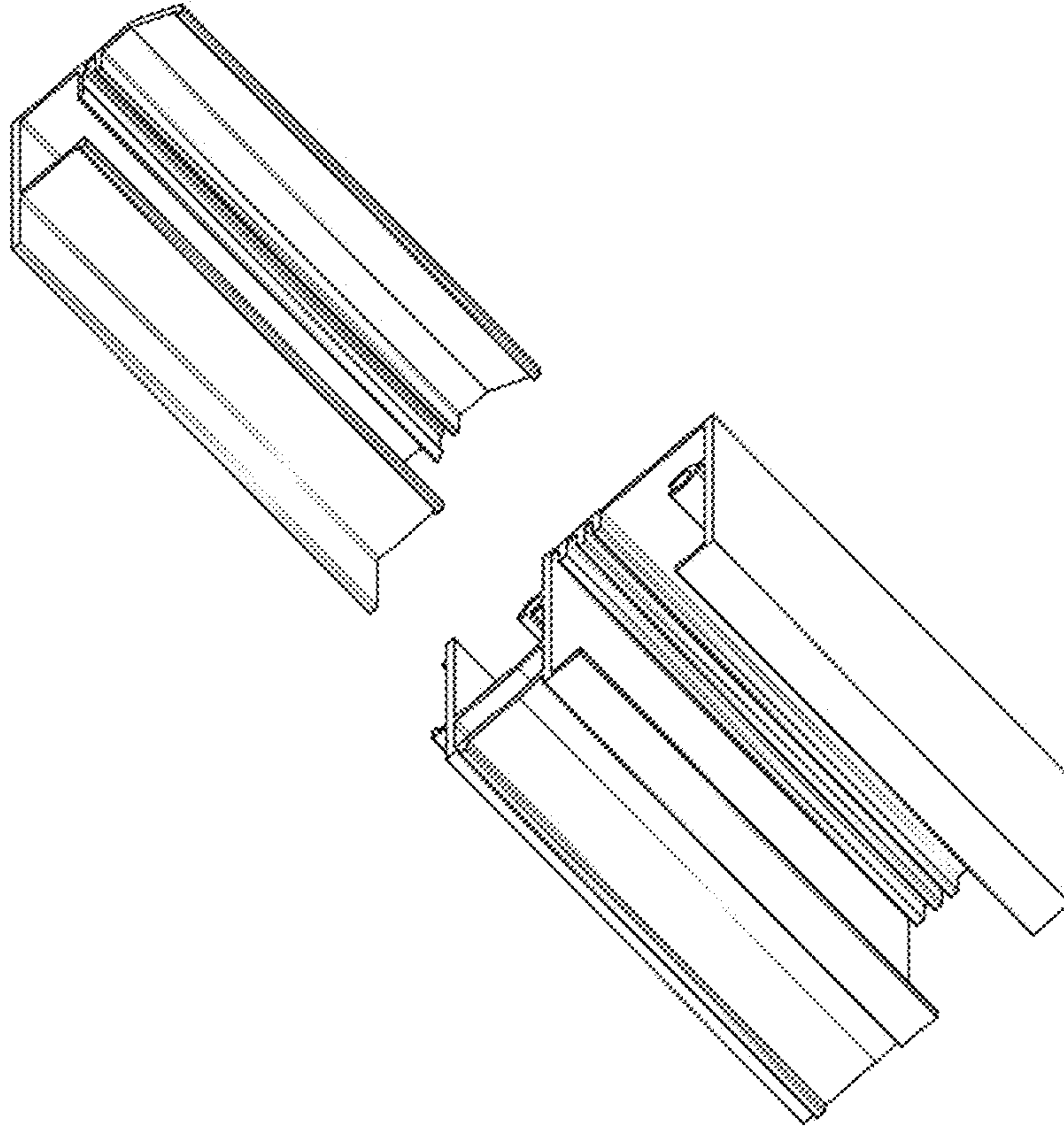


FIG. 7

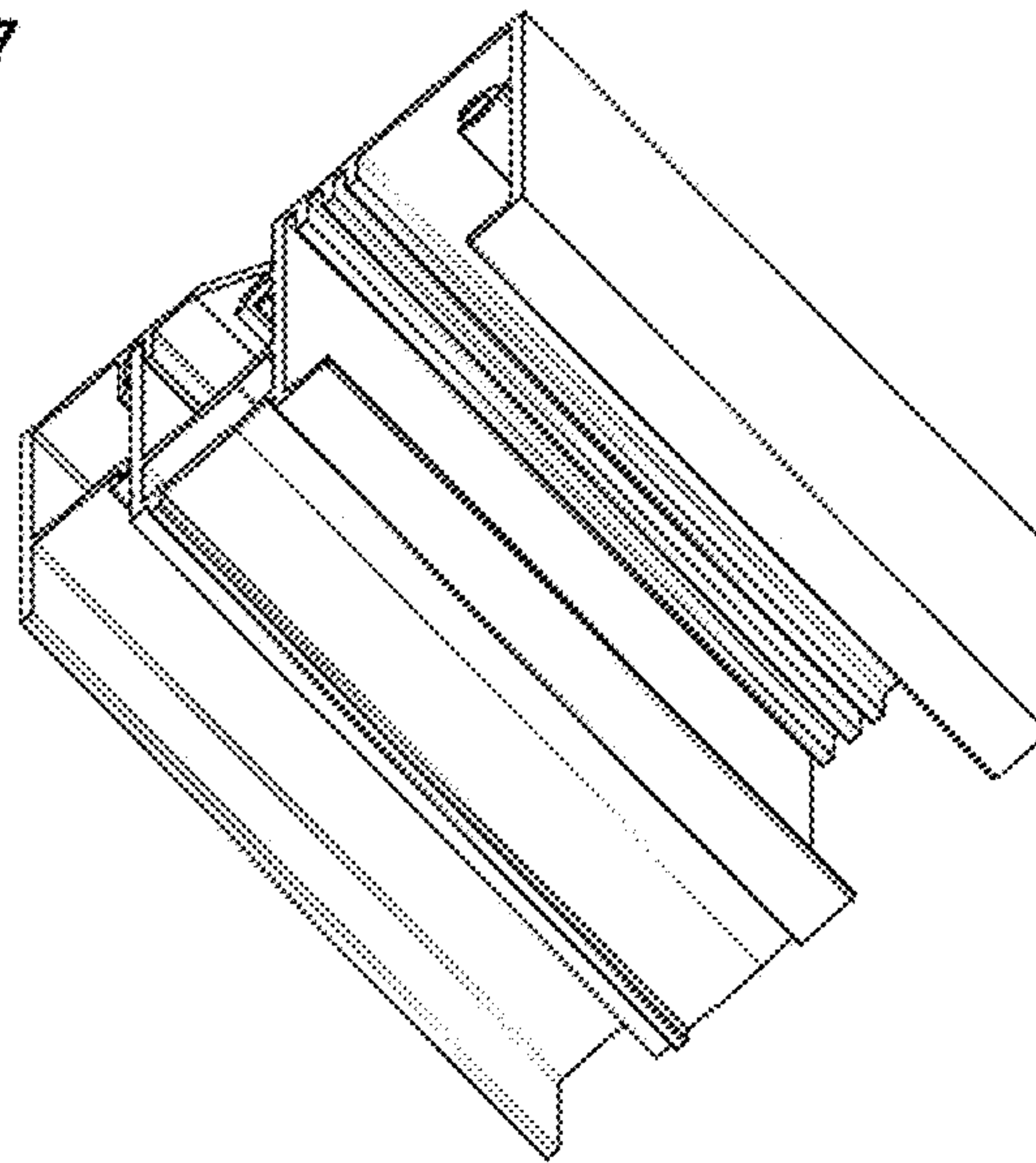


FIG. 8

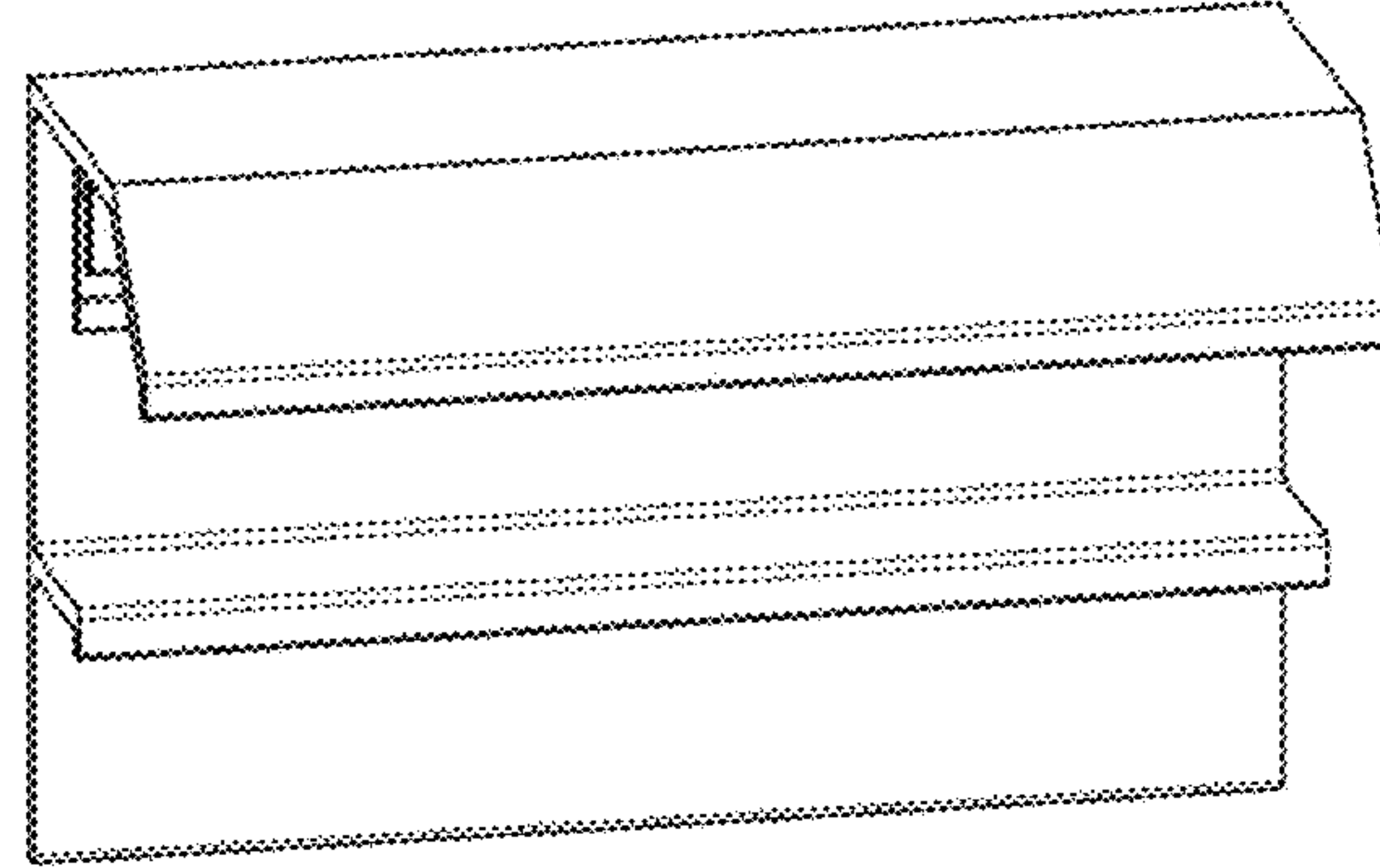


FIG. 9

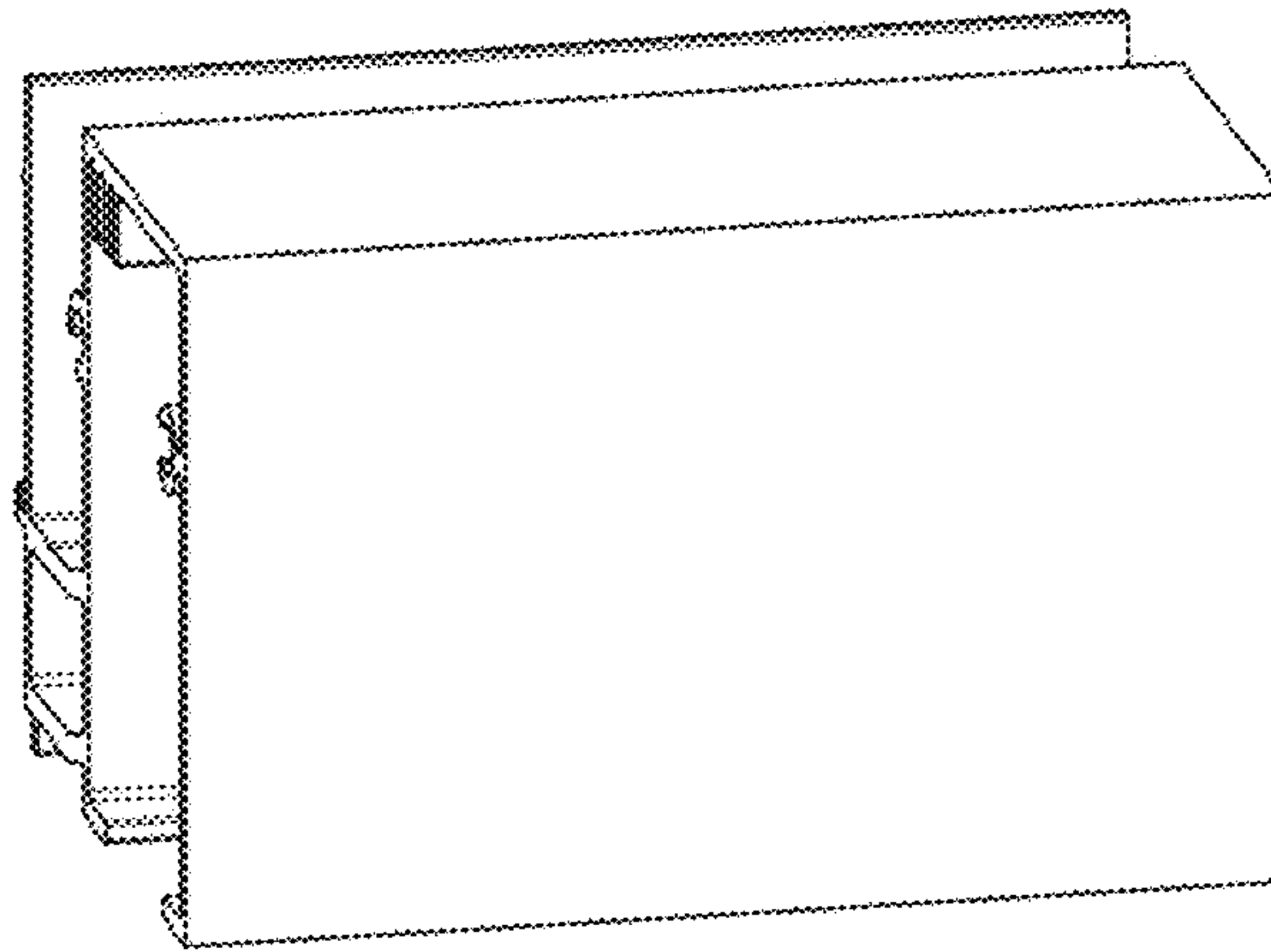
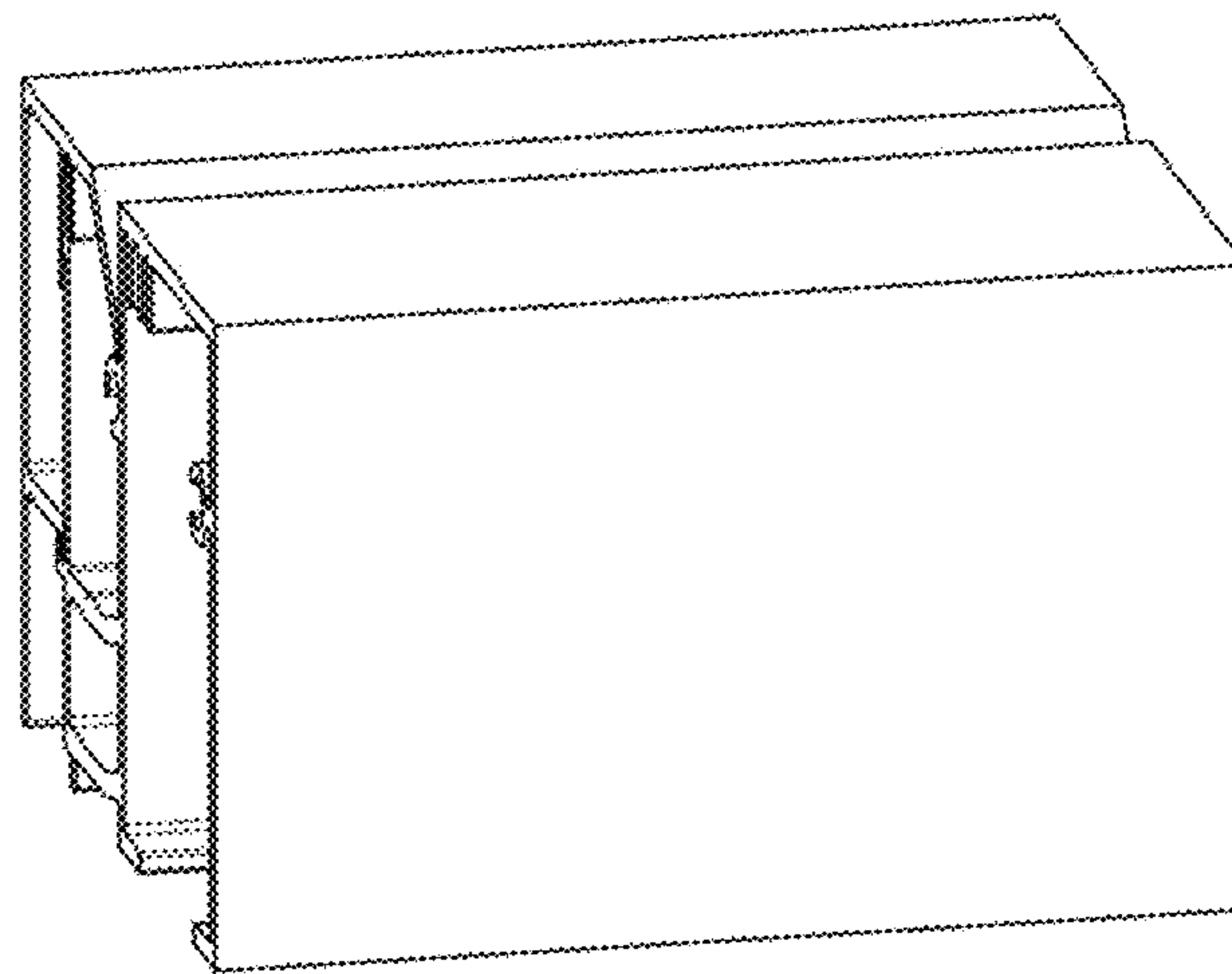


FIG. 10



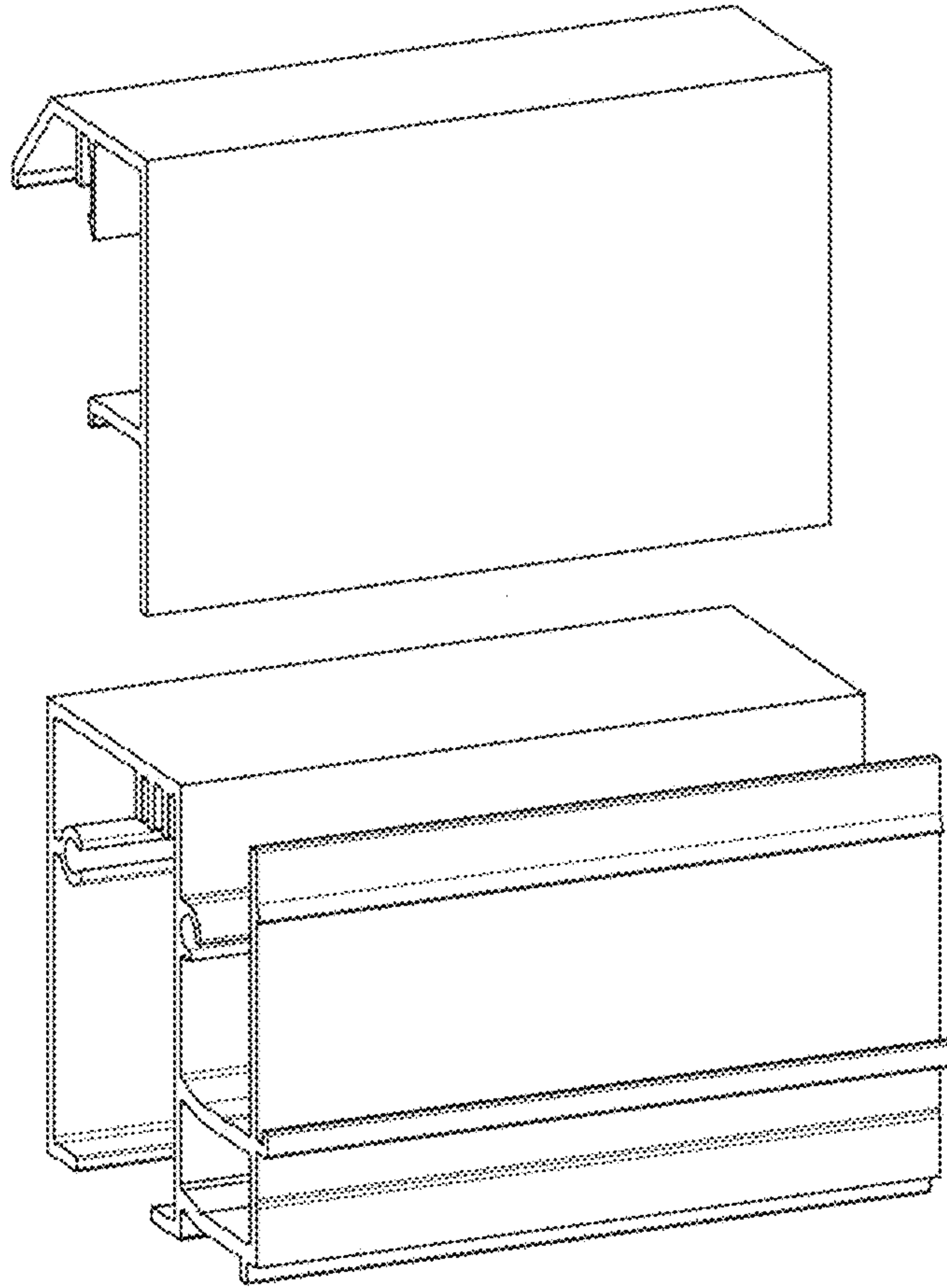


FIG. 11

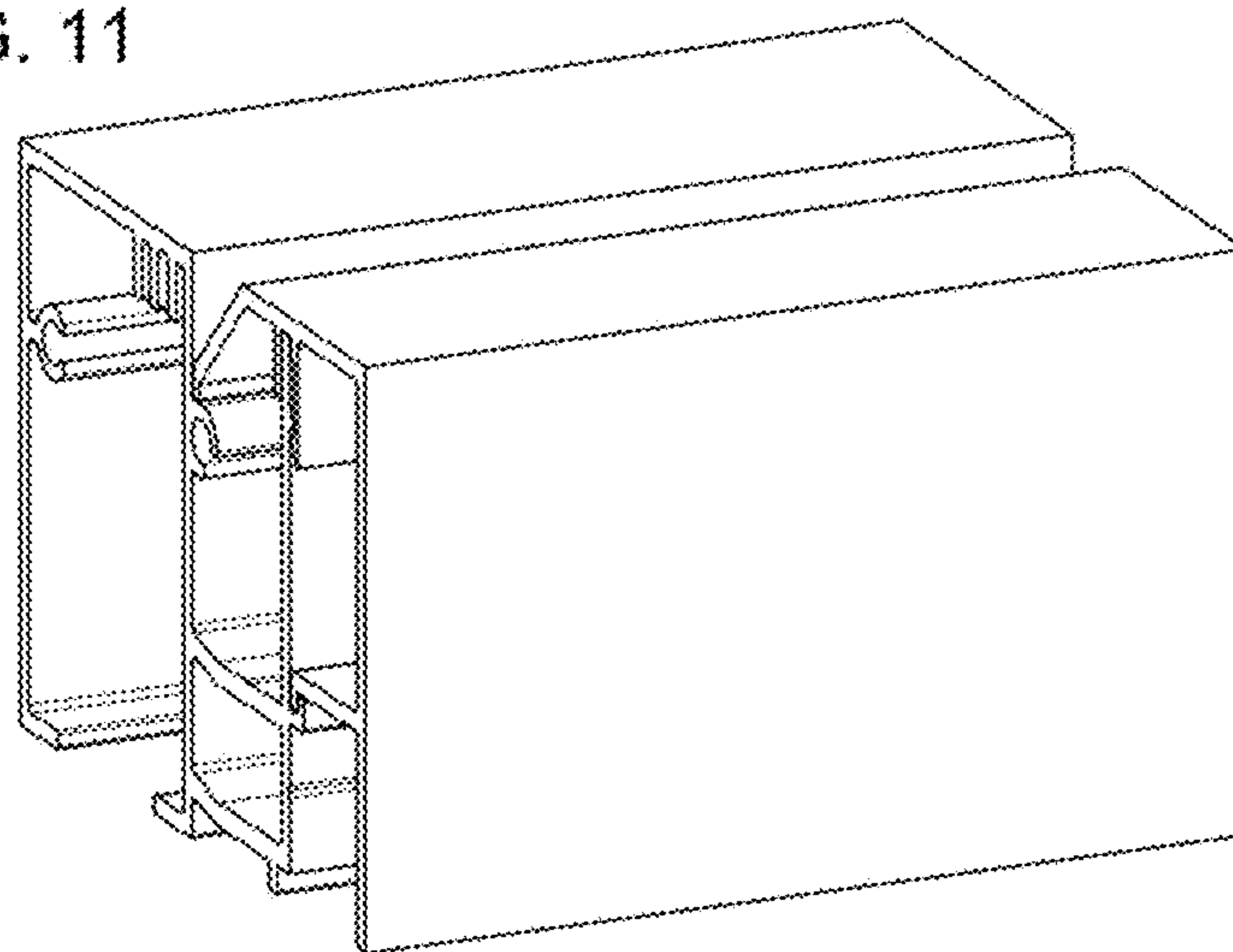


FIG. 12