



US00D938612S

(12) **United States Design Patent**
Liu et al.

(10) **Patent No.: US D938,612 S**
(45) **Date of Patent: ** Dec. 14, 2021**

(54) **SAMPLE RACK**

FOREIGN PATENT DOCUMENTS

(71) Applicant: **Beckman Coulter, Inc.**, Brea, CA (US)

CN 2810594 Y 8/2006
CN 201689104 U 12/2010

(72) Inventors: **Niandong Liu**, Eagan, MN (US); **Amit Sawhney**, Minneapolis, MN (US); **Daniel C. Massa**, Lakeville, MN (US)

(Continued)

(73) Assignee: **BECKMAN COULTER, INC.**, Brea, CA (US)

European Search Report and Opinion dated May 27, 2016 for EP Patent Application No. 15003260.5, 7 pages.

(Continued)

(**) Term: **15 Years**

Primary Examiner — Lilyana Bekic

(21) Appl. No.: **29/607,873**

Assistant Examiner — Mary Shannon Malley

(22) Filed: **Jun. 16, 2017**

(74) *Attorney, Agent, or Firm* — McAndrews, Held & Malloy, Ltd.

(51) **LOC (13) Cl.** **24-01**

(52) **U.S. Cl.**
USPC **D24/229**

(57) **CLAIM**

The ornamental design for a sample rack, as shown and described.

(58) **Field of Classification Search**
USPC D24/227–230; 211/74, 70.1; 422/562, 422/561, 463, 560, 564; 206/443
CPC B01L 9/06; B01L 9/65
See application file for complete search history.

DESCRIPTION

FIG. 1 is a top perspective view of a sample rack showing the claimed design;
FIG. 2 is a side elevation view thereof;
FIG. 3 is a side elevation view thereof, opposite to the side view of FIG. 2;
FIG. 4 is a front elevation view thereof;
FIG. 5 is a rear elevation view thereof;
FIG. 6 is a top plan view thereof;
FIG. 7 is a bottom plan view thereof;
FIG. 8 is an enlarged perspective view of a portion thereof as identified in FIG. 1;
FIG. 9 is a cross section view taken along line 9-9 of FIG. 2; and,
FIG. 10 is a cross section view taken along line 10-10 of FIG. 2.
The broken lines depict portions of the sample rack that form no part of the claimed design.

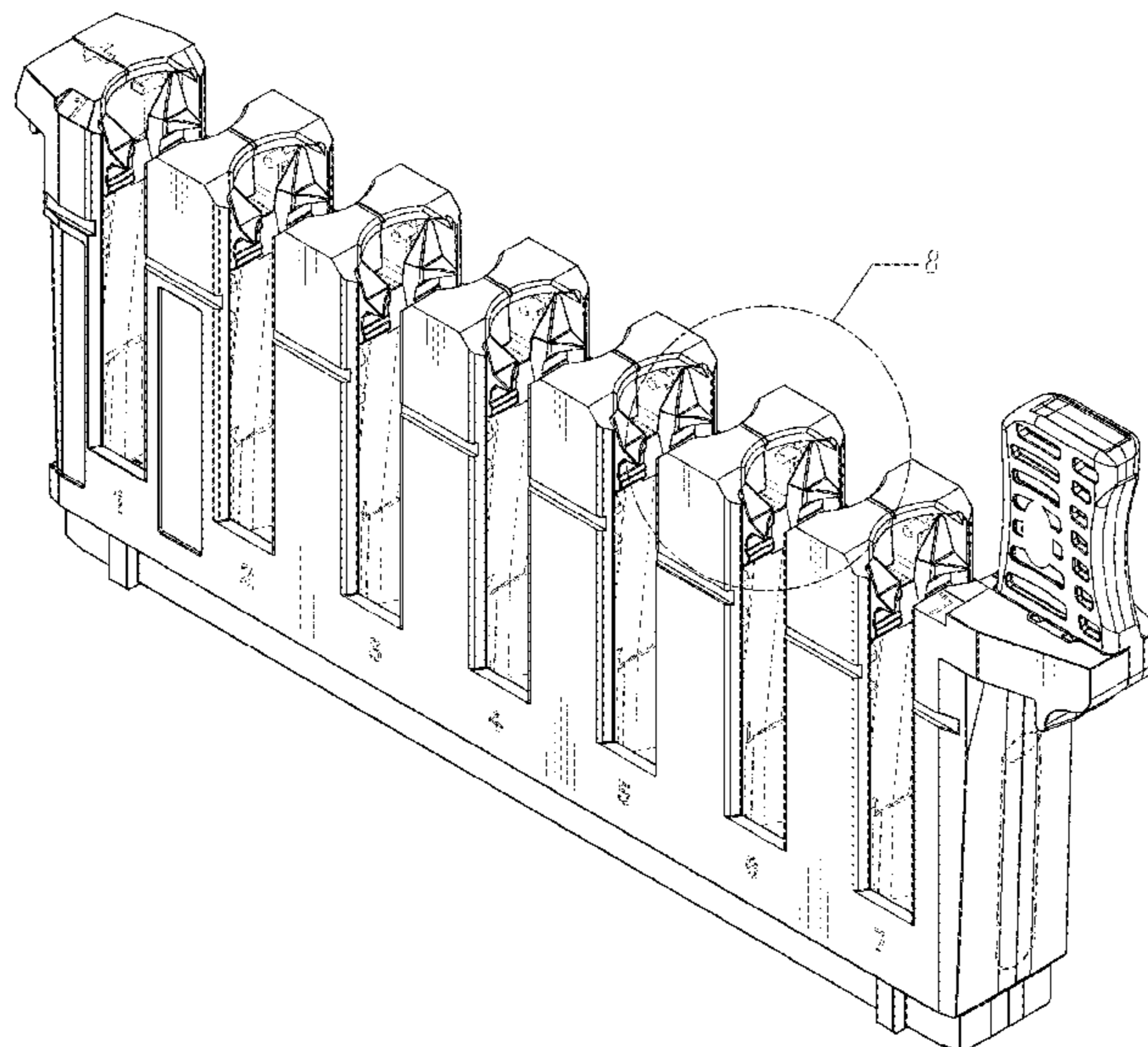
(56) **References Cited**

U.S. PATENT DOCUMENTS

3,604,566 A	9/1971	Rem et al.	
4,090,850 A	5/1978	Chen et al.	
4,284,603 A	8/1981	Korom	
D265,126 S	6/1982	Beall	
D302,207 S	7/1989	Matkovich	
5,080,232 A	1/1992	Leoncavallo et al.	
5,128,105 A	7/1992	Berthold et al.	
5,169,603 A	12/1992	Landsberger	
5,318,753 A	6/1994	Honda	
5,456,360 A	10/1995	Griffin	
5,579,929 A	12/1996	Schwartz	
5,651,941 A	7/1997	Stark et al.	
D382,346 S *	8/1997	Buhler D24/227
5,687,849 A	11/1997	Borenstein et al.	

(Continued)

1 Claim, 7 Drawing Sheets



(56)

References Cited

U.S. PATENT DOCUMENTS

5,785,927 A 7/1998 Scott et al.
 5,902,549 A 5/1999 Mimura et al.
 D413,391 S * 8/1999 Lapeus D24/227
 5,939,024 A 8/1999 Robertson
 D414,271 S 9/1999 Mendoza
 5,996,818 A 12/1999 Boje et al.
 D420,743 S 2/2000 Monks
 D428,497 S * 7/2000 Lapeus D24/227
 6,132,684 A 10/2000 Marino
 6,190,619 B1 2/2001 Kilcoin et al.
 D448,854 S 10/2001 Kuiper et al.
 D461,554 S 8/2002 Lafond et al.
 D466,219 S 11/2002 Wynschenk et al.
 6,533,133 B2 3/2003 Liu
 6,568,544 B1 5/2003 Lafond et al.
 6,932,942 B2 8/2005 Itoh
 7,000,785 B2 2/2006 Jafari et al.
 7,122,158 B2 10/2006 Itoh
 7,169,361 B2 1/2007 Arnold, Jr. et al.
 7,191,904 B2 3/2007 Wscott, III
 7,282,182 B2 10/2007 Dale et al.
 D595,420 S 6/2009 Suzuki et al.
 D596,312 S * 7/2009 Giraud D24/230
 7,611,675 B2 11/2009 Sevigny et al.
 D622,860 S 8/2010 Karpiloff
 D628,305 S 11/2010 Gorrec et al.
 D628,306 S 11/2010 Blanc et al.
 7,824,615 B2 11/2010 Balli
 D632,404 S 2/2011 Karpiloff
 7,910,067 B2 3/2011 Knight et al.
 D639,447 S 6/2011 Karpiloff
 8,312,781 B2 11/2012 Himmelsbach et al.
 D672,881 S * 12/2012 Kraihanzel D24/224
 D674,507 S 1/2013 Suzuki et al.
 D675,338 S * 1/2013 Suzuki D24/229
 D675,748 S 2/2013 Hilligoss et al.
 D686,749 S 7/2013 Trump
 8,580,195 B2 * 11/2013 Frey G01N 35/0099
 422/63
 D699,371 S 2/2014 Williams et al.
 D710,024 S 7/2014 Guo
 8,845,985 B2 * 9/2014 Herchenbach B01L 9/06
 211/71.01
 8,940,252 B2 1/2015 Ziegler
 D724,236 S 3/2015 Motadel et al.
 D729,404 S 5/2015 Teich et al.
 9,046,506 B2 6/2015 Mueller et al.
 9,144,801 B2 9/2015 Johnson et al.
 9,358,542 B2 6/2016 Tyagi et al.
 9,423,409 B2 8/2016 Friedman
 D768,870 S 10/2016 Kuhn et al.
 9,482,684 B2 11/2016 Johns et al.
 9,505,005 B2 11/2016 Takai
 D774,659 S 12/2016 Quackenbush et al.
 9,630,179 B2 4/2017 Knight et al.
 D785,428 S 5/2017 Friesen
 D787,087 S 5/2017 Duffy et al.
 9,636,681 B2 5/2017 Ohga et al.
 D808,540 S 1/2018 Johns et al.
 D812,243 S 3/2018 Johns et al.
 D812,244 S * 3/2018 Shanafelter D24/230
 9,943,849 B2 * 4/2018 Johnson B01L 9/06
 D825,774 S 8/2018 Self et al.
 D827,149 S 8/2018 Self et al.
 D832,456 S 10/2018 Self et al.
 D838,380 S 1/2019 Self et al.
 D840,053 S 2/2019 Kamees et al.
 D843,014 S 3/2019 Johns et al.
 D844,806 S 4/2019 Johns et al.
 D849,961 S 5/2019 Muller et al.
 D854,707 S 7/2019 Jakobsen et al.
 2002/0068022 A1 6/2002 Schneider
 2002/0108917 A1 8/2002 Maruyama
 2003/0017084 A1 1/2003 Dale et al.
 2003/0235519 A1 12/2003 Sha et al.

2005/0180895 A1 8/2005 Itoh
 2008/0131328 A1 * 6/2008 Schutt B01L 9/06
 422/400
 2009/0065458 A1 3/2009 Murray
 2010/0203643 A1 8/2010 Self et al.
 2011/0274595 A1 11/2011 Ziegler
 2011/0306118 A1 12/2011 Belz et al.
 2012/0195808 A1 * 8/2012 Arras G01N 35/04
 422/430
 2013/0195720 A1 * 8/2013 Behnk B65G 49/00
 422/68.1
 2013/0315800 A1 11/2013 Yin et al.
 2014/0140804 A1 5/2014 Focke et al.
 2014/0287515 A1 * 9/2014 Habrich G01N 35/00732
 436/47
 2015/0101911 A1 4/2015 Friedman
 2015/0174579 A1 6/2015 Iten et al.
 2016/0101422 A1 4/2016 Bucher et al.
 2016/0161521 A1 * 6/2016 Sakairi G01N 35/1002
 422/67
 2016/0320421 A1 11/2016 Trump et al.
 2016/0333337 A1 11/2016 Duffy et al.
 2017/0043346 A1 2/2017 Welch et al.
 2017/0136467 A1 5/2017 Johns et al.

FOREIGN PATENT DOCUMENTS

CN 202078914 12/2011
 CN 202277846 U 6/2012
 CN 102989539 A 3/2013
 DE 19849714 A1 5/1999
 EP 0753748 1/1997
 EP 0965385 12/1999
 EP 2081128 A1 7/2009
 EP 2081128 B1 12/2012
 EP 2179025 B1 10/2016
 EP 3167962 A1 5/2017
 EP 3167962 A1 5/2017
 GB 2520521 A 5/2015
 JP 2001272408 A 10/2001
 JP 5686899 B2 3/2015
 JP D1603153 * 5/2018
 WO 2005093433 10/2005
 WO 2006/113854 A2 10/2006
 WO 2008014117 1/2008
 WO 2012/030877 A2 3/2012
 WO WO-2018232364 A1 12/2018

OTHER PUBLICATIONS

U.S. Appl. No. 29/572,615, filed Jul. 28, 2016.
 U.S. Appl. No. 29/572,596, filed Jul. 28, 2016.
 PCT/US2018/037930 , “International Search Report and Written Opinion”, dated Aug. 9, 2018, 14 pages.
 U.S. Appl. No. 29/634,473, filed Jan. 22, 2018.
 U.S. Appl. No. 29/639,293, filed Mar. 5, 2018.
 “U.S. Appl. No. 15/352,473, Final Office Action dated Oct. 4, 2018”, 10 pgs.
 “U.S. Appl. No. 15/352,473, Final Office Action dated Oct. 16, 2019”, 9 pgs.
 “U.S. Appl. No. 15/352,473, Non Final Office Action dated Mar. 15, 2019”, 9 pgs.
 “U.S. Appl. No. 15/352,473, Non Final Office Action dated Apr. 2, 2018”, 12 pgs.
 “U.S. Appl. No. 15/352,473, Preliminary Amendment filed Nov. 15, 2016”, 8 pgs.
 “U.S. Appl. No. 15/352,473, Response filed Mar. 4, 2019 to Final Office Action dated Oct. 4, 2018”, 9 pgs.
 “U.S. Appl. No. 15/352,473, Response filed Aug. 2, 2018 to Non Final Office Action dated Apr. 2, 2018”, 11 pgs.
 “U.S. Appl. No. 15/352,473, Response filed Jul. 15, 2019 to Non-Final Office Action dated Mar. 15, 2019”, 16 pgs.
 “U.S. Appl. No. 16/622,168 Preliminary Amendment filed Dec. 12, 2019”, 9 pgs.

(56)

References Cited

OTHER PUBLICATIONS

“U.S. Appl. No. 29/572,596, Ex Parte Quayle Action mailed Jun. 1, 2017”, 6 pgs.
“U.S. Appl. No. 29/572,596, Notice of Allowance dated Jan. 19, 2018”, 7 pgs.
“U.S. Appl. No. 29/572,596, Response filed Aug. 1, 2017 to Ex Parte Quayle Action mailed Jun. 1, 2017”, 5 pgs.
“U.S. Appl. No. 29/572,615, Ex Parte Quayle Action mailed Jun. 2, 2017”, 7 pgs.
“U.S. Appl. No. 29/572,615, Notice of Allowance dated Sep. 11, 2017”, 7 pgs.
“U.S. Appl. No. 29/572,615, Notice of Allowance dated Nov. 6, 2017”, 2 pgs.
“U.S. Appl. No. 29/572,615, Response filed Aug. 2, 2017 to Ex Parte Quayle Action mailed Jun. 2, 2017”, 7 pgs.
“U.S. Appl. No. 29/634,473, Ex Parte Quayle Action mailed Aug. 3, 2018”, 5 pgs.
“U.S. Appl. No. 29/634,473, Notice of Allowance dated Nov. 6, 2018”, 5 pgs.
“U.S. Appl. No. 29/634,473, Preliminary Amendment filed Jan. 22, 2018”, 3 pgs.
“U.S. Appl. No. 29/634,473, Response filed Sep. 26, 2018 to Ex Parte Quayle Action mailed Aug. 3, 2018”, 5 pgs.

“U.S. Appl. No. 29/639,293, Ex Parte Quayle Action mailed Jul. 24, 2018”, 5 pgs.
“U.S. Appl. No. 29/639,293, Notice of Allowance dated Oct. 16, 2018”, 5 pgs.
“U.S. Appl. No. 29/639,293, Preliminary Amendment filed Apr. 13, 2018”, 3 pgs.
“U.S. Appl. No. 29/639,293, Response filed Sep. 24, 2018 to Ex Parte Quayle Action mailed Jul. 24, 2018”, 5 pgs.
“U.S. Appl. No. 29/683,165, Ex Parte Quayle Action mailed Oct. 3, 2019”, 7 pgs.
“U.S. Appl. No. 29/683,165, Notice of Allowance dated Jan. 3, 2020”, 5 pgs.
“U.S. Appl. No. 29/683,165, Preliminary Amendment filed Mar. 11, 2019”, 3 pgs.
“U.S. Appl. No. 29/683,165, Response filed Dec. 2, 2019 to Ex Parte Quayle Action mailed Oct. 3, 2019”, 4 pgs.
Johns, Charles W., et al., “Sample Tube Rack Design”, U.S. Appl. No. 29/572,596, filed Jul. 28, 2016, 9 pgs.
Liu, Niandong, et al., “Sample Rack”, U.S. Appl. No. 29/607,873, filed Jun. 16, 2017, 27 pgs.
U.S. Appl. No. 29/683,165, filed Mar. 11, 2019, Sample Tube Rack.
U.S. Appl. No. 16/622,168, filed Dec. 12, 2019, Apparatus and Method for Handling Sample Containers.

* cited by examiner

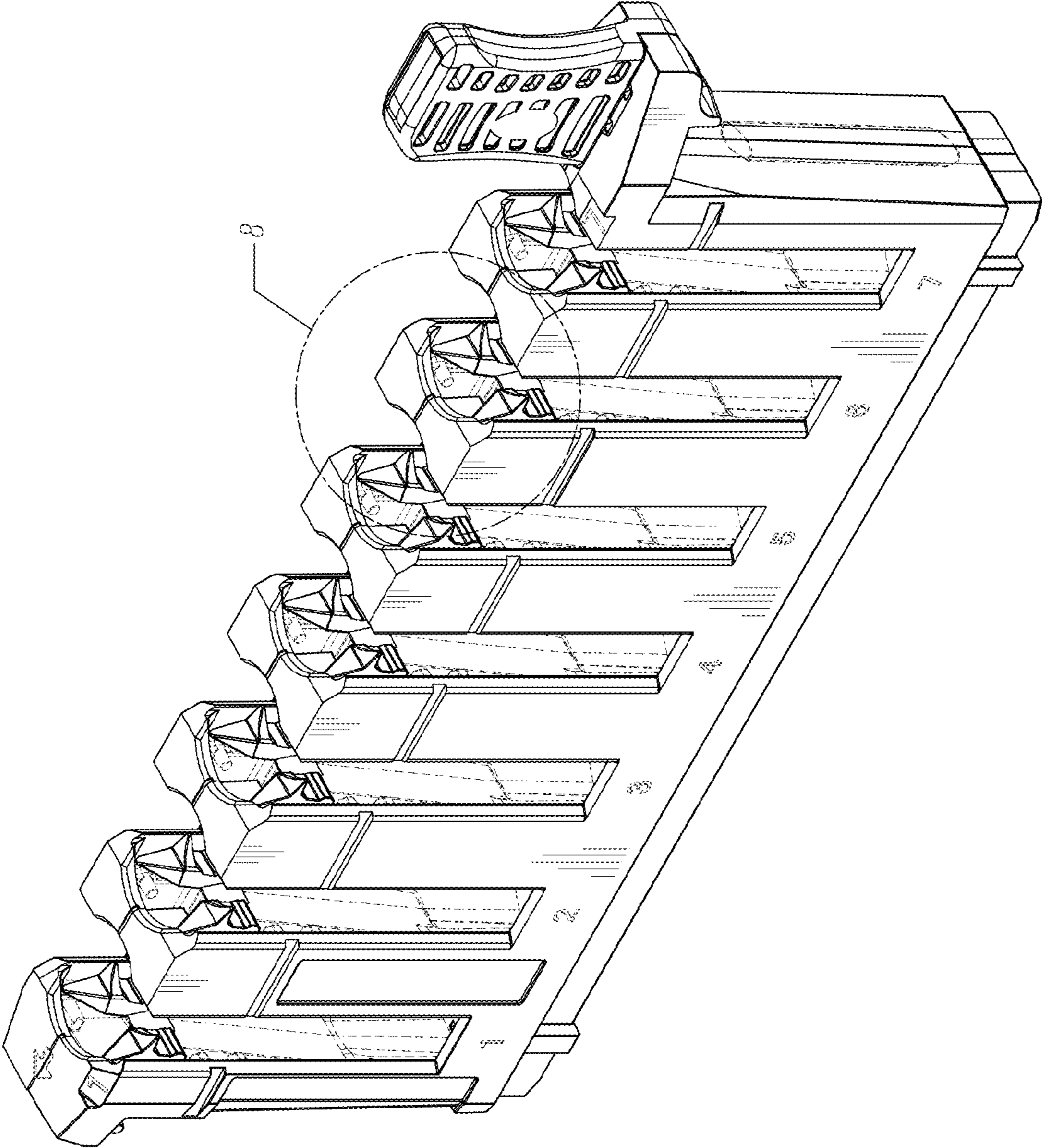


FIG. 1

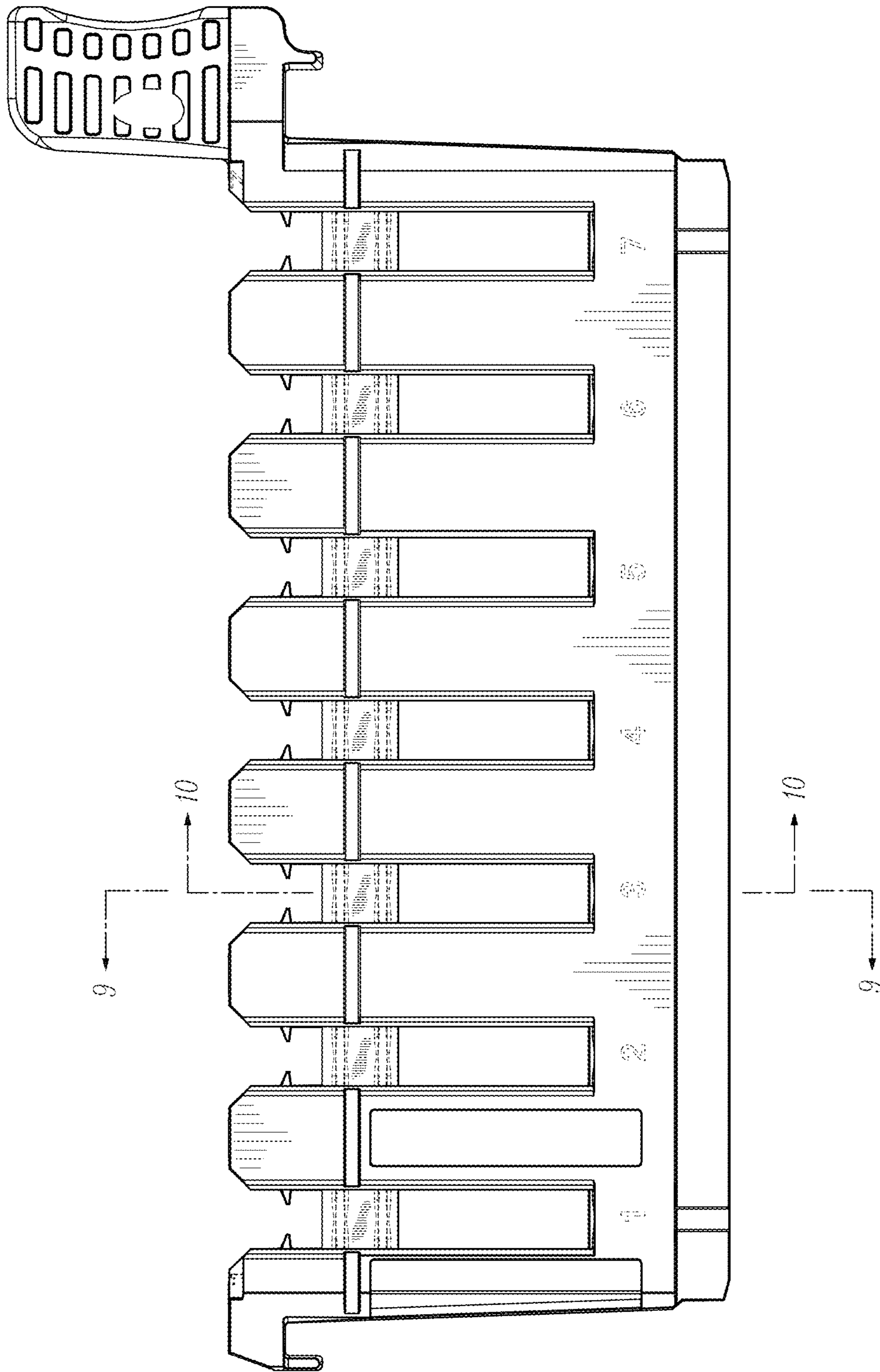


FIG. 2

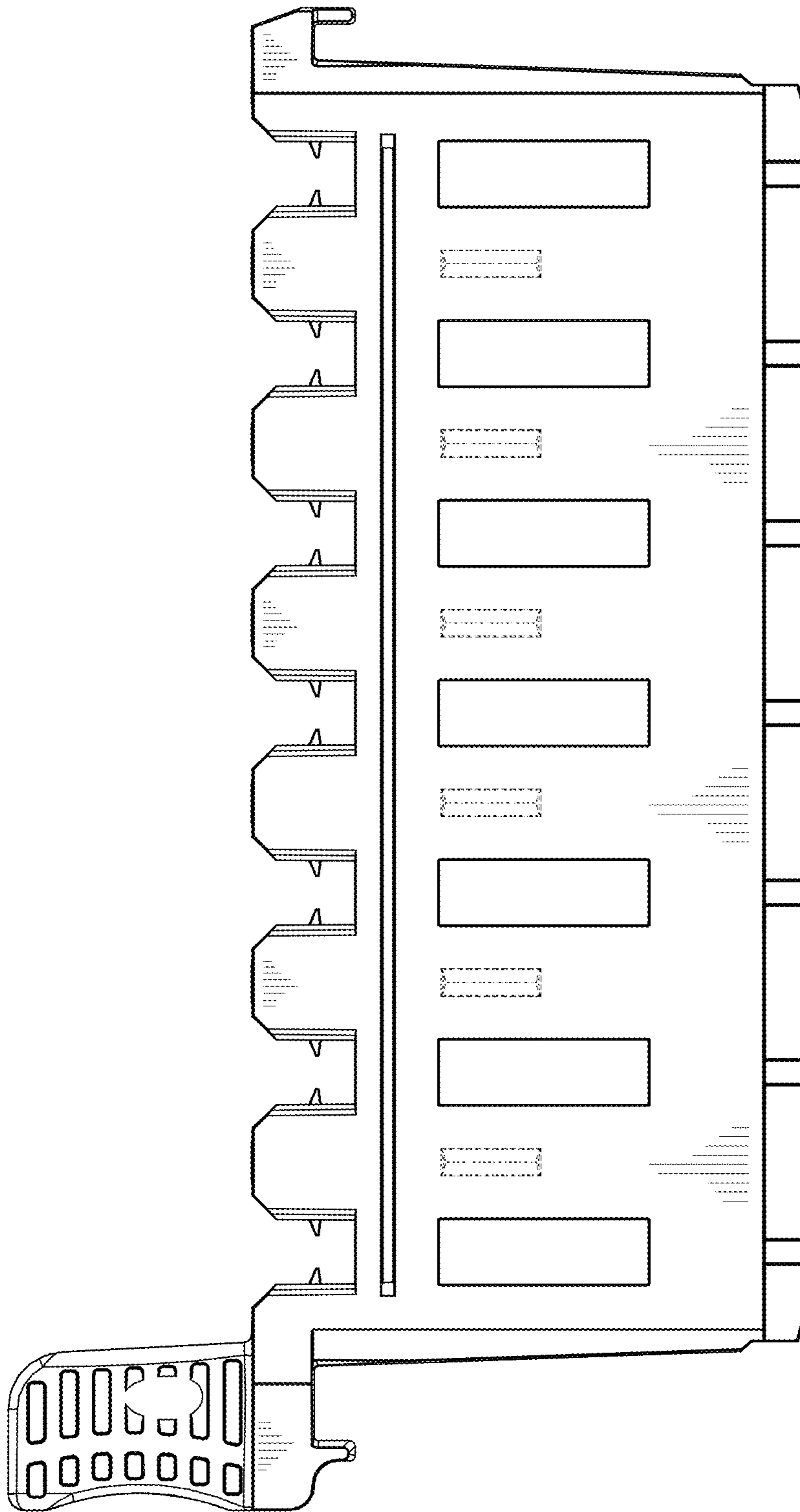


FIG. 3

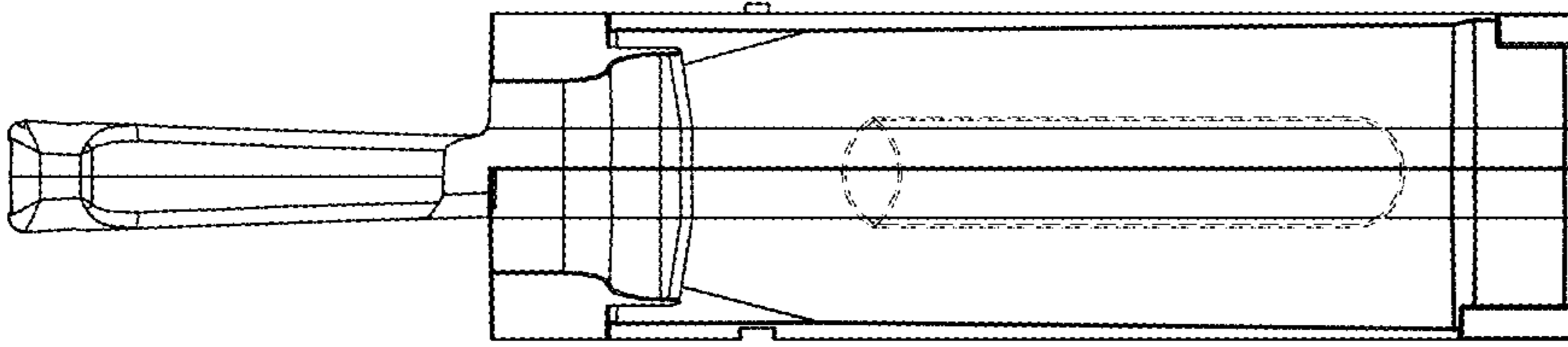


FIG. 5

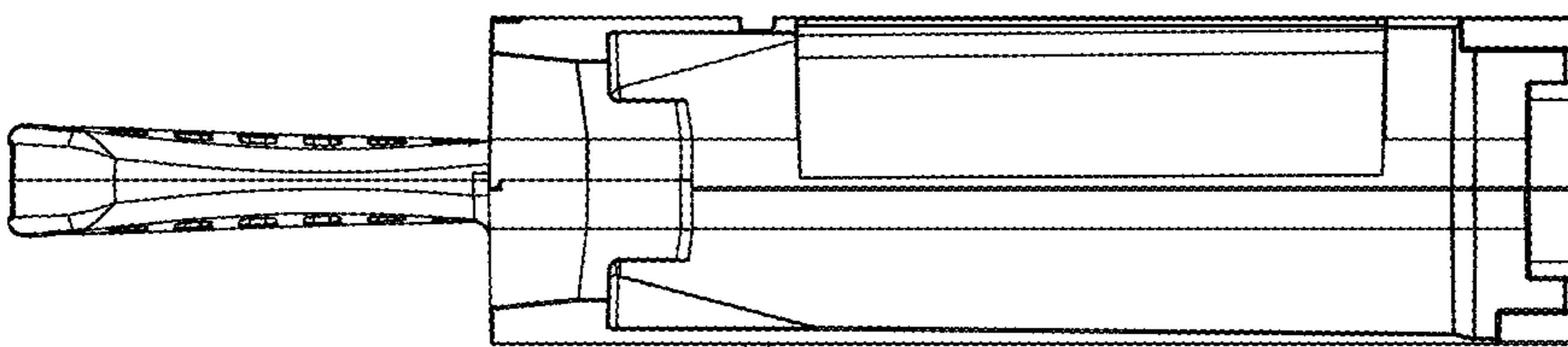


FIG. 4

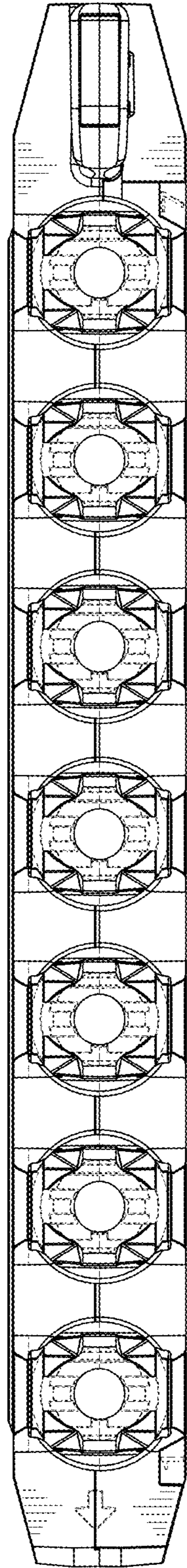


FIG. 6

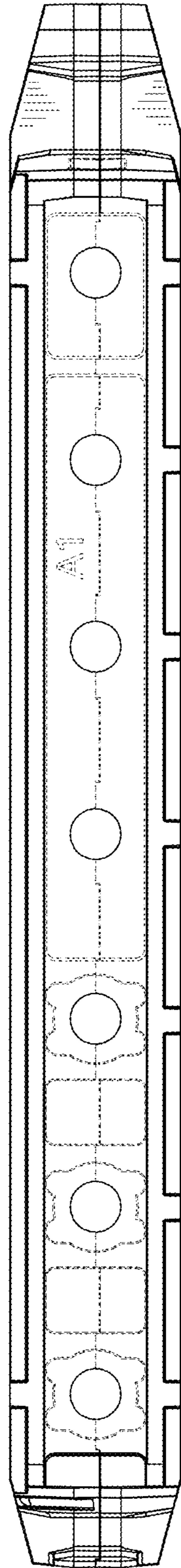


FIG. 7

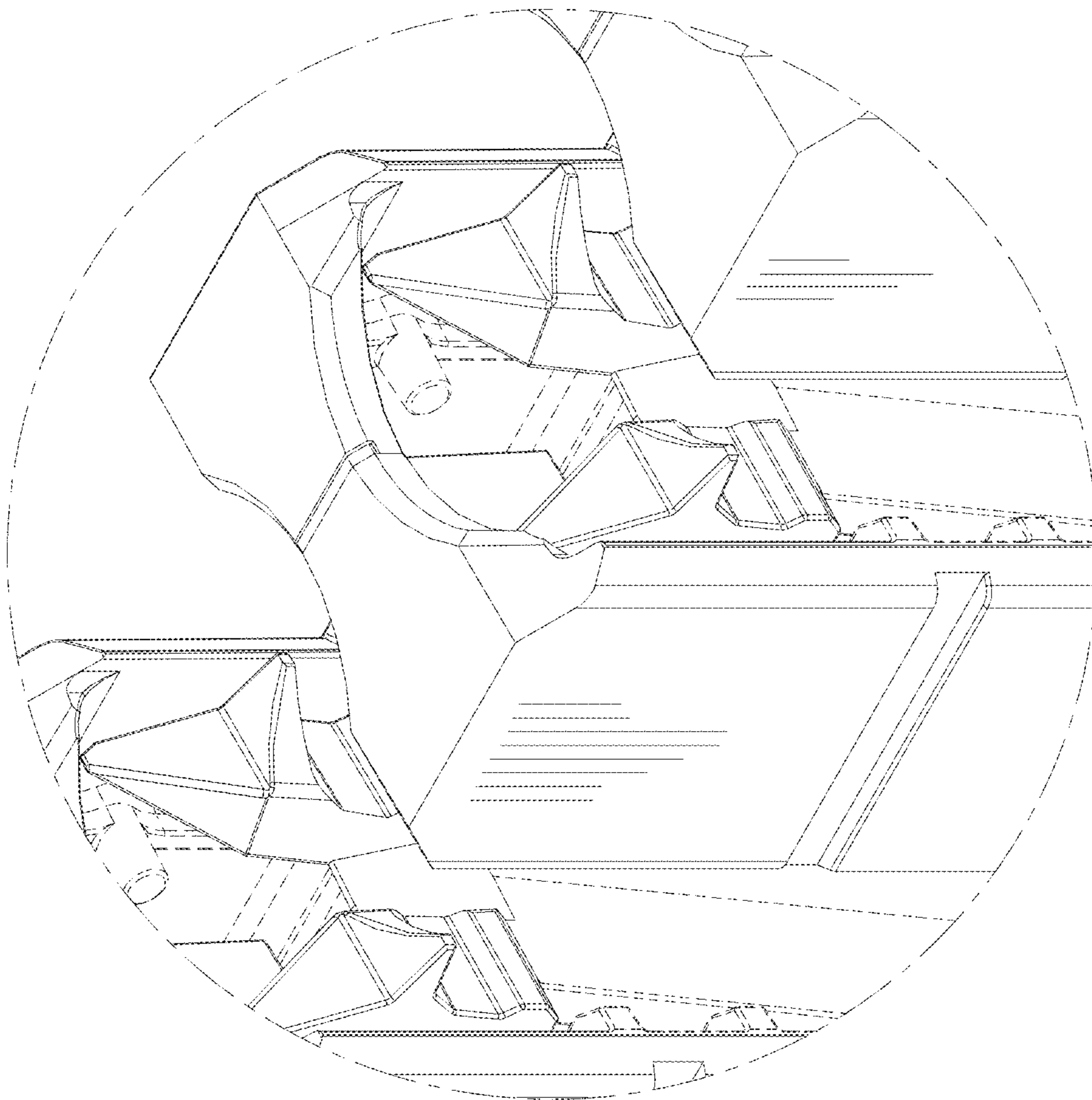


FIG. 8

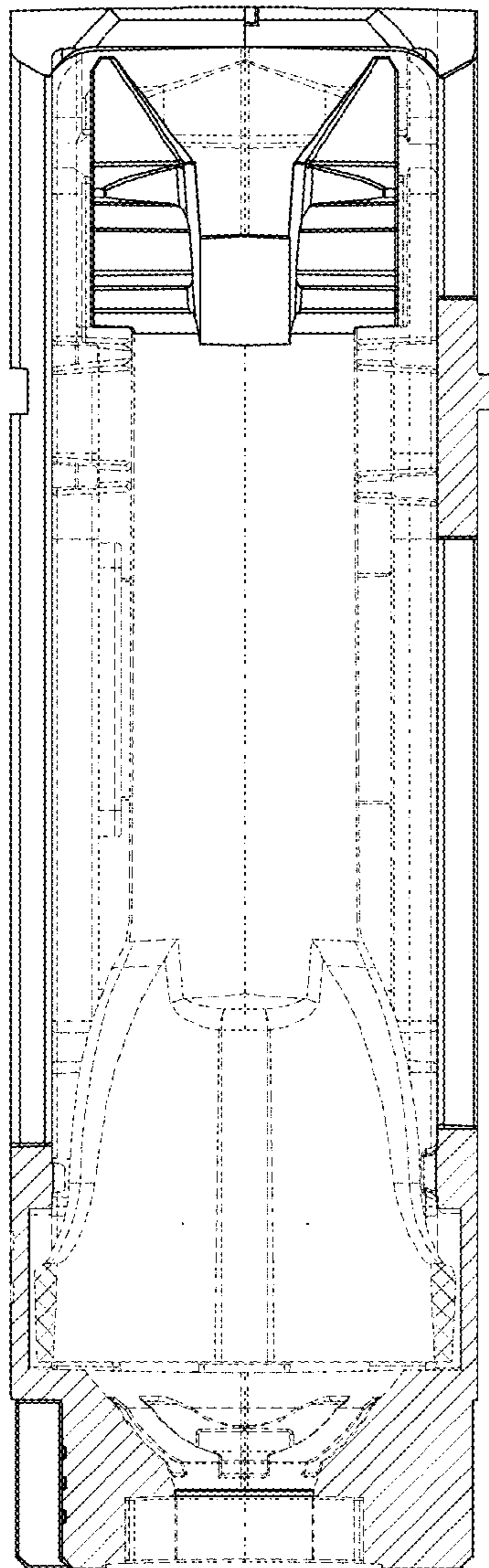


FIG. 9

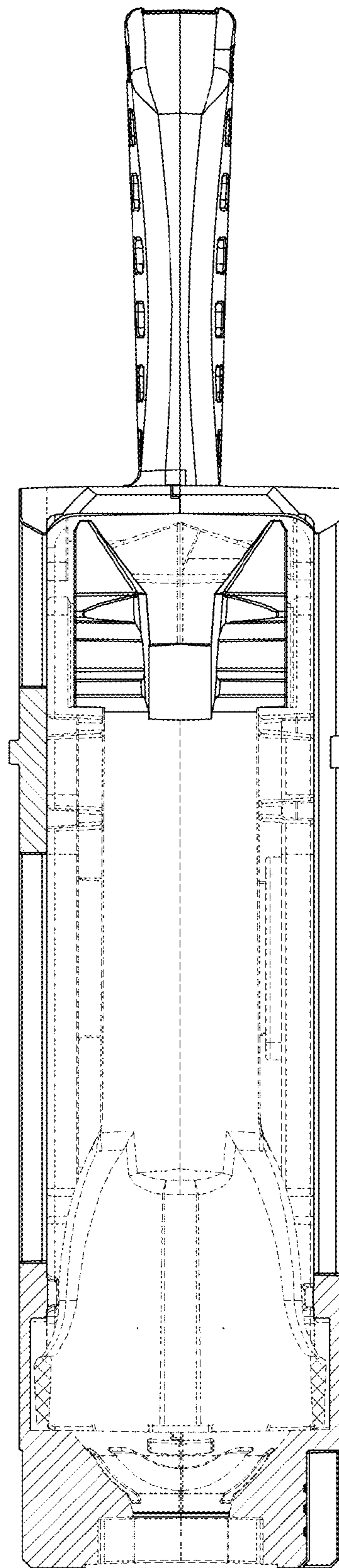


FIG. 10