



US00D938611S

(12) **United States Design Patent** (10) **Patent No.:** **US D938,611 S**
Thompson, II et al. (45) **Date of Patent:** **** Dec. 14, 2021**

(54) **MICROFLUIDIC CHIP WITHOUT PRESSURE FEATURES**

(71) Applicant: **EMULATE, Inc.**, Boston, MA (US)

(72) Inventors: **Guy Robert Thompson, II**, Watertown, MA (US); **Norman Wen**, West Roxbury, MA (US); **Lewis Rowe**, La Verne, CA (US)

(73) Assignee: **EMULATE, INC.**, Boston, MA (US)

(**) Term: **15 Years**

(21) Appl. No.: **29/735,904**

(22) Filed: **May 26, 2020**

Related U.S. Application Data

(63) Continuation of application No. 29/642,618, filed on Mar. 30, 2018, now Pat. No. Des. 888,270, which is a continuation of application No. 29/576,825, filed on Sep. 7, 2016, now Pat. No. Des. 816,861.

(51) **LOC (13) Cl.** **24-02**

(52) **U.S. Cl.**
USPC **D24/224**

(58) **Field of Classification Search**
USPC D13/180, 182, 184, 199; D24/216, 224, D24/225, 226, 227, 229, 230, 231, 232
CPC B01L 3/5027; B01L 3/502715; B01L 3/502723; B01L 3/50273; B01L 3/502738; B01L 3/502761; B01L 3/502784; C12M 23/16
See application file for complete search history.

(56) **References Cited**

U.S. PATENT DOCUMENTS

6,729,352 B2 * 5/2004 O'Connor B01F 5/0471
137/561 A
7,842,157 B2 * 11/2010 Chang B29C 65/54
156/292

8,828,226 B2 * 9/2014 Shevkoplyas B01L 3/5027
210/321.6
9,651,567 B2 * 5/2017 Galmes Sureda et al.
G01N 33/86
D812,766 S * 3/2018 Levner D24/224
D816,861 S * 5/2018 Levner D24/224
D838,864 S * 1/2019 Levner D24/224
D842,493 S * 3/2019 Levner D24/224
10,656,069 B2 * 5/2020 Masuda G01N 15/1484
D888,270 S * 6/2020 Thompson, II D24/224
D888,273 S * 6/2020 Thompson, II D24/224
10,967,369 B2 * 4/2021 Ku B01L 3/50853
10,969,397 B2 * 4/2021 Galmes Sureda et al.
B01L 3/502
2017/0069555 A1 * 3/2017 Milaninia H01L 23/04
2018/0185844 A1 * 7/2018 Kerns C12M 23/16
2020/0224136 A1 * 7/2020 Kasendra B01L 3/502707
2020/0332240 A1 * 10/2020 Varone C12N 5/069
2020/0384469 A1 * 12/2020 Kvist B01L 3/502784
2021/0016280 A1 * 1/2021 Flesher B01L 3/502715
2021/0018424 A1 * 1/2021 Kajihara B01L 3/502715
2021/0024866 A1 * 1/2021 Hinojosa F04B 19/006

* cited by examiner

Primary Examiner — Selina Sikder

(74) *Attorney, Agent, or Firm* — Medlen & Carroll, LLP

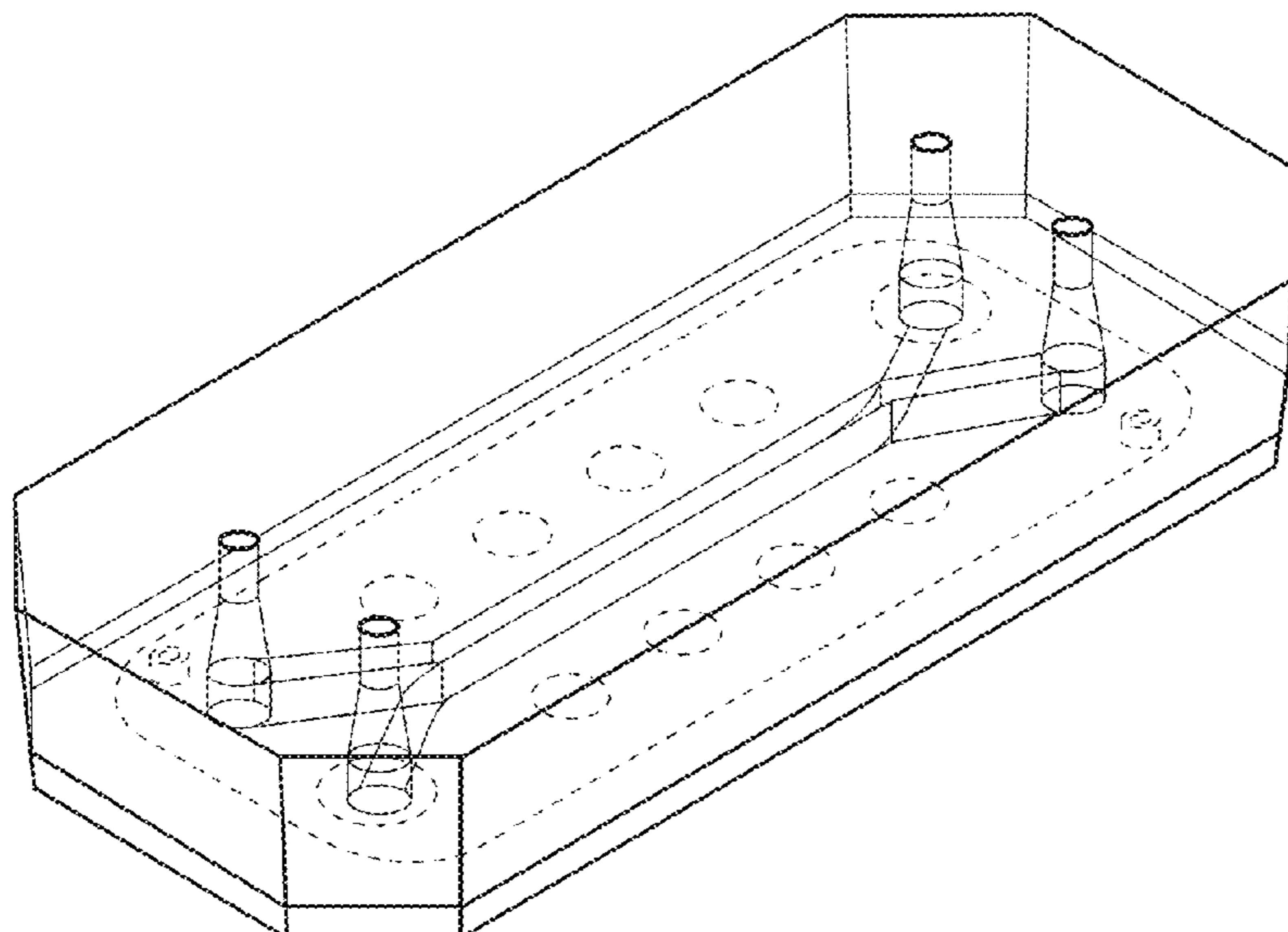
(57) **CLAIM**

The ornamental design for a microfluidic chip without pressure features, as shown and described.

DESCRIPTION

FIG. 1 is a top plan of the microfluidic chip without pressure features; and,
FIG. 2, is a top perspective view, thereof.
The broken lines indicate features that do not form part of the claimed design.

1 Claim, 2 Drawing Sheets



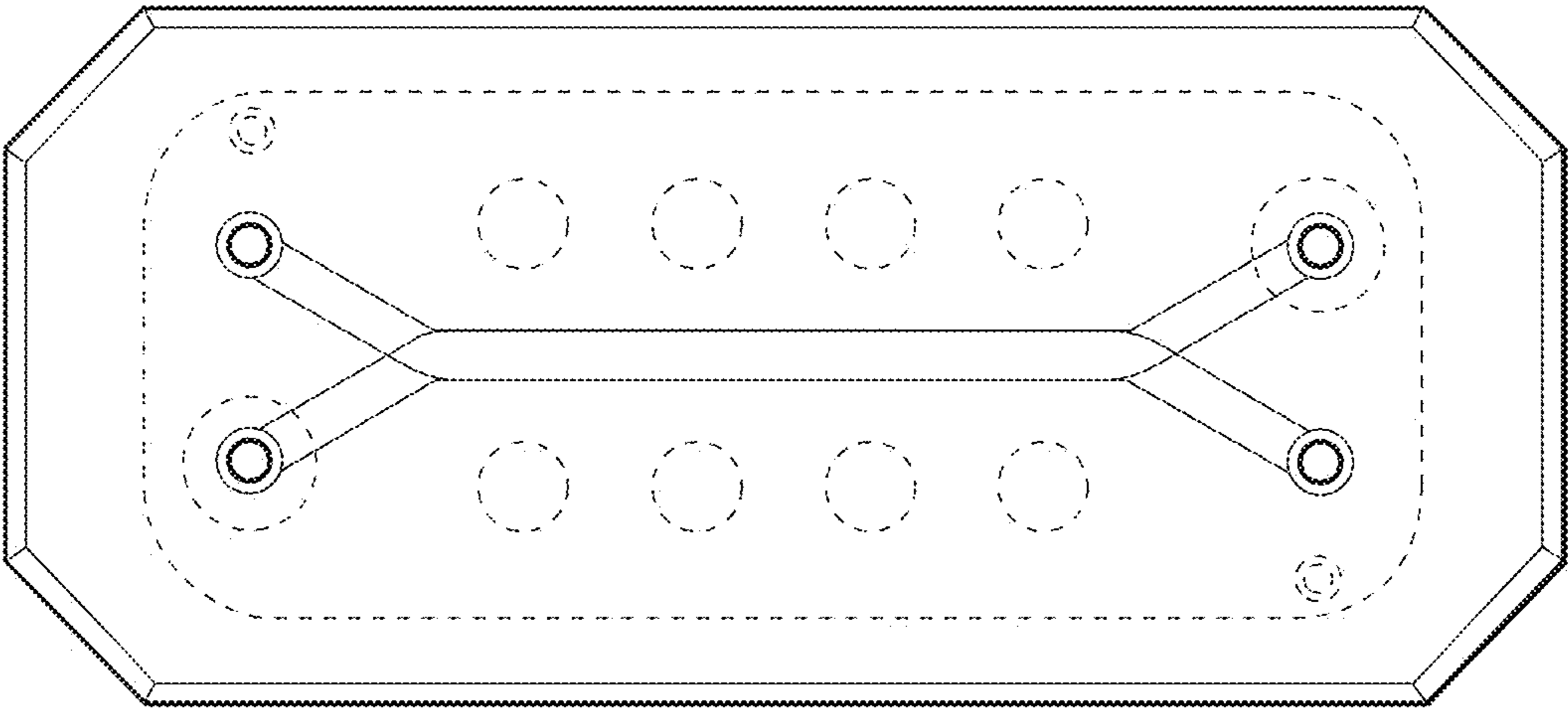


FIG. 1

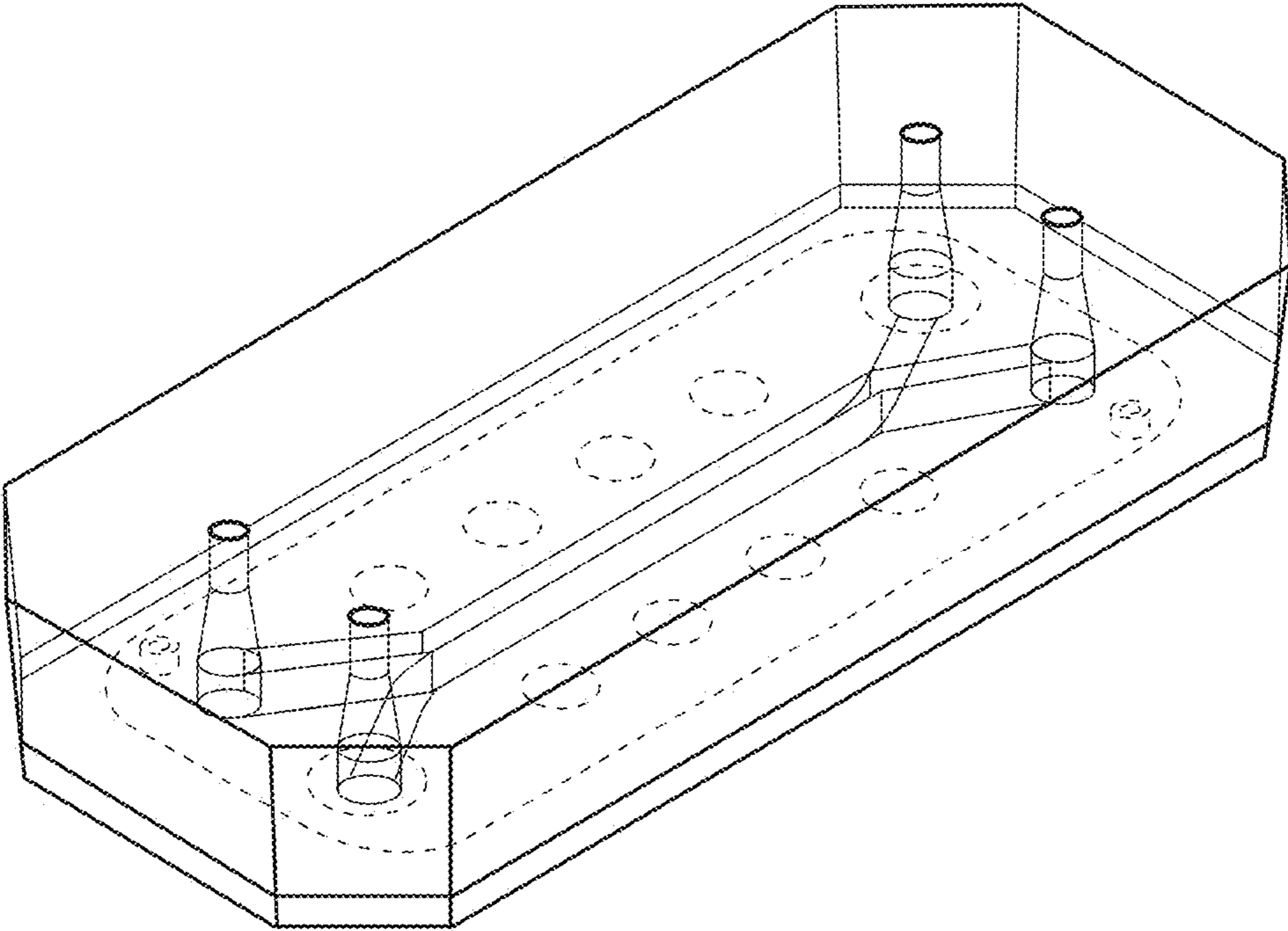


FIG. 2