



US00D938609S

(12) **United States Design Patent** (10) **Patent No.:** **US D938,609 S**
Kim (45) **Date of Patent:** **** Dec. 14, 2021**

(54) **TOOTHBRUSH SANITIZER**
(71) Applicant: **MYUNGSUNG INC.**, Daegu-si (KR)
(72) Inventor: **Myeong Yong Kim**, Daegu (KR)
(**) Term: **15 Years**
(21) Appl. No.: **29/734,025**
(22) Filed: **May 8, 2020**

D765,263 S * 8/2016 Nelson D24/217
D807,483 S 1/2018 Combs et al.
D881,406 S * 4/2020 Kim D24/217
D888,268 S * 6/2020 Oh D24/217

FOREIGN PATENT DOCUMENTS

KR 30-0837832 2/2016
KR 30-0903662 4/2017

OTHER PUBLICATIONS

English Abstract of 30-0837832.
English Abstract of 30-0903662.

* cited by examiner

Primary Examiner — Anhdao Doan
(74) *Attorney, Agent, or Firm* — Antonio Ha & U.S. Patent, LLC

(30) **Foreign Application Priority Data**

Nov. 11, 2019 (KR) 30-2019-0053688

(51) **LOC (13) Cl.** **24-01**

(52) **U.S. Cl.**
USPC **D24/217**

(58) **Field of Classification Search**
USPC D24/107, 216, 217, 218, 231, 232, 234;
D32/1; D6/528, 534
CPC ... A61L 2/025; A61L 2/07; A61L 2/10; A61L
2/18; A61L 2/24; A61L 2/26; A61L
2202/10; A61L 2202/11; A61L 2202/14;
A61L 2202/23; A61L 2202/24; A61L
2202/122; A61L 2202/182
See application file for complete search history.

(57) **CLAIM**

The ornamental design for a toothbrush sanitizer, as shown and described.

DESCRIPTION

FIG. 1 is a top, front and left side perspective view of a toothbrush sanitizer;
FIG. 2 is a front elevational view thereof;
FIG. 3 is a back elevational view thereof;
FIG. 4 is a left side elevational view thereof;
FIG. 5 is a right side elevational view thereof;
FIG. 6 is a top plan view thereof; and,
FIG. 7 is a bottom plan view thereof.
The broken lines depict portions of the toothbrush sanitizer that form no part of the claimed design.

(56) **References Cited**

U.S. PATENT DOCUMENTS

D556,337 S * 11/2007 Davis D24/217
D584,417 S * 1/2009 Masee D24/217
D598,123 S * 8/2009 Steinhobel D24/217
8,906,297 B1 * 12/2014 Ament A61L 2/07
422/26
D750,895 S * 3/2016 Jay D24/217

1 Claim, 7 Drawing Sheets

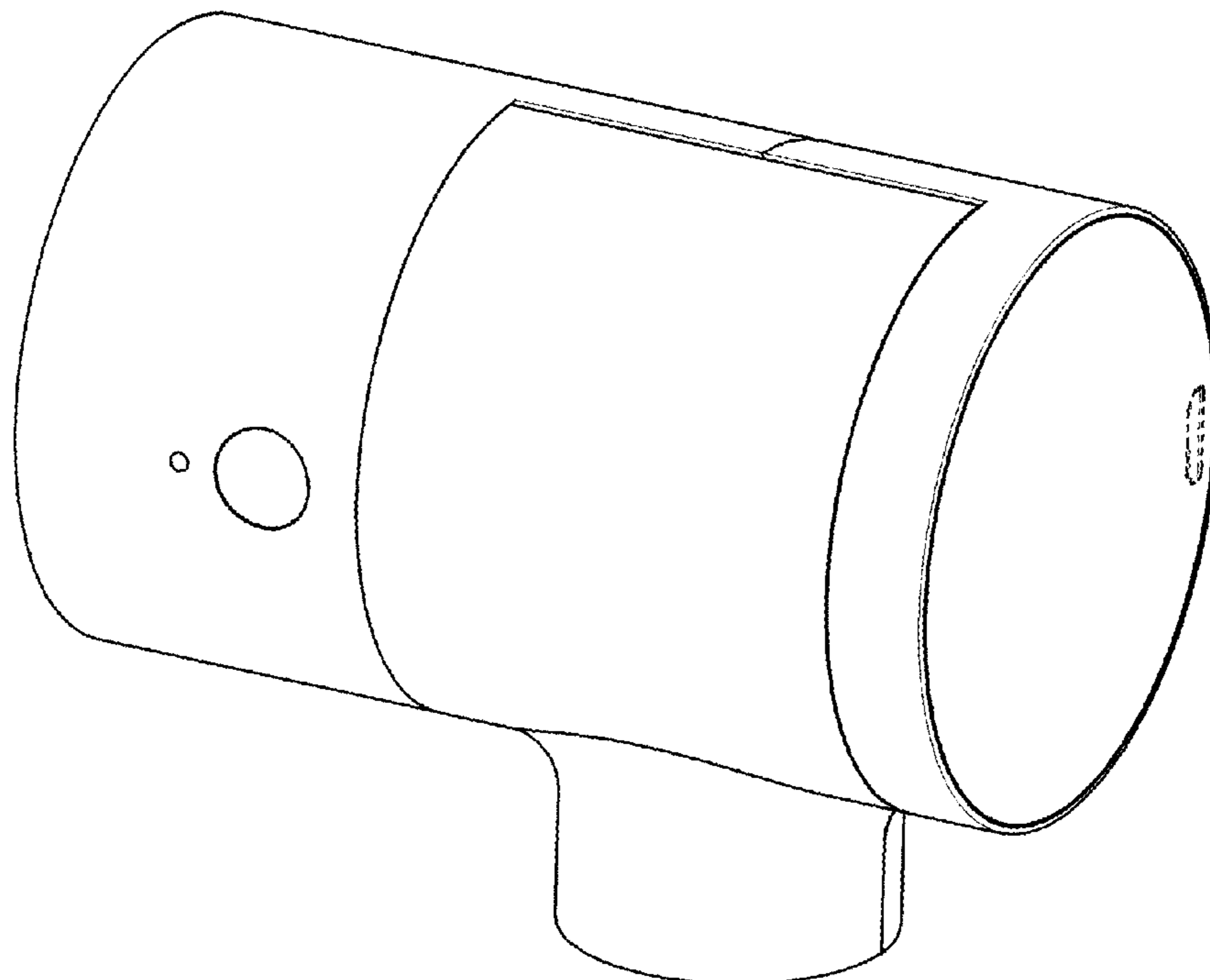


Fig. 1

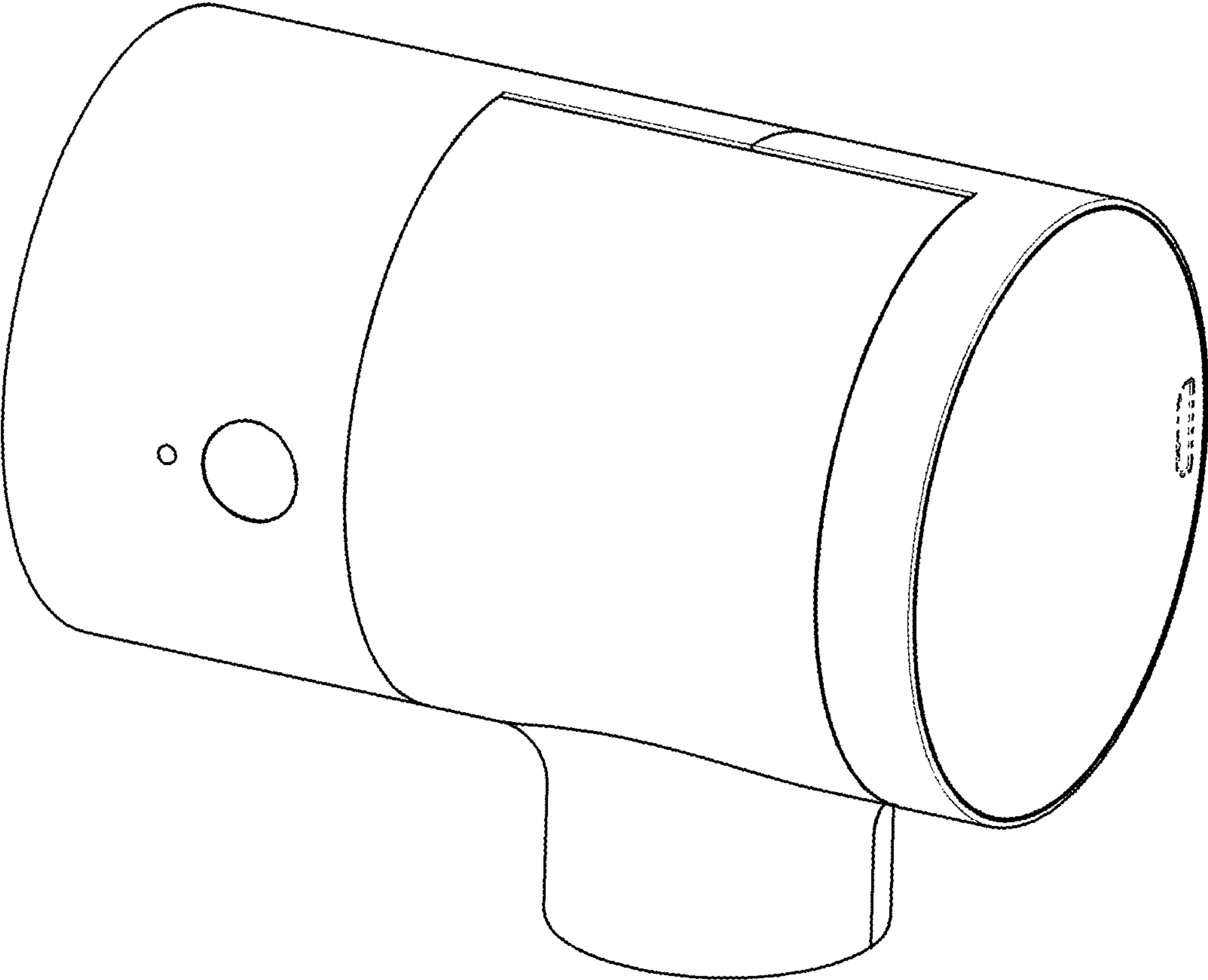


Fig. 2

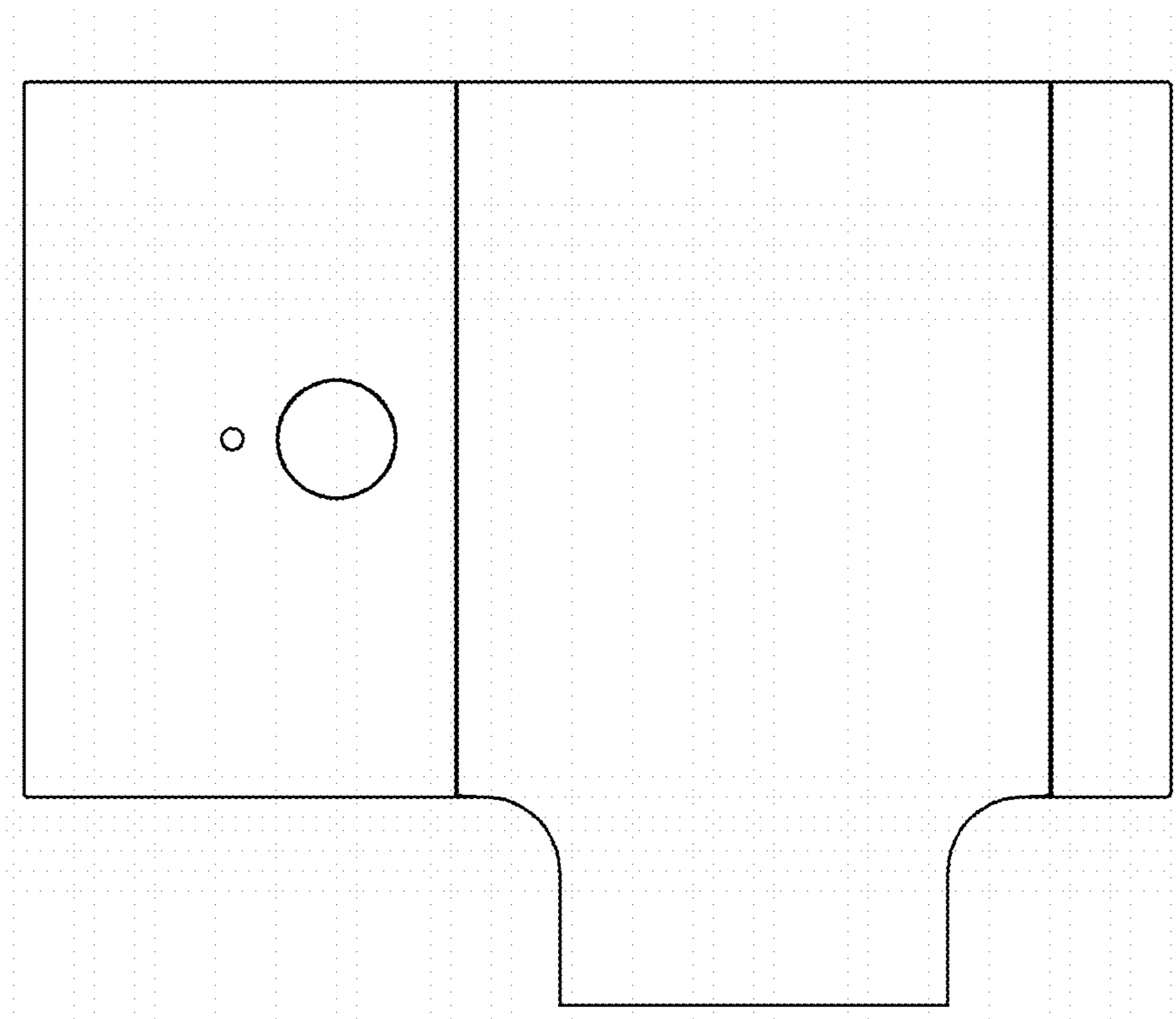


Fig. 3

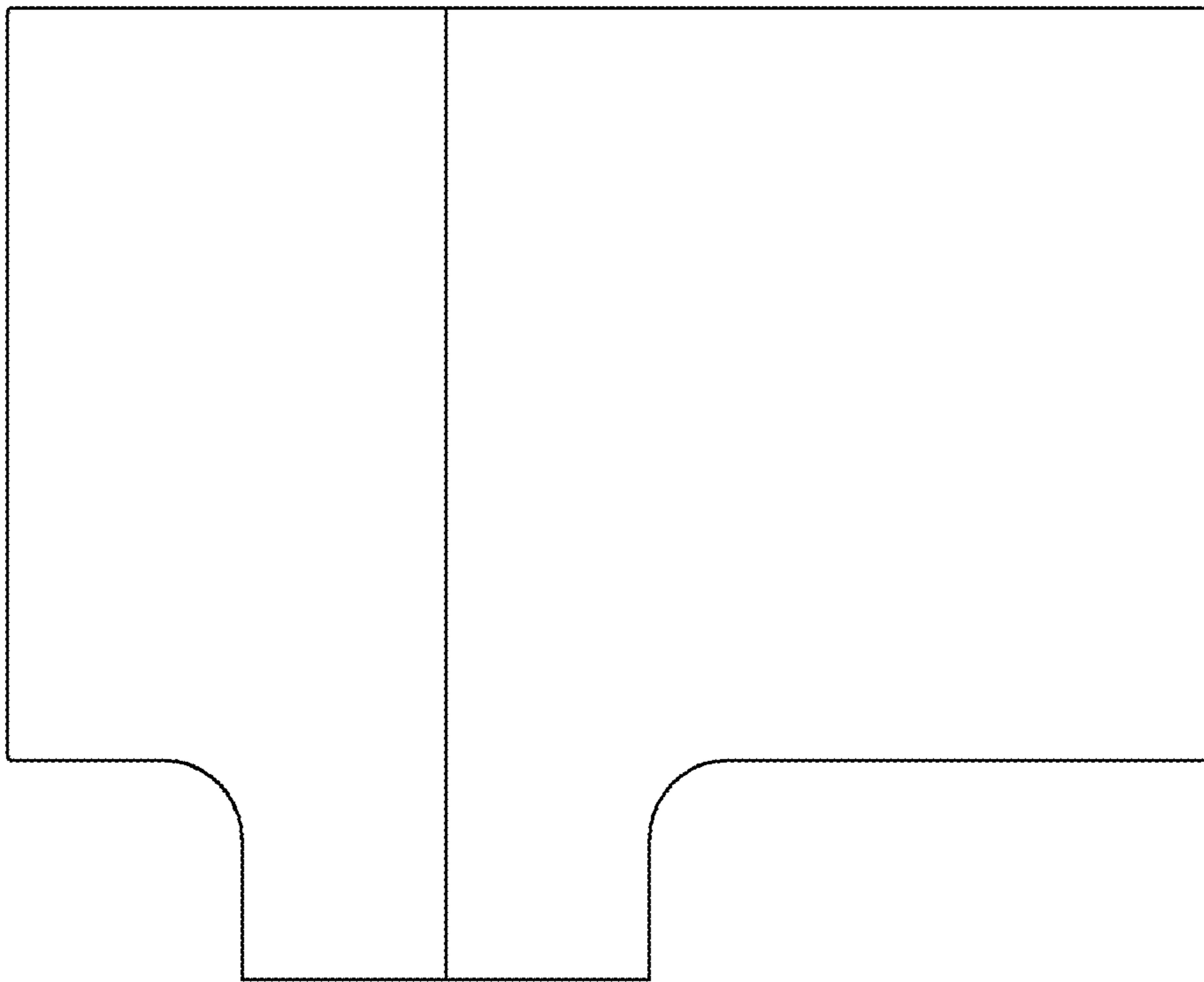


Fig. 4

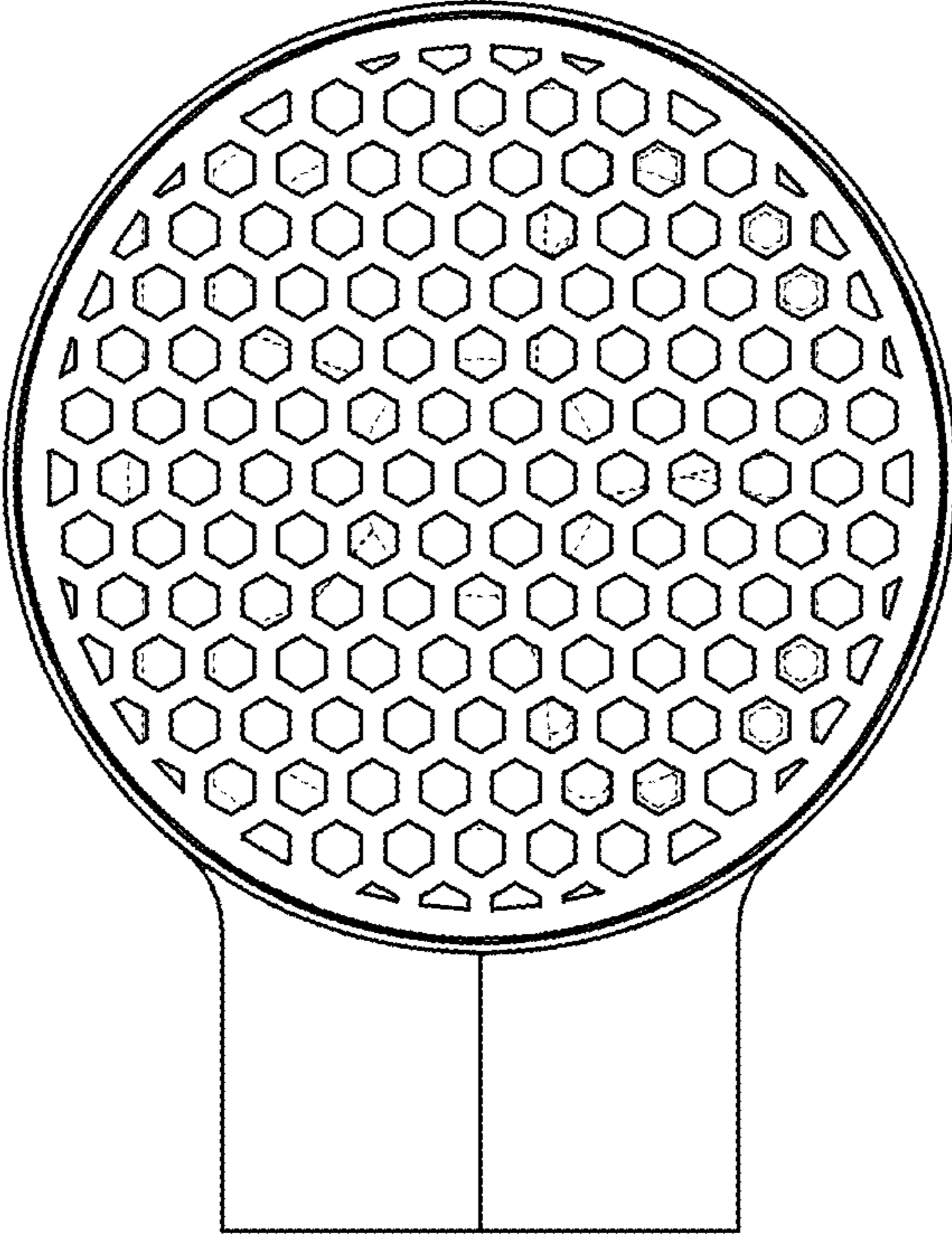


Fig. 5

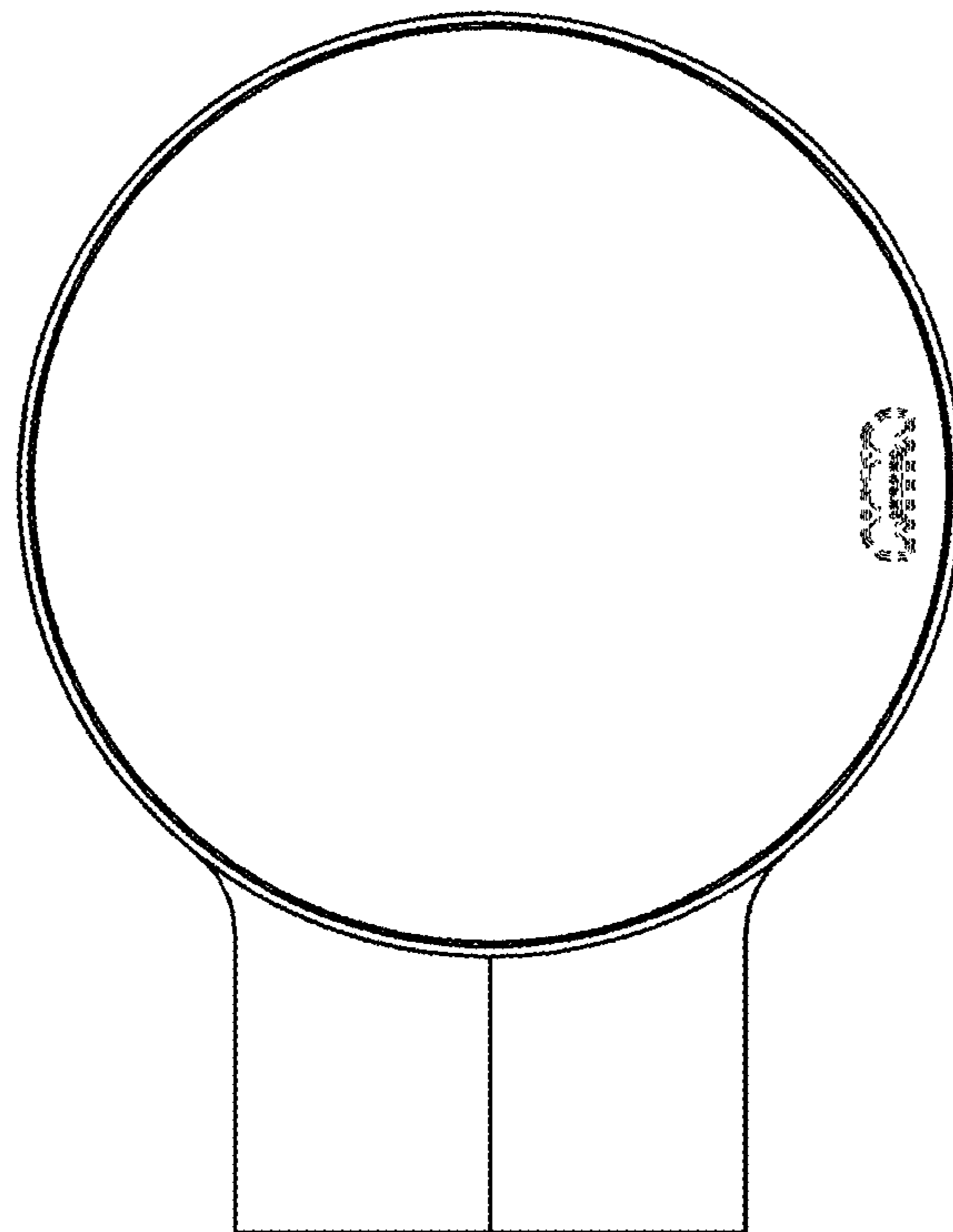


Fig. 6

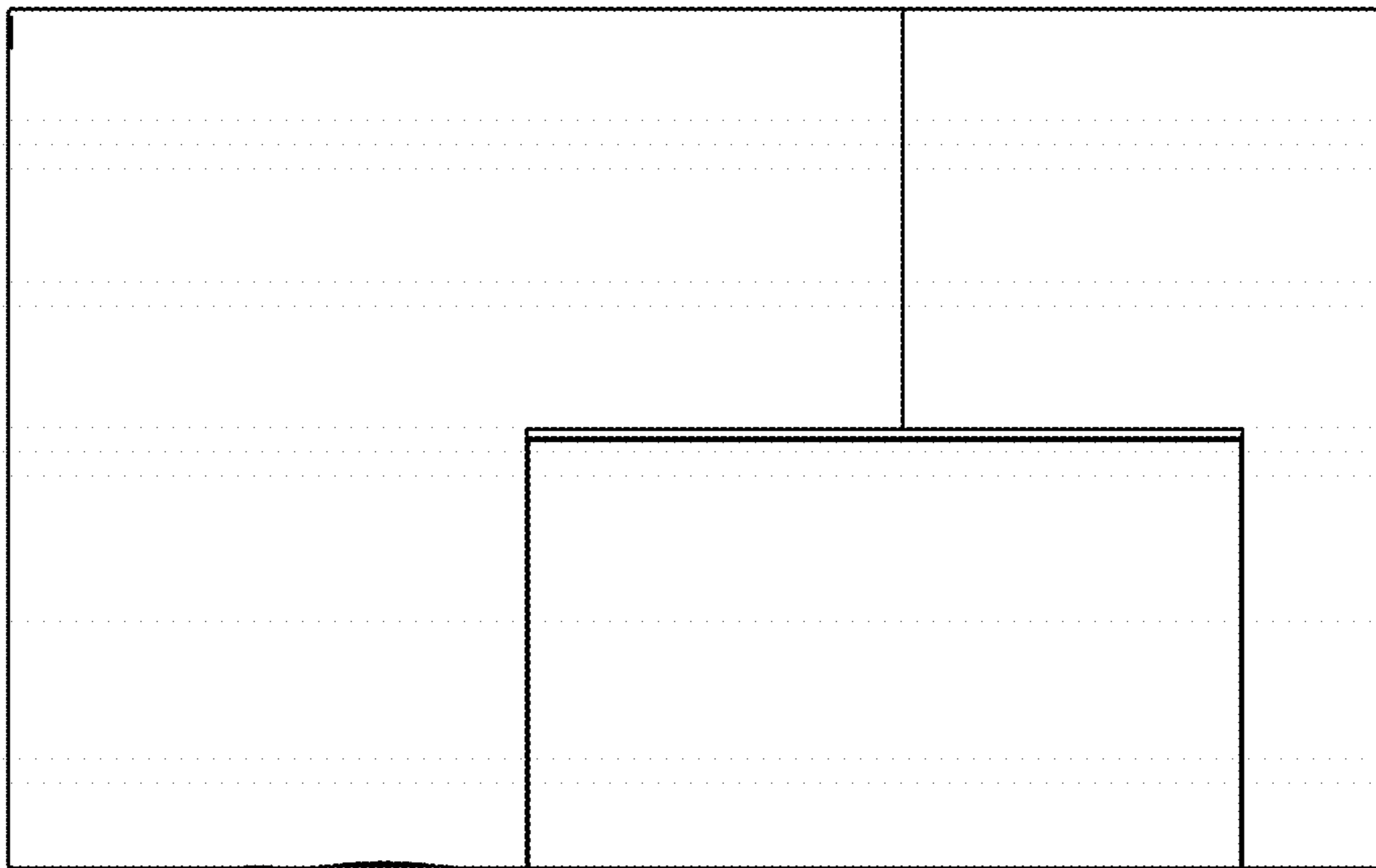


Fig. 7

