



US00D938605S

(12) **United States Design Patent** (10) **Patent No.:** **US D938,605 S**
Cole (45) **Date of Patent:** **** Dec. 14, 2021**

(54) **MESSAGE ROLLER ASSEMBLY**
(71) Applicant: **Elite Relief, LLC**, San Francisco, CA (US)
(72) Inventor: **Nicholas Cole**, San Francisco, CA (US)
(73) Assignee: **ELITE RELIEF, LLC**, San Francisco, CA (US)
(**) Term: **15 Years**

D299,862 S * 2/1989 Norrid D24/211
D308,098 S * 5/1990 Lievonen D24/211
D352,555 S * 11/1994 Hsieh D24/200
D364,687 S * 11/1995 Yim D24/211
5,674,185 A 10/1997 Chang
D393,720 S * 4/1998 Chien D24/212
(Continued)

(21) Appl. No.: **29/688,112**
(22) Filed: **Apr. 18, 2019**
(51) **LOC (13) Cl.** **28-03**
(52) **U.S. Cl.**
USPC **D24/215**
(58) **Field of Classification Search**
USPC D24/200, 211, 212, 213, 214, 215
CPC A61H 2201/0153; A61H 7/001; A61H
2015/0035; A61H 2015/0042
See application file for complete search history.

FOREIGN PATENT DOCUMENTS

EP 2174632 A1 4/2010
GB 2288121 A 10/1995
WO 2009141670 A1 11/2009

OTHER PUBLICATIONS

Foundermade, "Elite Relief Recovery Roller", Feb. 2, 2021. <https://shop.foundermade.com/products/elite-relief-recovery-roller>. Shown on p. 1. (Year: 2021).*

(Continued)

Primary Examiner — Cynthia Ramirez
Assistant Examiner — Michael A Maharajh
(74) *Attorney, Agent, or Firm* — Vedder Price P.C.

(56) **References Cited**

U.S. PATENT DOCUMENTS

D101,862 S * 11/1936 Fehn et al. D24/212
D127,686 S * 6/1941 Milton D24/212
2,572,627 A 10/1951 Kelly
2,939,455 A 6/1960 Arnold
3,415,514 A * 12/1968 Weihs A61H 15/00
482/79
3,756,224 A * 9/1973 Laymon A61H 15/0092
601/125
3,970,078 A 7/1976 Rogers, Jr.
D242,826 S * 12/1976 Posh D24/212
D243,557 S * 3/1977 Kientz D24/212
D253,967 S * 1/1980 Miyadai D21/685
D254,869 S * 4/1980 Osburn D24/212
D287,405 S * 12/1986 Nakao D24/211
4,648,387 A 3/1987 Simmons
4,782,823 A * 11/1988 Yamasaki A61H 15/0078
601/127

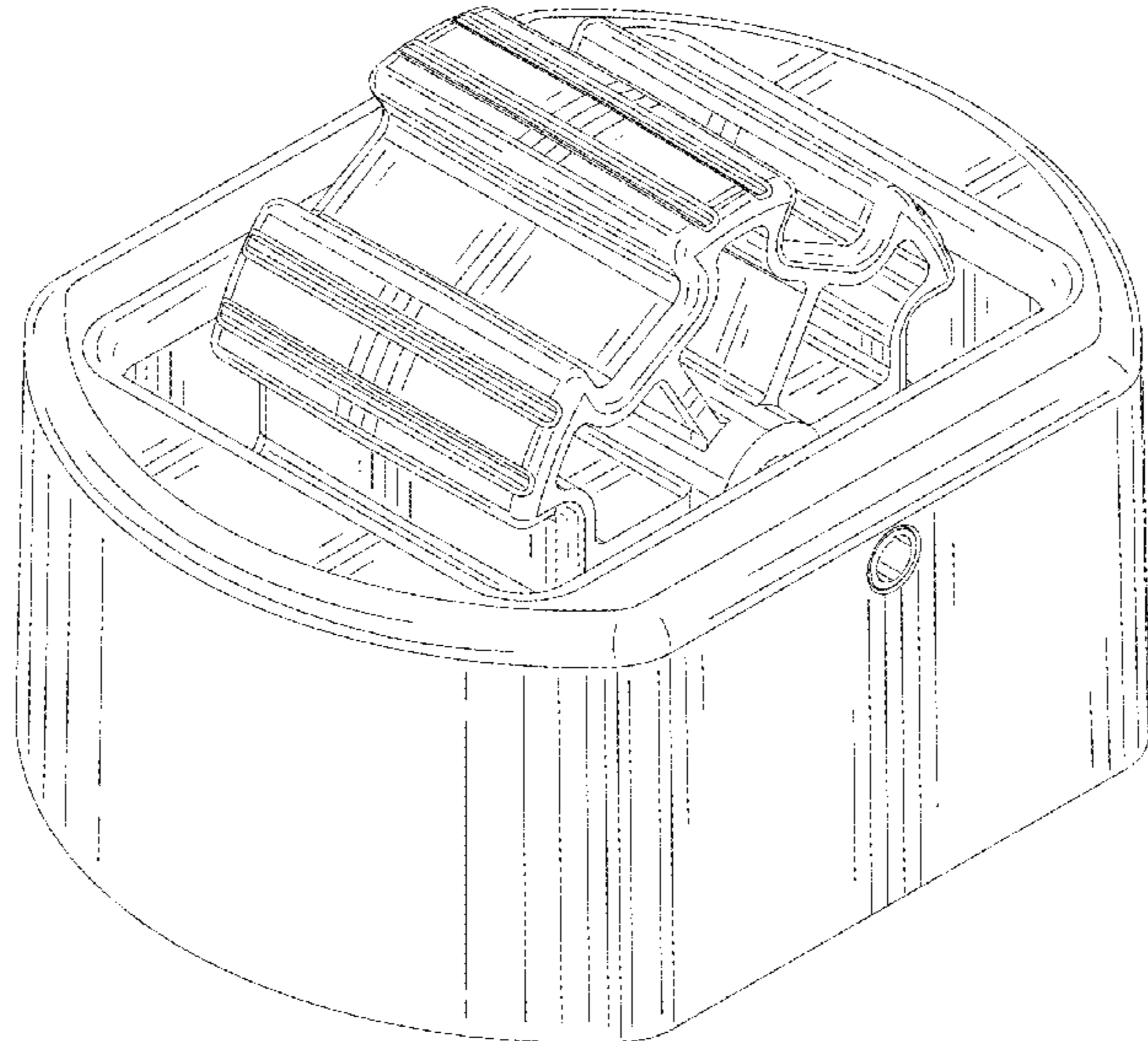
(57) **CLAIM**

The ornamental design for a massage roller assembly, as shown and described.

DESCRIPTION

FIG. 1 is a top perspective view of a massage roller assembly showing my new design;
FIG. 2 is a bottom perspective view thereof;
FIG. 3 is a right elevational view thereof;
FIG. 4 is a top plan view thereof;
FIG. 5 is a bottom plan view thereof; and,
FIG. 6 is a front elevational view thereof.
The broken lines in the drawings are for the purpose of illustrating portions of the massage roller assembly which form no part of the claimed design.

1 Claim, 6 Drawing Sheets



(56)

References Cited

U.S. PATENT DOCUMENTS

D395,137 S * 6/1998 Summers D24/211
 D396,111 S * 7/1998 Chien D24/211
 D396,295 S * 7/1998 Summers D24/211
 D396,297 S * 7/1998 Breznik D24/211
 D399,570 S * 10/1998 Chen D24/212
 D414,874 S * 10/1999 Edens D24/212
 D447,806 S * 9/2001 Davey D24/200
 D478,997 S * 8/2003 Viner D24/212
 D479,334 S * 9/2003 Chou D24/212
 D491,271 S * 6/2004 Siegfried D24/211
 D491,671 S * 6/2004 Kim D24/211
 6,966,883 B2 11/2005 Pidcock
 D545,975 S * 7/2007 Bell D24/211
 D605,302 S * 12/2009 Tsang D24/212
 7,634,314 B2 12/2009 Applebaum et al.
 D639,974 S * 6/2011 Kurosu D24/211
 D688,380 S * 8/2013 Nelson D24/211
 9,039,640 B2 5/2015 Crowell et al.
 9,132,055 B1 9/2015 Wallace
 9,486,387 B2 11/2016 Crowell et al.
 D830,569 S * 10/2018 Solomon D24/215
 D871,599 S * 12/2019 Razumovskyi D24/211
 D872,868 S * 1/2020 Razumovskyi D24/211
 D891,631 S * 7/2020 Liu D24/211
 2004/0030274 A1 * 2/2004 Wu A61H 15/0078
 601/115
 2006/0111653 A1 * 5/2006 Nishio A61H 7/001
 601/84
 2006/0167388 A1 * 7/2006 Chen A61H 15/00
 601/15

2007/0179415 A1 * 8/2007 Evans A61H 15/0078
 601/126
 2008/0154162 A1 * 6/2008 Thiebaut A61H 15/02
 601/125
 2011/0313333 A1 12/2011 Nicholson
 2012/0259257 A1 10/2012 Nelson
 2013/0090582 A1 4/2013 Bertram et al.
 2014/0228722 A1 * 8/2014 Nelson A61H 15/0092
 601/125
 2015/0045707 A1 2/2015 Selvaggio
 2015/0133271 A1 5/2015 Jones
 2015/0150751 A1 6/2015 Fitzmaurice
 2015/0257969 A1 * 9/2015 Shannon A61H 15/00
 601/121
 2016/0008213 A1 1/2016 Cheng
 2016/0074274 A1 3/2016 Mallory
 2017/0156969 A1 * 6/2017 Fitzsimmons A61H 15/00
 2017/0273859 A1 * 9/2017 Slocum A61H 15/00
 2018/0098904 A1 * 4/2018 Chen A61H 15/0092
 2018/0353371 A1 * 12/2018 Shikahama A63B 23/03
 2019/0099323 A1 * 4/2019 Nelson A61H 15/0092
 2019/0231636 A1 * 8/2019 Olschansky A61H 15/0092
 2020/0206071 A1 * 7/2020 Wu A61H 15/0078

OTHER PUBLICATIONS

Eliterelief, "The Elite Relief Roller", Feb. 2, 2021. <https://eliterelief.co/product/>. Shown on p. 1. (Year: 2021).*
 Sidelineswap, "Elite Relief Recovery Roller_", Feb. 2, 2021. <https://sidelineswap.com/gear/baseball/accessories-other/other/2668771-elite-relief-recovery-roller>. Shown on p. 1. (Year: 2021).*

* cited by examiner

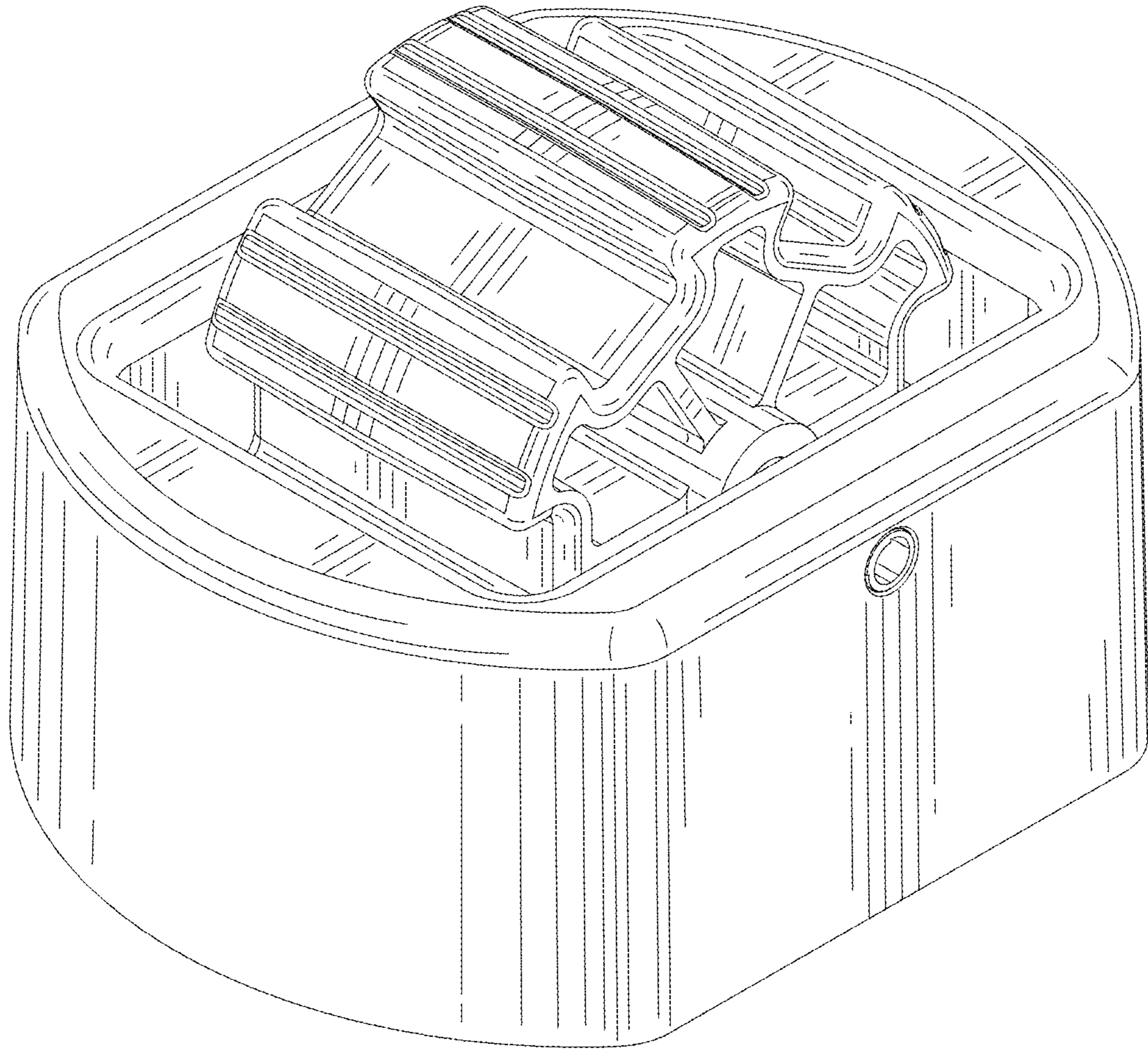


FIG. 1

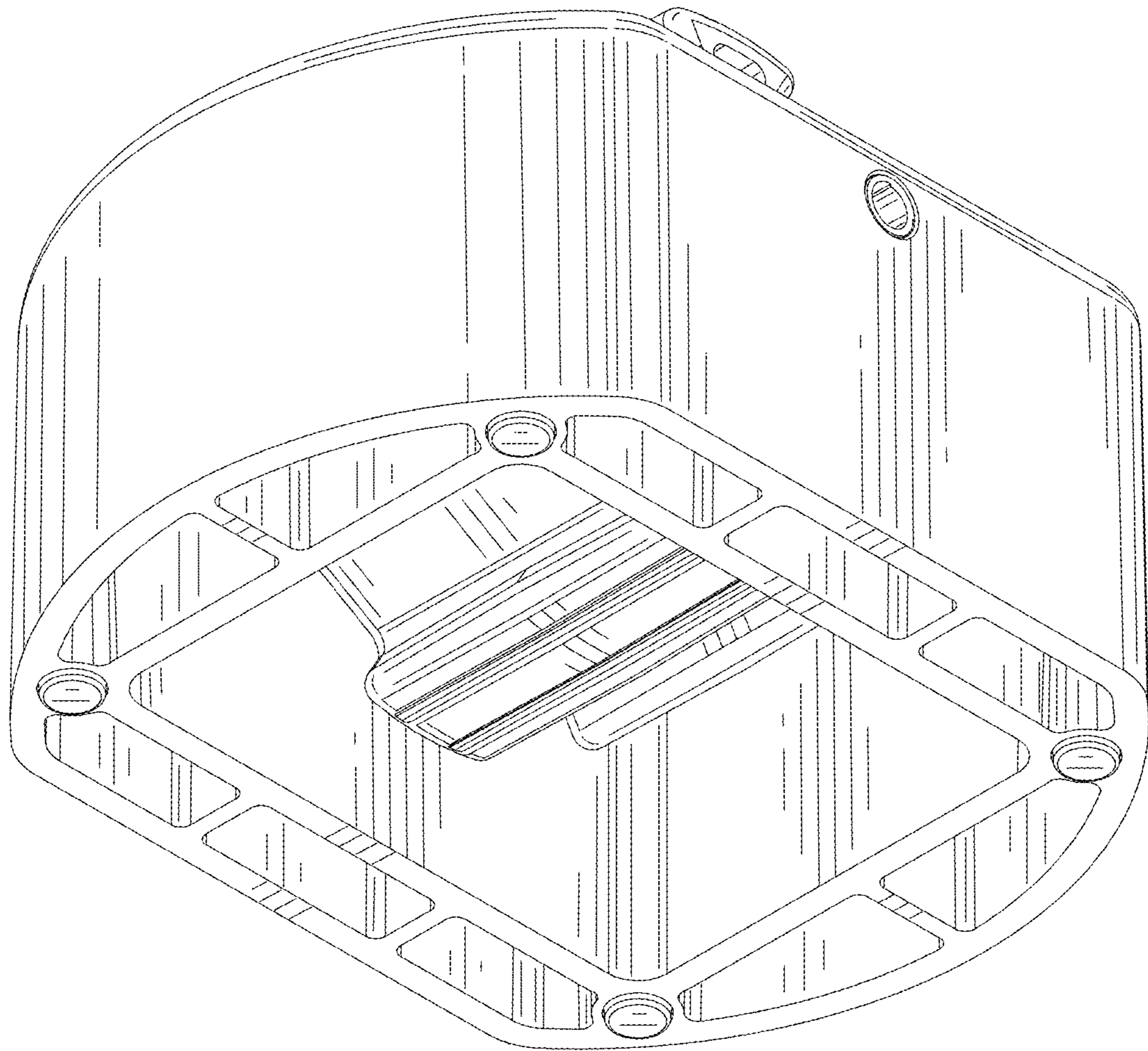


FIG. 2

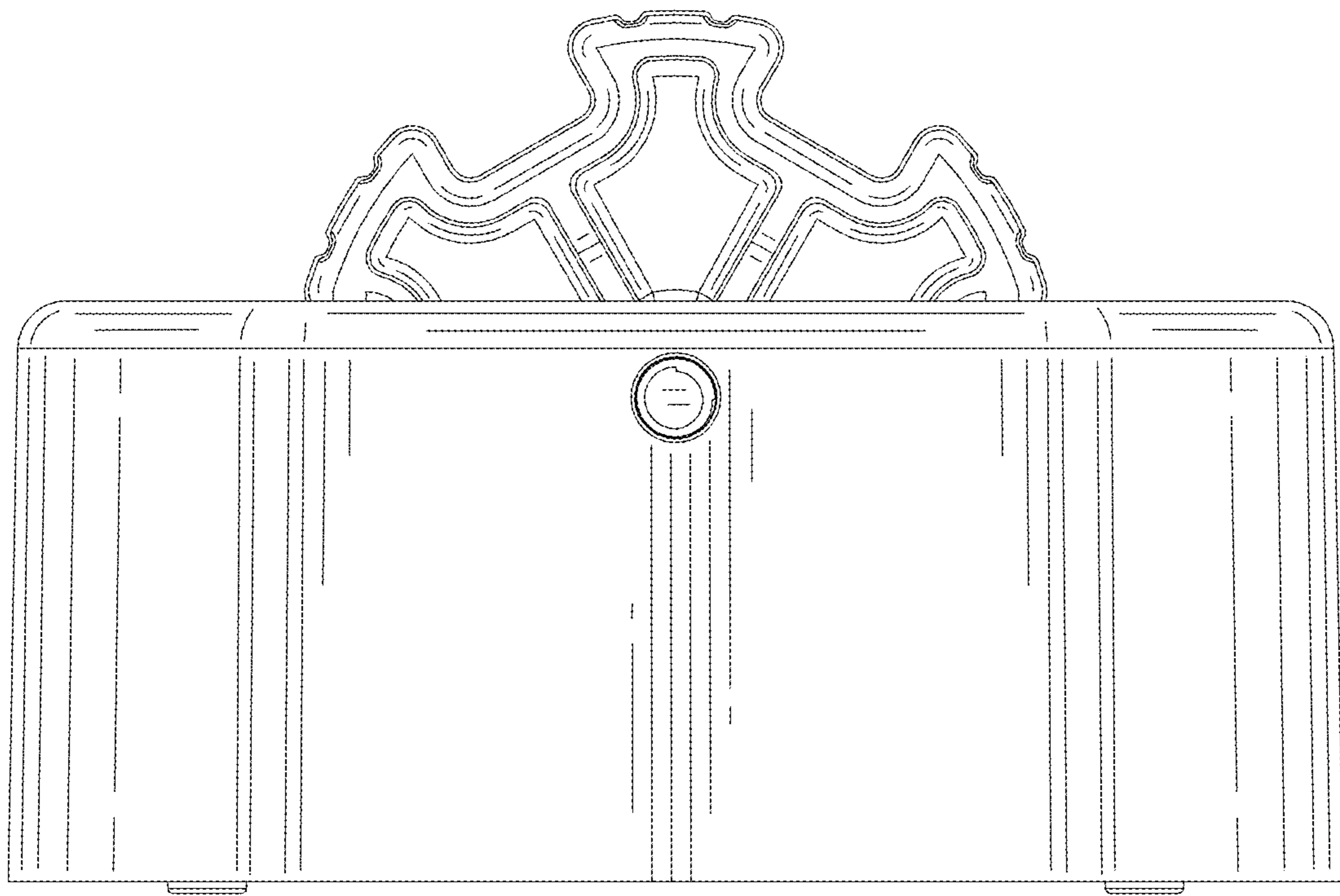


FIG. 3

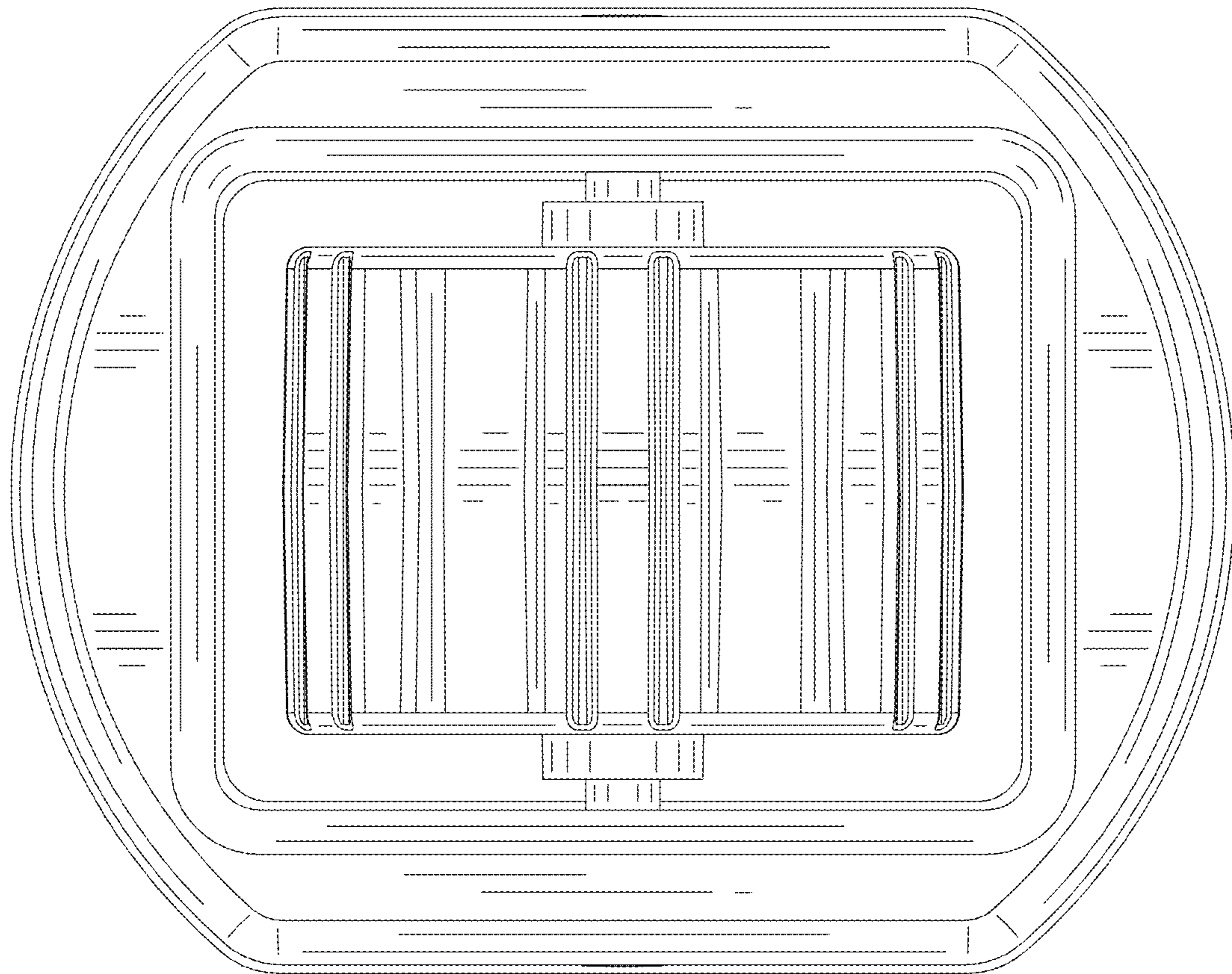


FIG. 4

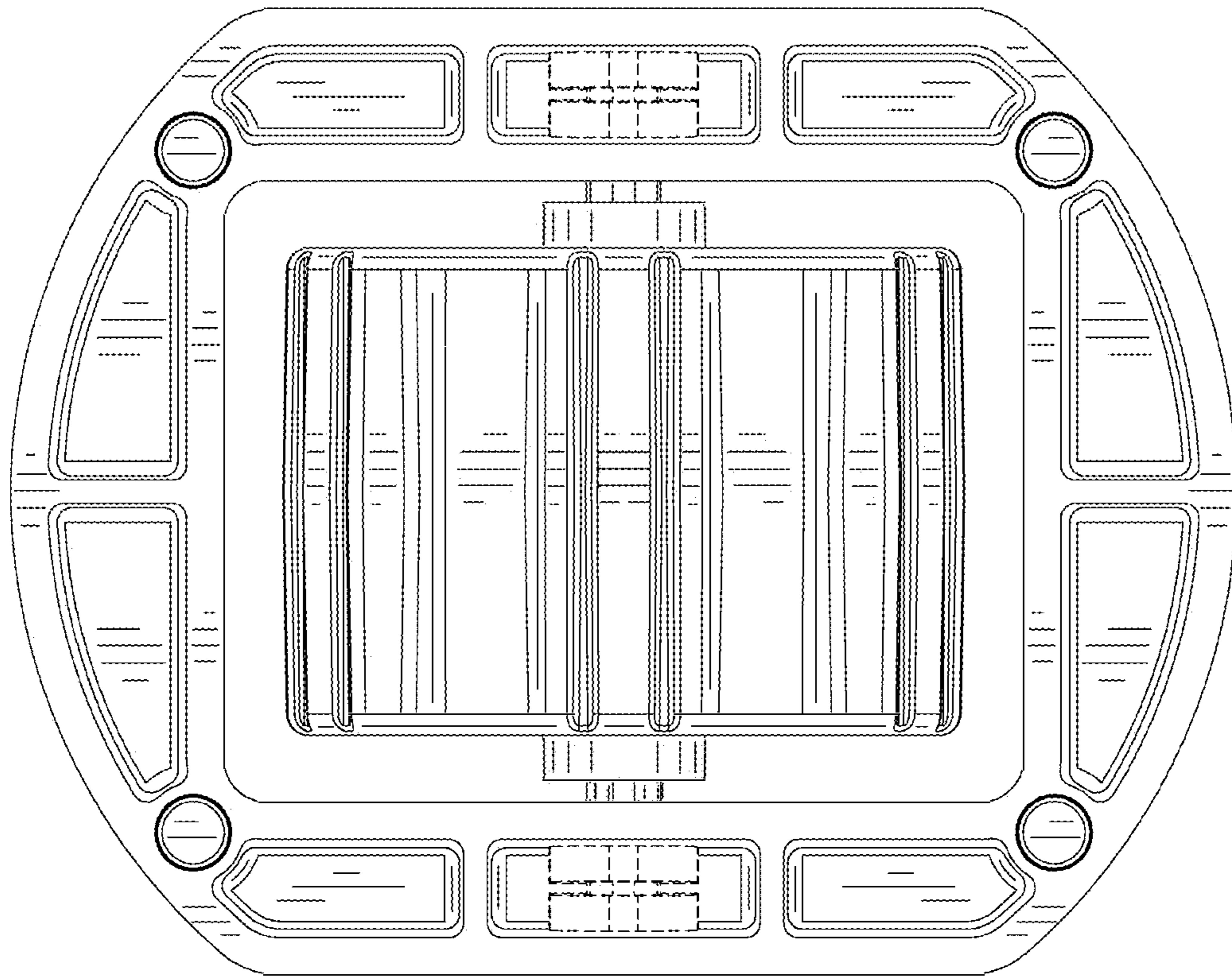


FIG. 5

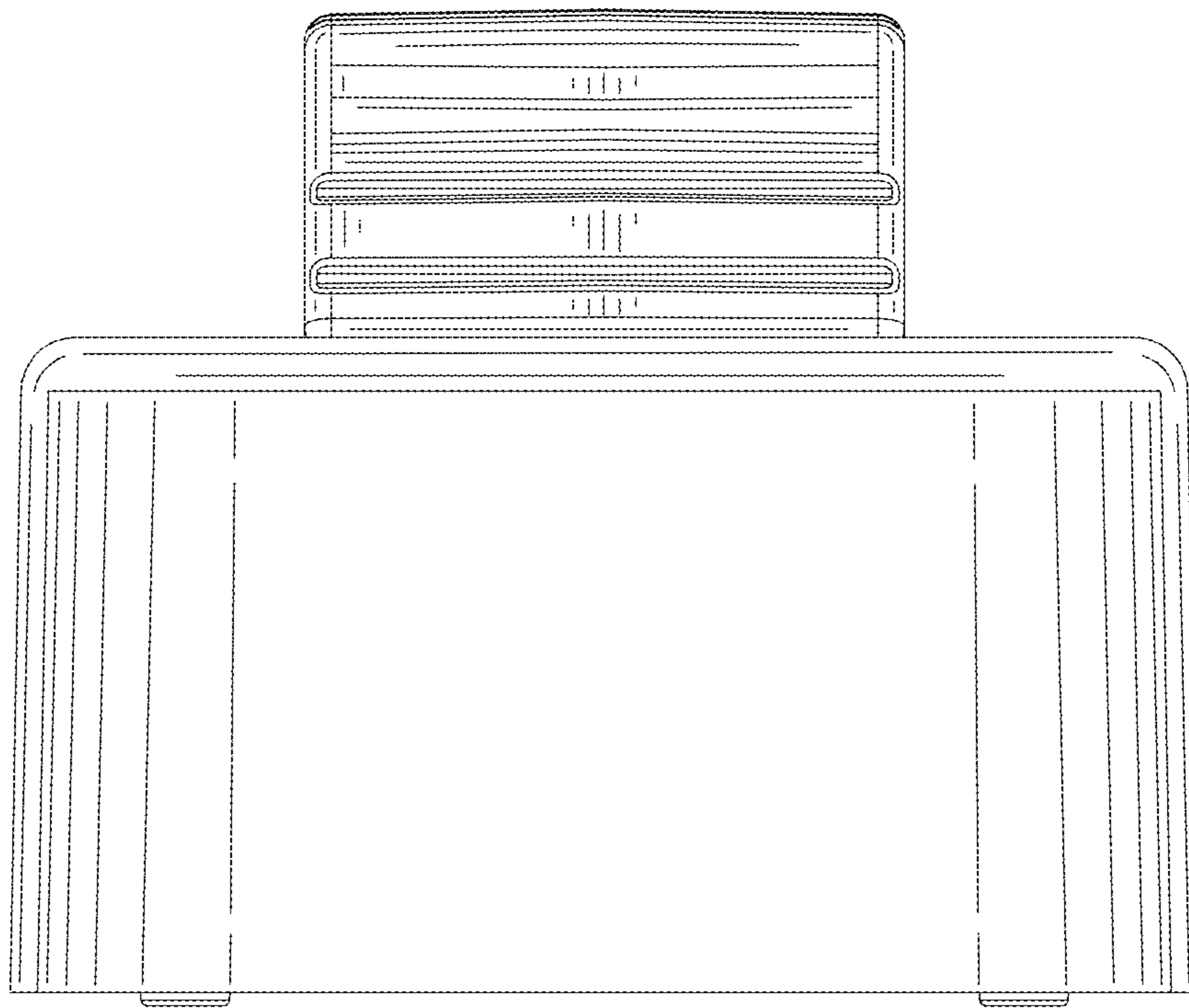


FIG. 6