



US00D938602S

(12) **United States Design Patent**
Liu

(10) **Patent No.:** **US D938,602 S**

(45) **Date of Patent:** **** Dec. 14, 2021**

(54) **PARAFFIN WAX WARMER**

(71) Applicant: **Guangzhou Fourto Sanitary Products Co., LTD**, Guangdong (CN)

(72) Inventor: **Ziyi Liu**, Guangdong (CN)

(73) Assignee: **Guangzhou Fourto Sanitary Products Co., LTD**, Guangzhou (CN)

(**) Term: **15 Years**

(21) Appl. No.: **29/743,770**

(22) Filed: **Jul. 24, 2020**

(51) **LOC (13) Cl.** **28-03**

(52) **U.S. Cl.**
USPC **D24/200**

(58) **Field of Classification Search**
USPC D24/200, 121, 204; D7/323, 354, 391,
D7/538, 629; D9/435, 503, 424, 428,
D9/780

CPC A61F 7/00; A61F 7/007; A61F 7/0085;
A61F 2007/0001; A61F 2007/0003; A61F
2007/0004; A61F 2007/0024; A61F
2007/0029; A61F 2007/0031; A61F
2007/0034; A61F 2007/0039; A61F
2007/0041; A61F 2007/0043; A61F
2007/0219; A47J 36/06; A61L 9/03;
A61L 9/12; F27B 14/12; H05B 3/00;
H05B 3/0052; H05B 3/26; A61H 33/04;
A61H 2033/047

See application file for complete search history.

(56) **References Cited**

U.S. PATENT DOCUMENTS

D440,662 S * 4/2001 Ferber D24/200
D441,455 S * 5/2001 Feer D24/200

D442,284 S * 5/2001 Ferber D24/200
D478,384 S * 8/2003 Lie D24/200
7,771,665 B2 * 8/2010 Pohl A61L 9/03
422/125
D838,859 S 1/2019 Yu
10,207,018 B2 * 2/2019 Gasper A61L 9/012
10,363,333 B2 * 7/2019 Belongia A61L 9/03
D857,215 S * 8/2019 Lin D24/200
10,524,311 B2 * 12/2019 Belongia A61L 9/03
D909,592 S * 2/2021 Li D24/200
D917,710 S * 4/2021 Li D24/200

* cited by examiner

Primary Examiner — Wan Laymon

(57) **CLAIM**

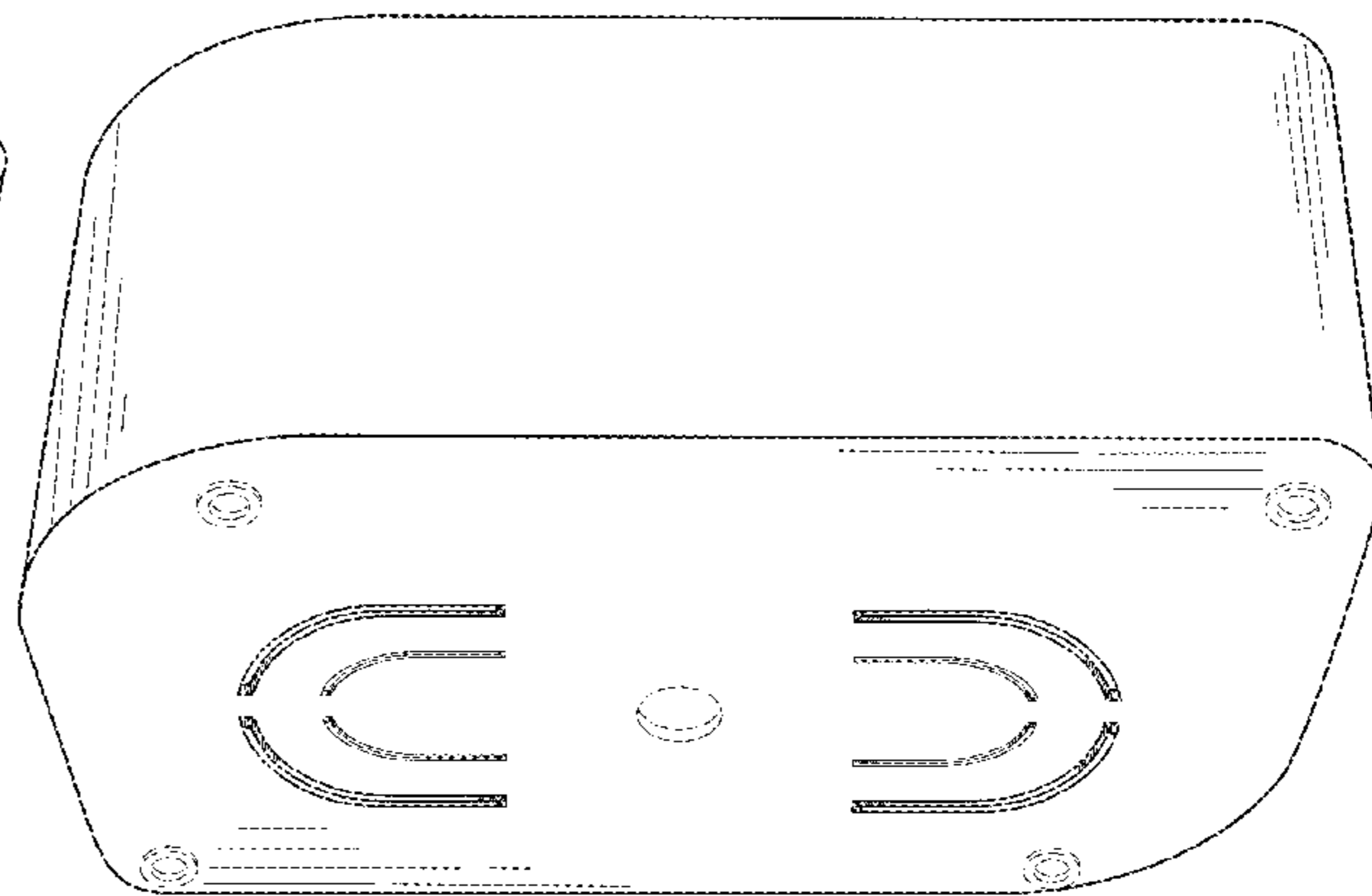
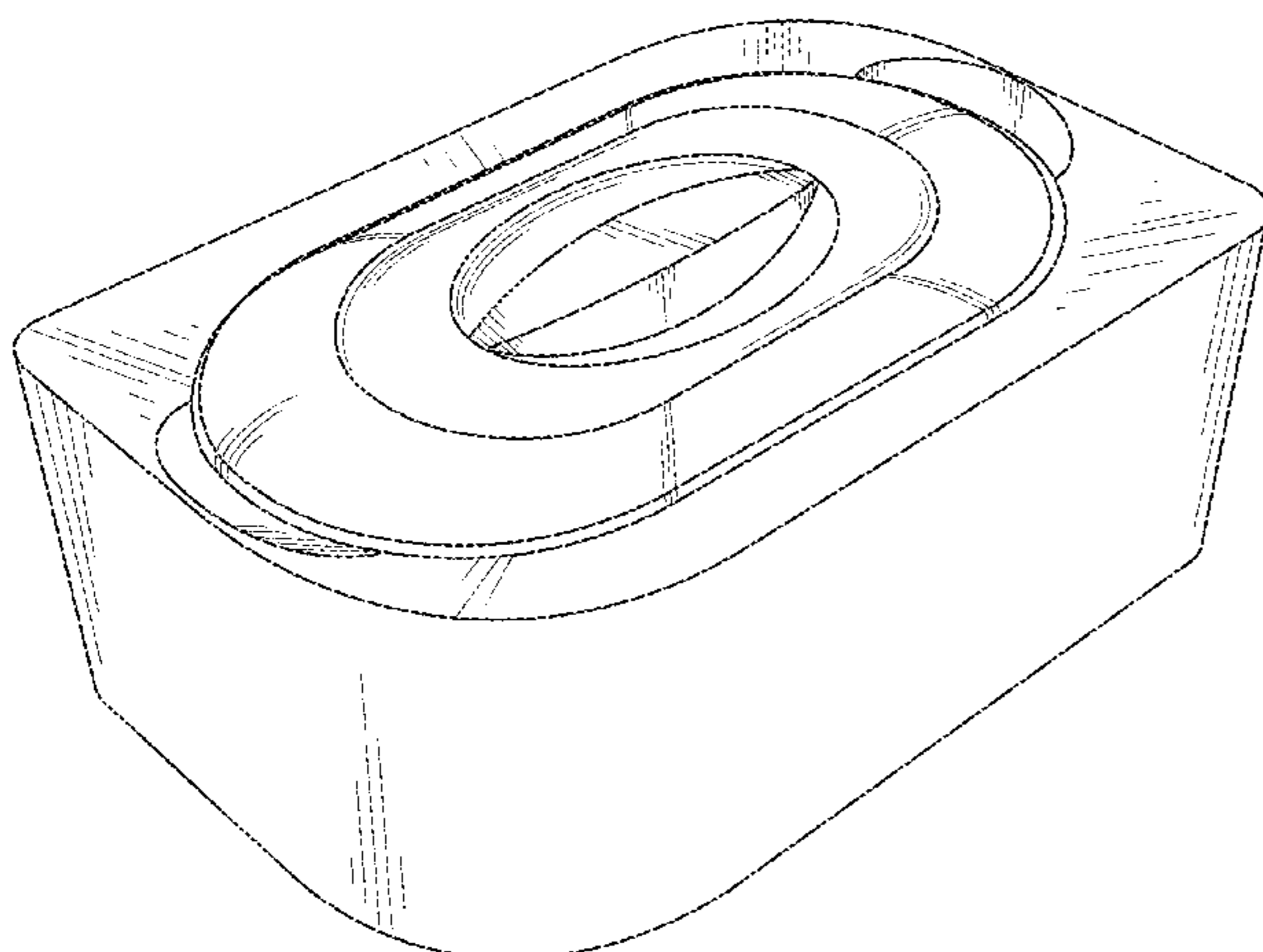
The ornamental design for a paraffin wax warmer, as shown and described.

DESCRIPTION

FIG. 1 is a front, top and left side perspective view of a paraffin wax warmer showing my new design;
FIG. 2 is a front and bottom perspective view thereof;
FIG. 3 is a top plan view thereof;
FIG. 4 is a bottom plan view thereof;
FIG. 5 is a front elevational view thereof;
FIG. 6 is a rear elevational view thereof;
FIG. 7 is a right side view thereof; and,
FIG. 8 is a left side view thereof.

The broken lines in the drawings illustrate portions of the paraffin wax warmer which form no part of the claimed design.

1 Claim, 8 Drawing Sheets



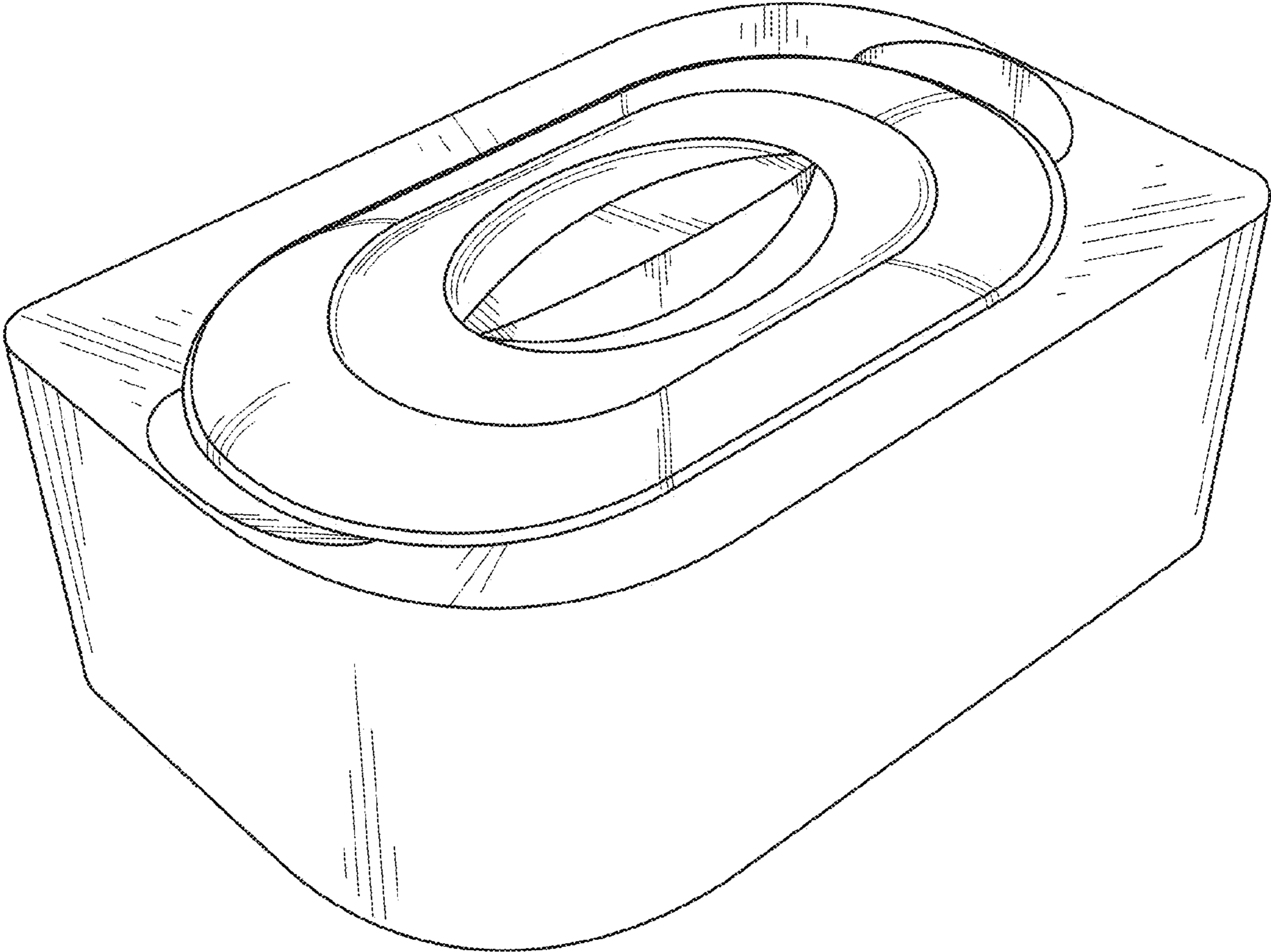


FIG.1

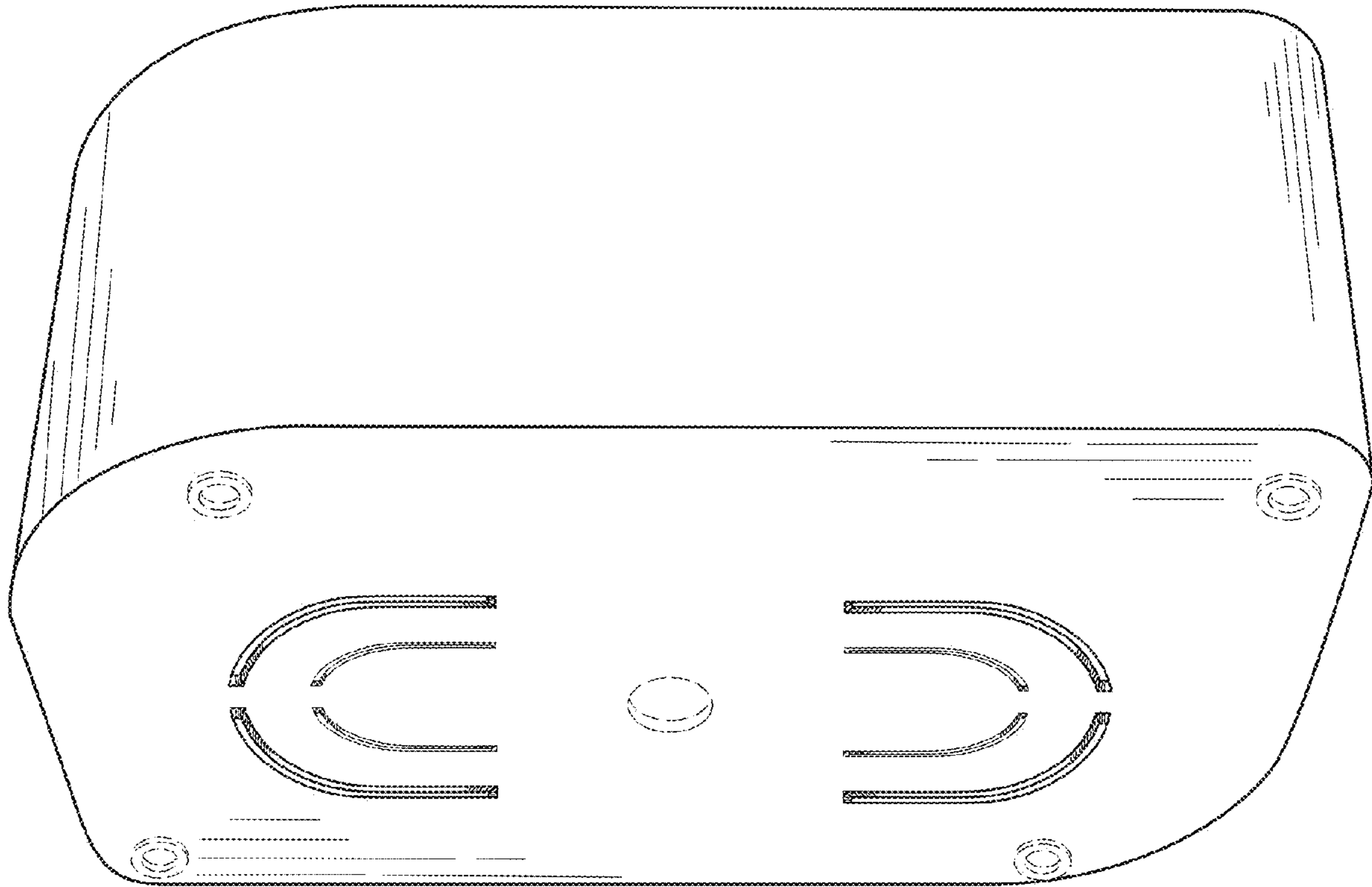


FIG.2

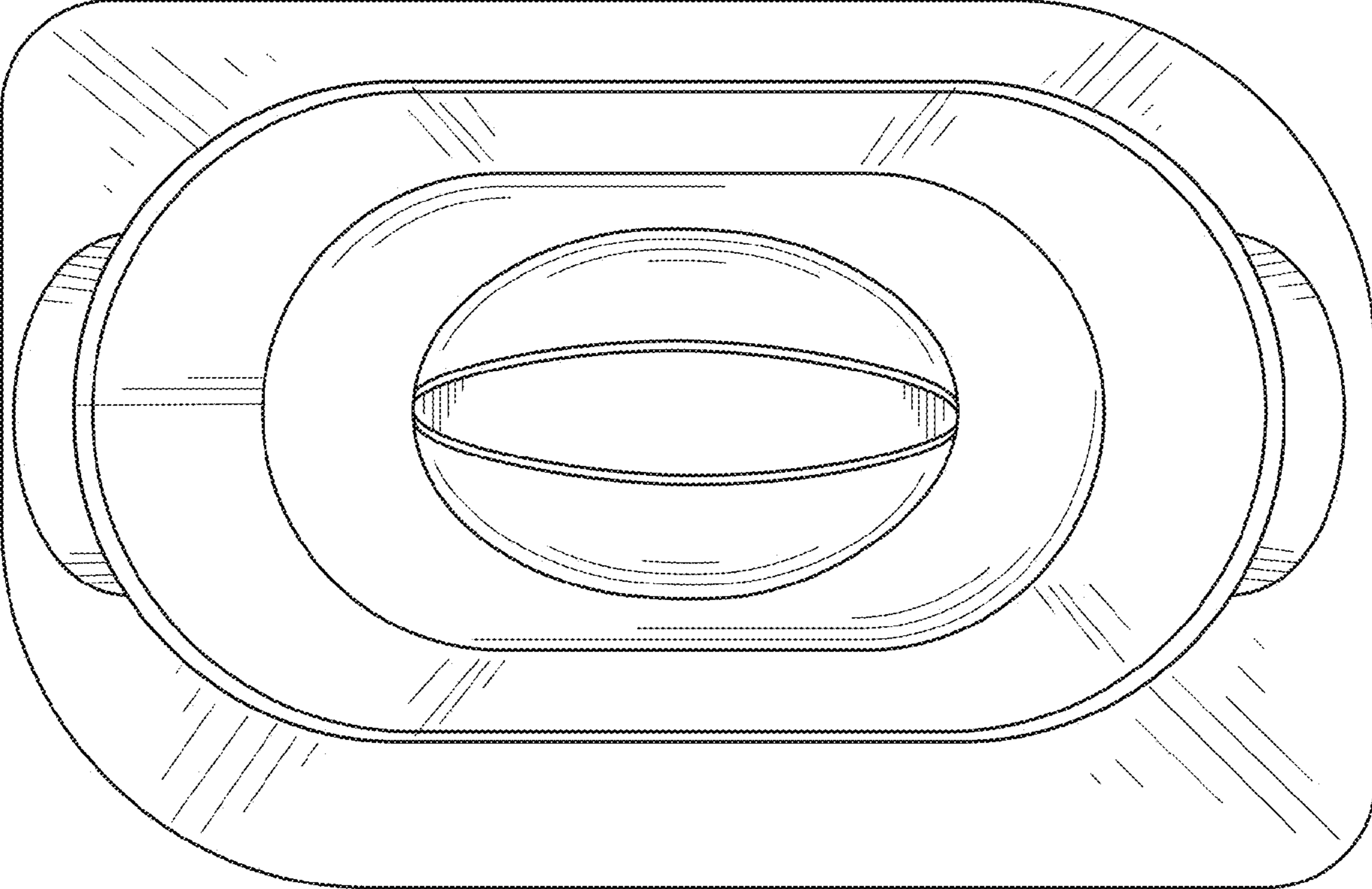


FIG.3

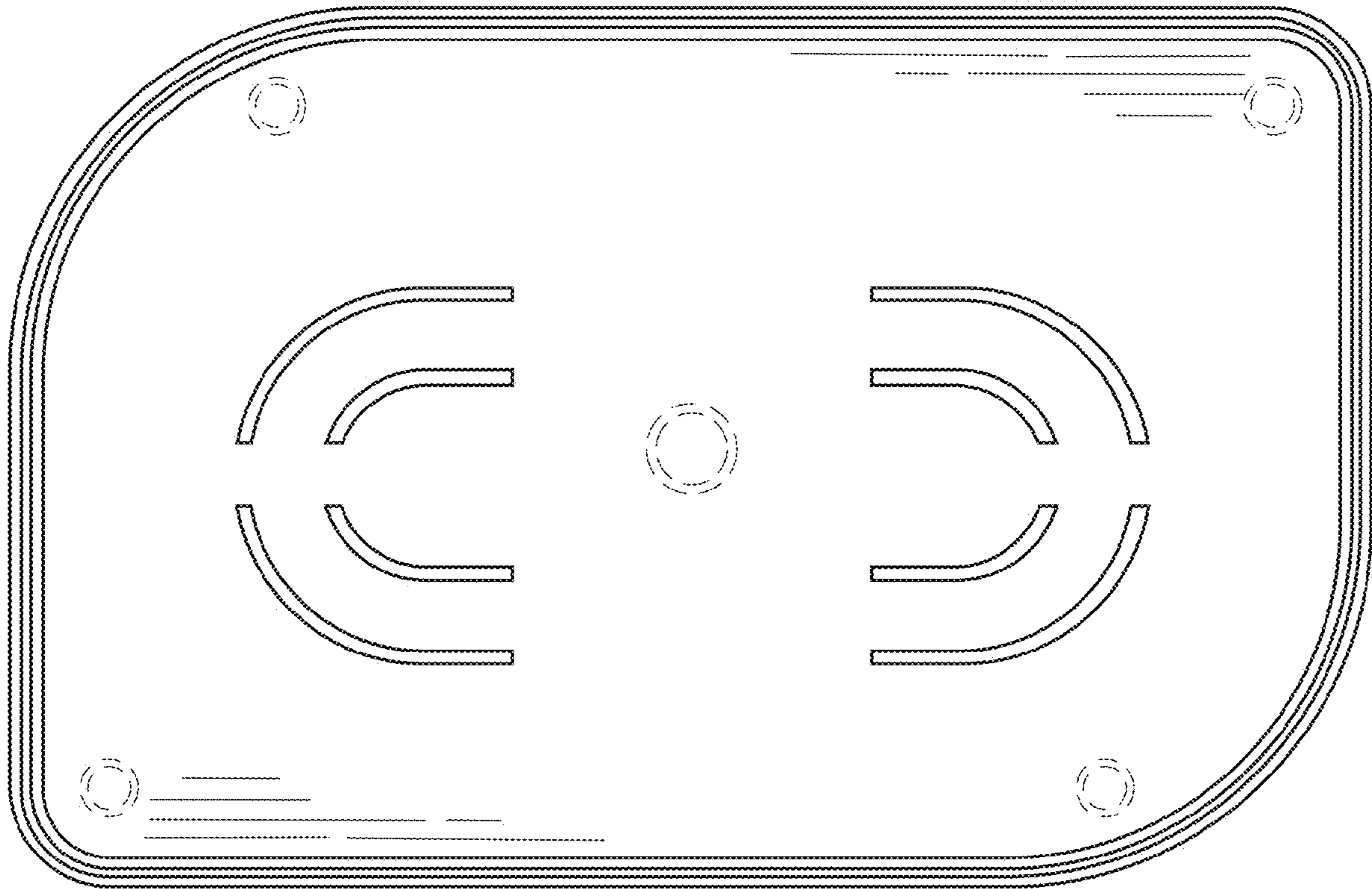


FIG.4

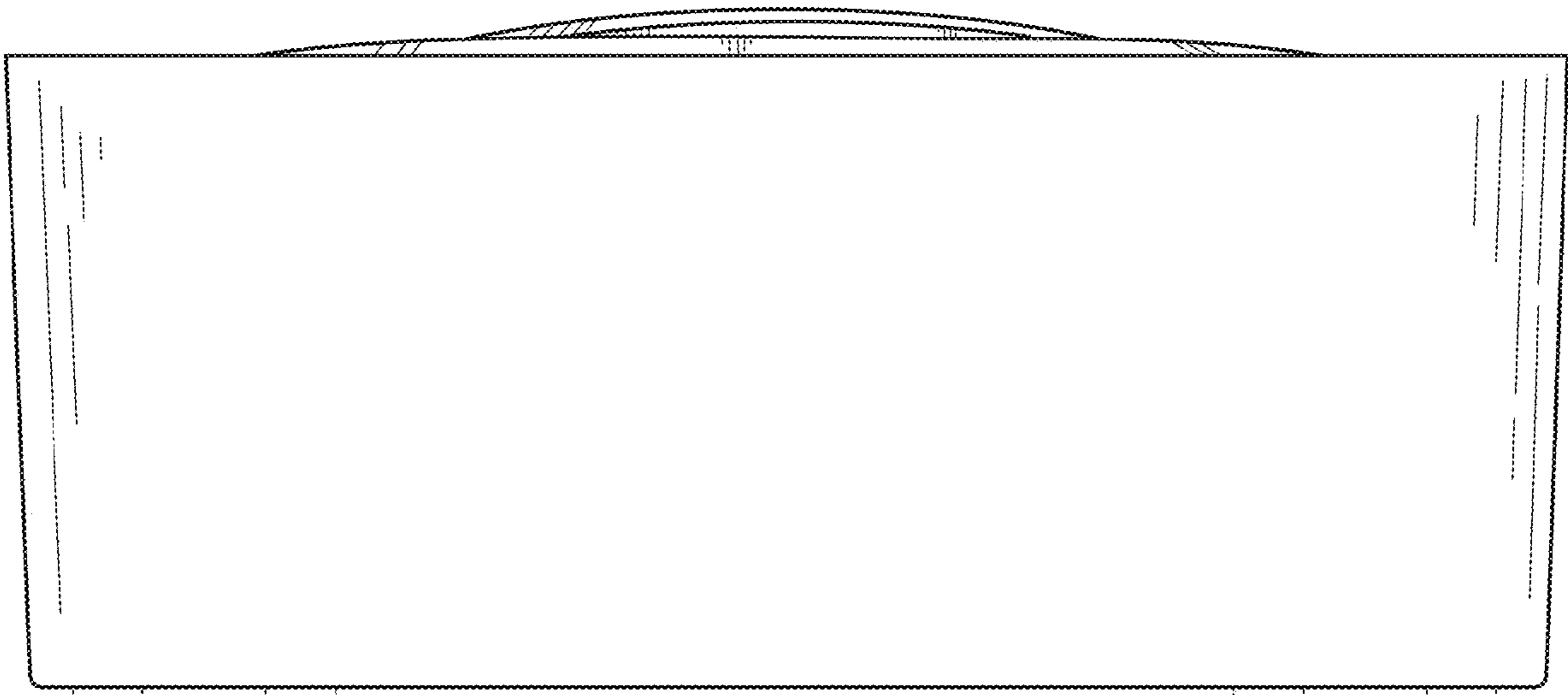


FIG.5

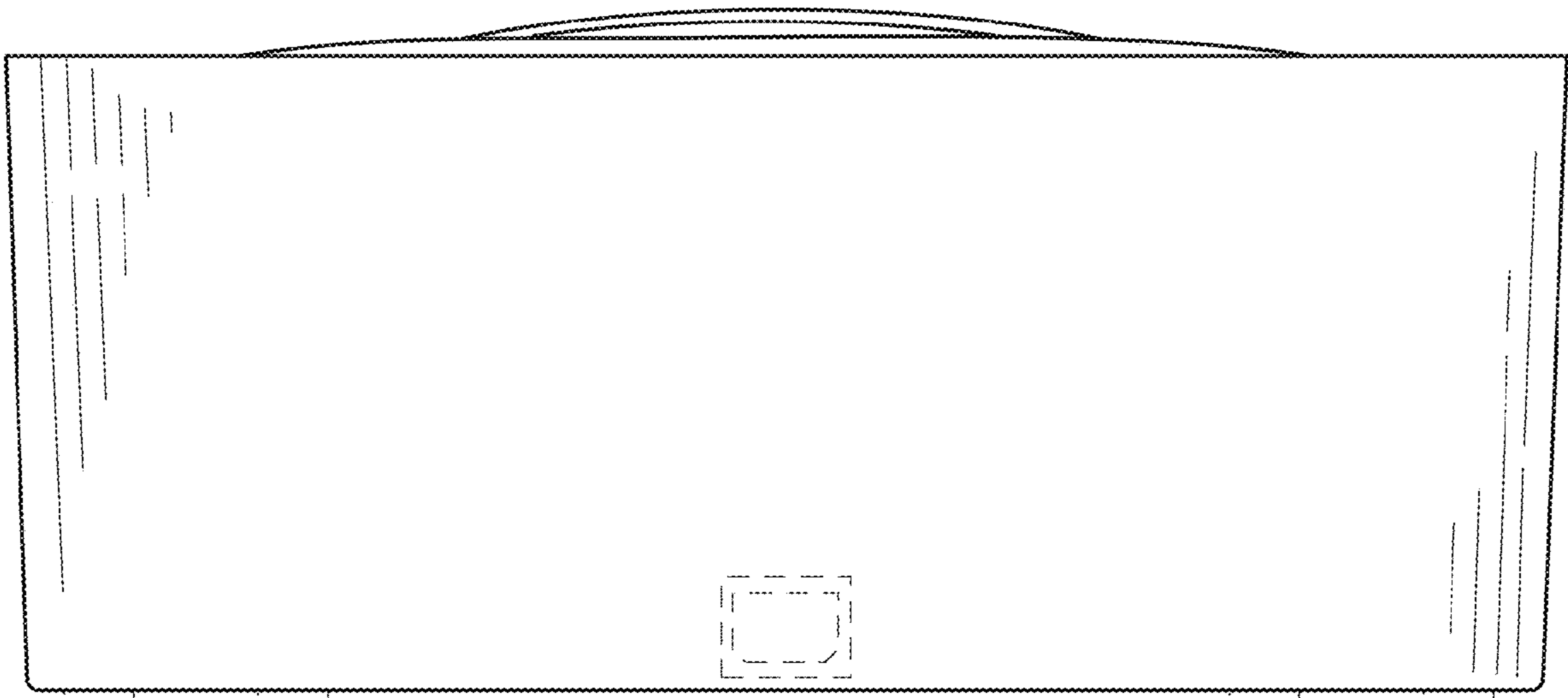


FIG.6

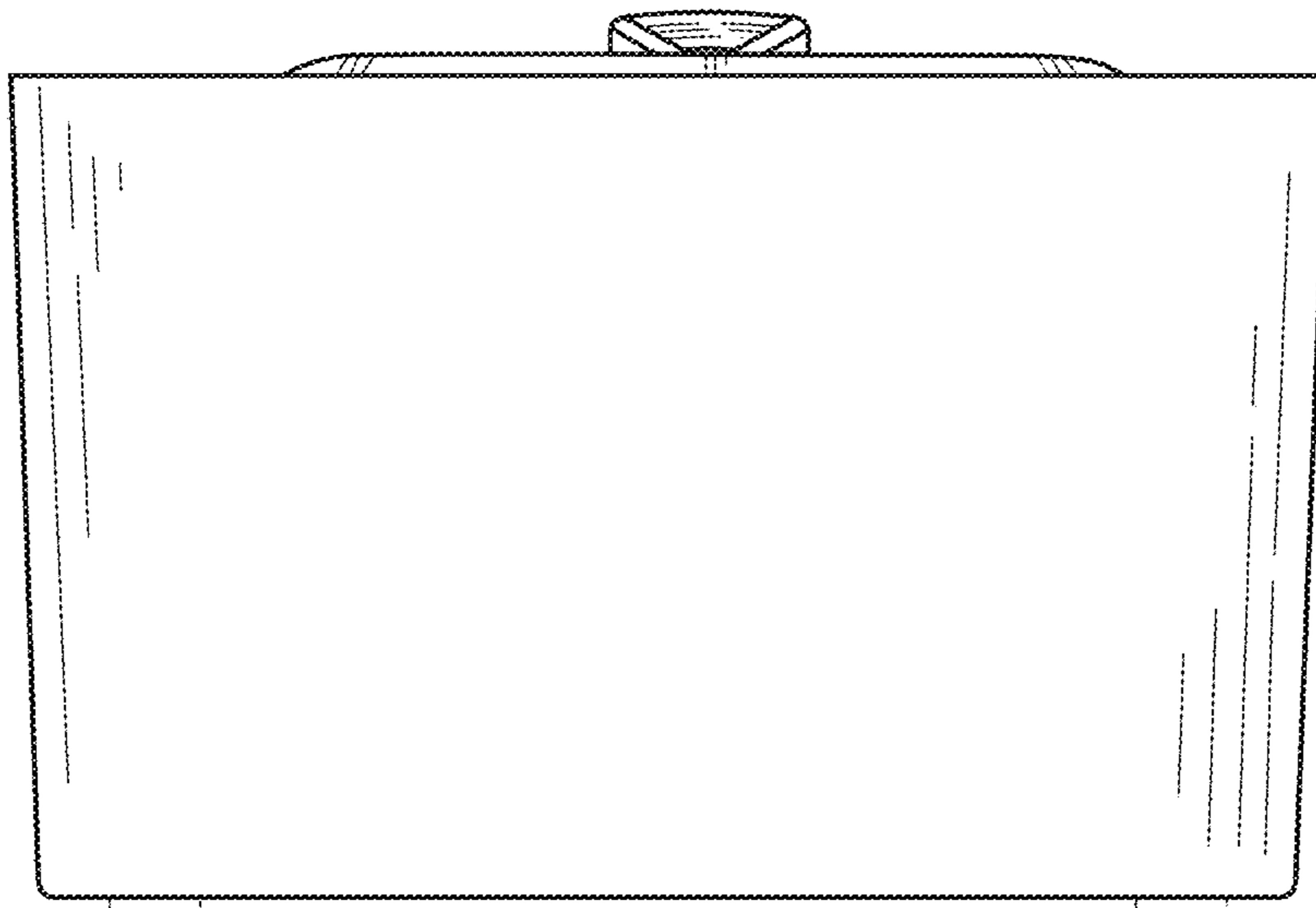


FIG. 7

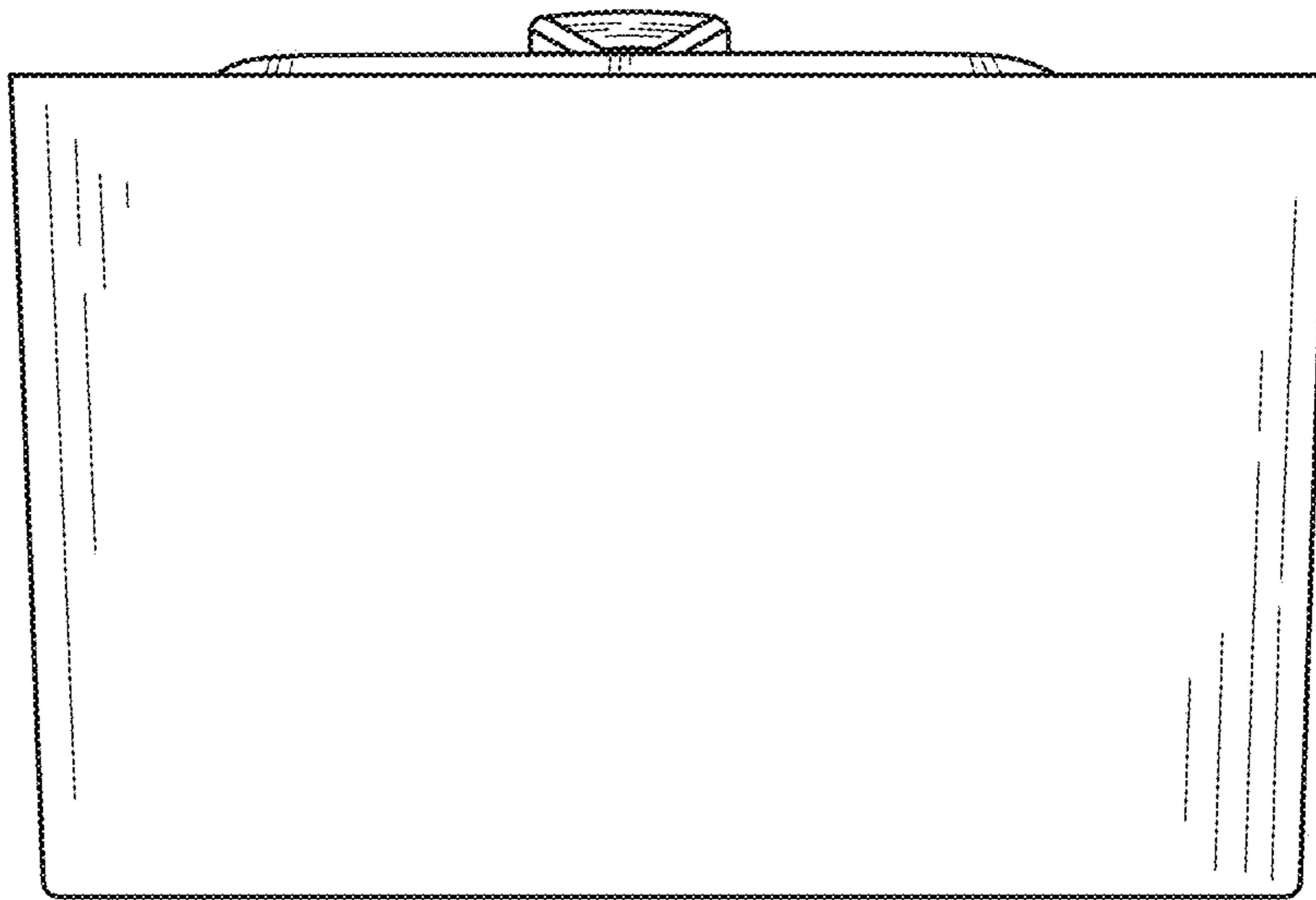


FIG. 8