



US00D938600S

(12) **United States Design Patent** (10) **Patent No.:** **US D938,600 S**
Kersen et al. (45) **Date of Patent:** **** Dec. 14, 2021**

(54) **TWIN LOOP TOE CREST**

(71) Applicants: **Lawrence Kersen**, Boonton, NJ (US);
Marty Vogel, Flushing, NY (US)

(72) Inventors: **Lawrence Kersen**, Boonton, NJ (US);
Marty Vogel, Flushing, NY (US)

(73) Assignee: **Poly-Gel L.L.C.**, Whippany, NJ (US)

(**) Term: **15 Years**

(21) Appl. No.: **29/749,836**

(22) Filed: **Sep. 9, 2020**

(51) **LOC (13) Cl.** **24-01**

(52) **U.S. Cl.**
USPC **D24/192**

(58) **Field of Classification Search**

USPC D24/188, 190-192, 200, 206, 214, 215

CPC A47C 7/383; A47C 7/38; A47C 16/00;

A61F 5/055; A61F 5/0104; A61F 5/3715;

A61F 5/012; A61F 13/00021; A61F

13/0203; A61F 13/066; A61H 1/0218;

A61H 1/0292; A61H 1/0237; A61H

1/0274; A61H 1/0296; A61H 2201/1607;

A61H 2201/1284; A61H 2201/1604;

A61H 2201/1621

See application file for complete search history.

(56) **References Cited**

U.S. PATENT DOCUMENTS

3,196,869 A * 7/1965 Scholl A23N 4/14
602/30

D352,783 S * 11/1994 Doyle D24/190

D354,814 S * 1/1995 Doyle D24/190

D443,694 S * 6/2001 Ford D24/189

D558,957 S * 1/2008 Wilkenfeld D2/902

D559,504 S * 1/2008 Wilkenfeld D2/902

D595,897 S * 7/2009 Moldauer D28/56

8,002,675 B2 * 8/2011 Ferri A61F 5/019
482/79

D661,429 S * 6/2012 Huthmaker D28/57

(Continued)

OTHER PUBLICATIONS

Toe Crests for Hammer Toe, [site visited Oct. 22, 2021], Available from Internet. URL: <https://www.amazon.com/Crests-Support-Cushions-Supports-Kaps/dp/B075W7BBRS> (Year: 2021).*

Primary Examiner — T Chase Nelson

Assistant Examiner — Kelly L Gross

(74) *Attorney, Agent, or Firm* — Edwin D. Schindler

(57) **CLAIM**

The ornamental design for a twin loop toe crest, as shown and described.

DESCRIPTION

FIG. 1 is a top left perspective view of the present design for a twin loop toe crest;

FIG. 2 is a left side view of the twin loop toe crest of the design of FIG. 1;

FIG. 3 is a right side view of the twin loop toe crest of the design of FIG. 1;

FIG. 4 is a top view of the twin loop toe crest of the design of FIG. 1;

FIG. 5 is a bottom view of the twin loop toe crest of the design of FIG. 1;

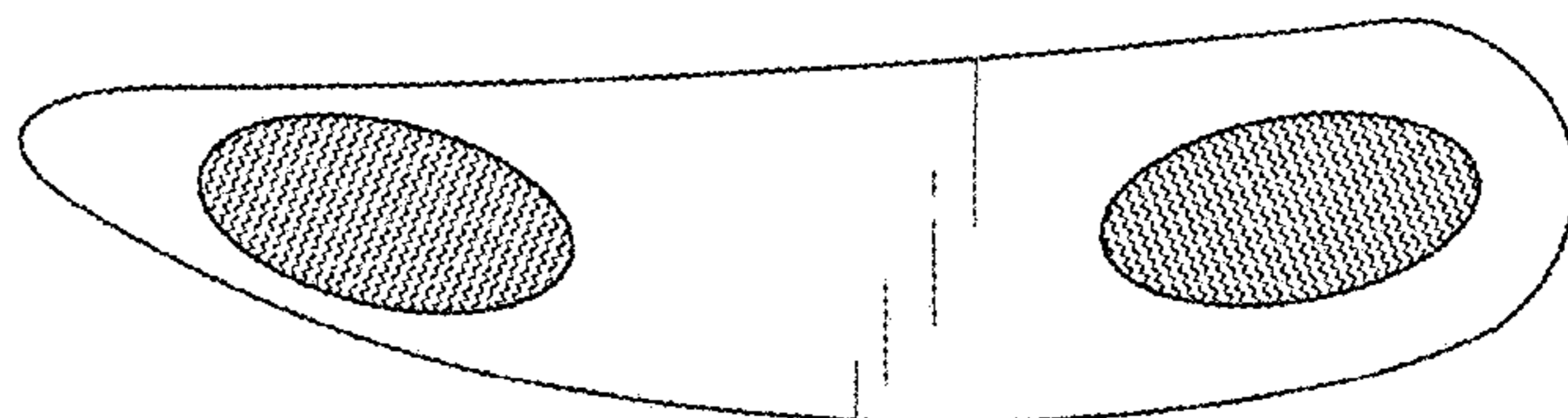
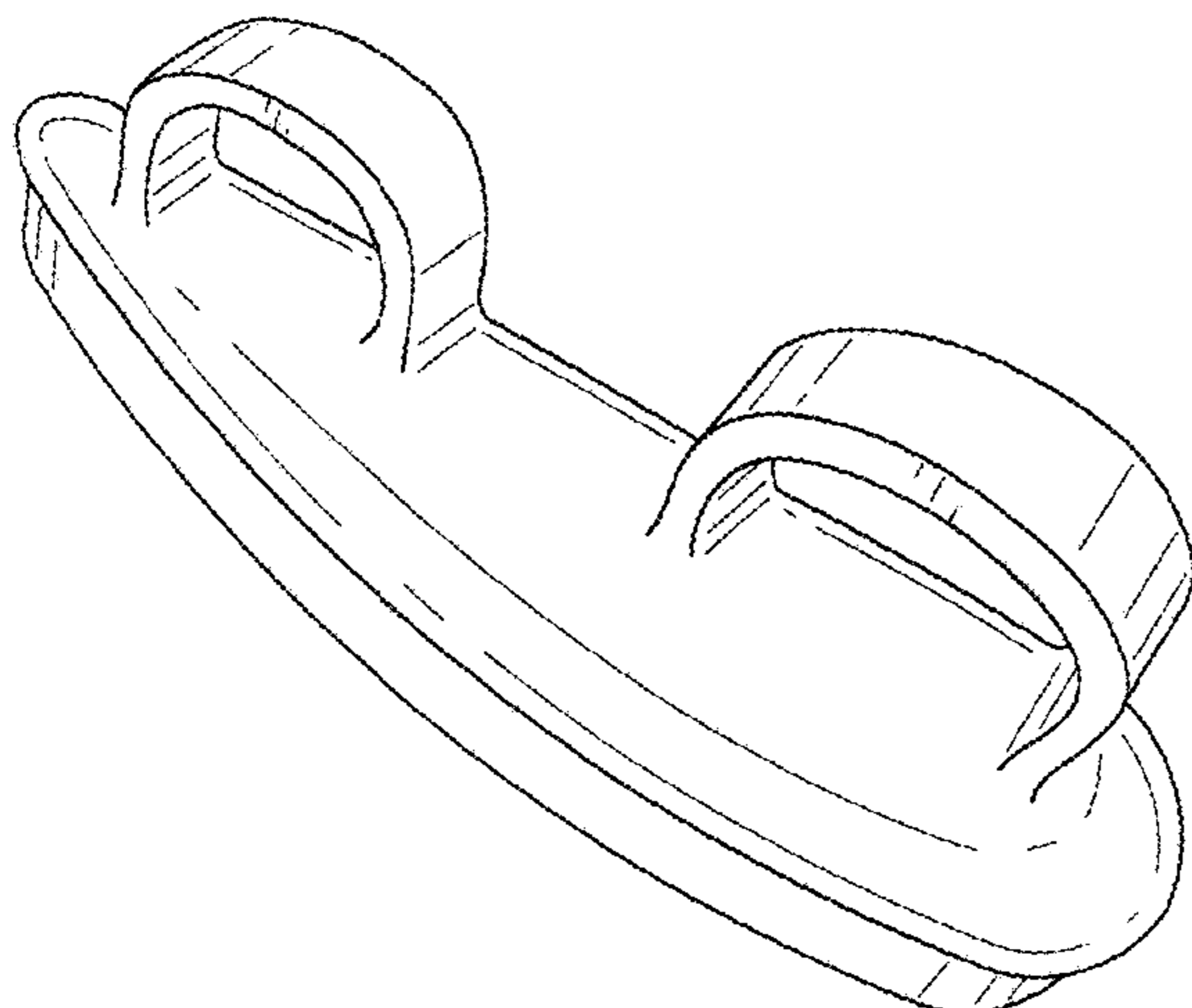
FIG. 6 is a front view of the twin loop toe crest of the design of FIG. 1;

FIG. 7 is a back view of the twin loop toe crest of the design of FIG. 1;

FIG. 8 is a bottom view of the upper portion of the twin loop toe crest of the design of FIG. 1 in a disassembled state, with the bottom surface being provided with a loop material; and,

FIG. 9 is a top view of the lower portion of the twin loop toe crest of the design of FIG. 1 in a disassembled state, with spacers on the top surface being provided with a hook material.

1 Claim, 4 Drawing Sheets



(56)

References Cited

U.S. PATENT DOCUMENTS

D696,406 S * 12/2013 De Santis D24/171
D696,415 S * 12/2013 Wang D24/215
D720,861 S * 1/2015 Rust Huthmaker D24/192
9,066,790 B1 * 6/2015 Fisher A61F 5/019
D734,547 S * 7/2015 Nadjarian D28/57
D762,307 S * 7/2016 Fagerstrom D24/200
D767,771 S * 9/2016 Moon D24/188
D834,203 S * 11/2018 Zhuang D24/190
D851,146 S * 6/2019 Thoni D15/148
D867,685 S * 11/2019 del Moral D30/152
D909,672 S * 2/2021 Williams D28/7
D918,400 S * 5/2021 Ma A61F 5/019
D24/192
D920,524 S * 5/2021 Kersen D24/192
D922,590 S * 6/2021 Kersen D24/192
D927,002 S * 8/2021 Kersen A23N 4/14
D24/192
D931,475 S * 9/2021 Kersen A61F 5/019
D24/192

* cited by examiner

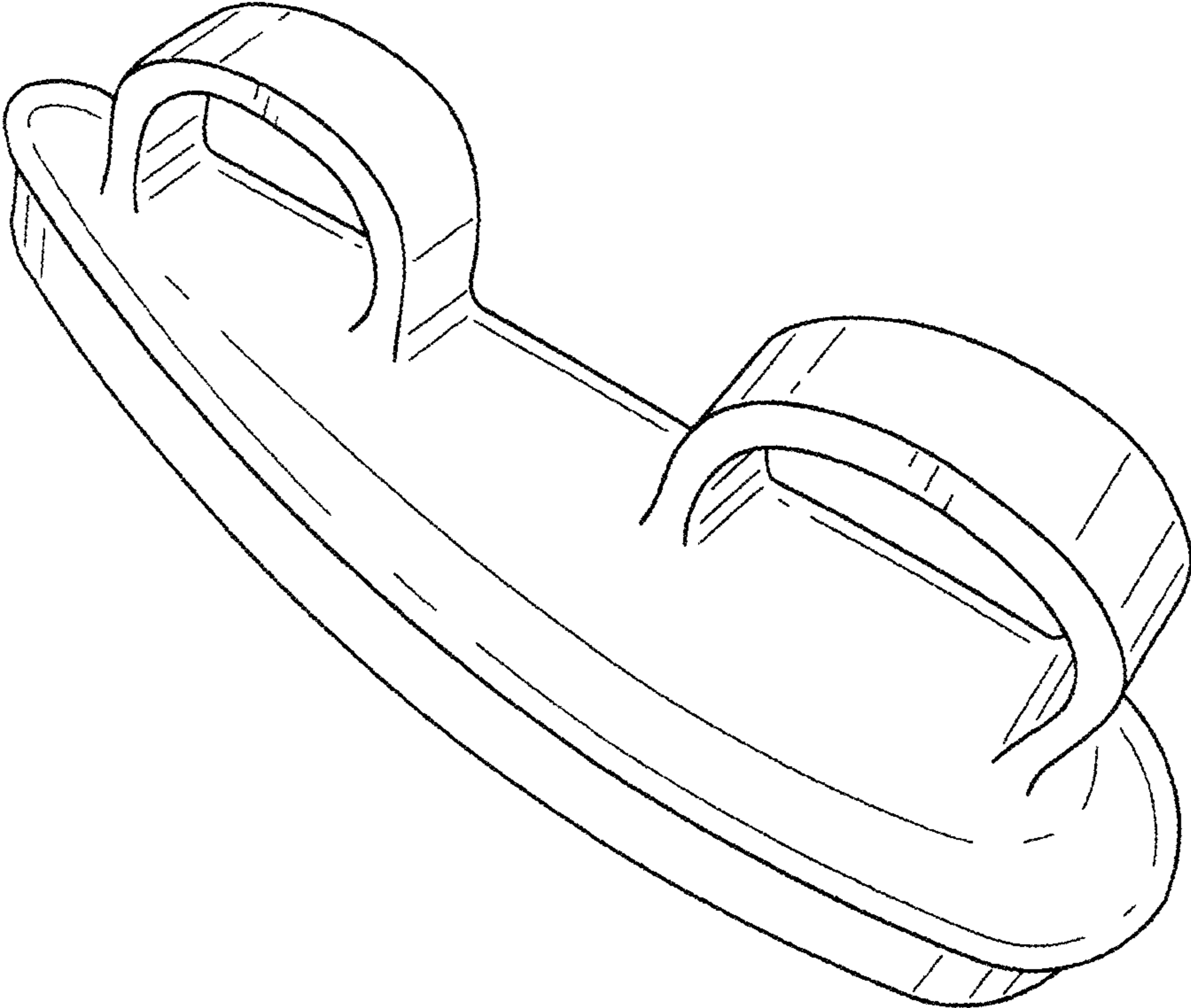


FIG. 1

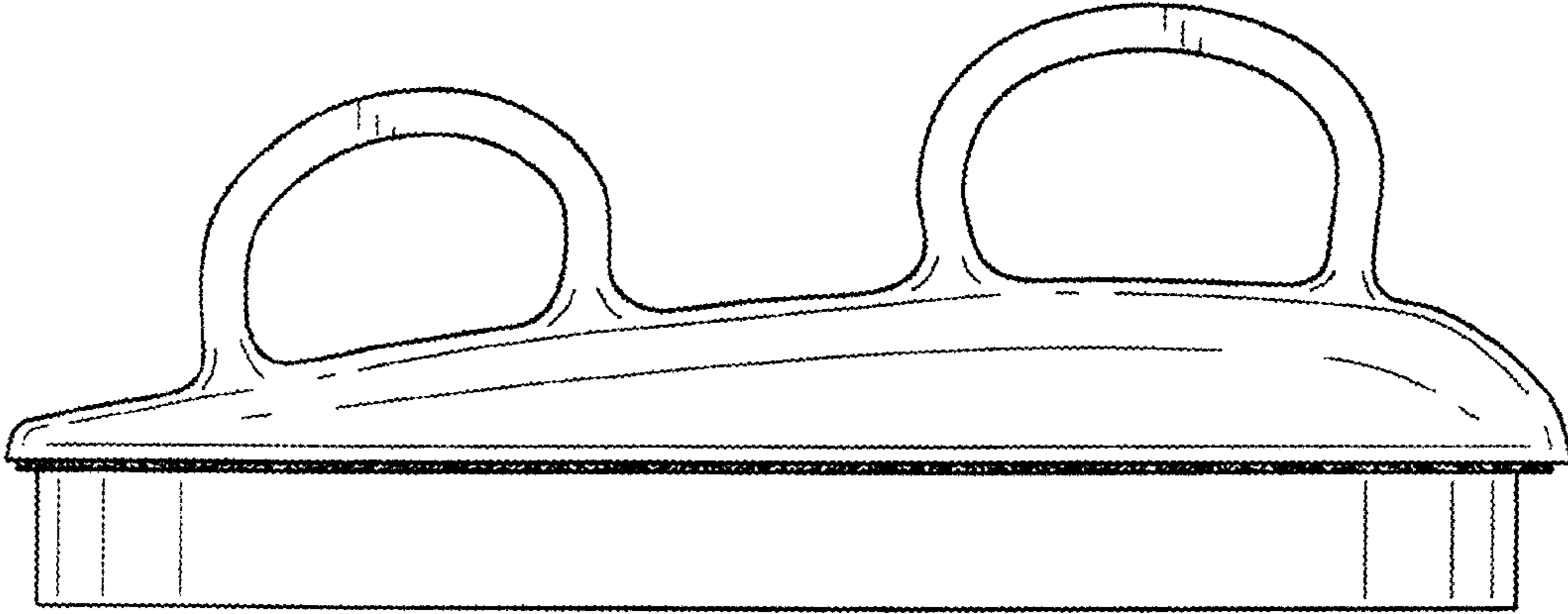


FIG. 2

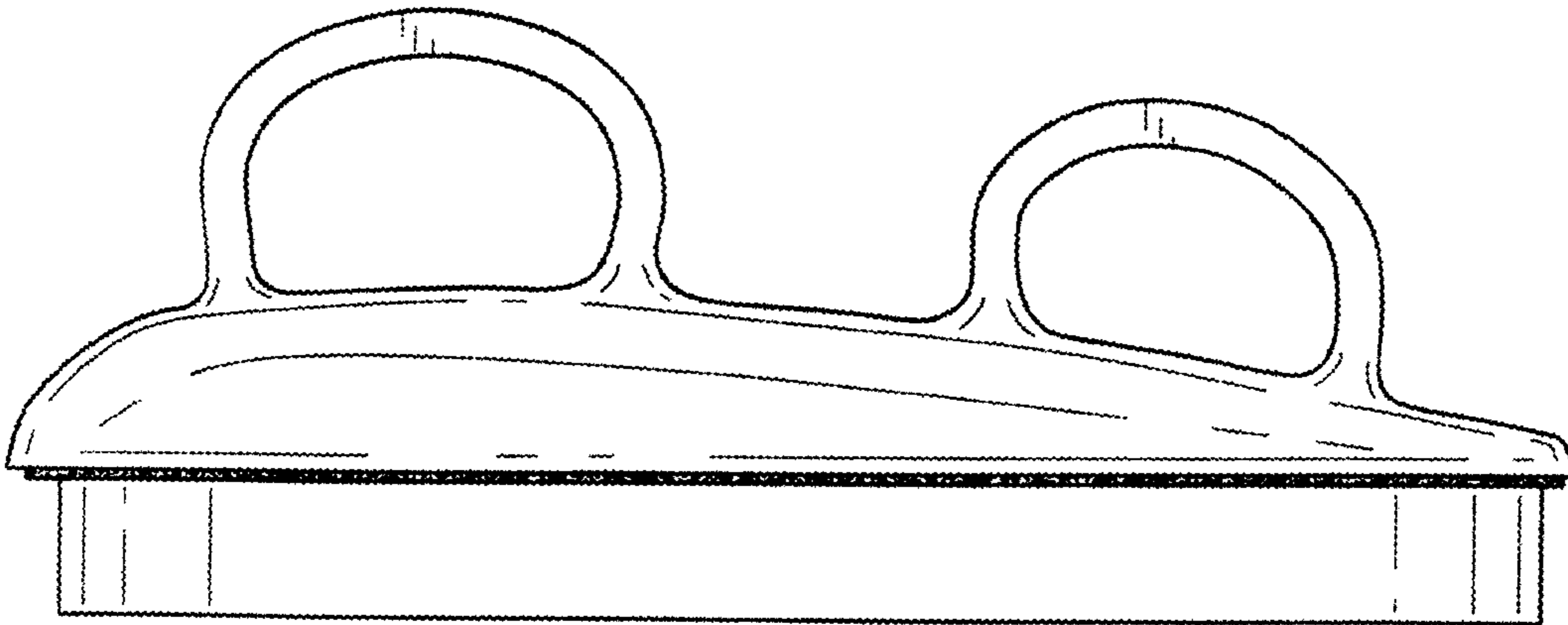


FIG. 3

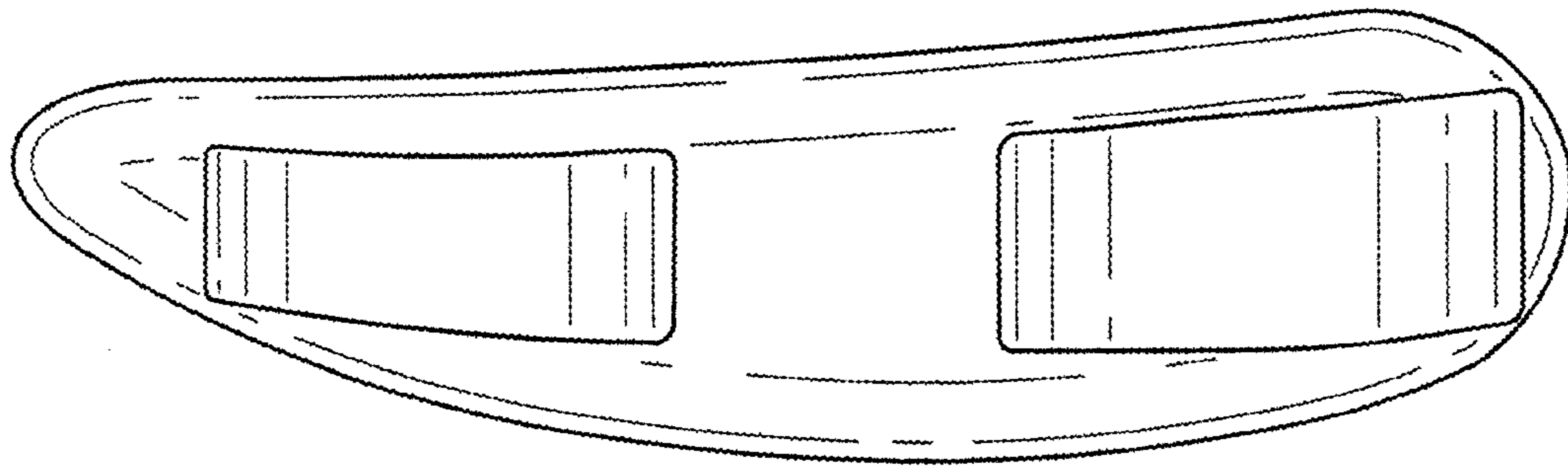


FIG. 4

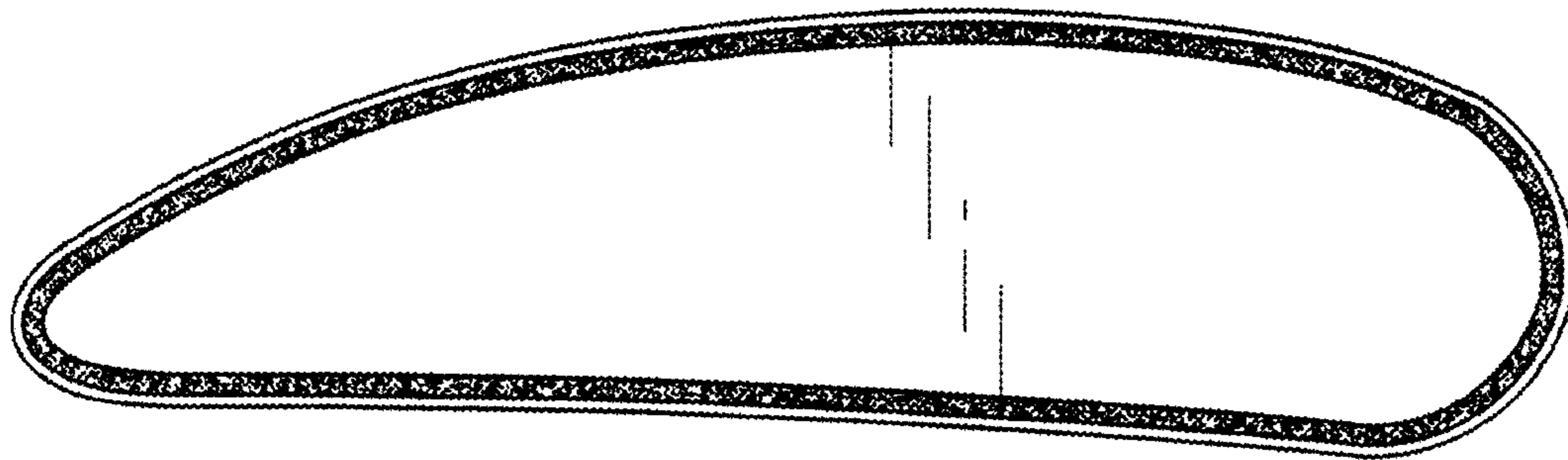


FIG. 5

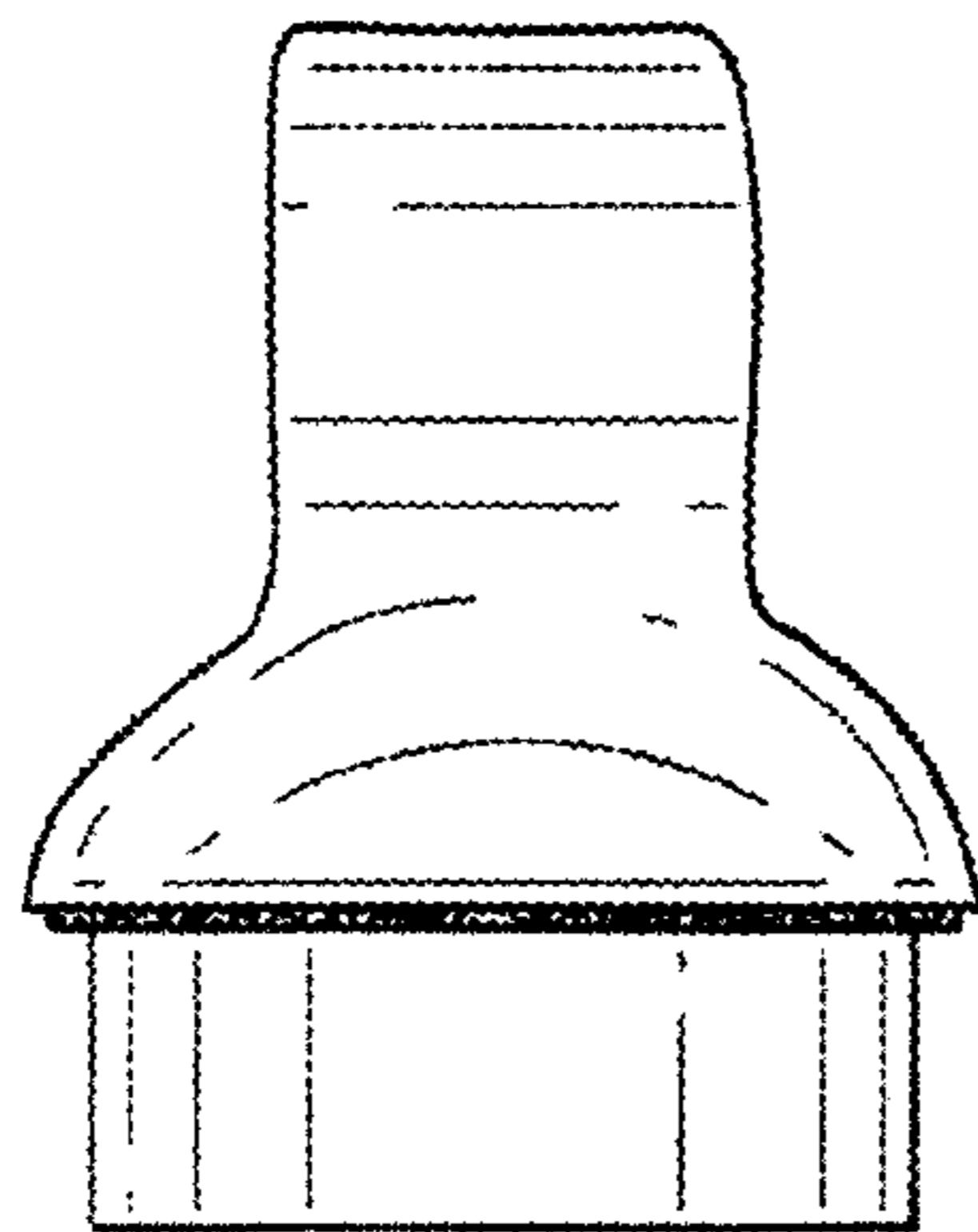


FIG. 6

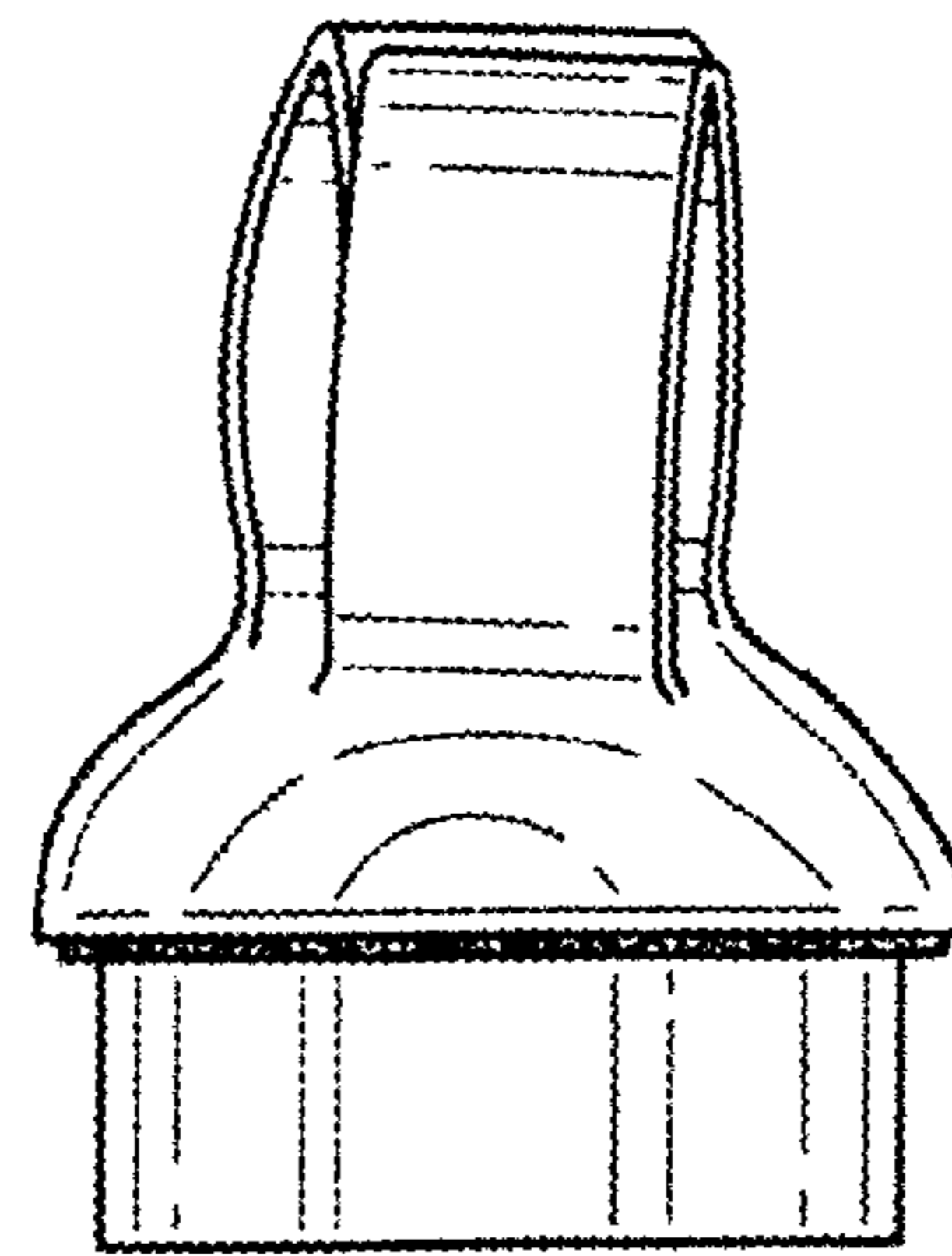


FIG. 7

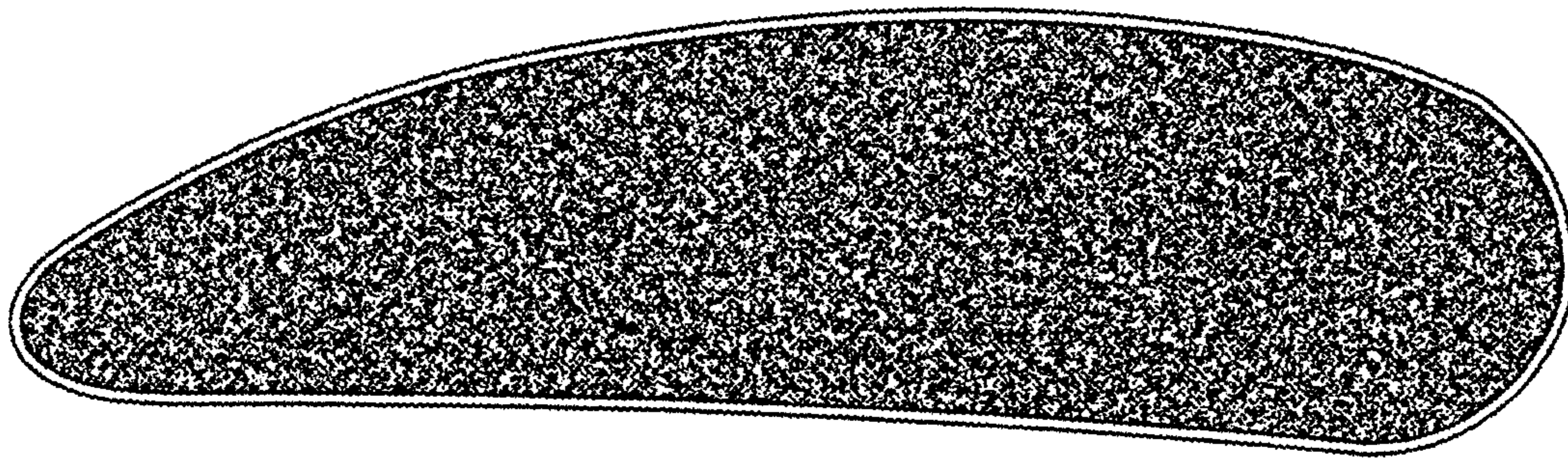


FIG. 8

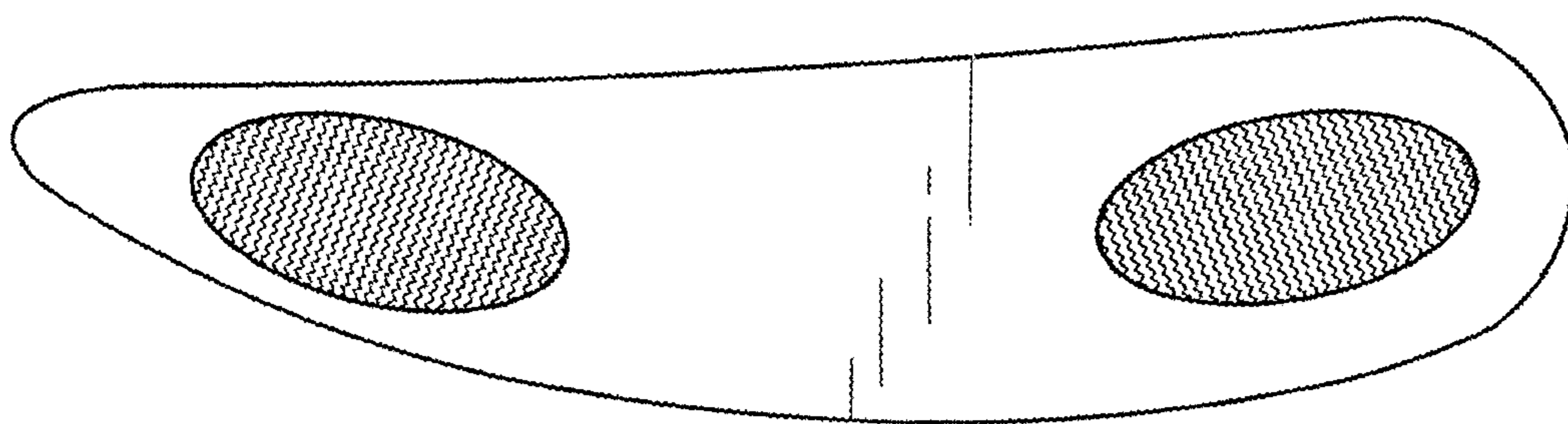


FIG. 9