



US00D938595S

(12) **United States Design Patent**
Iwakura et al.

(10) **Patent No.:** **US D938,595 S**

(45) **Date of Patent:** **** Dec. 14, 2021**

(54) **EARPHONE**

(71) Applicant: **RION CO., LTD.**, Tokyo (JP)

(72) Inventors: **Takashi Iwakura**, Tokyo (JP); **Akihiro Soeta**, Tokyo (JP); **Kei Koyama**, Tokyo (JP)

(73) Assignee: **RION CO., LTD.**

(**) Term: **15 Years**

(21) Appl. No.: **29/705,397**

(22) Filed: **Sep. 11, 2019**

(30) **Foreign Application Priority Data**

Mar. 13, 2019 (JP) 2019-005302

Mar. 13, 2019 (JP) 2019-005304

(51) **LOC (13) Cl.** **24-99**

(52) **U.S. Cl.**
USPC **D24/174; D14/223**

(58) **Field of Classification Search**
USPC ... D14/205, 207, 217, 221, 223, 224, 224.1,
D14/225, 216; D24/173, 174

(Continued)

(56) **References Cited**

U.S. PATENT DOCUMENTS

D137,091 S * 1/1944 Smith D24/106

D215,217 S * 9/1969 Noyes D14/205

(Continued)

FOREIGN PATENT DOCUMENTS

CN 305758366 * 5/2020

CN 305927952 * 7/2020

(Continued)

OTHER PUBLICATIONS

JBL C100SI In-Ear Deep Bass Headphones With Mic, announced © 2021 [online], retrieved May 20, 2021, retrieved from internet, <https://www.salistic.com/en/electronics/82-jbl-c100si-in-ear-deep-bass-headphones-with-mic-black.html>.*

(Continued)

Primary Examiner — Dana K Weiland

Assistant Examiner — Messina L Smith

(74) *Attorney, Agent, or Firm* — Ware, Fressola, Maguire & Barber LLP

(57) **CLAIM**

We claim the ornamental design for an earphone, as shown and described.

DESCRIPTION

FIG. 1 is a front elevational view of an earphone showing our new design;

FIG. 2 is a rear elevational view thereof;

FIG. 3 is a left side elevational view thereof;

FIG. 4 is a right side elevational view thereof;

FIG. 5 is a top plan view thereof;

FIG. 6 is a bottom plan view thereof;

FIG. 7 is a left side perspective view thereof;

FIG. 8 is a right side perspective view thereof;

FIG. 9 is a front elevational view thereof;

FIG. 10 is a rear elevational view thereof;

FIG. 11 is a top perspective view thereof;

FIG. 12 is a bottom perspective view thereof;

FIG. 13 is a top perspective view of the earphone shown with the plug adaptor in an alternative environment of use;

FIG. 14 is a bottom perspective view thereof;

FIG. 15 is a left side perspective view thereof;

FIG. 16 is a right side perspective view thereof;

FIG. 17 is a front elevational view thereof;

FIG. 18 is a rear elevational view thereof;

FIG. 19 is a top rear perspective view thereof;

FIG. 20 is a bottom front perspective view thereof;

FIG. 21 is a rear left side perspective view thereof;

FIG. 22 is a front right side perspective view thereof;

FIG. 23 is a front top perspective view thereof;

FIG. 24 is a rear bottom perspective view thereof;

FIG. 25 is a top perspective view of the earphone shown with a hearing aid on the plug adaptor in another alternate environment of use;

FIG. 26 is a bottom perspective view thereof;

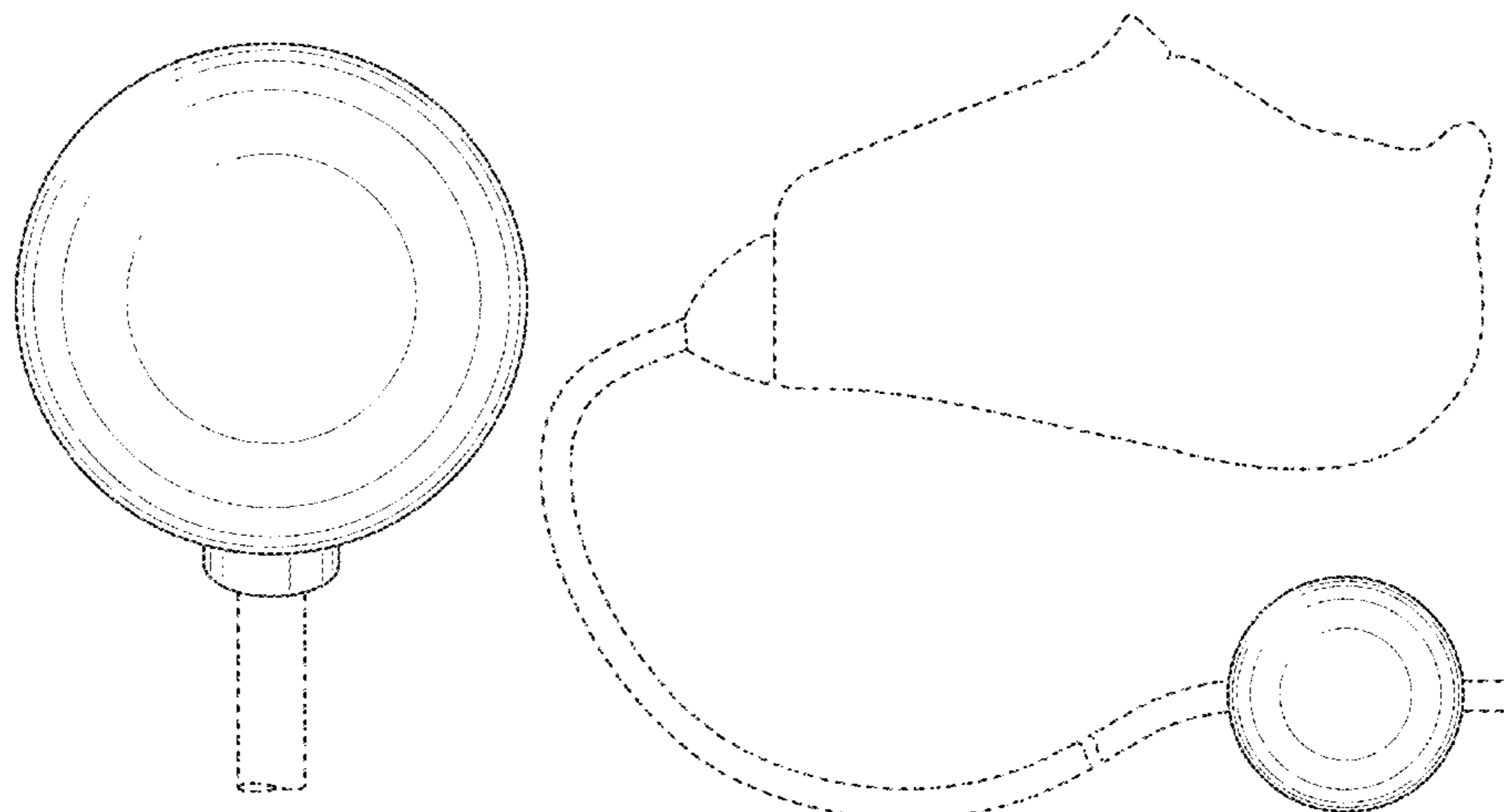
FIG. 27 is a left side perspective view thereof;

FIG. 28 is a right side perspective view thereof;

FIG. 29 is a front elevational view thereof; and,

FIG. 30 is a rear elevational view thereof.

(Continued)



The broken lines depicting the wire in FIGS. 1-4, and 6-30, plug adaptor in FIGS. 13-24, and hearing aid in FIGS. 25-30 have been shown for the purpose of illustrating environment that forms no part of the claimed design.

1 Claim, 15 Drawing Sheets

(58) **Field of Classification Search**

CPC H04R 1/10; H04R 1/1016; H04R 1/1066;
H04R 1/1033; H04R 1/08; H04R 5/033;
H04R 5/0335; H04R 25/00

See application file for complete search history.

(56) **References Cited**

U.S. PATENT DOCUMENTS

5,561,275	A *	10/1996	Savage	A61B 7/04	
				181/131	
6,002,777	A *	12/1999	Grasfield	A61B 7/04	
				181/131	
6,056,082	A *	5/2000	Lindgren	A61F 11/12	
				128/864	
D512,982	S	12/2005	Rodarte		
D633,086	S *	2/2011	Chen	D14/223	
D633,902	S *	3/2011	Tokuno	D14/244	
D664,523	S *	7/2012	Naitou	D14/223	
D735,131	S *	7/2015	Akana	D13/108	
D757,658	S *	5/2016	Williams	D13/155	
D798,807	S *	10/2017	Shi	D13/108	
D842,277	S	3/2019	Lee		
D848,979	S *	5/2019	Kim	D14/223	
D848,981	S *	5/2019	Kim	D14/223	
D888,009	S *	6/2020	Ying	D14/205	
D895,577	S *	9/2020	Smith	D14/223	

D896,751	S *	9/2020	Afrouzi	D13/110
D906,979	S *	1/2021	Chen	D13/146
D909,342	S *	2/2021	Herndon	D14/217
2021/0029477	A1 *	1/2021	Yoshikawa	H04R 1/1016

FOREIGN PATENT DOCUMENTS

CN	305967873	*	8/2020
JP	467561		8/1977
JP	1385169		4/2010
JP	1510885		11/2014
WO	D098050-001	*	6/2017

OTHER PUBLICATIONS

Digital BTE, no announcement date [online], rtrieved May 20, 2021, retrieved from internet, https://www.rion.co.jp/english/product/audiological/hearing_instruments/digital_bte/.*

Personal Digital 6 Channels Hearing Aids, announced Aug. 3, 2020 [online], rtrieved May 20, 2021, retrieved from internet, <https://www.amazon.com/Personal-Channels-Amplifier-Microphone-Cancelling/dp/B08BYGXH88>.*

Candy Round Earbuds, announced © 2019 [online], rtrieved May 20, 2021, retrieved from internet, https://www.brilliantpromos.com/ap/Candy-Round-Earbuds-5958980?gclid=Cj0KCQjwkZiFBhD9ARIsAGxFX8CZGTvCMbFGZYTXRnlHv9wxXAqvOmy3cJJ3rlku riBA9Wmfgi4zuiQaAkwcEALw_wcB.*

U.S. Appl. No. 29/705,393, filed Sep. 2019, Iwakura.

Inair Ergonomics Ear Speaker flyer, page No. 1, received by the National Center for Industrial Property Information and Training (INPIT) on Nov. 17, 2017.

Domus Monthly Review of Architecure Interiors Design Art, No. 752 (Sep. 30, 1993) p. 185, Editoriale Domus Spa, Rozzano, Italy.

English translation of JP 1510885, 4 pages.

English translation of JP 1385169, 4 pages.

* cited by examiner

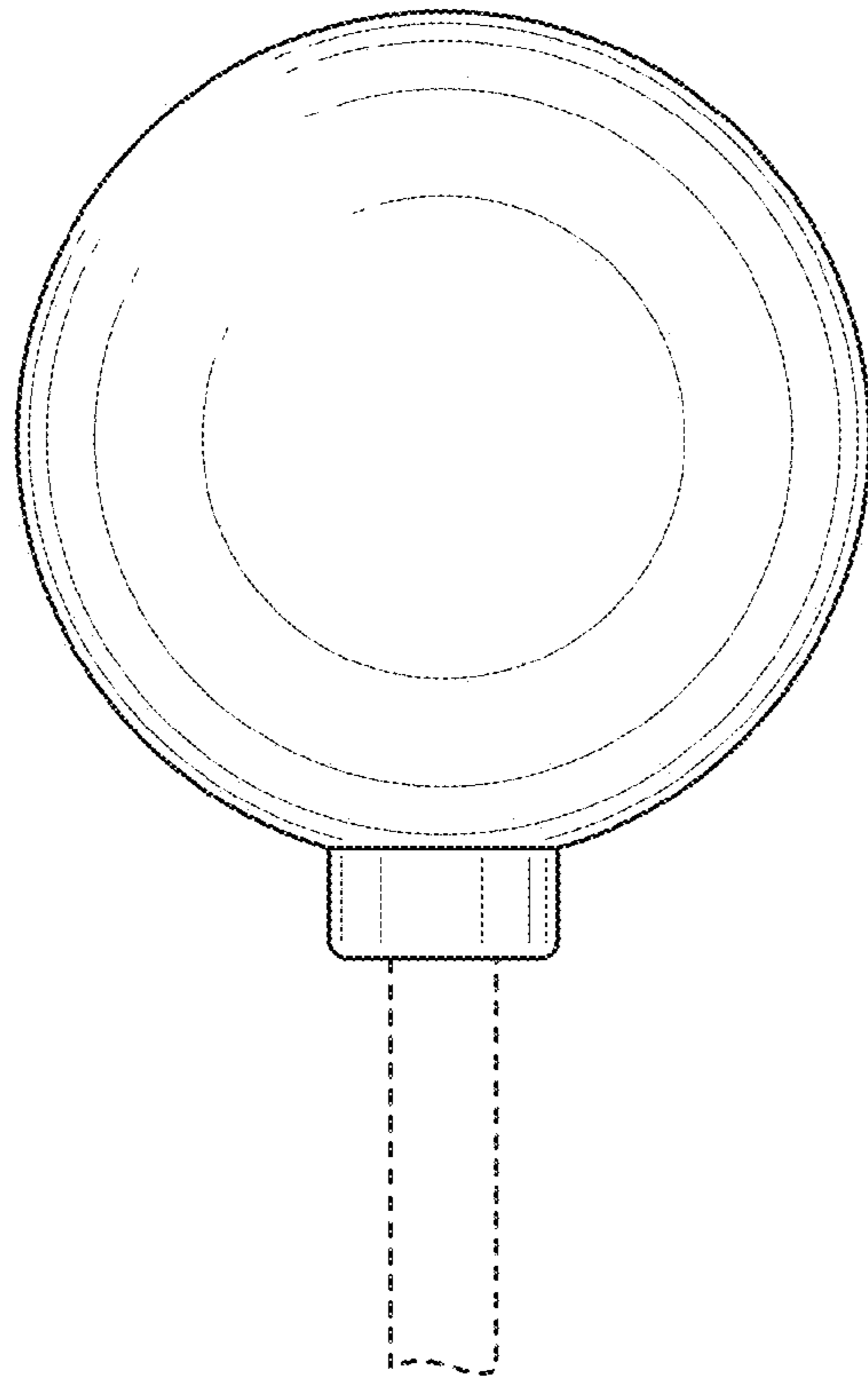


FIG. 1

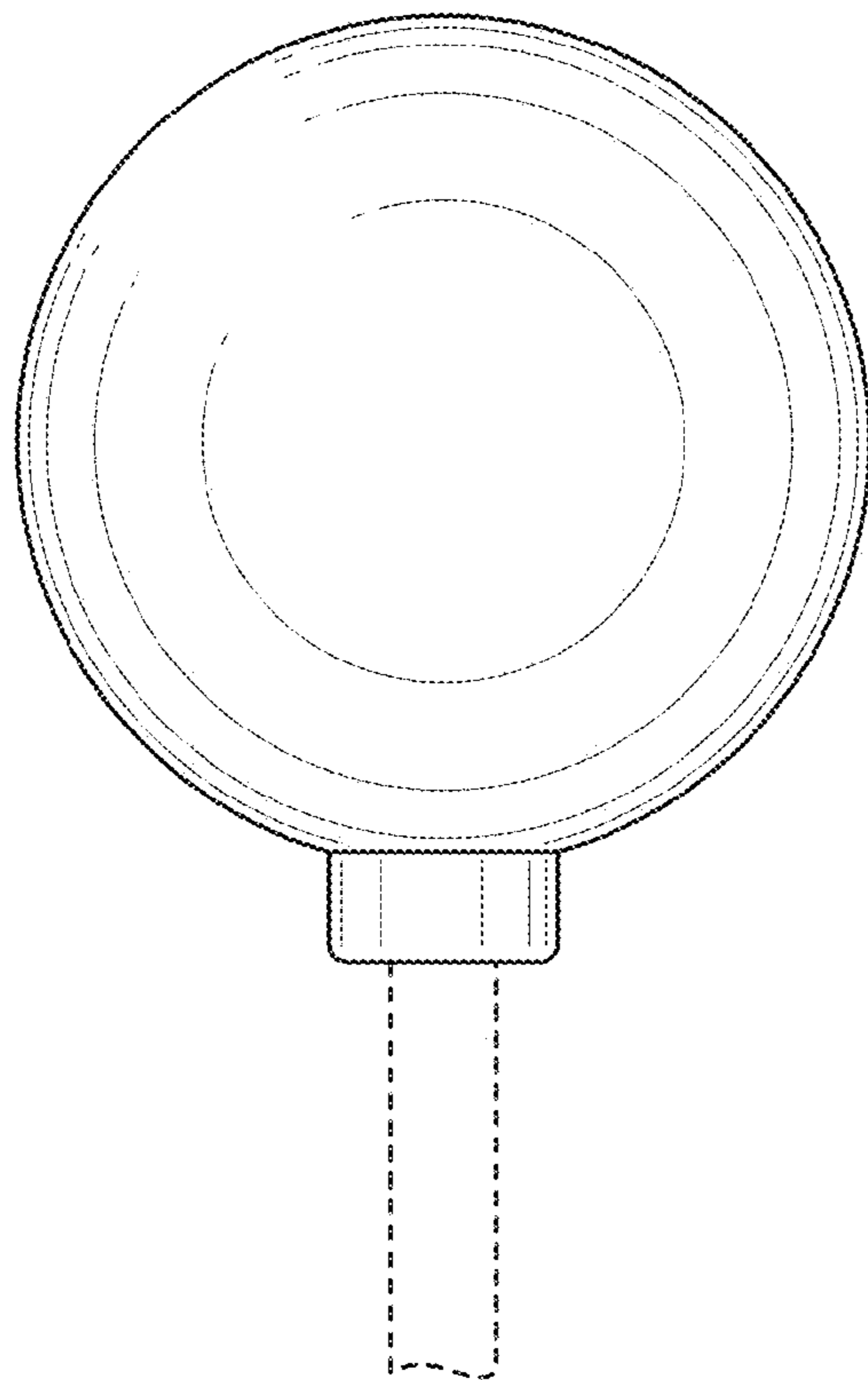


FIG. 2

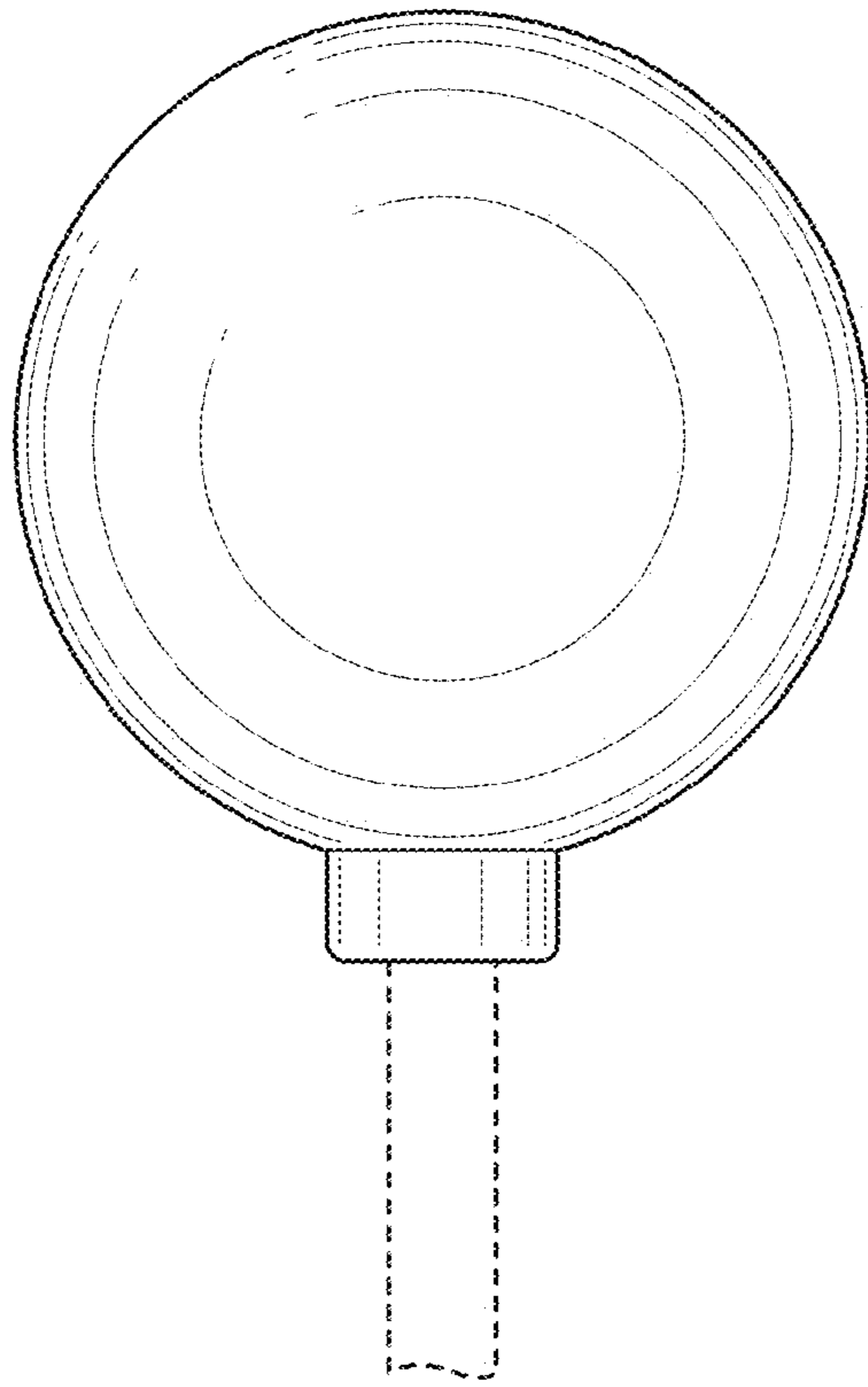


FIG. 3

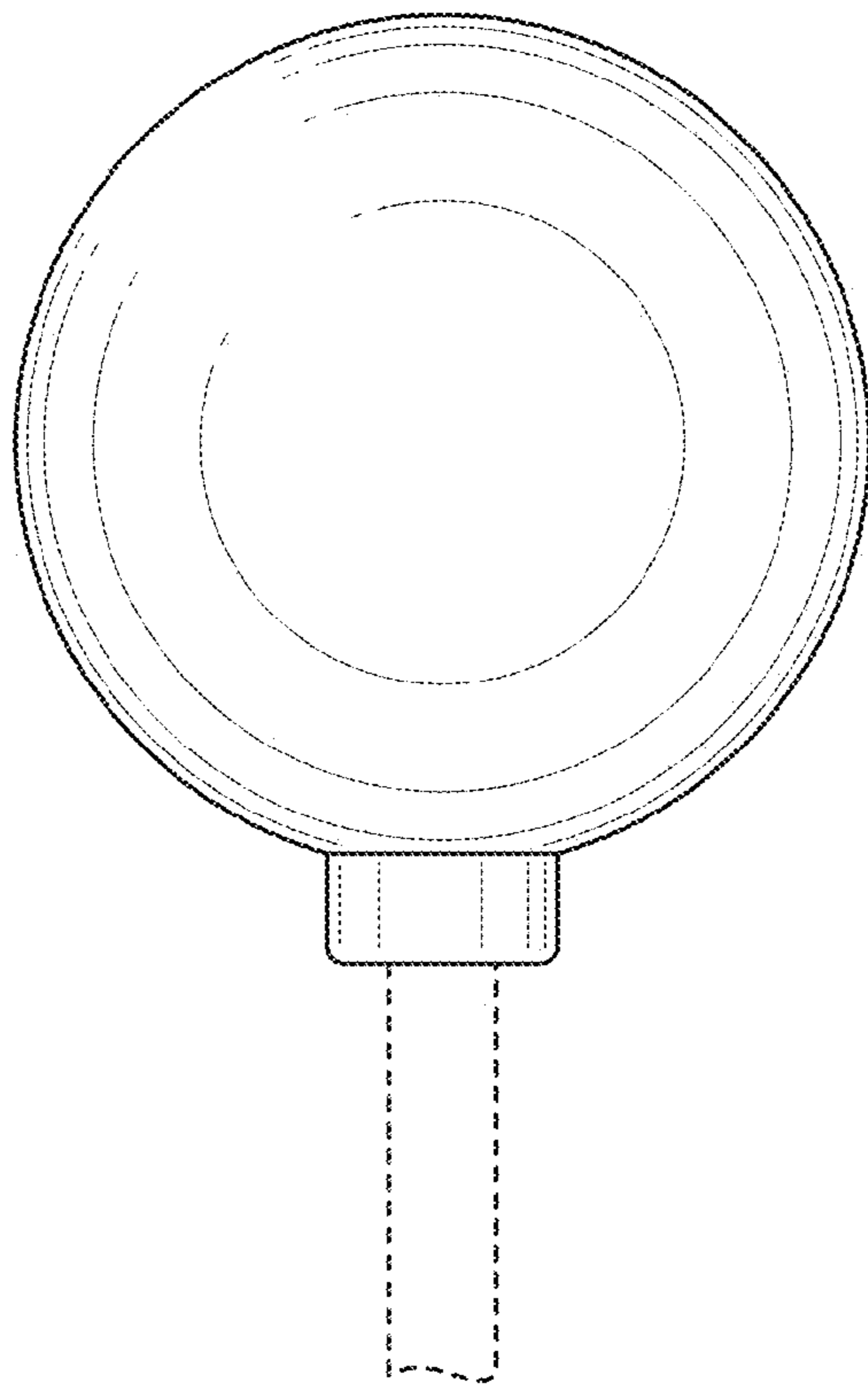


FIG. 4

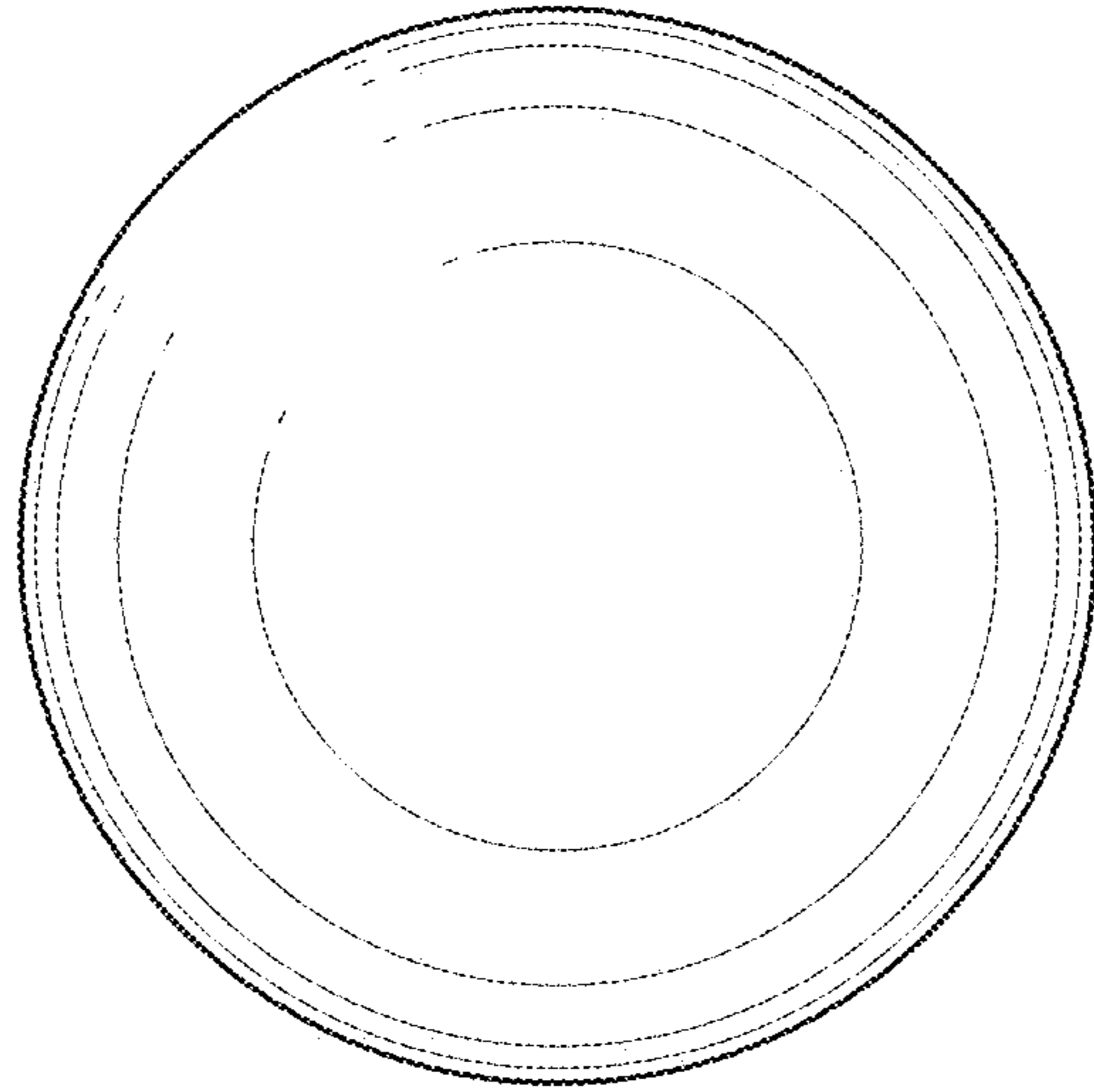


FIG. 5

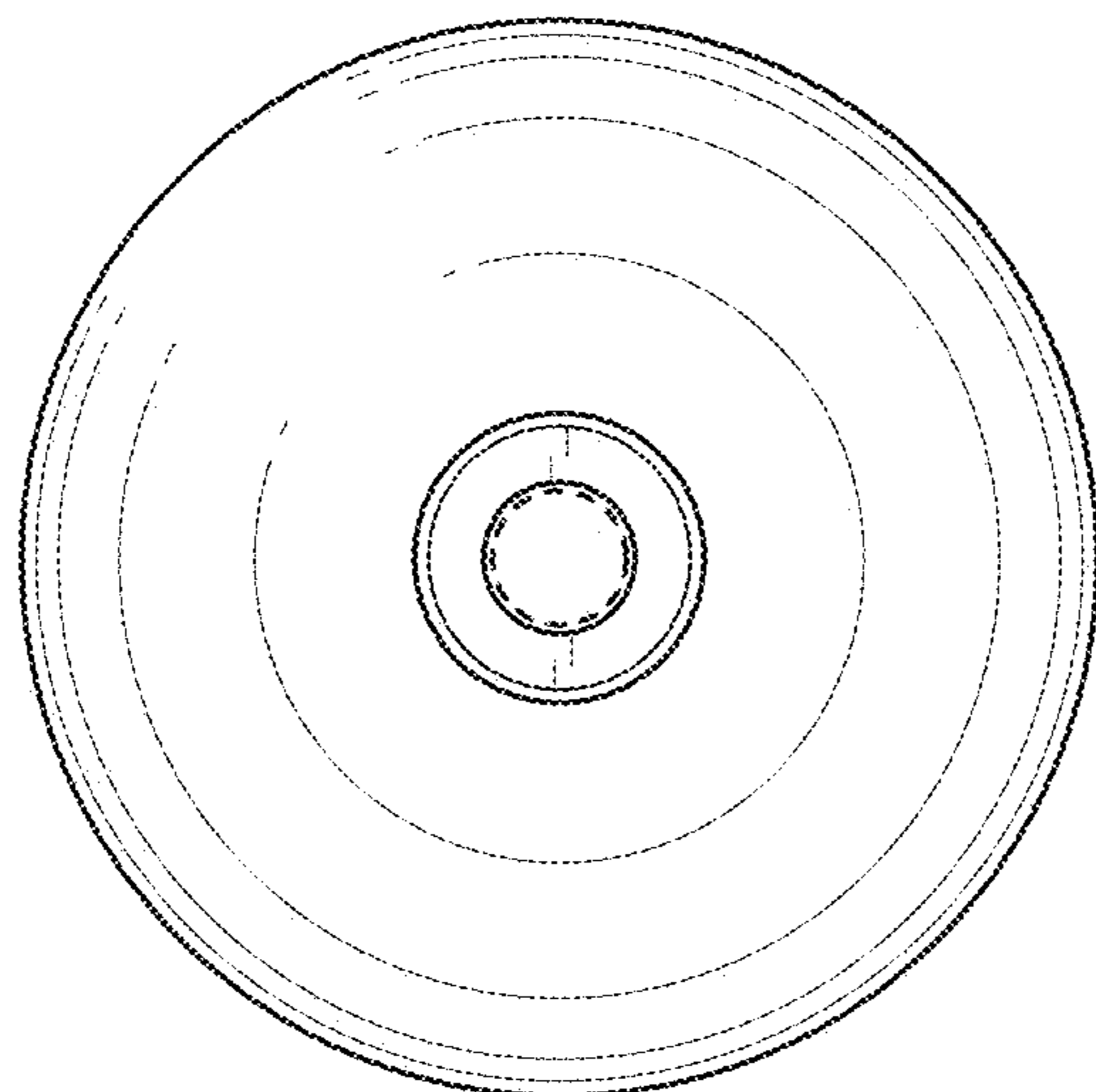


FIG. 6

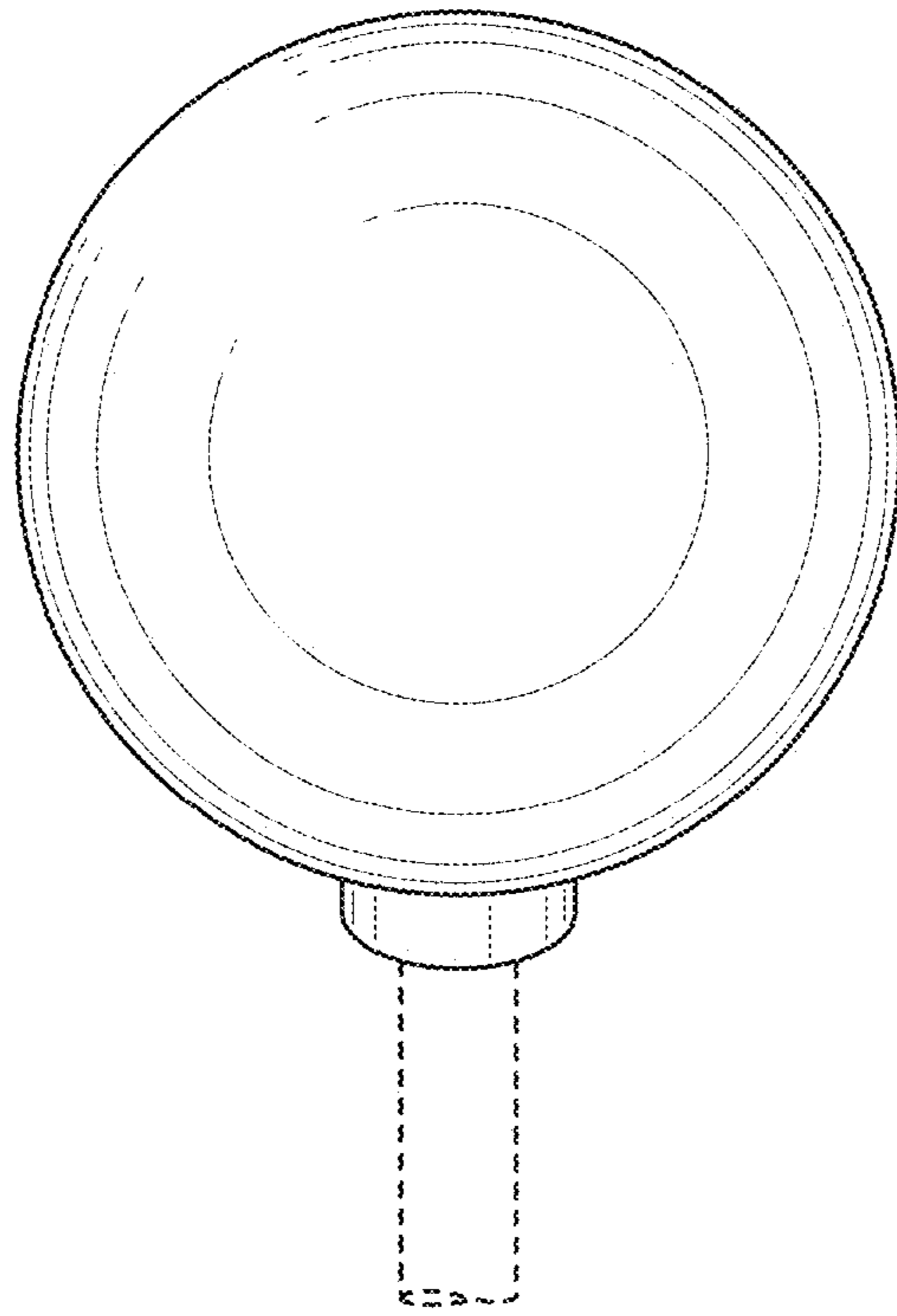


FIG. 7

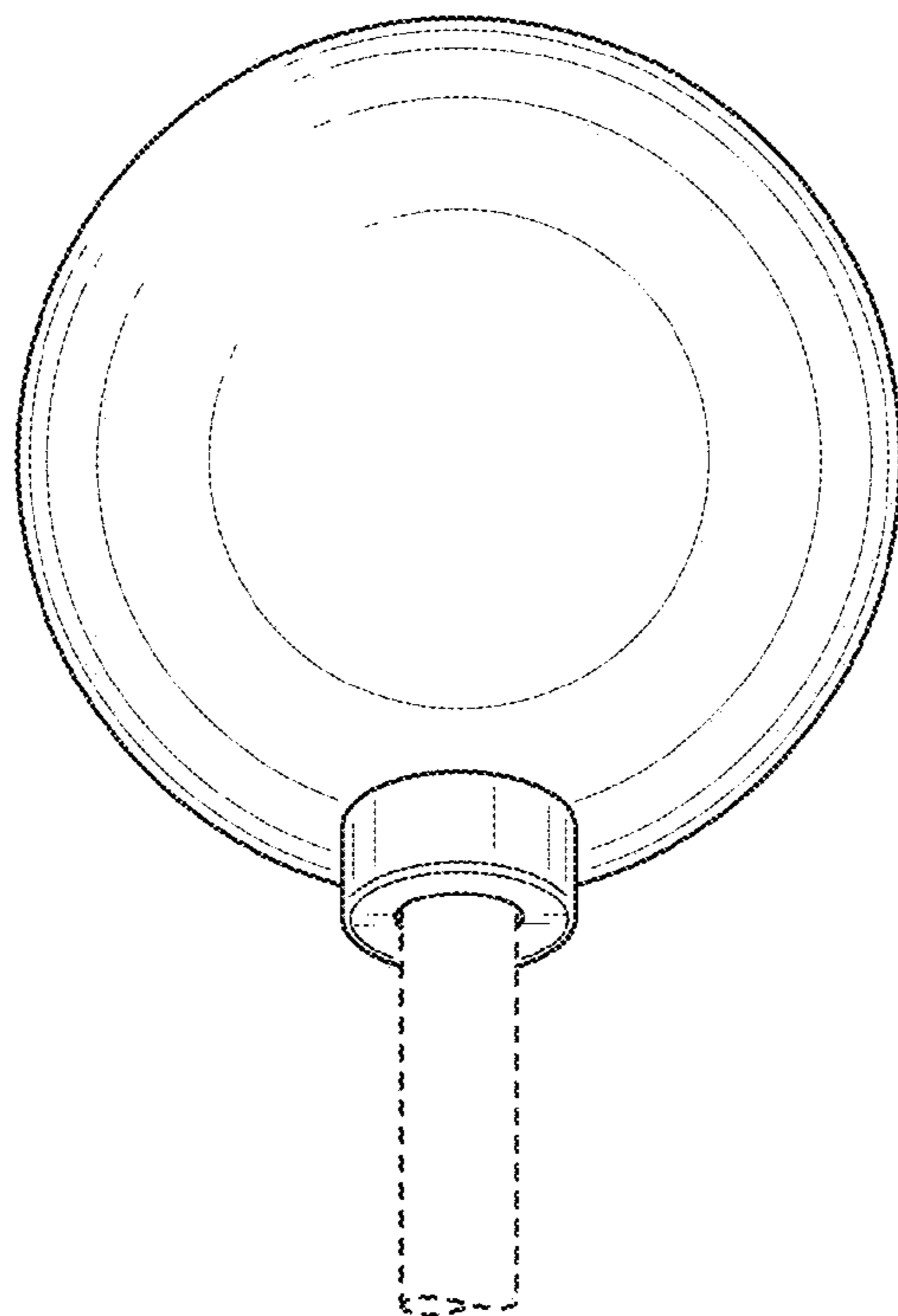


FIG. 8

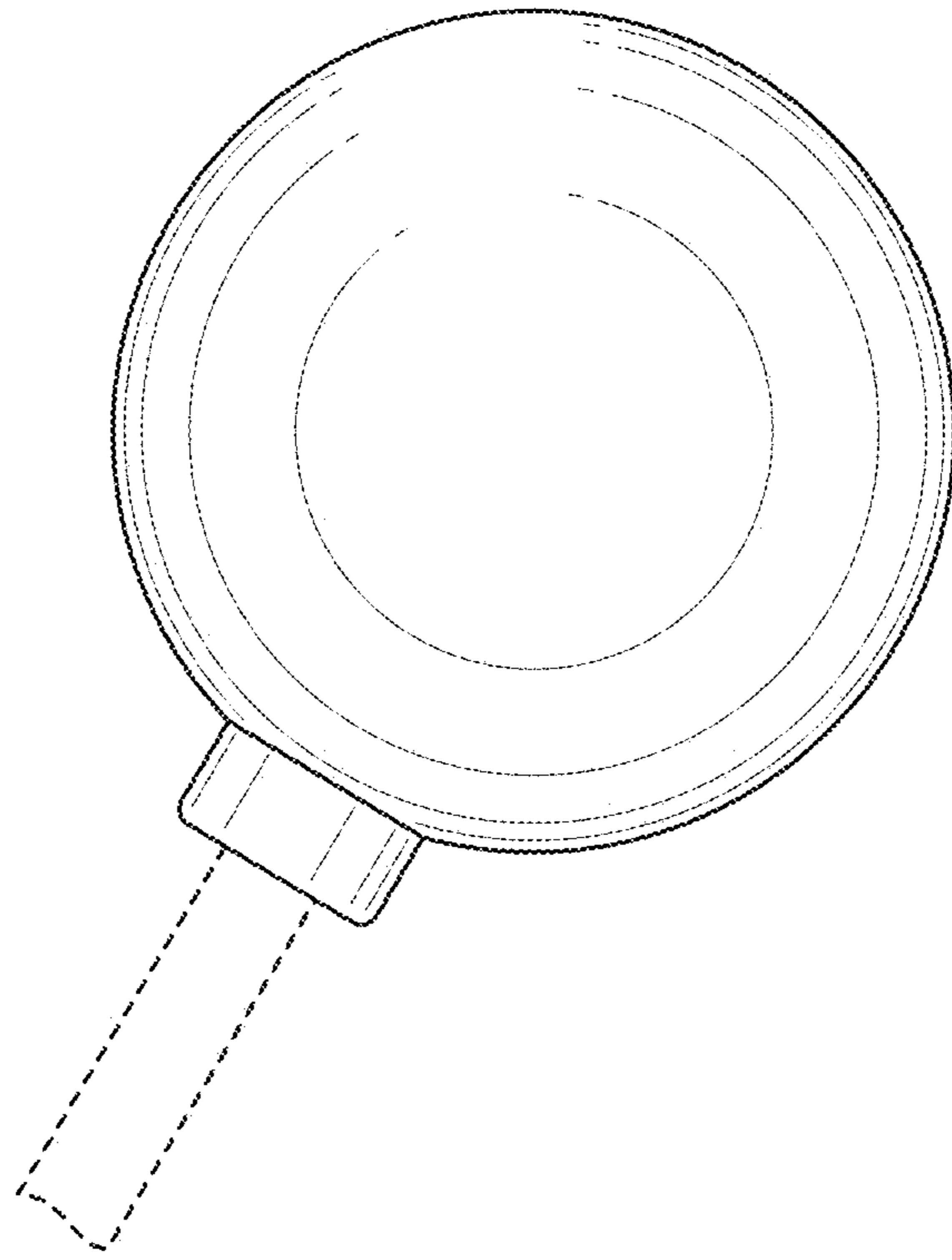


FIG. 9

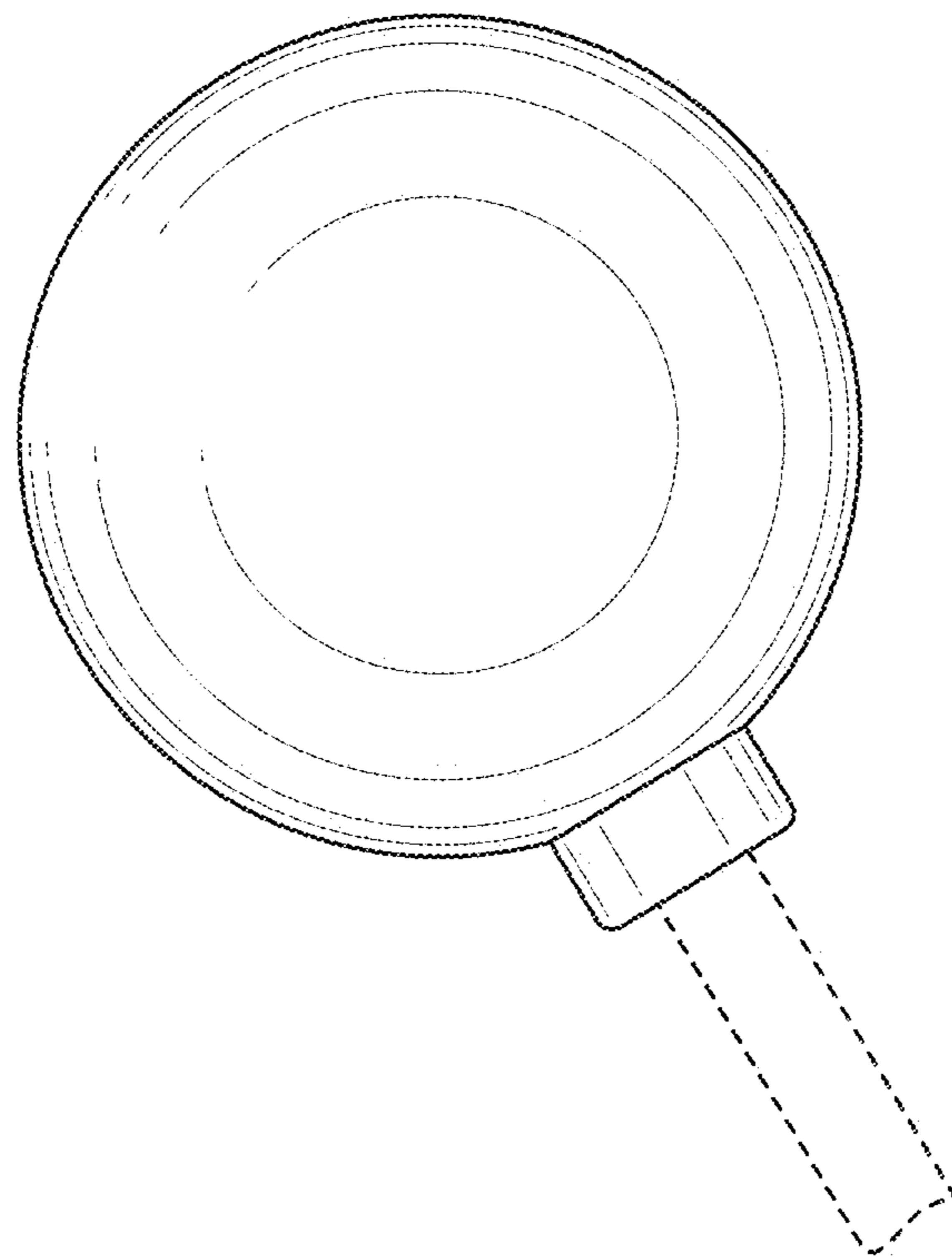


FIG. 10

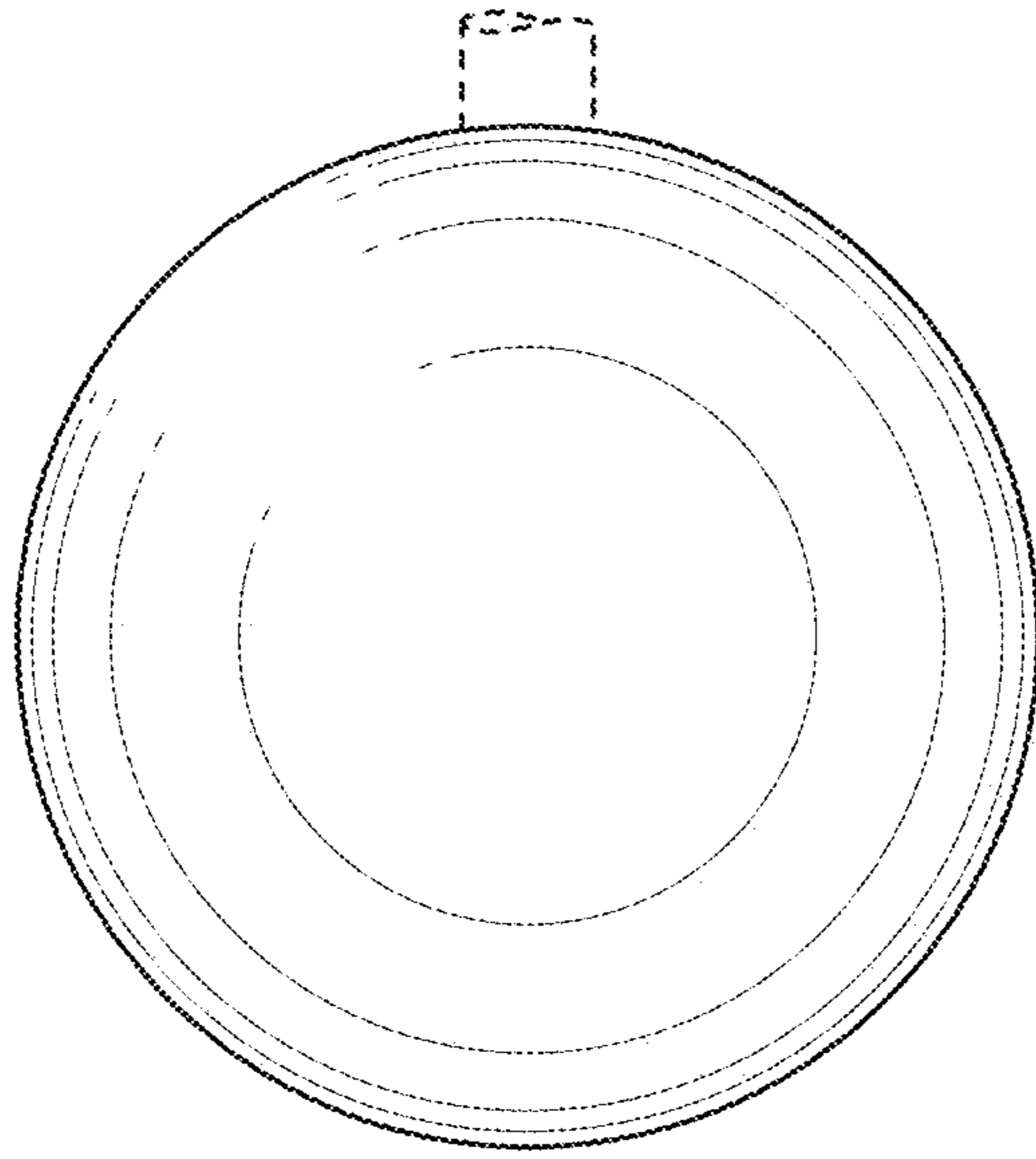


FIG. 11

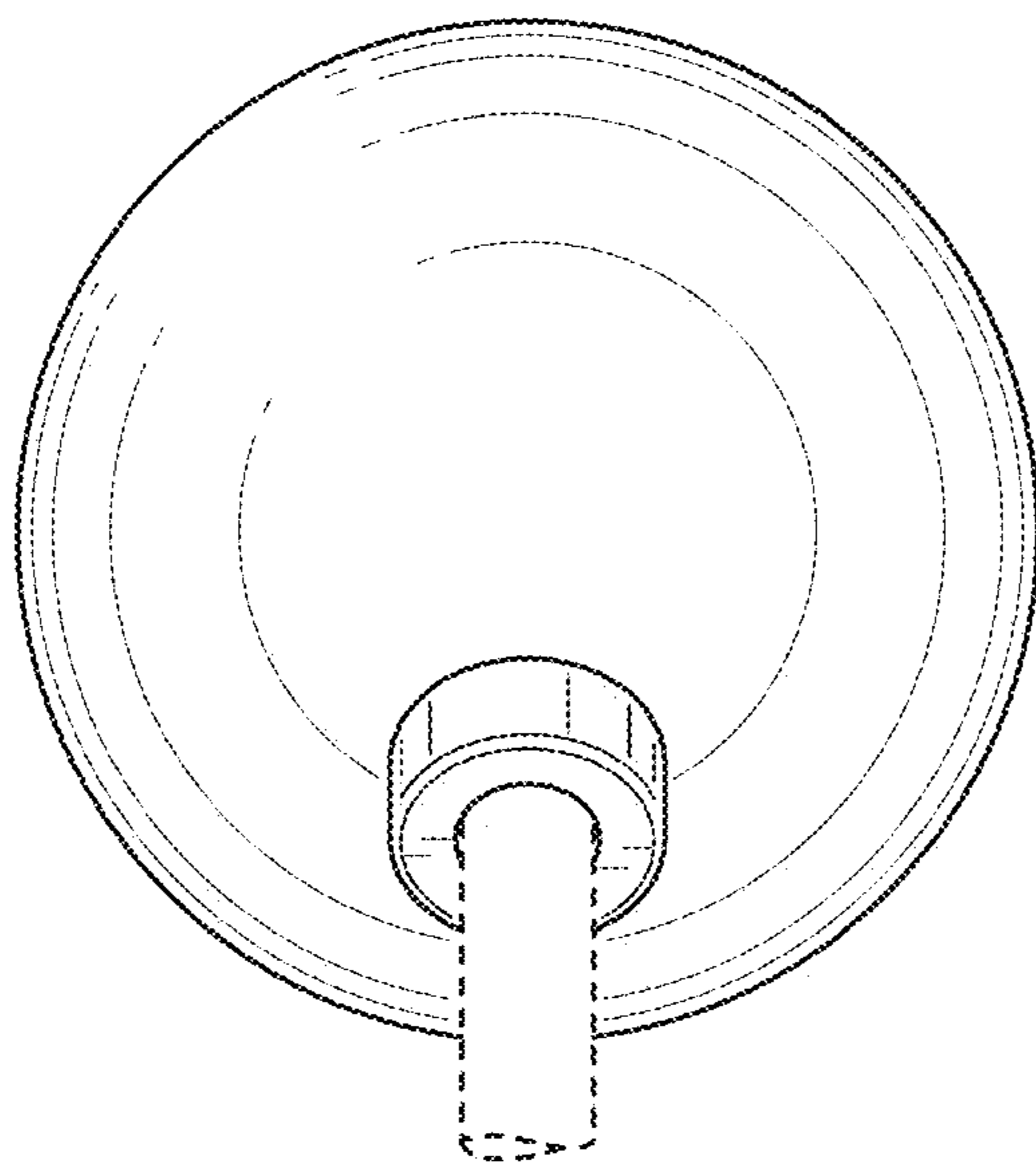


FIG. 12

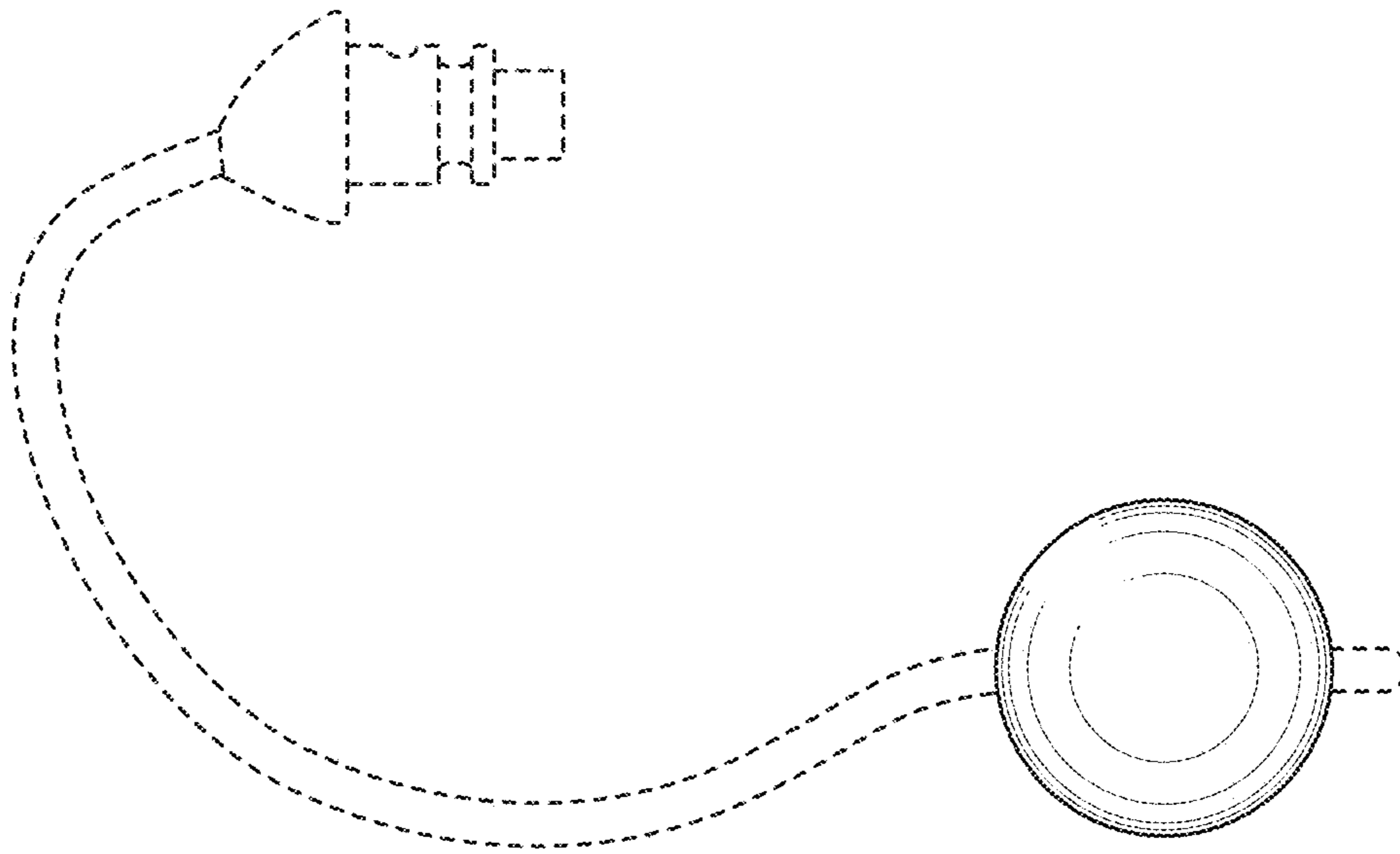


FIG. 13

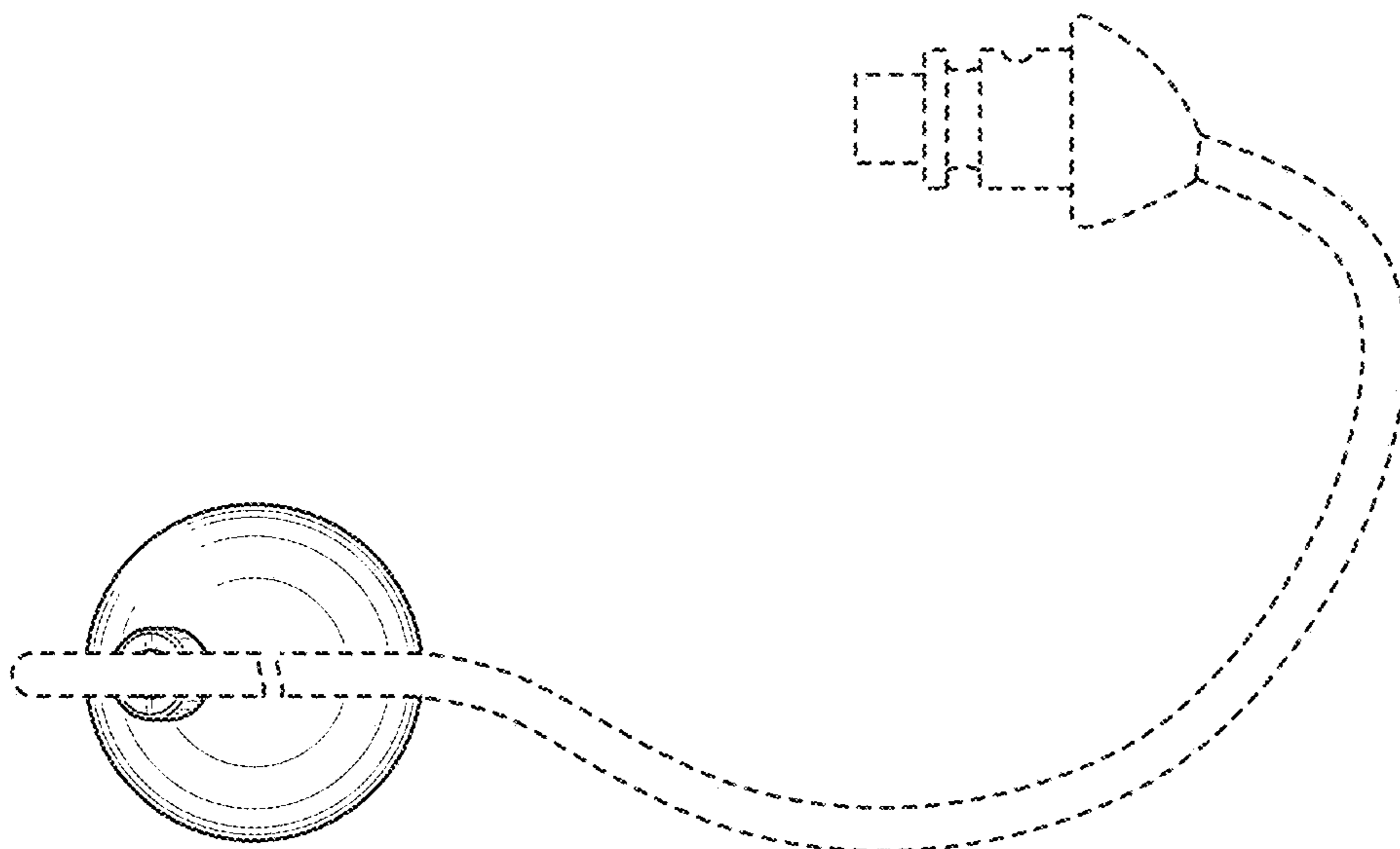


FIG. 14

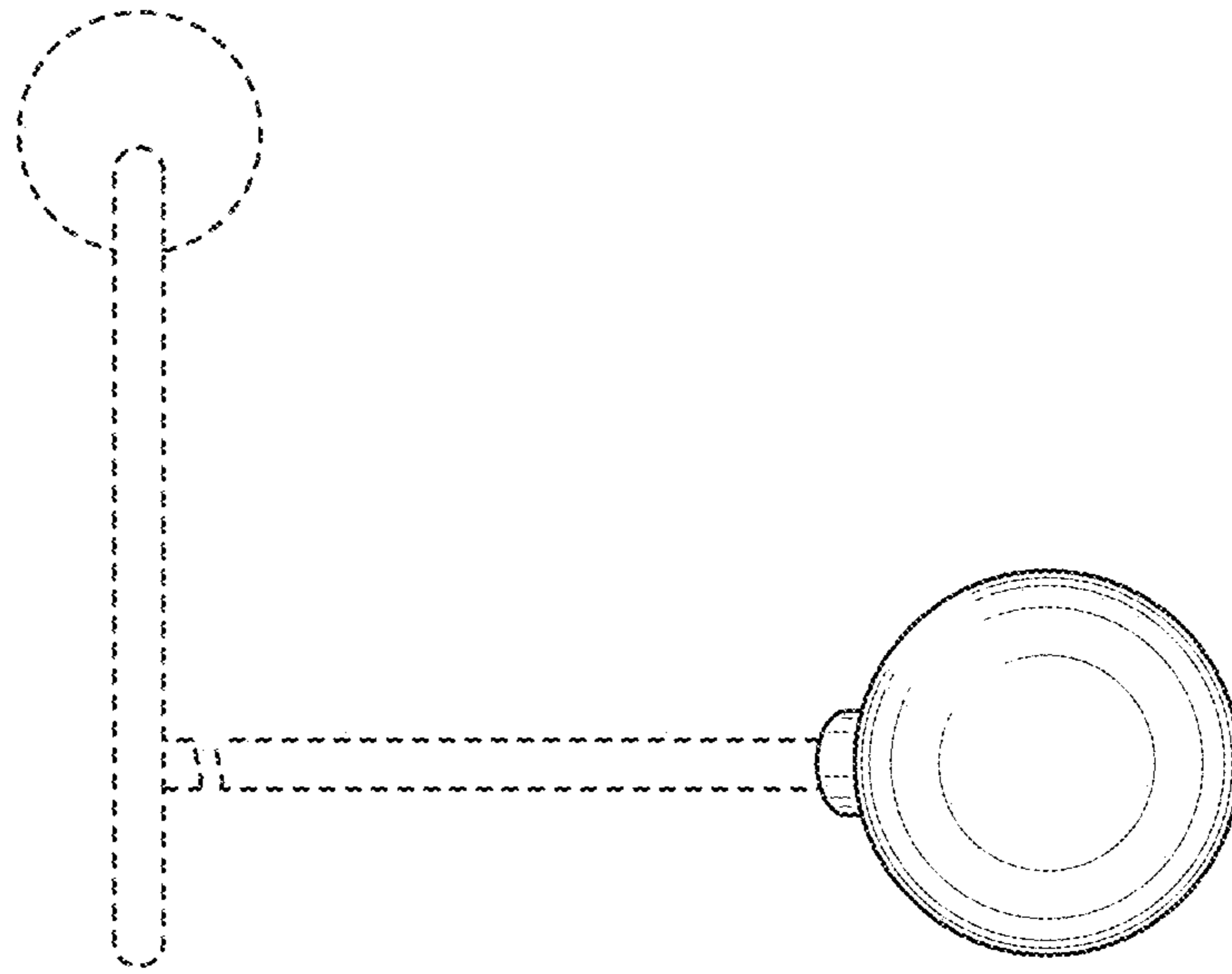


FIG. 15

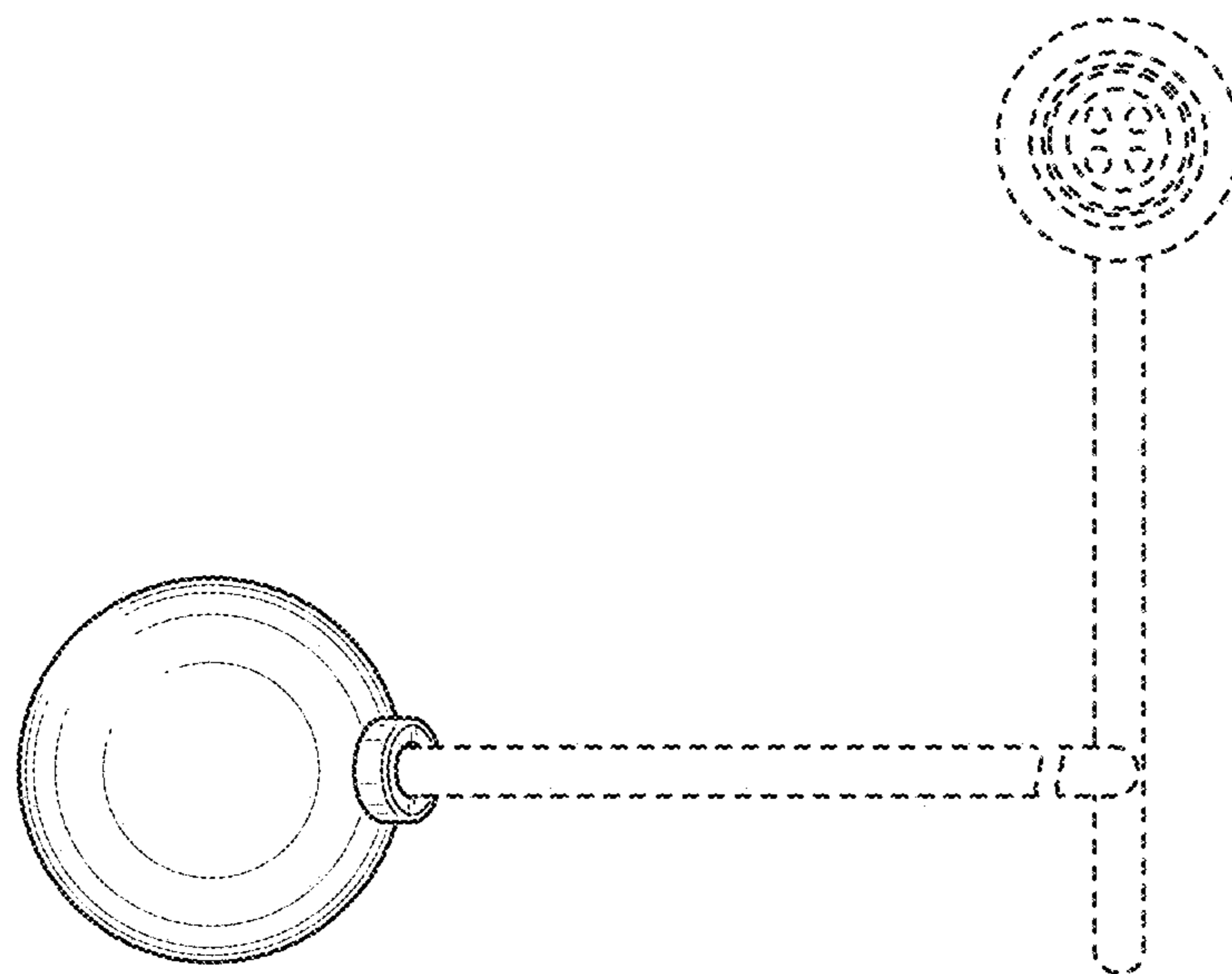


FIG. 16

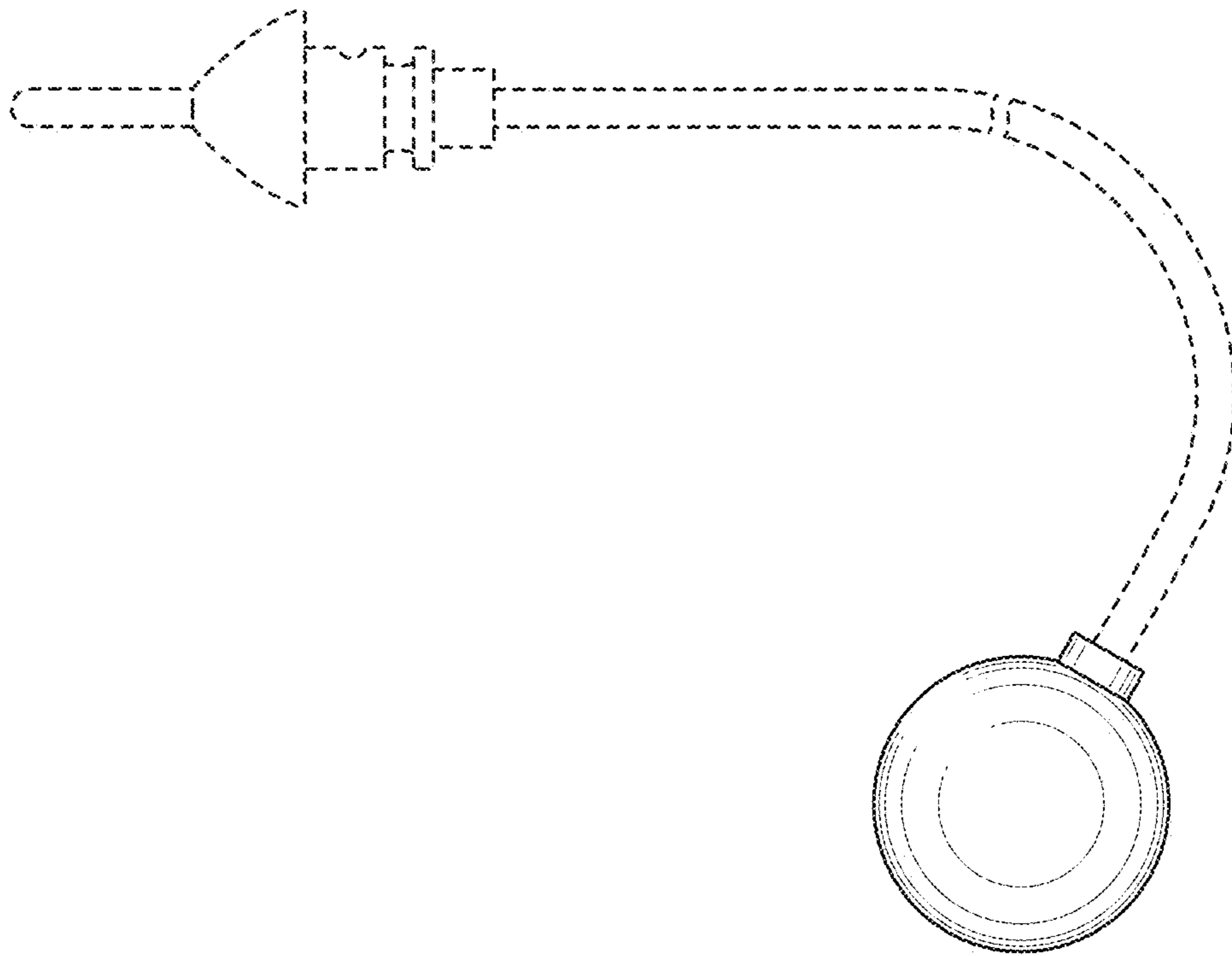


FIG. 17

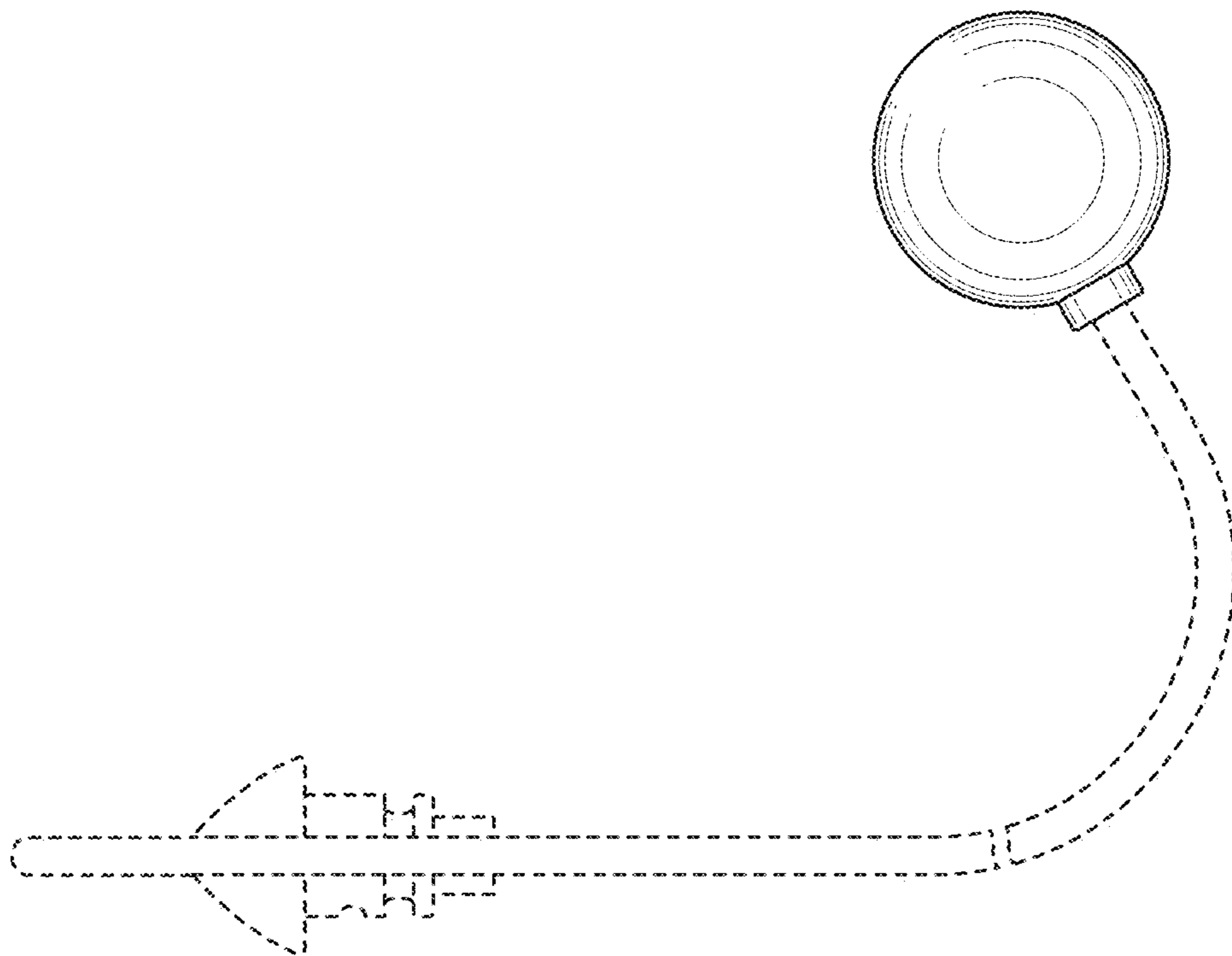


FIG. 18

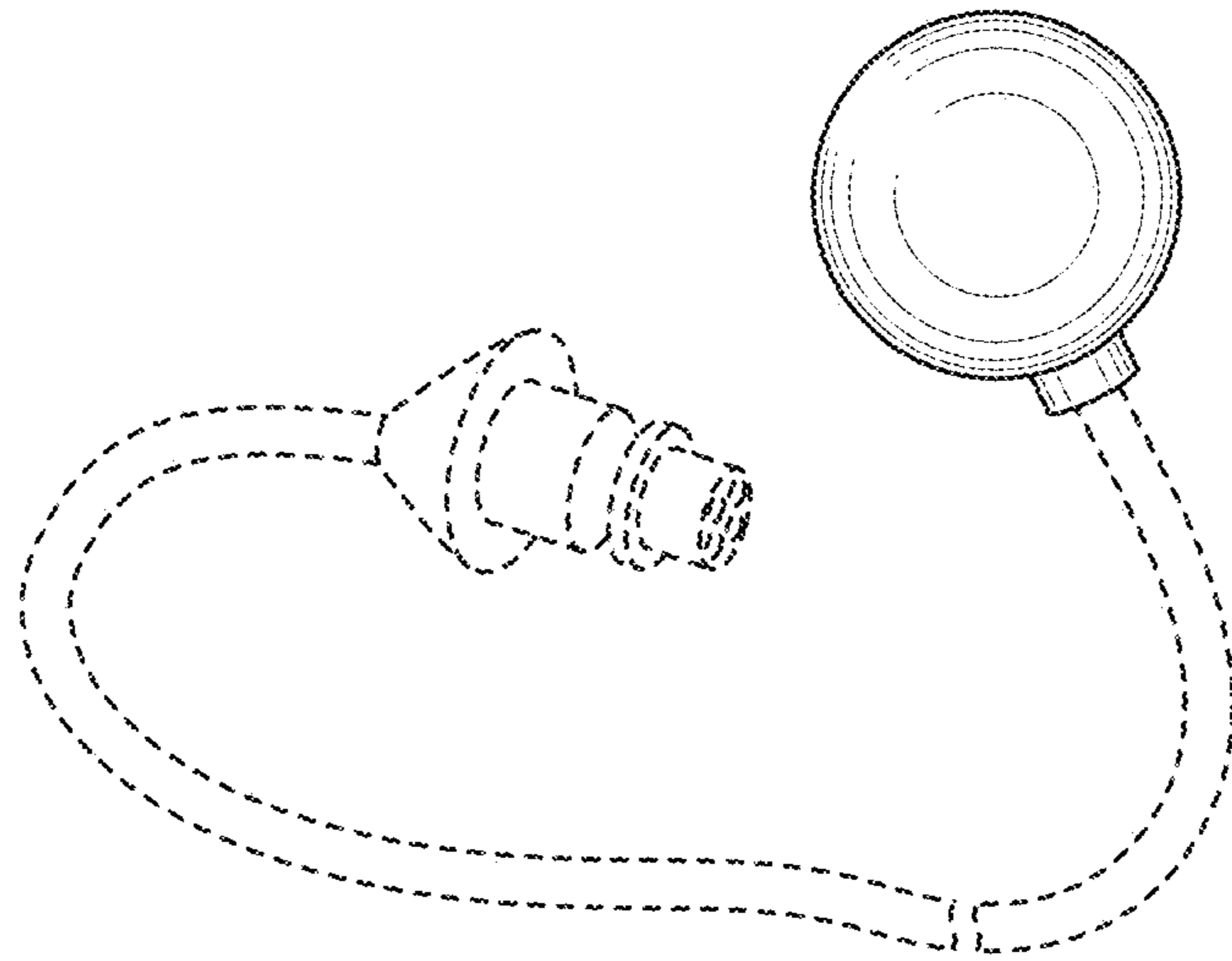


FIG. 19

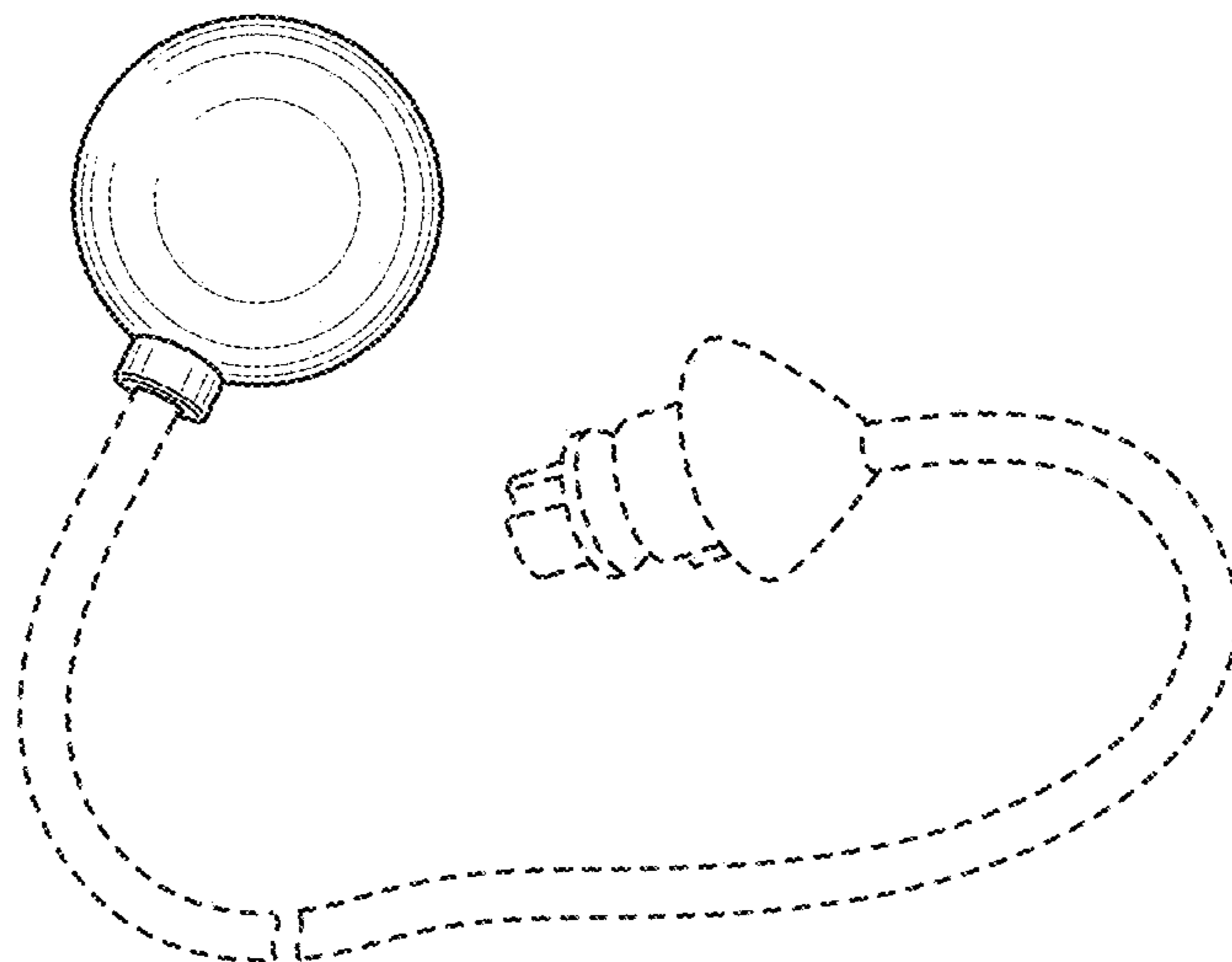


FIG. 20

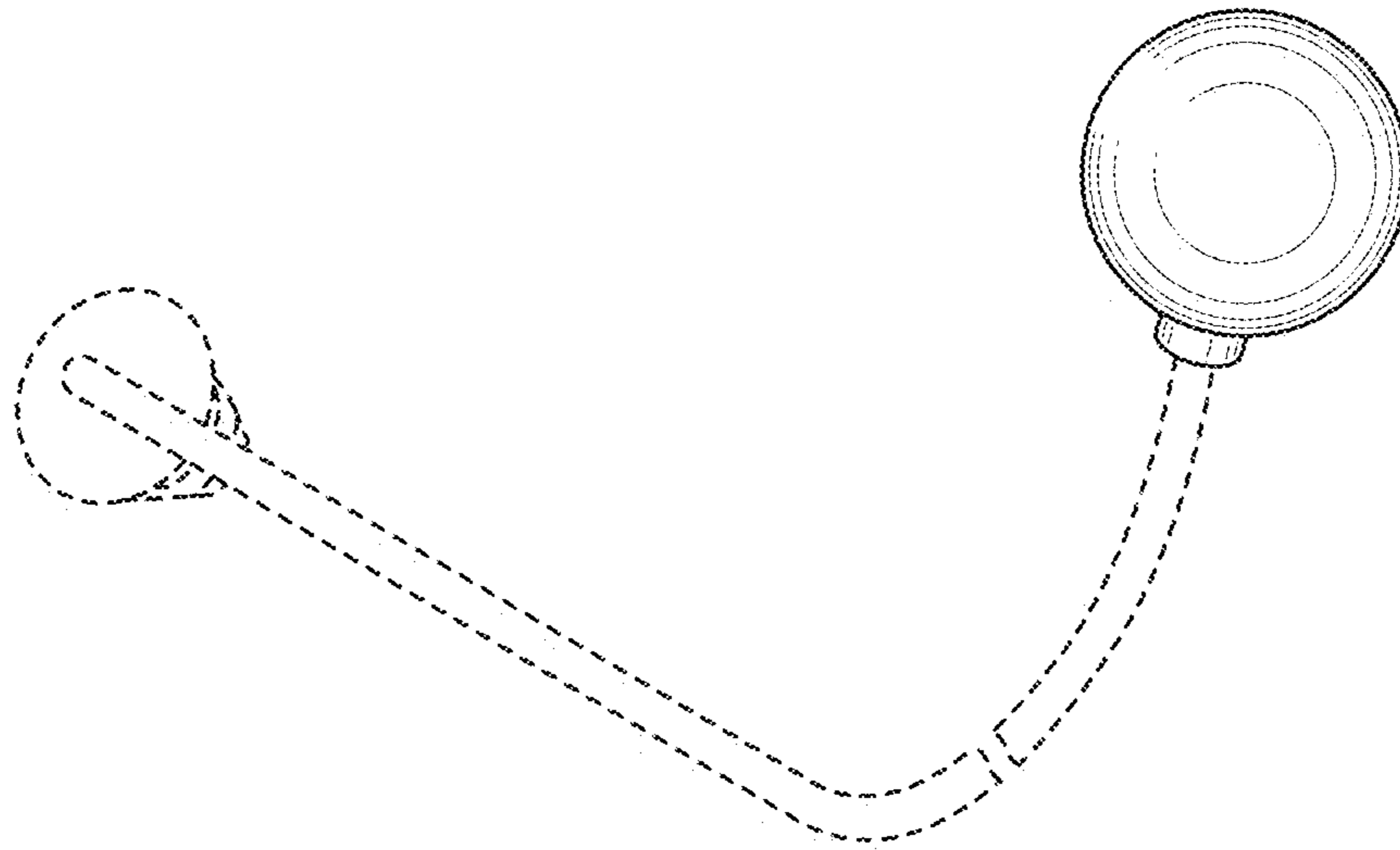


FIG. 21

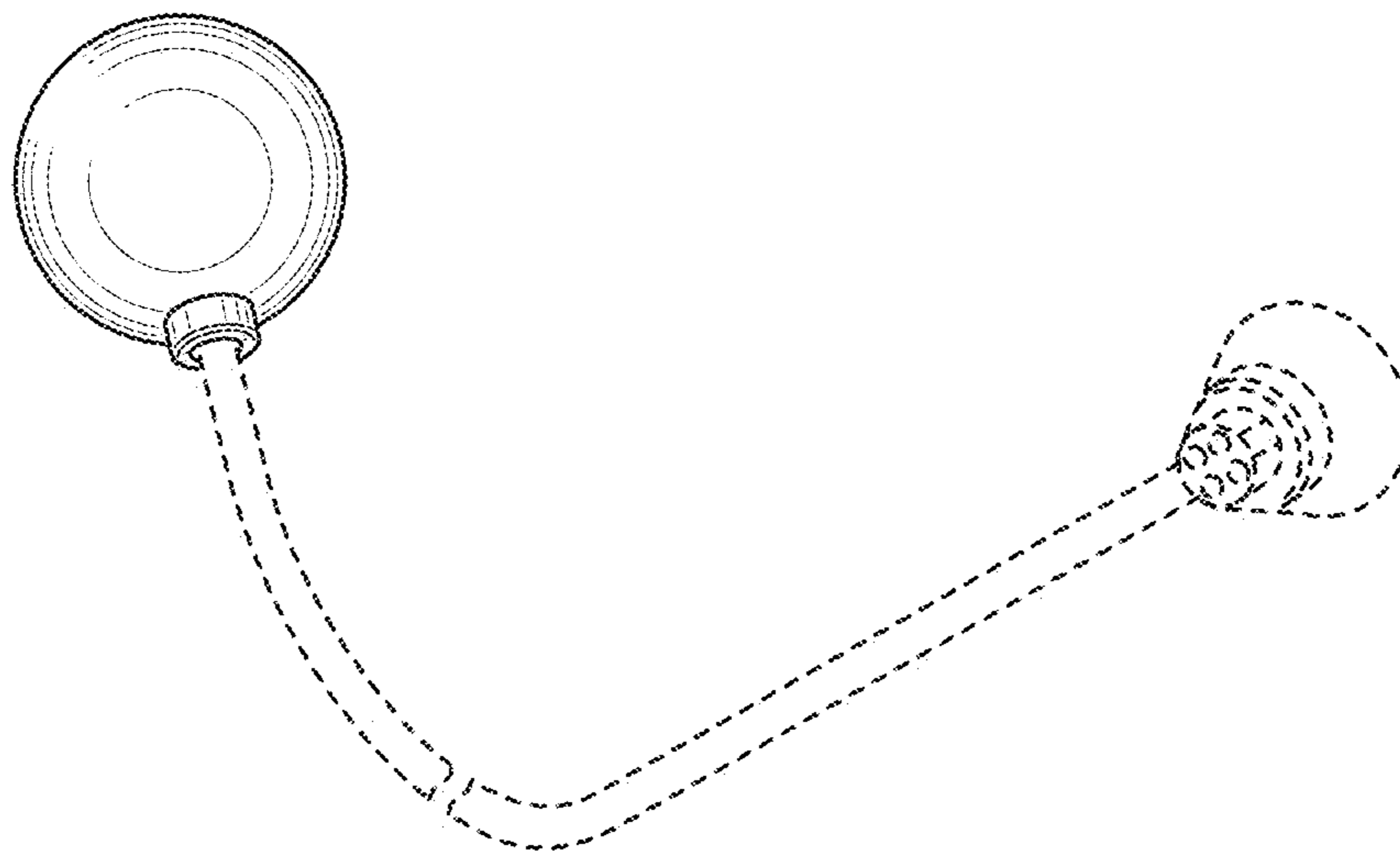


FIG. 22

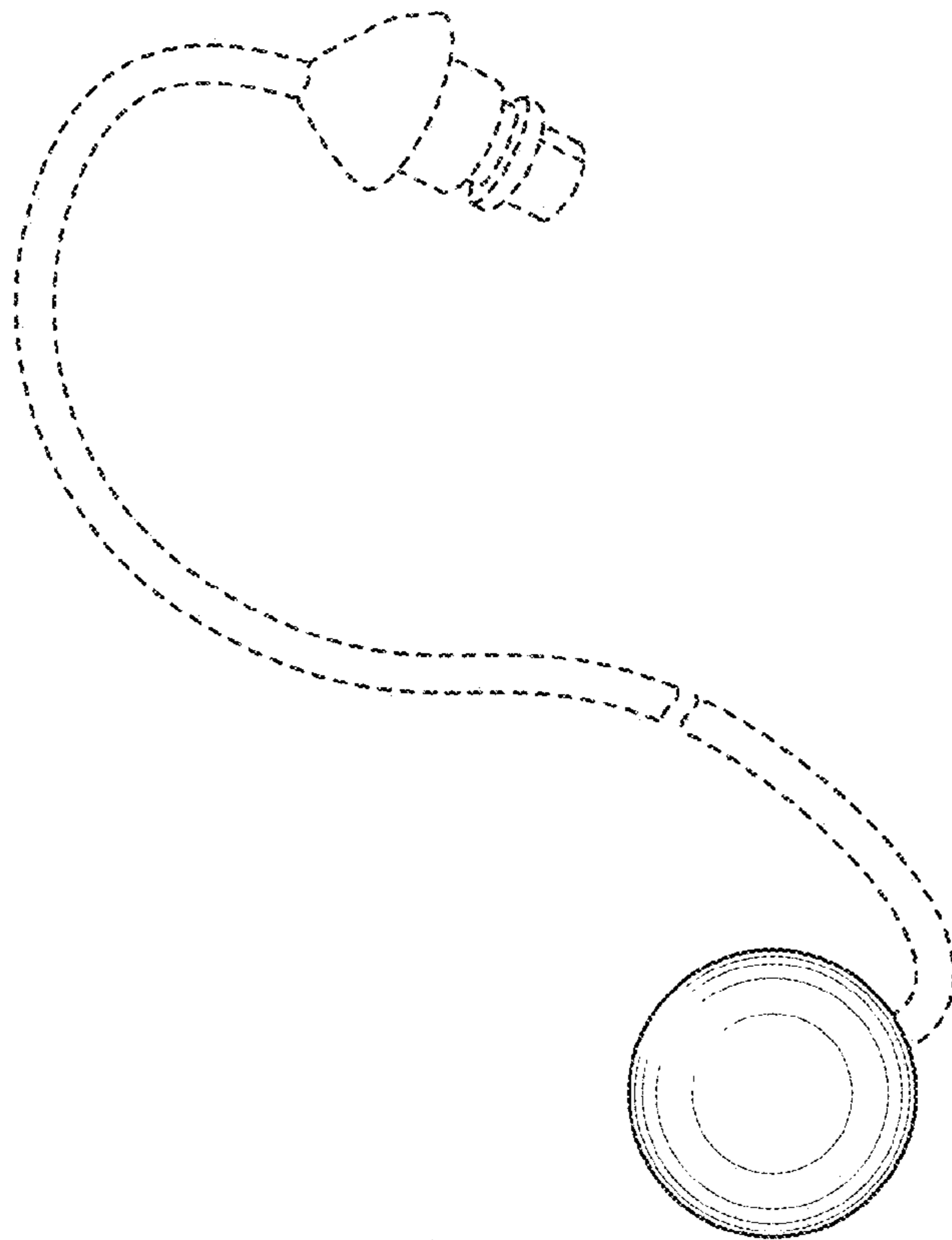


FIG. 23

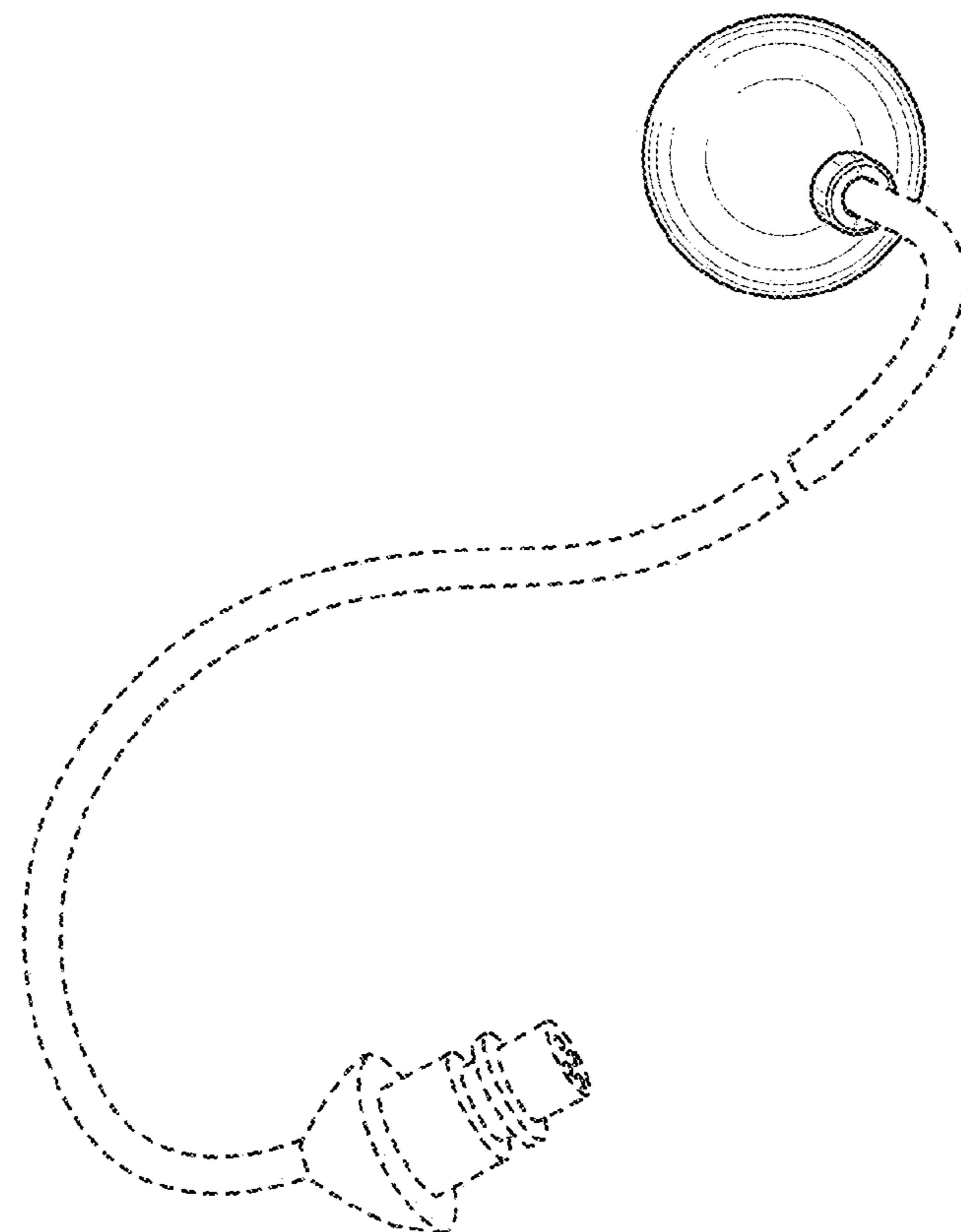


FIG. 24

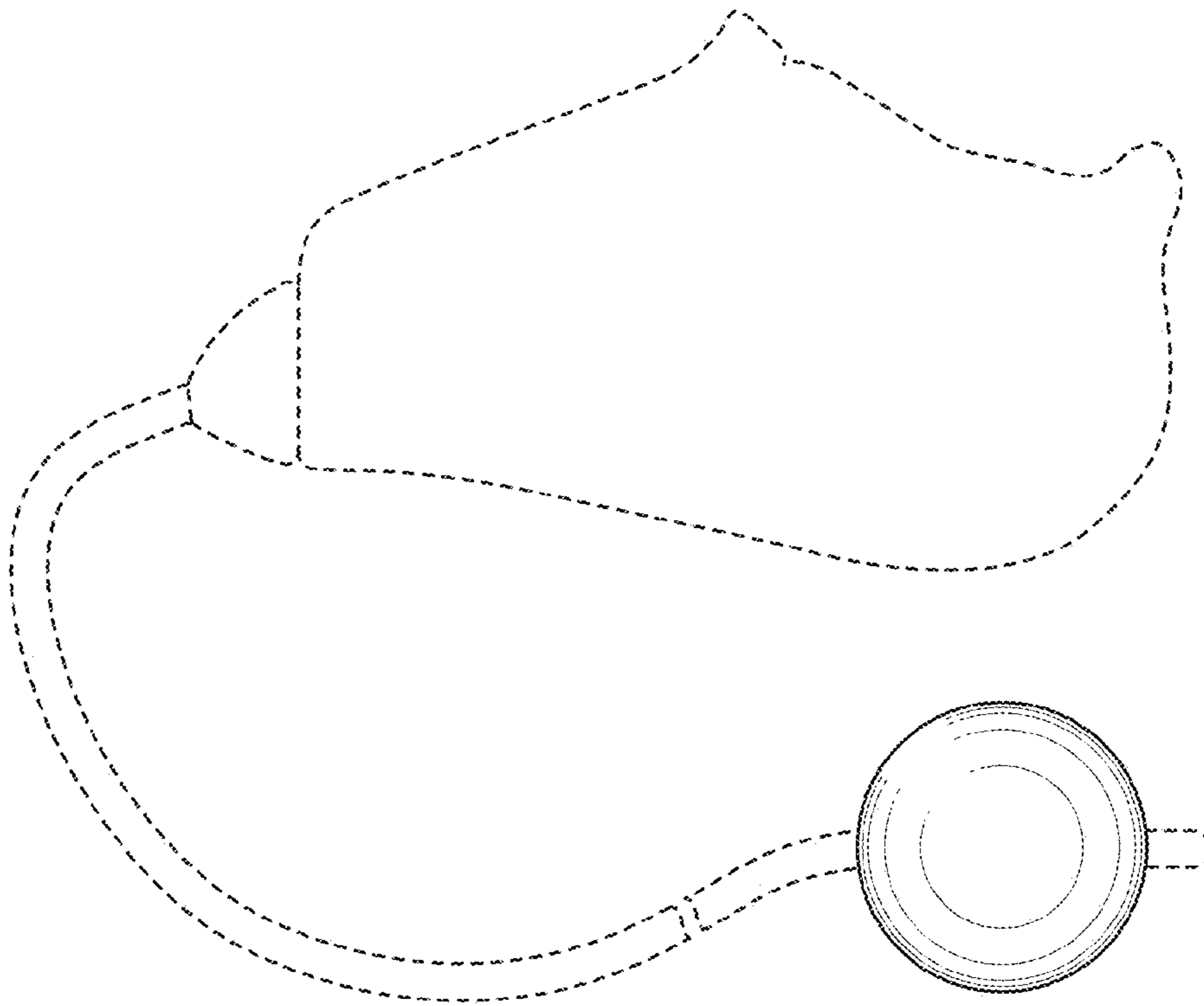


FIG. 25

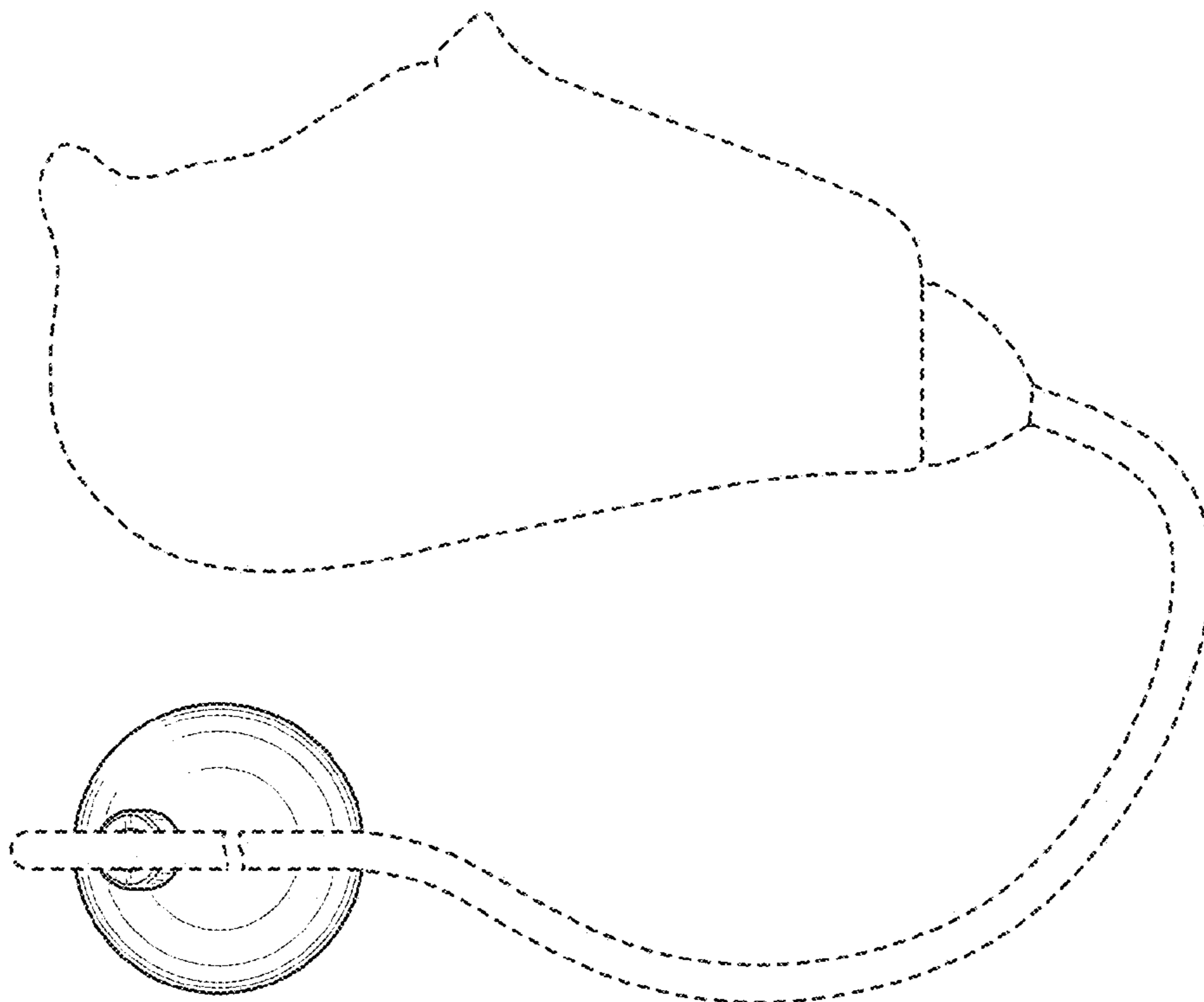


FIG. 26

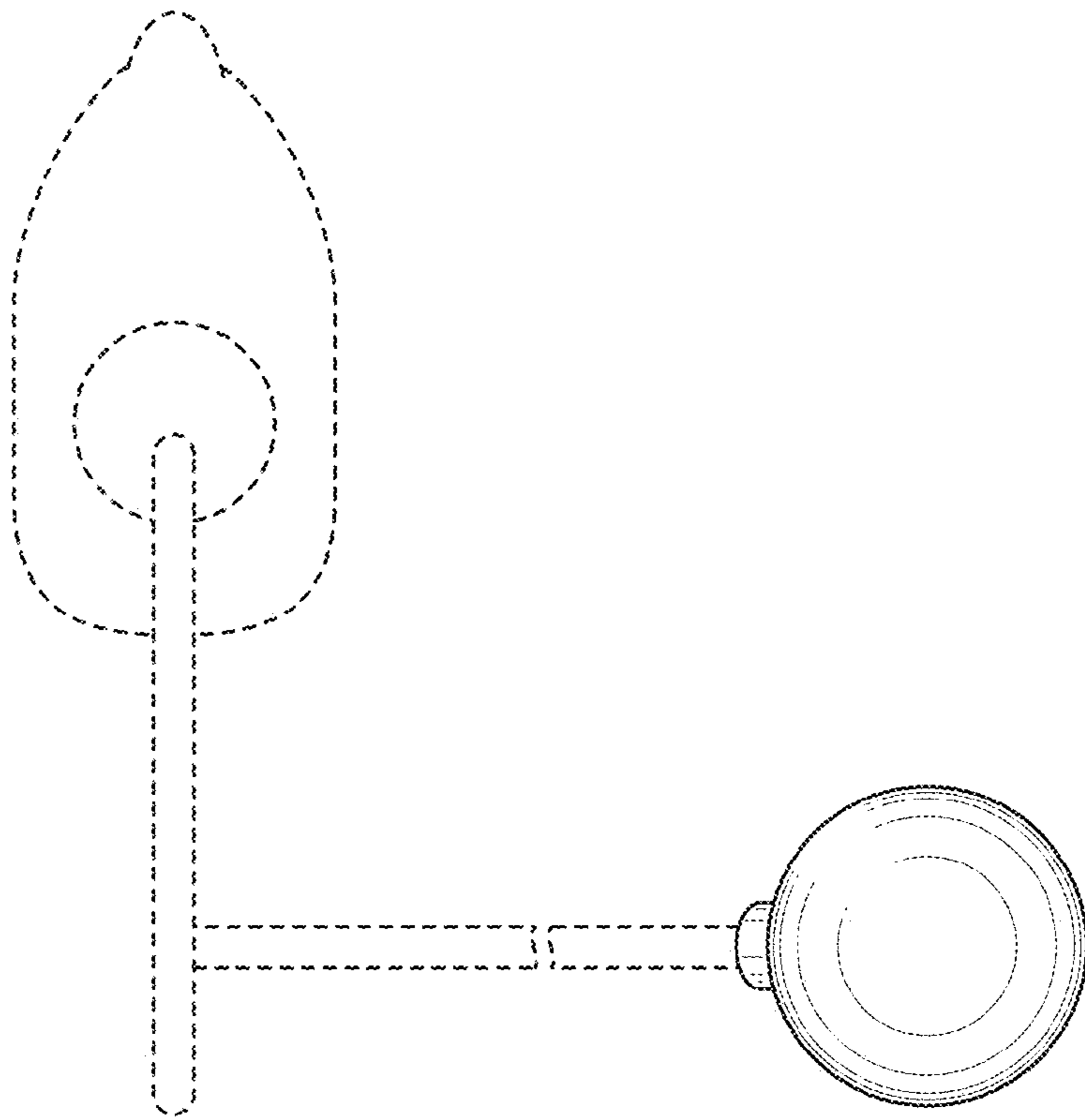


FIG. 27

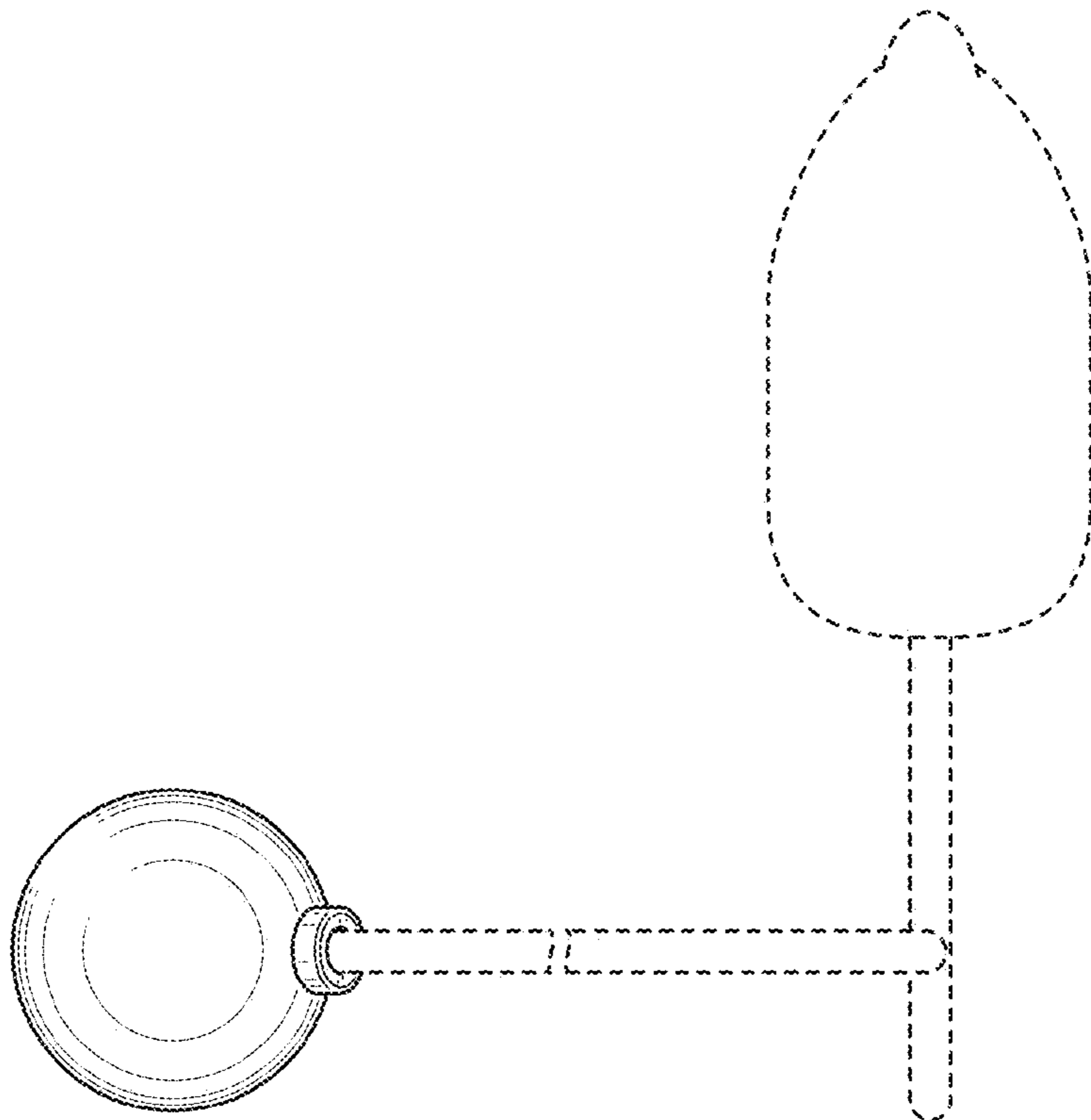


FIG. 28

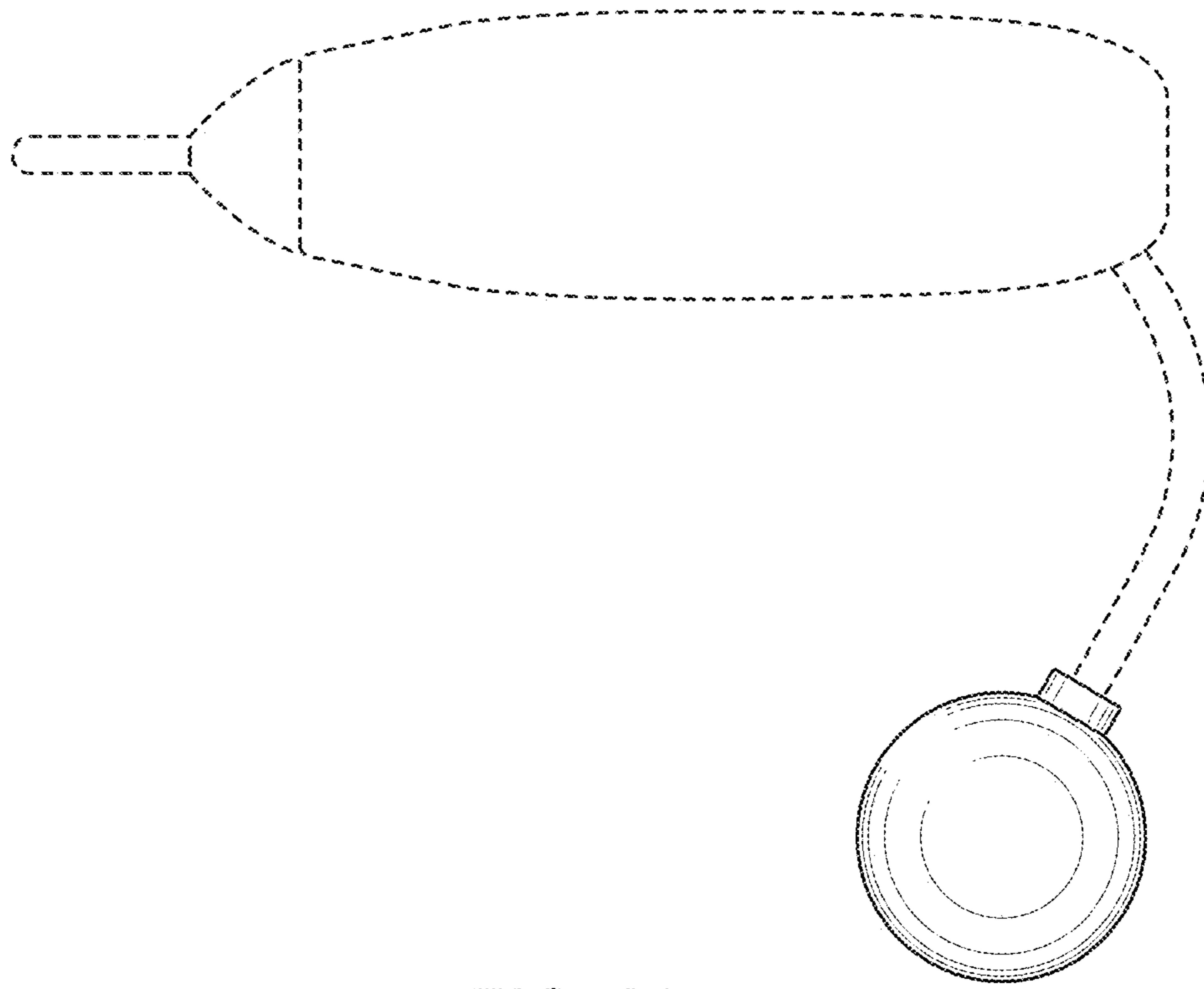


FIG. 29

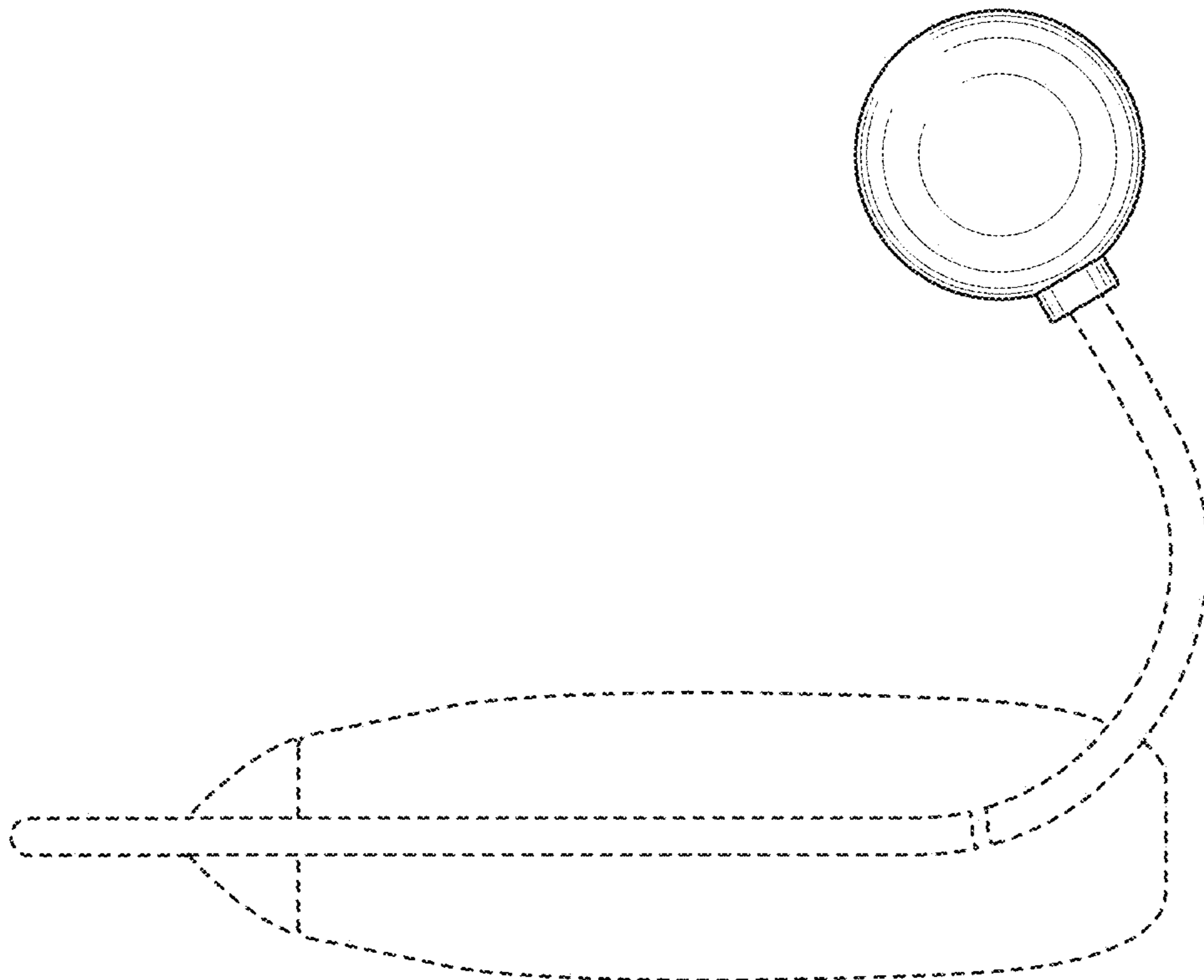


FIG. 30